

STRIKE **ARRAY** ULTRA

User Manual



Model ID: STRIKEARRAYULTRA

Edition Notes

The STRIKE Array Ultra User Manual includes a description, safety precautions, installation, programming, operation, and maintenance instructions for the STRIKE Array Ultra as of the release date of this edition.

Trademarks

Chauvet, Chauvet Professional, the Chauvet logo, STRIKE, and STRIKE Array are registered trademarks or trademarks of Chauvet & Sons, LLC (d/b/a Chauvet and Chauvet Lighting) in the United States and other countries. Other company and product names and logos referred to herein may be trademarks of their respective companies.

Copyright Notice

The works of authorship contained in this manual, including, but not limited to, all designs, text, and images are owned by Chauvet.

© Copyright 2026 Chauvet & Sons, LLC. All rights reserved.

Electronically published by Chauvet in the United States of America.

Manual Use

Chauvet authorizes its customers to download and print this manual for professional information purposes only. Chauvet expressly prohibits the usage, copy, storage, distribution, modification, or printing of this manual or its content for any other purpose without written consent from Chauvet.

Document Printing

For best results, print this document in color, on letter size paper (8.5 x 11 in), double-sided. If using A4 paper (210 x 297 mm), configure the printer to scale the content accordingly.

Intended Audience

Any person installing, operating, and/or maintaining this product should completely read through the guide that shipped with the product, as well as this manual, before installing, operating, or maintaining this product.

Disclaimer

Chauvet believes that the information contained in this manual is accurate in all respects. However, Chauvet assumes no responsibility and specifically disclaims any and all liability to any party for any loss, damage, or disruption caused by any errors or omissions in this document, whether such errors or omissions result from negligence, accident, or any other cause. Chauvet reserves the right to revise the content of this document without any obligation to notify any person or company of such revision. However, Chauvet has no obligation to make, and does not commit to make, any such revisions.

Document Revision

Go to www.chauvetprofessional.com for the latest version.

Revision	Date	Description
1	04/2026	Initial release.

TABLE OF CONTENTS

- 1. Before You Begin** 1
 - What Is Included 1
 - Claims 1
 - Text Conventions 1
 - Symbols 1
 - Safety Notes..... 2
 - FCC Statement of Compliance 3
 - Expected LED Lifespan..... 3
- 2. Introduction** 4
 - Features 4
 - Product Overview 4
 - Product Dimensions 5
- 3. Setup** 6
 - AC Power 6
 - AC Plug 6
 - Power Linking..... 6
 - Signal Connections 6
 - DMX Linking 6
 - Remote Device Management 6
 - Art-Net™ Connection 6
 - sACN Connection..... 6
 - Ethernet Connection Diagram 7
 - DMX Personalities..... 7
 - Master/Slave Connectivity..... 7
 - USB Software Update 8
 - Force Upload..... 8
 - Mounting 9
 - Orientation..... 9
 - Rigging 9
 - Procedure..... 9
 - Multi-Product Mounting 10
 - Vertical Mounting 10
- 4. Operation** 11
 - Control Panel Description 11
 - Control Options 11
 - Programming..... 11
 - Passcode 11
 - Menu Map 12
 - DMX Configuration..... 16
 - DMX Personalities..... 16
 - Starting Address..... 16
 - Network Setup..... 17
 - IP Mode..... 17
 - Universe..... 17
 - Manual IP Address..... 17
 - Subnet Mask..... 17

Virtual Color Wheel	18
Virtual Color Wheel Chart	18
Color Temperature Chart	18
DMX Channel Assignments and Values	19
Control Chart	19
Strobe Chart	19
92 Ch / 49 Ch	20
28 Ch / 26 Ch / 20-2 Ch / 20-1 Ch / 16 Ch / 14 Ch / 6 Ch / 4 Ch	22
HSV	23
Standalone Configuration	23
Pod Static	23
Virtual Color Wheel	23
Color Temperature	23
Manual Color Mixer	23
Color X-Fade Speed	23
Ring Static	23
Fixed Color	23
Manual Color Mixer	24
Auto Show	24
Settings Configuration	24
Pan Settings	24
Red Shift	24
Master/Slave	24
Dimmer Curve	24
Dimmer Speed Mode	24
Color Calibration	24
LED Frequency	25
Low Power Mode	25
Display Invert	25
Fan Mode	25
Backlight	25
Key Lock	25
Information	25
Factory Reset	25
5. Maintenance	26
Product Maintenance	26
Torque Measurements	27
Vacuum Test Measurements	27
6. Technical Specifications	28
Contact Us	29
Warranty & Returns	29

Before You Begin

1. Before You Begin

What Is Included

- STRIKE Array Ultra
- Seetronic Powerkon IP65 power cable
- Stealth filter
- 2 Omega brackets with mounting hardware
- Quick Reference Guide

Claims

Carefully unpack the product immediately and check the container to make sure all the parts are in the package and are in good condition.




If the box or the contents (the product and included accessories) appear damaged from shipping, or show signs of mishandling, notify the carrier immediately, not Chauvet. Failure to report damage to the carrier immediately may invalidate a claim. In addition, keep the box and contents for inspection.

For other issues, such as missing components or parts, damage not related to shipping, or concealed damage, file a claim with Chauvet within 7 days of delivery.

Text Conventions

Convention	Meaning
1–512	A range of values
50/60	A set of values of which only one can be chosen
Settings	A menu option not to be modified
<ENTER>	A key to be pressed on the product's control panel

Symbols

Symbol	Meaning
	Critical installation, configuration, or operation information. Not following these instructions may make the product not work, cause damage to the product, or cause harm to the operator.
	Important installation or configuration information. The product may not function correctly if this information is not used.
	Useful information.



Any reference to data or power connections in this manual assumes the use of Seetronic IP-rated cables.



The term “DMX” used throughout this manual refers to the USITT DMX512-A digital data transmission protocol.

Connection of the control signal: DMX line

- The product has XLR sockets for DMX input and output.
- Notice: This control circuit is isolated and belongs to the Class 2 data port.

The control circuit has a cumulative leakage current of less than 3.5 mA.

Safety Notes

Read all the following safety notes before working with this product. These notes contain important information about the installation, usage, and maintenance of this product.



This product contains no user-serviceable parts. Any reference to servicing in this User Manual will only apply to properly trained, certified technicians. Do not open the housing or attempt any repairs.



All applicable local codes and regulations apply to proper installation of this product.

- The luminaire is intended for professional use only.
- The luminaire should be positioned so that prolonged staring into the luminaire at a distance closer than 3.5 ft (1.07 m) is not expected.
- If the external flexible cable or cord of this luminaire is damaged, it shall be replaced by a special cord or cord exclusively available from the manufacturer or its service agent.
- The light source contained in this luminaire shall only be replaced by the manufacturer or its service agent or a similar qualified person.
- **CAUTION:**
 - This product's housing may be hot when operating. Mount this product in a location with adequate ventilation, at least 20 in (50 cm) from adjacent surfaces.
 - When transferring the product from extreme temperature environments, (e.g., cold truck to warm humid ballroom) condensation may form on the internal electronics of the product. To avoid causing a failure, allow the product to fully acclimate to the surrounding environment before connecting it to power.
 - Flashing light is known to trigger epileptic seizures. User must comply with local laws regarding notification of strobe use.
- **ALWAYS:**
 - When using an IP65-rated product in an outdoor environment, use IP65- (or higher) rated power and data cable.
 - Replace and secure IP-rated protective covers to all power, data, USB, or other ports when not in use.
 - Use a safety cable when mounting this product overhead.
 - Connect this product to a grounded and protected circuit.
- **DO NOT:**
 - Open this product. It contains no user-serviceable parts.
 - Look at the light source when the product is on.
 - Leave any flammable material within 20 cm of this product while operating or connected to power.
 - Connect this product to a dimmer or rheostat.
 - Operate this product if the housing, lenses, or cables appear damaged.
 - Submerge this product (adhere to standards for the published IP rating). Regular outdoor operation is fine.
 - Permanently install outdoors in locations with extreme environmental conditions. This includes, but is not limited to:
 - Exposure to a marine/saline environment (within 3 miles of a saltwater body of water).
 - Locations where normal temperatures exceed the temperature ranges in this manual.
 - Locations that are prone to flooding or being buried in snow.
 - Other areas where the product will be subject to extreme radiation or caustic substances.
- **ONLY** use the hanging/mounting bracket to carry this product.
- The maximum ambient temperature is 113 °F (45 °C). Do not operate this product at higher temperatures.
- The minimum ambient temperature is -4°F (-20°C). Do not operate the product at lower temperatures.
- To eliminate unnecessary wear and improve its lifespan, during periods of non-use completely disconnect the product from power via breaker or by unplugging it.
- In the event of a serious operating problem, stop using immediately.



If this Chauvet product requires service, contact Chauvet Technical Support.

Before You Begin

FCC Statement of Compliance

This device complies with Part 15 Part B of the FCC rules. Operation is subject to the following two conditions:

1. This device may not cause harmful interference, and
2. This device must accept any interference received, including interference that may cause undesired operation.

This equipment has been tested and found to comply with the limits for a Class B digital device, pursuant to Part 15 of the FCC Rules. These limits are designed to provide reasonable protection against harmful interference in a residential installation. This equipment generates uses and can radiate radio frequency energy and, if not installed and used in accordance with the instructions, may cause harmful interference to radio communications. However, there is no guarantee that interference will not occur in a particular installation. If this equipment does cause harmful interference to radio or television reception, which can be determined by turning the equipment off and on, the user is encouraged to try to correct the interference by one or more of the following measures:

- Reorient or relocate the receiving antenna.
- Increase the separation between the equipment and receiver.
- Connect the equipment into an outlet on a circuit different from that to which the receiver is connected.
- Consult the dealer or an experienced radio/TV technician for help.

Any changes or modifications not expressly approved by the party responsible for compliance could void the user's authority to operate the equipment.

Expected LED Lifespan

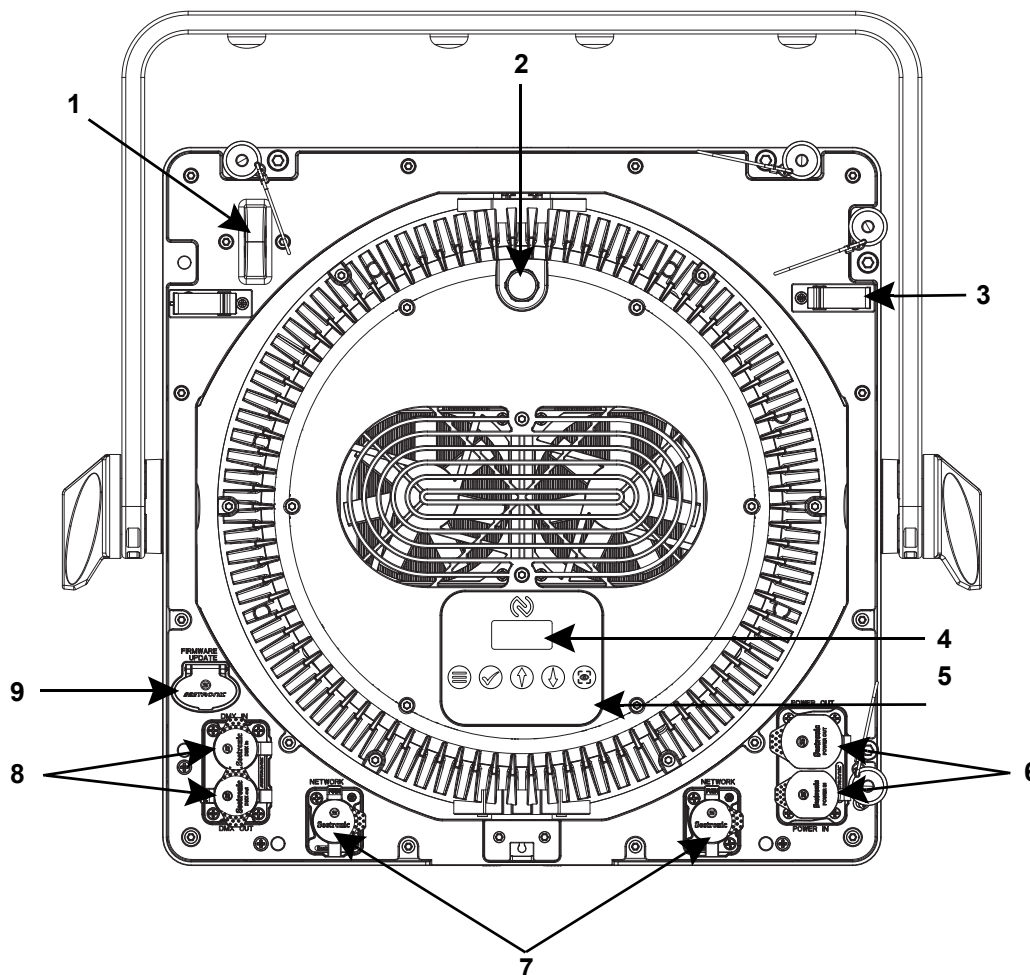
Over time, use and heat will gradually reduce LED brightness. Clustered LEDs produce more heat than single LEDs, contributing to shorter lifespans if always used at full intensity. The average LED lifespan is 40,000 to 50,000 hours. To extend LED lifespan, maintain proper ventilation around the product, and limit the overall intensity.

2. Introduction

Features

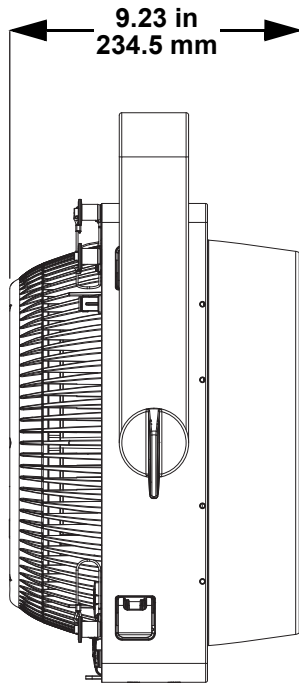
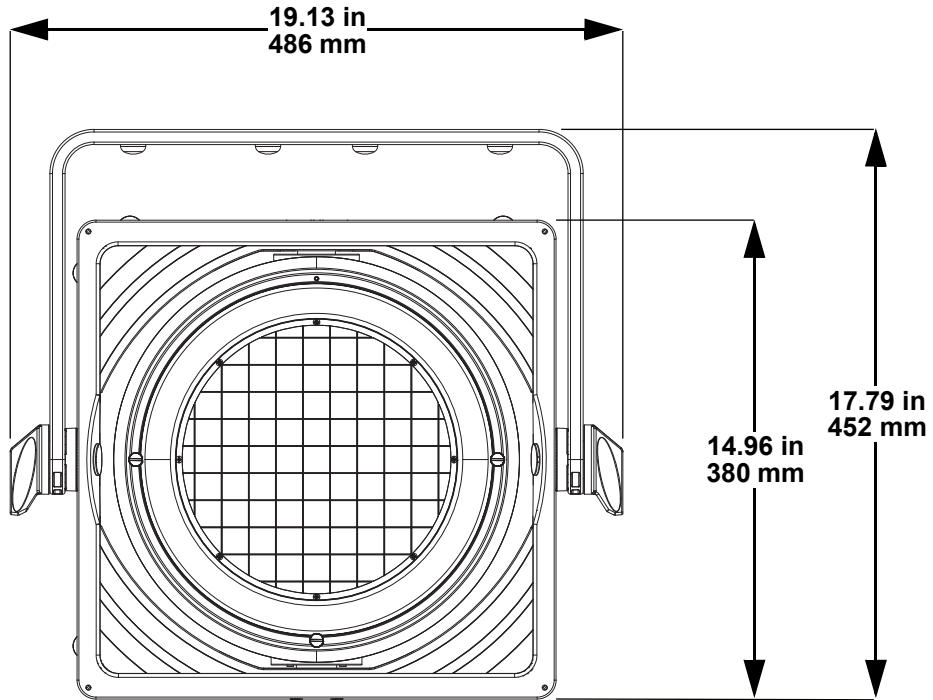
- High-power, big-aperture, full-color (RGBwWA) IP65 blinder in the STRIKE Array family
- Class-defining output for stadium-filling light in any color or high-quality white with our trademark red-shift dimming
- Motorized pan (or tilt based on mounting orientation) and RGB ring with segment control for added versatility and effects

Product Overview



#	Name	#	Name
1	Safety cable pass-through	6	Power in/out
2	Condensation valve	7	Network ports
3	Cable clip	8	5-pin DMX in/out
4	Display	9	USB port
5	Menu buttons		

Product Dimensions



3. Setup

AC Power

The STRIKE Array Ultra has an auto-ranging power supply and it can work with an input voltage range of 100 to 240 VAC, 50/60 Hz.

To determine the product's power requirements (circuit breaker, power outlet, and wiring), use the current value listed on the label affixed to the product's back panel, or refer to the product's specifications chart. The listed current rating indicates the product's average current draw under normal conditions.



- **Always connect the product to a protected circuit (a circuit breaker or fuse). Ensure the product has an appropriate electrical ground to avoid the risk of electrocution or fire.**
- **To eliminate unnecessary wear and improve its lifespan, during periods of non-use completely disconnect the product from power via breaker or by unplugging it.**



Never connect the product to a rheostat (variable resistor) or dimmer circuit, even if the rheostat or dimmer channel serves only as a 0 to 100% switch.

AC Plug

The STRIKE Array Ultra comes with a power input cable terminated with a Seetronic Powerkon A connector on one end and an Edison plug on the other end (U.S. market). If the power cable which came with the product has no plug, or if it is necessary to change the plug, use the table below to wire a plug.

Connection	Wire (U.S.)	Wire (Europe)	Screw Color
AC Live	Black	Brown	Yellow or Brass
AC Neutral	White	Blue	Silver
AC Ground	Green/Yellow	Green/Yellow	Green

Power Linking

It is possible to power link STRIKE Array Ultra products. See the table below for the current draw at each voltage and frequency:

	100 V, 60 Hz	120 V, 60 Hz	208 V, 60 Hz	230 V, 50 Hz	240 V, 50 Hz
Current Draw	10.48 A	8.54 A	4.81 A	4.34 A	4.14 A
Resting	0.37 A	0.34 A	0.33 A	0.30 A	0.30 A

Never exceed 12 A on a single circuit. Power-linking cables can be purchased separately.

Signal Connections

The STRIKE Array Ultra can receive a DMX, Art-Net™, sACN, or RDM signal. The product has 2 Seetronic Etherkon-compatible through ports and 5-pin DMX in and out ports. If using other compatible products with this product, it is possible to control each individually with a single controller.

DMX Linking

The STRIKE Array Ultra can link to a DMX controller using a 5-pin DMX connection. For more information about DMX, read the DMX primer at:

https://www.chauvetprofessional.com/wp-content/uploads/2016/06/DMX_Primer.pdf.

Remote Device Management

Remote Device Management, or RDM, is a standard for allowing DMX-enabled devices to communicate bi-directionally along existing DMX cabling. Check the DMX controller's User Manual or with the manufacturer as not all DMX controllers have this capability. The STRIKE Array Ultra supports RDM protocol that allows feedback to make changes to menu map options.

Art-Net™ Connection

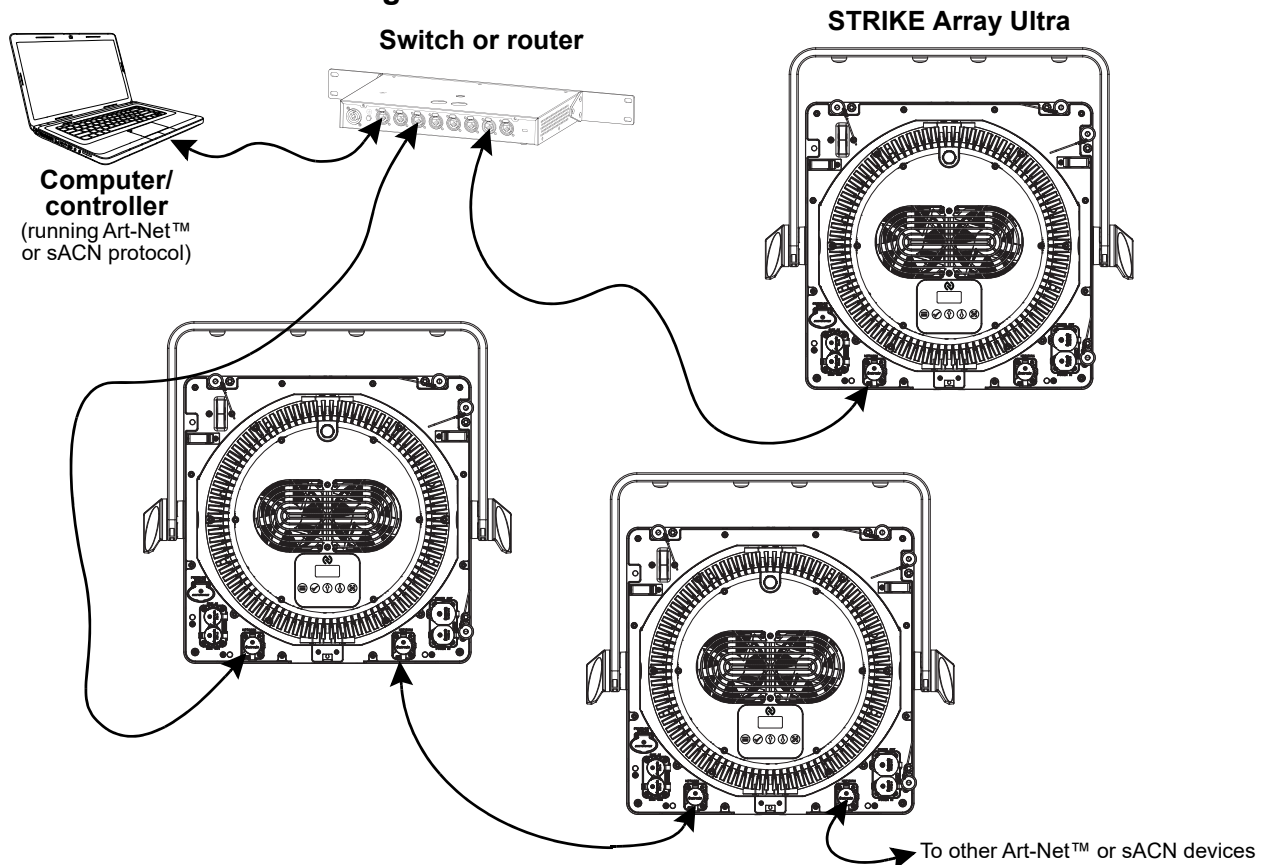
Art-Net™ is an Ethernet protocol that uses TCP/IP which transfers a large amount of DMX512 data using an ethernet connection over a large network. An Art-Net™ protocol document is available from www.chauvetprofessional.com.

Art-Net™ designed by and copyright Artistic Licence Holdings Ltd.

sACN Connection

Also known as ANSI E1.31, streaming ACN is an Ethernet protocol that uses the layering and formatting of Architecture for Control Networks to transport DMX512 data over IP or any other ACN compatible network.

Ethernet Connection Diagram



The three LED indicators in between the Ethernet through ports indicate a connection to a network and activity on that network. They do not indicate whether or not the Maverick Force s Profile is receiving a signal from a controller.

DMX Personalities

The STRIKE Array Ultra uses a 5-pin DMX data connection for its 11 DMX personalities, ranging from **6 Ch** to **92 Ch**.

- Refer to the [Operation](#) chapter to learn how to configure the STRIKE Array Ultra to work in these personalities.
- The [Control Channel Assignments and Values](#) section provides detailed information regarding the DMX personalities.



For information about DMX standards, Master/Slave connectivity, or the DMX cables needed to link this product to a DMX controller, download the DMX Primer from the Chauvet website: www.chauvetprofessional.com.

Master/Slave Connectivity

The Master/Slave mode allows an STRIKE Array Ultra (the master) to control one or more STRIKE Array Ultra products (the slaves) without a DMX controller. One STRIKE Array Ultra becomes the master when running an auto program or in Static mode.

Each slave's control panel must be configured to operate in Slave mode. During Master/Slave operation, the slaves will operate in unison with the master.



DO NOT connect a DMX controller to products operating in Master/Slave mode. The DMX controller signals may interfere with the signals from the master.



- The [Operation](#) section of this manual provides detailed instructions on how to configure the master and slaves.
- For more information about DMX standards or the DMX cables needed to link this product to a DMX controller, download the DMX primer from the Chauvet website: www.chauvetprofessional.com.

USB Software Update

The STRIKE Array Ultra allows for software updates with a USB device using the built-in USB port. To update the software using a USB flash drive, do the following:

1. Power on the product, and plug the flash drive into the USB port.
2. Once the flash drive has been detected, the message “**Upgrade Firmware**” will be displayed. Press <ENTER>. If a different message appears on the display, search for the updated software in the main menu (**Update Firmware**) and select from **Only This Unit**, **Multiple Fixture**, **Other Fixture Type**, or **Fixture to Fixture**. A list of the updated software files will be displayed.
3. Select the file that needs to be uploaded. The message “**Are you sure?**” will be displayed. Press <ENTER>.



If the selected file is incorrect, the upgrade will fail, and the display will go back to the main interface. Repeat steps 1–3 using the correct file.

4. If the selected file is correct, the upgrade will start. DO NOT turn off the power or disconnect the USB during the process. USB update can take several minutes to complete.
5. When the update is completed, the fixture will automatically reboot.
6. Go to Fixture Information on the product’s menu map and confirm the firmware revision.
7. When the boot-up process is finished, restart the product.



- Place the .chl file in the root directory of the USB drive.
- The product’s USB port supports up to 32GB capacity and only works with FAT32 file format.



Turning off the power, removing the USB, or not setting the fixture to the correct protocol during the update can cause partial or total firmware failure in the targeted fixture(s). Please refer to [Force Upload](#) section to fix firmware failure issues.

Force Upload

A Force Upload is done whenever a software update fails due to accidental removal of the USB flash drive, incorrect control protocol, or loss of power during a regular software update process.



- **A Force Upload process requires a target fixture (the fixture that needs a Force Upload and a main fixture (the fixture that controls the upload process).**
- **The Force Upload process can only be done one target fixture at a time.**

To do a Force Upload, follow the instructions below:

1. Link the target fixture to the main fixture via a DMX 5-pin connection. Ensure that the target fixture is turned off.
2. Turn on the main fixture and set its protocol to **DMX512**.
3. Plug the flash drive into the USB-C port of the main fixture.
4. Go to **Upgrade** on the menu map.
5. Choose between **Multiple Fixture** and **Other Fixture Type**. Press <ENTER>.
 - **Multiple Fixture:** Both the target fixture and main fixture are from the same product line (e.g., 2 STRIKE Array Ultra fixtures).
 - **Other Fixture Type:** The target fixture and main fixture are from different product series (e.g., a STRIKE Array Ultra as the target fixture and a Maverick Silens 2 Profile as the main fixture).
6. Select the file that needs to be uploaded. The message “**Are you sure?**” will appear on the screen. Press <ENTER>. Turn on the target fixture within 1–2 seconds of pressing <ENTER>. The display on the target fixture should remain off.
 - a. The main fixture will show the update progress (0–100%).
 - b. The target fixture’s display will turn on, and a notification “<UPDATE>” will appear on the screen.



The timing of when the target fixture’s display will turn on varies from fixture to fixture.

7. DO NOT turn off power or remove the USB flash drive. Once the software is done uploading, the target fixture will automatically reboot.
8. Go to the target fixture’s main menu and confirm that the firmware version has been updated.
9. Reboot the target fixture.

Setup

Mounting

Before mounting the product, read and follow the safety recommendations indicated in the [Safety Notes](#).

Orientation

Always mount this product in a safe position, making sure there is adequate room for ventilation, configuration, and maintenance.

Rigging

Chauvet recommends using the following general guidelines when mounting this product.

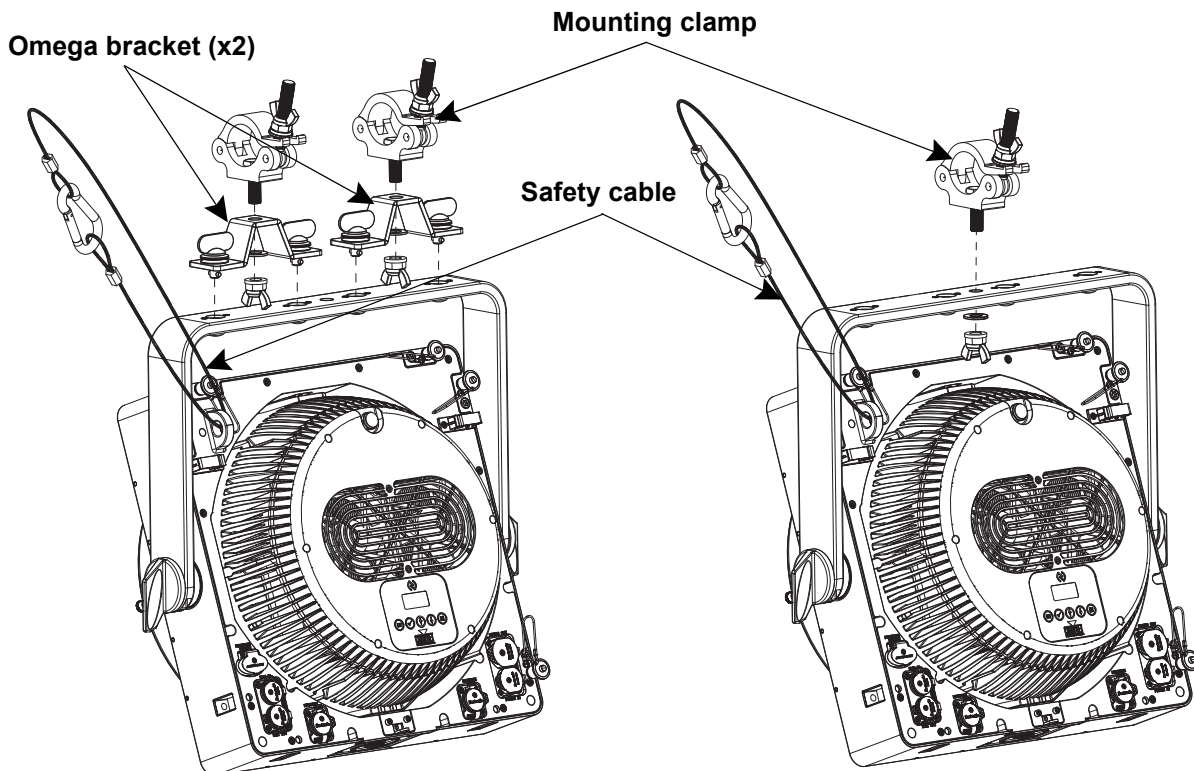
- Before deciding on a location for the product, make sure there is easy access to the product for maintenance and programming purposes.
- Make sure that the structure and attachment points can support the weight before hanging the product (see the [Technical Specifications](#) for weight information).
- When mounting the product overhead, always use a safety cable. Mount the product securely to a rigging point, whether an elevated platform or a truss.
- When rigging the product onto a truss, use a mounting clamp of appropriate weight capacity.
- When power linking multiple products, mount the products close enough for power-linking cables to reach.
- The bracket adjustment knobs allow for directional adjustment when aiming the product to the desired angle. Only loosen or tighten the bracket knobs manually. Using tools could damage the knobs.

Procedure

The STRIKE Array Ultra comes with two Omega brackets. The user can directly attach a mounting clamp (sold separately) to each Omega bracket. Make sure the clamps are capable of supporting the weight of this product. For the Chauvet Professional line of mounting clamps, go to

<http://www.trusst.com/products>.

Mounting Diagram

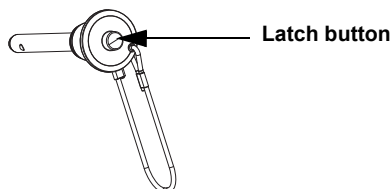


Multi-Product Mounting

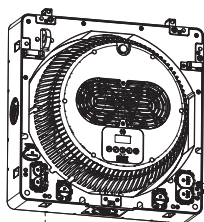
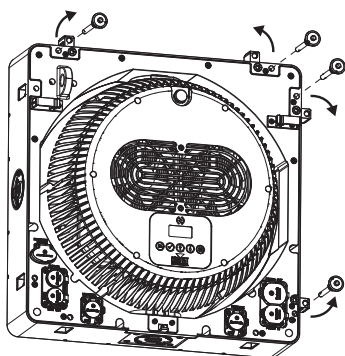
The STRIKE Array Ultra has an interlocking system to connect multiple STRIKE products together, vertically or horizontally.

Multi-Product Mounting Diagram

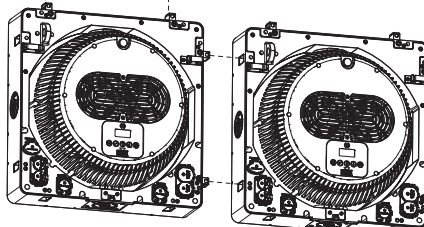
1. Press and hold the latch button to remove or insert the retaining pins



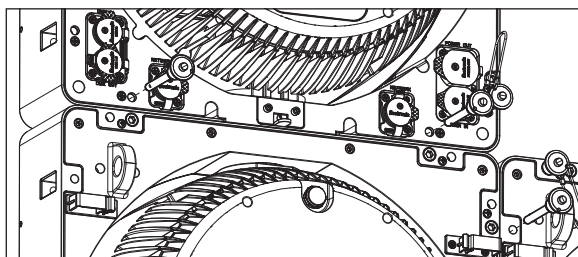
2. Remove the retaining pins to release the integrated hanging hardware



3. Insert the integrated hanging hardware into the opening of the next fixture (vertically or horizontally)

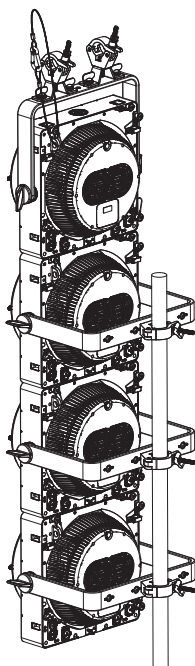


4. Insert the retaining pins to lock the fixtures together



Vertical Mounting

The STRIKE Array Ultra maximum vertical hanging load capacity is 80kg. Please refer to the chart below for the weights of individual STRIKE fixtures. The weights of cables and other equipment connected to or mounted on the fixtures must be accounted for when calculating the vertical hanging load.








- Attach the safety cables of each additional product to the preceding product.
- When mounting products in series, use the hanging brackets in the back position with mounting clamps to create a spine. This will prevent any motion which may damage the products.

Fixture	Hanging Weight (each)
STRIKE Array 1	3.0 kg
STRIKE Array 1 Driver	2.9 kg
STRIKE Array 2	8.0 kg
STRIKE Array 4	13.0 kg
STRIKE Array 2C	9.4 kg
STRIKE Array 4C	15.4 kg
STRIKE Array Ultra	15.0 kg
STRIKE Bolt 1C	8.7kg

4. Operation

Control Panel Description

Button	Name	Function
	<Menu>	Exits the current menu or function
	<Up>	Navigates upwards through the menu or increases the numeric value of a function
	<Down>	Navigates downwards through the menu or decreases the numeric value of a function
	<Enter>	Enables the currently displayed menu or sets a selected value into a function
	<Focus>	Sets fixture into Focus Mode, which takes the unit to full power for easy focusing without changing any other fixture settings. Press again to release from Focus Mode.

Control Options

Set the STRIKE Array Ultra starting address in the **001-507** DMX range. This enables control of up to 85 products in the **6 Ch** personality.

Programming

Refer to the menu map to understand the menu options. The menu map shows the main menu and a variable number of programming levels for each option.

- To access the main menu, press **<MENU>**..
- To navigate to the desired option in the main menu, press **<MENU>** repeatedly until the option is indicated, or use **<UP>** or **<DOWN>** to navigate directly.
- Press **<ENTER>** to select the indicated option.
- Use **<UP>** or **<DOWN>** to navigate within a programming level until the desired option is indicated.
- To return to the main menu, press **<MENU>** repeatedly until it shows on the display.

Control options can also be accessed through the [Web Server](#).

Passcode

When prompted, enter the following passcode: **<UP>**, **<DOWN>**, **<UP>**, **<DOWN>**, **<ENTER>**.
It is not possible to change this passcode.

Menu Map

Refer to the STRIKE Array Ultra product page on www.chauvetprofessional.com for the latest menu map.

Main Menu	Programming Levels		Description
Protocol	DMX		Sets the control protocol
	Artnet		
	sACN		
DMX Address	Address	<001-507*>	Selects DMX address (*Highest channel restricted to personality chosen)
DMX Channel	6 Ch		6-channel: pan, 16-bit pan, pan speed, pod dimmer, global strobe, control
	8 Ch		8-channel: pan, 16-bit pan, pan speed, pod dimmer, global strobe, color macro, color temperature, control
	14 Ch		14-channel: pan, 16-bit pan, pan speed, pod dimmer, ring dimmer, pod RGBAW, ring RGB, pod strobe, ring strobe, control
	16 Ch		16-channel: pan, 16-bit pan, pan speed, pod dimmer, ring dimmer, pod RGBAW, ring RGB, pod strobe, ring strobe, control
	20 Ch-1		20-channel: pan, 16-bit pan, pan speed, pod dimmer, 16-bit pod dimmer, ring dimmer, 16-bit ring dimmer, pod RGBAW, ring RGB, pod strobe, ring strobe, color macro, color temperature, control
	20 Ch-2		20-channel: pan, 16-bit pan, pan speed, pod dimmer, ring dimmer, pod RGBAW, ring RGB, pod strobe, ring strobe, color macro, color temperature, auto programs, auto speed, control
	26 Ch		26-channel: pan, 16-bit pan, pan speed, pod dimmer, 16-bit pod dimmer, ring dimmer, 16-bit ring dimmer, pod RGBAW, 16-bit pod RGBAW, ring RGB, 16-bit ring RGB, pod strobe, ring strobe, control
	28 Ch		28-channel: pan, 16-bit pan, pan speed, pod dimmer, 16-bit pod dimmer, ring dimmer, 16-bit ring dimmer, pod RGBAW, 16-bit pod RGBAW, ring RGB, 16-bit ring RGB, pod strobe, ring strobe, color macro, color temperature, control
	49 Ch		49-channel: pan 16-bit pan, pan speed, pod dimmer, ring dimmer, pod RGBAW, ring RGB (12-zone), pod strobe, ring strobe, control
	92 Ch		92-channel: pan, 16-bit pan, pan speed, pod dimmer, 16-bit pod dimmer, ring dimmer, 16-bit ring dimmer, pod RGBAW, 16-bit pod RGBAW, ring RGB (12-zone), 16-bit ring RGB (12-zone), pod strobe, ring strobe, control
HSV		8-channel: pan, 16-bit pan, pan speed, hue, saturation, value, global strobe, control	

Main Menu	Programming Levels		Description
Pod Static	Virtual Color Wheel	C3050–Md Yellow	Dimmer 0–255 Virtual Color Wheel simulates the output of each gel color. Refer to the Virtual Color Wheel Chart for specific values.
		C3040–Lt Yellow	
		C3240–Amb Yellow	
		C2340–VLt Amber	
		C2040–Lt Amber	
		C2050–Md Amber	
		C2060–Dk Amber	
		C1050–Lt Red	
		C1080–Md Red	
		C1020–NC Pink	
		C1030–Md Pink	
		C1630–Dk Pink	
		C1250–Md Red Amber	
		C1060–Dk Red Amber	
		C1650–Magenta	
		C6170–Dk Magenta	
		C6020–Lt Lavender	
		C5030–Lt Blue	
		C5020–VLt Blue	
		C5430–Lt Blue 2	
		C5070–Blue	
		C5050–Md Blue	
		C5060–Dk Blue	
		C5690–Indigo	
	C5080–VDk Blue		
	C5081–VDk Blue 2		
	C4370–Yel Green		
	C4070–Green		
	C4550–Turquoise		
	C4560–Aqua		
	C4570–Blue Green		
	Color Temperature	2800K	Dimmer 0–255 Preset white color temperatures. Emulates a tungsten lamp at the specified color temperature. Refer to the Color Temperature Chart for specific values.
		3000K	
3200K			
3500K			
4000K			
4500K			
5000K			
5600K			
6000K			
6500K			
Manual Color Mixer	Red	0–255 Combines red, green, blue, amber, and white to make a custom color (0–100%)	
	Green		
	Blue		
	Amber		
	White		

Main Menu	Programming Levels		Description	
Pod Static cont.	Color X- Fade Speed	Off	Turns off the fade transition between colors	
		X-Fade Speed 1	Creates fade transition between colors when using colors in the Virtual Color Wheel or Color Temperature chart, from fast (X-Fade Speed 1) to slow (X-Fade Speed 4)	
		X-Fade Speed 2		
		X-Fade Speed 3		
		X-Fade Speed 4		
Ring Static	Ring Fixed Color	R	Dimmer 0–255	Sets a fixed ring color
		G		
		B		
		RG		
		RB		
		GB		
		RGB		
	Manual Color Mixer	R	0–255	Combines red, green, and blue, to make a custom color (0–100%)
		G		
		B		
Auto Show	Auto 1–6	Speed 1–100	Selects automatic programs and speed	
		Dimmer 0–255		
Pan Settings	Pan	0–255	Manually control pan	
	Pan Offset	0–255	Sets pan offset	
	Pan Invert	No	Pans left to right as value increases	
		Yes	Pans right to left as value increases	
	Pan Disable	On	Disables pan function	
Off		Allows for pan function		
Red Shift	On		Enables or disables red shift	
	Off			
Master/ Slave	Master		Standalone mode	
	Slave		Slave mode	
Dimmer Curve	S Curve		Sets the dimmer curve	
	Linear			
	Square			
	Inverse Square			
Dimmer Mode	Off		Instantaneous dimmer	
	Dimmer 1–3		Dimmer mode, fast (1) to slow (3)	
Color Calibration	Off		Color calibration off	
	User Calibration	Red	<125–255>	Sets maximum red LED value
		Green		Sets maximum green LED value
		Blue		Sets maximum blue LED value
		Amber		Sets maximum amber LED value
		White		Sets maximum white LED value
	Factory Calibration		Color calibration set by factory	
LED Frequency	600Hz		Sets the Pulse Width Modulation frequency	
	1200Hz			
	2000Hz			
	4000Hz			
	6000Hz			
	25KHz			

Operation



Main Menu	Programming Levels		Description
Low Power Mode	On		Lowers LED output 50%
	Off		Default LED output
Display Invert	No		Does not invert the display
	Yes		Inverts the display
Fan Mode	Auto		Sets the fan to auto mode
	On		Sets the fan to always on
	Off		Sets the fan to always off
	Silent		Sets the fan to silent
Back Light	10S		Turns off display backlight after 10 seconds of inactivity
	30S		Turns off display backlight after 30 seconds
	2Min		Turns off display backlight after 2 minutes of
	Always On		Display backlight always on
Key Lock	On		Locks the display. Passcode: <UP>, <DOWN>, <UP>, <DOWN>, <ENTER>
	Off		
Ethernet Setting	IP Mode	Manual	Manually set IP address
		DHCP	Network sets IP address
		Static	Product sets IP address
	Universe	000-32767 (Art-net™)	Sets the Art-Net™ or sACN universe
		001-32000 (sACN)	
	IP Address	_____._____._____._____	Sets each IP address digit from 000-255
Ethernet To DMX	<No >		Enables/disables Ethernet to DMX
	<Yes>		
Test	All		Automatically test all functions
	Pan		Manually control and test all settings through the control panel
	Pod LED		
	Ring LED		
Information	Fixture Hours	<_ _ _ _ _H>	Shows total hours the product has been powered on
	LED Hours	<_ _ _ _ _H>	Shows total hours the LEDs have been powered on
	Disp Ver	<V_ _ _>	Shows current display version
	RGBAW Ver	<V_ _ _>	Shows current LED driver firmware
	RGB Ver	<V_ _ _>	
	BLE Ver	<V_ _ _>	Shows current Bluetooth firmware version
	UID	21A40 _____	Shows product UID
Temperature	<DISP: 40°>		Shows LED temperatures in °C
	<RING LED1: 40°>		
	<RING LED2: 40°>		
	<RING LED3: 40°>		

Main Menu	Programming Levels		Description
Upgrade Firmware	Only This Fixture	_____ .CHL	Selects an update file for this product, or shows “No such file!”
		...	
	Multiple Fixture	_____ .CHL	Selects an update file for this and connected STRIKE Array Ultra products, or shows “No such file!”
		...	
	Other Fixture Type	_____ .CHL	Selects an update file for other connected products, or shows “No such file!”
...			
Fixture to Fixture	Are you sure?	Uploads current firmware to connected products	
Factory Reset	No		Resets the product to factory default settings
	Yes		



When operating in Fan Mode: Off and Fan Mode: Silent, the product will become hotter to the touch than when using other fan modes. Use proper protective equipment to prevent burns. Keep a safe distance from flammable objects.



- The “Other Fixture Type” option under Upgrade Firmware can only be selected for connected products compatible with the Upload 03 (the first 2 digits of the item code must be 03).
- The “Fixture to Fixture” option under Upgrade Firmware can only be selected for connected STRIKE Array Ultra products.

DMX Configuration

Use control configurations to operate the product with a DMX controller.

DMX Personalities

To set the DMX personality:

1. Go to the **DMX Channel** main level.
2. Select the desired personality, from **6 Ch, 8 Ch, 14 Ch, 16 Ch, 20 Ch-1, 20 Ch-2, 26 Ch, 28 Ch, 49 Ch, 92 Ch, or HSV**.



- See the [Starting Address](#) section for the highest selectable starting address for each personality.
- Make sure that the starting addresses on the various products do not overlap due to the new personality setting.

Starting Address

Each product will respond to a unique starting address from the controller. All products with the same starting address will respond in unison. To set the starting address in DMX mode:

1. Go to the **DMX Address** main level.
2. Select the starting address (**001–512**).

Personality	Highest Address	Products per Universe
6 Ch	507	85
8 Ch	505	64
14 Ch	499	36
16 Ch	497	32
20 Ch-1, 20 Ch-2	493	25
26 Ch	487	19
28 Ch	485	18
49 Ch	464	10
92 Ch	421	5
HSV	505	64

Operation

Network Setup

The Network Setup settings control the IP address and subnet mask of the product.

IP Mode

To choose how the IP address is set:

1. Go to the **Ethernet Settings** main level.
2. Select the **IP Mode** option.
3. Select the desired IP mode, from **Manual** (to set a custom IP address), **DHCP** (the IP address is assigned by the connected network), or **Static** (the product uses a default, preset IP address).

Universe

The Art-Net™ and sACN control protocols require a universe address in addition to the starting address.

To assign a universe to the control mode when using Art-Net™ or sACN:

1. Go to the **Ethernet Settings** main level.
2. Select the **Universe** option.
3. Select the universe from **0–32767**.

Manual IP Address

To set the IP address when the **IP Mode** is set to **Manual**:

1. Go to the **Ethernet Settings** main level.
2. Select the **IP Address** option.
3. Set the 4 values of the IP address from **000–255**.

Subnet Mask

To set the subnet mask:

1. Go to the **Ethernet Settings** main level.
2. Select the **SubMask** option.
3. Set the 4 values of the subnet mask from **000–255**.

Virtual Color Wheel

The STRIKE Array Ultra includes a feature called the Virtual Color Wheel (VCW). This feature is available as a standalone control mode for manual use and as a control channel in select DMX personalities. More than 30 premixed colors, custom blended by Chauvet engineers, are available to call up for easier programming.

A chart is available at www.chauvetprofessional.com to compare Chauvet's premixed colors with popular gel colors. This chart is for comparison purposes only and is not an assertion that Chauvet's premixed colors match any of the gel colors listed.

Virtual Color Wheel Chart

DMX Value	Display Readout	DMX Value	Display Readout
000 ⇔ 005	--	131 ⇔ 138	C6020 –Lt Lavender
006 ⇔ 013	C3050 –Md Yellow	139 ⇔ 146	C5030 –Lt Blue
014 ⇔ 021	C3040 –Lt Yellow	147 ⇔ 154	C5020 –VLt Blue
022 ⇔ 028	C3240 –Amb Yellow	155 ⇔ 162	C5430 –Lt Blue2
029 ⇔ 035	C2340 –VLt Amber	163 ⇔ 170	C5070 –Blue
036 ⇔ 043	C2040 –Lt Amber	171 ⇔ 178	C5050 –Md Blue
044 ⇔ 051	C2050 –Md Amber	179 ⇔ 186	C5060 –Dk Blue
052 ⇔ 059	C2060 –Dk Amber	187 ⇔ 194	C5690 –Indigo
060 ⇔ 067	C1050 –Lt Red	195 ⇔ 202	C5080 –VDk Blue
068 ⇔ 075	C1080 –Md Red	203 ⇔ 210	C5081 –VDk Blue2
076 ⇔ 083	C1020 –NC Pink	211 ⇔ 218	C4370 –Yel Green
084 ⇔ 091	C1030 –Md Pink	219 ⇔ 226	C4070 –Green
092 ⇔ 099	C1630 –Dk Pink	227 ⇔ 234	C4550 –Turquoise
100 ⇔ 107	C1250 –Md Red Amber	235 ⇔ 242	C4560 –Aqua
108 ⇔ 115	C1060 –Dk Red Amber	243 ⇔ 250	C4570 –Blue Green
116 ⇔ 121	C1650 –Magenta	251 ⇔ 255	--
122 ⇔ 130	C6170 –Dk Magenta		



The colors above are simulated renditions of the color output produced compared with other similar incandescent products. Chauvet makes no guarantee of the color output accuracy.

Color Temperature Chart

DMX Value	Temperature	DMX Value	Temperature
000 ⇔ 005	No function	126	4500K
006	2800K	127 ⇔ 150	4501–4599K
007 ⇔ 025	2801–2899K	151	5000K
026	3000K	152 ⇔ 175	5001–5099K
027 ⇔ 050	3001–3099K	176	5600K
051	3200K	177 ⇔ 200	5601–5699K
052 ⇔ 075	3201–3299K	201	6000K
076	3500K	202 ⇔ 225	6001–6499K
077 ⇔ 100	3501–3599K	226	6500K
101	4000K		
102 ⇔ 125	4001–4099K		



The color temperatures above are simulated renditions of the color output produced compared with a tungsten lamp at the specified color temperature. Chauvet makes no guarantee of the color output accuracy.

Operation

DMX Channel Assignments and Values

Control Chart

Value	Percent/Setting	Value	Percent/Setting
000 ⇔ 007	No function	144 ⇔ 151	X-Fade speed 2
008 ⇔ 015	Reset dimmer	152 ⇔ 159	X-Fade speed 3
016 ⇔ 023	Red shift on	160 ⇔ 167	X-Fade speed 4
024 ⇔ 031	Red shift off	168 ⇔ 170	PWM frequency 600 Hz
032 ⇔ 039	S-curve dimmer	171 ⇔ 173	PWM frequency 1200 Hz
040 ⇔ 047	Linear dimmer	174 ⇔ 176	PWM frequency 2000 Hz
048 ⇔ 055	Square dimmer	177 ⇔ 179	PWM frequency 4000 Hz
056 ⇔ 063	Inverse square dimmer	180 ⇔ 183	PWM frequency 6000 Hz
064 ⇔ 071	Dimmer speed mode off	184 ⇔ 186	PWM frequency 25000 Hz
072 ⇔ 079	Dimmer mode 1 (fast)	187 ⇔ 189	Color calibration off
080 ⇔ 087	Dimmer mode 2	190 ⇔ 192	User-calibrated colors
088 ⇔ 095	Dimmer mode 3 (slow)	193 ⇔ 195	Factory color calibration
096 ⇔ 103	Fan mode auto	196 ⇔ 198	Pan reset
104 ⇔ 111	Fan mode on	199 ⇔ 201	Low power mode on
112 ⇔ 119	Fan mode off	202 ⇔ 204	Low power mode off
120 ⇔ 127	Fan mode silent	205 ⇔ 243	Reserved for future use
128 ⇔ 135	X-Fade speed off	244 ⇔ 249	Dimmer mode override
136 ⇔ 143	X-Fade speed 1	250 ⇔ 255	Reserved for future use

Strobe Chart

Value	Percent/Setting	Value	Percent/Setting
000 ⇔ 019	On	145 ⇔ 149	On
020 ⇔ 024	Off	150 ⇔ 164	Random strobe 0–100%*
025 ⇔ 064	Strobe*	165 ⇔ 169	On
065 ⇔ 069	On	170 ⇔ 184	Pulse strobe*
070 ⇔ 084	Strobe 100–0%*	185 ⇔ 189	On
085 ⇔ 089	On	190 ⇔ 204	Random pulse strobe*
090 ⇔ 104	Strobe 0–100%*	205 ⇔ 209	On
105 ⇔ 109	On	210 ⇔ 224	Strobe 0–100–0%*
110 ⇔ 124	Random strobe*	225 ⇔ 229	On
125 ⇔ 129	On	230 ⇔ 244	Pulse strobe*
130 ⇔ 144	Random strobe 100–0%*	245 ⇔ 255	On

*All strobe value ranges go from fast to slow

92 Ch / 49 Ch

49	92	Function	Value	Percent/Setting
1	1	Pan	000 ⇄ 255	0–100%
2	2	Fine pan	000 ⇄ 255	0–100%
3	3	Pan speed	000 ⇄ 255	0–100%
4	4	Pod dimmer	000 ⇄ 255	0–100%
–	5	Fine pod dimmer	000 ⇄ 255	0–100%
5	6	Ring dimmer	000 ⇄ 255	0–100%
–	7	Fine ring dimmer	000 ⇄ 255	0–100%
6	8	Red	000 ⇄ 255	0–100%
–	9	Fine red	000 ⇄ 255	0–100%
7	10	Green	000 ⇄ 255	0–100%
–	11	Fine green	000 ⇄ 255	0–100%
8	12	Blue	000 ⇄ 255	0–100%
–	13	Fine blue	000 ⇄ 255	0–100%
9	14	Amber	000 ⇄ 255	0–100%
–	15	Fine amber	000 ⇄ 255	0–100%
10	16	White	000 ⇄ 255	0–100%
–	17	Fine white	000 ⇄ 255	0–100%
11	18	Ring red 1	000 ⇄ 255	0–100%
–	19	Fine ring red 1	000 ⇄ 255	0–100%
12	20	Ring green 1	000 ⇄ 255	0–100%
–	21	Fine ring green 1	000 ⇄ 255	0–100%
13	22	Ring blue 1	000 ⇄ 255	0–100%
–	23	Fine ring blue 1	000 ⇄ 255	0–100%
14	24	Ring red 2	000 ⇄ 255	0–100%
–	25	Fine ring red 2	000 ⇄ 255	0–100%
15	26	Ring green 2	000 ⇄ 255	0–100%
–	27	Fine ring green 2	000 ⇄ 255	0–100%
16	28	Ring blue 2	000 ⇄ 255	0–100%
–	29	Fine ring blue 2	000 ⇄ 255	0–100%
17	30	Ring red 3	000 ⇄ 255	0–100%
–	31	Fine ring red 3	000 ⇄ 255	0–100%
18	32	Ring green 3	000 ⇄ 255	0–100%
–	33	Fine ring green 3	000 ⇄ 255	0–100%
19	34	Ring blue 3	000 ⇄ 255	0–100%
–	35	Fine ring blue 3	000 ⇄ 255	0–100%
20	36	Ring red 4	000 ⇄ 255	0–100%
–	37	Fine ring red 4	000 ⇄ 255	0–100%
21	38	Ring green 4	000 ⇄ 255	0–100%
–	39	Fine ring green 4	000 ⇄ 255	0–100%
22	40	Ring blue 4	000 ⇄ 255	0–100%
–	41	Fine ring blue 4	000 ⇄ 255	0–100%
23	42	Ring red 5	000 ⇄ 255	0–100%
–	43	Fine ring red 5	000 ⇄ 255	0–100%
24	44	Ring green 5	000 ⇄ 255	0–100%
–	45	Fine ring green 5	000 ⇄ 255	0–100%
25	46	Ring blue 5	000 ⇄ 255	0–100%

Operation

49	92	Function	Value	Percent/Setting
-	47	Fine ring blue 5	000 ⇄ 255	0-100%
26	48	Ring red 6	000 ⇄ 255	0-100%
-	49	Fine ring red 6	000 ⇄ 255	0-100%
27	50	Ring green 6	000 ⇄ 255	0-100%
-	51	Fine ring green 6	000 ⇄ 255	0-100%
28	52	Ring blue 6	000 ⇄ 255	0-100%
-	53	Fine ring blue 6	000 ⇄ 255	0-100%
29	54	Ring red 7	000 ⇄ 255	0-100%
-	55	Fine ring red 7	000 ⇄ 255	0-100%
30	56	Ring green 7	000 ⇄ 255	0-100%
-	57	Fine ring green 7	000 ⇄ 255	0-100%
31	58	Ring blue 7	000 ⇄ 255	0-100%
-	59	Fine ring blue 7	000 ⇄ 255	0-100%
32	60	Ring red 8	000 ⇄ 255	0-100%
-	61	Fine ring red 8	000 ⇄ 255	0-100%
33	62	Ring green 8	000 ⇄ 255	0-100%
-	63	Fine ring green 8	000 ⇄ 255	0-100%
34	64	Ring blue 8	000 ⇄ 255	0-100%
-	65	Fine ring blue 8	000 ⇄ 255	0-100%
35	66	Ring red 9	000 ⇄ 255	0-100%
-	67	Fine ring red 9	000 ⇄ 255	0-100%
36	68	Ring green 9	000 ⇄ 255	0-100%
-	69	Fine ring green 9	000 ⇄ 255	0-100%
37	70	Ring blue 9	000 ⇄ 255	0-100%
-	71	Fine ring blue 9	000 ⇄ 255	0-100%
38	72	Ring red 10	000 ⇄ 255	0-100%
-	73	Fine ring red 10	000 ⇄ 255	0-100%
39	74	Ring green 10	000 ⇄ 255	0-100%
-	75	Fine ring green 10	000 ⇄ 255	0-100%
40	76	Ring blue 10	000 ⇄ 255	0-100%
-	77	Fine ring blue 10	000 ⇄ 255	0-100%
41	78	Ring red 11	000 ⇄ 255	0-100%
-	79	Fine ring red 11	000 ⇄ 255	0-100%
42	80	Ring green 11	000 ⇄ 255	0-100%
-	81	Fine ring green 11	000 ⇄ 255	0-100%
43	82	Ring blue 11	000 ⇄ 255	0-100%
-	83	Fine ring blue 11	000 ⇄ 255	0-100%
44	84	Ring red 12	000 ⇄ 255	0-100%
-	85	Fine ring red 12	000 ⇄ 255	0-100%
45	86	Ring green 12	000 ⇄ 255	0-100%
-	87	Fine ring green 12	000 ⇄ 255	0-100%
46	88	Ring blue 12	000 ⇄ 255	0-100%
-	89	Fine ring blue 12	000 ⇄ 255	0-100%
47	90	Pod strobe	000 ⇄ 255	See the Strobe Chart
48	91	Ring strobe	000 ⇄ 255	See the Strobe Chart
49	92	Control	000 ⇄ 255	See the Control Chart

28 Ch / 26 Ch / 20-2 Ch / 20-1 Ch / 16 Ch / 14 Ch / 6 Ch / 4 Ch

6	8	14	16	20-1	20-2	26	28	Function	Value	Percent/Setting
1	1	1	1	1	1	1	1	Pan	000 ⇔ 255	0–100%
2	2	2	2	2	2	2	2	Fine pan	000 ⇔ 255	0–100%
3	3	3	3	3	3	3	3	Pan speed	000 ⇔ 255	0–100%
4	4	–	4	4	4	4	4	Pod dimmer	000 ⇔ 255	0–100%
5	5	–	–	–	–	–	–	Global strobe	000 ⇔ 255	See the Strobe Chart
–	–	–	–	5	–	5	5	Fine pod dimmer	000 ⇔ 255	0–100%
–	–	–	5	6	5	6	6	Ring dimmer	000 ⇔ 255	0–100%
–	–	–	–	7	–	7	7	Fine ring dimmer	000 ⇔ 255	0–100%
–	–	4	6	8	6	8	8	Red	000 ⇔ 255	0–100%
–	–	–	–	–	–	9	9	Fine red	000 ⇔ 255	0–100%
–	–	5	7	9	7	10	10	Green	000 ⇔ 255	0–100%
–	–	–	–	–	–	11	11	Fine green	000 ⇔ 255	0–100%
–	–	6	8	10	8	12	12	Blue	000 ⇔ 255	0–100%
–	–	–	–	–	–	13	13	Fine blue	000 ⇔ 255	0–100%
–	–	7	9	11	9	14	14	Amber	000 ⇔ 255	0–100%
–	–	–	–	–	–	15	15	Fine amber	000 ⇔ 255	0–100%
–	–	8	10	12	10	16	16	White	000 ⇔ 255	0–100%
–	–	–	–	–	–	17	17	Fine white	000 ⇔ 255	0–100%
–	–	9	11	13	11	18	18	Ring red	000 ⇔ 255	0–100%
–	–	–	–	–	–	19	19	Fine ring red	000 ⇔ 255	0–100%
–	–	10	12	14	12	20	20	Ring green	000 ⇔ 255	0–100%
–	–	–	–	–	–	21	21	Fine ring green	000 ⇔ 255	0–100%
–	–	11	13	15	13	22	22	Ring blue	000 ⇔ 255	0–100%
–	–	–	–	–	–	23	23	Fine ring blue	000 ⇔ 255	0–100%
–	–	12	14	16	14	24	24	Pod strobe	000 ⇔ 255	See the Strobe Chart
–	–	13	15	17	15	25	25	Ring strobe	000 ⇔ 255	See the Strobe Chart
–	6	–	–	18	16	–	26	Color macro	000 ⇔ 255	See Virtual Color Wheel Chart
–	7	–	–	19	17	–	27	Color temperature	000 ⇔ 255	See Color Temperature Chart
–	–	–	–	–	–	–	–	Auto programs	000 ⇔ 010	No function
–	–	–	–	–	18	–	–		011 ⇔ 040	Automatic program 1
–	–	–	–	–	–	–	–		041 ⇔ 080	Automatic program 2
–	–	–	–	–	–	–	–		081 ⇔ 120	Automatic program 3
–	–	–	–	–	–	–	–		121 ⇔ 160	Automatic program 4
–	–	–	–	–	–	–	–		161 ⇔ 200	Automatic program 5
–	–	–	–	–	19	–	–	201 ⇔ 255	Automatic program 6	
–	–	–	–	–	19	–	–	Auto speed	000 ⇔ 255	Auto speed, slow to fast
6	8	14	16	20	20	26	28	Control	000 ⇔ 255	See the Control Chart

Operation

HSV

Channel	Function	Value	Percent/Setting
1	Pan	000 ⇄ 255	0–100%
2	Fine pan	000 ⇄ 255	0–100%
3	Pan speed	000 ⇄ 255	0–100%
4	Hue	000 ⇄ 255	0–100%
5	Saturation	000 ⇄ 255	0–100%
6	Value	000 ⇄ 255	0–100%
7	Global strobe	000 ⇄ 255	0–100%
8	Control	000 ⇄ 255	See the Control Chart

Standalone Configuration

Pod Static

The static mode options under **Pod Static** also include preset color temperatures and a manual color mixer.

Virtual Color Wheel

To select from the Virtual Color Wheel:

1. Go to the **Pod Static** main level.
2. Select the **Virtual Color Wheel** option.
3. Select the desired virtual gel color (see the [Virtual Color Wheel Chart](#)).
4. Set the **Dimmer** value (**0–255**).

Color Temperature

To select a preset color temperature via the menu map:

1. Go to the **Pod Static** main level.
2. Select the **Color Temperature** option.
3. Select the desired color temperature (see the [Color Temperature Chart](#)).
4. Set the **Dimmer** value (**0–255**).

Manual Color Mixer

To manually mix a custom static color:

1. Go to the **Pod Static** main level.
2. Select **Manual Color Mixer**.
3. Select the color to edit (**Red, Green, Blue, Amber, or White**).
4. Set the value for the selected color (**0–255**).
5. Repeat steps 3 and 4 until product outputs as desired.

Color X-Fade Speed

To select the Virtual Color Wheel cross-fade speed:

1. Go to the **Pod Static** main level.
2. Select **Color X-Fade Speed**.
3. Select the speed, from **Off** (snap), **X-Fade Speed 1** (fastest), **X-Fade Speed 2**, or **X-Fade Speed 3** (slowest).

Ring Static

Fixed Color

To select a fixed color:

1. Go to the **Ring Static** main level.
2. Select the **Fixed Color** option.
3. Select the desired color from **R, G, B, RG, RB, GB, or RGB**.
4. Set the **Dimmer** value (**0–255**).

Manual Color Mixer

To manually mix a custom static color:

1. Go to the **Pod Static** main level.
2. Select **Manual Color Mixer**.
3. Select the color to edit (**Red**, **Green**, or **Blue**).
4. Set the value for the selected color (**0–255**).
5. Repeat steps 3 and 4 until product outputs as desired.

Auto Show

To select an automatic program:

1. Go to the **Auto Show** main level.
2. Select the desired auto program (**Auto 1–6**).
3. Set the **Dimmer** value (**0–255**).
4. Set the **Speed** value (**1–100**).

Settings Configuration

Pan Settings

To pan manually, set a pan offset, invert pan travel direction, or disable pan function:

1. Go to the **Pan Settings** main level.
2. Select from **Pan**, **Pan Offset**, **Pan Invert**, or **Pan Disable**.
3. If **Pan** or **Pan Offset**, set the desired angle value (**0–255**).
4. If **Pan Invert**, select **Yes** to pan from right to left or **No** to pan from left to right.
5. If **Pan Disable**, select **Off** to allow pan function or **On** to disable pan function.

Red Shift

With red shift enabled, the color temperature will warm as the dimmer decreases in imitation of a lamp. To enable or disable the red shift function:

1. Go to the **Red Shift** main level.
2. Select from **On** or **Off**.

Master/Slave

To set the STRIKE Array Ultra product to master or slave mode:

1. Go to the **Master/Slave** main level.
2. Select from **Master** (sends control signal) or **Slave** (receives control signal).



- **Configure all the slave products before connecting the master to the daisy chain.**
- **Never connect a DMX controller to a DMX string configured for Master/Slave operation because the controller may interfere with the signals from the master.**
- **Do not connect more than 31 slaves to the master.**

Dimmer Curve

To set the dimmer curve:

1. Go to the **Dimmer Curve** main level.
2. Select from **S Curve**, **Linear**, **Square**, or **Inverse Square**.

Dimmer Speed Mode

To set the dimmer speed:

1. Go to the **Dimmer Mode** main level.
2. Select the dimmer speed mode from **Off** (instant), **Dimmer 1** (fastest), **Dimmer 2**, or **Dimmer 3** (slowest).

Color Calibration

To configure the color calibration:

1. Go to the **Color Calibration** main level.
2. Select from **Off**, **User Calibration**, or **Factory Calibration**.
3. If **User Calibration**, select the maximum color value to edit, from **Red**, **Green**, **Blue**, or **White**.
4. Set the maximum level for the selected color, from **125–255**.
5. Repeat steps 3–4 until the colors are calibrated as desired.

Operation

LED Frequency

To set the frequency of the pulse width modulation:

1. Go to the **LED Frequency** main level.
2. Select the PWM frequency, from **600Hz**, **1200Hz**, **2000Hz**, **4000Hz**, **6000Hz**, or **25KHz**.

Low Power Mode

To set the STRIKE Array Ultra into low power mode:

1. Go to the **Low Power Mode** main level.
2. Select from **On** or **Off**.

Display Invert

To invert the display:

1. Go to the **Display Invert** main level.
2. Select from **No** or **Yes**.

Fan Mode

To set the fan mode:

1. Go to the **Fan Mode** main level.
2. Select the fan mode, from **Auto** (adjusts to product temperature), **On** (always on), **Off** (always off), or **Silent** (silent mode).

Backlight

To set how long the display will stay lit without activity:

1. Go to the **Back Light** main level.
2. Select from **10S** (10 seconds), **30S** (30 seconds), **2Min** (2 minutes), or **Always On**.

Key Lock

To enable or disable the passcode lock on the display:

1. Go to the **Key Lock** main level.
2. Select from **On** or **Off**.

Information

To view product information, such as the number of hours the product has been on, the driver firmware, etc., go to the **Information** main level.

Factory Reset

To reset the product to factory default settings:

1. Go to the **Factory Reset** main level.
2. Select **No** (do not reset) or **Yes** (reset).

5. Maintenance

Product Maintenance

Dust build-up reduces light output performance and can cause overheating. This can lead to reduction of the light source's life and/or mechanical wear. To maintain optimum performance and minimize wear, clean each lighting product at least twice a month. However, be aware that usage and environmental conditions could be contributing factors to increase the cleaning frequency.

To clean the product, follow the instructions below:

1. Unplug the product from power.
2. Wait until the product is at room temperature.
3. Use a vacuum (or dry compressed air) and a soft brush to remove dust collected on the external surface/vents.
4. Clean all transparent surfaces with a mild soap solution, ammonia-free glass cleaner, or isopropyl alcohol.
5. Apply the solution directly to a soft, lint free cotton cloth or a lens cleaning tissue.
6. Softly drag any dirt or grime to the outside of the transparent surface.
7. Gently polish the transparent surfaces until they are free of haze and lint.



Always dry the transparent surfaces carefully after cleaning them.



Do not spin the cooling fans with compressed air. Damage may result.

Maintenance

Torque Measurements

To maintain the IP rating when reassembling the product, use the given torque measurements for each of the following screws and bolts:

Fixture Parts	Torque Rating (Kgf.cm)	Torque Rating (lbf.in)
Rear / Base/ Housing cover screws	10±2	8.68±1.74
IP Power / Network socket screws	6±1	5.21±0.87

Vacuum Test Measurements

Use the IP Tester from Chauvet Professional to ensure the product has been reassembled correctly by following the information below:

Parameters	Values
Method	Positive or Negative
Test pressure	25 kPa
Test duration	50 seconds
PASS state leak pressure	-20~100Pa

6. Technical Specifications

Dimensions and Weight

Length	Width	Height	Weight
19.13 in (486 mm)	17.79 in (452 mm)	9.23 in (234.5 mm)	39.6 lb (18 kg)

Note: Dimensions in inches are rounded.

Power

Power Supply Type	Range	Voltage Selection
Switching (internal)	100 to 240 VAC, 50/60 Hz	Auto-ranging

Parameter	100 V, 60 Hz	120 V, 60 Hz	208 V, 60 Hz	230 V, 50 Hz	240 V, 50 Hz
Consumption	1051 W	1024 W	995 W	995 W	995 W
Operating Current	10.48 A	8.54 A	4.81 A	4.34 A	4.14 A
Resting Current	0.37 A	0.34 A	0.33 A	0.30 A	0.30 A
Power Linking Current	12 A	12 A	12A	12 A	12A

Power I/O	U.S./Worldwide	UK/Europe
Power Input Connector	Seetronic Powerkon IP65	Seetronic Powerkon IP65
Power Output Connector	Seetronic Powerkon IP65	Seetronic Powerkon IP65
Power Cable plug	Edison	Local plug

Light Source	Type	Color	Quantity
Pod	LED	RGBWA	1
Ring	LED	RGB	120

Photometrics

Color Temperature Range	Color Temperature at Full	CRI @ 3200K
2800 to 6500K	5,950 K	92.8

Parameter	Pod	Ring	Combined
Beam Angle	52°	112.3°	52°
Field Angle	91.6°	177.6°	91.7°
Lumens	56,604	297	56,715
Illuminance @ 5m	2610 lux	4 lux	2607 lux

Thermal

Maximum External Temperature	Cooling System
113 °F (45 °C)	Fan-assisted Convection

Control

DMX I/O Connector	Channel Range
5-pin XLR	4, 6, 14, 16, 20, 26, 28, 49, 92, or (HSV)

Ordering

Product Name	Item Name	Item Code	UPC Number
STRIKE Array Ultra	STRIKEARRAYULTRA	03012691	781462230395



UL 60950-1
CSA C22.2 No. 60950-1
E113093-1110, E113093-1125



Contact Us

General Information	Technical Support
Chauvet World Headquarters	
Address: 3360 Davie Rd., Suite 509 Davie, FL 33314 Voice: (954) 577-4455 Fax: (954) 929-5560 Toll Free: (800) 762-1084	Voice: (844) 393-7575 Fax: (954) 756-8015 Email: chauvetcs@chauvetlighting.com Website: www.chauvetprofessional.com
Chauvet U.K.	
Address: Pod 1 EVO Park Little Oak Drive, Sherwood Park Nottinghamshire, NG15 0EB UK Voice: +44 (0) 1773 511115 Fax: +44 (0) 1773 511110	Email: UKtech@chauvetlighting.eu Website: www.chauvetprofessional.eu
Chauvet Benelux	
Address: Vaartlaan 9 9800 Deinze Belgium Voice: +32 9 388 93 97	Email: BNLtech@chauvetlighting.eu Website: www.chauvetprofessional.eu
Chauvet France	
Address: 3, Rue Ampère 91380 Chilly-Mazarin France Voice: +33 1 78 85 33 59	Email: FRtech@chauvetlighting.fr Website: www.chauvetprofessional.eu
Chauvet Germany	
Address: Bruno-Bürgel-Str. 11 28759 Bremen Germany Voice: +49 421 62 60 20	Email: DEtech@chauvetlighting.de Website: www.chauvetprofessional.eu
Chauvet Mexico	
Address: Av. de las Partidas 34 - 3B (Entrance by Calle 2) Zona Industrial Lerma Lerma, Edo. de México, CP 52000 Voice: +52 (728) 690-2010	Email: servicio@chauvet.com.mx Website: www.chauvetprofessional.mx

Warranty & Returns

For warranty terms and conditions and return information, please visit our website.

For customers in the United States and Mexico: www.chauvetlighting.com/warranty-registration.

For customers in the United Kingdom, Republic of Ireland, Belgium, the Netherlands, Luxembourg, France, and Germany: www.chauvetlighting.eu/warranty-registration.