

COLORADO PXL CURVE 1

User Manual



Model ID: COLORADOPXLCURVE1

CHAUVET
PROFESSIONAL

Edition Notes

The COLORado PXL Curve 1 User Manual includes a description, safety precautions, installation, programming, operation, and maintenance instructions for the COLORado PXL Curve 1 as of the release date of this edition.

Trademarks

Chauvet, Chauvet Professional, the Chauvet logo, COLORado, and COLORado PXL Curve are registered trademarks or trademarks of Chauvet & Sons, LLC (d/b/a Chauvet and Chauvet Lighting) in the United States and other countries. Other company and product names and logos referred to herein may be trademarks of their respective companies.

Copyright Notice

The works of authorship contained in this manual, including, but not limited to, all designs, text, and images are owned by Chauvet.

© Copyright 2026 Chauvet & Sons, LLC. All rights reserved.

Electronically published by Chauvet in the United States of America.

Manual Use

Chauvet authorizes its customers to download and print this manual for professional information purposes only. Chauvet expressly prohibits the usage, copy, storage, distribution, modification, or printing of this manual or its content for any other purpose without written consent from Chauvet.

Document Printing

For best results, print this document in color, on letter size paper (8.5 x 11 in), double-sided. If using A4 paper (210 x 297 mm), configure the printer to scale the content accordingly.

Intended Audience

Any person installing, operating, and/or maintaining this product should completely read through the guide that shipped with the product, as well as this manual, before installing, operating, or maintaining this product.

Disclaimer

Chauvet believes that the information contained in this manual is accurate in all respects. However, Chauvet assumes no responsibility and specifically disclaims any and all liability to any party for any loss, damage, or disruption caused by any errors or omissions in this document, whether such errors or omissions result from negligence, accident, or any other cause. Chauvet reserves the right to revise the content of this document without any obligation to notify any person or company of such revision. However, Chauvet has no obligation to make, and does not commit to make, any such revisions.

Document Revision

Go to www.chauvetprofessional.com for the latest version.

Revision	Date	Description
3	06/2026	Updated vacuum test measurements

TABLE OF CONTENTS

- 1. Before You Begin** 1
 - What Is Included 1
 - Claims 1
 - Text Conventions 1
 - Symbols 1
 - Safety Notes..... 2
 - FCC Statement of Compliance 3
 - RF Exposure Warning for North America and Australia..... 3
 - Expected LED Lifespan..... 3
- 2. Introduction** 4
 - Features 4
 - Product Overview 4
 - Product Dimensions 5
- 3. Setup** 6
 - AC Power 6
 - AC Plug 6
 - Power Linking..... 6
 - Signal Connections 6
 - Control Personalities 6
 - DMX Linking 6
 - Remote Device Management 7
 - Art-Net™ Connection 7
 - sACN Connection..... 7
 - Ethernet Connection Diagram 7
 - Software Update 8
 - Upload 08..... 8
 - Fixture to Fixture 8
 - Mounting 9
 - Orientation..... 9
 - Rigging 9
 - Procedure..... 9
 - Aligning Multiple Fixtures 10
- 4. Operation** 11
 - Control Panel Description 11
 - Control Options 11
 - Programming..... 11
 - Home Screen 11
 - Menu Map 12
 - Control Configuration 15
 - Protocol 15
 - DMX Personalities..... 15
 - Starting Address..... 15
 - Universe 15
 - Network Setting..... 15
 - IP Mode..... 15
 - Manual IP Address..... 15

Subnet Mask	15
DMX Channel Assignments and Values	16
Zones of Control.....	16
Advanced (71 Ch) / Standard (39 Ch) / Basic Raw (37 Ch).....	17
Basic High Resolution (31 Ch) / Basic (24 Ch)	19
Control Chart.....	20
Color Macro Chart.....	20
Strobe Chart.....	21
Cells Macro Chart	21
Settings Configuration.....	22
Dimmer Curve	22
Dimmer Response	22
Pulse Width Modulation	22
White Point.....	22
White Balance	22
CMY Color Mode.....	22
Pan/Tilt	22
Display	22
Zoom Reverse.....	23
Data Loss Blackout	23
TV Reset Mode	23
Tilt Mode	23
Preset Select.....	23
Preset Sync.....	23
Reset Functions	23
System Information	24
Test Mode	24
Auto Test.....	24
Manual Test	24
Web Server	24
Home.....	24
Settings	24
Output	24
Security	24
Error Codes.....	25
5. Maintenance.....	26
Product Maintenance	26
Torque Measurements	27
Vacuum Test Measurements	27
6. Technical Specifications	28
Contact Us	29
Warranty & Returns.....	29

Before You Begin

1. Before You Begin

What Is Included

- COLORado PXL Curve 1
- Omega bracket with mounting hardware
- Seetronic Powerkon IP65 power cable
- Quick Reference Guide

Claims

Carefully unpack the product immediately and check the container to make sure all the parts are in the package and are in good condition.




If the box or the contents (the product and included accessories) appear damaged from shipping, or show signs of mishandling, notify the carrier immediately, not Chauvet. Failure to report damage to the carrier immediately may invalidate a claim. In addition, keep the box and contents for inspection.

For other issues, such as missing components or parts, damage not related to shipping, or concealed damage, file a claim with Chauvet within 7 days of delivery.

Text Conventions

Convention	Meaning
1–512	A range of values
50/60	A set of values of which only one can be chosen
Settings	A menu option not to be modified
<ENTER>	A key to be pressed on the product's control panel

Symbols

Symbol	Meaning
	Critical installation, configuration, or operation information. Not following these instructions may make the product not work, cause damage to the product, or cause harm to the operator.
	Important installation or configuration information. The product may not function correctly if this information is not used.
	Useful information.



Any reference to data or power connections in this manual assumes the use of Seetronic IP-rated cables.



The term “DMX” used throughout this manual refers to the USITT DMX512-A digital data transmission protocol.

Connection of the control signal: DMX line

- The product has XLR sockets for DMX input and output.
- Notice: This control circuit is isolated and belongs to the Class 2 data port.

The control circuit has a cumulative leakage current of less than 3.5 mA.

Safety Notes

Read all the following safety notes before working with this product. These notes contain important information about the installation, usage, and maintenance of this product.



This product contains no user-serviceable parts. Any reference to servicing in this User Manual will only apply to properly trained, certified technicians. Do not open the housing or attempt any repairs.



All applicable local codes and regulations apply to proper installation of this product.

- The luminaire is intended for professional use only.
- The luminaire should be positioned so that prolonged staring into the luminaire at a distance closer than 16.4 ft (5 m) is not expected.
- If the external flexible cable or cord of this luminaire is damaged, it shall be replaced by a special cord or cord exclusively available from the manufacturer or its service agent.
- The light source contained in this luminaire shall only be replaced by the manufacturer or its service agent or a similar qualified person.
- **CAUTION:**
 - This product's housing may be hot when operating. Mount this product in a location with adequate ventilation, at least 20 in (50 cm) from adjacent surfaces.
 - When transferring the product from extreme temperature environments, (e.g., cold truck to warm humid ballroom) condensation may form on the internal electronics of the product. To avoid causing a failure, allow the product to fully acclimate to the surrounding environment before connecting it to power.
 - Flashing light is known to trigger epileptic seizures. User must comply with local laws regarding notification of strobe use.
- **ALWAYS:**
 - When using an IP65-rated product in an outdoor environment, use IP65- (or higher) rated power and data cable.
 - Replace and secure IP-rated protective covers to all power, data, USB, or other ports when not in use.
 - Use a safety cable when mounting this product overhead.
 - Connect this product to a grounded and protected circuit.
- **DO NOT:**
 - Open this product. It contains no user-serviceable parts.
 - Look at the light source when the product is on.
 - Leave any flammable material within 2 m of this product while operating or connected to power.
 - Connect this product to a dimmer or rheostat.
 - Operate this product if the housing, lenses, or cables appear damaged.
 - Submerge this product (adhere to standards for the published IP rating). Regular outdoor operation is fine.
 - Permanently install outdoors in locations with extreme environmental conditions. This includes, but is not limited to:
 - Exposure to a marine/saline environment (within 3 miles of a saltwater body of water).
 - Locations where normal temperatures exceed the temperature ranges in this manual.
 - Locations that are prone to flooding or being buried in snow.
 - Other areas where the product will be subject to extreme radiation or caustic substances.
- **ONLY** use the hanging/mounting bracket to carry this product.
- The maximum ambient temperature is 113 °F (45 °C). Do not operate this product at higher temperatures.
- The minimum ambient temperature is -4°F (-20°C). Do not operate the product at lower temperatures.
- To eliminate unnecessary wear and improve its lifespan, during periods of non-use completely disconnect the product from power via breaker or by unplugging it.
- In the event of a serious operating problem, stop using immediately.



If this Chauvet product requires service, contact Chauvet Technical Support.

Before You Begin

FCC Statement of Compliance

This device complies with Part 15 Part B of the FCC rules. Operation is subject to the following two conditions:

1. This device may not cause harmful interference, and
2. This device must accept any interference received, including interference that may cause undesired operation.

This equipment has been tested and found to comply with the limits for a Class B digital device, pursuant to Part 15 of the FCC Rules. These limits are designed to provide reasonable protection against harmful interference in a residential installation. This equipment generates uses and can radiate radio frequency energy and, if not installed and used in accordance with the instructions, may cause harmful interference to radio communications. However, there is no guarantee that interference will not occur in a particular installation. If this equipment does cause harmful interference to radio or television reception, which can be determined by turning the equipment off and on, the user is encouraged to try to correct the interference by one or more of the following measures:

- Reorient or relocate the receiving antenna.
- Increase the separation between the equipment and receiver.
- Connect the equipment into an outlet on a circuit different from that to which the receiver is connected.
- Consult the dealer or an experienced radio/TV technician for help.

Any changes or modifications not expressly approved by the party responsible for compliance could void the user's authority to operate the equipment.

RF Exposure Warning for North America and Australia

Warning! This equipment complies with FCC radiation exposure limits set forth for an uncontrolled environment. This equipment should be installed and operated with a minimum distance of 20 cm between the radiator and the user. This transmitter must not be co-located or operating in conjunction with any other antenna or transmitter.

Expected LED Lifespan

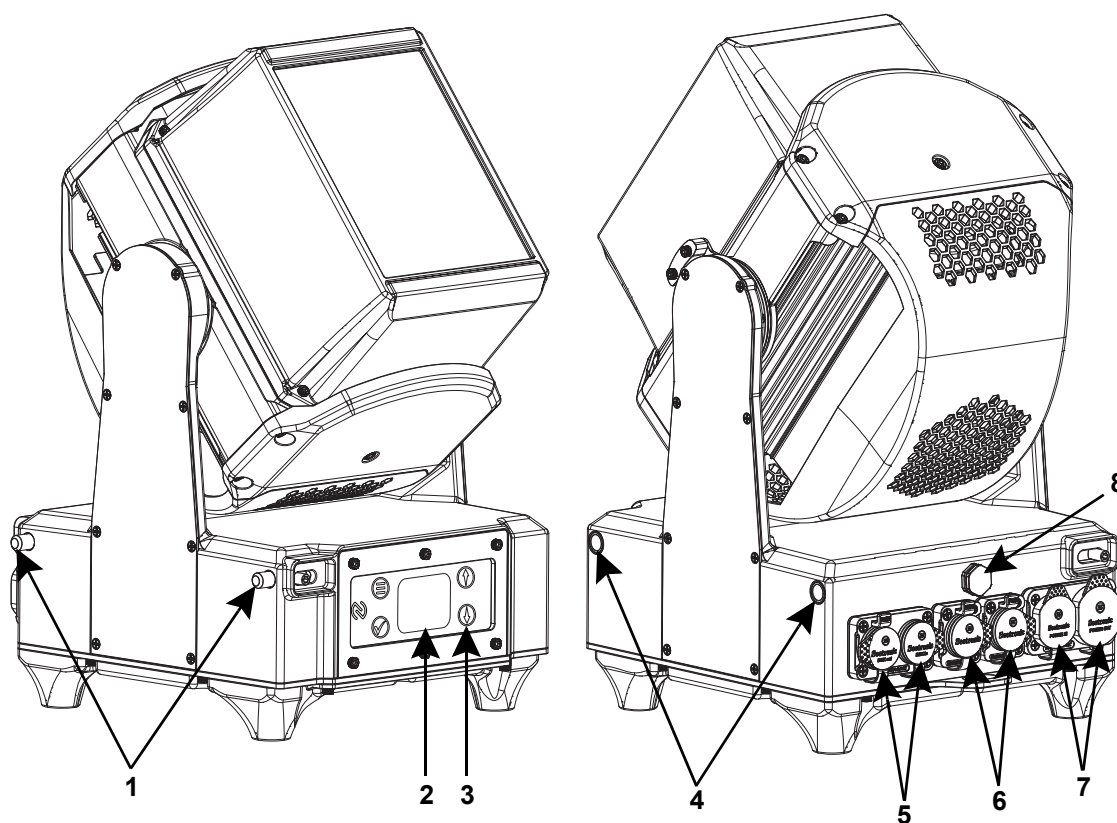
Over time, use and heat will gradually reduce LED brightness. Clustered LEDs produce more heat than single LEDs, contributing to shorter lifespans if always used at full intensity. The average LED lifespan is 40,000 to 50,000 hours. To extend LED lifespan, maintain proper ventilation around the product, and limit the overall intensity.

2. Introduction

Features

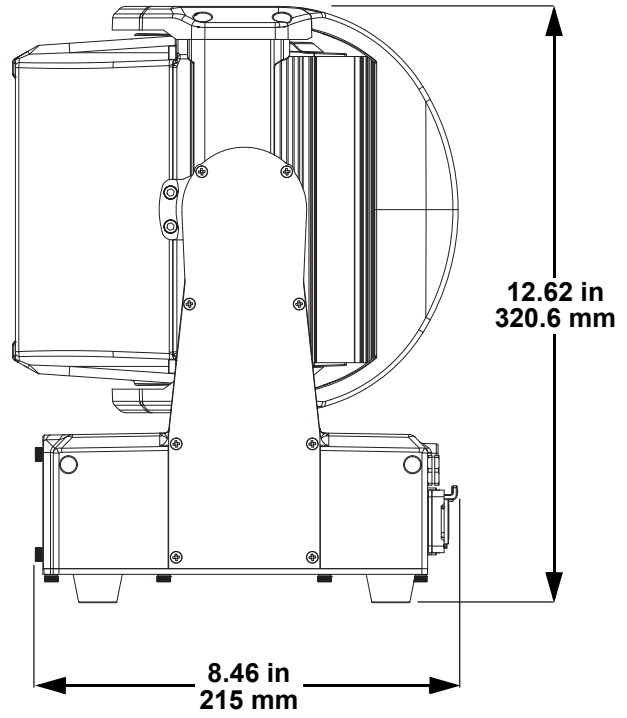
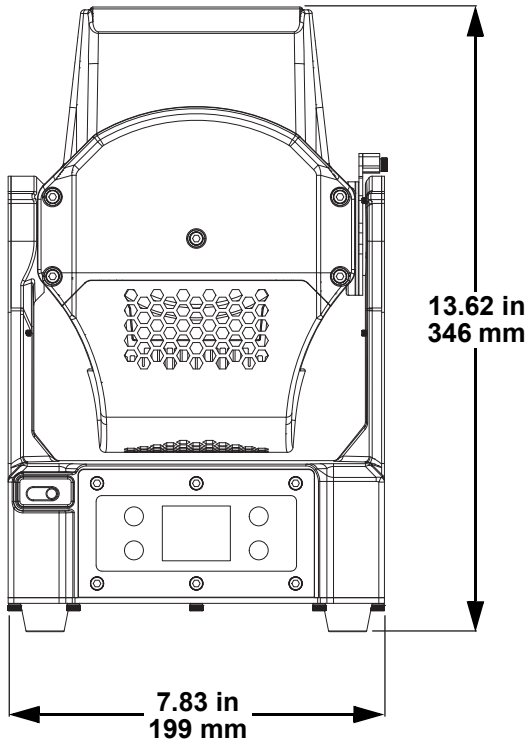
- Fully-featured IP65-rated wash and beam fixture with single (120W) RGBW LED and two linear four-cell CW and WW strobe LEDs
- Pan and tilt functionality with the ability to maintain pixel pitch when using multiple fixtures together
- Quick and quiet operation of 200° tilt and 60° pan
- 8-section control of Warm White and Cool White strobe cells
- Lightweight and compact form makes fixtures easily rigged together in any environment
- DMX, sACN, and Art-Net control for full flexibility
- RDM and NFC-enabled for remote addressing and troubleshooting
- IP65-rated 5-pin DMX and TCP/IP input/output ports
- Slotted Omega bracket for easy hanging on truss

Product Overview



#	Name	#	Name
1	Integrated alignment pin	5	DMX in/out
2	Display	6	Ethernet in/out
3	Menu buttons	7	Power in/out
4	Integrated alignment socket	8	Condensation valve

Product Dimensions



3. Setup

AC Power

The COLORado PXL Curve 1 has an auto-ranging power supply and it can work with an input voltage range of 100 to 240 VAC, 50/60 Hz.

To determine the product's power requirements (circuit breaker, power outlet, and wiring), use the current value listed on the label affixed to the product's back panel, or refer to the product's specifications chart. The listed current rating indicates the product's average current draw under normal conditions.



- **Always connect the product to a protected circuit (a circuit breaker or fuse). Ensure the product has an appropriate electrical ground to avoid the risk of electrocution or fire.**
- **To eliminate unnecessary wear and improve its lifespan, during periods of non-use completely disconnect the product from power via breaker or by unplugging it.**



Never connect the product to a rheostat (variable resistor) or dimmer circuit, even if the rheostat or dimmer channel serves only as a 0 to 100% switch.

AC Plug

The COLORado PXL Curve 1 comes with a power input cable terminated with a Seetronic Powerkon A connector on one end and an Edison plug on the other end (U.S. market). If the power cable which came with the product has no plug, or if it is necessary to change the plug, use the table below to wire a plug.

Connection	Wire (U.S.)	Wire (Europe)	Screw Color
AC Live	Black	Brown	Yellow or Brass
AC Neutral	White	Blue	Silver
AC Ground	Green/Yellow	Green/Yellow	Green

Power Linking

It is possible to power link COLORado PXL Curve 1 products. See the table below for the current draw at each voltage and frequency:

	100 V, 60 Hz	120 V, 60 Hz	208 V, 60 Hz	230 V, 50 Hz	240 V, 50 Hz
Current Draw	2.80 A	2.30 A	1.30 A	1.22 A	1.17 A
Resting	0.30 A	0.30 A	0.24 A	0.21 A	0.20 A

Never exceed 12 A on a single circuit. Power-linking cables can be purchased separately.

Signal Connections

The COLORado PXL Curve 1 can receive a DMX, RDM, Art-Net™, or sACN signal. The product has 2 Seetronic Etherkon-compatible through ports and 5-pin DMX in and out ports. If using other compatible products with this product, it is possible to control each individually with a single controller.

Control Personalities

The COLORado PXL Curve 1 uses a 5-pin DMX data connection, RDM, Art-Net™, or sACN for its 5 control personalities, ranging from **Basic** (24 Ch) to **Advanced** (71 Ch).

- Refer to the [Operation](#) chapter to learn how to configure the COLORado PXL Curve 1 to work in these personalities.
- The [Control Channel Assignments and Values](#) section provides detailed information regarding the control personalities.



If the user is not familiar with or need more information about DMX standards or the DMX cables needed to link this product to a DMX controller, download the DMX Primer from the Chauvet website: www.chauvetprofessional.com.

DMX Linking

The COLORado PXL Curve 1 can link to a DMX controller using a 5-pin DMX connection. For more information about DMX, read the DMX primer at:

https://www.chauvetprofessional.com/wp-content/uploads/2016/06/DMX_Primer.pdf.

Setup

Remote Device Management

Remote Device Management, or RDM, is a standard for allowing DMX-enabled devices to communicate bi-directionally along existing DMX cabling. Check the DMX controller's User Manual or with the manufacturer as not all DMX controllers have this capability. The COLORado PXL Curve 1 supports RDM protocol that allows feedback to make changes to menu map options.

Art-Net™ Connection

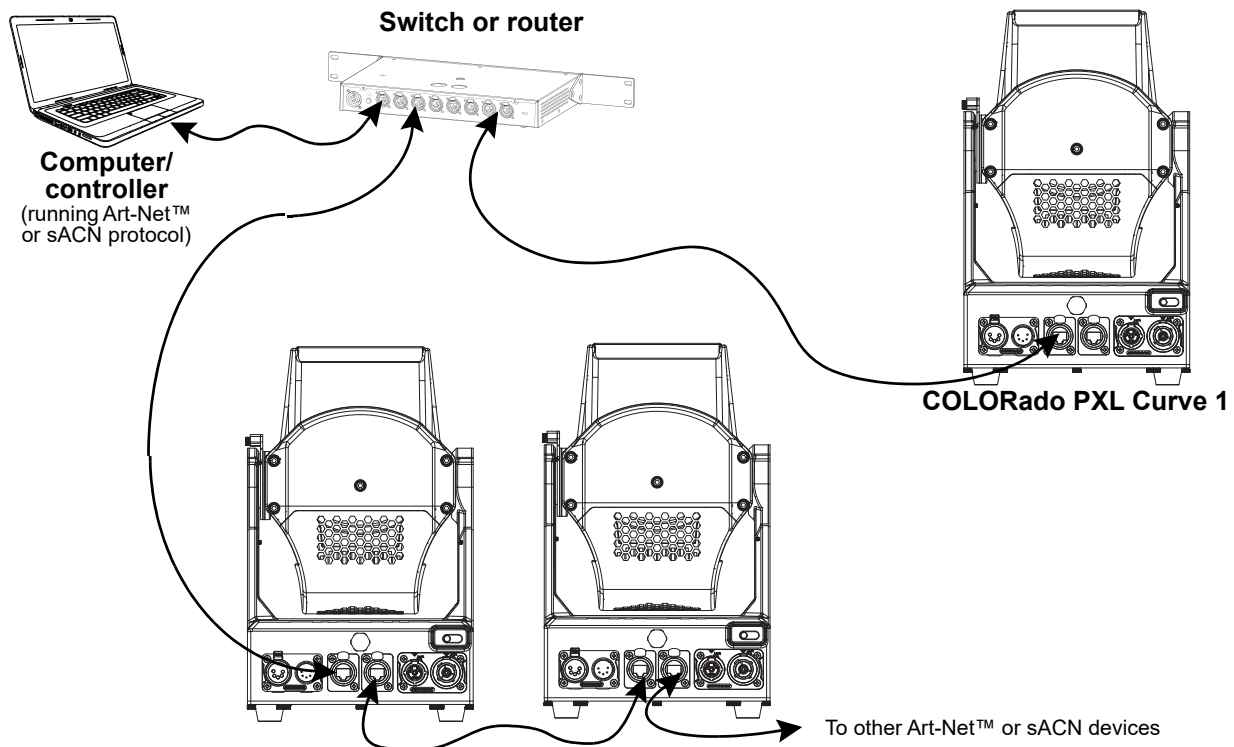
Art-Net™ is an Ethernet protocol that uses TCP/IP which transfers a large amount of DMX512 data using an ethernet connection over a large network. An Art-Net™ protocol document is available from www.chauvetprofessional.com.

Art-Net™ designed by and copyright Artistic Licence Holdings Ltd.

sACN Connection

Also known as ANSI E1.31, streaming ACN is an Ethernet protocol that uses the layering and formatting of Architecture for Control Networks to transport DMX512 data over IP or any other ACN compatible network.

Ethernet Connection Diagram



The three LED indicators in between the Ethernet through ports indicate a connection to a network and activity on that network. They do not indicate whether or not the COLORado PXL Curve 1 is receiving a signal from a controller.

Software Update

Upload 08

It is possible to update software to the COLORado PXL Curve 1 using an Upload 08. The Upload 08 is a USB-supported hardware device which is compatible with both Rogue and Maverick moving head fixtures via DMX connection. For instructions on how to setup the Upload 08 for software updates, see

<https://chauvetprofessional.com/product/upload-08/#downloads>.

To upload software via Upload 08:

1. Connect the Upload 08 to a PC via USB connection.
2. Connect the Upload 08 to the target fixture via 5-pin DMX.
3. If uploading to more than one fixture, connect the target fixture to the remaining fixtures. (Upload 08 supports up to 12 fixtures at once).
4. Power on all of the products.
5. Follow the directions on the screen to upload software.

Fixture to Fixture

It is possible to flash the software from one COLORado PXL Curve 1 fixture onto a maximum of 14 other COLORado PXL Curve 1 fixtures at once. To flash the software from one fixture onto other COLORado PXL Curve 1 fixtures:

1. Connect the target fixtures to the main fixture in a daisy chain via 5-pin DMX with the main fixture as the first in the chain.
2. Power on all of the products.
3. On the main fixture, go to the **Service** main level in the menu map and select **Update From Me**.
4. Select **YES** to begin upload.

Setup

Mounting

Before mounting the product, read and follow the safety recommendations indicated in the [Safety Notes](#).

Orientation

Always mount this product in a safe position, making sure there is adequate room for ventilation, configuration, and maintenance.

Rigging

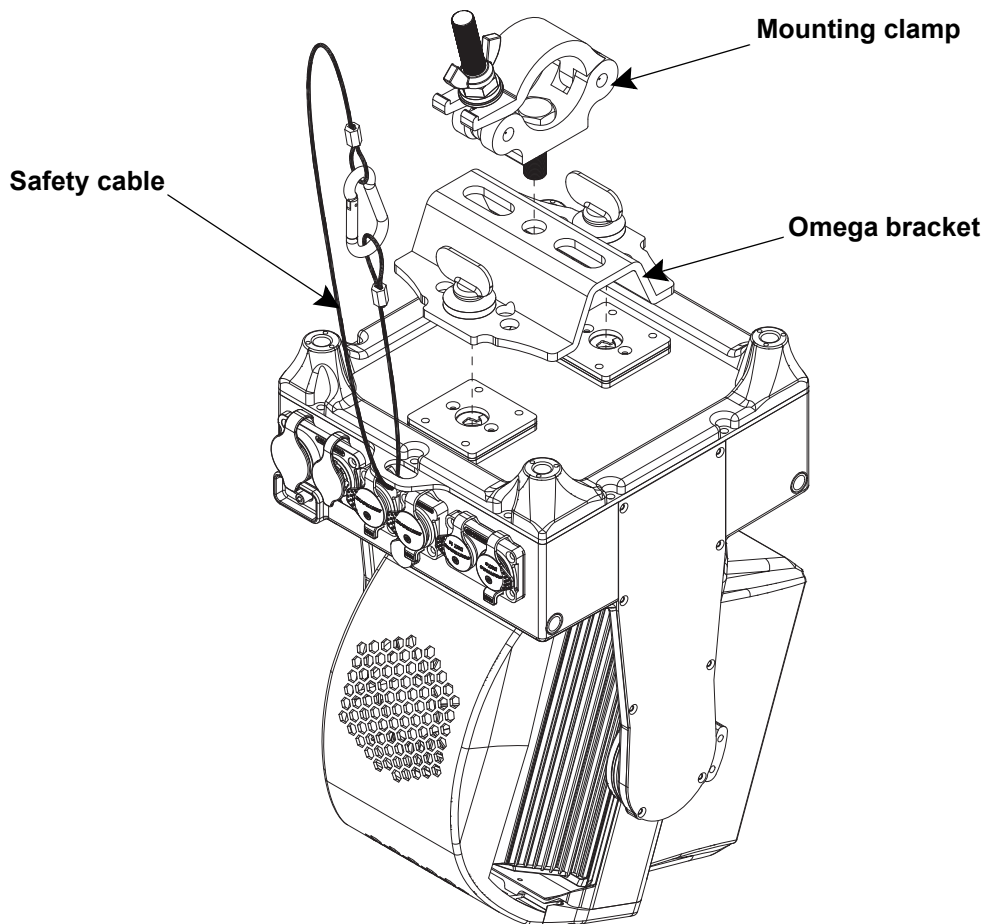
Chauvet recommends using the following general guidelines when mounting this product.

- Before deciding on a location for the product, make sure there is easy access to the product for maintenance and programming purposes.
- Make sure that the structure and attachment points can support the weight before hanging the product (see the [Technical Specifications](#) for weight information).
- When mounting the product overhead, always use a safety cable. Mount the product securely to a rigging point, whether an elevated platform or a truss.
- When rigging the product onto a truss, use a mounting clamp of appropriate weight capacity.
- When power linking multiple products, mount the products close enough for power-linking cables to reach.
- The bracket adjustment knobs allow for directional adjustment when aiming the product to the desired angle. Only loosen or tighten the bracket knobs manually. Using tools could damage the knobs.

Procedure

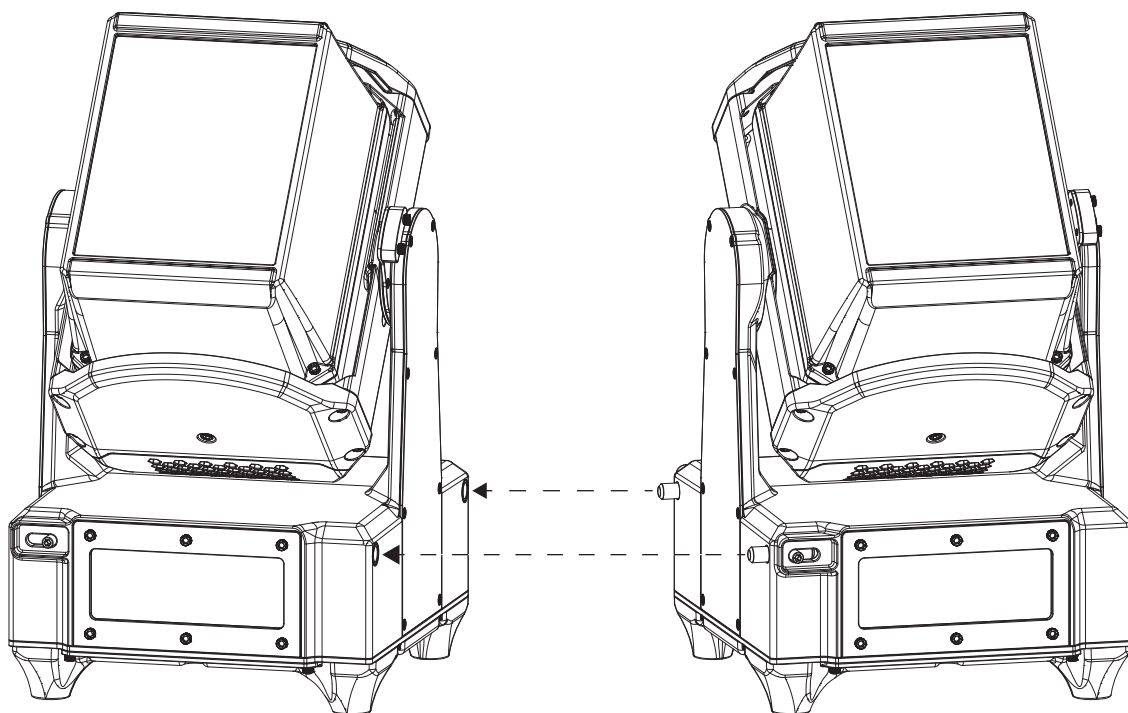
The COLORado PXL Curve 1 comes with an Omega bracket. The user can directly attach a mounting clamp (sold separately) to this Omega bracket. Make sure the clamp is capable of supporting the weight of this product. For the Chauvet Professional line of mounting clamps, go to <http://www.trusst.com/products>.

Mounting Diagram



Aligning Multiple Fixtures





The COLORado PXL Curve 1 comes with integrated alignment hardware. To align multiple fixtures, extend the integrated alignment pins and press-fit them into the alignment sockets of the next fixture.



Always ensure each fixture has a separate safety cable and mounting clamp when mounting overhead.

4. Operation

Control Panel Description

Button	Name	Function
	<Menu>	Exits the current menu or function
	<Enter>	Enables the currently displayed menu or sets a selected value into a function
	<Up>	Navigates upwards through the menu or increases the numeric value of a function
	<Down>	Navigates downwards through the menu or decreases the numeric value of a function

Control Options

Set the COLORado PXL Curve 1 starting address in the **001-489** DMX range. This enables control of up to 10 products in the 24-channel **Basic** personality.

Programming

Refer to the menu map to understand the menu options. The menu map shows the main menu and a variable number of programming levels for each option.

- To access the main menu from the [Home Screen](#), press <MENU>.
- To navigate to the desired option in the main menu, press <MENU> repeatedly until the option is indicated, or use <UP> or <DOWN> to navigate directly.
- Press <ENTER> to select the indicated option.
- Use <UP> or <DOWN> to navigate within a programming level until the desired option is indicated.
- To return to the main menu, press <MENU> repeatedly until it shows on the display.
- Press and hold <MENU> to return to the home screen.

Control options can also be accessed through the [Test Mode](#).

Home Screen

The COLORado PXL Curve 1 has a home screen that shows the current control protocols, personalities, starting addresses, IP addresses, and universes. To see the home screen, press <MENU> repeatedly until it shows on the display. From the home screen, press <ENTER> to reach the main menu.

Menu Map

Refer to the COLORado PXL Curve 1 product page on www.chauvetprofessional.com for the latest menu map.

Main Level	Programming Levels		Description	
Setup	Protocol	DMX	Sets the control protocol	
		ArtNet		
		sACN		
	Mode	Basic-High	Sets the DMX personality (see Control Personalities)	
		Basic		
		Standard		
		Advanced		
		Basic Raw		
	Address	001–512		Sets the starting address
	Universe	00000–32767		Sets the Art-Net™ or sACN universe
	Network	IP Mode	Static	Product sets IP address
			DHCP	Network sets IP address
		IP _____._____._____		Sets the IP address in Manual mode
		SMK _____._____._____		Sets the Subnet Mask in Manual mode
Network Reset		NO	Do not reset to default network settings	
		YES	Reset to default network settings	
Fixture ID	000000000–4294967295		Set fixture ID	
Reset Defaults	NO		Do not reset all factory defaults	
	YES		Reset all factory defaults	
Options	Dimmer Curve	Linear	Set the dimmer curve	
		Square		
		I Square		
		SCurve		
	Dimmer Response	Smooth		Set the dimmer speed
		Fast		
	PWM	600Hz		Sets the PWM frequency
		1200Hz		
		2000Hz		
		4000Hz		
		6000Hz		
	White Point	ON		Default light output temperature set to 7500K
		OFF		Deactivates calibrated white setting
		Custom		Adjust light output temperature using White Balance setting
White Balance	Red	000–255	Sets red LED maximum value	
	Green	000–255	Sets green LED maximum value	
	Blue	000–255	Sets blue LED maximum value	
	White	000–255	Sets white LED maximum value	
CMY Color Mode	RGBW		RGBW mode (additive)	
	CMY		CMY mode (subtractive)	

Main Level	Programming Levels		Description	
Options (cont.)	Pan / Tilt	Pan Reverse	NO	Normal pan
			YES	Reversed pan
		Tilt Reverse	NO	Normal tilt
			YES	Reversed tilt
		Pan Range	60	60° pan range
			40	40° pan range
			20	20° pan range
		Tilt Range	190	190° tilt range
			180	180° tilt range
			60	60° tilt range
	P/T Blackout	NO	Do not black out while panning/tilting	
		YES	Blackout while panning/tilting	
	P/T Blackout	NO		Do not black out while panning/tilting
		YES		Blackout while panning/tilting
	Display	Display Invert	None	Normal display
			Invert	Inverted display
			Auto	Automatic display orientation
		Display Sleep	Always On	Display backlight always on
			30 S	Turns off display backlight after 30 seconds of inactivity
			60 S	Turns off display backlight after 60 seconds of inactivity
	300 S	Turns off display backlight after 300 seconds of inactivity		
	Zoom Reverse	NO		Normal zoom
		YES		Reversed zoom
	Data Loss Blackout	Off		Holds last signal received
		On		Blacks out fixture
	TV Reset Mode	NO		Normal startup calibration
		YES		Set startup calibration to be quieter (lasts longer than normal startup)
	Tilt Mode	Smooth		Set the tilt speed
		Fast		
	Preset Select	Preset A		Recorded preset menu options
		Preset B		
		Preset C		
Preset Sync	NO		Allows recorded preset menu options to be transferred to other COLORado PXL Curve 1 fixtures in the DMX daisy chain	
	YES			
Resets	Reset Defaults	NO	Do not reset all factory defaults	
		YES	Reset all factory defaults	
	All Motors Reset	NO	Do not reset motor factory defaults	
		YES	Reset motor factory defaults	
	P/T Reset	NO	Do not reset all pan/tilt factory defaults	
		YES	Reset all pan/tilt factory defaults	
	Zoom Reset	NO	Do not reset zoom factory defaults	
		YES	Reset zoom factory defaults	

Main Level	Programming Levels		Description	
Info	Fixture Info	Version	V1.260330	Shows firmware version
		Temperature	---	Shows current product temperature in °C
		Fixture Hours	-----	Shows number of hours product has been powered on
		LED Hours	-----	Shows number of hours the LED has been powered on
		MAC Address	-----	Shows MAC address
		RDM UID	-----	Shows product UID
	Setup Info	Protocol		Shows current setup information
		Address		
		Universe		
		IP		
	Fan Info	Subnet		Shows the speed of fans in rpm
		FAN1 SP	----	
	FAN2 SP			
Service	Auto Test		Auto test all functions	
	Manual Test	Pan	000-255	Manually control and test all settings through the control panel
		Tilt		
		Pan/Tilt Speed		
		Red		
		Green		
		Blue		
		White		
		Cell Dimmer CW		
		Cell Dimmer WW		
		Center CTC		
		Cell CTC		
		Center Color		
		Cell Pattern		
		Cell Macro		
		Cell Macro Speed		
		Cell Macro Delay		
		Center Dimmer		
	Center Strobe			
Strobe Cell				
Zoom				
CONTROL				
Update From Me	NO		Do not update other COLORado PXL Curve 1 fixtures using this fixture	
	YES		Flash the software from this fixture onto other connected COLORado PXL Curve 1 fixtures	

Operation

Control Configuration

Use control configurations to operate the product with a DMX, Art-Net™, or sACN controller.

Protocol

To set the control protocol:

1. Go to the **Protocol** main level.
2. Select the desired protocol, from **DMX512**, **ArtNet**, or **sACN**.

DMX Personalities

To set the DMX personality:

1. Go to the **DMX Channel** main level.
2. Select the desired personality, from **Advanced**, **Standard**, **Basic High Resolution**, **Basic Raw**, or **Basic**.



- See [Starting Address](#) for the highest selectable starting address for each personality.
- Make sure that the starting addresses on the various products do not overlap due to the new personality setting.

Starting Address

Each product will respond to a unique starting address from the controller. All products with the same starting address will respond in unison. To set the starting address in DMX mode:

1. Go to the **DMX Address** main level.
2. Select the starting address (**001–512**).

Personality	Channels	Highest Address	Products per Universe
Advanced	71	442	7
Standard	39	474	13
Basic High Resolution	31	482	16
Basic Raw	37	476	13
Basic	24	489	21

Universe

The Art-Net™ and sACN control protocols require a universe address in addition to the starting address. To assign a universe to the control mode when using Art-Net™ or sACN:

1. Go to the **Setup** main level.
2. Select the **Universe** option.
3. Select the universe (**0–32767** for **ArtNet**, or **1–63999** for **sACN**).

Network Setting

The Network Setting options control the IP address and subnet mask of the product.

To access the **Network Settings** menu:

1. Go to the **Setup** main level.
2. Select the **Network** option.

IP Mode

To choose how the IP address is set:

1. Access the [Network Setting](#) menu.
2. Select the **IP Mode** option.
3. Select the desired IP mode from **DHCP** (the IP address is assigned by the connected network) or **Static** (the product uses a default, preset IP address).

Manual IP Address

To set the IP address manually:

1. Access the [Network Setting](#) menu.
2. Select the **IP** option.
3. Set the 4 values of the IP address from **000–255**.

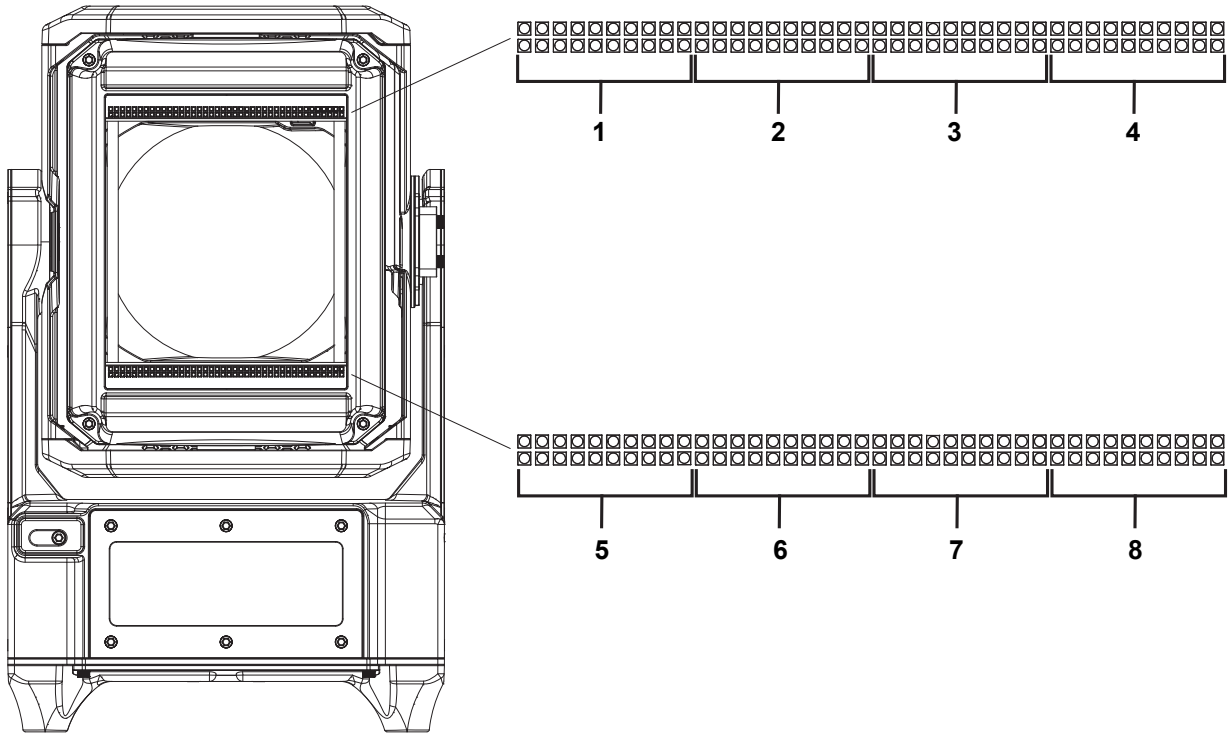
Subnet Mask

To set the subnet mask:

1. Access the [Network Setting](#) menu.
2. Select the **SMK** option.
3. Set the 4 values of the subnet mask from **000–255**.

DMX Channel Assignments and Values

Zones of Control



Operation

Advanced (71 Ch) / Standard (39 Ch) / Basic Raw (37 Ch)

37	39	71	Function	Value	Percent/Setting
1	1	1	Pan	000 ⇔ 255	0–100%
2	2	2	Fine pan	000 ⇔ 255	16-bit 0–100%
3	3	3	Tilt	000 ⇔ 255	0–100%
4	4	4	Fine tilt	000 ⇔ 255	16-bit 0–100%
5	5	5	Pan/Tilt speed	000 ⇔ 255	Fast to slow
6	6	6	Control	000 ⇔ 009	See the Control Chart
7	7	7	Center dimmer	000 ⇔ 255	0–100%
8	8	8	Fine center dimmer	000 ⇔ 255	16-bit 0–100%
9	9	9	Center red (cyan)	000 ⇔ 255	0–100%
10	–	10	Center fine red (cyan)	000 ⇔ 255	16-bit 0–100%
11	10	11	Center green (magenta)	000 ⇔ 255	0–100%
12	–	12	Center fine green (magenta)	000 ⇔ 255	16-bit 0–100%
13	11	13	Center blue (yellow)	000 ⇔ 255	0–100%
14	–	14	Center fine blue (yellow)	000 ⇔ 255	16-bit 0–100%
15	12	15	Center white	000 ⇔ 255	0–100%
16	–	16	Center fine white	000 ⇔ 255	16-bit 0–100%
17	13	17	Center CTC	000 ⇔ 009 010 ⇔ 255	No function Color temperature correction, 2700–10000K
18	14	18	Zoom	000 ⇔ 255	0–100%
19	15	19	Fine zoom	000 ⇔ 255	16-bit, 0–100%
20	16	20	Center strobe	000 ⇔ 255	See the Color Macro Chart
21	17	21	Center color macro	000 ⇔ 255	See the Color Macro Chart
22	18	22	CW cell 1 dimmer	000 ⇔ 255	0–100%
–	–	23	CW cell 1 fine dimmer	000 ⇔ 255	16-bit 0–100%
23	19	24	WW cell 1 dimmer	000 ⇔ 255	0–100%
–	–	25	WW cell 1 fine dimmer	000 ⇔ 255	16-bit 0–100%
–	–	26	CW/WW cell 1 CTC	000 ⇔ 009 010 ⇔ 255	No function Color temperature correction, 2700–10000K
24	20	27	CW cell 2 dimmer	000 ⇔ 255	0–100%
–	–	28	CW cell 2 fine dimmer	000 ⇔ 255	16-bit 0–100%
25	21	29	WW cell 2 dimmer	000 ⇔ 255	0–100%
–	–	30	WW cell 2 fine dimmer	000 ⇔ 255	16-bit 0–100%
–	–	31	CW/WW cell 2 CTC	000 ⇔ 009 010 ⇔ 255	No function Color temperature correction, 2700–10000K
26	22	32	CW cell 3 dimmer	000 ⇔ 255	0–100%
–	–	33	CW cell 3 fine dimmer	000 ⇔ 255	16-bit 0–100%
27	23	34	WW cell 3 dimmer	000 ⇔ 255	0–100%
–	–	35	WW cell 3 fine dimmer	000 ⇔ 255	16-bit 0–100%
–	–	36	CW/WW cell 3 CTC	000 ⇔ 009 010 ⇔ 255	No function Color temperature correction, 2700–10000K
28	24	37	CW cell 4 dimmer	000 ⇔ 255	0–100%
–	–	38	CW cell 4 fine dimmer	000 ⇔ 255	16-bit 0–100%
29	25	39	WW cell 4 dimmer	000 ⇔ 255	0–100%
–	–	40	WW cell 4 fine dimmer	000 ⇔ 255	16-bit 0–100%
–	–	41	CW/WW cell 4 CTC	000 ⇔ 009 010 ⇔ 255	No function Color temperature correction, 2700–10000K
30	26	42	CW cell 5 dimmer	000 ⇔ 255	0–100%
–	–	43	CW cell 5 fine dimmer	000 ⇔ 255	16-bit 0–100%
31	27	44	WW cell 5 dimmer	000 ⇔ 255	0–100%
–	–	45	WW cell 5 fine dimmer	000 ⇔ 255	16-bit 0–100%

37	39	71	Function	Value	Percent/Setting
-	-	46	CW/WW cell 5 CTC	000 ⇔ 009 010 ⇔ 255	No function Color temperature correction, 2700–10000K
32	28	47	CW cell 6 dimmer	000 ⇔ 255	0–100%
-	-	48	CW cell 6 fine dimmer	000 ⇔ 255	16-bit 0–100%
33	29	49	WW cell 6 dimmer	000 ⇔ 255	0–100%
-	-	50	WW cell 6 fine dimmer	000 ⇔ 255	16-bit 0–100%
-	-	51	CW/WW cell 6 CTC	000 ⇔ 009 010 ⇔ 255	No function Color temperature correction, 2700–10000K
34	30	52	CW cell 7 dimmer	000 ⇔ 255	0–100%
-	-	53	CW cell 7 fine dimmer	000 ⇔ 255	16-bit 0–100%
35	31	54	WW cell 7 dimmer	000 ⇔ 255	0–100%
-	-	55	WW cell 7 fine dimmer	000 ⇔ 255	16-bit 0–100%
-	-	56	CW/WW cell 7 CTC	000 ⇔ 009 010 ⇔ 255	No function Color temperature correction, 2700–10000K
36	32	57	CW cell 8 dimmer	000 ⇔ 255	0–100%
-	-	58	CW cell 8 fine dimmer	000 ⇔ 255	16-bit 0–100%
37	33	59	WW cell 8 dimmer	000 ⇔ 255	0–100%
-	-	60	WW cell 8 fine dimmer	000 ⇔ 255	16-bit 0–100%
-	-	61	CW/WW cell 8 CTC	000 ⇔ 009 010 ⇔ 255	No function Color temperature correction, 2700–10000K
-	34	-	CW/WW cells CTC	000 ⇔ 009 010 ⇔ 255	No function Color temperature correction presets
-	35	-	CW/WW cells strobe	000 ⇔ 255	See the Color Macro Chart
-	36	-	CW/WW cells pattern	000 001 ⇔ 215 216 ⇔ 255	No function Pattern 1–215 Pattern 216
-	37	-	CW/WW cells macro	000 ⇔ 255	See the Cells Macro Chart
-	38	-	CW/WW cells macro speed	000 ⇔ 127 128 129 ⇔ 255	Fast to slow Stop Slow to fast
-	39	-	CW/WW cells macro delay	000 ⇔ 255	Fast to slow
-	-	62	CW strobe cell	000 ⇔ 255	See the Color Macro Chart
-	-	63	CW cell pattern	000 001 ⇔ 215 216 ⇔ 255	No function Pattern 1–215 Pattern 216
-	-	64	CW cell macro	000 ⇔ 255	See the Cells Macro Chart
-	-	65	CW cell macro speed	000 ⇔ 127 128 129 ⇔ 255	Fast to slow Stop Slow to fast
-	-	66	CW cell macro delay	000 ⇔ 255	Fast to slow
-	-	67	WW strobe cell	000 ⇔ 255	See the Color Macro Chart
-	-	68	WW cell pattern	000 001 ⇔ 215 216 ⇔ 255	No function Pattern 1–215 Pattern 216
-	-	69	WW cell macro	000 ⇔ 255	See the Cells Macro Chart
-	-	70	WW cell macro speed	000 ⇔ 127 128 129 ⇔ 255	Fast to slow Stop Slow to fast
-	-	71	WW cell macro delay	000 ⇔ 255	Fast to slow

Operation

Basic High Resolution (31 Ch) / Basic (24 Ch)

24	31	Function	Value	Percent/Setting
1	1	Pan	000 ⇔ 255	0–100%
2	2	Fine pan	000 ⇔ 255	16-bit 0–100%
3	3	Tilt	000 ⇔ 255	0–100%
4	4	Fine tilt	000 ⇔ 255	16-bit 0–100%
5	5	Pan/Tilt speed	000 ⇔ 255	Fast to slow
6	6	Control	000 ⇔ 255	See the Control Chart
7	7	Center dimmer	000 ⇔ 255	0–100%
8	8	Center fine dimmer	000 ⇔ 255	16-bit 0–100%
9	9	Center red	000 ⇔ 255	0–100%
–	10	Center fine red	000 ⇔ 255	16-bit 0–100%
10	11	Center green	000 ⇔ 255	0–100%
–	12	Center fine green	000 ⇔ 255	16-bit 0–100%
11	13	Center blue	000 ⇔ 255	0–100%
–	14	Center fine blue	000 ⇔ 255	16-bit 0–100%
12	15	Center white	000 ⇔ 255	0–100%
–	16	Center fine white	000 ⇔ 255	16-bit 0–100%
13	17	Center CTC	000 ⇔ 009 010 ⇔ 255	No function Color temperature correction, 2700–10000K
–	18	Center fine CTC	000 ⇔ 255	Fine color temperature correction, -29.675–0K
14	19	Zoom	000 ⇔ 255	0–100%
15	20	Fine zoom	000 ⇔ 255	16-bit 0–100%
16	21	Center strobe	000 ⇔ 255	See the Color Macro Chart
17	22	Center color macro	000 ⇔ 255	See the Color Macro Chart
18	23	CW/WW cells dimmer	000 ⇔ 255	0–100%
–	24	CW/WW cells fine dimmer	000 ⇔ 255	16-bit 0–100%
19	25	CW/WW cells CTC	000 ⇔ 009 010 ⇔ 255	No function Color temperature correction presets
–	26	CW/WW cells fine CTC	000 ⇔ 255	Fine color temperature correction, -29.675–0K
20	27	CW/WW cells strobe	000 ⇔ 255	See the Color Macro Chart
21	28	CW/WW cells pattern	000 001 ⇔ 215 216 ⇔ 255	No function Pattern 1–215 Pattern 216
22	29	CW/WW cells macro	000 ⇔ 255	See the Cells Macro Chart
23	30	CW/WW cells macro speed	000 ⇔ 127 128 129 ⇔ 255	Fast to slow Stop Slow to fast
24	31	CW/WW cells macro delay	000 ⇔ 255	Fast to slow

Control Chart

Value	Percent/Setting	Value	Percent/Setting
000 ⇔ 005	No function	083	PWM 2000 Hz
006 ⇔ 010	All motors reset	084	Reserved for future use
011	Reserved for future use	085	PWM 4000 Hz
012	Zoom reset	086	PWM 6000 Hz
013	Pan/tilt reset	087	PWM 15 kHz
014 ⇔ 019	Reserved for future use	088 ⇔ 099	Reserved for future use
020	Linear dimmer curve	100	CMY (subtractive) color mix
021	Square dimmer curve	101	RGBW (additive) color mix
022	I-Square dimmer curve	102 ⇔ 109	Reserved for future use
023	S-Curve dimmer curve	110	Full mode
024 ⇔ 032	Reserved for future use	111	White mode
033	Smooth dimmer	112 ⇔ 149	No function
034	Fast dimmer	150	No blackout on Pan/Tilt
035 ⇔ 059	No function	151	Blackout on Pan/Tilt
060	Pan normal	152 ⇔ 159	Reserved for future use
061	Pan reverse	160	No blackout on data loss
062	Tilt normal	161	Blackout on data loss
063	Tilt reverse	162 ⇔ 199	Reserved for future use
064 ⇔ 079	Reserved for future use	200	Reset defaults
080	PWM 600 Hz	201 ⇔ 250	Reserved for future use
081	Reserved for future use	251 ⇔ 255	No function
082	PWM 1200 Hz		

Color Macro Chart

Value	Setting	Red	Green	Blue	White
000	No function	-	-	-	-
001 ⇔ 002	3200K	243	211	000	055
003 ⇔ 004	4000K	177	177	000	100
005 ⇔ 006	2700K	255	175	000	050
007 ⇔ 008	4200K	251	255	008	145
009 ⇔ 010	5600K	109	146	000	210
011 ⇔ 012	6500K	106	157	012	211
013 ⇔ 014	7500K	066	127	011	255
015 ⇔ 048	Blue to cyan	000	+	255	000
049	Cyan	000	255	255	000
050 ⇔ 086	Cyan to green	000	255	-	000
087	Green	000	255	000	000
088 ⇔ 124	Green to yellow	+	255	000	000
125	Yellow	255	255	000	000
126 ⇔ 162	Yellow to red	255	-	000	000
163	Red	255	000	000	000
164 ⇔ 201	Red to magenta	255	000	+	000
202	Magenta	255	000	255	000
203 ⇔ 238	Magenta to blue	-	000	255	000
239	Blue	000	000	255	000
240 ⇔ 247	Color fade, fast to slow				
248 ⇔ 255	Color snap, fast to slow				

Operation

Strobe Chart

Value	Percent/Setting	Value	Percent/Setting
000 ⇔ 019	Off	145 ⇔ 149	On
020 ⇔ 024	On	150 ⇔ 164	Random strobe 0–100%*
025 ⇔ 064	Strobe*	165 ⇔ 169	On
065 ⇔ 069	On	170 ⇔ 184	Pulse strobe
070 ⇔ 084	Strobe 100–0%*	185 ⇔ 189	On
085 ⇔ 089	On	190 ⇔ 204	Random pulse strobe*
090 ⇔ 104	Strobe 0–100%*	205 ⇔ 209	On
105 ⇔ 109	On	210 ⇔ 224	Strobe 0–100–0%*
110 ⇔ 124	Random strobe*	225 ⇔ 229	On
125 ⇔ 129	On	230 ⇔ 244	Pulse strobe*
130 ⇔ 144	Random strobe 100–0%*	245 ⇔ 255	On

*All strobe value ranges go from fast to slow

Cells Macro Chart

Value	Setting	Value	Setting
000 ⇔ 015	No function	136 ⇔ 137	Macro 36
016 ⇔ 017	Macro 1	138 ⇔ 139	Macro 37
018 ⇔ 019	Macro 2	140 ⇔ 141	Macro 38
020 ⇔ 021	Macro 3	142 ⇔ 143	Macro 39
022 ⇔ 023	Macro 4	144 ⇔ 145	Macro 40
024 ⇔ 025	Macro 5	146 ⇔ 147	Macro 41
026 ⇔ 027	Macro 6	148 ⇔ 149	Macro 42
028 ⇔ 029	Macro 7	150 ⇔ 151	Macro 43
030 ⇔ 031	Macro 8	152 ⇔ 153	Macro 44
032 ⇔ 033	Macro 9	154 ⇔ 155	Macro 45
034 ⇔ 035	Macro 10	156 ⇔ 157	Macro 46
036 ⇔ 037	Macro 11	158 ⇔ 159	Macro 47
038 ⇔ 039	Macro 12	160 ⇔ 161	Macro 48
040 ⇔ 041	Macro 13	162 ⇔ 163	Macro 49
042 ⇔ 043	Macro 14	164 ⇔ 165	Macro 50
044 ⇔ 045	Macro 15	166 ⇔ 167	Macro 51
046 ⇔ 047	Macro 16	168 ⇔ 169	Macro 52
048 ⇔ 049	Macro 17	170 ⇔ 171	Macro 53
050 ⇔ 051	Macro 18	172 ⇔ 173	Macro 54
052 ⇔ 053	Macro 19	174 ⇔ 175	Macro 55
054 ⇔ 055	Macro 20	176 ⇔ 177	Macro 56
056 ⇔ 057	Macro 21	178 ⇔ 179	Macro 57
058 ⇔ 059	Macro 22	180 ⇔ 181	Macro 58
060 ⇔ 061	Macro 23	182 ⇔ 183	Macro 59
062 ⇔ 063	Macro 24	184 ⇔ 185	Macro 60
064 ⇔ 065	Macro 25	186 ⇔ 187	Macro 61
066 ⇔ 067	Macro 26	188 ⇔ 189	Macro 62
068 ⇔ 069	Macro 27	190 ⇔ 191	Macro 63
070 ⇔ 071	Macro 28	192 ⇔ 193	Macro 64
072 ⇔ 073	Macro 29	194 ⇔ 195	Macro 65
074 ⇔ 075	Macro 30	196 ⇔ 197	Macro 66
076 ⇔ 077	Macro 31	198 ⇔ 199	Macro 67
078 ⇔ 079	Macro 32	200 ⇔ 201	Macro 68
080 ⇔ 081	Macro 33	202 ⇔ 203	Macro 69
082 ⇔ 083	Macro 34	204 ⇔ 255	Macro 70 (main macro)
084 ⇔ 135	Macro 35 (main macro)		

Settings Configuration

Dimmer Curve

To set the dimmer curve:

1. Go to the **Options** main level.
2. Select **Dimmer Curve**.
3. Select from **S Curve**, **Linear**, **Square**, or **Inverse Square**.

Dimmer Response

To set the dimmer speed:

1. Go to the **Options** main level.
2. Select **Dimmer Response**.
3. Select **Smooth** or **Fast**.

Pulse Width Modulation

To set the frequency of the pulse width modulation:

1. Go to the **Options** main level.
2. Select **PWM**.
3. Select the PWM frequency, from **600Hz**, **1200Hz**, **2000Hz**, **4000Hz**, **6000Hz**, or **15KHz**.

White Point

When activated, White Point sets the light output temperature to 7500K. To activate the White Point setting:

1. Go to the **Options** main level.
2. Select **White Point**.
3. Select **ON** (activates White Point), **OFF** (deactivates White Point), or **Custom** (adjust light output temperature using the White Balance setting).

White Balance

To set the maximum values of a given LED color to create a white light output:

1. Go to the **Options** main level.
2. Select **White Balance**.
3. Select the color value to change (**Red**, **Green**, **Blue**, or **White**).
4. Set the color value, **000–255**.

CMY Color Mode

To select between RGBW and CMY color modes:

1. Go to the **Options** main level.
2. Select **CMY Color Mode**.
3. Select **RGBW** or **CMY**.

Pan/Tilt

To adjust pan and tilt settings:

1. Go to the **Options** main level.
2. Select **Pan/Tilt**.
3. Select which setting to adjust from **Pan Reverse**, **Tilt Reverse**, **Pan Range**, **Tilt Range**, or **P/T Blackout**.
4. If **Pan Reverse** or **Tilt Reverse**, select **NO** (normal pan/tilt) or **YES** (reversed pan/tilt).
5. If **Pan Range** or **Tilt Range**, select the desired range of motion in degrees from **20**, **40**, or **60** for pan and **60**, **180**, or **190** for tilt.
6. If **P/T Blackout**, select **NO** (does not blackout when panning/tilting) or **YES** (blacks out when panning/tilting)

Display

To adjust display settings:

1. Go to the **Options** main level.
2. Select **Display**.
3. Select from **Display Invert** or **Display Sleep**.
4. If **Display Invert** is selected, choose from **None** (normal display), **Invert** (inverted display), or **Auto** (automatic display orientation).
5. If **Display Sleep** is selected, choose how long the display remains on during periods of inactivity from **Always On**, **30s**, **60s**, or **300s**.

Operation

Zoom Reverse

To set whether zoom goes from wide to narrow or from narrow to wide

1. Go to the **Options** main level.
2. Select **Zoom Reverse**.
3. Select **NO** (wide to narrow) or **YES** (narrow to wide).

Data Loss Blackout

To select what happens when the data signal is lost to the fixture:

1. Go to the **Options** main level.
2. Select **Data Loss Blackout**.
3. Select **Off** (holds last signal received) or **On** (blacks out fixture).

TV Reset Mode

The COLORado PXL Curve 1 can be configured to have a quieter startup calibration. To select for a quieter startup calibration:

1. Go to the **Options** main level.
2. Select **TV Reset Mode**.
3. Select **NO** (normal startup calibration) or **YES** (quieter startup calibration).

Tilt Mode

To set the tilt speed:

1. Go to the **Options** main level.
2. Select **Tilt Speed**.
3. Select **Smooth** or **Fast**.

Preset Select

The COLORado PXL Curve 1 has three presets. Every time a setting is changed in the fixture, the current preset is update to include that change. To load a preset:

1. Go to the **Options** main level.
2. Select **Preset Select**.
3. Select **Preset A**, **Preset B**, or **Preset C**.
4. The selected preset will load, and all changes made to the settings will save to that preset.

Preset Sync

Presets can be uploaded to other COLORado PXL Curve 1 fixtures using a DMX connection. To sync presets to another fixture:

1. Go to the **Options** main level.
2. Select **Preset Sync**.
3. Select **NO** (do not sync presets from this fixture) or **YES** (sync presets from this fixture to other connected fixtures).

Reset Functions

To reset factory defaults settings for all motors, pan and tilt, zoom, or all functions:

1. Go to the **Options** main level.
2. Select **Resets**.
3. Select the function to be reset (**Reset Defaults**, **All Motors Reset**, **P/T Reset**, or **Zoom Reset**).
4. Select **NO** (do not reset) or **YES** (reset).

System Information

All information about the current status of the COLORado PXL Curve 1 is available through the product's **Info** menu. To view this information:

1. Go to the **Info** main level.
2. Select the **Fixture Info**, **Setup Info**, or **Fan Info** sub menu.
3. Select the desired information from the following:

Fixture Info	Setup Info	Fan Info
<ul style="list-style-type: none"> • Version • Fixture Hours • LED Hours • MAC Address • RDM UID 	<ul style="list-style-type: none"> • Protocol • Address • Universe • IP 	<ul style="list-style-type: none"> • LFAN1 SP • LFAN2 SP

Test Mode

Auto Test

To perform an auto test of the COLORado PXL Curve 1

1. Go to the **Service** main level.
2. Select **Auto Test**.

Manual Test

1. Go to the **Service** main level.
2. Select **Manual Test**.
3. Select the function to test (**Pan, Tilt, Pan/Tilt Speed, Red, Green, Blue, White, Cell Dimmer CW, Cell Dimmer WW, Center CTC, Cell CTC, Center Color, Cell Pattern, Cell Macro, Cell Macro Speed, Cell Macro Delay, Center Dimmer, Center Strobe, Strobe Cell, Zoom, or CONTROL**).
4. Change the value of the tested function, **000–255**.

Web Server

The COLORado PXL Curve 1 Web Server can be accessed by any computer on the same network as the product. It allows network access to system information, settings such as control protocol and starting address, color output testing, and the ability to change the Web Server password.

1. Connect the product to a Windows computer with a network cable.
2. On the computer, set the IP address of the new network to have the same first 3 digits as the IP address of the product (See [IP Address](#)).
3. Enter the IP address of the product into the URL bar of a web browser on the computer.
4. Enter both the User Name and Password as **admin** to log in.

Home

The Web Server Home page displays the details of all available control personalities and the technical specifications for the COLORado PXL Curve 1.

Settings

The Web Server Settings page provides options for control. From the drop-down menus, the Protocol, Universe, Start Address, IP Address, Ethernet to DMX, Personality, Dimmer Curve, Dimmer Mode, and PWM Frequency can all be edited. Click **Save Settings** to send the new configuration to the product.

Output

On the Web Server Output page, an output test of the product's LEDs can be performed, by either editing the values of each LED manually (by typing the number or moving the fader), or by selecting a sample color. The page will show the current output color on the bottom left.

Security

The Web Server Security page gives the option to change the password to the connected product's web server. Enter the old password (**admin**, by default) and the new password twice, then click **Save Settings** to change the password.

Operation

Error Codes

See the table below for error codes and recommended solutions:

Error Code	Possible Reason	Potential Solution
CPU-A	The display PCB is damaged	Replace the display board
	CPU-A software upload failed	Re-upload the CPU-A software
CPU-B	The pan/tilt driver PCB is damaged	Replace the pan/tilt driver board
	CPU-B software upload failed	Re-upload the CPU-B software
CPU-C	The gobo/color motor driver PCB is damaged	Replace the gobo/color motor driver PCB
	CPU-C software upload failed	Re-upload the CPU-C software
LFAN1	L Fan 1 is damaged	Replace L fan 1
	Fan wires have poor connection	Check fan wire connection
LFAN2	L Fan 2 is damaged	Replace L fan 2
	Fan wires have poor connection	Check fan wire connection
LED_HOT	Overheated LED	Do a factory reset
		Update software
		Check connections
		Check fan functions
R-OPEN	Thermistor open	Do a factory reset
		Update software
		Check connection
		Replace thermistor
R-SHORT	Thermistor short	Do a factory reset
		Update software
		Check connection
		Replace thermistor
X_op	Pan optocoupler board is damaged	Replace the pan optocoupler board
	Pan/tilt driver board is damaged	Replace the pan/tilt driver board
Y_op	Tilt optocoupler board is damaged	Replace the tilt optocoupler board
	Pan/tilt driver board is damaged	Replace the pan/tilt driver board

5. Maintenance

Product Maintenance

Dust build-up reduces light output performance and can cause overheating. This can lead to reduction of the light source's life and/or mechanical wear. To maintain optimum performance and minimize wear, clean each lighting product at least twice a month. However, be aware that usage and environmental conditions could be contributing factors to increase the cleaning frequency.

To clean the product, follow the instructions below:

1. Unplug the product from power.
2. Wait until the product is at room temperature.
3. Use a vacuum (or dry compressed air) and a soft brush to remove dust collected on the external surface/vents.
4. Clean all transparent surfaces with a mild soap solution, ammonia-free glass cleaner, or isopropyl alcohol.
5. Apply the solution directly to a soft, lint free cotton cloth or a lens cleaning tissue.
6. Softly drag any dirt or grime to the outside of the transparent surface.
7. Gently polish the transparent surfaces until they are free of haze and lint.



Always dry the transparent surfaces carefully after cleaning them.



Do not spin the cooling fans with compressed air. Damage may result.

Maintenance

Torque Measurements

To maintain the IP rating when reassembling the product, use the given torque measurements for each of the following screws and bolts:

Fixture Parts	Torque Rating (Kgf.cm)	Torque Rating (lbf.in)
Faceplate screws	15.3	13.28
Foot screws	10.2	8.85
Base screws	16.32	14.16
1/4-turn fastener screws (Phillips head)	12.24	10.62
Data/power port screws	25.5	22.1
Screws around power and data ports	3.57	3.1
Fuse	6.12	5.31
Yoke plate	10.2	8.85
Main body	16.32	14.16

Vacuum Test Measurements

Use the IP Tester from Chauvet Professional to ensure the product has been reassembled correctly by following the information below:

Parameters	Values
Method	Positive
Test pressure	15 kPa
Test duration	60 seconds
PASS state leak pressure	<0.02 kPa

6. Technical Specifications

Dimensions and Weight

Length	Width	Height	Weight
8.46 in (215 mm)	7.83 in (199 mm)	13.62 in (346 mm)	15.8 lb (7.1 kg)

Note: Dimensions in inches are rounded.

Power

Power Supply Type	Range	Voltage Selection
Switching (internal)	100 to 240 VAC, 50/60 Hz	Auto-ranging

Parameter	100 V, 60 Hz	120 V, 60 Hz	208 V, 60 Hz	230 V, 50 Hz	240 V, 50 Hz
Consumption	285 W	280 W	270 W	277 W	277 W
Operating Current	2.80 A	2.30 A	1.30 A	1.22 A	1.17 A
Resting Current	0.30 A	0.30 A	0.24 A	0.21 A	0.20 A
Power Linking Current	12 A	12 A	12 A	12 A	12 A

Power I/O	U.S./Worldwide	UK/Europe
Power Input Connector	Seetronic Powerkon IP65	Seetronic Powerkon IP65
Power Output Connector	Seetronic Powerkon IP65	Seetronic Powerkon IP65
Power Cable plug	Edison	Local plug

Light Source

Type	Color	Quantity	Power	Current	Lifespan
LED	RGBW	1	120 W	5 A	50,000 hours
SMD-LED	Cool White Warm White	80 80			50,000 hours

Photometrics

Color Temperature Range	Color Temperature at Full
2700 to 19,000 K	22,089 K

Parameter	without Strobe	with Strobe
Beam Angle	3.2° to 30.3°	3.2° to 32.3°
Field Angle	3.7° to 38°	3.7° to 88.7°
Cutoff Angle	4° to 39.8°	4° to 145.1°
Zoom Range	3.2° to 39.8°	3.2° to 145.1°
Lumens	1,740	5,921
Illuminance @ 5 m (Narrow)	17,242 lux	17,786 lux
Illuminance @ 5 m (Wide)	328 lux	407 lux

Thermal

Maximum External Temperature	Cooling System
113 °F (45 °C)	Fan-assisted Convection

Control

DMX I/O Connector	Channel Range
5-pin XLR	24, 31, 37, 39, or 71

Ordering

Product Name	Item Name	Item Code	UPC Number
COLORADOPXLCURVE1	COLORado PXL Curve 1	81462230906	781462230906



UL 1573
CSA C22.2 No. 166
E113093



Contact Us

General Information	Technical Support
Chauvet World Headquarters	
Address: 3360 Davie Rd., Suite 509 Davie, FL 33314 Voice: (954) 577-4455 Fax: (954) 929-5560 Toll Free: (800) 762-1084	Voice: (844) 393-7575 Fax: (954) 756-8015 Email: chauvetcs@chauvetlighting.com Website: www.chauvetprofessional.com
Chauvet U.K.	
Address: Pod 1 EVO Park Little Oak Drive, Sherwood Park Nottinghamshire, NG15 0EB UK Voice: +44 (0) 1773 511115 Fax: +44 (0) 1773 511110	Email: UKtech@chauvetlighting.eu Website: www.chauvetprofessional.eu
Chauvet Benelux	
Address: Vaartlaan 9 9800 Deinze Belgium Voice: +32 9 388 93 97	Email: BNLtech@chauvetlighting.eu Website: www.chauvetprofessional.eu
Chauvet France	
Address: 3, Rue Ampère 91380 Chilly-Mazarin France Voice: +33 1 78 85 33 59	Email: FRtech@chauvetlighting.fr Website: www.chauvetprofessional.eu
Chauvet Germany	
Address: Bruno-Bürgel-Str. 11 28759 Bremen Germany Voice: +49 421 62 60 20	Email: DEtech@chauvetlighting.de Website: www.chauvetprofessional.eu
Chauvet Mexico	
Address: Av. de las Partidas 34 - 3B (Entrance by Calle 2) Zona Industrial Lerma Lerma, Edo. de México, CP 52000 Voice: +52 (728) 690-2010	Email: servicio@chauvet.com.mx Website: www.chauvetprofessional.mx

Warranty & Returns

For warranty terms and conditions and return information, please visit our website.

For customers in the United States and Mexico: www.chauvetlighting.com/warranty-registration.

For customers in the United Kingdom, Republic of Ireland, Belgium, the Netherlands, Luxembourg, France, and Germany: www.chauvetlighting.eu/warranty-registration.