

# EPIX

LINE 10IP

## User Manual



Model ID: EPIXL10IP

  
**CHAUVET**  
PROFESSIONAL

## Edition Notes

The ÉPIX LINE 10 IP User Manual includes a description, safety precautions, installation, programming, operation, and maintenance instructions for the ÉPIX LINE 10 IP as of the release date of this edition.

## Trademarks

Chauvet, Chauvet Professional, the Chauvet logo, ÉPIX, and ÉPIX LINE are registered trademarks or trademarks of Chauvet & Sons, LLC (d/b/a Chauvet and Chauvet Lighting) in the United States and other countries. Other company and product names and logos referred to herein may be trademarks of their respective companies.

## Copyright Notice

The works of authorship contained in this manual, including, but not limited to, all designs, text, and images are owned by Chauvet.

© **Copyright 2026 Chauvet & Sons, LLC. All rights reserved.**

Electronically published by Chauvet in the United States of America.

## Manual Use

Chauvet authorizes its customers to download and print this manual for professional information purposes only. Chauvet expressly prohibits the usage, copy, storage, distribution, modification, or printing of this manual or its content for any other purpose without written consent from Chauvet.

## Document Printing

For best results, print this document in color, on letter size paper (8.5 x 11 in), double-sided. If using A4 paper (210 x 297 mm), configure the printer to scale the content accordingly.

## Intended Audience

Any person installing, operating, and/or maintaining this product should completely read through the guide that shipped with the product, as well as this manual, before installing, operating, or maintaining this product.

## Disclaimer

Chauvet believes that the information contained in this manual is accurate in all respects. However, Chauvet assumes no responsibility and specifically disclaims any and all liability to any party for any loss, damage, or disruption caused by any errors or omissions in this document, whether such errors or omissions result from negligence, accident, or any other cause. Chauvet reserves the right to revise the content of this document without any obligation to notify any person or company of such revision. However, Chauvet has no obligation to make, and does not commit to make, any such revisions.

## Document Revision

Go to [www.chauvetprofessional.com](http://www.chauvetprofessional.com) for the latest version.

Revision	Date	Description
2	04/2026	Updated photometric specs.

**TABLE OF CONTENTS**

<b>1. Before You Begin</b> .....	1
What Is Included .....	1
Claims .....	1
Text Conventions .....	1
Symbols .....	1
Safety Notes.....	2
FCC Statement of Compliance .....	3
Expected LED Lifespan.....	3
<b>2. Introduction</b> .....	4
Features .....	4
Product Overview.....	4
Product Dimensions .....	5
<b>3. Setup</b> .....	6
DC Power.....	6
Power Linking.....	6
Signal Connections .....	6
Control Personalities .....	6
Mounting .....	7
Orientation.....	7
Rigging .....	7
Procedure.....	7
Accessories .....	8
Filters .....	8
Interlocking Bracket.....	9
ÉPIX Mount +/-120° Angling Adapter .....	10
ÉPIX Mount Spigot Adapter .....	14
ÉPIX Mount Spigot Adapter Mounting Diagrams.....	15
Removing the Mounting Bracket.....	18
<b>4. Operation</b> .....	19
Control Options .....	19
Programming.....	19
Menu Map .....	19
Test Button.....	19
Signal Control.....	19
Control Personalities .....	19
Starting Address.....	19
eDMX Channel Assignments and Values .....	20
Test Pattern.....	20
Effects Engine .....	20
Full Pixel Control .....	21
Groups of 5 Pixels .....	28
Groups of 10 Pixels .....	29
Groups of 25 Pixels .....	30
Groups of 50 Pixels .....	30
<b>5. Maintenance</b> .....	31
Product Maintenance .....	31
<b>6. Technical Specifications</b> .....	32
<b>Contact Us</b> .....	33
Warranty & Returns.....	33

# 1. Before You Begin

## What Is Included

- ÉPIX LINE 10 IP
- Interlocking bracket
- Milky white square filter (installed)
- Black stealth square filter (included)
- Milky white round filter (included)
- Mounting bracket (installed)
- Quick Reference Guide

## Claims

Carefully unpack the product immediately and check the container to make sure all the parts are in the package and are in good condition.




If the box or the contents (the product and included accessories) appear damaged from shipping, or show signs of mishandling, notify the carrier immediately, not Chauvet. Failure to report damage to the carrier immediately may invalidate a claim. In addition, keep the box and contents for inspection.

For other issues, such as missing components or parts, damage not related to shipping, or concealed damage, file a claim with Chauvet within 7 days of delivery.

## Text Conventions

Convention	Meaning
<b>1–512</b>	A range of values
<b>50/60</b>	A set of values of which only one can be chosen
<b>Settings</b>	A menu option not to be modified
<b>&lt;ENTER&gt;</b>	A key to be pressed on the product's control panel

## Symbols

Symbol	Meaning
	Critical installation, configuration, or operation information. Not following these instructions may make the product not work, cause damage to the product, or cause harm to the operator.
	Important installation or configuration information. The product may not function correctly if this information is not used.
	Useful information.

 **Any reference to data or power connections in this manual assumes the use of Seetronic IP-rated cables.**

## Before You Begin

### Safety Notes

Read all the following safety notes before working with this product. These notes contain important information about the installation, usage, and maintenance of this product.



**This product contains no user-serviceable parts. Any reference to servicing in this User Manual will only apply to properly trained, certified technicians. Do not open the housing or attempt any repairs.**



**All applicable local codes and regulations apply to proper installation of this product.**

- The luminaire is intended for professional use only.
- The luminaire should be positioned so that prolonged staring into the luminaire at a distance closer than 7.5 ft (2.3 m) is not expected.
- If the external flexible cable or cord of this luminaire is damaged, it shall be replaced by a special cord or cord exclusively available from the manufacturer or its service agent.
- The light source contained in this luminaire shall only be replaced by the manufacturer or its service agent or a similar qualified person.
- **CAUTION:**
  - This product's housing may be hot when operating. Mount this product in a location with adequate ventilation, at least 20 in (50 cm) from adjacent surfaces.
  - When transferring the product from extreme temperature environments, (e.g., cold truck to warm humid ballroom) condensation may form on the internal electronics of the product. To avoid causing a failure, allow the product to fully acclimate to the surrounding environment before connecting it to power.
  - Flashing light is known to trigger epileptic seizures. User must comply with local laws regarding notification of strobe use.
- **ALWAYS:**
  - Disconnect from power before cleaning the product.
  - When using an IP65-rated product in an outdoor environment, use IP65- (or higher) rated power and data cable.
  - Replace and secure IP-rated protective covers to all power, data, USB, or other ports when not in use.
  - Use a safety cable when mounting this product overhead.
  - Connect the ÉPIX D4 IP to a grounded and protected circuit.
- **DO NOT:**
  - Open this product. It contains no user-serviceable parts.
  - Look at the light source when the product is on.
  - Leave any flammable material within 50 cm of this product while operating or connected to power.
  - Connect this product to a dimmer or rheostat.
  - Operate this product if the housing or cables appear damaged.
  - Submerge this product (adhere to standards for the published IP rating). Regular outdoor operation is fine.
  - Permanently install outdoors in locations with extreme environmental conditions. This includes, but is not limited to:
    - Exposure to a marine/saline environment (within 3 miles of a saltwater body of water).
    - Locations where normal temperatures exceed the temperature ranges in this manual.
    - Locations that are prone to flooding or being buried in snow.
    - Other areas where the product will be subject to extreme radiation or caustic substances.
  - ONLY use the hanging/mounting bracket to carry this product.
  - The maximum ambient temperature is 113 °F (45 °C). Do not operate this product at higher temperatures.
  - The minimum ambient temperature is -4°F (-20°C). Do not operate the product at lower temperatures.
  - To eliminate unnecessary wear and improve its lifespan, during periods of non-use completely disconnect the ÉPIX D4 IP from power via breaker or by unplugging it.
  - In the event of a serious operating problem, stop using immediately.



**If this Chauvet product requires service, contact Chauvet Technical Support.**

## **FCC Statement of Compliance**

This device complies with Part 15 Part B of the FCC rules. Operation is subject to the following two conditions:

1. This device may not cause harmful interference, and
2. This device must accept any interference received, including interference that may cause undesired operation.

This equipment has been tested and found to comply with the limits for a Class B digital device, pursuant to Part 15 of the FCC Rules. These limits are designed to provide reasonable protection against harmful interference in a residential installation. This equipment generates uses and can radiate radio frequency energy and, if not installed and used in accordance with the instructions, may cause harmful interference to radio communications. However, there is no guarantee that interference will not occur in a particular installation. If this equipment does cause harmful interference to radio or television reception, which can be determined by turning the equipment off and on, the user is encouraged to try to correct the interference by one or more of the following measures:

- Reorient or relocate the receiving antenna.
- Increase the separation between the equipment and receiver.
- Connect the equipment into an outlet on a circuit different from that to which the receiver is connected.
- Consult the dealer or an experienced radio/TV technician for help.

Any changes or modifications not expressly approved by the party responsible for compliance could void the user's authority to operate the equipment.

## **Expected LED Lifespan**

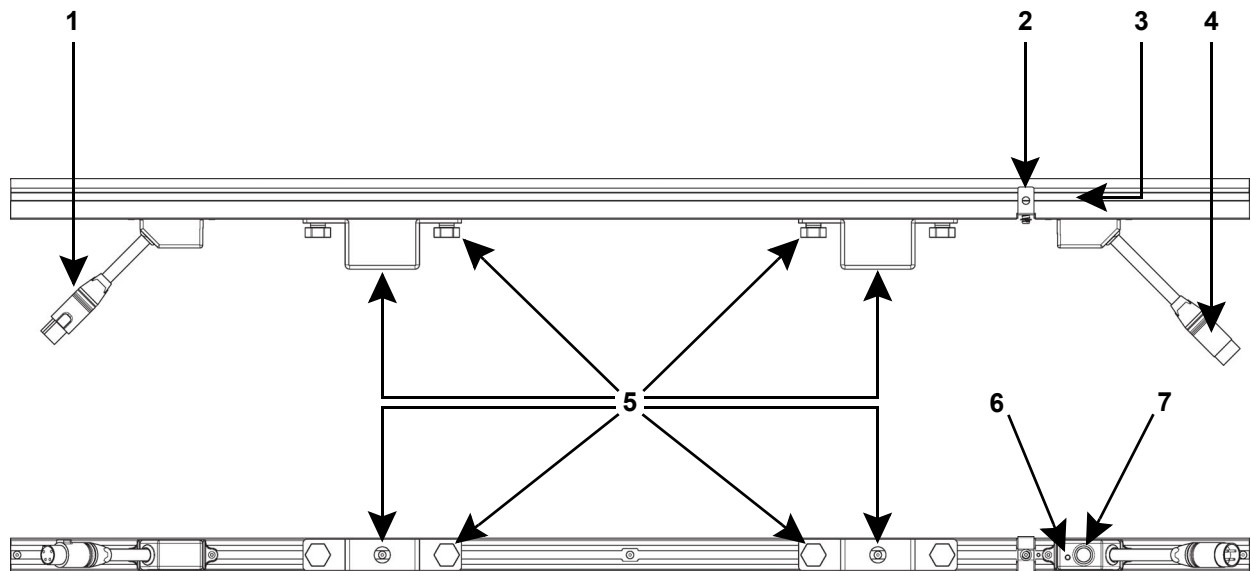
Over time, use and heat will gradually reduce LED brightness. Clustered LEDs produce more heat than single LEDs, contributing to shorter lifespans if always used at full intensity. The average LED lifespan is 40,000 to 50,000 hours. To extend LED lifespan, maintain proper ventilation around the product, and limit the overall intensity.

## 2. Introduction

### Features

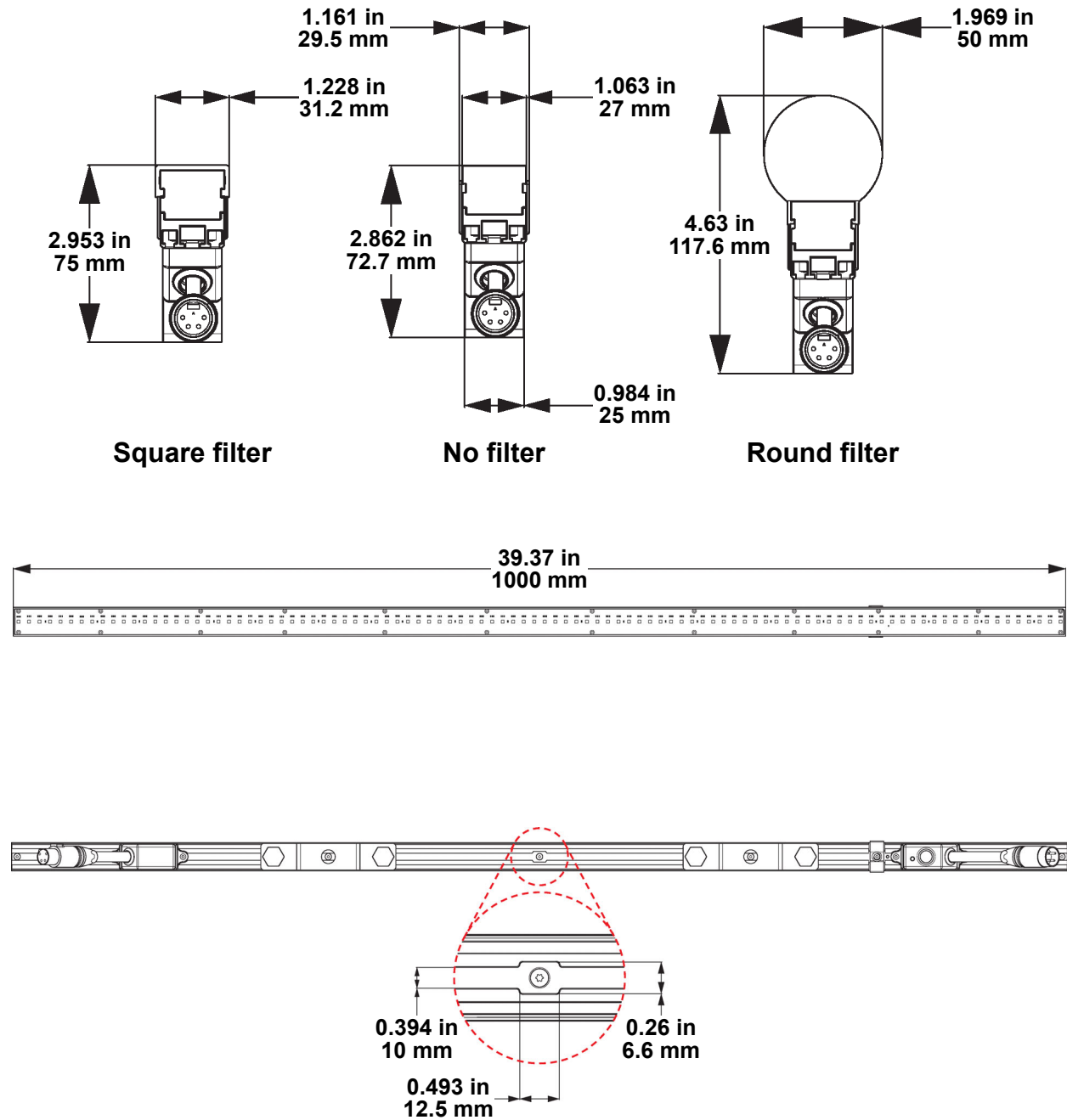
- Linear LED strip with 10 mm pixel pitch delivers vivid, wide-gamut RGB color for dynamic architectural and entertainment applications
- Standard 4-pin XLR connectors and three included optical filters support multiple use cases, including wide viewing angles
- Slim form factor simplifies integration into tight spaces, while full repairability ensures long-term reliability and lower service costs
- Native compatibility with the ÉPIX Mapping System and MVR (My Virtual Rig) support makes configuration fast and intuitive

### Product Overview



#	Name
1	Power/data out
2	Filter latch
3	Filter slot
4	Power/data in
5	Bracket knobs
6	LED indicator
7	Test button

**Product Dimensions**



### 3. Setup

#### DC Power

The ÉPIX LINE 10 IP has a 4-pin IP65 XLR power input that can work with an input voltage of 48 VDC, 21 W (STANDARD) or 32 W (HI OUTPUT) from the ÉPIX D4 IP.



- Use **ONLY IP65 4-pin XLR cables with the ÉPIX LINE 10 IP.** For the Chauvet Professional line of IP65 4-pin XLR cables, go to <https://www.chauvetprofessional.com/accessories>.
- Always connect the ÉPIX D4 IP to a protected circuit (a circuit breaker or fuse). Ensure the product has an appropriate electrical ground to avoid the risk of electrocution or fire.
- To eliminate unnecessary wear and improve its lifespan, during periods of non-use completely disconnect the ÉPIX D4 IP from power via breaker or by unplugging it.



Never connect the ÉPIX D4 IP to a rheostat (variable resistor) or dimmer circuit, even if the rheostat or dimmer channel serves only as a 0 to 100% switch.

#### Power Linking

It is possible to link up to 10 ÉPIX LINE 10 IP products from each port of the ÉPIX D4 IP in STANDARD mode.

It is possible to link up to 6 ÉPIX LINE 10 IP products from each port of the ÉPIX D4 IP in HI OUTPUT mode.

#### Signal Connections

The ÉPIX LINE 10 IP receives a control signal from the ÉPIX D4 IP. The product has 4-pin IP65 XLR in and out ports.

#### Control Personalities

The ÉPIX LINE 10 IP uses a 4-pin IP65 XLR data connection for its 7 control personalities: **Test Patterns**, **Effects Engine**, **Full Pixel Control**, **Groups of 5 Pixels**, **Groups of 10 Pixels**, **Groups of 25 Pixels**, and **Groups of 50 Pixels**.

- Refer to the [Operation](#) chapter to learn how to configure the ÉPIX LINE 10 IP to work in these personalities.
- The [eDMX Channel Assignments and Values](#) section provides detailed information regarding the control personalities.



If the user is not familiar with or need more information about DMX standards or the DMX cables needed to link this product to a DMX controller, download the DMX Primer from the Chauvet website: [www.chauvetprofessional.com](http://www.chauvetprofessional.com).

## Mounting

Before mounting the product, read and follow the safety recommendations indicated in the [Safety Notes](#).

### Orientation

Always mount this product in a safe position, making sure there is adequate room for ventilation, configuration, and maintenance.

### Rigging

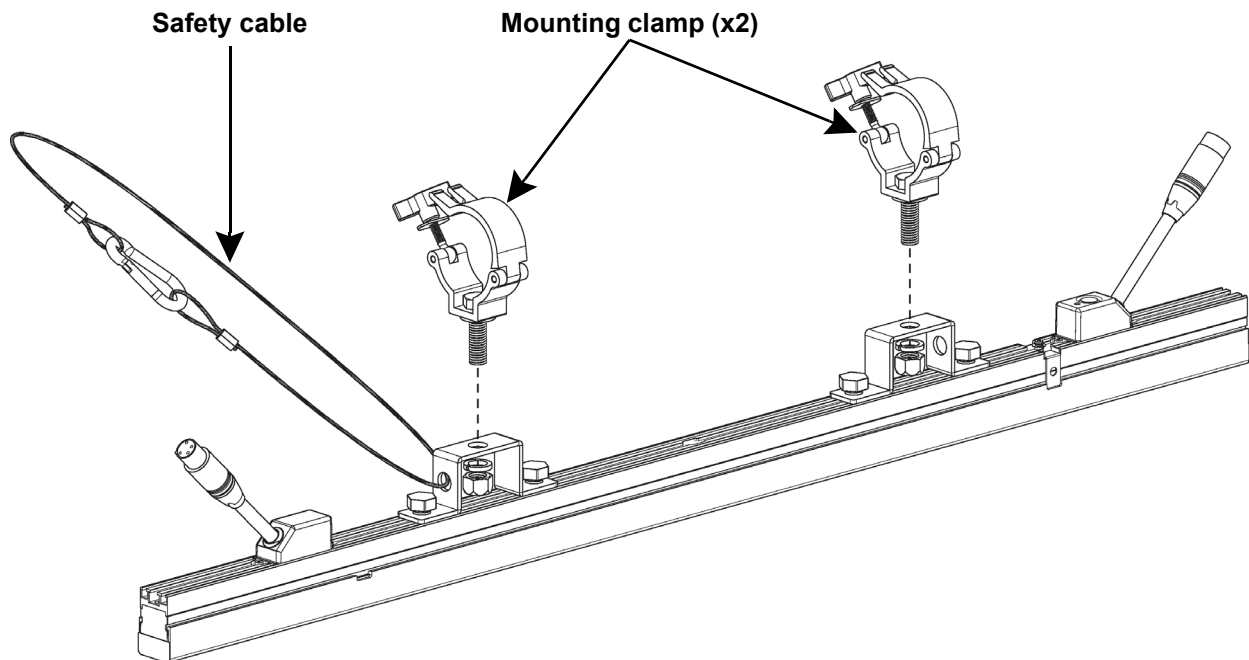
Chauvet recommends using the following general guidelines when mounting this product.

- Before deciding on a location for the product, make sure there is easy access to the product for maintenance and programming purposes.
- Make sure that the structure and attachment points can support the weight before hanging the product (see the [Technical Specifications](#) for weight information).
- When mounting the product overhead, always use a safety cable. Mount the product securely to a rigging point, whether an elevated platform or a truss.
- When rigging the product onto a truss, use a mounting clamp of appropriate weight capacity.
- When power linking multiple products, mount the products close enough for power-linking cables to reach.
- The bracket adjustment knobs allow for horizontal adjustment when moving the product to the desired position. Only loosen or tighten the bracket knobs manually. Using tools could damage the knobs.

### Procedure

The ÉPIX LINE 10 IP comes with an adjustable bracket. The user can directly attach a mounting clamp (sold separately) to this bracket. Make sure the clamp is capable of supporting the weight of this product. For the Chauvet Professional line of mounting clamps, go to <http://www.trusst.com/products>.

### Mounting Diagram



## Setup

### Accessories

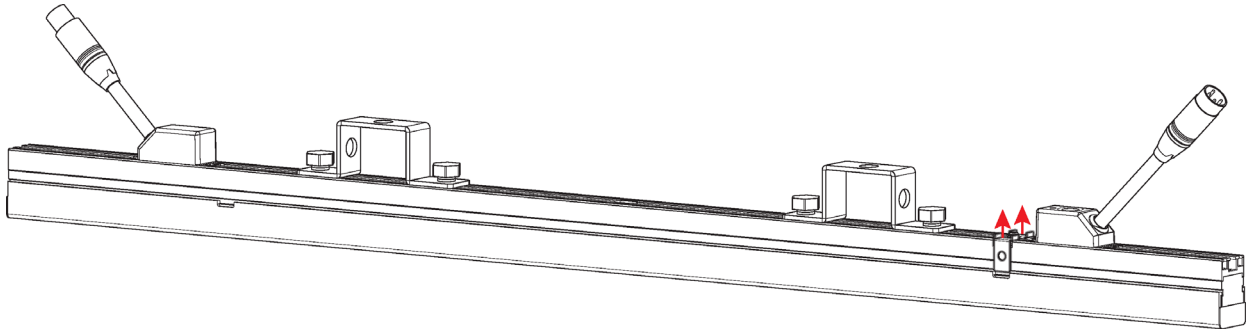
The ÉPIX LINE 10 IP comes with 3 interchangeable filters and an Interlocking Bracket.

The ÉPIX Mount Spigot Adapter and ÉPIX Mount +/-120° Angling Adapter are available separately.

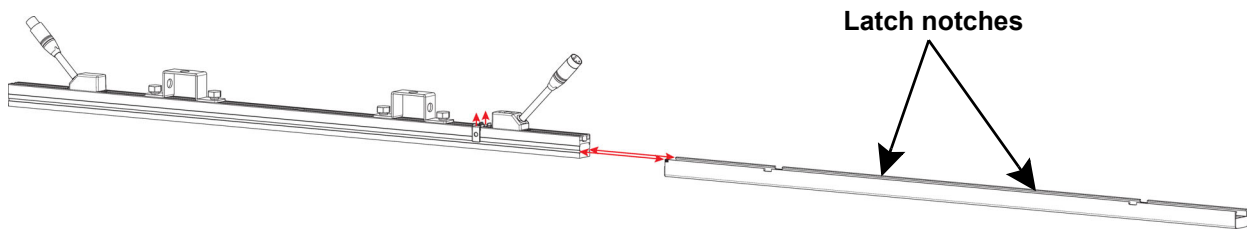
### Filters

The 3 included filters are the Milky White Square Filter (comes installed), Milky White Round Filter, and the Black Stealth Square Filter. To uninstall the current filter and replace it with one of the others:

1. Pull the filter latch up until the filter can slide in either direction.



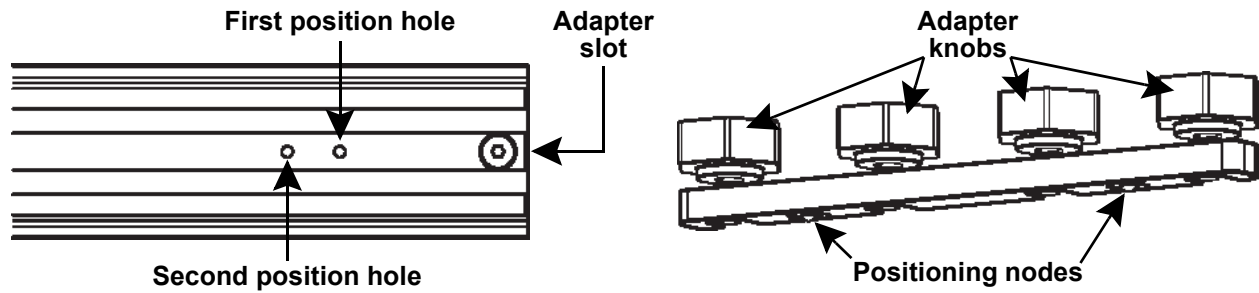
2. Slide the current filter completely off of the ÉPIX LINE 10 IP.
3. Slide the desired filter completely onto the ÉPIX LINE 10 IP.



4. Release the filter latch and adjust the filter until the latch is secured in one of the latch notches.

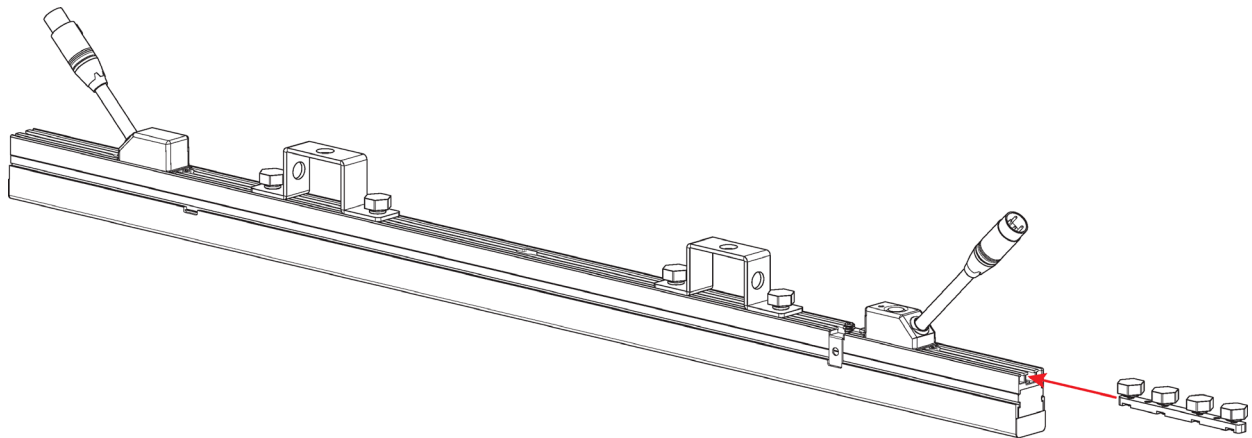
### Interlocking Bracket

The included Interlocking Bracket is designed to align ÉPIX LINE 10 IP products in a straight line.

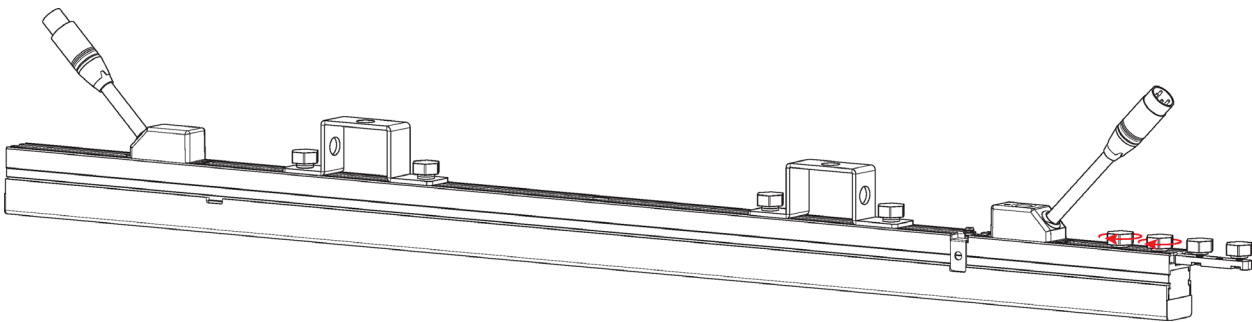


To install the Interlocking Bracket:

1. Slide the Interlocking Bracket into the adapter slot of the first ÉPIX LINE 10 IP product until the first positioning node lines up with the first position hole.

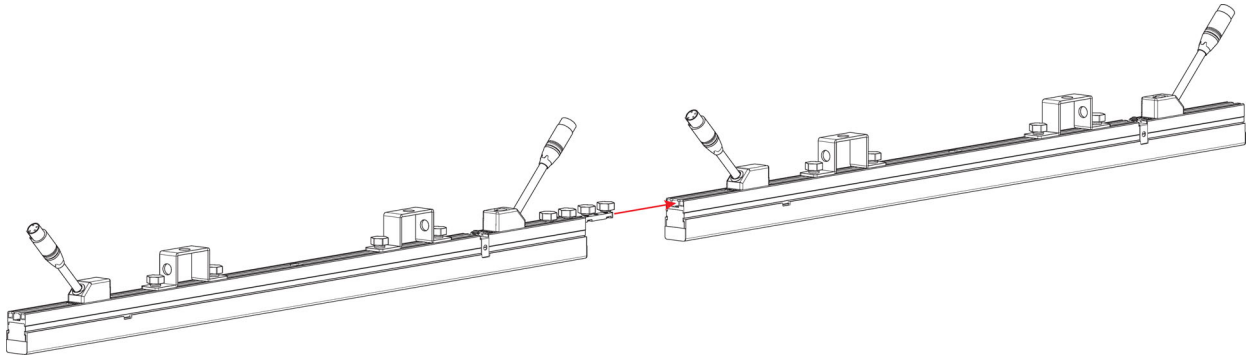


2. Secure the Interlocking Bracket with two of the adapter knobs.

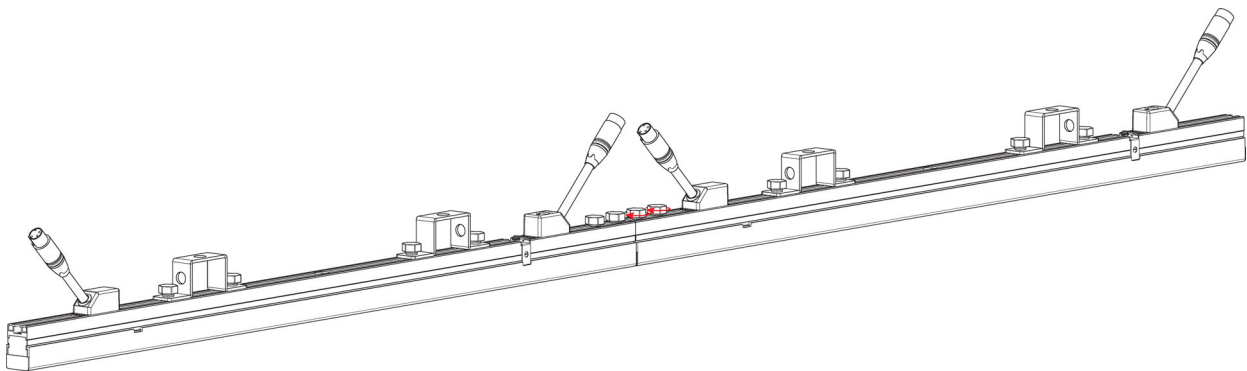


## Setup

- Slide the other end of the Interlocking Bracket into the adapter slot of the second ÉPIX LINE 10 IP product until the first positioning node lines up with the first position hole.

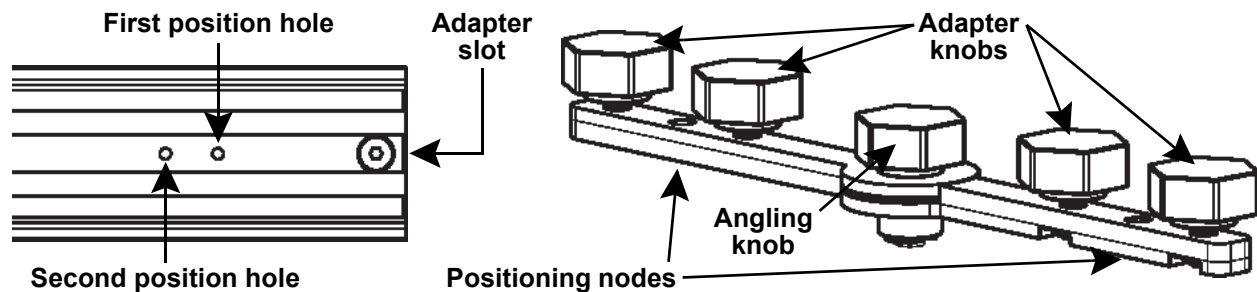


- Secure the Interlocking Bracket with the two remaining adapter knobs.



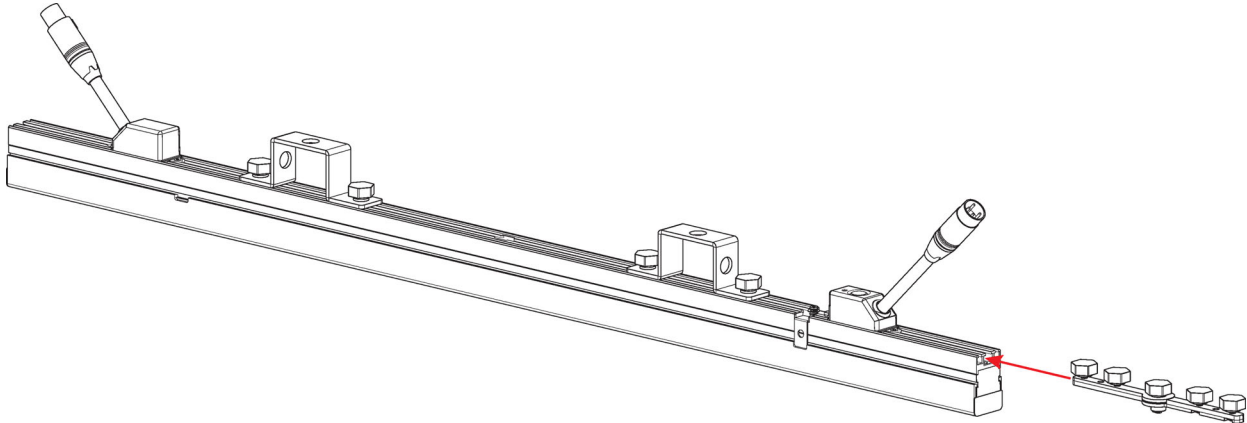
### ÉPIX Mount +/-120° Angling Adapter

The ÉPIX Mount +/-120° Angling Adapter is available separately. It interlocks two ÉPIX LINE 10 IP products and allows for an angle between them anywhere from -120° to +120° (in the first position), or from -90° to +90° (in the second position).

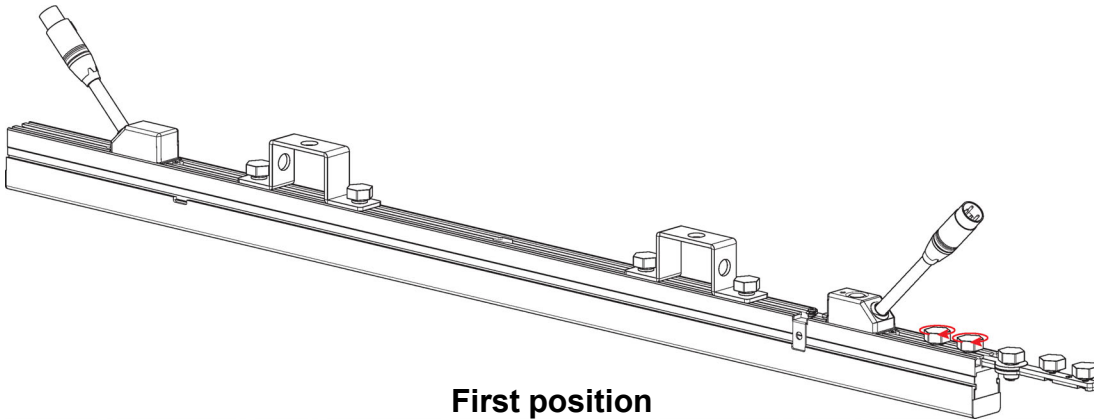


To install the ÉPIX Mount +/-120° Angling Adapter:

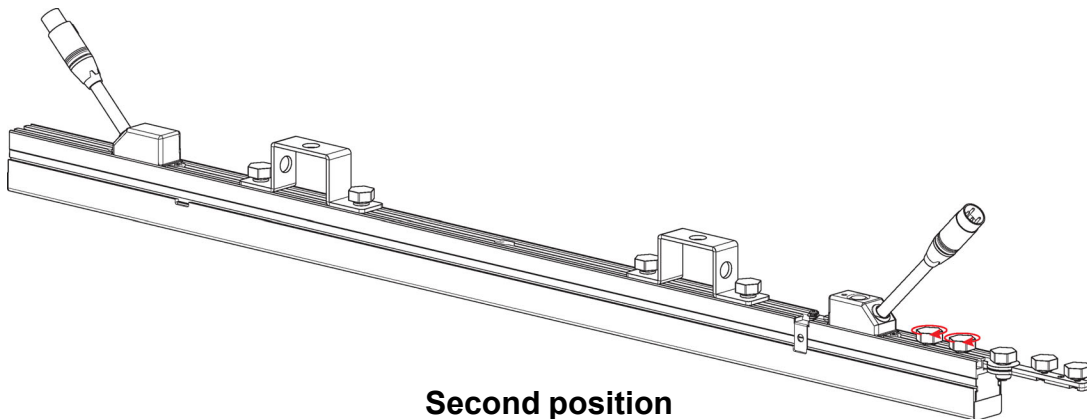
1. Slide the ÉPIX Mount +/-120° Angling Adapter into the adapter slot of the first ÉPIX LINE 10 IP product until the first positioning node lines up with the first (120°) or second (90°) position hole.



2. Secure the ÉPIX Mount +/-120° Angling Adapter with two of the adapter knobs.



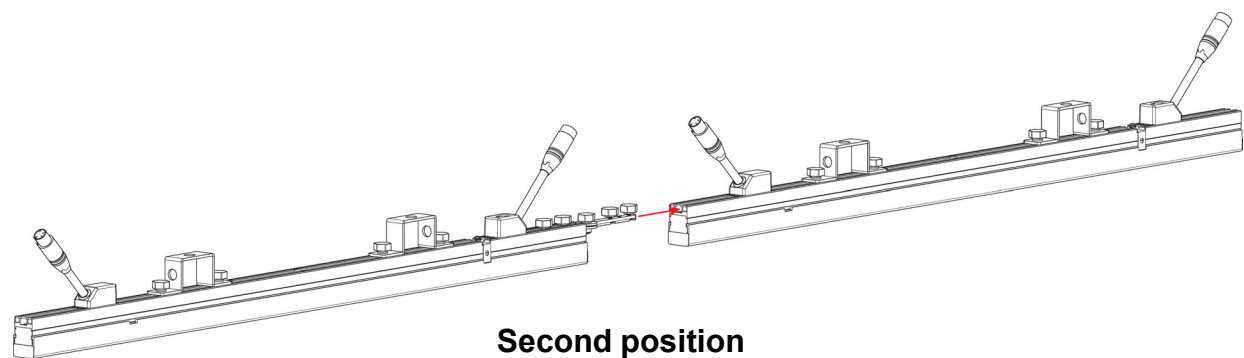
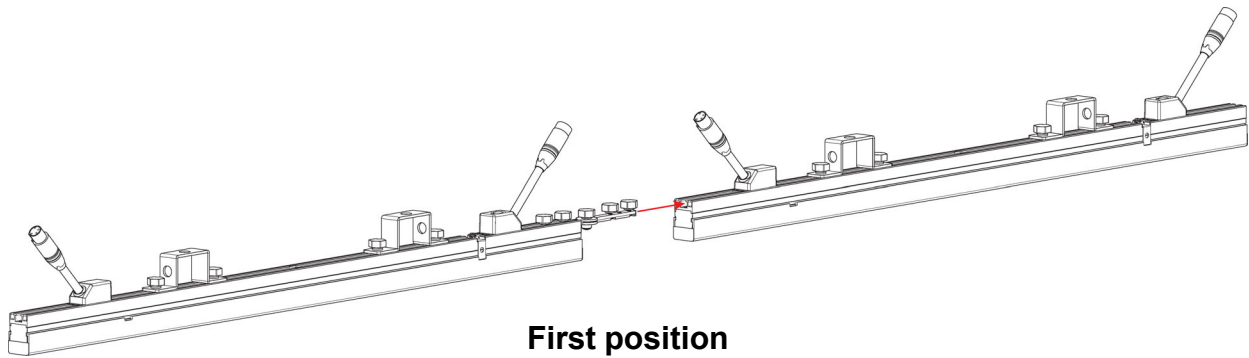
**First position**



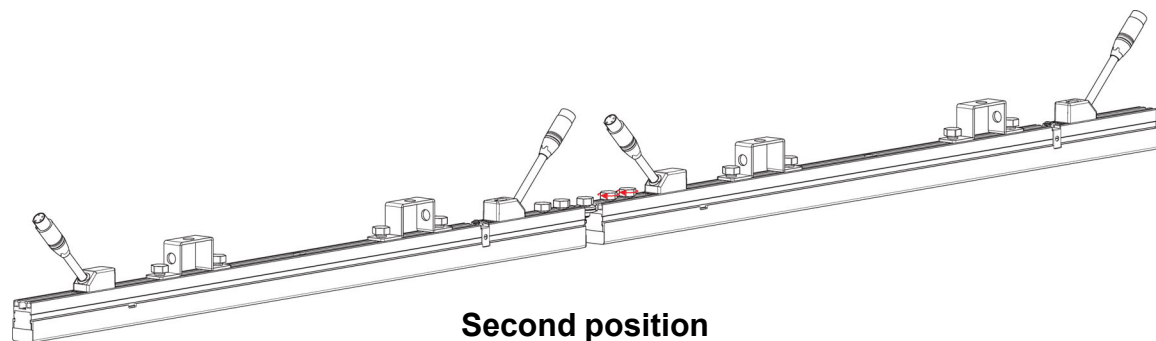
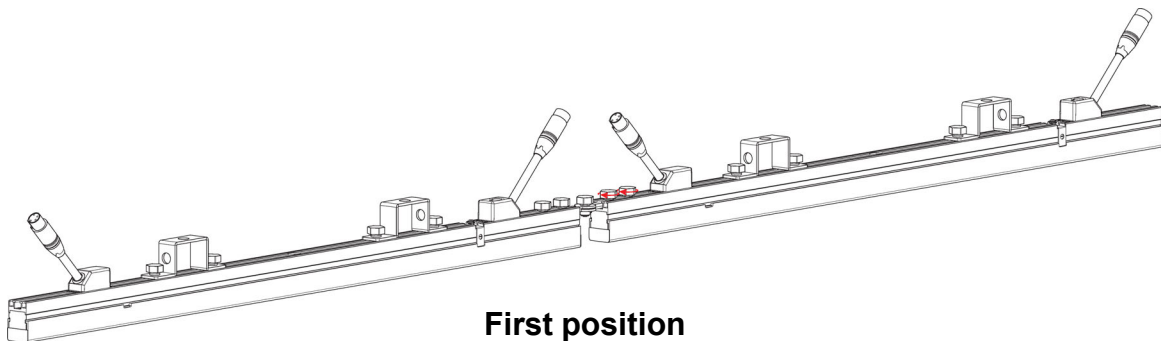
**Second position**

## Setup

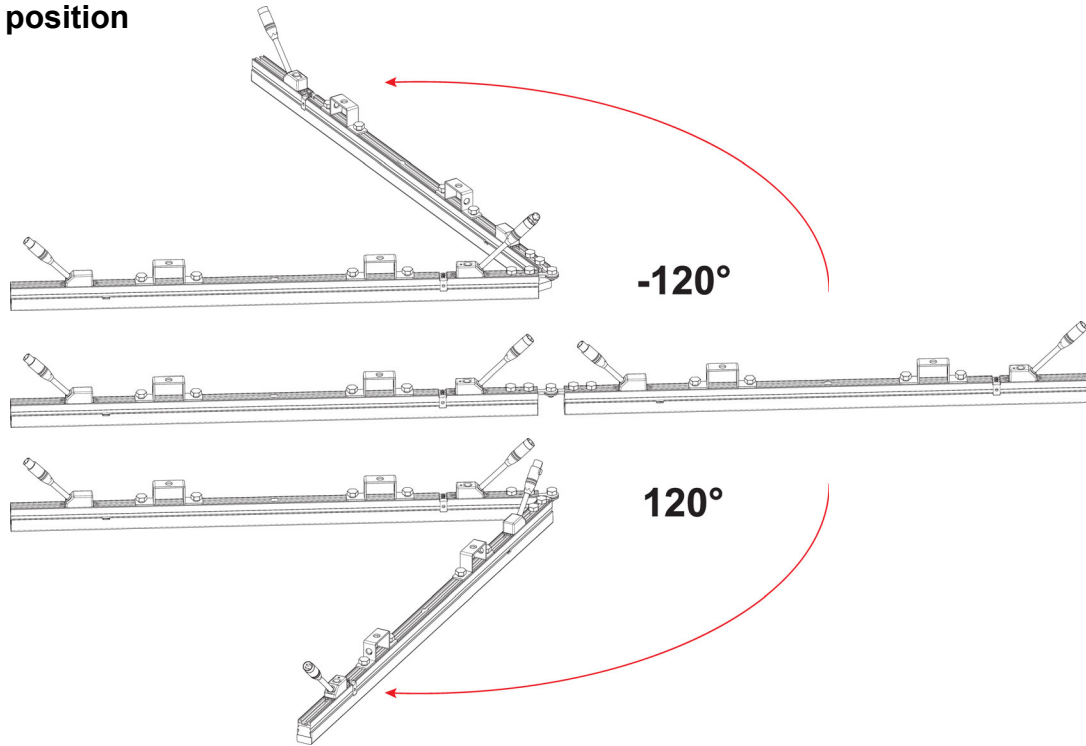
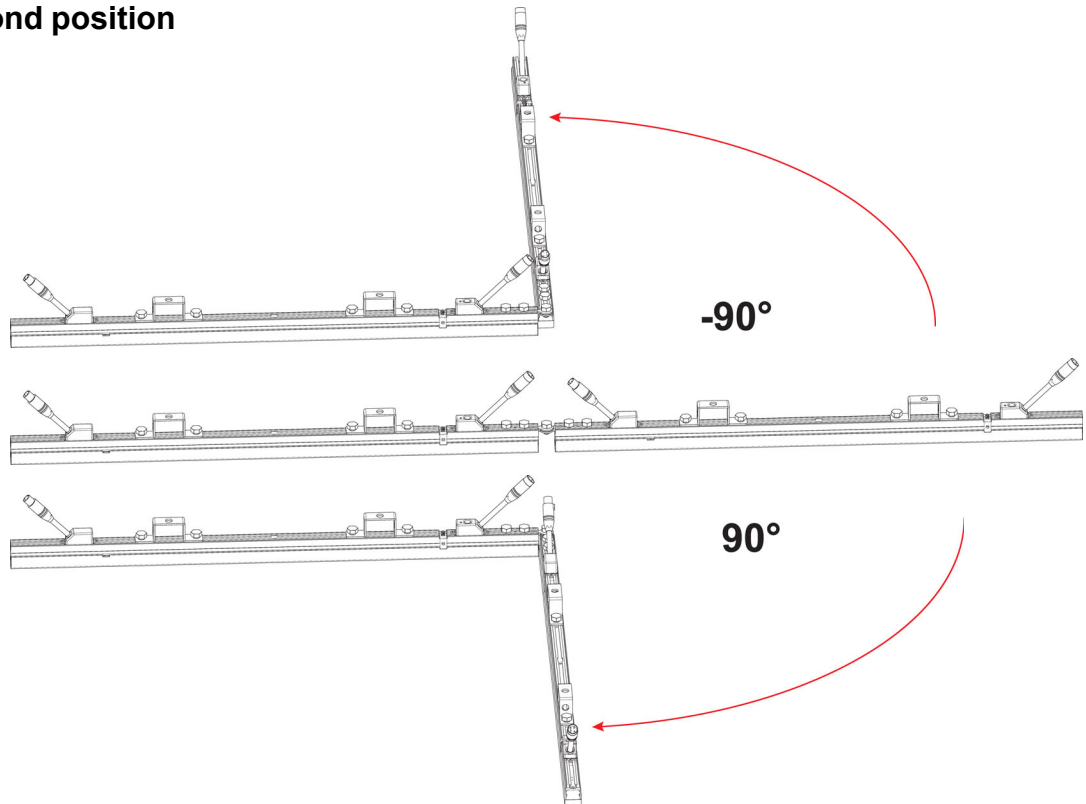
- Slide the other end of the ÉPIX Mount +/-120° Angling Adapter into the adapter slot of the second ÉPIX LINE 10 IP product until the first positioning node lines up with the first (120°) or second (90°) position hole.



- Secure the ÉPIX Mount +/-120° Angling Adapter with the two remaining adapter knobs.



5. Set the interlocked products at the desired angle, from  $-120^\circ$  to  $+120^\circ$  (in the first position), or from  $-90^\circ$  to  $+90^\circ$  (in the second position).

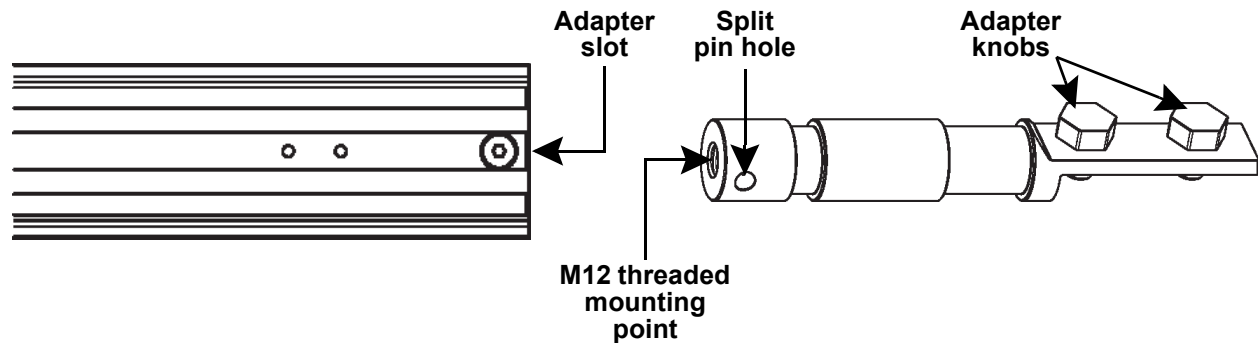
**First position****Second position**

6. Tighten the angling knob to secure the adapter at the desired angle.

## Setup

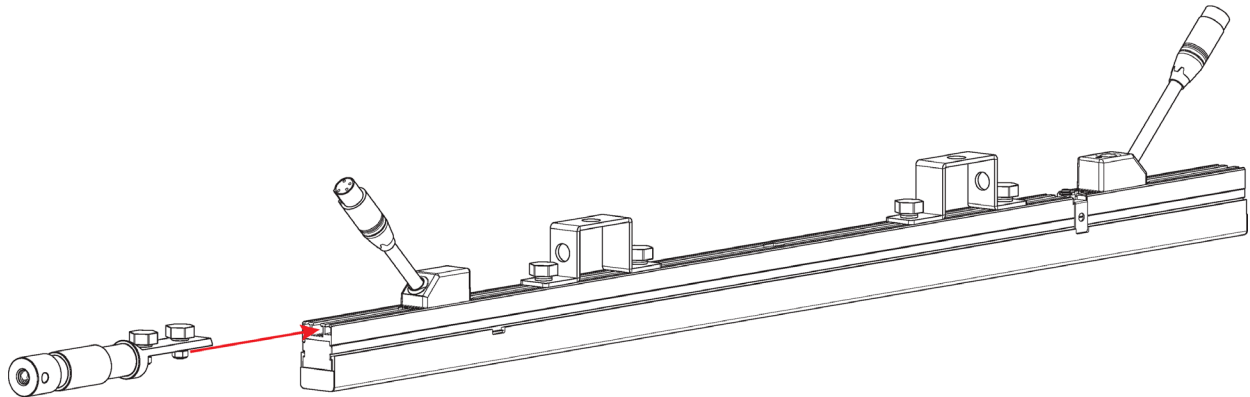
### ÉPIX Mount Spigot Adapter

The ÉPIX Mount Spigot Adapter is available separately. It enables mounting the ÉPIX LINE 10 IP in a dead-hang configuration or with any equipment that is compatible with Jr. pin connectors.

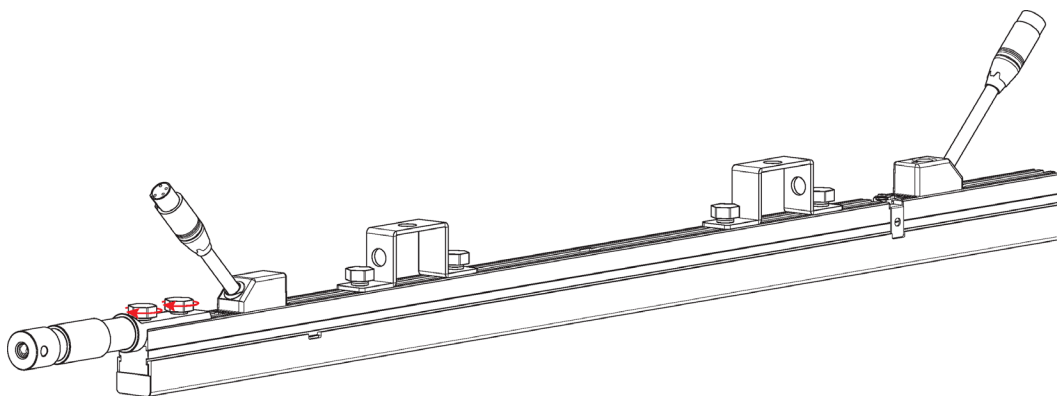


To install the ÉPIX Mount Spigot Adapter:

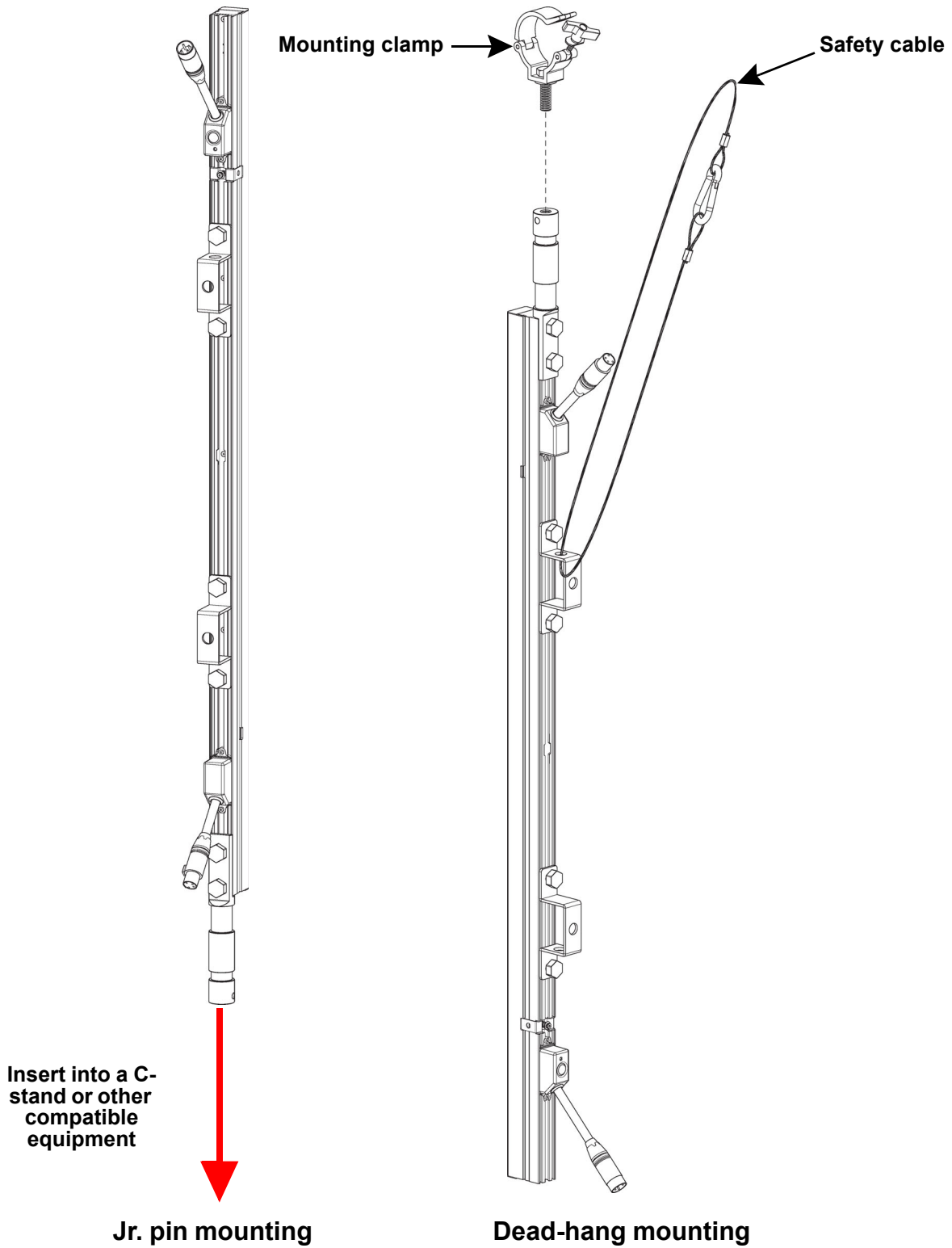
1. Slide the ÉPIX Mount Spigot Adapter into the adapter slot of the ÉPIX LINE 10 IP as far as it can go.



2. Secure the ÉPIX Mount Spigot Adapter with the adapter knobs.



**ÉPIX Mount Spigot Adapter Mounting Diagrams**  
Single Product

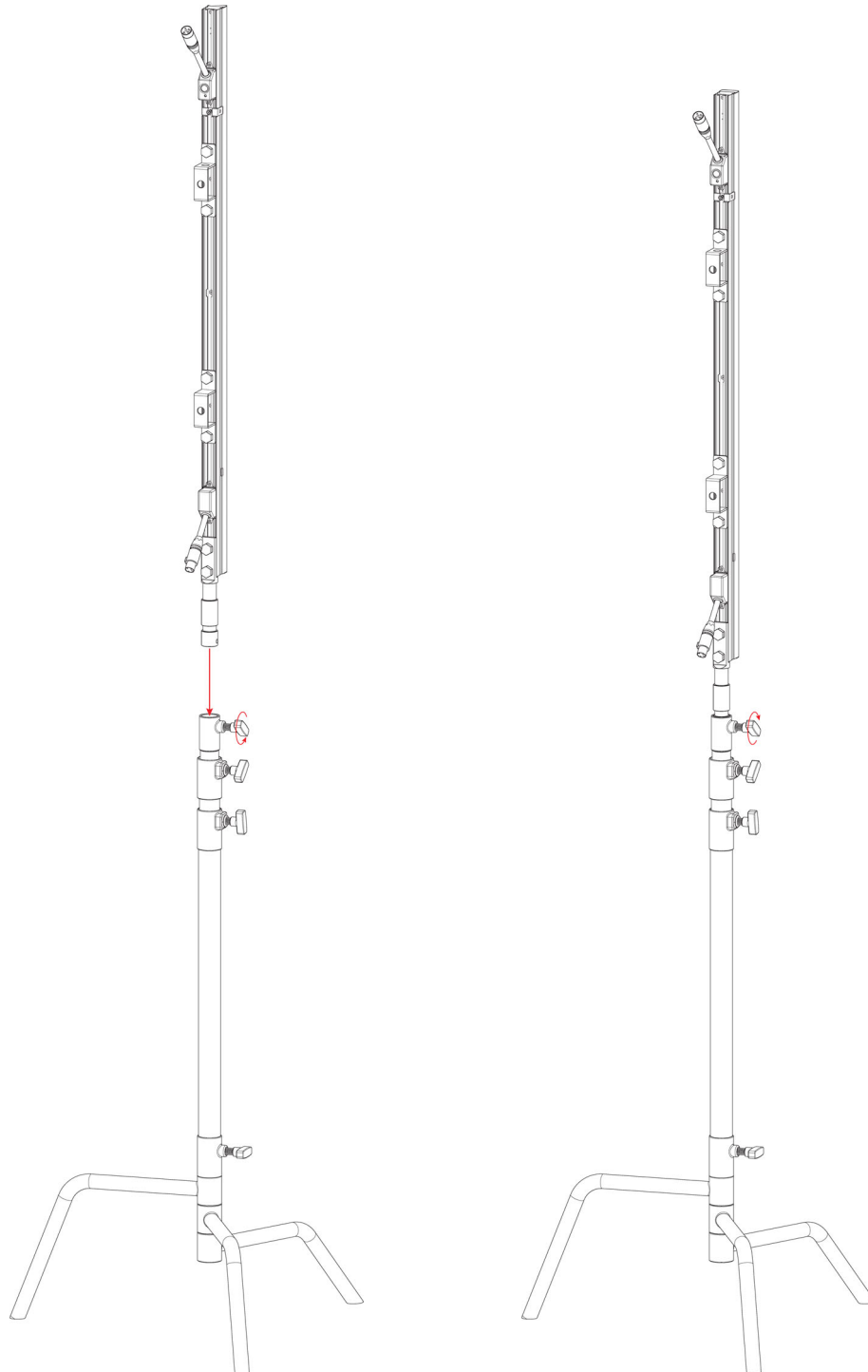


## Setup

### C-Stand

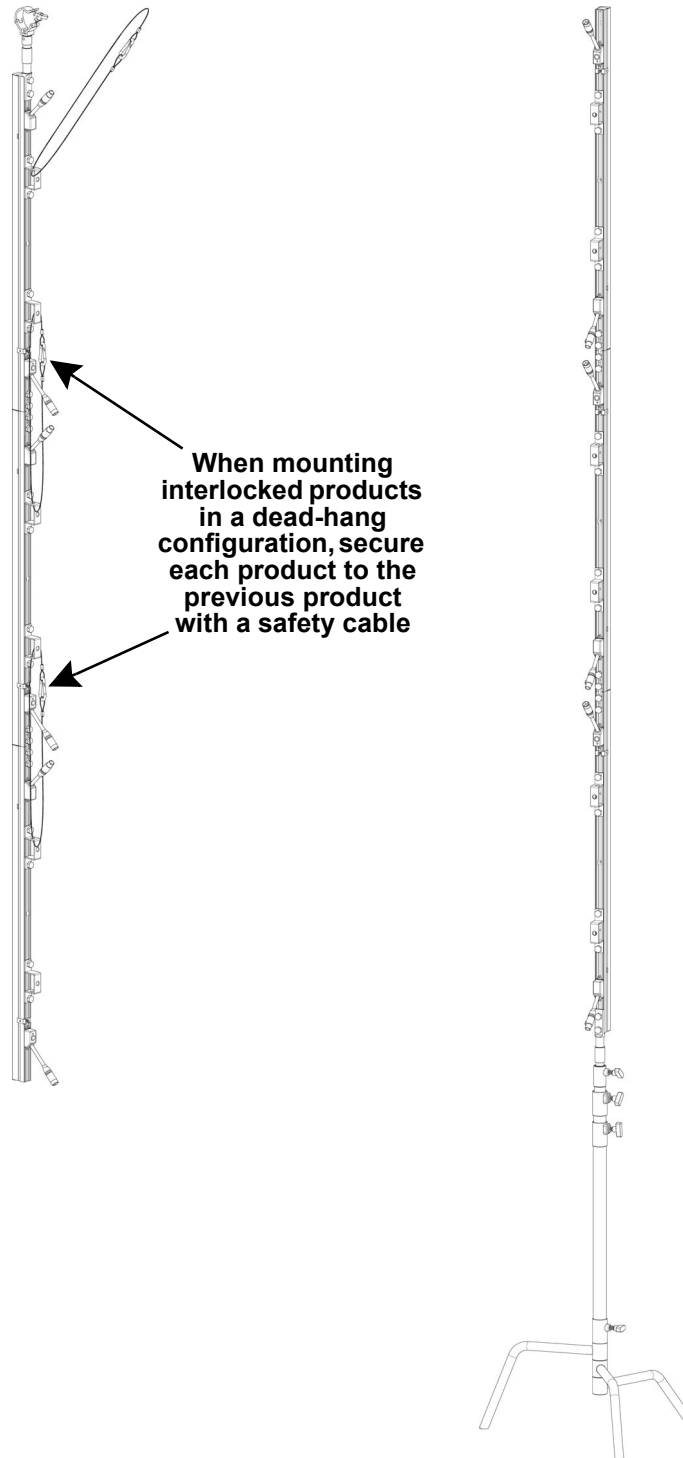
To mount the product in a C-stand using the ÉPIX Mount Spigot Adapter:

1. Insert the spigot into the receptacle of the C-Stand.
2. Secure it by tightening the knob of the C-stand.



**Interlocked Products**

It is possible to mount up to 3 meters of ÉPIX LINE products (up to 3 ÉPIX LINE 10 IP products) **vertically** from a single ÉPIX Mount Spigot Adapter in a dead-hang configuration or using a C-stand.

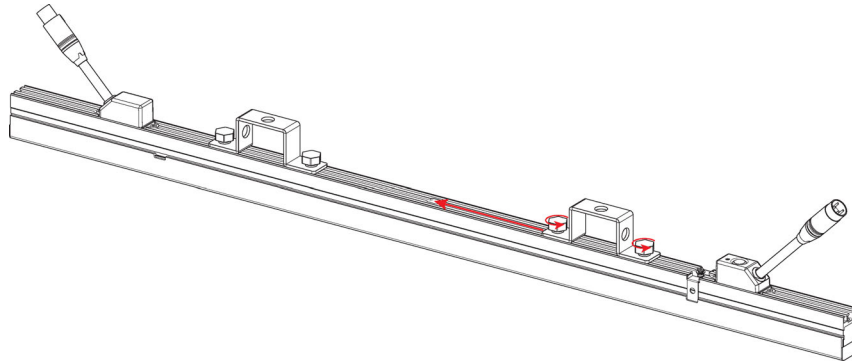


**Do NOT** mount interlocked products horizontally from a single point. To prevent damage to the products, secure each individual product to the mounting hardware when mounting interlocked products horizontally.

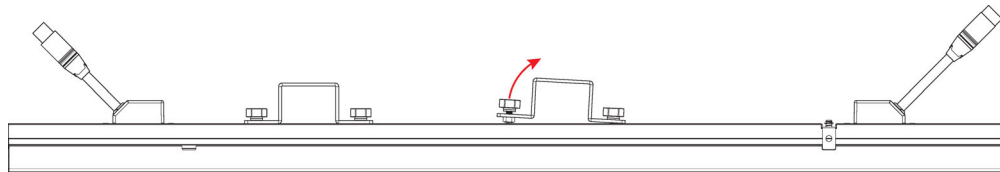
### Removing the Mounting Bracket

To remove the mounting bracket from the product:

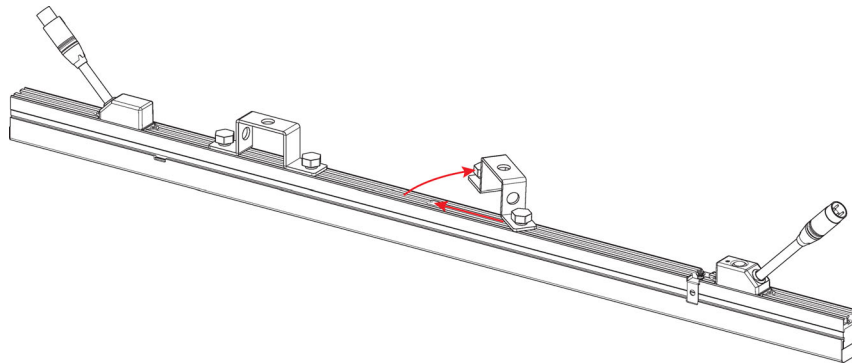
1. Loosen the bracket knobs and slide the bracket until the first knob is positioned over the opening.



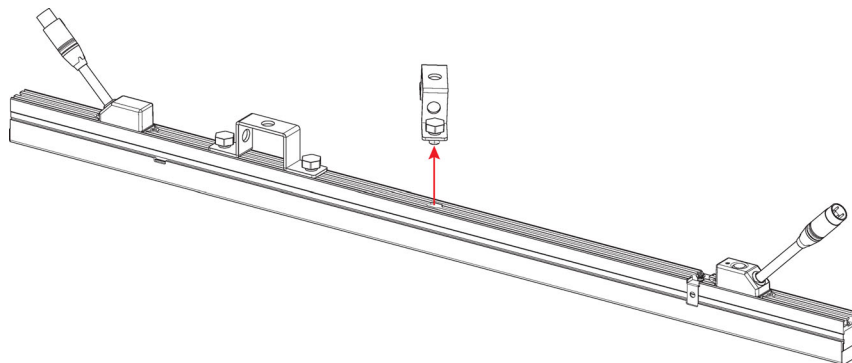
2. Lift the first knob out of the opening.



3. Rotate the bracket to allow it to continue sliding.



4. Lift the second knob out of the opening.



5. Reverse these instructions to re-install the bracket or install a different bracket.

## 4. Operation

### Control Options

Set the ÉPIX LINE 10 IP starting address in the **001-511** DMX range. This enables control of up to 256 products per universe in the 2-channel **Test Patterns** personality.

### Programming

Refer to the ÉPIX D4 IP for all programming of this product.

### Menu Map

Refer to the ÉPIX D4 IP product page on [www.chauvetprofessional.com](http://www.chauvetprofessional.com) for the latest menu map.

### Test Button

Use the test button to activate test patterns independently from the ÉPIX D4 IP or an controller.

- Press and hold the test button for 3 seconds to activate test mode.
- Press the test button to cycle through the test patterns:
  - **Dynamic**
  - **Rainbow**
  - **Red**
  - **Green**
  - **Blue**
  - **White**
  - **Full White.**
- Press and hold the test button for 3 seconds again to deactivate test mode.

### Signal Control

Use control configurations to operate the product with the ÉPIX D4 IP.

### Control Personalities

The ÉPIX LINE 10 IP has 7 control personalities, set by the ÉPIX D4 IP: **Test Patterns**, **Effects Engine**, **Full Pixel Control**, **Groups of 5 Pixels**, **Groups of 10 Pixels**, **Groups of 25 Pixels**, and **Groups of 50 Pixels**



- See the [Starting Address](#) section for the highest recommended address for each personality.
- Make sure that the starting addresses on the various products do not overlap due to the new personality setting.

### Starting Address

Each product and control mode will respond to a unique starting address from the controller and ÉPIX D4 IP. All products with the same starting address will respond in unison.

Personality	Channels	Products per Universe*	Highest Address*
<b>Test Patterns</b>	<b>2</b>	<b>256</b>	<b>511</b>
<b>Effects Engine</b>	<b>18</b>	<b>28</b>	<b>495</b>
<b>Full Pixel Control</b>	<b>150</b>	<b>3</b>	<b>363</b>
<b>Groups of 5 Pixels</b>	<b>30</b>	<b>17</b>	<b>483</b>
<b>Groups of 10 Pixels</b>	<b>15</b>	<b>34</b>	<b>498</b>
<b>Groups of 25 Pixels</b>	<b>6</b>	<b>85</b>	<b>507</b>
<b>Groups of 50 Pixels</b>	<b>3</b>	<b>170</b>	<b>510</b>



\*Products per Universe and Highest Address values assume the **Dense Mapping** function is disabled. See the User Manual for the ÉPIX D4 IP for more information.

## Operation

### eDMX Channel Assignments and Values

#### Test Pattern

Channel	Function	Value	Percent/Setting
1	Dimmer	000 ⇄ 255	0–100%
2	Test pattern	000 ⇄ 009	Dynamic
		010 ⇄ 019	Rainbow
		020 ⇄ 029	Red
		030 ⇄ 039	Green
		040 ⇄ 049	Blue
		050 ⇄ 255	White

#### Effects Engine

Channel	Function	Value	Percent/Setting
1	Dimmer	000 ⇄ 255	0–100%
2	Effect randomizer	000 ⇄ 009	Off
		010 ⇄ 019	5 second intervals
		020 ⇄ 029	10 second intervals
		030 ⇄ 039	30 second intervals
		040 ⇄ 049	1 minute intervals
		050 ⇄ 059	2 minute intervals
		060 ⇄ 069	5 minute intervals
		070 ⇄ 079	10 minute intervals
		080 ⇄ 089	30 minute intervals
		090 ⇄ 255	1 hour intervals
3	Effect	000 ⇄ 009	Global color
		010 ⇄ 019	Fixed colors
		020 ⇄ 029	Blend
		030 ⇄ 039	Burst
		040 ⇄ 049	Chaser
		050 ⇄ 059	Color flash
		060 ⇄ 069	Cycle
		070 ⇄ 079	Double shift
		080 ⇄ 089	Expander
		090 ⇄ 099	Flex rainbow
		100 ⇄ 109	Glow
		110 ⇄ 119	Moving blend
		120 ⇄ 129	Multi chaser
		130 ⇄ 139	Paint
140 ⇄ 149	Sparkle		
150 ⇄ 159	Strobo		
160 ⇄ 169	Toggler		
170 ⇄ 179	Vegas		
180 ⇄ 189	Waves		
190 ⇄ 255	Xmas lights		
4	Effect speed	000 ⇄ 255	Effect speed, slow to fast

Channel	Function	Value	Percent/Setting
5	Effect direction	000 ⇄ 127	Forward
		128 ⇄ 255	Reverse
6	Effect color amount	000 ⇄ 063	1 color
		064 ⇄ 127	2 colors
		128 ⇄ 191	3 colors
		192 ⇄ 255	Random number cycle
7	Color 1 red	000 ⇄ 255	0–100%
8	Color 1 green	000 ⇄ 255	0–100%
9	Color 1 blue	000 ⇄ 255	0–100%
10	Color 1 white	000 ⇄ 255	0–100%
11	Color 2 red	000 ⇄ 255	0–100%
12	Color 2 green	000 ⇄ 255	0–100%
13	Color 2 blue	000 ⇄ 255	0–100%
14	Color 2 white	000 ⇄ 255	0–100%
15	Color 3 red	000 ⇄ 255	0–100%
16	Color 3 green	000 ⇄ 255	0–100%
17	Color 3 blue	000 ⇄ 255	0–100%
18	Color 3 white	000 ⇄ 255	0–100%

### Full Pixel Control

Channel	Function	Value	Percent/Setting
1	Red 1	000 ⇄ 255	0–100%
2	Green 1	000 ⇄ 255	0–100%
3	Blue 1	000 ⇄ 255	0–100%
4	Red 2	000 ⇄ 255	0–100%
5	Green 2	000 ⇄ 255	0–100%
6	Blue 2	000 ⇄ 255	0–100%
7	Red 3	000 ⇄ 255	0–100%
8	Green 3	000 ⇄ 255	0–100%
9	Blue 3	000 ⇄ 255	0–100%
10	Red 4	000 ⇄ 255	0–100%
11	Green 4	000 ⇄ 255	0–100%
12	Blue 4	000 ⇄ 255	0–100%
13	Red 5	000 ⇄ 255	0–100%
14	Green 5	000 ⇄ 255	0–100%
15	Blue 5	000 ⇄ 255	0–100%
16	Red 6	000 ⇄ 255	0–100%
17	Green 6	000 ⇄ 255	0–100%
18	Blue 6	000 ⇄ 255	0–100%
19	Red 7	000 ⇄ 255	0–100%
20	Green 7	000 ⇄ 255	0–100%
21	Blue 7	000 ⇄ 255	0–100%
22	Red 8	000 ⇄ 255	0–100%
23	Green 8	000 ⇄ 255	0–100%
24	Blue 8	000 ⇄ 255	0–100%
25	Red 9	000 ⇄ 255	0–100%

## Operation

Channel	Function	Value	Percent/Setting
26	Green 9	000 ⇄ 255	0–100%
27	Blue 9	000 ⇄ 255	0–100%
28	Red 10	000 ⇄ 255	0–100%
29	Green 10	000 ⇄ 255	0–100%
30	Blue 10	000 ⇄ 255	0–100%
31	Red 11	000 ⇄ 255	0–100%
32	Green 11	000 ⇄ 255	0–100%
33	Blue 11	000 ⇄ 255	0–100%
34	Red 12	000 ⇄ 255	0–100%
35	Green 12	000 ⇄ 255	0–100%
36	Blue 12	000 ⇄ 255	0–100%
37	Red 13	000 ⇄ 255	0–100%
38	Green 13	000 ⇄ 255	0–100%
39	Blue 13	000 ⇄ 255	0–100%
40	Red 14	000 ⇄ 255	0–100%
41	Green 14	000 ⇄ 255	0–100%
42	Blue 14	000 ⇄ 255	0–100%
43	Red 15	000 ⇄ 255	0–100%
44	Green 15	000 ⇄ 255	0–100%
45	Blue 15	000 ⇄ 255	0–100%
46	Red 16	000 ⇄ 255	0–100%
47	Green 16	000 ⇄ 255	0–100%
48	Blue 16	000 ⇄ 255	0–100%
49	Red 17	000 ⇄ 255	0–100%
50	Green 17	000 ⇄ 255	0–100%
51	Blue 17	000 ⇄ 255	0–100%
52	Red 18	000 ⇄ 255	0–100%
53	Green 18	000 ⇄ 255	0–100%
54	Blue 18	000 ⇄ 255	0–100%
55	Red 19	000 ⇄ 255	0–100%
56	Green 19	000 ⇄ 255	0–100%
57	Blue 19	000 ⇄ 255	0–100%
58	Red 20	000 ⇄ 255	0–100%
59	Green 20	000 ⇄ 255	0–100%
60	Blue 20	000 ⇄ 255	0–100%
61	Red 21	000 ⇄ 255	0–100%
62	Green 21	000 ⇄ 255	0–100%
63	Blue 21	000 ⇄ 255	0–100%
64	Red 22	000 ⇄ 255	0–100%
65	Green 22	000 ⇄ 255	0–100%
66	Blue 22	000 ⇄ 255	0–100%
67	Red 23	000 ⇄ 255	0–100%
68	Green 23	000 ⇄ 255	0–100%
69	Blue 23	000 ⇄ 255	0–100%
70	Red 24	000 ⇄ 255	0–100%
71	Green 24	000 ⇄ 255	0–100%

Channel	Function	Value	Percent/Setting
72	Blue 24	000 ⇄ 255	0–100%
73	Red 25	000 ⇄ 255	0–100%
74	Green 25	000 ⇄ 255	0–100%
75	Blue 25	000 ⇄ 255	0–100%
76	Red 26	000 ⇄ 255	0–100%
77	Green 26	000 ⇄ 255	0–100%
78	Blue 26	000 ⇄ 255	0–100%
79	Red 27	000 ⇄ 255	0–100%
80	Green 27	000 ⇄ 255	0–100%
81	Blue 27	000 ⇄ 255	0–100%
82	Red 28	000 ⇄ 255	0–100%
83	Green 28	000 ⇄ 255	0–100%
84	Blue 28	000 ⇄ 255	0–100%
85	Red 29	000 ⇄ 255	0–100%
86	Green 29	000 ⇄ 255	0–100%
87	Blue 29	000 ⇄ 255	0–100%
88	Red 30	000 ⇄ 255	0–100%
89	Green 30	000 ⇄ 255	0–100%
90	Blue 30	000 ⇄ 255	0–100%
91	Red 31	000 ⇄ 255	0–100%
92	Green 31	000 ⇄ 255	0–100%
93	Blue 31	000 ⇄ 255	0–100%
94	Red 32	000 ⇄ 255	0–100%
95	Green 32	000 ⇄ 255	0–100%
96	Blue 32	000 ⇄ 255	0–100%
97	Red 33	000 ⇄ 255	0–100%
98	Green 33	000 ⇄ 255	0–100%
99	Blue 33	000 ⇄ 255	0–100%
100	Red 34	000 ⇄ 255	0–100%
101	Green 34	000 ⇄ 255	0–100%
102	Blue 34	000 ⇄ 255	0–100%
103	Red 35	000 ⇄ 255	0–100%
104	Green 35	000 ⇄ 255	0–100%
105	Blue 35	000 ⇄ 255	0–100%
106	Red 36	000 ⇄ 255	0–100%
107	Green 36	000 ⇄ 255	0–100%
108	Blue 36	000 ⇄ 255	0–100%
109	Red 37	000 ⇄ 255	0–100%
110	Green 37	000 ⇄ 255	0–100%
111	Blue 37	000 ⇄ 255	0–100%
112	Red 38	000 ⇄ 255	0–100%
113	Green 38	000 ⇄ 255	0–100%
114	Blue 38	000 ⇄ 255	0–100%
115	Red 39	000 ⇄ 255	0–100%
116	Green 39	000 ⇄ 255	0–100%
117	Blue 39	000 ⇄ 255	0–100%

## Operation

Channel	Function	Value	Percent/Setting
118	Red 40	000 ⇄ 255	0–100%
119	Green 40	000 ⇄ 255	0–100%
120	Blue 40	000 ⇄ 255	0–100%
121	Red 41	000 ⇄ 255	0–100%
122	Green 41	000 ⇄ 255	0–100%
123	Blue 41	000 ⇄ 255	0–100%
124	Red 42	000 ⇄ 255	0–100%
125	Green 42	000 ⇄ 255	0–100%
126	Blue 42	000 ⇄ 255	0–100%
127	Red 43	000 ⇄ 255	0–100%
128	Green 43	000 ⇄ 255	0–100%
129	Blue 43	000 ⇄ 255	0–100%
130	Red 44	000 ⇄ 255	0–100%
131	Green 44	000 ⇄ 255	0–100%
132	Blue 44	000 ⇄ 255	0–100%
133	Red 45	000 ⇄ 255	0–100%
134	Green 45	000 ⇄ 255	0–100%
135	Blue 45	000 ⇄ 255	0–100%
136	Red 46	000 ⇄ 255	0–100%
137	Green 46	000 ⇄ 255	0–100%
138	Blue 46	000 ⇄ 255	0–100%
139	Red 47	000 ⇄ 255	0–100%
140	Green 47	000 ⇄ 255	0–100%
141	Blue 47	000 ⇄ 255	0–100%
142	Red 48	000 ⇄ 255	0–100%
143	Green 48	000 ⇄ 255	0–100%
144	Blue 48	000 ⇄ 255	0–100%
145	Red 49	000 ⇄ 255	0–100%
146	Green 49	000 ⇄ 255	0–100%
147	Blue 49	000 ⇄ 255	0–100%
148	Red 50	000 ⇄ 255	0–100%
149	Green 50	000 ⇄ 255	0–100%
150	Blue 50	000 ⇄ 255	0–100%
151	Red 51	000 ⇄ 255	0–100%
152	Green 51	000 ⇄ 255	0–100%
153	Blue 51	000 ⇄ 255	0–100%
154	Red 52	000 ⇄ 255	0–100%
155	Green 52	000 ⇄ 255	0–100%
156	Blue 52	000 ⇄ 255	0–100%
157	Red 53	000 ⇄ 255	0–100%
158	Green 53	000 ⇄ 255	0–100%
159	Blue 53	000 ⇄ 255	0–100%
160	Red 54	000 ⇄ 255	0–100%
161	Green 54	000 ⇄ 255	0–100%
162	Blue 54	000 ⇄ 255	0–100%
163	Red 55	000 ⇄ 255	0–100%

Channel	Function	Value	Percent/Setting
164	Green 55	000 ⇄ 255	0–100%
165	Blue 55	000 ⇄ 255	0–100%
166	Red 56	000 ⇄ 255	0–100%
167	Green 56	000 ⇄ 255	0–100%
168	Blue 56	000 ⇄ 255	0–100%
169	Red 57	000 ⇄ 255	0–100%
170	Green 57	000 ⇄ 255	0–100%
171	Blue 57	000 ⇄ 255	0–100%
172	Red 58	000 ⇄ 255	0–100%
173	Green 58	000 ⇄ 255	0–100%
174	Blue 58	000 ⇄ 255	0–100%
175	Red 59	000 ⇄ 255	0–100%
176	Green 59	000 ⇄ 255	0–100%
177	Blue 59	000 ⇄ 255	0–100%
178	Red 60	000 ⇄ 255	0–100%
179	Green 60	000 ⇄ 255	0–100%
180	Blue 60	000 ⇄ 255	0–100%
181	Red 61	000 ⇄ 255	0–100%
182	Green 61	000 ⇄ 255	0–100%
183	Blue 61	000 ⇄ 255	0–100%
184	Red 62	000 ⇄ 255	0–100%
185	Green 62	000 ⇄ 255	0–100%
186	Blue 62	000 ⇄ 255	0–100%
187	Red 63	000 ⇄ 255	0–100%
188	Green 63	000 ⇄ 255	0–100%
189	Blue 63	000 ⇄ 255	0–100%
190	Red 64	000 ⇄ 255	0–100%
191	Green 64	000 ⇄ 255	0–100%
192	Blue 64	000 ⇄ 255	0–100%
193	Red 65	000 ⇄ 255	0–100%
194	Green 65	000 ⇄ 255	0–100%
195	Blue 65	000 ⇄ 255	0–100%
196	Red 66	000 ⇄ 255	0–100%
197	Green 66	000 ⇄ 255	0–100%
198	Blue 66	000 ⇄ 255	0–100%
199	Red 67	000 ⇄ 255	0–100%
200	Green 67	000 ⇄ 255	0–100%
201	Blue 67	000 ⇄ 255	0–100%
202	Red 68	000 ⇄ 255	0–100%
203	Green 68	000 ⇄ 255	0–100%
204	Blue 68	000 ⇄ 255	0–100%
205	Red 69	000 ⇄ 255	0–100%
206	Green 69	000 ⇄ 255	0–100%
207	Blue 69	000 ⇄ 255	0–100%
208	Red 70	000 ⇄ 255	0–100%
209	Green 70	000 ⇄ 255	0–100%

## Operation

Channel	Function	Value	Percent/Setting
210	Blue 70	000 ⇄ 255	0–100%
211	Red 71	000 ⇄ 255	0–100%
212	Green 71	000 ⇄ 255	0–100%
213	Blue 71	000 ⇄ 255	0–100%
214	Red 72	000 ⇄ 255	0–100%
215	Green 72	000 ⇄ 255	0–100%
216	Blue 72	000 ⇄ 255	0–100%
217	Red 73	000 ⇄ 255	0–100%
218	Green 73	000 ⇄ 255	0–100%
219	Blue 73	000 ⇄ 255	0–100%
220	Red 74	000 ⇄ 255	0–100%
221	Green 74	000 ⇄ 255	0–100%
222	Blue 74	000 ⇄ 255	0–100%
223	Red 75	000 ⇄ 255	0–100%
224	Green 75	000 ⇄ 255	0–100%
225	Blue 75	000 ⇄ 255	0–100%
226	Red 76	000 ⇄ 255	0–100%
227	Green 76	000 ⇄ 255	0–100%
228	Blue 76	000 ⇄ 255	0–100%
229	Red 77	000 ⇄ 255	0–100%
230	Green 77	000 ⇄ 255	0–100%
231	Blue 77	000 ⇄ 255	0–100%
232	Red 78	000 ⇄ 255	0–100%
233	Green 78	000 ⇄ 255	0–100%
234	Blue 78	000 ⇄ 255	0–100%
235	Red 79	000 ⇄ 255	0–100%
236	Green 79	000 ⇄ 255	0–100%
237	Blue 79	000 ⇄ 255	0–100%
238	Red 80	000 ⇄ 255	0–100%
239	Green 80	000 ⇄ 255	0–100%
240	Blue 80	000 ⇄ 255	0–100%
241	Red 81	000 ⇄ 255	0–100%
242	Green 81	000 ⇄ 255	0–100%
243	Blue 81	000 ⇄ 255	0–100%
244	Red 82	000 ⇄ 255	0–100%
245	Green 82	000 ⇄ 255	0–100%
246	Blue 82	000 ⇄ 255	0–100%
247	Red 83	000 ⇄ 255	0–100%
248	Green 83	000 ⇄ 255	0–100%
249	Blue 83	000 ⇄ 255	0–100%
250	Red 84	000 ⇄ 255	0–100%
251	Green 84	000 ⇄ 255	0–100%
252	Blue 84	000 ⇄ 255	0–100%
253	Red 85	000 ⇄ 255	0–100%
254	Green 85	000 ⇄ 255	0–100%
255	Blue 85	000 ⇄ 255	0–100%

Channel	Function	Value	Percent/Setting
256	Red 86	000 ⇄ 255	0–100%
257	Green 86	000 ⇄ 255	0–100%
258	Blue 86	000 ⇄ 255	0–100%
259	Red 87	000 ⇄ 255	0–100%
260	Green 87	000 ⇄ 255	0–100%
261	Blue 87	000 ⇄ 255	0–100%
262	Red 88	000 ⇄ 255	0–100%
263	Green 88	000 ⇄ 255	0–100%
264	Blue 88	000 ⇄ 255	0–100%
265	Red 89	000 ⇄ 255	0–100%
266	Green 89	000 ⇄ 255	0–100%
267	Blue 89	000 ⇄ 255	0–100%
268	Red 90	000 ⇄ 255	0–100%
269	Green 90	000 ⇄ 255	0–100%
270	Blue 90	000 ⇄ 255	0–100%
271	Red 91	000 ⇄ 255	0–100%
272	Green 91	000 ⇄ 255	0–100%
273	Blue 91	000 ⇄ 255	0–100%
274	Red 92	000 ⇄ 255	0–100%
275	Green 92	000 ⇄ 255	0–100%
276	Blue 92	000 ⇄ 255	0–100%
277	Red 93	000 ⇄ 255	0–100%
278	Green 93	000 ⇄ 255	0–100%
279	Blue 93	000 ⇄ 255	0–100%
280	Red 94	000 ⇄ 255	0–100%
281	Green 94	000 ⇄ 255	0–100%
282	Blue 94	000 ⇄ 255	0–100%
283	Red 95	000 ⇄ 255	0–100%
284	Green 95	000 ⇄ 255	0–100%
285	Blue 95	000 ⇄ 255	0–100%
286	Red 96	000 ⇄ 255	0–100%
287	Green 96	000 ⇄ 255	0–100%
288	Blue 96	000 ⇄ 255	0–100%
289	Red 97	000 ⇄ 255	0–100%
290	Green 97	000 ⇄ 255	0–100%
291	Blue 97	000 ⇄ 255	0–100%
292	Red 98	000 ⇄ 255	0–100%
293	Green 98	000 ⇄ 255	0–100%
294	Blue 98	000 ⇄ 255	0–100%
295	Red 99	000 ⇄ 255	0–100%
296	Green 99	000 ⇄ 255	0–100%
297	Blue 99	000 ⇄ 255	0–100%
298	Red 100	000 ⇄ 255	0–100%
299	Green 100	000 ⇄ 255	0–100%
300	Blue 100	000 ⇄ 255	0–100%

## Operation

### Groups of 5 Pixels

Channel	Function	Value	Percent/Setting
1	Red 1–5	000 ⇄ 255	0–100%
2	Green 1–5	000 ⇄ 255	0–100%
3	Blue 1–5	000 ⇄ 255	0–100%
4	Red 6–10	000 ⇄ 255	0–100%
5	Green 6–10	000 ⇄ 255	0–100%
6	Blue 6–10	000 ⇄ 255	0–100%
7	Red 11–15	000 ⇄ 255	0–100%
8	Green 11–15	000 ⇄ 255	0–100%
9	Blue 11–15	000 ⇄ 255	0–100%
10	Red 16–20	000 ⇄ 255	0–100%
11	Green 16–20	000 ⇄ 255	0–100%
12	Blue 16–20	000 ⇄ 255	0–100%
13	Red 21–25	000 ⇄ 255	0–100%
14	Green 21–25	000 ⇄ 255	0–100%
15	Blue 21–25	000 ⇄ 255	0–100%
16	Red 26–30	000 ⇄ 255	0–100%
17	Green 26–30	000 ⇄ 255	0–100%
18	Blue 26–30	000 ⇄ 255	0–100%
19	Red 31–35	000 ⇄ 255	0–100%
20	Green 31–35	000 ⇄ 255	0–100%
21	Blue 31–35	000 ⇄ 255	0–100%
22	Red 36–40	000 ⇄ 255	0–100%
23	Green 36–40	000 ⇄ 255	0–100%
24	Blue 36–40	000 ⇄ 255	0–100%
25	Red 41–45	000 ⇄ 255	0–100%
26	Green 41–45	000 ⇄ 255	0–100%
27	Blue 41–45	000 ⇄ 255	0–100%
28	Red 46–50	000 ⇄ 255	0–100%
29	Green 46–50	000 ⇄ 255	0–100%
30	Blue 46–50	000 ⇄ 255	0–100%
31	Red 51–55	000 ⇄ 255	0–100%
32	Green 51–55	000 ⇄ 255	0–100%
33	Blue 51–55	000 ⇄ 255	0–100%
34	Red 56–60	000 ⇄ 255	0–100%
35	Green 56–60	000 ⇄ 255	0–100%
36	Blue 56–60	000 ⇄ 255	0–100%
37	Red 61–65	000 ⇄ 255	0–100%
38	Green 61–65	000 ⇄ 255	0–100%
39	Blue 61–65	000 ⇄ 255	0–100%
40	Red 66–70	000 ⇄ 255	0–100%
41	Green 66–70	000 ⇄ 255	0–100%
42	Blue 66–70	000 ⇄ 255	0–100%
43	Red 71–75	000 ⇄ 255	0–100%
44	Green 71–75	000 ⇄ 255	0–100%
45	Blue 71–75	000 ⇄ 255	0–100%

Channel	Function	Value	Percent/Setting
46	Red 76–80	000 ⇄ 255	0–100%
47	Green 76–80	000 ⇄ 255	0–100%
48	Blue 76–80	000 ⇄ 255	0–100%
49	Red 81–85	000 ⇄ 255	0–100%
50	Green 81–85	000 ⇄ 255	0–100%
51	Blue 81–85	000 ⇄ 255	0–100%
52	Red 86–90	000 ⇄ 255	0–100%
53	Green 86–90	000 ⇄ 255	0–100%
54	Blue 86–90	000 ⇄ 255	0–100%
55	Red 91–95	000 ⇄ 255	0–100%
56	Green 91–95	000 ⇄ 255	0–100%
57	Blue 91–95	000 ⇄ 255	0–100%
58	Red 96–100	000 ⇄ 255	0–100%
59	Green 96–100	000 ⇄ 255	0–100%
60	Blue 96–100	000 ⇄ 255	0–100%

**Groups of 10 Pixels**

Channel	Function	Value	Percent/Setting
1	Red 1–10	000 ⇄ 255	0–100%
2	Green 1–10	000 ⇄ 255	0–100%
3	Blue 1–10	000 ⇄ 255	0–100%
4	Red 11–20	000 ⇄ 255	0–100%
5	Green 11–20	000 ⇄ 255	0–100%
6	Blue 11–20	000 ⇄ 255	0–100%
7	Red 21–30	000 ⇄ 255	0–100%
8	Green 21–30	000 ⇄ 255	0–100%
9	Blue 21–30	000 ⇄ 255	0–100%
10	Red 31–40	000 ⇄ 255	0–100%
11	Green 31–40	000 ⇄ 255	0–100%
12	Blue 31–40	000 ⇄ 255	0–100%
13	Red 41–50	000 ⇄ 255	0–100%
14	Green 41–50	000 ⇄ 255	0–100%
15	Blue 41–50	000 ⇄ 255	0–100%
16	Red 51–60	000 ⇄ 255	0–100%
17	Green 51–60	000 ⇄ 255	0–100%
18	Blue 51–60	000 ⇄ 255	0–100%
19	Red 61–70	000 ⇄ 255	0–100%
20	Green 61–70	000 ⇄ 255	0–100%
21	Blue 61–70	000 ⇄ 255	0–100%
22	Red 71–80	000 ⇄ 255	0–100%
23	Green 71–80	000 ⇄ 255	0–100%
24	Blue 71–80	000 ⇄ 255	0–100%
25	Red 81–90	000 ⇄ 255	0–100%
26	Green 81–90	000 ⇄ 255	0–100%
27	Blue 81–90	000 ⇄ 255	0–100%
28	Red 91–100	000 ⇄ 255	0–100%

## Operation

Channel	Function	Value	Percent/Setting
29	Green 91–100	000 ⇔ 255	0–100%
30	Blue 91–100	000 ⇔ 255	0–100%

### Groups of 25 Pixels

Channel	Function	Value	Percent/Setting
1	Red 1–25	000 ⇔ 255	0–100%
2	Green 1–25	000 ⇔ 255	0–100%
3	Blue 1–25	000 ⇔ 255	0–100%
4	Red 26–50	000 ⇔ 255	0–100%
5	Green 26–50	000 ⇔ 255	0–100%
6	Blue 26–50	000 ⇔ 255	0–100%
7	Red 51–75	000 ⇔ 255	0–100%
8	Green 51–75	000 ⇔ 255	0–100%
9	Blue 51–75	000 ⇔ 255	0–100%
10	Red 76–100	000 ⇔ 255	0–100%
11	Green 76–100	000 ⇔ 255	0–100%
12	Blue 76–100	000 ⇔ 255	0–100%

### Groups of 50 Pixels

Channel	Function	Value	Percent/Setting
1	Red 1–50	000 ⇔ 255	0–100%
2	Green 1–50	000 ⇔ 255	0–100%
3	Blue 1–50	000 ⇔ 255	0–100%
4	Red 51–100	000 ⇔ 255	0–100%
5	Green 51–100	000 ⇔ 255	0–100%
6	Blue 51–100	000 ⇔ 255	0–100%

## 5. Maintenance

### Product Maintenance

Dust build-up reduces light output performance and can cause overheating. This can lead to reduction of the light source's life and/or mechanical wear. To maintain optimum performance and minimize wear, clean each lighting product at least twice a month. However, be aware that usage and environmental conditions could be contributing factors to increase the cleaning frequency.

To clean the product, follow the instructions below:

1. Unplug the product from power.
2. Wait until the product is at room temperature.
3. Use a vacuum (or dry compressed air) and a soft brush to remove dust collected on the external surface/vents.
4. Clean all transparent surfaces with a mild soap solution, ammonia-free glass cleaner, or isopropyl alcohol.
5. Apply the solution directly to a soft, lint free cotton cloth or a lens cleaning tissue.
6. Softly drag any dirt or grime to the outside of the transparent surface.
7. Gently polish the transparent surfaces until they are free of haze and lint.



**Always dry the transparent surfaces carefully after cleaning them.**

## 6. Technical Specifications

### Dimensions and Weight

Filter	Length	Width	Height	Weight
No filter	39.37 in (1000 mm)	1.161 in (29.5 mm)	2.862 in (72.7 mm)	
Square filter	39.37 in (1000 mm)	1.228 in (31.2 mm)	2.953 in (75 mm)	2.89 lb (1.3 kg)
Round filter	39.37 in (1000 mm)	1.969 in (50.0 mm)	4.63 in (117.6 mm)	

**Note:** Dimensions in inches are rounded.

### Power

Power Supply Type	Input Voltage	Power and Current (STANDARD)	Power and Current (HI OUTPUT)
External (ÉPIX D4 IP)	48 VDC	21 W, 0.44 A	32 W, 0.671 A

### Light Source

Type	Color	Quantity	Lifespan
SMD 2727 LED	Tri-color RGB	100	50,000 hours

### Photometrics

Beam Angle	Field Angle	Viewing Angle	Pixel Pitch	Refresh Rate
115.2°	163°	171.6°	10 mm	4,900 Hz

Parameter	No Filter	Square Milky White Filter	Square Black Stealth Filter	Round Milky White Filter
Lumens	1,538	784	239	943

### Thermal

Maximum External Temperature	Cooling System
113 °F (45 °C)	Convection

### Control

Power and Signal I/O Connector	Channel Range
4-pin XLR	2, 18, Groups of 5, 10, 25, 50, or 300

### Ordering

Product Name	Item Name	Item Code	UPC Number
ÉPIX LINE 10 IP	EPIXL10IP	03092562	781462229108



UL 60950-1  
CSA C22.2 No. 60950-1  
E113093-1110, E113093-1125



## Contact Us

General Information	Technical Support
<b>Chauvet World Headquarters</b>	
Address: 3360 Davie Rd., Suite 509 Davie, FL 33314 Voice: (954) 577-4455 Fax: (954) 929-5560 Toll Free: (800) 762-1084	Voice: (844) 393-7575 Fax: (954) 756-8015 Email: <a href="mailto:chauvetcs@chauvetlighting.com">chauvetcs@chauvetlighting.com</a> Website: <a href="http://www.chauvetprofessional.com">www.chauvetprofessional.com</a>
<b>Chauvet U.K.</b>	
Address: Pod 1 EVO Park Little Oak Drive, Sherwood Park Nottinghamshire, NG15 0EB UK Voice: +44 (0) 1773 511115 Fax: +44 (0) 1773 511110	Email: <a href="mailto:UKtech@chauvetlighting.eu">UKtech@chauvetlighting.eu</a> Website: <a href="http://www.chauvetprofessional.eu">www.chauvetprofessional.eu</a>
<b>Chauvet Benelux</b>	
Address: Vaartlaan 9 9800 Deinze Belgium Voice: +32 9 388 93 97	Email: <a href="mailto:BNLtech@chauvetlighting.eu">BNLtech@chauvetlighting.eu</a> Website: <a href="http://www.chauvetprofessional.eu">www.chauvetprofessional.eu</a>
<b>Chauvet France</b>	
Address: 3, Rue Ampère 91380 Chilly-Mazarin France Voice: +33 1 78 85 33 59	Email: <a href="mailto:FRtech@chauvetlighting.fr">FRtech@chauvetlighting.fr</a> Website: <a href="http://www.chauvetprofessional.eu">www.chauvetprofessional.eu</a>
<b>Chauvet Germany</b>	
Address: Bruno-Bürgel-Str. 11 28759 Bremen Germany Voice: +49 421 62 60 20	Email: <a href="mailto:DEtech@chauvetlighting.de">DEtech@chauvetlighting.de</a> Website: <a href="http://www.chauvetprofessional.eu">www.chauvetprofessional.eu</a>
<b>Chauvet Mexico</b>	
Address: Av. de las Partidas 34 - 3B (Entrance by Calle 2) Zona Industrial Lerma Lerma, Edo. de México, CP 52000 Voice: +52 (728) 690-2010	Email: <a href="mailto:servicio@chauvet.com.mx">servicio@chauvet.com.mx</a> Website: <a href="http://www.chauvetprofessional.mx">www.chauvetprofessional.mx</a>

## Warranty & Returns

For warranty terms and conditions and return information, please visit our website.

For customers in the United States and Mexico: [www.chauvetlighting.com/warranty-registration](http://www.chauvetlighting.com/warranty-registration).

For customers in the United Kingdom, Republic of Ireland, Belgium, the Netherlands, Luxembourg, France, and Germany: [www.chauvetlighting.eu/warranty-registration](http://www.chauvetlighting.eu/warranty-registration).