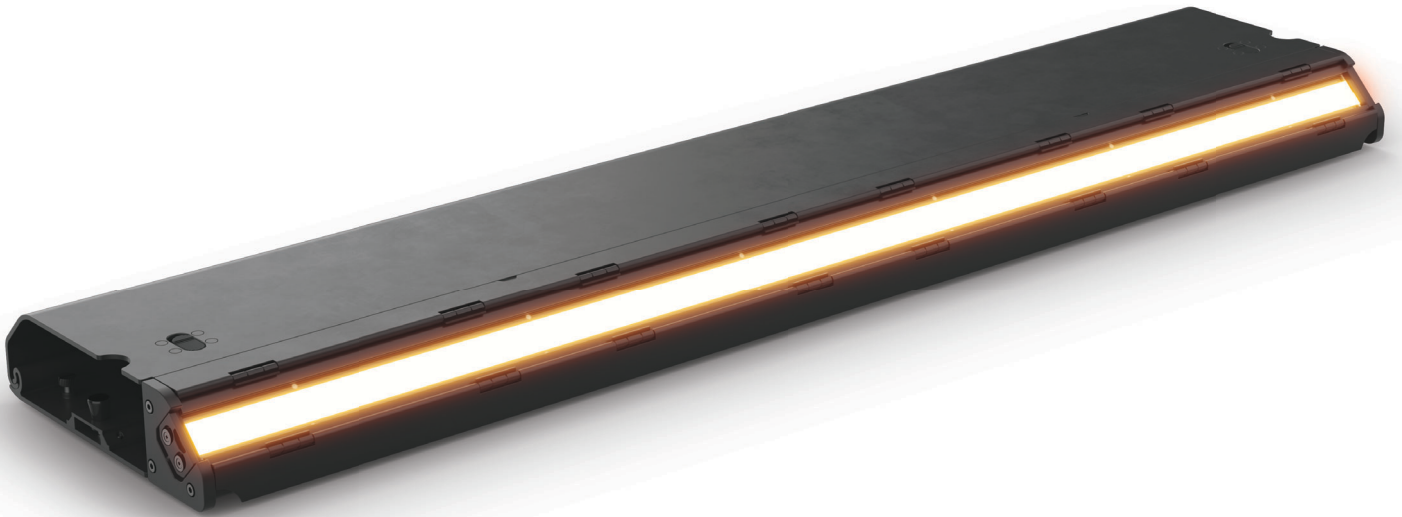


COLORADO *SOLO EDGE* 3

User Manual



Model ID: COLORADOEDGE3


CHAUVET
PROFESSIONAL

Edition Notes

The COLORado Solo Edge 3 User Manual includes a description, safety precautions, installation, programming, operation, and maintenance instructions for the COLORado Solo Edge 3 as of the release date of this edition.

Trademarks

Chauvet, Chauvet Professional, the Chauvet logo, COLORado, and COLORado Edge are registered trademarks or trademarks of Chauvet & Sons, LLC (d/b/a Chauvet and Chauvet Lighting) in the United States and other countries. Other company and product names and logos referred to herein may be trademarks of their respective companies.

Copyright Notice

The works of authorship contained in this manual, including, but not limited to, all designs, text, and images are owned by Chauvet.

© Copyright 2026 Chauvet & Sons, LLC. All rights reserved.

Electronically published by Chauvet in the United States of America.

Manual Use

Chauvet authorizes its customers to download and print this manual for professional information purposes only. Chauvet expressly prohibits the usage, copy, storage, distribution, modification, or printing of this manual or its content for any other purpose without written consent from Chauvet.

Document Printing

For best results, print this document in color, on letter size paper (8.5 x 11 in), double-sided. If using A4 paper (210 x 297 mm), configure the printer to scale the content accordingly.

Intended Audience

Any person installing, operating, and/or maintaining this product should completely read through the guide that shipped with the product, as well as this manual, before installing, operating, or maintaining this product.

Disclaimer

Chauvet believes that the information contained in this manual is accurate in all respects. However, Chauvet assumes no responsibility and specifically disclaims any and all liability to any party for any loss, damage, or disruption caused by any errors or omissions in this document, whether such errors or omissions result from negligence, accident, or any other cause. Chauvet reserves the right to revise the content of this document without any obligation to notify any person or company of such revision. However, Chauvet has no obligation to make, and does not commit to make, any such revisions.

Document Revision

Go to www.chauvetprofessional.com for the latest version.

Revision	Date	Description
2	03/2026	Updated DMX chart

TABLE OF CONTENTS

- 1. Before You Begin** 1
 - What Is Included 1
 - Claims 1
 - Text Conventions 1
 - Symbols 1
 - Safety Notes..... 2
 - FCC Statement of Compliance 3
 - Expected LED Lifespan..... 3
- 2. Introduction** 4
 - Features 4
 - Product Overview 4
 - Product Dimensions 5
- 3. Setup** 6
 - AC Power 6
 - AC Plug 6
 - Power Linking..... 6
 - Signal Connections 7
 - Control Personalities 7
 - Art-Net™ Connection 7
 - sACN Connection..... 7
 - Ethernet Connection Diagram 7
 - DMX Linking..... 8
 - DMX Personalities..... 8
 - Master/Slave Connectivity..... 8
 - USB Software Update 8
 - Force Upload..... 9
 - Mounting 10
 - Orientation..... 10
 - Rigging 10
 - Procedure..... 10
 - Stealth Filter 11
 - Connecting Multiple Fixtures..... 11
- 4. Operation** 12
 - Control Panel Description 12
 - Control Options 12
 - Programming..... 12
 - Battery Powered Display..... 12
 - Control Panel Lock..... 12
 - Passcode 12
 - Menu Map 13
 - Control Configuration 19
 - Control Mode..... 19
 - Control Personalities 19
 - Starting Address..... 20
 - Ethernet Settings..... 21

IP Mode.....	21
Universe.....	21
Start Channel.....	21
IP Address.....	21
Subnet Mask.....	21
Ethernet to DMX.....	21
Virtual Color Wheel.....	22
Virtual Color Wheel Chart.....	22
Color Temperature Chart.....	23
DMX Channel Assignments and Values.....	23
Control Chart.....	23
Indicator Color Chart.....	23
Strobe Chart.....	24
4 Cell Personalities.....	24
RGB 14ch - RGBWL Full 69ch.....	24
HSV 15ch.....	26
CCT 15ch.....	26
2 Cell Personalities.....	27
RGB 8ch - RGBWL Full 37ch.....	27
HSV 9ch.....	28
CCT 9ch.....	28
1 Cell Personalities.....	28
XY.....	28
RGB 5ch - RGBWL Full 21ch.....	29
HSV 6ch.....	29
CCT 6ch.....	29
Standalone Configuration.....	30
Static Mode.....	30
Fixed Colors.....	30
Manual Color Mixer.....	30
Color Temperature.....	30
Auto Show.....	30
Virtual Color Wheel.....	30
Color X-Fade Speed.....	30
Settings Configuration.....	31
Master/Slave.....	31
Other Settings.....	31
Cell Order.....	31
Color Calibration.....	31
Red Shift.....	31
Dimmer Curve.....	31
Dimmer Speed Mode.....	31
Display Backlight.....	31
Display Invert.....	31
Pulse Width Modulation.....	32
Power Steady Mode.....	32
Key Lock.....	32
Info & Updating.....	32
Information.....	32
Temperature.....	32
Clock Setting.....	32
Current Time.....	32
Factory Reset.....	32
Web Server.....	33
Home.....	33
Settings.....	33
Output.....	33

Table of Contents

Security	33
5. Maintenance	34
Product Maintenance	34
Torque Measurements	34
Vacuum Test Measurements	34
6. Technical Specifications	35
Contact Us	36
Warranty & Returns.....	36

1. Before You Begin

What Is Included

- COLORado Solo Edge 3
- Seetronic Powerkon IP65 power cable
- Power and Data linking cables
- Stealth filter
- 2 Omega brackets with mounting hardware
- Quick Reference Guide

Claims

Carefully unpack the product immediately and check the container to make sure all the parts are in the package and are in good condition.




If the box or the contents (the product and included accessories) appear damaged from shipping, or show signs of mishandling, notify the carrier immediately, not Chauvet. Failure to report damage to the carrier immediately may invalidate a claim. In addition, keep the box and contents for inspection.

For other issues, such as missing components or parts, damage not related to shipping, or concealed damage, file a claim with Chauvet within 7 days of delivery.

Text Conventions

Convention	Meaning
1–512	A range of values
50/60	A set of values of which only one can be chosen
Settings	A menu option not to be modified
<ENTER>	A key to be pressed on the product’s control panel

Symbols

Symbol	Meaning
	Critical installation, configuration, or operation information. Not following these instructions may make the product not work, cause damage to the product, or cause harm to the operator.
	Important installation or configuration information. The product may not function correctly if this information is not used.
	Useful information.



Any reference to data or power connections in this manual assumes the use of Seetronic IP-rated cables.



The term “DMX” used throughout this manual refers to the USITT DMX512-A digital data transmission protocol.

Connection of the control signal: DMX line

- The product has XLR sockets for DMX input and output.
- Notice: This control circuit is isolated and belongs to the Class 2 data port.

The control circuit has a cumulative leakage current of less than 3.5 mA.

Before You Begin

Safety Notes

Read all the following safety notes before working with this product. These notes contain important information about the installation, usage, and maintenance of this product.



This product contains no user-serviceable parts. Any reference to servicing in this User Manual will only apply to properly trained, certified technicians. Do not open the housing or attempt any repairs.



All applicable local codes and regulations apply to proper installation of this product.

- The luminaire is intended for professional use only.
- The luminaire should be positioned so that prolonged staring into the luminaire at a distance closer than 11.48 ft (3.5 m) is not expected.
- If the external flexible cable or cord of this luminaire is damaged, it shall be replaced by a special cord or cord exclusively available from the manufacturer or its service agent.
- The light source contained in this luminaire shall only be replaced by the manufacturer or its service agent or a similar qualified person.
- **CAUTION:**
 - This product's housing may be hot when operating. Mount this product in a location with adequate ventilation, at least 20 in (50 cm) from adjacent surfaces.
 - When transferring the product from extreme temperature environments, (e.g., cold truck to warm humid ballroom) condensation may form on the internal electronics of the product. To avoid causing a failure, allow the product to fully acclimate to the surrounding environment before connecting it to power.
 - Flashing light is known to trigger epileptic seizures. User must comply with local laws regarding notification of strobe use.
- **ALWAYS:**
 - When using an IP65-rated product in an outdoor environment, use IP65- (or higher) rated power and data cable.
 - Replace and secure IP-rated protective covers to all power, data, USB, or other ports when not in use.
 - Replace the fuse with the same type and rating.
 - Use a safety cable when mounting this product overhead.
 - Connect this product to a grounded and protected circuit.
- **DO NOT:**
 - Open this product. It contains no user-serviceable parts.
 - Look at the light source when the product is on.
 - Leave any flammable material within 20 cm of this product while operating or connected to power.
 - Connect this product to a dimmer or rheostat.
 - Operate this product if the housing, lenses, or cables appear damaged.
 - Submerge this product (adhere to standards for the published IP rating). Regular outdoor operation is fine.
 - Permanently install outdoors in locations with extreme environmental conditions. This includes, but is not limited to:
 - Locations where normal temperatures exceed the temperature ranges in this manual.
 - Locations that are prone to flooding or being buried in snow.
 - Other areas where the product will be subject to extreme radiation or caustic substances.
- **ONLY** use the carry handles to carry this product.
- The maximum ambient temperature is 113 °F (45 °C). Do not operate this product at higher temperatures.
- The minimum ambient temperature is -4°F (-20°C). Do not operate the product at lower temperatures.
- To eliminate unnecessary wear and improve its lifespan, during periods of non-use completely disconnect the product from power via breaker or by unplugging it.
 - In the event of a serious operating problem, stop using immediately.

FCC Statement of Compliance

This device complies with Part 15 Part B of the FCC rules. Operation is subject to the following two conditions:

1. This device may not cause harmful interference, and
2. This device must accept any interference received, including interference that may cause undesired operation.

This equipment has been tested and found to comply with the limits for a Class B digital device, pursuant to Part 15 of the FCC Rules. These limits are designed to provide reasonable protection against harmful interference in a residential installation. This equipment generates uses and can radiate radio frequency energy and, if not installed and used in accordance with the instructions, may cause harmful interference to radio communications. However, there is no guarantee that interference will not occur in a particular installation. If this equipment does cause harmful interference to radio or television reception, which can be determined by turning the equipment off and on, the user is encouraged to try to correct the interference by one or more of the following measures:

- Reorient or relocate the receiving antenna.
- Increase the separation between the equipment and receiver.
- Connect the equipment into an outlet on a circuit different from that to which the receiver is connected.
- Consult the dealer or an experienced radio/TV technician for help.

Any changes or modifications not expressly approved by the party responsible for compliance could void the user's authority to operate the equipment.

Expected LED Lifespan

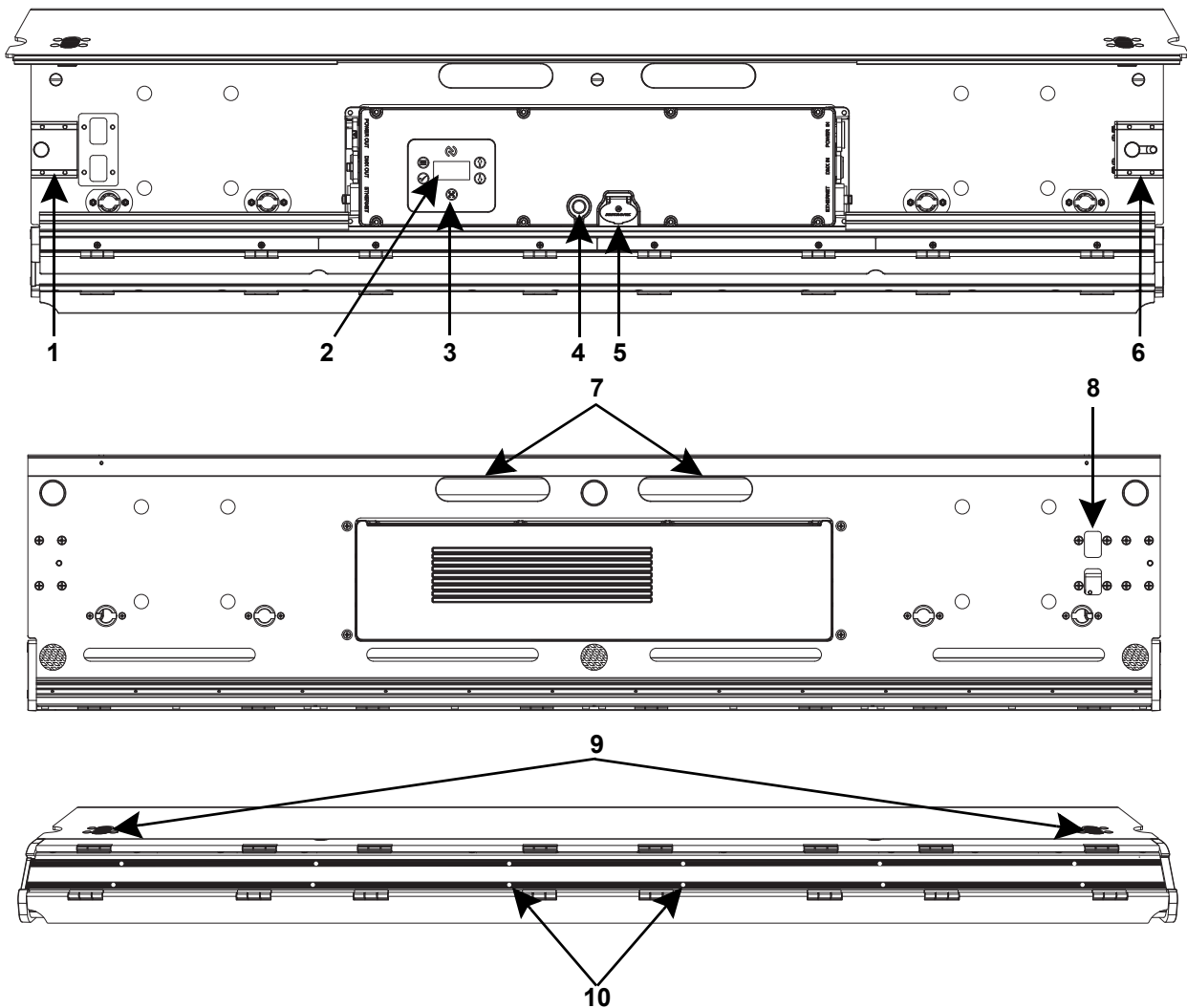
Over time, use and heat will gradually reduce LED brightness. Clustered LEDs produce more heat than single LEDs, contributing to shorter lifespans if always used at full intensity. The average LED lifespan is 40,000 to 50,000 hours. To extend LED lifespan, maintain proper ventilation around the product, and limit the overall intensity.

2. Introduction

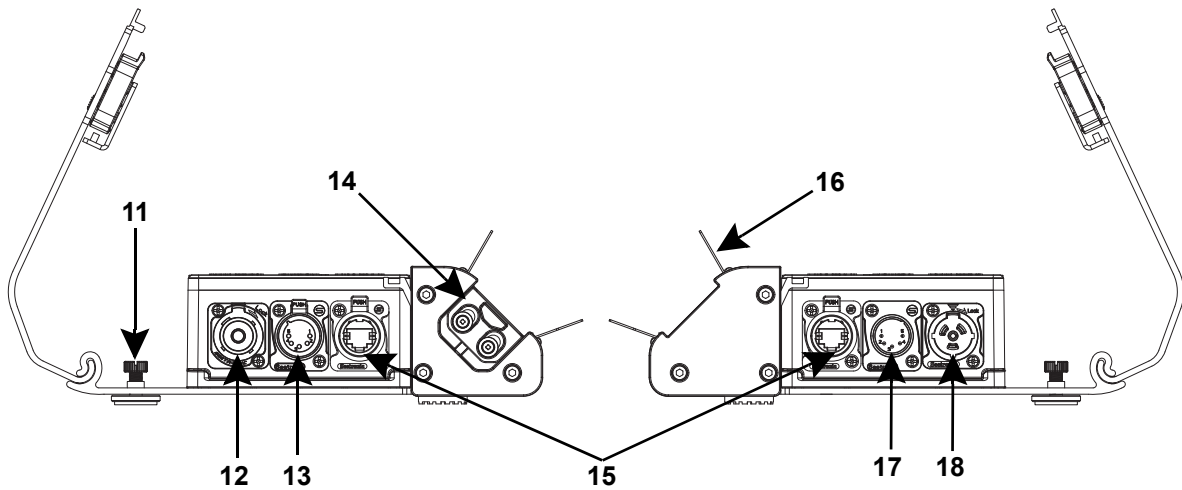
Features

- Low-profile, 1m, IP65-rated footlight with full-color and high-quality white light
- Single-source lens for smooth, even output with no distracting points of light and an additional stealth filter to help the fixture disappear when turned off
- Additional, fully-controllable RGB marker lights can be used to cue talent or mark the edge of the stage
- Designed for end-to-end use with no gaps or distracting cable mess and a covered display to keep everything elegantly unseen

Product Overview

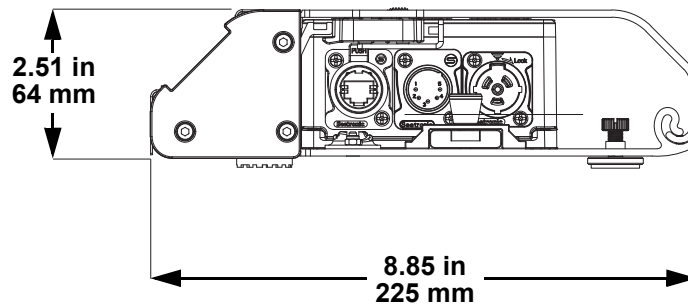
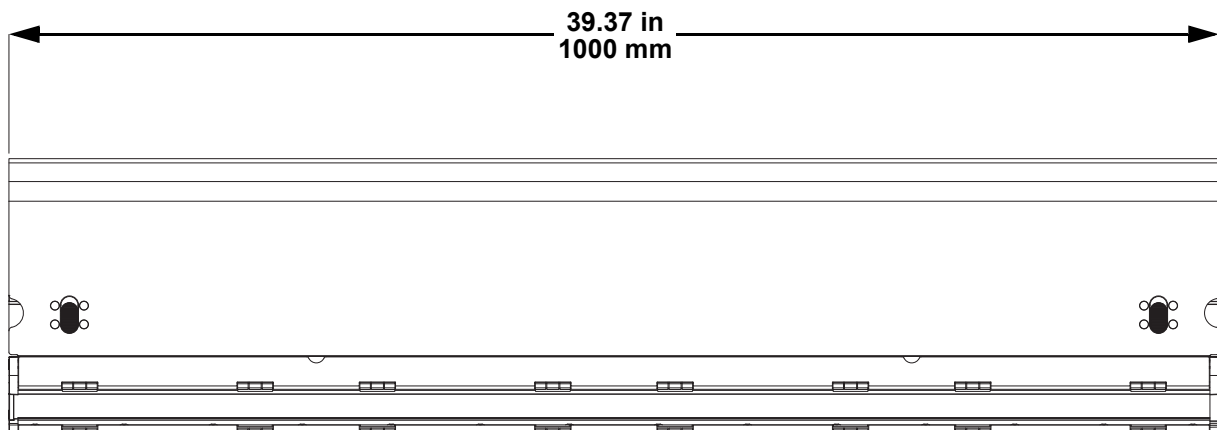


#	Name	#	Name
1	Integrated connecting socket	6	Integrated connecting stud
2	OLED display	7	Carry handles
3	Menu buttons	8	Safety cable pass-through
4	Condensation valve	9	Cover release latches
5	USB-C port	10	Indicator lights



#	Name	#	Name
11	Angle adjustment screws (x3)	15	Ethernet ports
12	Power out	16	Barndoors
13	DMX out	17	DMX in
14	Filter release latch	18	Power in

Product Dimensions



3. Setup

AC Power

The COLORado Solo Edge 3 has an auto-ranging power supply and it can work with an input voltage range of 100 to 240 VAC, 50/60 Hz.

To determine the product's power requirements (circuit breaker, power outlet, and wiring), use the current value listed on the label affixed to the product's back panel, or refer to the product's specifications chart. The listed current rating indicates the product's average current draw under normal conditions.



- **Always connect the product to a protected circuit (a circuit breaker or fuse). Ensure the product has an appropriate electrical ground to avoid the risk of electrocution or fire.**
- **To eliminate unnecessary wear and improve its lifespan, during periods of non-use completely disconnect the product from power via breaker or by unplugging it.**



Never connect the product to a rheostat (variable resistor) or dimmer circuit, even if the rheostat or dimmer channel serves only as a 0 to 100% switch.

AC Plug

The COLORado Solo Edge 3 comes with a power input cable terminated with a Seetronic Powerkon A connector on one end and an Edison plug on the other end (U.S. market). If the power cable which came with the product has no plug, or if it is necessary to change the plug, use the table below to wire a plug.

Connection	Wire (U.S.)	Wire (Europe)	Screw Color
AC Live	Black	Brown	Yellow or Brass
AC Neutral	White	Blue	Silver
AC Ground	Green/Yellow	Green/Yellow	Green

Power Linking

It is possible to power link COLORado Solo Edge 3 products. See the table below for the current draw at each voltage and frequency:

	100 V, 60 Hz	120 V, 60 Hz	208 V, 60 Hz	230 V, 50 Hz	240 V, 50 Hz
Current Draw	2.46 A	2.03 A	1.18 A	1.06 A	1.02 A

Never exceed 12 A on a single circuit. Power-linking cables can be purchased separately.

Signal Connections

The COLORado Solo Edge 3 can receive a DMX, Art-Net™, or sACN signal. The product has 2 Seetronic Etherkon-compatible through ports and 5-pin DMX in and out ports. If using other compatible products with this product, it is possible to control each individually with a single controller.

Control Personalities

The COLORado Solo Edge 3 uses a 5-pin DMX data connection, Art-Net™, or sACN for its 32 control personalities, ranging from **5** to **69** channels in 1-, 2-, or 4-cell modes.

- Refer to the [Operation](#) chapter to learn how to configure the COLORado Solo Edge 3 to work in these personalities.
- The [Control Configuration](#) section provides detailed information regarding the control personalities.



If the user is not familiar with or need more information about DMX standards or the DMX cables needed to link this product to a DMX controller, download the DMX Primer from the Chauvet website: www.chauvetprofessional.com.

Art-Net™ Connection

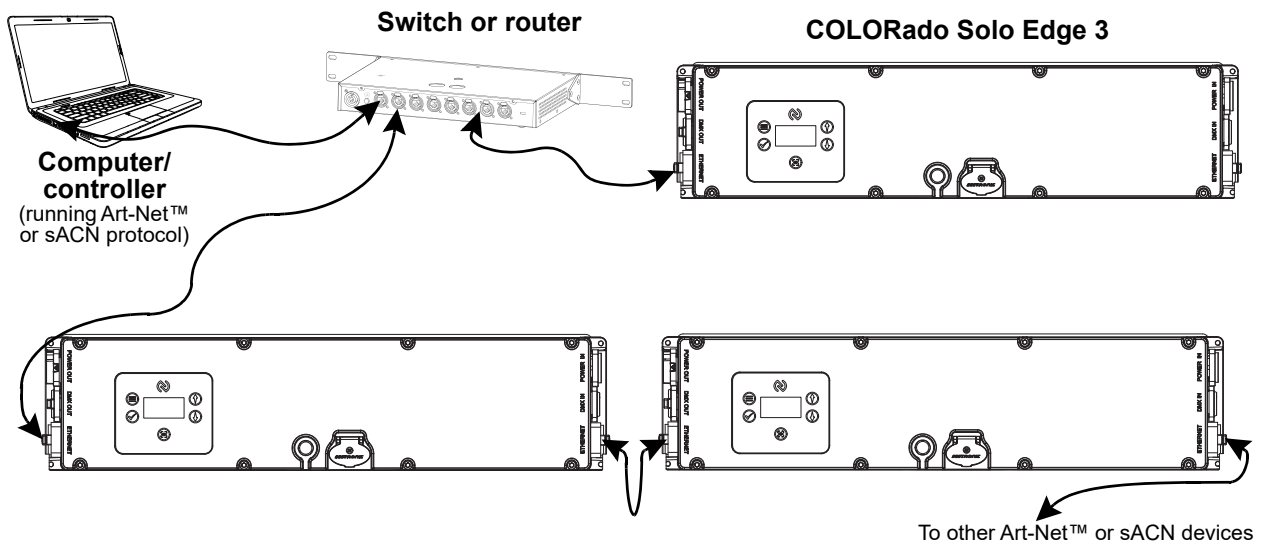
Art-Net™ is an Ethernet protocol that uses TCP/IP which transfers a large amount of DMX512 data using an ethernet connection over a large network. An Art-Net™ protocol document is available from www.chauvetprofessional.com.

Art-Net™ designed by and copyright Artistic Licence Holdings Ltd.

sACN Connection

Also known as ANSI E1.31, streaming ACN is an Ethernet protocol that uses the layering and formatting of Architecture for Control Networks to transport DMX512 data over IP or any other ACN compatible network.

Ethernet Connection Diagram



The three LED indicators in between the Ethernet through ports indicate a connection to a network and activity on that network. They do not indicate whether or not the Maverick Force s Profile is receiving a signal from a controller.

DMX Linking

The COLORado Solo Edge 3 can be linked to a DMX controller using a 3- or 5-pin DMX connection. If using other DMX-compatible products with this product, it's possible to control each individually with a single DMX controller.

DMX Personalities

The COLORado Solo Edge 3 uses a 3- or 5-pin DMX data connection for its 32 DMX personalities, ranging from **5** to **69**.

- Refer to the [Operation](#) chapter to learn how to configure the COLORado Solo Edge 3 to work in these personalities.
- The [DMX Channel Assignments and Values](#) section provides detailed information regarding the DMX personalities.



For information about DMX standards, Master/Slave connectivity, or the DMX cables needed to link this product to a DMX controller, download the DMX Primer from the Chauvet website: www.chauvetprofessional.com.

Master/Slave Connectivity

The Master/Slave mode allows an COLORado Solo Edge 3 (the master) to control one or more COLORado Solo Edge 3 products (the slaves) without a DMX controller. One COLORado Solo Edge 3 becomes the master when running an auto program or in Static mode.

Each slave's control panel must be configured to operate in Slave mode. During Master/Slave operation, the slaves will operate in unison with the master.



DO NOT connect a DMX controller to products operating in Master/Slave mode. The DMX controller signals may interfere with the signals from the master.



- The [Operation](#) section of this manual provides detailed instructions on how to configure the master and slaves.
- For more information about DMX standards or the DMX cables needed to link this product to a DMX controller, download the DMX primer from the Chauvet website: www.chauvetprofessional.com.

USB Software Update

The COLORado Solo Edge 3 allows for software updates with a USB device using the built-in USB port. To update the software using a USB flash drive:

1. Power on the product, and plug the flash drive into the USB port.
2. Go to the **Info&Updating** main level in the main menu.
3. Select the **Update Firmware** option.
4. Select from **Only This Unit**, **Multiple Fixture**, **Other Fixture Type**, or **Fixture to Fixture**. A list of the updated software files will be displayed.
5. Select the file that needs to be uploaded. The message "**Are you sure?**" will be displayed. Press **<ENTER>**.



If the selected file is incorrect, the upgrade will fail, and the display will go back to the main interface. Repeat steps 1–3 using the correct file.

6. If the selected file is correct, the upgrade will start. **DO NOT** turn off the power or disconnect the USB during the process. USB update can take several minutes to complete.
7. When the update is completed, the fixture will automatically reboot.
8. Go to Fixture Information on the product's menu map and confirm the firmware revision.
9. When the boot-up process is finished, restart the product.



- Place the .chl file in the root directory of the USB drive.
- The product's USB port supports up to 32GB capacity and only works with FAT32 file format.



Turning off the power, removing the USB, or not setting the fixture to the correct protocol during the update can cause partial or total firmware failure in the targeted fixture(s). Please refer to [Force Upload](#) section to fix firmware failure issues.

Force Upload

A Force Upload is done whenever a software update fails due to accidental removal of the USB flash drive, incorrect control protocol, or loss of power during a regular software update process.



- **A Force Upload process requires a target fixture (the fixture that needs a Force Upload and a main fixture (the fixture that controls the upload process).**
- **The Force Upload process can only be done one target fixture at a time.**

To do a Force Upload, follow the instructions below:

1. Link the target fixture to the main fixture via a DMX 5-pin connection. Ensure that the target fixture is turned off.
2. Turn on the main fixture and set its protocol to **DMX512**.
3. Plug the flash drive into the USB-C port of the main fixture.
4. Go to **Upgrade Firmware** on the menu map.
5. Choose between **Multiple Fixture** and **Other Fixture Type**. Press **<ENTER>**.
 - **Multiple Fixture:** Both the target fixture and main fixture are from the same product line (e.g., 2 COLORado Solo Edge 3 fixtures).
 - **Other Fixture Type:** The target fixture and main fixture are from different product series (e.g., a COLORado Solo Edge 3 as the target fixture and a Maverick Silens 2 Profile as the main fixture).
6. Select the file that needs to be uploaded. The message **"Are you sure?"** will appear on the screen. Press **<ENTER>**. Turn on the target fixture within 1–2 seconds of pressing **<ENTER>**. The display on the target fixture should remain off.
 - a. The main fixture will show the update progress (0–100%).
 - b. The target fixture's display will turn on, and a notification **"<UPDATE>"** will appear on the screen.



The timing of when the target fixture's display will turn on varies from fixture to fixture.

7. DO NOT turn off power or remove the USB flash drive. Once the software is done uploading, the target fixture will automatically reboot.
8. Go to the target fixture's main menu and confirm that the firmware version has been updated.
9. Reboot the target fixture.

Setup

Mounting

Before mounting the product, read and follow the safety recommendations indicated in the [Safety Notes](#).

Orientation

Always mount this product in a safe position, making sure there is adequate room for ventilation, configuration, and maintenance.

Rigging

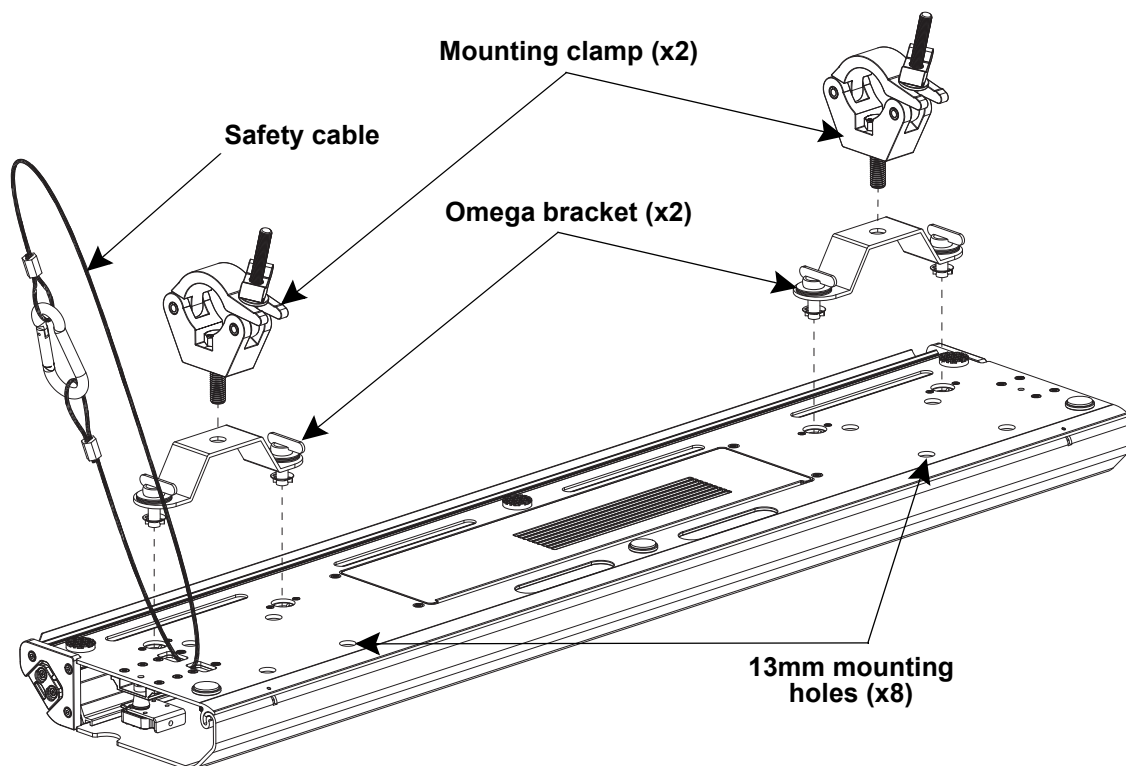
Chauvet recommends using the following general guidelines when mounting this product.

- Before deciding on a location for the product, make sure there is easy access to the product for maintenance and programming purposes.
- Make sure that the structure and attachment points can support the weight before hanging the product (see the [Technical Specifications](#) for weight information).
- When mounting the product overhead, always use a safety cable. Mount the product securely to a rigging point, whether an elevated platform or a truss.
- When rigging the product onto a truss, use a mounting clamp of appropriate weight capacity.
- When power linking multiple products, mount the products close enough for power-linking cables to reach.
- Additional 13mm mounting holes allow for secure surface mounting.

Procedure

The COLORado Solo Edge 3 comes with two Omega brackets. The user can directly attach mounting clamps (sold separately) to these Omega brackets. Make sure the clamps are capable of supporting the weight of this product. For the Chauvet Professional line of mounting clamps, go to <http://www.trusst.com/products>.

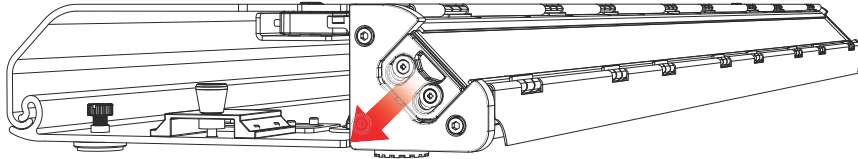
Mounting Diagram



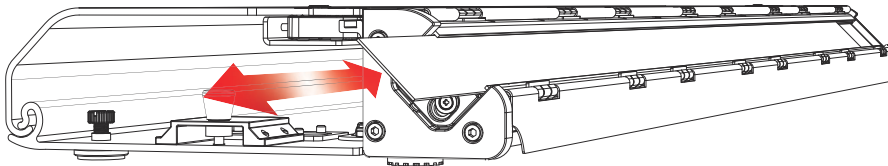
Stealth Filter

The COLORado Solo Edge 3 comes with a stealth filter installed in a slot above the light source. The stealth filter is kept in place with a spring-loaded filter release latch. To access the filter slot:

1. Press and hold down the filter release latch.



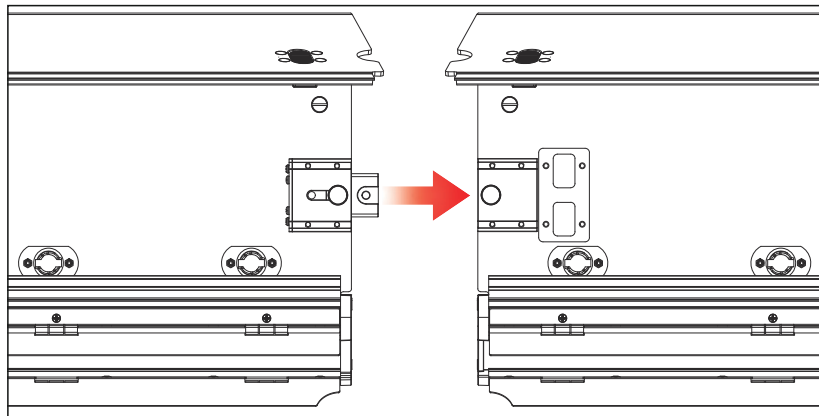
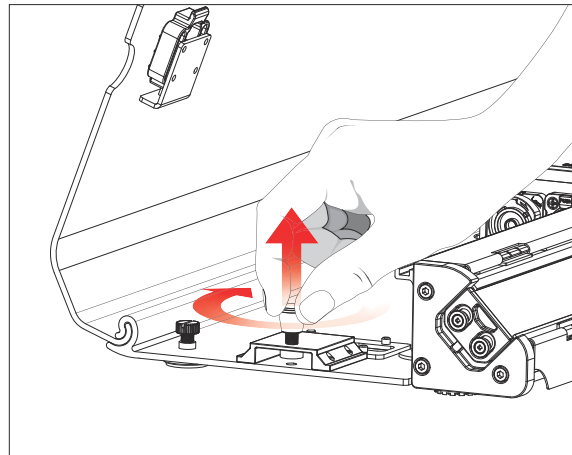
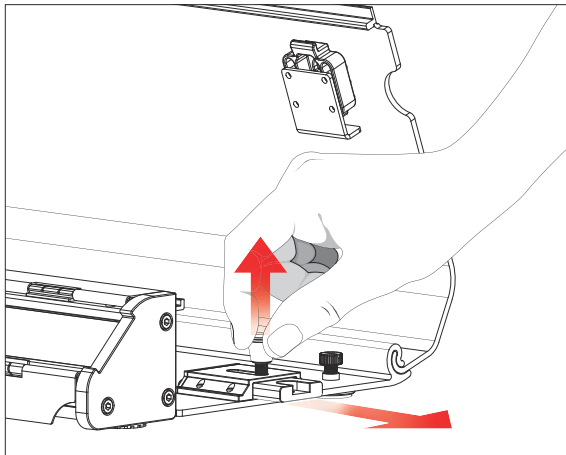
2. Slide the stealth filter in or out.



3. Allow the filter release latch to spring back into position.






Connecting Multiple Fixtures

1. Pull up the spring-loaded locking pin to release the integrated connecting stud.
2. On the second product, pull up the locking pin above the connecting socket and twist it clockwise a quarter turn to secure it in a retracted position.
3. Insert the connecting stud of the first product into the socket of the second product.
4. Release the locking pin on the second product by twisting it counterclockwise. Make sure the locking pin above the connecting socket passes through the hole in the connecting stud.
5. Repeat steps 1-3 for remaining products



4. Operation

Control Panel Description

Button	Name	Function
	<Menu>	Exits the current menu or function
	<Enter>	Enables the currently displayed menu or sets a selected value into a function
	<Up>	Navigates upwards through the menu or increases the numeric value of a function
	<Down>	Navigates downwards through the menu or decreases the numeric value of a function
	<Focus Mode>	Activates or deactivates Focus Mode: full output power for easy focusing. Does not change other settings.

Control Options

Set the COLORado Solo Edge 3 starting address in the **001-444** DMX range. This enables control of up to 7 products in the **69 Ch (4 Cell)** personality.

Programming

Refer to the menu map to understand the menu options. The menu map shows the main menu and a variable number of programming levels for each option.

- To access the main menu, press **<MENU>**.
- To navigate to the desired option in the main menu, press **<MENU>** repeatedly until the option is indicated, or use **<UP>** or **<DOWN>** to navigate directly.
- Press **<ENTER>** to select the indicated option.
- Use **<UP>** or **<DOWN>** to navigate within a programming level until the desired option is indicated.
- To return to the main menu, press **<MENU>** repeatedly until it shows on the display.
- Press and hold **<MENU>** to return to the home screen.

Control options can also be accessed through the [Web Server](#).

Battery Powered Display

The COLORado Solo Edge 3 has a battery powered display which enables access to the menu when the product is powered off. Press and hold **<MENU>** until the display activates (approximately 15 seconds).

Control Panel Lock

The setting locks or unlocks the control panel.

1. Go to the **Other Settings** main level.
2. Select the **Key Lock** option.
3. Select **On** (control panel stays unlocked) or **Off** (locks control panel).



When the control panel lock is activated, the product will prompt for the passcode in order to access the menu. Enter the passcode as described below.

Passcode

After being prompted to enter the passcode, enter **<UP>**, **<DOWN>**, **<UP>**, **<DOWN>**, **<ENTER>**.

Menu Map

Refer to the COLORado Solo Edge 3 product page on www.chauvetprofessional.com for the latest menu map.

Main Menu	Programming Levels		Description
Protocol	DMX512		Sets the control protocol
	Artnet		
	sACN		
DMX Address	Address	001–508*	Selects DMX address (*Highest channel restricted by personality)
DMX Channel	1 Cell	CCT 6ch	1-cell, 6-channel: dimmer, color temperature, tint, control, indicator dimmer, color
		HSV 6ch	1-cell, 6-channel: hue, sat., value, control, indicator dimmer, color
		RGB 5ch	1-cell, 5-channel: RGB, indicator dimmer, color
		RGBW 6ch	1-cell, 6-channel: RGBW, indicator dimmer, color
		RGBWL 7ch	1-cell, 7-channel: RGBW, indicator dimmer, color
		RGBWL 16-bit 12ch	1-cell, 12-channel: 16-bit RGBWL, indicator dimmer, color
		RGB Ext. 12ch	1-cell, 12-channel: dimmer, RGB, color temperature, tint, blend, strobe, virtual color wheel, control, indicator dimmer, color
		RGBW Ext. 13ch	1-cell, 13-channel: dimmer, RGBW, color temperature, tint, blend, strobe, virtual color wheel, control, indicator dimmer, color
		RGBWL Ext. 14ch	1-cell, 14-channel: dimmer, RGBWL, color temperature, tint, blend, strobe, virtual color wheel, control, indicator dimmer, color
		RGBWL Full 21ch	1-cell, 21-channel: 16-bit dimmer, 16-bit RGBWL, 16-bit color temperature, tint, blend, strobe, virtual color wheel, control, indicator dimmer, color
		XY 6ch	1-cell, 6-channel: dimmer, XY, control, indicator dimmer, color
XY Ext. 11ch	1-cell, 11-channel: dimmer, 16-bit XY, strobe, virtual color wheel, control, indicator dimmer, color		

Operation



Main Menu	Programming Levels	Description	
DMX Channel (cont.)	2 Cell	CCT 9ch	2-cell, 9-channel: dimmer, color temperature, tint, control, indicator dimmer, indicator color
		HSV 9ch	2-cell, 9-channel: hue, sat., value, control, indicator dimmer, indicator color
		RGB 8ch	2-cell, 8-channel: RGB, indicator dimmer, indicator color
		RGBW 10ch	2-cell, 10-channel: RGBW, indicator dimmer, indicator color
		RGBWL 12ch	2-cell, 12-channel: RGBWL, indicator dimmer, indicator color
		RGBWL 16-bit 22ch	2-cell, 22-channel: 16-bit RGBWL, indicator dimmer, indicator color
		RGB Ext. 19ch	2-cell, 19-channel: dimmer, RGB, color temperature, tint, blend, master strobe, master virtual color wheel, control, indicator dimmer, indicator color
		RGBW Ext. 21ch	2-cell, 21-channel: dimmer, RGBW, color temperature, tint, blend, master strobe, master virtual color wheel, control, indicator dimmer, indicator color
		RGBWL Ext. 23ch	2-cell, 23-channel: dimmer, RGBWL, color temperature, tint, blend, master strobe, master virtual color wheel, control, indicator dimmer, indicator color
	RGBWL Full 37ch	2-cell, 37-channel: 16-bit dimmer, 16-bit RGBWL, 16-bit color temperature, tint, blend, master strobe, master virtual color wheel, control, indicator dimmer, indicator color	
	4 Cell	CCT 15ch	4-cell, 15-channel: dimmer, color temperature, tint, control, indicator dimmer, indicator color
		HSV 15ch	4-cell, 15-channel: hue, sat., value, control, indicator dimmer, indicator color
		RGB 14ch	4-cell, 14-channel: RGB, indicator dimmer, indicator color
		RGBW 18ch	4-cell, 18-channel: RGBW, indicator dimmer, indicator color
		RGBWL 22ch	4-cell, 22-channel: RGBWL, indicator dimmer, indicator color
		RGBWL 16-bit 42ch	4-cell, 42-channel: 16-bit RGBWL, indicator dimmer, indicator color
		RGB Ext. 33ch	4-cell, 33-channel: dimmer, RGB, color temperature, tint, blend, master strobe, master virtual color wheel, control, indicator dimmer, indicator color
		RGBW Ext. 37ch	4-cell, 37-channel: dimmer, RGBW, color temperature, tint, blend, master strobe, master virtual color wheel, control, indicator dimmer, indicator color
RGBWL Ext. 41ch		4-cell, 41-channel: dimmer, RGBWL, color temperature, tint, blend, master strobe, master virtual color wheel, control, indicator dimmer, indicator color	
RGBWL Full 69ch	4-cell, 69-channel: 16-bit dimmer, 16-bit RGBWL, 16-bit color temperature, tint, blend, master strobe, master virtual color wheel, control, indicator dimmer, color		

Main Menu	Programming Levels		Description
Static	Fixed Colors	Red	Red
		Green	Green
		Blue	Blue
		Warm White	White
		Lime	Lime
		RB	Red and blue
		GB	Green and blue
		RG	Red and green
		RGB	Red, green, and blue
		RGBWw	Red, green, blue, and white
		RGBL	Red, green, blue, and lime
		RGBWwL	Red, green, blue, white, and lime
		Manual Color Mixer	Red
Green			
Blue			
Warm White			
Color Temperature	Lime	<000–255>	Preset white color temperatures. Emulates a tungsten lamp at the specified color temperature. Refer to the Color Temperature Chart for specific values.
	2800K		
	3000K		
	3200K		
	3500K		
	4000K		
	4500K		
	5000K		
	5600K		
	6000K		
	6500K		
7000K			
7500K			
8000K			
Auto Show	Auto 1–3	<001–100>	Selects automatic programs and auto program speed

Main Menu	Programming Levels		Description		
Static (cont.)	Virtual Color Wheel	C3050 - Md Yellow	Dimmer <000–255> Virtual Color Wheel simulates the output of each gel color. Refer to the Virtual Color Wheel Chart for specific values.		
		C3040 - Lt Yellow			
		C3240 - Amb Yellow			
		C2340 - VLt Amber			
		C2040 - Lt Amber			
		C2050 - Md Amber			
		C2060 - Dk Amber			
		C1050 - Lt Red			
		C1080 - Md Red			
		C1020 - NC Pink			
		C1030 - Md Pink			
		C1630 - Dk Pink			
		C1250 - Md Red Amber			
		C1060 - Dk Red Amber			
		C1650 - Magenta			
		C6170 - Dk Magenta			
		C6020 - Lt Lavender			
		C5030 - Lt Blue			
		C5020 - VLt Blue			
		C5430 - Lt Blue 2			
		C5070 - Blue			
		C5050 - Md Blue			
		C5060 - Dk Blue			
		C5690 - Indigo			
		C5080 - VDk Blue			
		C5081 - VDk Blue 2			
		C4370 - Yel Green			
		C4070 - Green			
		C4550 - Turquoise			
		C4560 - Aqua			
		C4570 - Blue Green			
		Color X- Fade Speed		Off	Disables fade transition between colors
				X-Fade Speed 1	Enables fade transition between colors in the Virtual Color Wheel menu, from fast (X-Fade Speed 1) to slow (X-Fade Speed 4)
X-Fade Speed 2					
X-Fade Speed 3					
X-Fade Speed 4					
Master/ Slave	Master	Standalone mode			
	Slave	Slave mode			

Main Menu	Programming Levels		Description
Ethernet Settings	IP Mode	Manual	Manually set IP address
		DHCP	Network sets IP address
		Static	Product sets IP address
	Universe	00000–32767 (Art-net™)	Sets the Art-Net™ or sACN universe
		00001–31999 (sACN)	
	Start Channel	001–512	Sets the starting channel
	IP Address	---'---'---	Sets each IP address digit from 000–255
Subnet Mask	---'---'		
Ethernet To DMX	<No >	Enables/disables Ethernet to DMX	
	<Yes>		
Cell Order	1 > 4	Sets the cell order	
	4 > 1		
Color Calibration	User Calibration	Off	Color calibration off
		Red	Sets maximum red LED value
		Green	Sets maximum green LED value
		Blue	Sets maximum blue LED value
		Warm White	Sets maximum white LED value
		Lime	Sets maximum lime LED value
Factory Calibration		Color calibration set by factory	
Red Shift	On	Enables or disables red shift	
	Off		
Dimmer Curve	S-Curve	Sets the dimmer curve	
	Linear		
	Square		
	Inverse Square		
Dimmer Mode	Off	Instantaneous dimmer	
	Dimmer 1–3	Dimmer mode, fast (1) to slow (3)	
Display Back Light	10S	Turns off display backlight after 10 seconds of inactivity	
	30S	Turns off display backlight after 30 seconds	
	2Min	Turns off display backlight after 2 minutes	
	Always On	Display backlight always on	
Display Invert	Auto	Sets display orientation automatically	
	No	Does not invert the display	
	Yes	Inverts the display	
LED Frequency	1000Hz	Sets the Pulse Width Modulation frequency	
	2000Hz		
	4000Hz		
	6000Hz		
	25KHz		
Key Lock	On	Locks display (password: <UP>, <DOWN>, <UP>, <DOWN>, <ENTER>)	
	Off		

Main Menu	Programming Levels		Description	
Info & Updating	Information	Fixture Hours	<_ _ _ _ _H>	Shows total hours the product has been on
		LED Hours	<_ _ _ _ _H>	Shows total hours the LEDs have been on
		Disp Ver	<V1.1.3>	Shows current display firmware version
		Drv Ver	<V1.1.3>	Shows current driver firmware version
		UID	21A40 _ _ _ _ _	Shows product UID
	Temperature	DISP:	_ _ °C	Shows display temperature in °C
		LED1-16:	_ _ °C	Shows LED temperatures 1-4 in °C
	Update Firmware	Only This Fixture	_ _ _ _ _ .CHL ...	Selects an update file for this product, or shows "No such file!"
		Multiple Fixture	_ _ _ _ _ .CHL ...	Selects an update file for this and connected COLORado Solo Edge 3 products, or shows "No such file!"
		Other Fixture Type	_ _ _ _ _ .CHL ...	Selects an update file for other connected products, or shows "No such file!"
		Fixture To Fixture	make sure no other signal, Network or DMX controller is being sent! and press enter key to start update	Downloads update file from another COLORado Solo Edge 3 Driver via DMX.
	Clock Setting	2000-2099/01-12/01-31 00-24/01-59/01-59 Save&ESC	Sets the year, month, day, hour, minute, and second	
	Current Time	_ _ _ / _ / _ _ : _ : _	Displays the current date and time	
	Factory Reset	No		Resets the product to factory default settings
Yes				



- The "Other Fixture Type" option under Upgrade Firmware can only be selected for connected products compatible with the Upload 03 (the first 2 digits of the item code must be 03).
- The "Fixture to Fixture" option under Upgrade Firmware can only be selected for connected COLORado Solo Edge 3 products.

Control Configuration

Use control configurations to operate the product with a DMX, Art-Net™, or sACN controller.

Control Mode

The COLORado Solo Edge 3 works with DMX, Art-Net™, and sACN control signals. To select the protocol:

1. Go to the **Protocol** main level.
2. Select the desired protocol, from **DMX512**, **ArtNet**, or **sACN**.



See the [Ethernet Settings](#) section for further setup of ethernet protocols (Art-Net™ or sACN).

Control Personalities

To set the control personality:

1. Go to the **DMX Channel** main level.
2. Select from **1 Cell**, **2 Cell**, or **4 Cell**.
3. Select the personality from the table below.

1 Cell	2 Cell	4 Cell
CCT 6ch	CCT 9ch	CCT 15ch
HSV 6ch	HSV 9ch	HSV 15ch
RGB 5ch	RGB 8ch	RGB 14ch
RGBW 6ch	RGBW 10ch	RGBW 18ch
RGBWL 7ch	RGBWL 12ch	RGBWL 22ch
RGBWL 16-bit 12ch	RGBWL 16-bit 22ch	RGBWL 16-bit 42ch
RGB Ext. 12ch	RGB Ext. 19ch	RGB Ext. 33ch
RGBW Ext. 13ch	RGBW Ext. 21ch	RGBW Ext. 37ch
RGBWL Ext. 14ch	RGBWL Ext. 23ch	RGBWL Ext. 41ch
RGBWL Full 21ch	RGBWL Full 37ch	RGBWL Full 69ch
XY 6ch		
XY Ext. 11ch		



- See the [Starting Address](#) section for the highest selectable starting address for each personality.
- Make sure that the starting addresses on the various products do not overlap.

Operation

Starting Address

Each product will respond to a unique starting address from the controller. All products with the same starting address will respond in unison. To set the starting address in DMX mode:

1. Go to the **DMX Address** main level.
2. Select the starting address (**001–508**).

	Personality	Highest Address	Products per Universe		Personality	Highest Address	Products per Universe	
1 Cell	CCT 6ch	507	85	4 Cell	CCT 15ch	498	34	
	HSV 6ch	507	85		HSV 15ch	498	34	
	RGB 5ch	508	102		RGB 14ch	499	36	
	RGBW 6ch	507	85		RGBW 18ch	495	28	
	RGBWL 7ch	506	73		RGBWL 22ch	491	23	
	RGBWL 16-bit 12ch	501	42		RGBWL 16-bit 42ch	471	12	
	RGB Ext. 12ch	501	42		RGB Ext. 33ch	480	16	
	RGBW Ext. 13ch	499	39		RGBW Ext. 37ch	476	13	
	RGBWL Ext. 14ch	498	36		RGBWL Ext. 41ch	472	12	
	RGBWL Full 21ch	492	24		RGBWL Full 69ch	444	7	
	XY 6ch	507	85					
	XY Ext. 11ch	502	46					
2 Cell	CCT 9ch	504	57					
	HSV 9ch	504	57					
	RGB 8ch	505	64					
	RGBW 10ch	503	51					
	RGBWL 12ch	501	42					
	RGBWL 16-bit 22ch	491	23					
	RGB Ext. 19ch	494	27					
	RGBW Ext. 21ch	492	24					
RGBWL Ext. 23ch	490	22						
RGBWL Full 37ch	476	13						

Ethernet Settings

The Ethernet Settings control the universe, start address (Art-Net™ or sACN), IP address, and ethernet conversion functions of the product.

IP Mode

It is possible to set the IP address of the COLORado Solo Edge 3 manually, by the network, or to a preset static address specific to each product. To set the IP mode, follow the instructions below:

1. Go to the **Ethernet Setting** main level.
2. Select the **IP Mode** option.
3. Select the desired IP mode, from **Manual** (set the IP address with the control panel), **DHCP** (the network sets the IP address), or **Static** (a preset address specific to each product).

Universe

To assign an Art-Net™ or sACN universe to the COLORado Solo Edge 3:

1. Go to the **Ethernet Setting** main level.
2. Select the **Universe** option.
3. Set the universe, from **000–255** (for Art-Net™) or from **001–256** (for sACN).

Start Channel

Each product will respond to a unique starting address from the controller. All products with the same starting address will respond in unison. To set the starting address in Art-Net™ or sACN mode:

1. Go to the **Ethernet Setting** main level.
2. Select the **Start Channel** option.
3. Select the starting address (**001–512**)



- See the [Starting Address](#) section for the highest selectable starting address for each personality.
- Make sure that the starting addresses on the various products do not overlap due to the new personality setting.

IP Address

To set the IP address:

1. Go to the **Ethernet Setting** main level.
2. Select the **IP Address** option.
3. Set the first value of the IP address from **000–255**.
4. Press **<ENTER>** to cycle through the 4 values of the IP address.
5. Set the other 3 values from **000–255**.
6. Press **<MENU>** to exit when the IP address is set as desired.

Subnet Mask

To set the subnet mask:

1. Go to the **Setup** main level.
2. Select the **Network Setting** option.
3. Select the **SubMask** option.
4. Set the 4 values of the subnet mask from **000–255**.

Ethernet to DMX

When Ethernet to DMX is active, the selected universe of the Art-Net™ or sACN signal will be converted to DMX and output through the 5-pin DMX out port.

1. Go to the **Ethernet Setting** main level.
2. Select the **Ethernet To DMX** option.
3. Select from **No** (do not convert) or **Yes** (convert).

Operation

Virtual Color Wheel

The COLORado Solo Edge 3 includes a feature called the Virtual Color Wheel (VCW). This feature is available as a standalone control mode for manual use and as a control channel in select DMX personalities. More than 30 premixed colors, custom blended by Chauvet engineers, are available to call up for easier programming.

Virtual Color Wheel Chart

DMX Value	Display Readout	Red	Green	Blue	White	Lime
000 ⇄ 005	--	--	--	--	--	--
006 ⇄ 013	C3050–Md Yellow	255	225	000	255	000
014 ⇄ 021	C3040–Lt Yellow	255	235	006	255	000
022 ⇄ 028	C3240–Amb Yellow	255	230	000	255	000
029 ⇄ 035	C2340–VLt Amber	255	119	015	255	000
036 ⇄ 043	C2040–Lt Amber	255	060	006	255	039
044 ⇄ 051	C2050–Md Amber	255	102	000	255	000
052 ⇄ 059	C2060–Dk Amber	255	056	000	255	000
060 ⇄ 067	C1050–Lt Red	255	000	001	005	003
068 ⇄ 075	C1080–Md Red	255	000	002	000	000
076 ⇄ 083	C1020–NC Pink	220	010	019	000	255
084 ⇄ 091	C1030–Md Pink	255	000	023	000	176
092 ⇄ 099	C1630–Dk Pink	232	018	023	000	255
100 ⇄ 107	C1250–Md Red Amber	255	000	000	013	018
108 ⇄ 115	C1060–Dk Red Amber	255	000	005	000	008
116 ⇄ 121	C1650–Magenta	255	000	027	000	055
122 ⇄ 130	C6170–Dk Magenta	255	000	064	000	000
131 ⇄ 138	C6020–Lt Lavender	255	190	064	000	255
139 ⇄ 146	C5030–Lt Blue	030	255	099	030	028
147 ⇄ 154	C5020–VLt Blue	038	255	103	044	094
155 ⇄ 162	C5430–Lt Blue2	022	255	075	026	030
163 ⇄ 170	C5070–Blue	015	255	165	000	000
171 ⇄ 178	C5050–Md Blue	055	255	122	000	000
179 ⇄ 186	C5060–Dk Blue	040	255	169	000	000
187 ⇄ 194	C5690–Indigo	040	000	255	006	000
195 ⇄ 202	C5080–VDk Blue	000	230	255	006	000
203 ⇄ 210	C5081–VDk Blue2	000	178	255	010	000
211 ⇄ 218	C4370–Yel Green	006	255	004	010	000
219 ⇄ 226	C4070–Green	039	255	007	012	000
227 ⇄ 234	C4550–Turquoise	090	255	024	000	000
235 ⇄ 242	C4560–Aqua	070	255	028	000	006
243 ⇄ 250	C4570–Blue Green	000	255	026	000	005
251 ⇄ 255	--	--	--	--	--	--



The colors above are simulated renditions of the color output produced compared with other similar incandescent products. Chauvet makes no guarantee of the color output accuracy.

Color Temperature Chart

DMX Value	Temperature	R	G	B	W	L	DMX Value	Temperature	R	G	B	W	L
000 ⇔ 005	No function						160	5000K	169	185	105	245	155
006	2800K	240	030	005	245	110	161 ⇔ 201	5001–5599K					
007 ⇔ 019	2801–2999K						202	5600K	135	210	119	245	135
020	3000K	240	040	015	245	132	203 ⇔ 215	5601–5999K					
021 ⇔ 033	3001–3199K						216	6000K	120	221	129	245	125
034	3200K	245	009	045	255	173	217 ⇔ 222	6001–6499K					
035 ⇔ 054	3201–3499K						223	6500K	097	235	129	245	095
055	3500K	231	077	043	245	164	224 ⇔ 229	6501–6999K					
056 ⇔ 089	3501–3999K						230	7000K	085	250	137	245	084
090	4000K	204	113	065	245	164	231 ⇔ 236	7001–7499K					
091 ⇔ 124	4001–4499K						237	7500K	075	250	135	226	070
125	4500K	183	145	087	245	164	238 ⇔ 243	7501–7999K					
126 ⇔ 159	4501–4999K						244 ⇔ 255	8000K	072	255	140	210	069



The color temperatures above are simulated renditions of the color output produced compared with a tungsten lamp at the specified color temperature. Chauvet makes no guarantee of the color output accuracy.

DMX Channel Assignments and Values

Control Chart

Value	Percent/Setting	Value	Percent/Setting
000 ⇔ 009	No function	100 ⇔ 104	White calibration, factory
010 ⇔ 014	Reset dimmer	105 ⇔ 129	Reserved for future use
015 ⇔ 024	Reserved for future use	130 ⇔ 134	PWM frequency 1000 Hz
025 ⇔ 029	S-curve dimmer	135 ⇔ 139	PWM frequency 2000 Hz
030 ⇔ 034	Linear dimmer	140 ⇔ 144	PWM frequency 4000 Hz
035 ⇔ 039	Square dimmer	145 ⇔ 149	PWM frequency 6000 Hz
040 ⇔ 044	Inverse square dimmer	150 ⇔ 154	PWM frequency 25 KHz
045 ⇔ 049	Dimmer mode off	155 ⇔ 159	PWM frequency 64 KHz
050 ⇔ 054	Dimmer mode 1 (fast)	160 ⇔ 164	Cell order 1>4
055 ⇔ 059	Dimmer mode 2	165 ⇔ 169	Cell order 4>1
060 ⇔ 064	Dimmer mode 3 (slow)	170 ⇔ 174	Do not invert display
065 ⇔ 069	X-Fade speed off	175 ⇔ 179	Invert display
070 ⇔ 074	X-Fade speed 1	180 ⇔ 184	Key lock on
075 ⇔ 079	X-Fade speed 2	185 ⇔ 189	Key lock off
080 ⇔ 089	X-Fade speed 3	190 ⇔ 194	Red shift on
090 ⇔ 094	White calibration off	195 ⇔ 199	Red shift off
095 ⇔ 099	White calibration, manual	200 ⇔ 255	Reserved for future use

Indicator Color Chart

Value	Percent/Setting	Value	Percent/Setting
000 ⇔ 005	No function	026 ⇔ 030	Purple
006 ⇔ 010	Red	031 ⇔ 035	Cyan
011 ⇔ 015	Green	036 ⇔ 040	White
016 ⇔ 020	Blue	041 ⇔ 255	No function
021 ⇔ 025	Yellow		

Operation

Strobe Chart

Value	Percent/Setting	Value	Percent/Setting
000 ⇔ 009	No function	145 ⇔ 149	No function
010 ⇔ 084	Strobe, slow to fast	150 ⇔ 199	Random strobe all, slow to fast
085 ⇔ 094	No function	200 ⇔ 204	No function
095 ⇔ 144	Lightning effect, slow to fast	205 ⇔ 255	Random strobe cells, slow to fast

4 Cell Personalities

RGB 14ch - RGBWL Full 69ch

69: RGBWL Full 69ch, 41: RGBWL Ext. 41ch, 37: RGBW Ext. 37ch, 33: RGB Ext. 33ch, 42: RGBWL 16-bit 42ch, 22: RGBWL 22ch, 18: RGBW 18ch, 14: RGB 14ch

14	18	22	42	33	37	41	69	Function	Value	Percent/Setting
-	-	-	-	1	1	1	1	Dimmer 1	000 ⇔ 255	0–100%
-	-	-	-	-	-	-	2	Fine dimmer 1	000 ⇔ 255	0–100%
1	1	1	1	2	2	2	3	Red 1	000 ⇔ 255	0–100%
-	-	-	2	-	-	-	4	Fine red 1	000 ⇔ 255	0–100%
2	2	2	3	3	3	3	5	Green 1	000 ⇔ 255	0–100%
-	-	-	4	-	-	-	6	Fine green 1	000 ⇔ 255	0–100%
3	3	3	5	4	4	4	7	Blue 1	000 ⇔ 255	0–100%
-	-	-	6	-	-	-	8	Fine blue 1	000 ⇔ 255	0–100%
-	4	4	7	-	5	5	9	White 1	000 ⇔ 255	0–100%
-	-	-	8	-	-	-	10	Fine white 1	000 ⇔ 255	0–100%
-	-	5	9	-	-	6	11	Lime 1	000 ⇔ 255	0–100%
-	-	-	10	-	-	-	12	Fine lime 1	000 ⇔ 255	0–100%
-	-	-	-	5	6	7	13	Color temperature 1	000 ⇔ 255	See the Color Temperature Chart
-	-	-	-	-	-	-	14	Fine color temp. 1	000 ⇔ 255	Fine CCT adjust
-	-	-	-	6	7	8	15	Tint 1 (default to 128)	000 ⇔ 255	-25–+25% green
-	-	-	-	7	8	9	16	Blend CCT with RGBWwL mix 1 (default to 255)	000 100% color temperature control 001 ⇔ 126 99–51% CCT, 1–49% RGBWwL 127 ⇔ 128 50% CCT, 50% RGBWwL mix 129 ⇔ 254 49–1% CCT, 51–99% RGBWwL 255 100% RGBWwL mix	
-	-	-	-	8	9	10	17	Dimmer 2	000 ⇔ 255	0–100%
-	-	-	-	-	-	-	18	Fine dimmer 2	000 ⇔ 255	0–100%
4	5	6	11	9	10	11	19	Red 2	000 ⇔ 255	0–100%
-	-	-	12	-	-	-	20	Fine red 2	000 ⇔ 255	0–100%
5	6	7	13	10	11	12	21	Green 2	000 ⇔ 255	0–100%
-	-	-	14	-	-	-	22	Fine green 2	000 ⇔ 255	0–100%
6	7	8	15	11	12	13	23	Blue 2	000 ⇔ 255	0–100%
-	-	-	16	-	-	-	24	Fine blue 2	000 ⇔ 255	0–100%
-	8	9	17	-	13	14	25	White 2	000 ⇔ 255	0–100%
-	-	-	18	-	-	-	26	Fine white 2	000 ⇔ 255	0–100%
-	-	10	19	-	-	15	27	Lime 2	000 ⇔ 255	0–100%
-	-	-	20	-	-	-	28	Fine lime 2	000 ⇔ 255	0–100%
-	-	-	-	12	14	16	29	Color temperature 2	000 ⇔ 255	See the Color Temperature Chart
-	-	-	-	-	-	-	30	Fine color temp. 2	000 ⇔ 255	Fine CCT adjust
-	-	-	-	13	15	17	31	Tint 2 (default to 128)	000 ⇔ 255	-25–+25% green

14	18	22	42	33	37	41	69	Function	Value	Percent/Setting
-	-	-	-	14	16	18	32	Blend CCT with RGBWwL mix 2 (default to 255)	000 001 ⇔ 126 127 ⇔ 128 129 ⇔ 254 255	100% color temperature control 99–51% CCT, 1–49% RGBWwL 50% CCT, 50% RGBWwL mix 49–1% CCT, 51–99% RGBWwL 100% RGBWwL mix
-	-	-	-	15	17	19	33	Dimmer 3	000 ⇔ 255	0–100%
-	-	-	-	-	-	-	34	Fine dimmer 3	000 ⇔ 255	0–100%
7	9	11	21	16	18	20	35	Red 3	000 ⇔ 255	0–100%
-	-	-	22	-	-	-	36	Fine red 3	000 ⇔ 255	0–100%
8	10	12	23	17	19	21	37	Green 3	000 ⇔ 255	0–100%
-	-	-	24	-	-	-	38	Fine green 3	000 ⇔ 255	0–100%
9	11	13	25	18	20	22	39	Blue 3	000 ⇔ 255	0–100%
-	-	-	26	-	-	-	40	Fine blue 3	000 ⇔ 255	0–100%
-	12	14	27	-	21	23	41	White 3	000 ⇔ 255	0–100%
-	-	-	28	-	-	-	42	Fine white 3	000 ⇔ 255	0–100%
-	-	15	29	-	-	24	43	Lime 3	000 ⇔ 255	0–100%
-	-	-	30	-	-	-	44	Fine lime 3	000 ⇔ 255	0–100%
-	-	-	-	19	22	25	45	Color temperature 3	000 ⇔ 255	See the Color Temperature Chart
-	-	-	-	-	-	-	46	Fine color temp. 3	000 ⇔ 255	Fine CCT adjust, warm to cool
-	-	-	-	20	23	26	47	Tint 3 (default to 128)	000 ⇔ 255	-25–+25% green
-	-	-	-	21	24	27	48	Blend CCT with RGBWwL mix 3 (default to 255)	000 001 ⇔ 126 127 ⇔ 128 129 ⇔ 254 255	100% color temperature control 99–51% CCT, 1–49% RGBWwL 50% CCT, 50% RGBWwL mix 49–1% CCT, 51–99% RGBWwL 100% RGBWwL mix
-	-	-	-	22	25	28	49	Dimmer 4	000 ⇔ 255	0–100%
-	-	-	-	-	-	-	50	Fine dimmer 4	000 ⇔ 255	0–100%
10	13	16	31	23	26	29	51	Red 4	000 ⇔ 255	0–100%
-	-	-	32	-	-	-	52	Fine red 4	000 ⇔ 255	0–100%
11	14	17	33	24	27	30	53	Green 4	000 ⇔ 255	0–100%
-	-	-	34	-	-	-	54	Fine green 4	000 ⇔ 255	0–100%
12	15	18	35	25	28	31	55	Blue 4	000 ⇔ 255	0–100%
-	-	-	36	-	-	-	56	Fine blue 4	000 ⇔ 255	0–100%
-	16	19	37	-	29	32	57	White 4	000 ⇔ 255	0–100%
-	-	-	38	-	-	-	58	Fine white 4	000 ⇔ 255	0–100%
-	-	20	39	-	-	33	59	Lime 4	000 ⇔ 255	0–100%
-	-	-	40	-	-	-	60	Fine lime 4	000 ⇔ 255	0–100%
-	-	-	-	26	30	34	61	Color temperature 4	000 ⇔ 255	See the Color Temperature Chart
-	-	-	-	-	-	-	62	Fine color temp. 4	000 ⇔ 255	Fine CCT adjust
-	-	-	-	27	31	35	63	Tint 4 (default to 128)	000 ⇔ 255	-25–+25% green
-	-	-	-	28	32	36	64	Blend CCT with RGBWwL mix 4 (default to 255)	000 001 ⇔ 126 127 ⇔ 128 129 ⇔ 254 255	100% color temperature control 99–51% CCT, 1–49% RGBWwL 50% CCT, 50% RGBWwL mix 49–1% CCT, 51–99% RGBWwL 100% RGBWwL mix
-	-	-	-	29	33	37	65	Strobe	000 ⇔ 255	See the Strobe Chart
-	-	-	-	20	34	38	66	Virtual Color Wheel	000 ⇔ 255	See the Virtual Color Wheel Chart

Operation

14	18	22	42	33	37	41	69	Function	Value	Percent/Setting
-	-	-	-	31	35	39	67	Control	000 ⇔ 255	See the Control Chart
13	17	21	41	32	36	40	68	Indicator Dimmer	000 ⇔ 255	0–100%
14	18	22	42	33	37	41	69	Indicator Color	000 ⇔ 255	See the Indicator Color Chart

HSV 15ch

Channel	Function	Value	Percent/Setting
1	Hue 1	000 ⇔ 255	0–100%
2	Saturation 1	000 ⇔ 255	0–100%
3	Value 1	000 ⇔ 255	0–100%
4	Hue 2	000 ⇔ 255	0–100%
5	Saturation 2	000 ⇔ 255	0–100%
6	Value 2	000 ⇔ 255	0–100%
7	Hue 3	000 ⇔ 255	0–100%
8	Saturation 3	000 ⇔ 255	0–100%
9	Value 3	000 ⇔ 255	0–100%
10	Hue 4	000 ⇔ 255	0–100%
11	Saturation 4	000 ⇔ 255	0–100%
12	Value 4	000 ⇔ 255	0–100%
13	Control	000 ⇔ 255	See the Control Chart
14	Indicator Dimmer	000 ⇔ 255	0–100%
15	Indicator Color	000 ⇔ 255	See the Indicator Color Chart

CCT 15ch

Channel	Function	Value	Percent/Setting
1	Dimmer 1	000 ⇔ 255	0–100%
2	Color temperature 1	000 ⇔ 255	See the Color Temperature Chart
3	Tint 1 (default to 128)	000 ⇔ 255	-25–+25% green
4	Dimmer 2	000 ⇔ 255	0–100%
5	Color temperature 2	000 ⇔ 255	See the Color Temperature Chart
6	Tint 2 (default to 128)	000 ⇔ 255	-25–+25% green
7	Dimmer 3	000 ⇔ 255	0–100%
8	Color temperature 3	000 ⇔ 255	See the Color Temperature Chart
9	Tint 3 (default to 128)	000 ⇔ 255	-25–+25% green
10	Dimmer 4	000 ⇔ 255	0–100%
11	Color temperature 4	000 ⇔ 255	See the Color Temperature Chart
12	Tint 4 (default to 128)	000 ⇔ 255	-25–+25% green
13	Control	000 ⇔ 255	See the Control Chart
14	Indicator Dimmer	000 ⇔ 255	0–100%
15	Indicator Color	000 ⇔ 255	See the Indicator Color Chart

2 Cell Personalities

RGB 8ch - RGBWL Full 37ch

37: RGBWL Full 37ch, 23: RGBWL Ext. 23ch, 21: RGBW Ext. 21ch, 19: RGB Ext. 19ch, 22: RGBWL 16-bit 22ch, 12: RGBWL 12ch, 10: RGBW 10ch, 8: RGB 8ch

8	10	12	22	19	21	23	37	Function	Value	Percent/Setting
-	-	-	-	1	1	1	1	Dimmer 1	000 ⇔ 255	0–100%
-	-	-	-	-	-	-	2	Fine dimmer 1	000 ⇔ 255	0–100%
1	1	1	1	2	2	2	3	Red 1	000 ⇔ 255	0–100%
-	-	-	2	-	-	-	4	Fine red 1	000 ⇔ 255	0–100%
2	2	2	3	3	3	3	5	Green 1	000 ⇔ 255	0–100%
-	-	-	4	-	-	-	6	Fine green 1	000 ⇔ 255	0–100%
3	3	3	5	4	4	4	7	Blue 1	000 ⇔ 255	0–100%
-	-	-	6	-	-	-	8	Fine blue 1	000 ⇔ 255	0–100%
-	4	4	7	-	5	5	9	White 1	000 ⇔ 255	0–100%
-	-	-	8	-	-	-	10	Fine white 1	000 ⇔ 255	0–100%
-	-	5	9	-	-	6	11	Lime 1	000 ⇔ 255	0–100%
-	-	-	10	-	-	-	12	Fine lime 1	000 ⇔ 255	0–100%
-	-	-	-	5	6	7	13	Color temperature 1	000 ⇔ 255	See the Color Temperature Chart
-	-	-	-	-	-	-	14	Fine color temp. 1	000 ⇔ 255	Fine CCT adjust
-	-	-	-	6	7	8	15	Tint 1 (default to 128)	000 ⇔ 255	-25–+25% green
-	-	-	-	7	8	9	16	Blend CCT with RGBWwL mix 1 (default to 255)	000 001 ⇔ 126 127 ⇔ 128 129 ⇔ 254 255	100% color temperature control 99–51% CCT, 1–49% RGBWwL 50% CCT, 50% RGBWwL mix 49–1% CCT, 51–99% RGBWwL 100% RGBWwL mix
-	-	-	-	8	9	10	17	Dimmer 2	000 ⇔ 255	0–100%
-	-	-	-	-	-	-	18	Fine dimmer 2	000 ⇔ 255	0–100%
4	5	6	11	9	10	11	19	Red 2	000 ⇔ 255	0–100%
-	-	-	12	-	-	-	20	Fine red 2	000 ⇔ 255	0–100%
5	6	7	13	10	11	12	21	Green 2	000 ⇔ 255	0–100%
-	-	-	14	-	-	-	22	Fine green 2	000 ⇔ 255	0–100%
6	7	8	15	11	12	13	23	Blue 2	000 ⇔ 255	0–100%
-	-	-	16	-	-	-	24	Fine blue 2	000 ⇔ 255	0–100%
-	8	9	17	-	13	14	25	White 2	000 ⇔ 255	0–100%
-	-	-	18	-	-	-	26	Fine white 2	000 ⇔ 255	0–100%
-	-	10	19	-	-	15	27	Lime 2	000 ⇔ 255	0–100%
-	-	-	20	-	-	-	28	Fine lime 2	000 ⇔ 255	0–100%
-	-	-	-	12	14	16	29	Color temperature 2	000 ⇔ 255	See the Color Temperature Chart
-	-	-	-	-	-	-	30	Fine color temp. 2	000 ⇔ 255	Fine CCT adjust
-	-	-	-	13	15	17	31	Tint 2 (default to 128)	000 ⇔ 255	-25–+25% green
-	-	-	-	14	16	18	32	Blend CCT with RGBWwL mix 2 (default to 255)	000 001 ⇔ 126 127 ⇔ 128 129 ⇔ 254 255	100% color temperature control 99–51% CCT, 1–49% RGBWwL 50% CCT, 50% RGBWwL mix 49–1% CCT, 51–99% RGBWwL 100% RGBWwL mix
-	-	-	-	15	17	19	33	Strobe	000 ⇔ 255	See the Strobe Chart
-	-	-	-	16	18	20	34	Virtual Color Wheel	000 ⇔ 255	See the Virtual Color Wheel Chart
-	-	-	-	17	19	21	35	Control	000 ⇔ 255	See the Control Chart
7	9	11	21	18	20	22	36	Indicator Dimmer	000 ⇔ 255	0–100%
8	10	12	22	19	21	23	37	Indicator Color	000 ⇔ 255	See the Indicator Color Chart

Operation

HSV 9ch

Channel	Function	Value	Percent/Setting
1	Hue 1	000 ⇔ 255	0–100%
2	Saturation 1	000 ⇔ 255	0–100%
3	Value 1	000 ⇔ 255	0–100%
4	Hue 2	000 ⇔ 255	0–100%
5	Saturation 2	000 ⇔ 255	0–100%
6	Value 2	000 ⇔ 255	0–100%
7	Control	000 ⇔ 255	See the Control Chart
8	Indicator Dimmer	000 ⇔ 255	0–100%
9	Indicator Color	000 ⇔ 255	See the Indicator Color Chart

CCT 9ch

Channel	Function	Value	Percent/Setting
1	Dimmer 1	000 ⇔ 255	0–100%
2	Color temperature 1	000 ⇔ 255	See the Color Temperature Chart
3	Tint 1 (default to 128)	000 ⇔ 255	-25–+25% green
4	Dimmer 2	000 ⇔ 255	0–100%
5	Color temperature 2	000 ⇔ 255	See the Color Temperature Chart
6	Tint 2 (default to 128)	000 ⇔ 255	-25–+25% green
7	Control	000 ⇔ 255	See the Control Chart
8	Indicator Dimmer	000 ⇔ 255	0–100%
9	Indicator Color	000 ⇔ 255	See the Indicator Color Chart

1 Cell Personalities

XY

XY	Ext.	Function	Value	Percent/Setting
1	1	Dimmer	000 ⇔ 255	0–100%
–	2	Fine dimmer	000 ⇔ 255	0–100%
2	3	X coordinate	000 ⇔ 255	0–100%
–	4	Fine X coordinate	000 ⇔ 255	0–100%
3	5	Y coordinate	000 ⇔ 255	0–100%
–	6	Fine Y coordinate	000 ⇔ 255	0–100%
–	7	Strobe	000 ⇔ 255	See the Strobe Chart
–	8	Virtual Color Wheel	000 ⇔ 255	See the Virtual Color Wheel Chart
4	9	Control	000 ⇔ 255	See the Control Chart
5	10	Indicator Dimmer	000 ⇔ 255	0–100%
6	11	Indicator Color	000 ⇔ 255	See the Indicator Color Chart

RGB 5ch - RGBWL Full 21ch

21: RGBWL Full 21ch, **14:** RGBWL Ext. 14ch, **13:** RGBW Ext. 13ch, **12B:** RGB Ext. 12ch, **12A:** RGBWL 16-bit 12ch, **7:** RGBWL 7ch, **6:** RGBW 6ch, **5:** RGB 5ch

5	6	7	12A	12B	13	14	21	Function	Value	Percent/Setting
-	-	-	-	1	1	1	1	Dimmer	000 ⇔ 255	0–100%
-	-	-	-	-	-	-	2	Fine dimmer	000 ⇔ 255	0–100%
1	1	1	1	2	2	2	3	Red	000 ⇔ 255	0–100%
-	-	-	2	-	-	-	4	Fine red	000 ⇔ 255	0–100%
2	2	2	3	3	3	3	5	Green	000 ⇔ 255	0–100%
-	-	-	4	-	-	-	6	Fine green	000 ⇔ 255	0–100%
3	3	3	5	4	4	4	7	Blue	000 ⇔ 255	0–100%
-	-	-	6	-	-	-	8	Fine blue	000 ⇔ 255	0–100%
-	4	4	7	-	5	5	9	White	000 ⇔ 255	0–100%
-	-	-	8	-	-	-	10	Fine white	000 ⇔ 255	0–100%
-	-	5	9	-	-	6	11	Lime	000 ⇔ 255	0–100%
-	-	-	10	-	-	-	12	Fine lime	000 ⇔ 255	0–100%
-	-	-	-	5	6	7	13	Color temperature	000 ⇔ 255	See the Color Temperature Chart
-	-	-	-	-	-	-	14	Fine color temp.	000 ⇔ 255	Fine CCT adjust
-	-	-	-	6	7	8	15	Tint (default to 128)	000 ⇔ 255	-25–+25% green
-	-	-	-	7	8	9	16	Blend CCT with RGBWwL mix (default to 255)	000 001 ⇔ 126 127 ⇔ 128 129 ⇔ 254 255	100% color temperature control 99–51% CCT, 1–49% RGBWwL 50% CCT, 50% RGBWwL mix 49–1% CCT, 51–99% RGBWwL 100% RGBWwL mix
-	-	-	-	8	9	10	17	Strobe	000 ⇔ 255	See the Strobe Chart
-	-	-	-	9	10	11	18	Virtual Color Wheel	000 ⇔ 255	See the Virtual Color Wheel Chart
-	-	-	-	10	11	12	19	Control	000 ⇔ 255	See the Control Chart
4	5	6	11	11	12	13	20	Indicator Dimmer	000 ⇔ 255	0–100%
5	6	7	12	12	13	14	21	Indicator Color	000 ⇔ 255	See the Indicator Color Chart

HSV 6ch

Channel	Function	Value	Percent/Setting
1	Hue	000 ⇔ 255	0–100%
2	Saturation	000 ⇔ 255	0–100%
3	Value	000 ⇔ 255	0–100%
4	Control	000 ⇔ 255	See the Control Chart
5	Indicator Dimmer	000 ⇔ 255	0–100%
6	Indicator Color	000 ⇔ 255	See the Indicator Color Chart

CCT 6ch

Channel	Function	Value	Percent/Setting
1	Dimmer	000 ⇔ 255	0–100%
2	Color temperature	000 ⇔ 255	See the Color Temperature Chart
3	Tint (default to 128)	000 ⇔ 255	-25–+25% green
4	Control	000 ⇔ 255	See the Control Chart
5	Indicator Dimmer	000 ⇔ 255	0–100%
6	Indicator Color	000 ⇔ 255	See the Indicator Color Chart

Operation

Standalone Configuration

Static Mode

The static mode options under **Static** also include preset color temperatures and a manual color mixer.

Fixed Colors

To select a preset fixed color:

1. Go to the **Static** main level.
2. Select the **Fixed Colors** option.
3. Select the desired fixed color from **Red, Green, Blue, Warm White, Lime, RB, GB, RG, RGB, RGBWw, RGBL, or RGBWwL**.
4. Set the **Dimmer** value (**0–255**)

Manual Color Mixer

To manually mix a custom static color:

1. Go to the **Virtual Color Wheel** main level.
2. Select **Manual Color Mixer**.
3. Select the color to edit (**Red, Green, Blue, Amber, or Lime**).
4. Set the value for the selected color (**0–255**).
5. Repeat steps 3 and 4 until product outputs as desired.

Color Temperature

To select a preset color temperature via the menu map:

1. Go to the **Virtual Color Wheel** main level.
2. Select the **Color Temperature** option.
3. Select the desired color temperature (see the [Color Temperature Chart](#)).
4. Set the **Dimmer** value (**0–255**).
5. If desired, set the **Hue** value (**-25–25**).

Auto Show

To select an automatic program:

1. Go to the **Auto Show** main level.
2. Select the desired auto program (**Auto 1–3**).
3. Set the **Speed** value (**1–100**).

Virtual Color Wheel

To select from the Virtual Color Wheel:

1. Go to the **Virtual Color Wheel** main level.
2. Select the **Virtual Color Wheel** option.
3. Select the desired virtual gel color (see the [Virtual Color Wheel Chart](#)).
4. Set the **Dimmer** value (**0–255**)

Color X-Fade Speed

To select the Virtual Color Wheel cross-fade speed:

1. Go to the **Virtual Color Wheel** main level.
2. Select **Color X-Fade Speed**.
3. Select the speed, from **Off** (snap), **X-Fade Speed 1** (fastest), **X-Fade Speed 2**, **X-Fade Speed 3**, or **X-Fade Speed 4** (slowest).

Settings Configuration

Master/Slave

To set the COLORado Solo Edge 3 product to master or slave mode:

1. Go to the **Master/Slave** main level.
2. Select from **Master** (sends control signal) or **Slave** (receives control signal).



- **Configure all the slave products before connecting the master to the daisy chain.**
- **Never connect a DMX controller to a DMX string configured for Master/Slave operation because the controller may interfere with the signals from the master.**
- **Do not connect more than 31 slaves to the master.**

Other Settings

Cell Order

To set the response order for cells on the COLORado Solo Edge 3:

1. Go to the **Other Settings** main level.
2. Select the **Cell Order** option.
3. Select from **1>4** or **4>1**.

Color Calibration

To configure the color calibration:

1. Go to the **Other Settings** main level.
2. Select the **Color Calibration** option.
3. Select from **Off**, **User Calibration**, or **Factory Calibration**.
4. If **User Calibration** is selected, choose the maximum color value to edit, from **Red**, **Green**, **Blue**, **Warm White**, or **Lime**.
5. Set the maximum level for the selected color, from **125–255**.
6. Repeat steps 4–5 until the colors are calibrated as desired.

Red Shift

With red shift enabled, the color temperature will warm as the dimmer decreases in imitation of a lamp. To enable or disable the red shift function:

1. Go to the **Other Settings** main level.
2. Select the **Red Shift** option.
3. Select from **On** or **Off**.

Dimmer Curve

To set the dimmer curve:

1. Go to the **Other Settings** main level.
2. Select the **Dimmer Curve** option.
3. Select from **S Curve**, **Linear**, **Square**, or **Inverse Square**.

Dimmer Speed Mode

To set the dimmer speed:

1. Go to the **Other Settings** main level.
2. Select the **Dimmer Mode** option.
3. Select the dimmer speed mode from **Off** (instant), **Dimmer 1** (fastest), **Dimmer 2**, or **Dimmer 3** (slowest).

Display Backlight

To set how long the display will stay lit without activity:

1. Go to the **Other Settings** main level.
2. Select the **Back Light** option.
3. Select from **10S** (10 seconds), **30S** (30 seconds), **2Min** (2 minutes), or **Always On**.

Display Invert

To invert the display:

1. Go to the **Other Settings** main level.
2. Select the **Display Invert** option.
3. Select from **No** (does not invert the display) or **Yes** (inverts the display).

Operation

Pulse Width Modulation

To set the frequency of the pulse width modulation:

1. Go to the **Other Settings** main level.
2. Select the **LED Frequency** option.
3. Select the PWM frequency, from **1000Hz**, **2000Hz**, **4000Hz**, **6000Hz**, **25KHz**, or **64KHz**.

Power Steady Mode

To maintain a steady LED output during prolonged periods of use:

1. Go to the **Other Settings** main level.
2. Select the **Power Steady** option.
3. Select **On** (activates mode) or **Off** (deactivates mode).

Key Lock

To enable or disable the passcode lock on the display:

1. Go to the **Other Settings** main level.
2. Select the **Key Lock** option.
3. Select from **On** or **Off**.

Info & Updating

Information

To view product information, such as the number of hours the product has been on, the driver firmware, etc:

1. Go to the **Info & Updating** main level.
2. Select the **Information** option.

Temperature

To view the temperatures of the display board (**TEMP 1**) and LEDs (**TEMP 2**):

1. Go to the **Info & Updating** main level.
2. Select the **Temperature** option.

Clock Setting

To set the date and time on the internal clock:

1. Go to the **Info & Updating** main level.
2. Select the **Clock Setting** option.
3. Enter the year (**2000–2099**), month (**01–12**), day (**01–31**), hour (**00–24**), minute (**01–59**), and second (**01–59**).
4. Confirm **Save&ESC** to finish setting the internal clock and return to the previous menu.

Current Time

To view the current date and time:

1. Go to the **Info & Updating** main level.
2. Select the **Current Time** option.

Factory Reset

To reset the product to factory default settings:

1. Go to the **Factory Reset** main level.
2. Select **No** (do not reset) or **Yes** (reset).

Web Server

The COLORado Solo Edge 3 Web Server can be accessed by any computer on the same network as the product. It allows network access to system information, settings such as control protocol and starting address, color output testing, and the ability to change the Web Server password.

1. Connect the product to a Windows computer with a network cable.
2. On the computer, set the IP address of the new network to have the same first 3 digits as the IP address of the product (See [IP Address](#)).
3. Enter the IP address of the product into the URL bar of a web browser on the computer.
4. Enter both the User Name and Password as **admin** to log in.

Home

The Web Server Home page displays the details of all available control personalities and the technical specifications for the COLORado Solo Edge 3.

Settings

The Web Server Settings page provides options for control. From the drop-down menus, the Protocol, Universe, Start Address, IP Address, Ethernet to DMX, Personality, Dimmer Curve, Dimmer Mode, and PWM Frequency can all be edited. Click **Save Settings** to send the new configuration to the product.

Output

On the Web Server Output page, an output test of the product's LEDs can be performed, by either editing the values of each LED manually (by typing the number or moving the fader), or by selecting a sample color. The page will show the current output color on the bottom left.

Security

The Web Server Security page gives the option to change the password to the connected product's web server. Enter the old password (**admin**, by default) and the new password twice, then click **Save Settings** to change the password.

5. Maintenance

Product Maintenance

Dust build-up reduces light output performance and can cause overheating. This can lead to reduction of the light source's life and/or mechanical wear. To maintain optimum performance and minimize wear, clean each lighting product at least twice a month. However, be aware that usage and environmental conditions could be contributing factors to increase the cleaning frequency.

To clean the product, follow the instructions below:

1. Unplug the product from power.
2. Wait until the product is at room temperature.
3. Use a vacuum (or dry compressed air) and a soft brush to remove dust collected on the external surface/vents.
4. Clean all transparent surfaces with a mild soap solution, ammonia-free glass cleaner, or isopropyl alcohol.
5. Apply the solution directly to a soft, lint free cotton cloth or a lens cleaning tissue.
6. Softly drag any dirt or grime to the outside of the transparent surface.
7. Gently polish the transparent surfaces until they are free of haze and lint.



Always dry the transparent surfaces carefully after cleaning them.

Torque Measurements

To maintain the IP rating when reassembling the product, use the given torque measurements for each of the following screws and bolts:

Fixture Parts	Torque Rating (Kgf.cm)	Torque Rating (lbf.in)
Rear cover	9	7.81
Battery box cover	10	8.68
Glass plate	8.5	7.38
Barn door	10	8.68
LED standoff	4.8	4.17

Vacuum Test Measurements

Use the IP Tester from Chauvet Professional to ensure the product has been reassembled correctly by following the information below:

Parameters	Values
Method	Positive or negative
Test pressure	40 kPa
Test duration	40 seconds
PASS state leak pressure	-20~100 kPa

6. Technical Specifications

Dimensions and Weight

Length	Width	Height	Weight
39.37 in (1000 mm)	225 in (225 mm)	2.51 in (64 mm)	22 lb (10 kg)

Note: Dimensions in inches are rounded.

Power

Power Supply Type	Range	Voltage Selection
Switching (internal)	100 to 240 VAC, 50/60 Hz	Auto-ranging

Parameter	100 V, 60 Hz	120 V, 60 Hz	208 V, 60 Hz	230 V, 50 Hz	240 V, 50 Hz
Consumption	245 W	242 W	237 W	236 W	236 W
Operating Current	2.46 A	2.03 A	1.18 A	1.06 A	1.02 A
Power Linking	5 products	6 products	10 products	11 products	12 products

Power I/O	U.S./Worldwide	UK/Europe
Power Input Connector	Seetronic Powerkon IP65	Seetronic Powerkon IP65
Power Output Connector	Seetronic Powerkon IP65	Seetronic Powerkon IP65
Power Cable plug	Edison	Local plug

Light Source

Type	Color	Quantity	Lifespan
LED	Red	112	20,000 hours
	Green		
	Blue		
	White		
	Lime		

Photometrics

Color Temperature Range	Color Temperature at Full	CRI (2800)
2800 to 8000 K	6600 K	93

Beam Angle (Horizontal)	Beam Angle (Vertical)	Field Angle (Horizontal)	Field Angle (Vertical)
111°	120°	134°	161°

Illuminance @ 5 m	Lumens
221 lux	17,698

Thermal

Maximum External Temperature	Cooling System
113 °F (45 °C)	Convection

Control

DMX I/O Connector	Channel Range
3-pin or 5-pin XLR	5, 6, 7, 8, 9, 10, 11, 12, 13, 14, 15, 18, 19, 21, 22, 23, 33, 37, 41, 42, 69 or (HSV)

Ordering

Product Name	Item Name	Item Code	UPC Number
COLORado Solo Edge 3	COLORado Solo Edge 3	03032681	781462230296



UL 1573
CSA C22.2 No. 166
E113093



RoHS



Contact Us

General Information	Technical Support
Chauvet World Headquarters	
Address: 3360 Davie Rd., Suite 509 Davie, FL 33314 Voice: (954) 577-4455 Fax: (954) 929-5560 Toll Free: (800) 762-1084	Voice: (844) 393-7575 Fax: (954) 756-8015 Email: chauvetcs@chauvetlighting.com Website: www.chauvetprofessional.com
Chauvet U.K.	
Address: Pod 1 EVO Park Little Oak Drive, Sherwood Park Nottinghamshire, NG15 0EB UK Voice: +44 (0) 1773 511115 Fax: +44 (0) 1773 511110	Email: UKtech@chauvetlighting.eu Website: www.chauvetprofessional.eu
Chauvet Benelux	
Address: Vaartlaan 9 9800 Deinze Belgium Voice: +32 9 388 93 97	Email: BNLtech@chauvetlighting.eu Website: www.chauvetprofessional.eu
Chauvet France	
Address: 3, Rue Ampère 91380 Chilly-Mazarin France Voice: +33 1 78 85 33 59	Email: FRtech@chauvetlighting.fr Website: www.chauvetprofessional.eu
Chauvet Germany	
Address: Bruno-Bürgel-Str. 11 28759 Bremen Germany Voice: +49 421 62 60 20	Email: DEtech@chauvetlighting.de Website: www.chauvetprofessional.eu
Chauvet Mexico	
Address: Av. de las Partidas 34 - 3B (Entrance by Calle 2) Zona Industrial Lerma Lerma, Edo. de México, CP 52000 Voice: +52 (728) 690-2010	Email: servicio@chauvet.com.mx Website: www.chauvetprofessional.mx

Warranty & Returns

For warranty terms and conditions and return information, please visit our website.

For customers in the United States and Mexico: www.chauvetlighting.com/warranty-registration.

For customers in the United Kingdom, Republic of Ireland, Belgium, the Netherlands, Luxembourg, France, and Germany: www.chauvetlighting.eu/warranty-registration.