

MAVERICK STORM

3 PROFILE
User Manual



Model ID: MAVERICKSTORM3PROFILE

CHAUVET
PROFESSIONAL

Edition Notes

The Maverick Storm 3 Profile User Manual includes a description, safety precautions, installation, programming, operation, and maintenance instructions for the Maverick Storm 3 Profile as of the release date of this edition.

Trademarks

Chauvet, Chauvet Professional, the Chauvet logo, and Maverick are registered trademarks or trademarks of Chauvet & Sons, LLC (d/b/a Chauvet and Chauvet Lighting) in the United States and other countries. Other company and product names and logos referred to herein may be trademarks of their respective companies.

Copyright Notice

The works of authorship contained in this manual, including, but not limited to, all designs, text, and images are owned by Chauvet.

© Copyright 2026 Chauvet & Sons, LLC. All rights reserved.

Electronically published by Chauvet in the United States of America.

Manual Use

Chauvet authorizes its customers to download and print this manual for professional information purposes only. Chauvet expressly prohibits the usage, copy, storage, distribution, modification, or printing of this manual or its content for any other purpose without written consent from Chauvet.

Document Printing

For best results, print this document in color, on letter size paper (8.5 x 11 in), double-sided. If using A4 paper (210 x 297 mm), configure the printer to scale the content accordingly.

Intended Audience

Any person installing, operating, and/or maintaining this product should completely read through the guide that shipped with the product, as well as this manual, before installing, operating, or maintaining this product.

Disclaimer

Chauvet believes that the information contained in this manual is accurate in all respects. However, Chauvet assumes no responsibility and specifically disclaims any and all liability to any party for any loss, damage, or disruption caused by any errors or omissions in this document, whether such errors or omissions result from negligence, accident, or any other cause. Chauvet reserves the right to revise the content of this document without any obligation to notify any person or company of such revision. However, Chauvet has no obligation to make, and does not commit to make, any such revisions.

Document Revision

Go to www.chauvetprofessional.com for the latest version.

Revision	Date	Description
5	6/2026	Added optical data to technical specifications

TABLE OF CONTENTS

- 1. Before You Begin** 1
 - What Is Included 1
 - Claims 1
 - Text Conventions 1
 - Symbols 1
 - Safety Notes..... 2
 - FCC Statement of Compliance 3
 - RF Exposure Warning for North America and Australia..... 3
 - Expected LED Lifespan..... 3
- 2. Introduction** 4
 - Features 4
 - Product Overview 5
 - Product Dimensions 6
- 3. Setup** 7
 - AC Power 7
 - AC Plug 7
 - Fuse Replacement 7
 - Signal Connections 7
 - Control Personalities 7
 - DMX Linking 7
 - Remote Device Management 7
 - Art-Net™ Connection 7
 - sACN Connection..... 7
 - Ethernet Connection Diagram 8
 - Lumenradio CRMX™ Connection 8
 - Initial Setup 8
 - Configuration..... 8
 - Product Pairing 8
 - USB Software Update 9
 - Mounting 10
 - Orientation..... 10
 - Rigging 10
 - Procedure..... 10
 - Color Wheel 11
 - Gobo Wheels 12
 - Gobo Replacement 13
 - Procedure..... 13
 - Gobo Replacement Diagrams 13
- 4. Operation** 14
 - Control Panel Description 14
 - Control Options 14
 - Programming..... 14
 - Battery Powered Display 14
 - Home Screen 14
 - Control Panel Lock..... 14
 - Passcode 14

Menu Map	15
DMX Configuration	21
DMX Personalities	21
Starting Address	22
Control Configuration	22
Network Setup	22
IP Mode	22
Universe	22
Manual IP Address	22
Subnet Mask	22
Ethernet to DMX	22
DMX Channel Assignments and Values	23
Control Chart	23
50 CH / 34 CH	23
Settings Configuration	26
Pan Reverse	26
Tilt Reverse	26
Screen Reverse	27
Pan Angle	27
Tilt Angle	27
Black out on Movement	27
Swap Pan and Tilt	27
CRMX Reset	27
Display Backlight	27
Loss of Data	27
Fan Mode	27
Dimmer Curve	28
Pulse Width Modulation	28
LED Power	28
Minimum Zoom Focus	28
Preset Selection	28
Preset Synchronization	28
Reset Function	28
Factory Reset	28
Test Mode	29
Auto Test	29
Manual Test	29
System Information	29
Zero Adjust Mode	29
Web Server	30
Home	30
Settings	30
Output	30
Security	30
Error Codes	31
5. Maintenance	34
Product Maintenance	34
Torque Measurements	35
Vacuum Test Measurements	35
Gobo Maintenance	35

Table of Contents

Transporting on Truss or Racks.....	36
6. Technical Specifications	37
Contact Us	38
Warranty & Returns.....	38

1. Before You Begin

What Is Included

- Maverick Storm 3 Profile
- Seetronic Powerkon IP65 power cable
- 2 Omega brackets with mounting hardware
- Quick Reference Guide

Claims

Carefully unpack the product immediately and check the container to make sure all the parts are in the package and are in good condition.




If the box or the contents (the product and included accessories) appear damaged from shipping, or show signs of mishandling, notify the carrier immediately, not Chauvet. Failure to report damage to the carrier immediately may invalidate a claim. In addition, keep the box and contents for inspection.

For other issues, such as missing components or parts, damage not related to shipping, or concealed damage, file a claim with Chauvet within 7 days of delivery.

Text Conventions

Convention	Meaning
1–512	A range of values
50/60	A set of values of which only one can be chosen
Settings	A menu option not to be modified
<ENTER>	A key to be pressed on the product’s control panel

Symbols

Symbol	Meaning
	Critical installation, configuration, or operation information. Not following these instructions may make the product not work, cause damage to the product, or cause harm to the operator.
	Important installation or configuration information. The product may not function correctly if this information is not used.
	Useful information.



Any reference to data or power connections in this manual assumes the use of Seetronic IP-rated cables.



The term “DMX” used throughout this manual refers to the USITT DMX512-A digital data transmission protocol.

Connection of the control signal: DMX line

- The product has XLR sockets for DMX input and output.
- Notice: This control circuit is isolated and belongs to the Class 2 data port.

The control circuit has a cumulative leakage current of less than 3.5 mA.

Before You Begin

Safety Notes

Read all the following safety notes before working with this product. These notes contain important information about the installation, usage, and maintenance of this product.



This product contains no user-serviceable parts. Any reference to servicing in this User Manual will only apply to properly trained, certified technicians. Do not open the housing or attempt any repairs.



All applicable local codes and regulations apply to proper installation of this product.

- The luminaire is intended for professional use only.
- The luminaire should be positioned so that prolonged staring into the luminaire at a distance closer than 33.79 ft (10.3 m) is not expected.
- If the external flexible cable or cord of this luminaire is damaged, it shall be replaced by a special cord or cord exclusively available from the manufacturer or its service agent.
- The light source contained in this luminaire shall only be replaced by the manufacturer or its service agent or a similar qualified person.
- **CAUTION:**
 - This product's housing may be hot when operating. Mount this product in a location with adequate ventilation, at least 20 in (50 cm) from adjacent surfaces.
 - When transferring the product from extreme temperature environments, (e.g., cold truck to warm humid ballroom) condensation may form on the internal electronics of the product. To avoid causing a failure, allow the product to fully acclimate to the surrounding environment before connecting it to power.
 - Flashing light is known to trigger epileptic seizures. User must comply with local laws regarding notification of strobe use.
- **ALWAYS:**
 - Disconnect from power before cleaning the product or replacing the fuse.
 - When using an IP65-rated product in an outdoor environment, use IP65- (or higher) rated power and data cable.
 - Replace and secure IP-rated protective covers to all power, data, USB, or other ports when not in use.
 - Replace the fuse with the same type and rating.
 - Use a safety cable when mounting this product overhead.
 - Connect this product to a grounded and protected circuit.
- **DO NOT:**
 - Open this product. It contains no user-serviceable parts.
 - Look at the light source when the product is on.
 - Leave any flammable material within 100 cm of this product while operating or connected to power.
 - Connect this product to a dimmer or rheostat.
 - Operate this product if the housing, lenses, or cables appear damaged.
 - Submerge this product (adhere to standards for the published IP rating). Regular outdoor operation is fine.
 - Permanently install outdoors in locations with extreme environmental conditions. This includes, but is not limited to:
 - Exposure to a marine/saline environment (within 3 miles of a saltwater body of water).
 - Locations where normal temperatures exceed the temperature ranges in this manual.
 - Locations that are prone to flooding or being buried in snow.
 - Other areas where the product will be subject to extreme radiation or caustic substances.
 - **ONLY** use the hanging/mounting bracket to carry this product.
 - The maximum ambient temperature is 113 °F (45 °C). Do not operate this product at higher temperatures.
 - The minimum startup temperature is -4 °F (-20 °C). Do not start the product at lower temperatures.
 - The minimum ambient temperature is -22 °F (-30 °C). Do not operate the product at lower temperatures.
 - To eliminate unnecessary wear and improve its lifespan, during periods of non-use completely disconnect the product from power via breaker or by unplugging it.
 - In the event of a serious operating problem, stop using immediately.



If this Chauvet product requires service, contact Chauvet Technical Support.

FCC Statement of Compliance

This device complies with Part 15 Part B of the FCC rules. Operation is subject to the following two conditions:

1. This device may not cause harmful interference, and
2. This device must accept any interference received, including interference that may cause undesired operation.

This equipment has been tested and found to comply with the limits for a Class B digital device, pursuant to Part 15 of the FCC Rules. These limits are designed to provide reasonable protection against harmful interference in a residential installation. This equipment generates uses and can radiate radio frequency energy and, if not installed and used in accordance with the instructions, may cause harmful interference to radio communications. However, there is no guarantee that interference will not occur in a particular installation. If this equipment does cause harmful interference to radio or television reception, which can be determined by turning the equipment off and on, the user is encouraged to try to correct the interference by one or more of the following measures:

- Reorient or relocate the receiving antenna.
- Increase the separation between the equipment and receiver.
- Connect the equipment into an outlet on a circuit different from that to which the receiver is connected.
- Consult the dealer or an experienced radio/TV technician for help.

Any changes or modifications not expressly approved by the party responsible for compliance could void the user's authority to operate the equipment.

RF Exposure Warning for North America and Australia

Warning! This equipment complies with FCC radiation exposure limits set forth for an uncontrolled environment. This equipment should be installed and operated with a minimum distance of 20 cm between the radiator and the user. This transmitter must not be co-located or operating in conjunction with any other antenna or transmitter.

Expected LED Lifespan

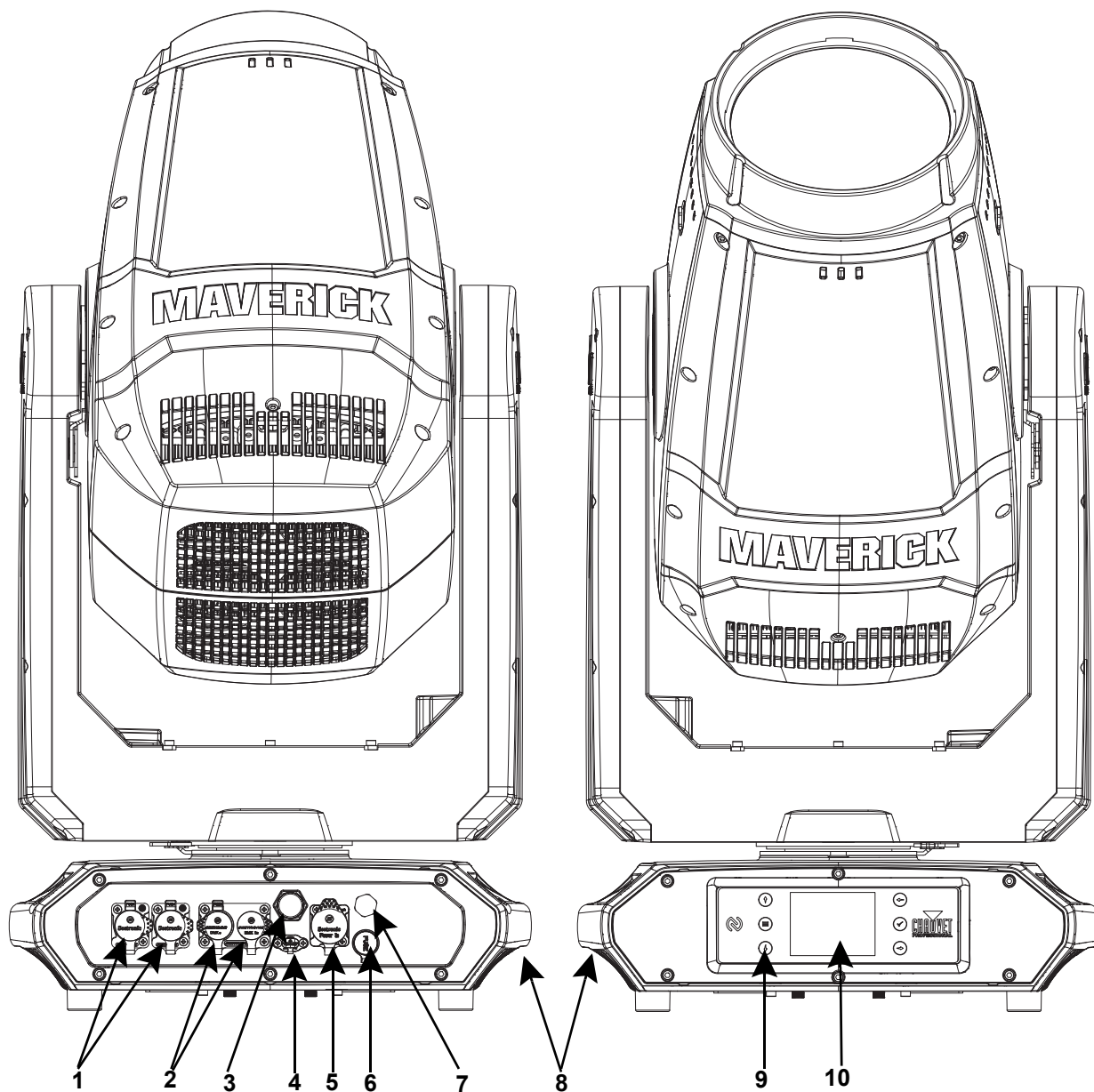
Over time, use and heat will gradually reduce LED brightness. Clustered LEDs produce more heat than single LEDs, contributing to shorter lifespans if always used at full intensity. The average LED lifespan is 40,000 to 50,000 hours. To extend LED lifespan, maintain proper ventilation around the product, and limit the overall intensity.

2. Introduction

Features

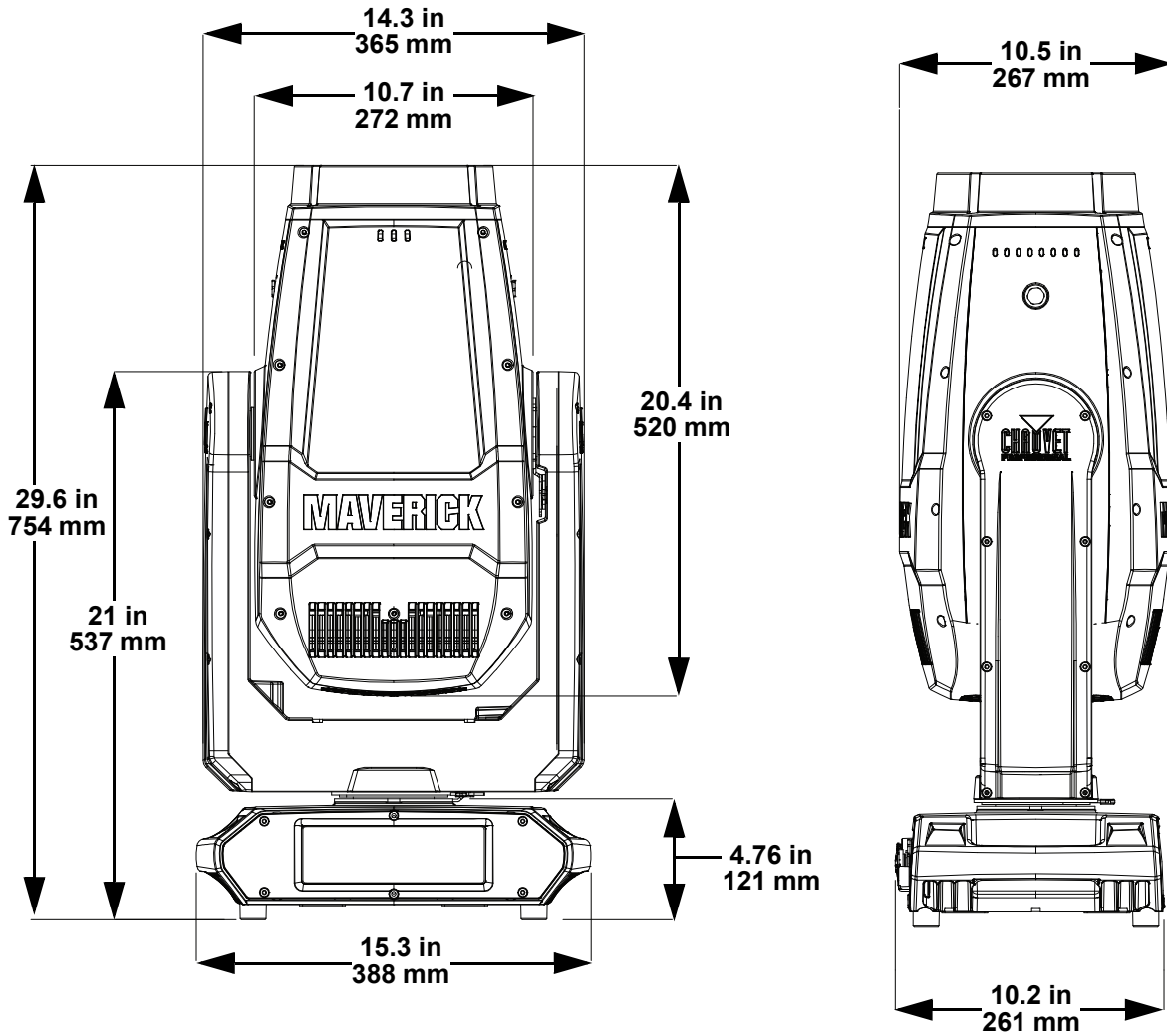
- Fully featured, compact and lightweight IP65 620 W LED yoke profile fixture including CMY + CTO color mixing, a 4-blade framing shutter system with rotation, a color wheel, 18:1 zoom, a 5-facet prism wheel, 1 rotating and 1 static gobo wheel, integrated sun shield
- 16-bit dimming of master dimmer for smooth control of fades
- Variable CMY + CTO color mixing system to create a wide pallet of colors
- CRI and CTB filters on color wheel for added flexibility
- One rotating, indexing and interchangeable slot and lock gobo wheel
- One rotating static gobo wheel
- DMX, CRMX, sACN, and Art-Net for full flexibility of control options
- RDM control over DMX for fixture reporting
- 3.4° to 56.7° (18:1) zoom range for variable beam sizes
- Iris, 5-facet prism and frost for beam control
- True 1 compatible power input
- Integrated sun shield for protecting the optical path from sunlight when the fixture is off
- Three setup menu presets and preset sync for cross loading to multiple like fixtures for easy shop setup
- USB slot for software uploads
- Battery backup display with auto-rotate depending on fixture orientation
- Failsafe Ethernet connectivity allows for data to pass even if fixture power is lost
- NFC for quick and easy fixture setup in the shop or in the field

Product Overview



#	Name	#	Name
1	Ethernet ports	6	Fuse holder
2	5-pin DMX in/out	7	Condensation valve
3	Antenna	8	Carry handles
4	USB-C port	9	Menu buttons
5	Power in	10	LCD display

Product Dimensions



3. Setup

AC Power

The Maverick Storm 3 Profile has an auto-ranging power supply and it can work with an input voltage range of 100 to 240 VAC, 50/60 Hz.

To determine the product's power requirements (circuit breaker, power outlet, and wiring), use the current value listed on the label affixed to the product's back panel, or refer to the product's specifications chart. The listed current rating indicates the product's average current draw under normal conditions.



- **Always connect the product to a protected circuit (a circuit breaker or fuse). Ensure the product has an appropriate electrical ground to avoid the risk of electrocution or fire.**
- **To eliminate unnecessary wear and improve its lifespan, during periods of non-use completely disconnect the product from power via breaker or by unplugging it.**



Never connect the product to a rheostat (variable resistor) or dimmer circuit, even if the rheostat or dimmer channel serves only as a 0 to 100% switch.

AC Plug

The Maverick Storm 3 Profile comes with a power input cable terminated with a Seetronic Powerkon A connector on one end and an Edison plug on the other end (U.S. market). If the power cable which came with the product has no plug, or if it is necessary to change the plug, use the table below to wire a plug.

Connection	Wire (U.S.)	Wire (Europe)	Screw Color
AC Live	Black	Brown	Yellow or Brass
AC Neutral	White	Blue	Silver
AC Ground	Green/Yellow	Green/Yellow	Green

Fuse Replacement

1. Disconnect this product from the power outlet.
2. Using a flat-head screwdriver, unscrew the fuse holder cap from the housing.
3. Remove the blown fuse and replace with another fuse of the same type and rating (F15 A, 250 V).
4. Screw the fuse holder cap back in place and reconnect power.

Signal Connections

The Maverick Storm 3 Profile can receive a DMX, Art-Net™, sACN, or a wireless Lumenradio CRMX™ signal. The product has 2 Seetronic Etherkon-compatible through ports and 5-pin DMX in and out ports. If using other compatible products with this product, it is possible to control each individually with a single controller.

Control Personalities

The Maverick Storm 3 Profile uses a 5-pin DMX data connection, Art-Net™, sACN, or wireless CRMX™ for its 2 control personalities, ranging from **DMX Mode 34 Ch** or **DMX Mode 50 Ch**.

DMX Linking

The Maverick Storm 3 Profile can link to a DMX controller using a 5-pin DMX connection or a CRMX™ connection. For more information about DMX, read the DMX primer at: https://www.chauvetprofessional.com/wp-content/uploads/2016/06/DMX_Primer.pdf.

Remote Device Management

Remote Device Management, or RDM, is a standard for allowing DMX-enabled devices to communicate bi-directionally along existing DMX cabling. Check the DMX controller's User Manual or with the manufacturer as not all DMX controllers have this capability. The Maverick Storm 3 Profile supports RDM protocol that allows feedback to make changes to menu map options.

Art-Net™ Connection

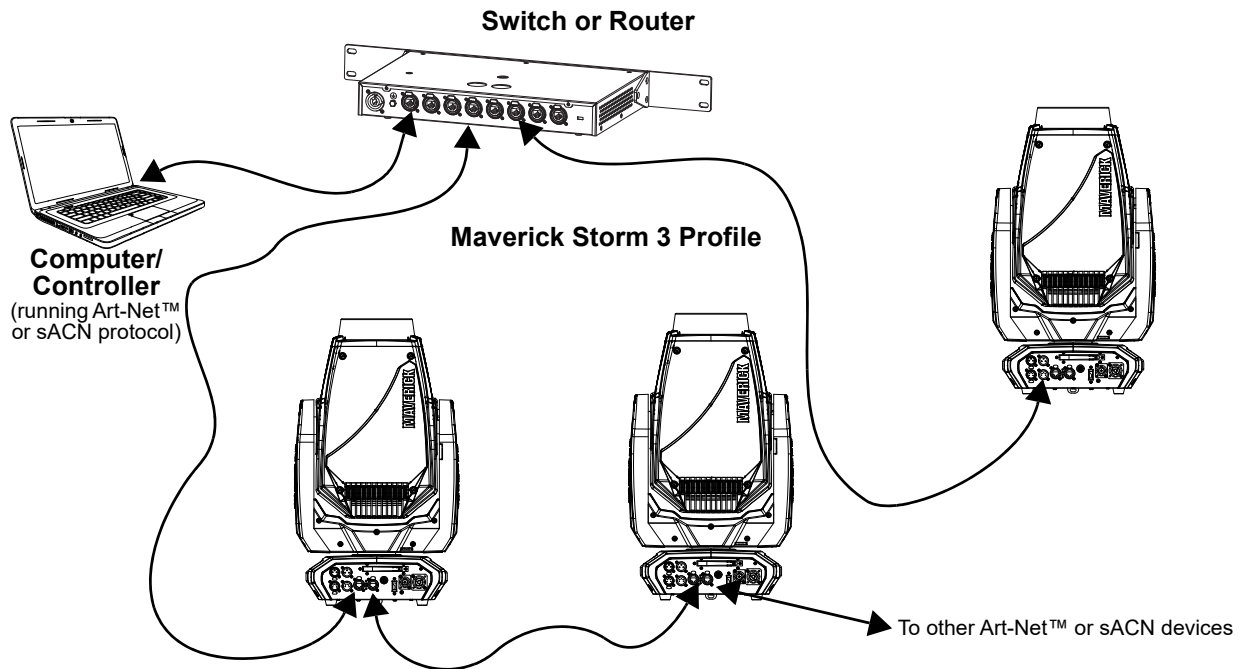
Art-Net™ is an Ethernet protocol that uses TCP/IP which transfers a large amount of DMX512 data using an ethernet connection over a large network. An Art-Net™ protocol document is available from www.chauvetprofessional.com.

Art-Net™ designed by and copyright Artistic Licence Holdings Ltd.

sACN Connection

Also known as ANSI E1.31, streaming ACN is an Ethernet protocol that uses the layering and formatting of Architecture for Control Networks to transport DMX512 data over IP or any other ACN compatible network.

Ethernet Connection Diagram



Lumenradio CRMX™ Connection

In optimal conditions, the Maverick Storm 3 Profile can operate up to 300 m (900 ft) away from the CRMX™ transmitter. The CRMX™ receiver in the Maverick Storm 3 Profile must be paired with the CRMX™ transmitter for wireless operation.

Initial Setup

1. Turn the CRMX™ transmitter on.
2. Connect the CRMX™ transmitter to a DMX controller.
3. Place the Maverick Storm 3 Profile within 300 m from the CRMX™ transmitter.
4. Turn the Maverick Storm 3 Profile on.

Configuration

1. From the Maverick Storm 3 Profile's control panel, go to **DMX Address**.
2. Select the start address, as with any other DMX compatible product.
3. Go to **Settings > ControlMode**.
4. Select **CRMX**. (The Signal Strength Indicator will show a ? in front of the bars)
5. Press the reset button on the CRMX™ transmitter. (The Signal Strength Indicator on the Maverick Storm 3 Profile will show a 4 in front of the bars for 3 seconds while a connection is established.)

Product Pairing

If the Maverick Storm 3 Profile has already been paired with the CRMX™ transmitter, the Signal Strength Indicator on top of the display will show the strength of the signal. In this case, the Maverick Storm 3 Profile is ready to work in Wireless mode.

Pairing the Maverick Storm 3 Profile and a New CRMX™ Transmitter

1. From the Maverick Storm 3 Profile control panel, go to **Settings > ControlMode**.
2. Select **CRMX**.
3. From the CRMX™ transmitter, press **<RESET>**. The signal indicator on the transmitter will flash.
4. Once the transmitter has found the Maverick Storm 3 Profile, the signal indicator on the CRMX™ transmitter will illuminate solid.
5. The display screen on the Maverick Storm 3 Profile will show the strength of the signal.



CRMX™ operation can be interrupted or inhibited by people or liquid masses, including water or snow, between the transmitter and receiver. For best results, keep the area between the transmitter and receiver clear of any liquid masses.

USB Software Update

The Maverick Storm 3 Profile allows for software updates with a USB device using the built-in USB port. To update the software using a USB flash drive, do the following:

1. Power on the product, and plug the flash drive into the USB port.
2. Go to the **Settings** main level.
3. Select the “**USB Update**” option. Press <ENTER>. Select from **Update Me** or **Update Other**. A list of the updated software files will be displayed.
4. Select the file that needs to be uploaded. The message “**Are you sure?**” will be displayed. Press <ENTER>.



If the selected file is incorrect, the upgrade will fail, and the display will go back to the main interface. Repeat steps 1–3 using the correct file.

5. If the selected file is correct, the upgrade will start. DO NOT turn off the power or disconnect the USB during the process. USB update can take several minutes to complete.
6. When the update is completed, the fixture will automatically reboot.
7. Go to **Information** on the product’s menu level, select **Fixture Information** and confirm the firmware revision.
8. When the boot-up process is finished, restart the product.



- **Place the .chl file in the root directory of the USB drive.**
- **The product’s USB port supports up to 32GB capacity and only works with FAT32 file format.**

Setup

Mounting

Before mounting the product, read and follow the safety recommendations indicated in the [Safety Notes](#).

Orientation

Always mount this product in a safe position, making sure there is adequate room for ventilation, configuration, and maintenance.

Rigging

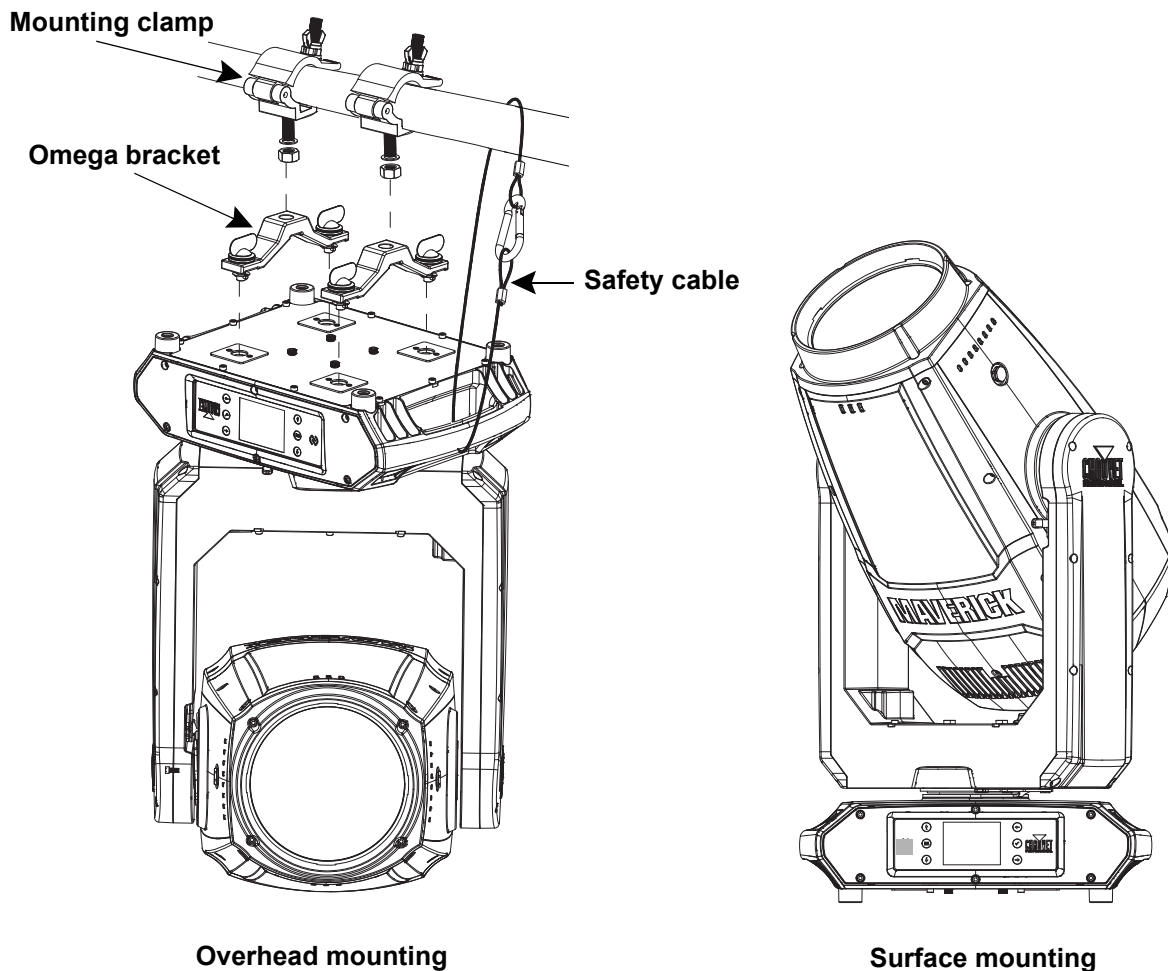
Chauvet recommends using the following general guidelines when mounting this product.

- Before deciding on a location for the product, make sure there is easy access to the product for maintenance and programming purposes.
- Make sure that the structure and attachment points can support the weight before hanging the product (see the [Technical Specifications](#) for weight information).
- When mounting the product overhead, always use a safety cable. Mount the product securely to a rigging point, whether an elevated platform or a truss.
- When rigging the product onto a truss, use a mounting clamp of appropriate weight capacity..

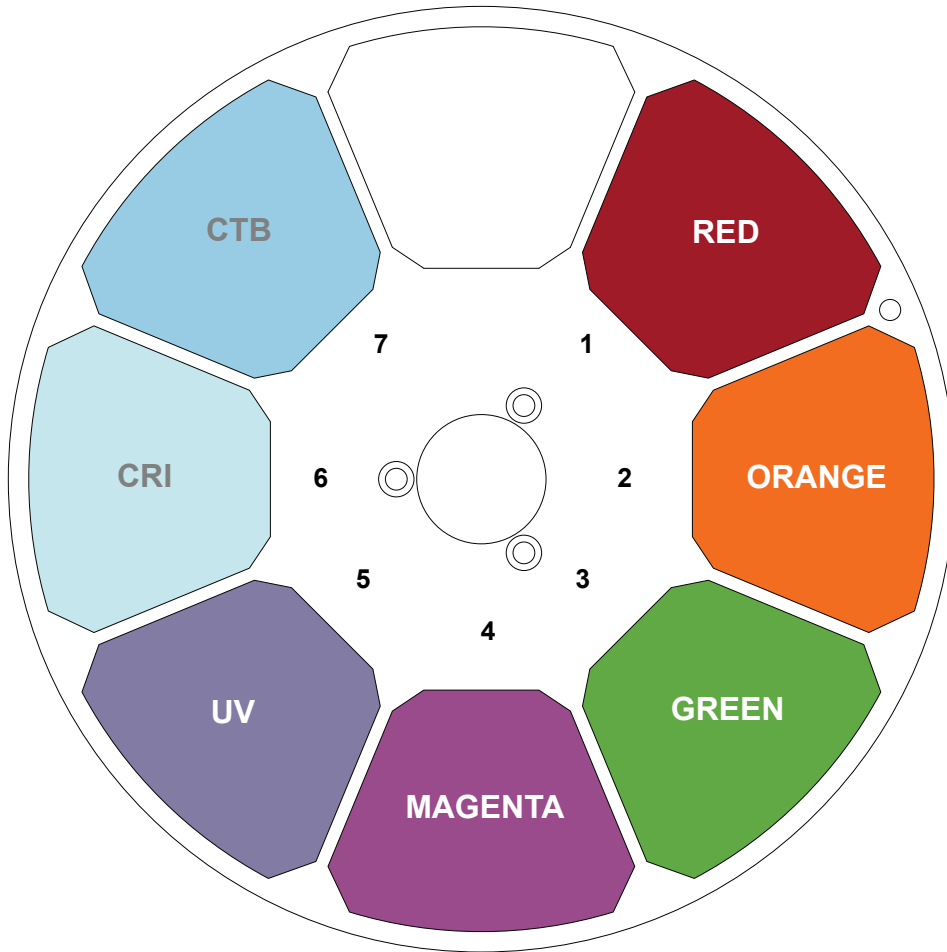
Procedure

The Maverick Storm 3 Profile comes with two Omega brackets. The user can directly attach a mounting clamp (sold separately) to this Omega bracket. Make sure the clamp is capable of supporting the weight of this product. For the Chauvet Professional line of mounting clamps, go to <http://www.trusst.com/products>.

Mounting Diagram

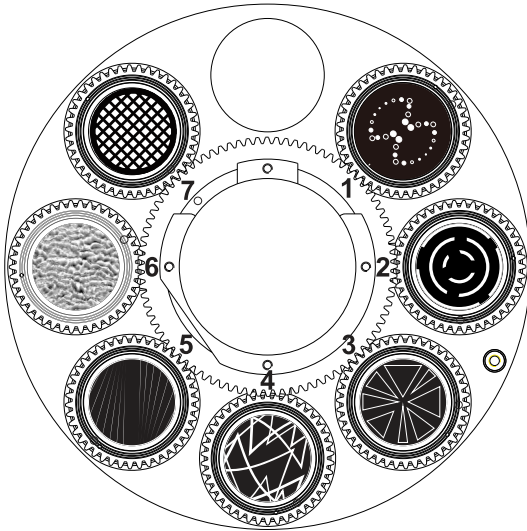


Color Wheel

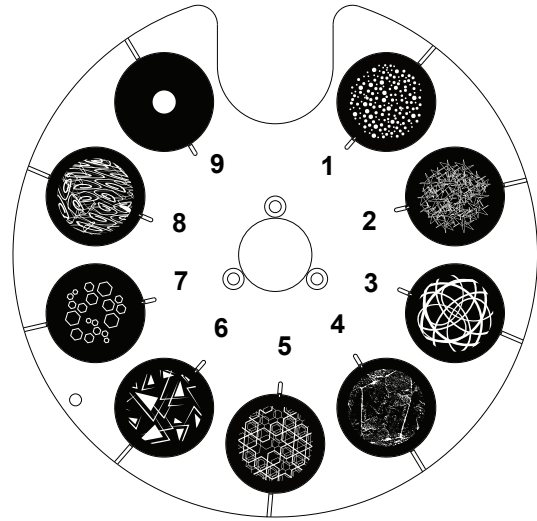


Gobo Wheels

Gobo 1 (Rotating)

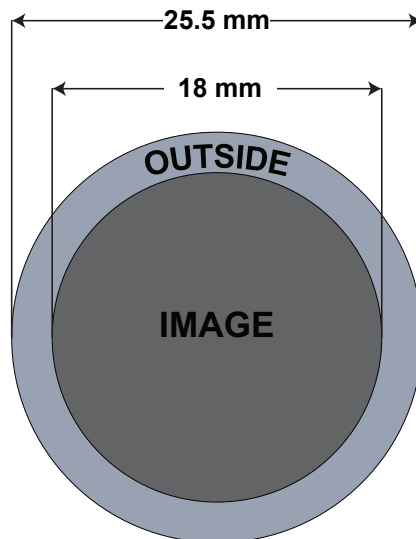


Gobo 2 (Static)



Gobo Wheel	Gobo #	Description	Gobo Wheel	Gobo #	Description
1	1	Pipes & Poles	2	1	Dots
	2	Cookie Cutter		2	Paperclip Party
	3	This Way		3	Orbital
	4	Fast Moves		4	Dirty Dirt
	5	Laser Rays		5	Box Cutter
	6	Limbo		6	Crazy Turns
	7	Grate		7	Hex Chem
				8	Scribble
				9	Aperture

Gobo Dimensions



Gobo Replacement

The gobos in the Maverick Storm 3 Profile are removable from their gobo holders.



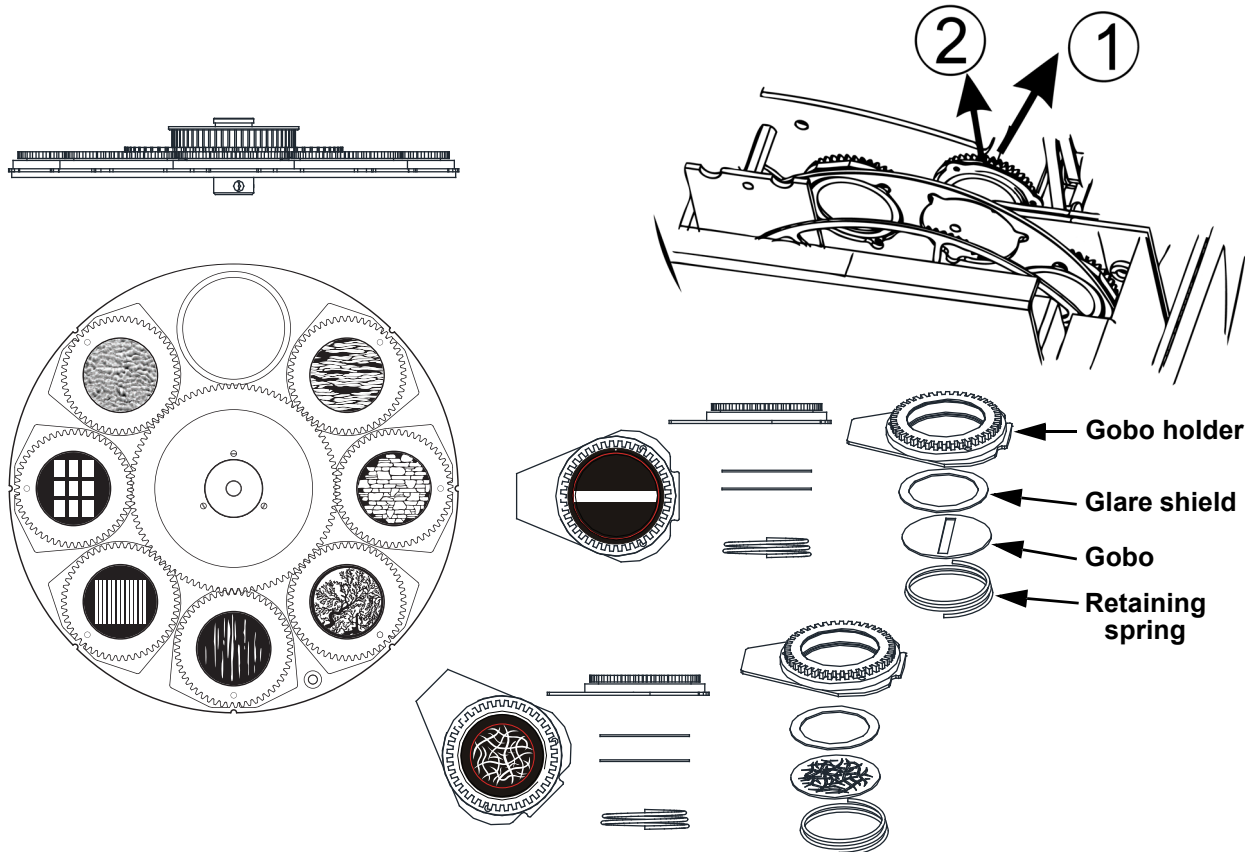
- **Make sure to disconnect the product's power cable before replacing a gobo.**
- **Always replace a gobo with a gobo of the same dimensions.**
- **When inserting a glass gobo, always make sure that the shiny side of the gobo (glass base) faces the LED. This provides a layer of protection against the high temperature from the LED.**
- **All custom gobos in the Maverick Storm 3 Profile gobo wheel 1 must be aluminum or glass.**

Procedure

Follow the recommended procedure below to remove or replace the gobos:

1. Turn the product off and disconnect it from the power outlet.
2. Open the head cover by loosening the screws on the sides of the top cover.
3. Separate the gobo holder away from the gobo wheel by pushing it toward the front of the moving head (see direction 1 in the diagram). Be careful not to push the gobo out of the gobo holder.
4. Extract the gobo holder by pulling it outward (see direction 2 in the diagram).
5. On a flat surface, remove the expansion ring that holds the gobo in place and remove the gobo from the gobo holder.
6. Insert a new gobo and hold it in place with the expansion ring.
7. Slide the tip of the gobo holder under the pressure plate near the center of the gobo wheel.
8. Push the gobo holder inwards. **DO NOT** force the gobo holder into the gobo wheel slot. If correctly installed, the gobo plate should easily slide itself into the gobo wheel slot.







Gobo Replacement Diagrams



- **Gobo illustrations are for reference purposes only. Gobo designs may differ from those installed in the product.**
- See [Gobo Replacement](#) for which gobo holders can accommodate metal, glass, or either.
- See [Gobo Maintenance](#) for instructions on how to clean the gobos and gobo holder.

4. Operation

Control Panel Description

Button	Name	Function
	<Up>	Navigates upwards through the menu or increases the numeric value of a function
	<Menu>	Exits the current menu or function
	<Down>	Navigates downwards through the menu or decreases the numeric value of a function
	<Left>	Navigates leftwards through the menu
	<Enter>	Enables the currently displayed menu or sets a selected value into a function
	<Right>	Navigates rightwards through the menu

Control Options

Set the Maverick Storm 3 Profile starting address in the **001-479** DMX range. This enables control of up to 14 products in the 34-channel **DMX Mode 34 CH** personality.

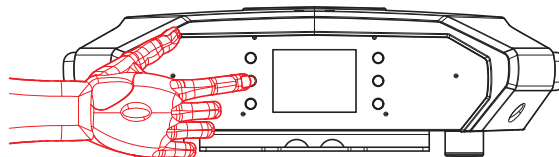
Programming

Refer to the menu map to understand the menu options. The menu map shows the main menu and a variable number of programming levels for each option.

- To access the main menu, press **<ENTER>**.
- To navigate to the desired option in the main menu, use **<UP>** or **<DOWN>**.
- Press **<ENTER>** to select the indicated option.
- Use **<UP>** or **<DOWN>** to navigate within a programming level until the desired option is indicated.
- To return to the main menu, press **<MENU>** repeatedly until it shows on the display.
- Press and hold **<MENU>** to return to the home screen..

Battery Powered Display

The Maverick Storm 3 Profile has a battery powered display which enables access to the menu when the product is powered off. Press and hold **<MENU>** until the display activates (approximately 15 seconds).



Home Screen

The Maverick Storm 3 Profile has a home screen that shows the current control protocols, personalities, starting addresses, IP addresses, and universes. To see the home screen, press **<MENU>** repeatedly until it shows on the display. From the home screen, press **<ENTER>** to reach the main menu.

Control Panel Lock

The setting locks or unlocks the control panel.

1. Go to the **Settings** main level.
2. Select the **Lock Screen** option.
3. Select **NO** (control panel stays unlocked) or **YES** (locks control panel).



When the control panel lock is activated, the product will prompt for the passcode in order to access the menu. Enter the passcode as described below.

Passcode

After being prompted to enter the passcode, enter **0920**.

Menu Map

Refer to the Maverick Storm 3 Profile product page on www.chauvetprofessional.com for the latest menu map.

Main Level	Programming Levels		Description
Address	001–512		Sets the starting address
Network Setup	IP Mode	Manual	Manually set IP address
		DHCP	Network sets IP address
		Static	Product sets IP address
	Universe	000–255 (Art-Net™) 001–256 (sACN)	Sets the universe
	Ip	-----	Sets the IP address in Manual mode
	SubMask	-----	Sets the Subnet Mask in Manual mode
Personality	Ethernet To DMX	NO	
		YES	
	Dmx Mode 34 CH	NO	Selects the 34-channel mode
		YES	
Dmx Mode 50 CH	NO	Selects the 50-channel mode	
	YES		
Settings	ControlMode	DMX	Sets the control protocol
		ArtNet	
		sACN	
		CRMX	
	Pan Reverse	NO	Normal pan
		YES	Reversed pan
	Tilt Reverse	NO	Normal tilt
		YES	Reversed tilt
	Screen Reverse	NO	Normal display
		YES	Inverted display
		AUTO	Automatic display orientation
	Pan Angle	540	540° pan range
		360	360° pan range
		180	180° pan range
	Tilt Angle	270	270° tilt range
		180	180° tilt range
		90	90° tilt range
	BL. O. P/T Move	NO	Do not black out while panning/tilting
		YES	Blackout while panning/tilting
	BL. O. Color Move	NO	Do not black out while color wheel moving
		YES	Blackout while color wheel moving
	BL. O. Gobo Move	NO	Do not black out while gobo wheels moving
		YES	Blackout while gobo wheels moving
	Lock Screen	NO	Lock the buttons
YES		Passcode: 0920	
Swap XY	NO	Do not swap pan and tilt	
	YES	Pan controls tilt, tilt controls pan	
WDMX Reset	NO	Do not reset WDMX	
	YES	Reset WDMX	

Main Level	Programming Levels		Description
Settings (cont.)	Backlight Timer	30S	Display turns off after 30 seconds
		1M	Display turns off after 1 minute
		5M	Display turns off after 5 minutes
		ON	Display stays on
	Loss of Data	Hold	Holds last signal received
		Close	Blacks out fixture
	Fans	Auto	Fan speed according to product temperature
		Full	Fan speed set on high
		ECO	Quiet mode
		TV25	Maintains LED output up to an ambient temperature of 77 °F (25 °C) (TV25) or 95 °F (35 °C) (TV35).
	Dimmer Curve	TV35	When using these fan modes, please set the PWM Options to 65,000Hz to prevent any possible harmonization noise.
		Linear	Set the dimmer curve
		Square	
		I Squa	
		SCurve	
	Linear2		
	PWM Option	600Hz	Sets the Pulse Width Modulation frequency
		2000Hz	
		15,000Hz	
		65,000Hz	
	LED POWER	64–255	Sets the power output of the LED
	Min Zoom Focus	NO	Enables/disables minimum zoom focus
		YES	
Preset Select	PRESET A	Recorded preset menu options	
	PRESET B		
	PRESET C		
Preset Sync	NO	Allows recorded preset menu options to be transferred to other Maverick Storm 3 Profile fixtures in the DMX daisy chain	
	YES		
USB Update	Update Me	Update firmware via USB C	
	Update Other		
Reset Function	Pan/Tilt	NO/YES	Reset individual functions or all functions from start-up
	Iris/Prism		
	Color/CMY/Blade		
	Gobo/Gobo Rotate		
	Frost/Animation		
All			
Factory Settings	NO	Reset to factory default settings	
	YES		

Main Level	Programming Levels		Description
Test	Auto Test		Auto test all functions
	Manual Test	Pan	000–255 Manually control and test all settings through the control panel
		Pan Fine	
		Tilt	
		Tilt Fine	
		P/T Speed	
		Dimmer	
		Dimmer Fine	
		Strobe	
		Virtual Shaking	
		Cyan	
		Magenta	
		Yellow	
		CTO	
		Color	
		Gobo	
		Gobo Rotate	
		Gobo Index	
		Gobo2	
		Animation	
		Animation Rotate	
		Blade 1-1	
		Blade 1-1 Fine	
		Blade 1-2	
		Blade 1-2 Fine	
		Blade 2-1	
		Blade 2-1 Fine	
		Blade 2-2	
		Blade 2-2 Fine	
		Blade 3-1	
		Blade 3-1 Fine	
		Blade 3-2	
Blade 3-2 Fine			
Blade 4-1			
Blade 4-1 Fine			
Blade 4-2			
Blade 4-2 Fine			
Blade Rotate			
Blade Rotate Fine			
Focus			
Focus Fine			
Focus Auto			
Zoom			
Zoom Fine			
Prism			
Prism Rotate			
Iris			

Main Level	Programming Levels		Description	
Test (cont.)	Manual Test (cont.)	Frost	000–255 Manually control and test all settings through the control panel (cont.)	
		CMY Macro		
		CMY Macro Speed		
		Control		
Information	Fixture Information	Ver	V1. 250523 Shows firmware version	
		Running Mode	--- Shows current running mode	
		DMX Address	--- Shows current starting address	
		Temperature	--- Shows current product temperature in °C	
		Fixture Hours	----- Shows number of hours product has been powered on	
		LED Hours	----- Shows number of hours the LED has been powered on	
		Ip	----'----' ----'----' Shows current IP address	
		SubMask	----'----' ----'----' Shows current Subnet Mask	
		MAC	--'--'-- --'--'-- Shows the MAC address	
		UID	----- ----- Shows the UID address	
	Fan Information	ZFAN1 Sp	----	Shows speed of fans in rpm
		ZFAN2 Sp	----	
		ZFAN3 Sp	----	
		ZFAN4 Sp	----	
		ZFAN5 Sp	----	
		ZFAN6 Sp	----	
		ZFAN7 Sp	----	
		ZFAN8 Sp	----	
		MFAN1 Sp	----	
		MFAN2 Sp	----	
AFAN1 Sp		----		
DFAN1 Sp		----		
DFAN2 Sp	----			
Error Information		-----	Shows any errors, or No Error!	

Main Level	Programming Levels		Description
Information (cont.)	Channel Information	Pan	---
		Pan Fine	
		Tilt	
		Tilt Fine	
		P/T Speed	
		Dimmer	
		Strobe	
		Virtual Shaking	
		Cyan	
		Magenta	
		Yellow	
		CTO	
		Color	
		Gobo	
		Gobo Rotate	
		Gobo2	
		Animation	
		Animation rotate	
		Blade 1-1	
		Blade 1-2	
		Blade 2-1	
		Blade 2-2	
		Blade 3-1	
		Blade 3-2	
		Blade 4-1	
		Blade 4-2	
		Blade Rotate	
		Focus	
		Zoom	
		Prism	
		Prism Rotate	
		Iris	
Frost			
Control			



When operating in Fan Mode: Off and Fan Mode: Silent, the product will become hotter to the touch than when using other fan modes. Use proper protective equipment to prevent burns. Keep a safe distance from flammable objects.

DMX Configuration

Use control configurations to operate the product with a DMX controller.

DMX Personalities

To set the DMX personality:

1. Go to the **Personality** main level.
2. Select the desired personality, from **DMX Mode 34 CH** or **DMX Mode 50 CH**.



- See the [Starting Address](#) section for the highest selectable starting address for each personality.
- Make sure that the starting addresses on the various products do not overlap due to the new personality setting.

Operation

Starting Address

Each product will respond to a unique starting address from the controller. All products with the same starting address will respond in unison. To set the starting address in DMX mode:

1. Go to the **DMX Address** main level.
2. Select the starting address (**001–512**).

Personality	Highest Address	Products per Universe
34 CH	479	15
50 CH	463	10

Control Configuration

Use control configurations to operate the product with a DMX, CRMX, Art-Net™, or sACN controller.

Network Setup

The Network Setup settings control the IP address and subnet mask of the product.

IP Mode

To choose how the IP address is set:

1. Go to the **Network Setup** main level.
2. Select the **IP Mode** option.
3. Select the desired IP mode, from **Manual** (to set a custom IP address), **DHCP** (the IP address is assigned by the connected network), or **Static** (the product uses a default, preset IP address).

Universe

The Art-Net™ and sACN control protocols require a universe address in addition to the starting address.

To assign a universe to the control mode when using Art-Net™ or sACN:

1. Go to the **Network Setup** main level.
2. Select the **Universe** option.
3. Select the universe (**0–255** for **ArtNet**, or **1–256** for **sACN**).

Manual IP Address

To set the IP address when the **IP Mode** is set to **Manual**:

1. Go to the **Network Setup** main level.
2. Select the **Ip** option.
3. Set the 4 values of the IP address from **000–255**.

Subnet Mask

To set the subnet mask:

1. Go to the **Network Setup** main level.
2. Select the **SubMask** option.
3. Set the 4 values of the subnet mask from **000–255**.

Ethernet to DMX

To set the **Ethernet to DMX** option:

1. Go to the **Network Setup** main level.
2. Select the **Ethernet to DMX** option.
3. Select from **NO** or **YES**.

DMX Channel Assignments and Values

Control Chart

Value	Percent/Setting	Value	Percent/Setting
000 ⇔ 007	No function	112 ⇔ 119	Color wheel reset
008 ⇔ 015	Blackout during pan/tilt	120 ⇔ 127	Gobo wheels reset
016 ⇔ 023	Blackout while color wheel is moving	128 ⇔ 131	CTB with gobo on
024 ⇔ 031	Blackout while gobo wheels are moving	132 ⇔ 135	CTB with gobo off
032 ⇔ 039	Blackout during pan/tilt/color wheel	136 ⇔ 143	Prism reset
040 ⇔ 047	Blackout during pan/tilt/gobo wheels	144 ⇔ 151	Blades reset
048 ⇔ 055	Blackout during pan/tilt/color wheel/ gobo wheels	152 ⇔ 159	All reset
056	No function	160 ⇔ 167	Iris reset
057	600 Hz PWM	168 ⇔ 175	Frost reset
058	2000 Hz PWM	176 ⇔ 183	Zoom reset
059	15000 Hz PWM	184 ⇔ 191	CMY/CTO reset
060	65000 Hz PWM	192 ⇔ 199	Fan mode ECO
061 ⇔ 063	No function	200 ⇔ 207	Fan mode Full
064	Linear dimmer curve	208 ⇔ 215	Fan mode Auto
065	Square dimmer curve	216 ⇔ 220	Fan mode TV25
066	I square dimmer curve	221 ⇔ 225	Fan mode TV35
067	Scurve dimmer curve	226 ⇔ 230	No function
068 ⇔ 075	No function	231 ⇔ 235	Pan/tilt swap on
076 ⇔ 080	Engage sun shield	236 ⇔ 240	Pan/tilt swap off
081 ⇔ 084	Disengage sun shield	241 ⇔ 245	Min Zoom Focus off
085 ⇔ 095	No function	246 ⇔ 250	Min Zoom Focus on
096 ⇔ 103	Pan reset	251 ⇔ 255	No function
104 ⇔ 111	Tilt reset		

50 CH / 34 CH

34CH	50CH	Function	Value	Percent/Setting
1	1	Pan	000 ⇔ 255	0–100%
2	2	Fine pan	000 ⇔ 255	Fine control (16-bit)
3	3	Tilt	000 ⇔ 255	0–100%
4	4	Fine tilt	000 ⇔ 255	Fine control (16-bit)
5	5	Pan/tilt speed	000 ⇔ 255	Fast to slow
6	6	Dimmer	000 ⇔ 255	0–100%
–	7	Fine dimmer	000 ⇔ 255	Fine control (16-bit)
7	8	Strobe	000 ⇔ 003	Off
			004 ⇔ 007	On
			008 ⇔ 076	Synchronized strobe, slow to fast
			077 ⇔ 145	Pulse strobe, slow to fast
			146 ⇔ 215	Random strobe, slow to fast
			216 ⇔ 255	On
8	9	Virtual shaking	000 ⇔ 001	No function
			002 ⇔ 128	Shaking effect, slow to fast
			129 ⇔ 255	Fade effect, slow to fast
9	10	Cyan	000 ⇔ 255	0–100%
10	11	Magenta	000 ⇔ 255	0–100%

Operation



34CH	50CH	Function	Value	Percent/Setting
11	12	Yellow	000 ⇔ 255	0–100%
12	13	CTO	000 ⇔ 255	0–100%
13	14	Color wheel (see Color Wheel)	000 ⇔ 006	Open
			007 ⇔ 013	Color 1 (red)
			014 ⇔ 020	Color 2 (orange)
			021 ⇔ 027	Color 3 (green)
			028 ⇔ 034	Color 4 (magenta)
			035 ⇔ 041	Color 5 (UV)
			042 ⇔ 048	Color 6 (CRI)
			049 ⇔ 059	Color 7 (CTB)
			060	Open
			61 ⇔ 187	Color wheel indexing
			188 ⇔ 219	Reverse color scroll, fast to slow
			220 ⇔ 223	Stop
			224 ⇔ 255	Color scroll, slow to fast
14	15	Gobo wheel 1 (see Gobo Wheels)	001 ⇔ 007	Open
			008 ⇔ 015	Gobo 1 (Pipes & Poles)
			016 ⇔ 023	Gobo 2 (Cookie Cutter)
			024 ⇔ 031	Gobo 3 (This Way)
			032 ⇔ 039	Gobo 4 (Fast Moves)
			040 ⇔ 047	Gobo 5 (Laser Rays)
			048 ⇔ 055	Gobo 6 (Limbo)
			056 ⇔ 063	Gobo 7 (Grate)
			064 ⇔ 071	Gobo 7 shaking, slow to fast
			072 ⇔ 079	Gobo 6 shaking, slow to fast
			080 ⇔ 087	Gobo 5 shaking, slow to fast
			088 ⇔ 095	Gobo 4 shaking, slow to fast
			096 ⇔ 103	Gobo 3 shaking, slow to fast
			104 ⇔ 111	Gobo 2 shaking, slow to fast
			112 ⇔ 119	Gobo 1 shaking, slow to fast
			120 ⇔ 127	Open
			128 ⇔ 191	Gobo scroll, slow to fast
			192 ⇔ 255	Reverse gobo scroll, slow to fast
15	16	Gobo wheel 1 rotate	000 ⇔ 063	Gobo index
			064 ⇔ 145	Clockwise rotation, fast to slow
			146 ⇔ 149	Stop
			150 ⇔ 231	Counterclockwise rotation, slow to fast
			232 ⇔ 255	Gobo bounce, short to long
–	17	Gobo 1 fine rotate	000 ⇔ 255	Fine control (16-bit)

34CH	50CH	Function	Value	Percent/Setting
16	18	Gobo wheel 2 (see Gobo Wheels)	001 ⇔ 005	Open
			006 ⇔ 011	Gobo 1 (Dots)
			012 ⇔ 017	Gobo 2 (Paperclip Party)
			018 ⇔ 023	Gobo 3 (Orbital)
			024 ⇔ 029	Gobo 4 (Dirty Dirt)
			030 ⇔ 035	Gobo 5 (Box Cutter)
			036 ⇔ 041	Gobo 6 (Crazy Turns)
			042 ⇔ 047	Gobo 7 (Hex Chem)
			048 ⇔ 053	Gobo 8 (Scribble)
			054 ⇔ 063	Gobo 9 (Aperture)
			064 ⇔ 069	Gobo 9 shaking, slow to fast
			070 ⇔ 075	Gobo 8 shaking, slow to fast
			076 ⇔ 081	Gobo 7 shaking, slow to fast
			082 ⇔ 087	Gobo 6 shaking, slow to fast
			088 ⇔ 093	Gobo 5 shaking, slow to fast
			094 ⇔ 099	Gobo 4 shaking, slow to fast
			100 ⇔ 105	Gobo 3 shaking, slow to fast
			106 ⇔ 111	Gobo 2 shaking, slow to fast
			112 ⇔ 117	Gobo 1 shaking, slow to fast
118 ⇔ 127	Open			
128 ⇔ 191	Gobo scroll, slow to fast			
192 ⇔ 255	Reverse gobo scroll, slow to fast			
17	19	Animation	000 ⇔ 255	Animation wheel
18	20	Animation rotate	000 ⇔ 124	Clockwise rotation, fast to slow
			125 ⇔ 130	Stop
			131 ⇔ 255	Counterclockwise rotation, slow to fast
19	21	Blade 1-1	000 ⇔ 255	0–100%
–	22	Fine blade 1-1	000 ⇔ 255	Fine control (16-bit)
20	23	Blade 1-2	000 ⇔ 255	0–100%
–	24	Fine blade 1-2	000 ⇔ 255	Fine control (16-bit)
21	25	Blade 2-1	000 ⇔ 255	0–100%
–	26	Fine blade 2-1	000 ⇔ 255	Fine control (16-bit)
22	27	Blade 2-2	000 ⇔ 255	0–100%
–	28	Fine blade 2-2	000 ⇔ 255	Fine control (16-bit)
23	29	Blade 3-1	000 ⇔ 255	0–100%
–	30	Fine blade 3-1	000 ⇔ 255	Fine control (16-bit)
24	31	Blade 3-2	000 ⇔ 255	0–100%
–	32	Fine blade 3-2	000 ⇔ 255	Fine control (16-bit)
25	33	Blade 4-1	000 ⇔ 255	0–100%
–	34	Fine blade 4-1	000 ⇔ 255	Fine control (16-bit)
26	35	Blade 4-2	000 ⇔ 255	0–100%
–	36	Fine blade 4-2	000 ⇔ 255	Fine control (16-bit)
27	37	Blade rotation	000 ⇔ 255	0–100%
–	38	Fine blade rotation	000 ⇔ 255	Fine control (16-bit)
28	39	Focus	000 ⇔ 255	0–100%
–	40	Fine focus	000 ⇔ 255	Fine control (16-bit)

Operation

34CH	50CH	Function	Value	Percent/Setting
-	41	Auto focus	000 ⇔ 010	No function
			011 ⇔ 030	0-5 meters
			031 ⇔ 050	6 meters
			051 ⇔ 070	7 meters
			071 ⇔ 090	8 meters
			091 ⇔ 110	9 meters
			111 ⇔ 130	10 meters
			131 ⇔ 150	12.5 meters
			151 ⇔ 170	15 meters
			171 ⇔ 190	17.5 meters
			191 ⇔ 210	20-60 meters
211 ⇔ 255	Auto detect distance			
29	42	Zoom	000 ⇔ 255	Wide to narrow
-	43	Zoom fine	000 ⇔ 255	Fine control (16-bit)
30	44	Prism	000 ⇔ 004	No function
			005 ⇔ 255	Prism insert
31	45	Prism rotate	000 ⇔ 127	Prism index
			128 ⇔ 189	Clockwise rotation, fast to slow
			190 ⇔ 193	Stop
			194 ⇔ 255	Counterclockwise rotation, slow to fast
32	46	Iris	000 ⇔ 063	Open to close
			064 ⇔ 127	Auto change, slow to fast
			128 ⇔ 191	Slow open, fast close, slow to fast
			192 ⇔ 255	Fast open, slow close, slow to fast
33	47	Frost	000 ⇔ 255	0–100%
-	48	CMY macro	000 ⇔ 009	No function
			010 ⇔ 255	CMY macro
-	49	CMY macro speed	000 ⇔ 255	Fast to slow
34	50	Control (3 second hold)	000 ⇔ 255	See Control Chart

Settings Configuration

Pan Reverse

To set the orientation of the pan:

1. Go to the **Settings** main level.
2. Select the **Pan Reverse** option.
3. Select from **NO** (normal pan motion), or **YES** (reversed pan motion).

Tilt Reverse

To set the orientation of the tilt:

1. Go to the **Settings** main level.
2. Select the **Tilt Reverse** option.
3. Select from **NO** (normal tilt motion), or **YES** (reversed tilt motion).

Screen Reverse

To set the orientation of the display:

1. Go to the **Settings** main level.
2. Select the **Screen Reverse** option.
3. Select from **NO** (right-side up), **YES** (upside-down), or **AUTO** (automatic orientation).

Pan Angle

To set the maximum angle of the pan:

1. Go to the **Settings** main level.
2. Select the **Pan Angle** option.
3. Select from **540** (540°), **360** (360°), or **180** (180°).

Tilt Angle

To set the maximum angle of the tilt:

1. Go to the **Settings** main level.
2. Select the **Tilt Angle** option.
3. Select from **270** (260°), **180** (180°), or **090** (90°).

Black out on Movement

To set the product to black out while the pan/tilt, color wheel, or gobo wheels are moving:

1. Go to the **Settings** main level.
2. Select from the **BL. O. P/T Move** (black out on pan/tilt movement), **BL. O. ColorMove** (black out on color wheel movement), or **BL. O. GoboMove** (black out on gobo wheel movement) options.
3. Select from **NO** or **YES**.

Swap Pan and Tilt

To swap the controls for the pan and tilt:

1. Go to the **Settings** main level.
2. Select the **Swap XY** option.
3. Select from **NO** (pan controls pan, tilt controls tilt) or **YES** (pan controls tilt, tilt controls pan).

CRMX Reset

To reset the CRMX connection:

1. Go to the **Settings** main level.
2. Select the **CRMX Reset** option.
3. Select from **NO** or **YES**.

Display Backlight

To set how long the display will stay lit without activity:

1. Go to the **Settings** main level.
2. Select the **Backlight Timer** main level.
3. Select from **30S** (10 seconds), **1M** (1 minute), **5M** (5 minutes), or **ON**.

Loss of Data

To select how the product will respond to a loss of the control signal:

1. Go to the **Settings** main level.
2. Select the **Loss of Data** option.
3. Select from **Hold** (holds last signal received) or **Close** (blacks out fixture).

Fan Mode

To set the fan speed mode:

1. Go to the **Settings** main level.
2. Select the **Fans** option.
3. Select the fan mode, from **Auto** (fan speed adjusts to product temperature), **Full** (fan speed at maximum), **ECO** (quiet mode), **TV25** (maintains LED output up to an ambient temperature of 77 °F [25 °C]), or **TV35** (maintains LED output up to an ambient temperature of 95 °F [35 °C]).



When using the TV25 or TV35 fan mode, please set the PWM Options ([Pulse Width Modulation](#)) to 65,000Hz to prevent any harmonization noise.

Operation

Dimmer Curve

To set the dimmer curve:

1. Go to the **Settings** main level.
2. Select the **Dimmer Curve** option.
3. Select the dimmer curve, from **Linear**, **Square**, **I Squa**, **SCurve** or **Linear2**.

Pulse Width Modulation

To adjust the frequency of the pulse width modulation:

1. Go to the **Settings** main level.
2. Select the **PWM Option** option.
3. Select the frequency, from **600Hz**, **2000Hz**, **15,000Hz** or **65,000Hz**.

LED Power

To set the power of each LED color:

1. Go to the **Settings** main level.
2. Select the **LED POWER** option.
3. Set the LED power from **64–255**.

Minimum Zoom Focus

To enable or disable the Min Zoom Focus function:

1. Go to the **Settings** main level.
2. Select the **Min Zoom Focus** option.
3. Select **NO** (manual independent zoom control) or **YES** (focus adjusts depending on zoom setting).

Preset Selection

To select a preset configuration of menu options:

1. Go to the **Settings** main level.
2. Select the **Preset Select** option.
3. Select from **PRESET A** (default), **PRESET B**, or **PRESET C**.



- **Changes to settings automatically save to the currently selected Preset.**
- **If no Preset has been selected, changes to settings save to PRESET A.**
- **After selecting a Preset, the product will restart.**

Preset Synchronization

To transfer saved Presets from one Maverick Storm 3 Profile to another:

1. Connect the Maverick Storm 3 Profile products to receive the Presets by a DMX daisy chain.
2. Make the Maverick Storm 3 Profile with the Presets to transfer the first in the DMX daisy chain.
3. Power on all of the products.
4. Set all of the products to a [Control Options](#) other than **CR MX**. (**DMX**, **ArtNet**, or **sACN**)
5. On the Maverick Storm 3 Profile with the Presets, go to the **Settings** main level.
6. Select the **Preset Sync** option.
7. Select **NO** (to cancel) or **YES** (to transfer the Presets to the connected products).



- **All menu configurations are transferred except for the IP address.**
- **ONLY connect Maverick Storm 3 Profile products for this function!**

Reset Function

To reset specific functions or the entire product:

1. Go to the **Settings** main level.
2. Select the **Reset Function** option.
3. Select the functions to reset, from **Pan/Tilt**, **Iris/Prism**, **Color/CMY/Blade**, **Gobo/Gobo Rotate**, **Frost/Animation**, or **All**.
4. Select **NO** (to cancel) or **YES** (to reset the selected functions).

Factory Reset

To reset the product to factory settings:

1. Go to the **Settings** main level.
2. Select the **Factory Reset** option.
3. Select **NO** (to cancel) or **YES** (to reset the product configuration).

Test Mode

Auto Test

To have the Maverick Storm 3 Profile automatically test all functions one after the other:

1. Go to the **Test** main level.
2. Select the **Auto Test** option.

Manual Test

To manually test an individual function of the Maverick Storm 3 Profile:

1. Go to the **Test** main level.
2. Select the **Manual Test** option.
3. Select a function to test, from **Pan, Pan Fine, Tilt, Tilt Fine, P/T Speed, Dimmer, Dimmer Fine, Strobe, Virtual Shaking, Cyan, Magenta, Yellow, CTO, Color, Gobo, Gobo Rotate, Gobo Index, Gobo2, Animation, Animation Rotate, Blade1-1, Blade1-1 Fine, Blade1-2, Blade1-2 Fine, Blade2-1, Blade2-1 Fine, Blade2-2, Blade2-2 Fine, Blade3-1, Blade3-1 Fine, Blade3-2, Blade3-2 Fine, Blade4-1, Blade4-1 Fine, Blade4-2, Blade4-2 Fine, Blade Rotate, Blade. Rota Fine, Focus, Focus Fine, Focus Auto, Zoom, Zoom Fine, Prism, Prism Rotate, Iris, Frost, CMY Macro, CMY Macro Speed, or Control.**
4. Increase or decrease the value of the selected function from **0–255** to test it.

System Information

The information section of the menu displays statistics and the current status of the product's various functions. To view this information:

1. Go to the **Information** main level.
2. Select from the **Fixture Information, Fan Information, Error Information, or Channel Information** options.
3. Use **<UP>** and **<DOWN>** to view all information.

Zero Adjust Mode

The Zero Adjust Mode provides fine adjustments for the home position of every moving part in the optical path as well as the pan and tilt movements. To adjust these options and prevent borders showing or reduction of the light output:

1. From the main level screen, press and hold **<MENU>** until the passcode screen appears.
2. Enter the passcode: **0920** and press **<ENTER>**.
3. Select the "zero" position to adjust, from **PAN, TILT, COLOR, GOBO, GOBO ROTATE, GOBO2, ANIMATION, FOCUS-GOBO, FOCUS-GOBO2, ZOOM, PRISM, IRIS, FROST, Light Block, CYAN, MAGENTA, YELLOW, CTO, BLADE1-1, BLADE1-2, BLADE2-1, BLADE2-2, BLADE3-1, BLADE3-2, BLADE4-1, BLADE4-2, BLADE ROTATE, DIMMER1, DIMMER2, DIMMER3, DIMMER4, MAC4, MAC5, MAC6, RDM ID4, RDM ID5, or RDM ID6.**
4. Adjust the "zero" position for the selected function from **000–255**.

Operation

Web Server

The Maverick Storm 3 Profile Web Server can be accessed by any computer on the same network as the product. It allows network access to system information, settings such as control protocol and starting address, color output testing, and the ability to change the Web Server password.

1. Connect the product to a Windows computer with a network cable.
2. On the computer, set the IP address of the new network to have the same first 3 digits as the IP address of the product.
3. Enter the IP address of the product into the URL bar of a web browser on the computer.
4. Enter both the User Name and Password as **admin** to log in.

Home

The Web Server Home page displays the details of all available control personalities and the technical specifications for the Maverick Storm 3 Profile.

Settings

The Web Server Settings page provides options for control. From the drop-down menus, the Protocol, Universe, Start Address, IP Address, Ethernet to DMX, Personality, Dimmer Curve, Dimmer Mode, and PWM Frequency can all be edited. Click **Save Settings** to send the new configuration to the product.

Output

On the Web Server Output page, an output test of the product's LEDs can be performed, by either editing the values of each LED manually (by typing the number or moving the fader), or by selecting a sample color. The page will show the current output color on the bottom left.

Security

The Web Server Security page gives the option to change the password to the connected product's web server. Enter the old password (**admin**, by default) and the new password twice, then click **Save Settings** to change the password.

Error Codes

See the table below for error codes and recommended solutions:

Error Code	Possible Reason	Potential Solution
AFAN1	A Fan 1 is damaged	Replace A fan 1
	Fan wires have poor connection	Check fan wire connection
BladeR	Framing shutter error	Check connection of module
		Make sure nothing is blocking movement
		Factory reset
		Software update
COLOR	Color wheel	Check connection of module
		Make sure nothing is blocking movement
		Factory reset
		Software update
CPU-B	The pan/tilt driver PCB is damaged	Replace the pan/tilt driver board
	CPU-B software upload failed	Re-upload the CPU-B software
CPU-C	The gobo/color motor driver PCB is damaged	Replace the gobo/color motor driver PCB
	CPU-C software upload failed	Re-upload the CPU-C software
CPU-D	The zoom/focus motor driver PCB is damaged	Replace the zoom/focus motor driver PCB
	CPU-D software upload failed	Re-upload the CPU-D software
CPU-E	The CMY motor driver PCB is damaged	Replace the CMY motor driver PCB
	CPU-E software upload failed	Re-upload the CPU-E software
CYAN	Sensor board is damaged	Replace the cyan sensor board
	The magnetic rod of the cyan sensor board is dropped or installed upside down	Check the magnetic rod
DFAN1	DFan 1 is damaged	Replace Dfan 1
	DFan wires have poor connection	Check fan wire connection
DFAN2	DFan 2 is damaged	Replace Dfan 2
	DFan wires have poor connection	Check fan wire connection
Focus	Sensor board is damaged	Replace the focus sensor board
	The magnetic rod of the focus sensor board is dropped or installed upside down	Check the magnetic rod
Gobo	Sensor board is damaged	Replace the gobo sensor board
	The magnetic rod of the gobo sensor board is dropped or installed upside down	Check the magnetic rod
Gobo.R	Sensor board is damaged	Replace the gobo rotation sensor board
	The magnetic rod of the gobo rotation sensor board is dropped or installed upside down	Check the magnetic rod
Gobo2	Sensor board is damaged	Replace the gobo2 sensor board
	The magnetic rod of the gobo2 sensor board is dropped or installed upside down	Check the magnetic rod
LIGHT BLOCK	Sunshield error	Check to ensure that the sunshield has moved out of the light path
		Check motor

Error Code	Possible Reason	Potential Solution
LED_HOT	Overheated LED	Do a factory reset
		Update software
		Check connections
		Check fan functions
MAGENTA	Sensor board is damaged	Replace the magenta sensor board
	The magnetic rod of the magenta sensor board is dropped or installed upside down	Check the magnetic rod
MFan1	M Fan 1 is damaged	Replace M fan 1
	Fan wires have poor connection	Check fan wire connection
MFan2	M Fan 2 is damaged	Replace M fan 2
	Fan wires have poor connection	Check fan wire connection
Prism	Prism sensor board is damaged	Replace the prism sensor board
	The magnetic rod of the prism sensor board is dropped or installed upside down	Check the magnetic rod
R-OPEN	Thermistor open	Do a factory reset
		Update software
		Check connection
		Replace thermistor
R-SHORT	Thermistor short	Do a factory reset
		Update software
		Check connection
		Replace thermistor
X_cm	Pan magnetic locating board is damaged	Replace the pan magnetic locating board
	Pan/tilt driver board is damaged	Replace the pan/tilt driver board
X_op	Pan optocoupler board is damaged	Replace the pan optocoupler board
	Pan/tilt driver board is damaged	Replace the pan/tilt driver board
Y_cm	Tilt magnetic locating board is damaged	Replace the tilt magnetic locating board
	Pan/tilt driver board is damaged	Replace the pan/tilt driver board
Y_op	Tilt optocoupler board is damaged	Replace the tilt optocoupler board
	Pan/tilt driver board is damaged	Replace the pan/tilt driver board
YELLOW	Sensor board is damaged	Replace the yellow sensor board
	The magnetic rod of the yellow sensor board is dropped or installed upside down	Check the magnetic rod
Zoom	Sensor board is damaged	Replace the zoom sensor board
	The magnetic rod of the zoom sensor board is dropped or installed upside down	Check the magnetic rod
ZFan1	Z Fan 1 is damaged	Replace Z fan 1
	Fan wires have poor connection	Check fan wire connection
ZFan2	Z Fan 2 is damaged	Replace Z fan 2
	Fan wires have poor connection	Check fan wire connection
ZFan3	Z Fan is damaged	Replace Z fan 3
	Fan wires have poor connection	Check fan wire connection

Error Code	Possible Reason	Potential Solution
ZFan4	Z Fan 4 is damaged	Replace Z fan 4
	Fan wires have poor connection	Check fan wire connection
ZFan5	Z Fan 5 is damaged	Replace Z fan 5
	Fan wires have poor connection	Check fan wire connection
ZFan6	Z Fan 6is damaged	Replace Z fan 6
	Fan wires have poor connection	Check fan wire connection
ZFan7	Z Fan 7is damaged	Replace Z fan 7
	Fan wires have poor connection	Check fan wire connection
ZFan8	Z Fan 8is damaged	Replace Z fan 8
	Fan wires have poor connection	Check fan wire connection

5. Maintenance

Product Maintenance

Dust build-up reduces light output performance and can cause overheating. This can lead to reduction of the light source's life and/or mechanical wear. To maintain optimum performance and minimize wear, clean each lighting product at least twice a month. However, be aware that usage and environmental conditions could be contributing factors to increase the cleaning frequency.

To clean the product, follow the instructions below:

1. Unplug the product from power.
2. Wait until the product is at room temperature.
3. Use a vacuum (or dry compressed air) and a soft brush to remove dust collected on the external surface/vents.
4. Clean all transparent surfaces with a mild soap solution, ammonia-free glass cleaner, or isopropyl alcohol.
5. Apply the solution directly to a soft, lint free cotton cloth or a lens cleaning tissue.
6. Softly drag any dirt or grime to the outside of the transparent surface.
7. Gently polish the transparent surfaces until they are free of haze and lint.



Always dry the transparent surfaces carefully after cleaning them.



Dry off this product before storing it in the case. Failure to do so may result in deterioration of the product's housing.



Do not spin the cooling fans with compressed air. Damage may result.

Torque Measurements

To maintain the IP rating when reassembling the product, use the given torque measurements for each of the following screws and bolts:

Fixture Parts	Torque Rating (Kgf.cm)	Torque Rating (lbf.in)
Screws inside feet	10.1	8.7
Base screws around outside (not the feet)	16.3	14.1
Base screws in middle	35.6	30.8
Omega bracket holder	12.2	10.6
Front and rear base cover	20.3	17.6
Screws around power and data ports	3.5	3
Fuse	6.1	5.2
Center of yoke plate	15.2	13.1
Arm cover screws	25.4	22
Allen Key screws holding in front lens cover	10.1	8.7

Vacuum Test Measurements

Use the IP Tester from Chauvet Professional to ensure the product has been reassembled correctly by following the information below:

Parameters	Values
Method	Positive
Test pressure	2.18 kPa
Test duration	60 seconds
PASS state leak pressure	<0.02 kPa

Gobo Maintenance

To ensure optimal operation, 1) inspect and 2) clean gobos every four months. More frequent maintenance may be necessary if usage is higher.

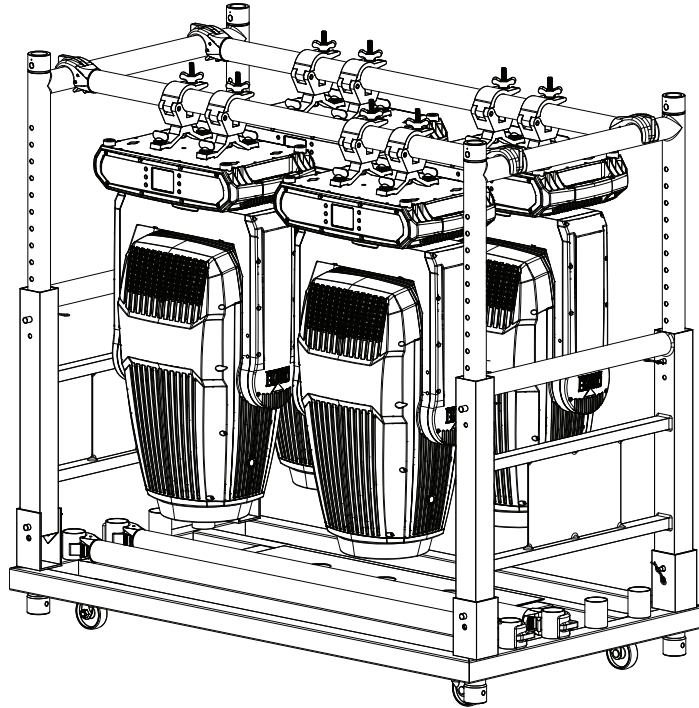
To inspect, remove each gobo holder and check if:

- The holders are clean (free of dirt, grime, or gunk).
- The gobos are properly installed in the holders.
- All the bearings are in place.
- The holders are rotating freely.

To clean the gobos and the gobo holder, follow the instructions below:

1. Remove the gobos from the holder.
2. Clean the gobos with a soft, lint-free cotton cloth. Use an ammonia-free glass cleaner sprayed to a piece of lint-free cotton cloth to clean glass gobos.
3. Submerge the gobo holder (without the gobo installed) in a container with a liquid lubricant (i.e., WD40) and let it rest for a couple of minutes.
4. Shake the container with the gobo holder inside to help release/loosen any gunk/grime/dirt.
5. Take the gobo holder out of the container and clean it using a small nylon brush.
6. Wipe off all the lubricant from the gobo holder using a piece of lint-free cotton cloth.
7. Apply a small coat of synthetic oil (i.e., Liquid Bearings) to the bearings and rotate it thoroughly in both directions (needle tip applicator recommended). Make sure the gobo holder is rotating freely and is not making any abnormal noise.
8. Reinstall the gobos in the gobo holder. Make sure the gobos are in the correct positions.
9. Reinstall the gobo holder in the unit.

Transporting on Truss or Racks



When transporting fixtures in pre-rigged truss and transportation racks, mount fixtures in the vertical position with the lenses facing down and the pan and tilt locks engaged. This is to prevent undue stress on the tilt locks and limit the amount of off-axis bounce on internal components.

6. Technical Specifications

Dimensions and Weight

Length	Width	Height	Weight
15.27 in (388 mm)	10.5 in (267 mm)	29.6 in (754 mm)	69 lb (31.3 kg)

Note: Dimensions in inches are rounded.

Power

Power Supply Type	Range	Voltage Selection
Switching (internal)	100 to 240 VAC, 50/60 Hz	Auto-ranging

Parameter	100 V, 60 Hz	120 V, 60 Hz	208 V, 60 Hz	230 V, 50 Hz	240 V, 50 Hz
Consumption	1000 W	1020 W	1020 W	1010 W	1000 W
Operating Current	10 A	8.5 A	4.82 A	4.39 A	4.16 A
Fuse	F15 A, 250 V	F15 A, 250 V	F15 A, 250 V	F15 A, 250 V	F15 A, 250 V

Power I/O	U.S./Worldwide	UK/Europe
Power Input Connector	Seetronic Powerkon IP65	Seetronic Powerkon IP65
Power Cable plug	Edison	Bare ended

Light Source

Type	Color	Quantity	Power	Current	Lifespan
LED	Cool White	1	620 W	4.6 A	50,000 hours

Photometrics

Color Temperature at Full	CRI	CRI w / Filter
7062 K	72.3	90.2

Beam Angle	Field Angle	Cutoff Angle	Zoom Range
3.5° to 51.5°	4.1° to 54.3°	4.3° to 57.7°	3.5° to 57.7°

Illuminance @ 5 m (Narrow)	Illuminance @ 5 m (Wide)	Lumens (Source)	Lumens (Output)
165,664 lux	2,173 lux	54,000 lux	34,500 lm

CQS	CQS (CRI filter)	TLCI	TLCI (CRI filter)
73	89.2	49	79

CTO Color Temperature at Full	CTB Color Temperature
3122K	8307K

Acoustic

Parameter	Idle	Max	ECO	Auto	Full	TV25	TV35
Sound pressure level @1m	30.0 dBA	41.2 dBA	40.6 dBA	41.1 dBA	51.5 dBA	40.6 dBA	40.6 dBA

Thermal

Maximum External Temperature	Cooling System
113 °F (45 °C)	Fan-assisted Convection

Control

DMX I/O Connector	Art-Net I/O Connector	Channel Range
5-pin XLR	Seetronic RJ45	34 or 50

Ordering

Product Name	Item Name	Item Code	UPC Number
Maverick Storm 3 Profile	MAVERICKSTORM3PROFILE	08011925	781462222734



Contact Us

General Information	Technical Support
Chauvet World Headquarters	
Address: 3360 Davie Rd., Suite 509 Davie, FL 33314 Voice: (954) 577-4455 Fax: (954) 929-5560 Toll Free: (800) 762-1084	Voice: (844) 393-7575 Fax: (954) 756-8015 Email: chauvetcs@chauvetlighting.com Website: www.chauvetprofessional.com
Chauvet U.K.	
Address: Pod 1 EVO Park Little Oak Drive, Sherwood Park Nottinghamshire, NG15 0EB UK Voice: +44 (0) 1773 511115 Fax: +44 (0) 1773 511110	Email: UKtech@chauvetlighting.eu Website: www.chauvetprofessional.eu
Chauvet Benelux	
Address: Vaartlaan 9 9800 Deinze Belgium Voice: +32 9 388 93 97	Email: BNLtech@chauvetlighting.eu Website: www.chauvetprofessional.eu
Chauvet France	
Address: 3, Rue Ampère 91380 Chilly-Mazarin France Voice: +33 1 78 85 33 59	Email: FRtech@chauvetlighting.fr Website: www.chauvetprofessional.eu
Chauvet Germany	
Address: Bruno-Bürgel-Str. 11 28759 Bremen Germany Voice: +49 421 62 60 20	Email: DEtech@chauvetlighting.de Website: www.chauvetprofessional.eu
Chauvet Mexico	
Address: Av. de las Partidas 34 - 3B (Entrance by Calle 2) Zona Industrial Lerma Lerma, Edo. de México, CP 52000 Voice: +52 (728) 690-2010	Email: servicio@chauvet.com.mx Website: www.chauvetprofessional.mx

Warranty & Returns

For warranty terms and conditions and return information, please visit our website.

For customers in the United States and Mexico: www.chauvetlighting.com/warranty-registration.

For customers in the United Kingdom, Republic of Ireland, Belgium, the Netherlands, Luxembourg, France, and Germany: www.chauvetlighting.eu/warranty-registration.