

# MAVERICK FORCE X SPOT User Manual



Model ID: MAVERICKFORCEXSPOT

## Edition Notes

The Maverick Force X Spot User Manual includes a description, safety precautions, installation, programming, operation, and maintenance instructions for the Maverick Force X Spot as of the release date of this edition.

## Trademarks

Chauvet, Chauvet Professional, the Chauvet logo, and Maverick are registered trademarks or trademarks of Chauvet & Sons, LLC (d/b/a Chauvet and Chauvet Lighting) in the United States and other countries. Other company and product names and logos referred to herein may be trademarks of their respective companies.

## Copyright Notice

The works of authorship contained in this manual, including, but not limited to, all designs, text, and images are owned by Chauvet.

© Copyright 2026 Chauvet & Sons, LLC. All rights reserved.

Electronically published by Chauvet in the United States of America.

## Manual Use

Chauvet authorizes its customers to download and print this manual for professional information purposes only. Chauvet expressly prohibits the usage, copy, storage, distribution, modification, or printing of this manual or its content for any other purpose without written consent from Chauvet.

## Document Printing

For best results, print this document in color, on letter size paper (8.5 x 11 in), double-sided. If using A4 paper (210 x 297 mm), configure the printer to scale the content accordingly.

## Intended Audience

Any person installing, operating, and/or maintaining this product should completely read through the guide that shipped with the product, as well as this manual, before installing, operating, or maintaining this product.

## Disclaimer

Chauvet believes that the information contained in this manual is accurate in all respects. However, Chauvet assumes no responsibility and specifically disclaims any and all liability to any party for any loss, damage, or disruption caused by any errors or omissions in this document, whether such errors or omissions result from negligence, accident, or any other cause. Chauvet reserves the right to revise the content of this document without any obligation to notify any person or company of such revision. However, Chauvet has no obligation to make, and does not commit to make, any such revisions.

## Document Revision

Go to [www.chauvetprofessional.com](http://www.chauvetprofessional.com) for the latest version.

Revision	Date	Description
5	06/2026	Added update photometrics data Tech. Specs.

**TABLE OF CONTENTS**

- 1. Before You Begin** ..... 1
  - What Is Included ..... 1
  - Claims ..... 1
  - Text Conventions ..... 1
  - Symbols ..... 1
  - Safety Notes..... 2
  - FCC Statement of Compliance ..... 3
  - RF Exposure Warning for North America and Australia..... 3
  - Expected LED Lifespan..... 3
- 2. Introduction** ..... 4
  - Features ..... 4
  - Product Overview ..... 5
  - Product Dimensions ..... 6
- 3. Setup** ..... 7
  - AC Power ..... 7
    - AC Plug ..... 7
    - Fuse Replacement ..... 7
    - Power Linking..... 7
  - Signal Connections ..... 7
    - Control Personalities ..... 7
    - DMX Linking ..... 8
      - Remote Device Management ..... 8
    - Art-Net™ Connection ..... 8
    - sACN Connection..... 8
    - Ethernet Connection Diagram ..... 8
    - Lumenradio CRMX™ Connection ..... 9
      - Initial Setup ..... 9
      - Configuration..... 9
      - Product Pairing ..... 9
  - USB Software Update ..... 9
  - Mounting ..... 10
    - Orientation..... 10
    - Rigging ..... 10
    - Procedure..... 10
  - Color Wheel ..... 11
  - Gobo Wheels ..... 12
  - Gobo Dimensions..... 12
  - Gobo Replacement ..... 13
    - Procedure..... 13
    - Gobo Replacement Diagrams ..... 13
- 4. Operation** ..... 14
  - Control Panel Description ..... 14
  - Control Options ..... 14
  - Programming..... 14
    - Battery Powered Display ..... 14
  - Home Screen ..... 14

Control Panel Lock.....	14
Passcode .....	14
Menu Map .....	15
DMX Configuration.....	18
DMX Personalities.....	18
Starting Address.....	18
Control Mode.....	18
Universe .....	18
Network Setup.....	18
IP Mode.....	18
Manual IP Address.....	19
Subnet Mask.....	19
Ethernet to DMX .....	19
DMX Channel Assignments and Values .....	19
Settings Configuration.....	23
Pan Reverse .....	23
Tilt Reverse .....	23
Screen Reverse .....	23
Pan Angle.....	23
Tilt Angle .....	23
Black out on Movement.....	23
Swap Pan and Tilt.....	23
CRM <sup>TM</sup> Reset.....	23
Display Backlight Timer.....	23
Loss of Data .....	24
Fan Mode .....	24
Dimmer Curve .....	24
Pulse Width Modulation .....	24
LED Power .....	24
Minimum Zoom Focus.....	24
Preset Selection .....	24
Preset Synchronization .....	25
Reset Function .....	25
Factory Reset.....	25
Test Mode .....	25
Auto Test.....	25
Manual Test .....	25
System Information .....	25
Zero Adjust Mode .....	26
Web Server .....	26
Error Codes.....	27
<b>5. Maintenance.....</b>	<b>29</b>
Product Maintenance .....	29
Gobo Maintenance.....	29
Transporting on Truss or Racks.....	30
<b>6. Technical Specifications .....</b>	<b>31</b>
<b>Contact Us .....</b>	<b>32</b>
Warranty & Returns.....	32

## Before You Begin

# 1. Before You Begin

## What Is Included

- Maverick Force X Spot
- Seetronic Powerkon IP65 power cable
- 2 Omega brackets with mounting hardware
- Quick Reference Guide

## Claims

Carefully unpack the product immediately and check the container to make sure all the parts are in the package and are in good condition.




If the box or the contents (the product and included accessories) appear damaged from shipping, or show signs of mishandling, notify the carrier immediately, not Chauvet. Failure to report damage to the carrier immediately may invalidate a claim. In addition, keep the box and contents for inspection.

For other issues, such as missing components or parts, damage not related to shipping, or concealed damage, file a claim with Chauvet within 7 days of delivery.

## Text Conventions

Convention	Meaning
<b>1–512</b>	A range of values
<b>50/60</b>	A set of values of which only one can be chosen
<b>Settings</b>	A menu option not to be modified
<b>&lt;ENTER&gt;</b>	A key to be pressed on the product's control panel

## Symbols

Symbol	Meaning
	Critical installation, configuration, or operation information. Not following these instructions may make the product not work, cause damage to the product, or cause harm to the operator.
	Important installation or configuration information. The product may not function correctly if this information is not used.
	Useful information.

The term “DMX” used throughout this manual refers to the USITT DMX512-A digital data transmission protocol.



**Connection of the control signal: DMX line**

- The product has XLR sockets for DMX input and output.
- **Notice:** This control circuit is isolated and belongs to the Class 2 data port.

The control circuit has a cumulative leakage current of less than 3.5 mA.

## Safety Notes

Read all the following safety notes before working with this product. These notes contain important information about the installation, usage, and maintenance of this product.



**This product contains no user-serviceable parts. Any reference to servicing in this User Manual will only apply to properly trained, certified technicians. Do not open the housing or attempt any repairs.**



**All applicable local codes and regulations apply to proper installation of this product.**

- The luminaire is intended for professional use only.
- The luminaire should be positioned so that prolonged staring into the luminaire at a distance closer than 84.3 ft (25.7 m) is not expected.
- If the external flexible cable or cord of this luminaire is damaged, it shall be replaced by a special cord or cord exclusively available from the manufacturer or its service agent.
- The light source contained in this luminaire shall only be replaced by the manufacturer or its service agent or a similar qualified person.
- **CAUTION:**
  - This product's housing may be hot when operating. Mount this product in a location with adequate ventilation, at least 20 in (50 cm) from adjacent surfaces.
  - When transferring the product from extreme temperature environments, (e.g., cold truck to warm humid ballroom) condensation may form on the internal electronics of the product. To avoid causing a failure, allow the product to fully acclimate to the surrounding environment before connecting it to power.
  - Flashing light is known to trigger epileptic seizures. User must comply with local laws regarding notification of strobe use.
- **ALWAYS:**
  - Disconnect from power before cleaning the product or replacing the fuse.
  - Replace the fuse with the same type and rating.
  - Use a safety cable when mounting this product overhead.
  - Connect this product to a grounded and protected circuit.
- **DO NOT:**
  - Open this product. It contains no user-serviceable parts.
  - Look at the light source when the product is on.
  - Leave any flammable material within 100 cm of this product while operating or connected to power.
  - Connect this product to a dimmer or rheostat.
  - Operate this product if the housing, lenses, or cables appear damaged.
  - Operate this product outdoors or in any location where dust, excessive heat, water, or humidity may affect it (adhere to standards for the published IP rating).
- **ONLY** use the hanging/mounting bracket to carry this product.
- The maximum ambient temperature is 113 °F (45 °C). Do not operate this product at higher temperatures.
- The minimum ambient temperature is -4°F (-20°C). Do not start the product at lower temperatures.
- To eliminate unnecessary wear and improve its lifespan, during periods of non-use completely disconnect the product from power via breaker or by unplugging it.
- In the event of a serious operating problem, stop using immediately.



**If this Chauvet product requires service, contact Chauvet Technical Support.**

## Before You Begin

---

### FCC Statement of Compliance

This device complies with Part 15 Part B of the FCC rules. Operation is subject to the following two conditions:

1. This device may not cause harmful interference, and
2. This device must accept any interference received, including interference that may cause undesired operation.

This equipment has been tested and found to comply with the limits for a Class B digital device, pursuant to Part 15 of the FCC Rules. These limits are designed to provide reasonable protection against harmful interference in a residential installation. This equipment generates uses and can radiate radio frequency energy and, if not installed and used in accordance with the instructions, may cause harmful interference to radio communications. However, there is no guarantee that interference will not occur in a particular installation. If this equipment does cause harmful interference to radio or television reception, which can be determined by turning the equipment off and on, the user is encouraged to try to correct the interference by one or more of the following measures:

- Reorient or relocate the receiving antenna.
- Increase the separation between the equipment and receiver.
- Connect the equipment into an outlet on a circuit different from that to which the receiver is connected.
- Consult the dealer or an experienced radio/TV technician for help.

Any changes or modifications not expressly approved by the party responsible for compliance could void the user's authority to operate the equipment.

### RF Exposure Warning for North America and Australia

**Warning!** This equipment complies with FCC radiation exposure limits set forth for an uncontrolled environment. This equipment should be installed and operated with a minimum distance of 20 cm between the radiator and the user. This transmitter must not be co-located or operating in conjunction with any other antenna or transmitter.

### Expected LED Lifespan

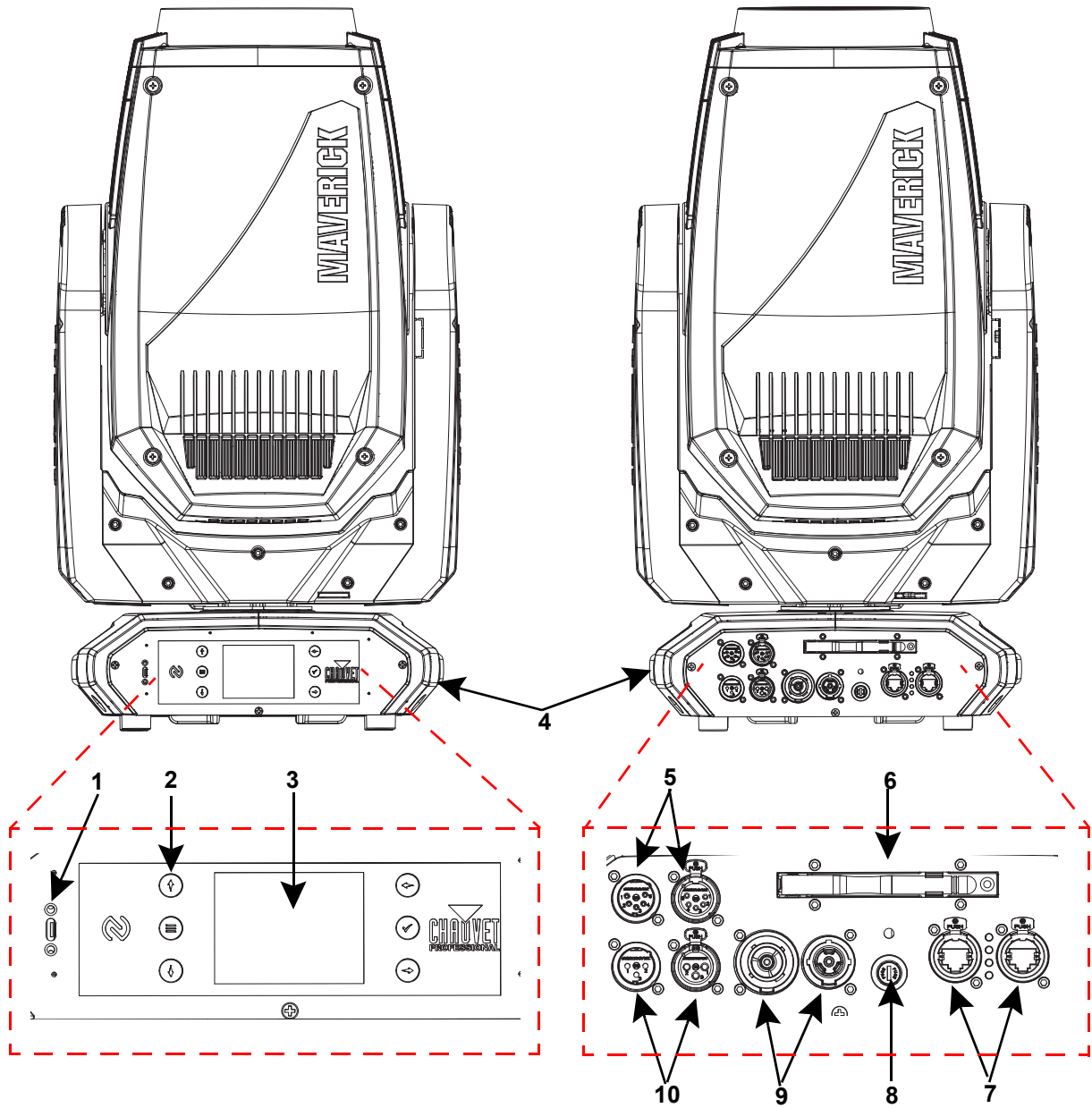
Over time, use and heat will gradually reduce LED brightness. Clustered LEDs produce more heat than single LEDs, contributing to shorter lifespans if always used at full intensity. The average LED lifespan is 40,000 to 50,000 hours. To extend LED lifespan, maintain proper ventilation around the product, and limit the overall intensity.

## 2. Introduction

### Features

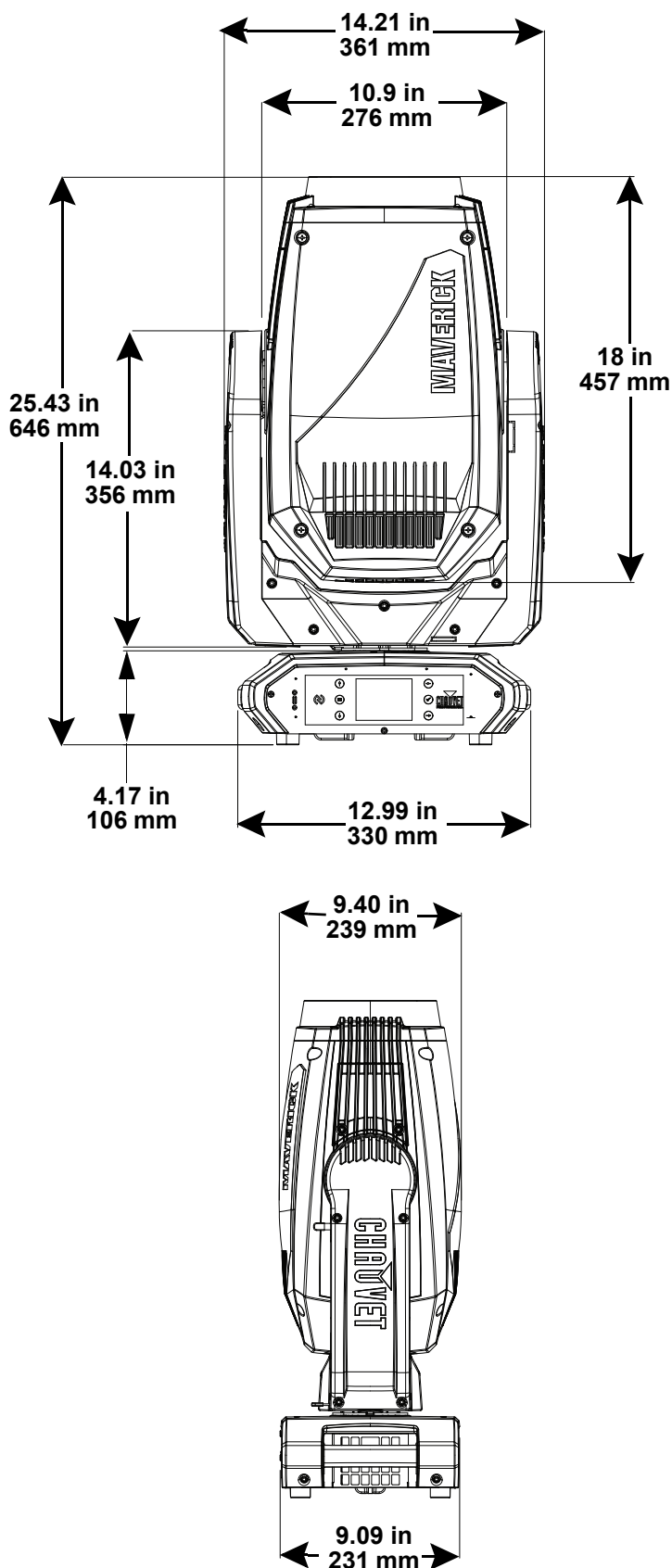
- Fully featured, compact and lightweight 520 W LED yoke spot fixture including CMY color mixing, a color wheel, zoom optics, and two gobo wheels: one rotating, and one static
- 16-bit dimming of master dimmer for smooth control of fades
- 65,000 PWM for use with the fastest frame cameras, but still maintains fantastic dimming
- Variable CMY color mixing system to create a wide pallet of colors
- DMX, CRMX, sACN, and Art-Net for full flexibility of control options
- RDM-enabled for remote addressing and trouble shooting
- 3.5° to 57.7° zoom range for variable beam sizes
- Iris, 5-facet prism, and frost for beam control
- True 1 compatible power input
- Three setup menu presets and preset sync for cross loading to multiple like fixtures for easy shop setup
- USB slot for software uploads
- Battery backup display with auto-rotate depending on fixture orientation
- Failsafe Ethernet connectivity allows for data to pass even if fixture power is lost
- NFC for quick and easy fixture setup in the shop or in the field

Product Overview



#	Name	#	Name
1	USB-C port	6	WDMX antenna
2	Menu buttons	7	Ethernet ports
3	LCD Display	8	Fuse holder
4	Carry handles	9	Power in/out
5	5-pin DMX in/out	10	3-pin DMX in/out

**Product Dimensions**



### 3. Setup

#### AC Power

The Maverick Force X Spot has an auto-ranging power supply and it can work with an input voltage range of 100 to 240 VAC, 50/60 Hz.

To determine the product's power requirements (circuit breaker, power outlet, and wiring), use the current value listed on the label affixed to the product's back panel, or refer to the product's specifications chart. The listed current rating indicates the product's average current draw under normal conditions.



- **Always connect the product to a protected circuit (a circuit breaker or fuse). Ensure the product has an appropriate electrical ground to avoid the risk of electrocution or fire.**
- **To eliminate unnecessary wear and improve its lifespan, during periods of non-use completely disconnect the product from power via breaker or by unplugging it.**



**Never connect the product to a rheostat (variable resistor) or dimmer circuit, even if the rheostat or dimmer channel serves only as a 0 to 100% switch.**

#### AC Plug

The Maverick Force X Spot comes with a power input cable terminated with a Seetronic Powerkon A connector on one end and an Edison plug on the other end (U.S. market). If the power cable which came with the product has no plug, or if it is necessary to change the plug, use the table below to wire a plug.

Connection	Wire (U.S.)	Wire (Europe)	Screw Color
AC Live	Black	Brown	Yellow or Brass
AC Neutral	White	Blue	Silver
AC Ground	Green/Yellow	Green/Yellow	Green

#### Fuse Replacement

1. Disconnect this product from the power outlet.
2. Using a flat-head screwdriver, unscrew the fuse holder cap from the housing.
3. Remove the blown fuse and replace with another fuse of the same type and rating (F 10 A, 250 V).
4. Screw the fuse holder cap back in place and reconnect power.

#### Power Linking

It is possible to power link Maverick Force X Spot products. See the table below for the current draw at each voltage and frequency:

	100 V, 60 Hz	120 V, 60 Hz	208 V, 60 Hz	230 V, 50 Hz	240 V, 50 Hz
<b>Current Draw</b>	5.52 A	4.63 A	2.63 A	2.39 A	2.39 A

Never exceed 12 A on a single circuit. Power-linking cables can be purchased separately.

#### Signal Connections

The Maverick Force X Spot can receive a DMX, Art-Net™, sACN, or a wireless Lumenradio CRMX™ signal. The product has 2 Seetronic Etherkon-compatible through ports and 3- and 5-pin DMX in and out ports. If using other compatible products with this product, it is possible to control each individually with a single controller.

#### Control Personalities

The Maverick Force X Spot uses a 3- or 5-pin DMX data connection, Art-Net™, sACN, or wireless CRMX™ for its two control personalities: **DMX Mode 22 CH** and **DMX Mode 29 CH**.

- Refer to the [Operation](#) chapter to learn how to configure the Maverick Force X Spot to work in these personalities.
- The [DMX Channel Assignments and Values](#) section provides detailed information regarding the control personalities.



**If the user is not familiar with or need more information about DMX standards or the DMX cables needed to link this product to a DMX controller, download the DMX Primer from the Chauvet website: [www.chauvetprofessional.com](http://www.chauvetprofessional.com).**

## DMX Linking

The Maverick Force X Spot can link to a DMX controller using a 3- or 5-pin DMX connection or a CRMX™ connection. For more information about DMX, read the DMX primer at: [https://www.chauvetprofessional.com/wp-content/uploads/2016/06/DMX\\_Primer.pdf](https://www.chauvetprofessional.com/wp-content/uploads/2016/06/DMX_Primer.pdf).

## Remote Device Management

Remote Device Management, or RDM, is a standard for allowing DMX-enabled devices to communicate bi-directionally along existing DMX cabling. Check the DMX controller's User Manual or with the manufacturer as not all DMX controllers have this capability. The Maverick Force X Spot supports RDM protocol that allows feedback to make changes to menu map options.

## Art-Net™ Connection

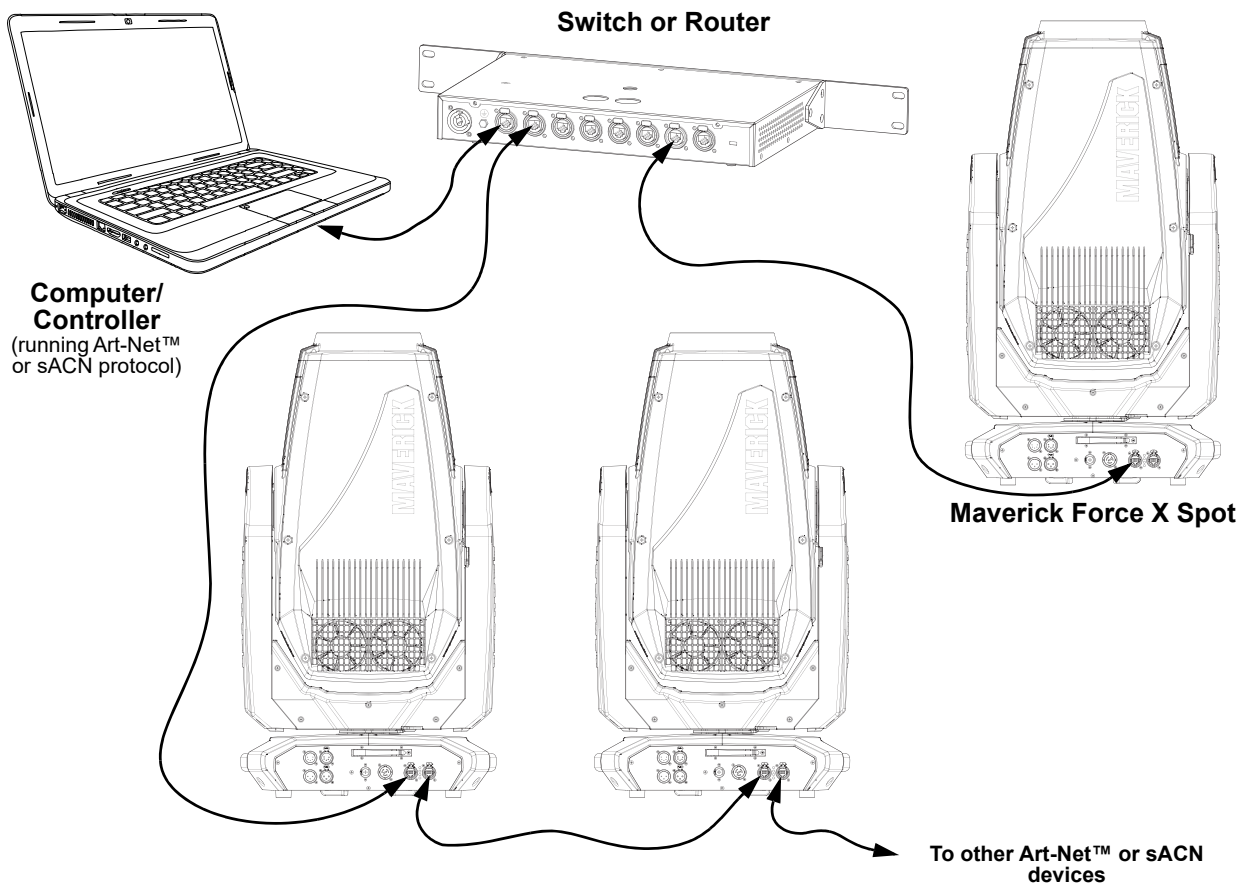
Art-Net™ is an Ethernet protocol that uses TCP/IP which transfers a large amount of DMX512 data using an ethernet connection over a large network. An Art-Net™ protocol document is available from [www.chauvetprofessional.com](http://www.chauvetprofessional.com).

Art-Net™ designed by and copyright Artistic Licence Holdings Ltd.

## sACN Connection

Also known as ANSI E1.31, streaming ACN is an Ethernet protocol that uses the layering and formatting of Architecture for Control Networks to transport DMX512 data over IP or any other ACN compatible network.

## Ethernet Connection Diagram



The four LED indicators in between the Ethernet through ports indicate a connection to a network and activity on that network. They do not indicate whether or not the Maverick Force s Profile is receiving a signal from a controller.

## Lumenradio CRMX™ Connection

In optimal conditions, the Maverick Force X Spot can operate up to 300 m (900 ft) away from the CRMX™ transmitter. The CRMX™ receiver in the Maverick Force X Spot must be paired with the CRMX™ transmitter for wireless operation.

### Initial Setup

1. Turn the CRMX™ transmitter on.
2. Connect the CRMX™ transmitter to a DMX controller.
3. Place the Maverick Force X Spot within 300 m from the CRMX™ transmitter.
4. Turn the Maverick Force X Spot on.

### Configuration

1. From the Maverick Force X Spot's control panel, go to **DMX Address**.
2. Select the start address, as with any other DMX compatible product.
3. Go to **Settings > ControlMode**.
4. Select **CRMX**. (The Signal Strength Indicator will show a ? in front of the bars).
5. In the **Settings** menu, go to **WDMX Reset**, select **Yes** to receive signal.
6. Press the reset button on the CRMX™ transmitter. (The Signal Strength Indicator on the Maverick Force X Spot will show a 4 in front of the bars for 3 seconds while a connection is established.)

### Product Pairing

If the Maverick Force X Spot has already been paired with the CRMX™ transmitter, the Signal Strength Indicator on top of the display will show the strength of the signal. In this case, the Maverick Force X Spot is ready to work in Wireless mode.



**CRMX™ operation can be interrupted or inhibited by people or liquid masses, including water or snow, between the transmitter and receiver. For best results, keep the area between the transmitter and receiver clear of any liquid masses.**

## USB Software Update

The Maverick Force X Spot allows for software updates with a USB device using the built-in USB port. To update the software using a USB type C flash drive, do the following:

1. Power on the product, and plug the flash drive into the USB port.
2. Go to **Settings > USB Update**.
3. The "**USB Update**" screen will appear. Select **YES**.
4. Select from **Update Me** (to update this product) or **Update Other** (to update a product with an item code that starts with 08 which is daisy chained via DMX).



**It is possible to update multiple units with the USB if they are daisy chained via DMX.**

5. The next screen will show the software versions available for this fixture on the USB drive. For multiple versions of the software for the same fixture, use **<UP>** or **<DOWN>** to select the desired version. Press **<ENTER>**.
6. The selected software version will show on the display and ask for confirmation. Select **Yes**.
7. The upgrade will start. **DO NOT** turn off the power or disconnect the USB while the USB LED is still blinking during the process. The screen display will read: "**USB Update Wait**". The update can take several minutes to complete.
8. When the update is completed, the fixture will automatically reboot.
9. Go to Fixture Information on the product's menu map and confirm the firmware revision.
10. When the boot-up process is finished, restart the product.



- **Place the .chl file in the root directory of the USB drive.**
- **The product's USB port supports up to 32GB capacity and only works with FAT32 file format.**



**Turning off the power or removing the USB while the USB LED is still blinking during the update will cause partial or total firmware failure in the targeted fixture(s). If this occurs, the user will need the UPLOAD 08 device to fix this. Please contact Chauvet regarding this device.**

## Mounting

Before mounting the product, read and follow the safety recommendations indicated in the [Safety Notes](#).

### Orientation

Always mount this product in a safe position, making sure there is adequate room for ventilation, configuration, and maintenance.

### Rigging

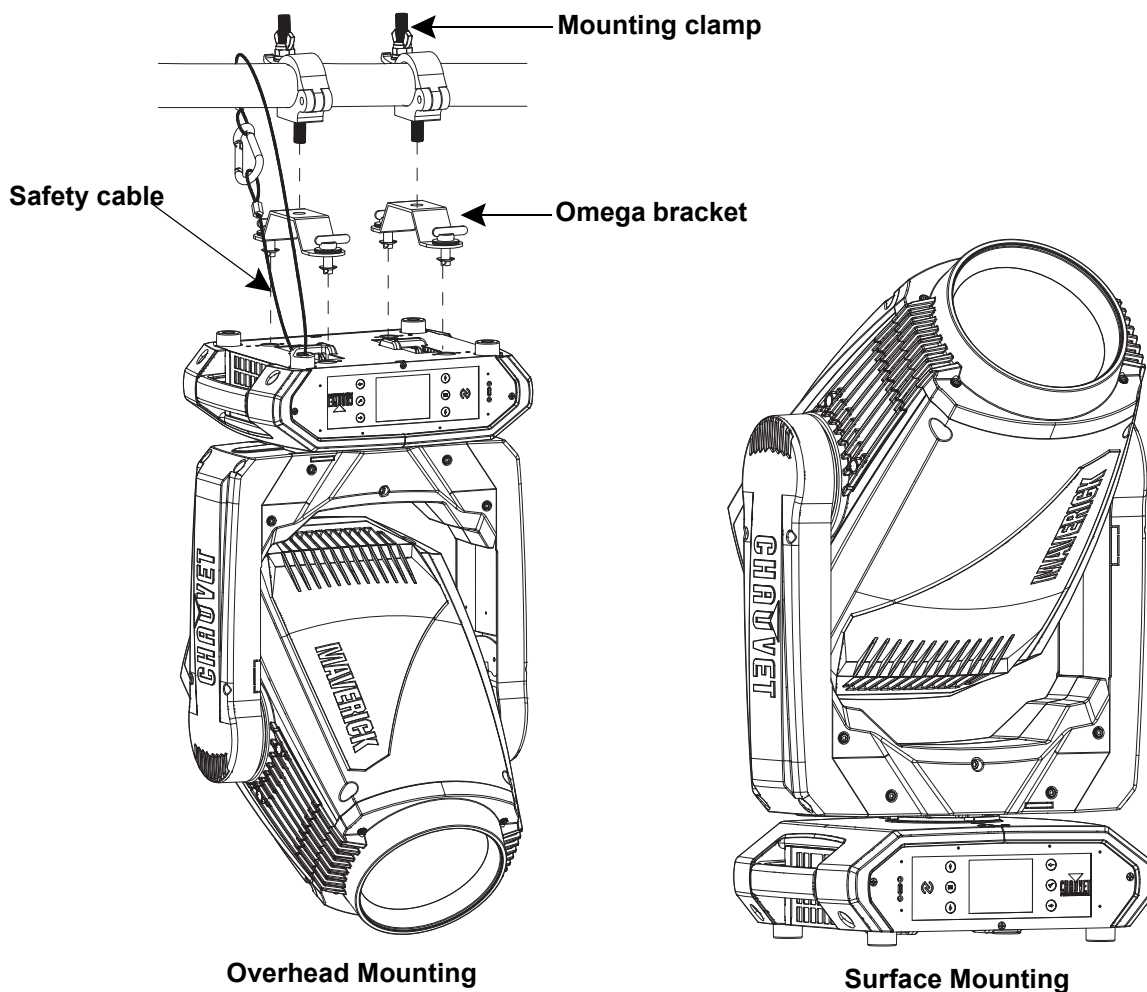
Chauvet recommends using the following general guidelines when mounting this product.

- Before deciding on a location for the product, make sure there is easy access to the product for maintenance and programming purposes.
- Make sure that the structure and attachment points can support the weight before hanging the product (see the [Technical Specifications](#) for weight information).
- When mounting the product overhead, always use a safety cable. Mount the product securely to a rigging point, whether an elevated platform or a truss.
- When rigging the product onto a truss, use a mounting clamp of appropriate weight capacity.
- When power linking multiple products, mount the products close enough for power-linking cables to reach.

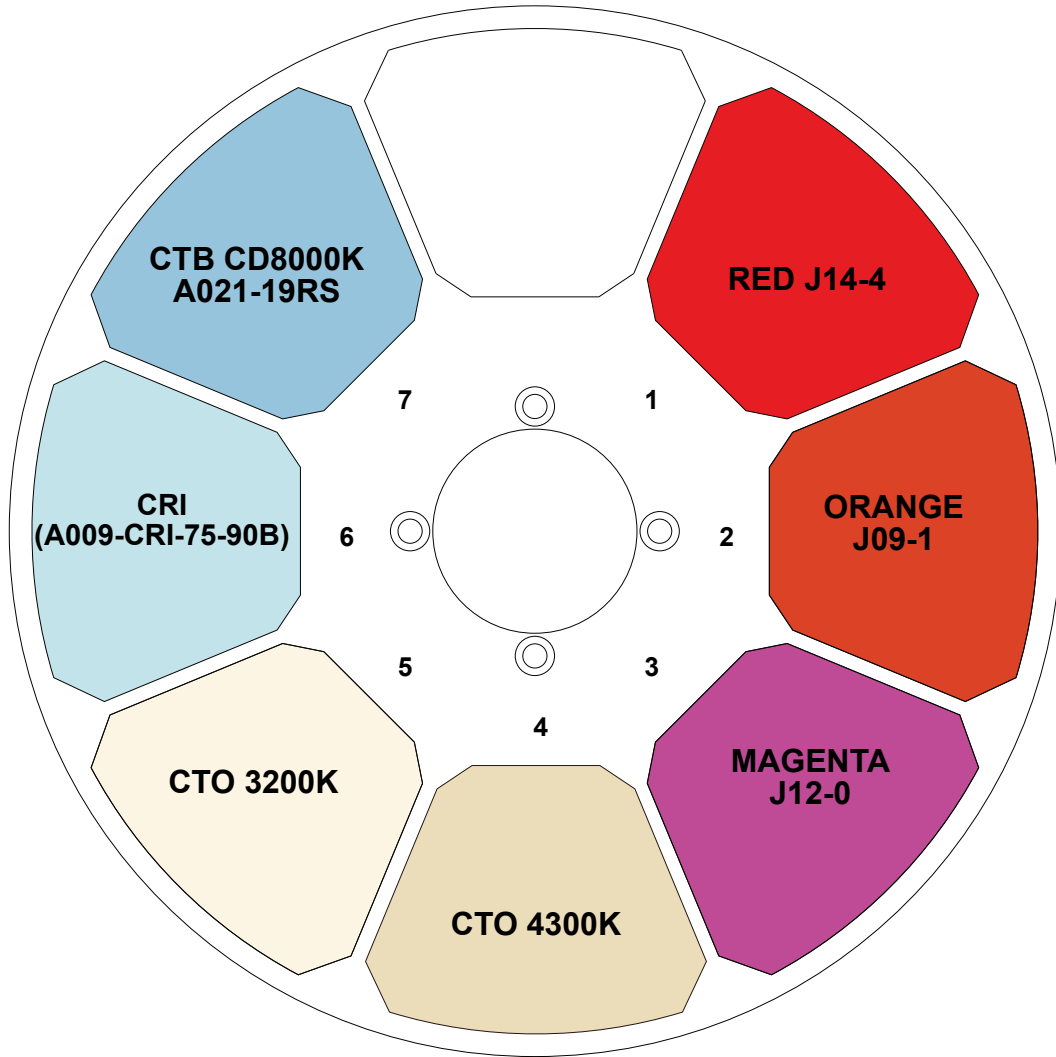
### Procedure

The Maverick Force X Spot comes with 2 Omega brackets. The user can directly attach a mounting clamp (sold separately) to these Omega brackets. Make sure the clamp is capable of supporting the weight of this product. For the Chauvet Professional line of mounting clamps, go to <http://www.trusst.com/products>.

### Mounting Diagram

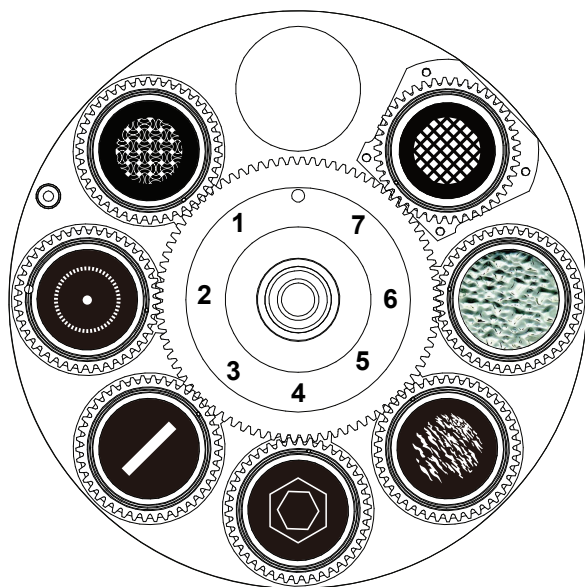


### Color Wheel

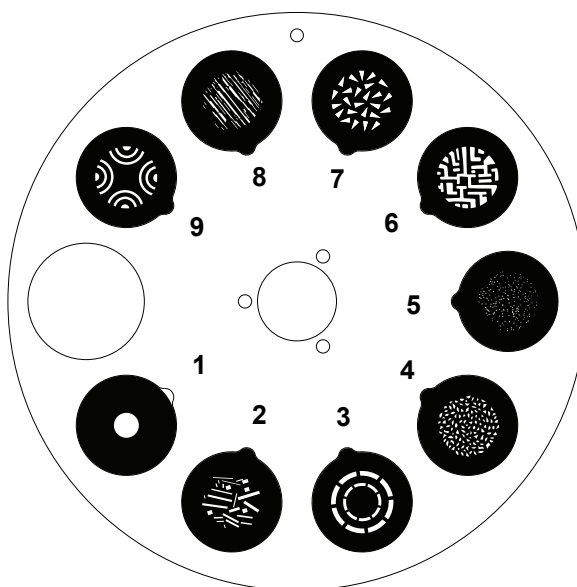


## Gobo Wheels

**Gobo Wheel 1**  
Rotating gobo wheel

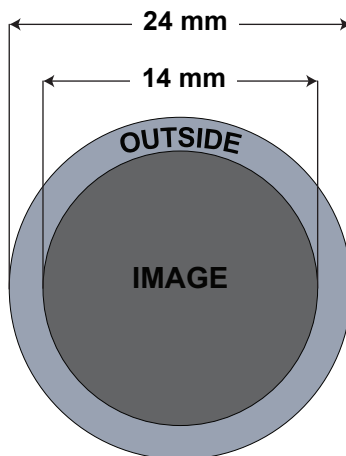


**Gobo Wheel 2**  
Static gobo wheel



Gobo Wheel	Gobo #	Description	Gobo Wheel	Gobo #	Description
1	1	Sail boats	2	1	Beam
	2	Radial dot		2	Bars
	3	Bar		3	Circles
	4	Bolts		4	Breakup
	5	Shower glass		5	Dots
	6	Ballistic clouds		6	Circuits
	7	Grate		7	Triangles
				8	Forest
				9	Rainbows

## Gobo Dimensions



Gobo Wheel 1 (Rotating)

## Setup

### Gobo Replacement

The gobos in the Maverick Force X Spot are removable from their gobo holders.



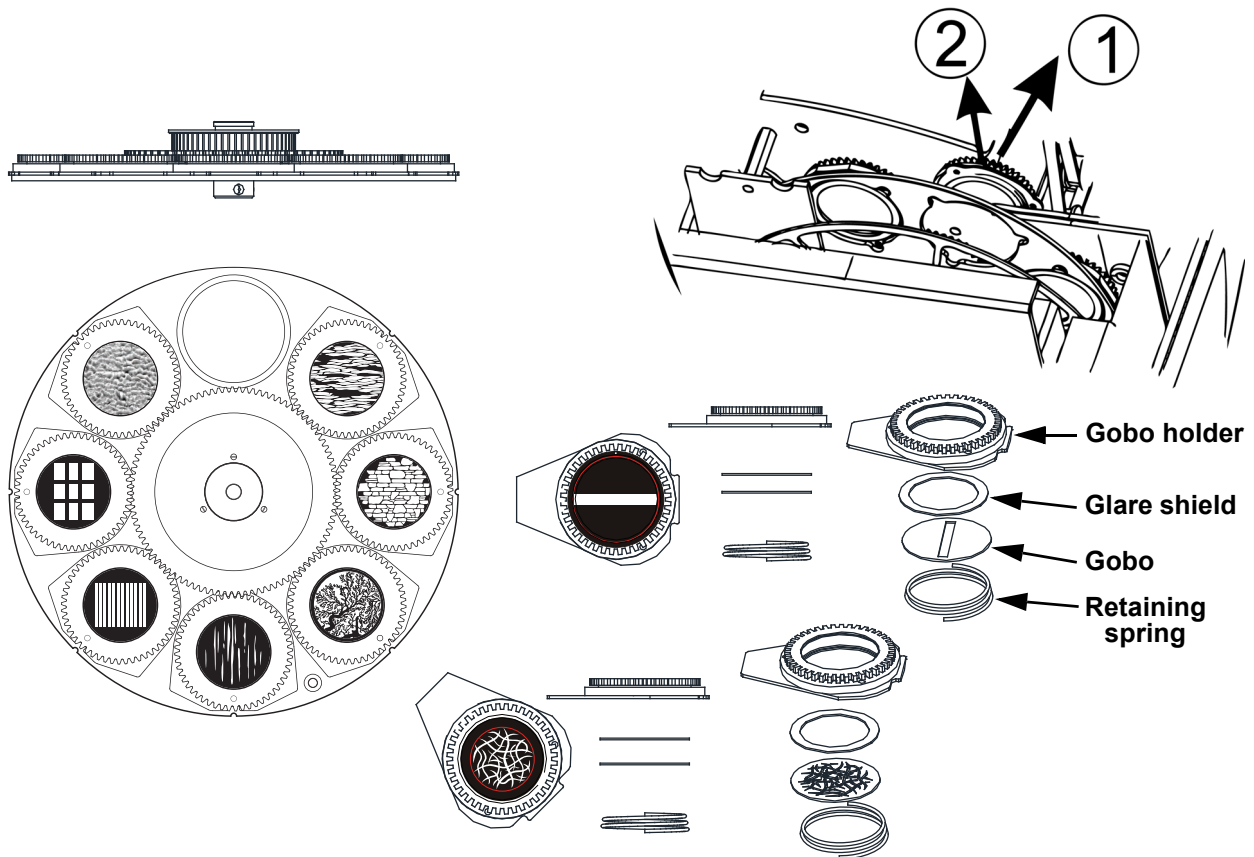
- **Make sure to disconnect the product's power cable before replacing a gobo.**
- **Always replace a gobo with a gobo of the same dimensions.**
- **When inserting a glass gobo, always make sure that the shiny side of the gobo (glass base) faces the lamp. This provides a layer of protection against the high temperature from the lamp.**
- **All custom gobos in the Maverick Force X Spot gobo wheel 1 must be aluminum or glass.**

### Procedure

Follow the recommended procedure below to remove or replace the gobos:

1. Turn the product off and disconnect it from the power outlet.
2. Open the head cover by loosening the screws on the sides of the top cover.
3. Separate the gobo holder away from the gobo wheel by pushing it toward the front of the moving head (see direction 1 in the diagram). Be careful not to push the gobo out of the gobo holder.
4. Extract the gobo holder by pulling it outward (see direction 2 in the diagram).
5. On a flat surface, remove the expansion ring that holds the gobo in place and remove the gobo from the gobo holder.
6. Insert a new gobo and hold it in place with the expansion ring.
7. Slide the tip of the gobo holder under the pressure plate near the center of the gobo wheel.
8. Push the gobo holder inwards. **DO NOT** force the gobo holder into the gobo wheel slot. If correctly installed, the gobo plate should easily slide itself into the gobo wheel slot.






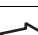
### Gobo Replacement Diagrams



- **Gobo illustrations are for reference purposes only. Gobo designs may differ from those installed in the product.**
- See [Gobo Maintenance](#) for instructions on how to clean the gobos and gobo holder.

## 4. Operation

### Control Panel Description

Button	Name	Function
	<Up>	Navigates upwards through the menu or increases the numeric value of a function
	<Menu>	Exits the current menu or function
	<Down>	Navigates downwards through the menu or decreases the numeric value of a function
	<Left>	Navigates leftwards through the menu
	<Enter>	Enables the currently displayed menu or sets a selected value into a function
	<Right>	Navigates rightwards through the menu

### Control Options

Set the Maverick Force X Spot starting address in the **001-491** DMX range. This enables control of up to 23 products in the 22 -channel **DMX Mode 22 CH** personality.

### Programming

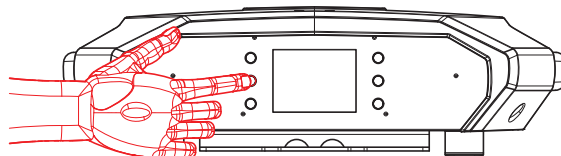
Refer to the menu map to understand the menu options. The menu map shows the main menu and a variable number of programming levels for each option.

- To access the main menu, press **<ENTER>**.
- To navigate to the desired option in the main menu, press **<UP>**, **<DOWN>** or **<LEFT>**, **<RIGHT>** until the option is indicated.
- Press **<ENTER>** to select the indicated option.
- Use **<UP>** or **<DOWN>** to navigate within a programming level until the desired option is indicated.
- To return to the main menu, press **<MENU>** repeatedly until it shows on the display.
- Press **<MENU>** to return to the home screen.

Control options can also be accessed through the [Web Server](#).

### Battery Powered Display

The Maverick Force X Spot has a battery powered display which enables access to the menu when the product is powered off. Press and hold **<MENU>** until the display activates (approximately 15 seconds).



### Home Screen

The Maverick Force X Spot has a home screen that shows the current control protocols, personalities, starting addresses, IP addresses, and universes. To see the home screen, press **<MENU>** repeatedly until it shows on the display. From the home screen, press **<ENTER>** to reach the main menu.

### Control Panel Lock

The setting locks or unlocks the control panel.

1. Go to the **Settings** main level.
2. Select the **Lock Screen** option.
3. Select **NO** (control panel stays unlocked) or **YES** (locks control panel).



**When the control panel lock is activated, the product will prompt for the passcode in order to access the menu. Enter the passcode as described below.**

### Passcode

After being prompted to enter the passcode, enter **0920**.

## Menu Map

Refer to the Maverick Force X Spot product page on [www.chauvetprofessional.com](http://www.chauvetprofessional.com) for the latest menu map.

Main Level	Programming Levels		Description	
<b>Address</b>	<b>001–512</b>		Sets the starting address	
<b>Network Setup</b>	<b>IP Mode</b>	<b>Manual</b>	Manually set IP address	
		<b>DHCP</b>	Network sets IP address	
		<b>Static</b>	Product sets IP address	
	<b>Universe</b>	<b>000–255 (Art-Net™)</b> <b>001–256 (sACN)</b>	Sets the universe	
	<b>Ip</b>	-----	Sets the IP address in Manual mode	
	<b>SubMask</b>	-----	Sets the Subnet Mask in Manual mode	
<b>Ethernet to DMX</b>	<b>NO</b>		Enables/disables ethernet to DMX	
	<b>YES</b>			
<b>Personality</b>	<b>DMX Mode 22 CH</b>	<b>NO</b>	Selects the 22-channel mode	
	<b>DMX Mode 29 CH</b>	<b>YES</b>	Selects the 29-channel mode	
<b>Settings</b>	<b>Control Mode</b>	<b>DMX</b>	Selects the DMX control protocol	
		<b>CRMX</b>	Selects Lumenradio CRMX™	
		<b>ArtNet</b>	Selects the ArtNet control protocol	
		<b>sACN</b>	Selects the sACN control protocol	
	<b>Pan Reverse</b>	<b>NO</b>		Normal pan
		<b>YES</b>		Reverse pan
	<b>Tilt Reverse</b>	<b>NO</b>		Normal tilt
		<b>YES</b>		Reverse tilt
	<b>Screen Reverse</b>	<b>NO</b>		Normal screen display
		<b>YES</b>		Inverted screen display
		<b>Auto</b>		Automatic display orientation
	<b>Pan Angle</b>	<b>540</b>		Selects 540° pan range fixture
		<b>360</b>		Selects 360° pan range
		<b>180</b>		Selects 180° pan range
	<b>Tilt Angle</b>	<b>270</b>		Selects 270° tilt range
		<b>180</b>		Selects 180° tilt range
		<b>90</b>		Selects 90° tilt range
	<b>BL. O. P/T Move</b>	<b>NO</b>		Enable/disable blackout while panning/tilting
		<b>YES</b>		
	<b>BL. O. Color Move</b>	<b>NO</b>		Enable/disable blackout while color wheel is moving
		<b>YES</b>		
	<b>BL. O. Gobo Move</b>	<b>NO</b>		Enable/disable blackout while gobo wheels are moving
		<b>YES</b>		
	<b>Lock Screen</b>	<b>NO</b>		Lock the menu buttons Passcode: <b>0920</b>
		<b>YES</b>		
	<b>Swap XY</b>	<b>NO</b>		Do not swap pan and tilt
		<b>YES</b>		Pan controls tilt, tilt controls pan
<b>WDMX Reset</b>	<b>NO</b>		Do not reset the WDMX	
	<b>YES</b>		Reset WDMX	
<b>Backlight Timer</b>	<b>30S</b>		Display turns off after 30 seconds	
	<b>1M</b>		Display turns off after 1 minute	
	<b>5M</b>		Display turns off after 5 minute	
	<b>ON</b>		Display stays on	

Main Level	Programming Levels	Description	
Settings (cont.)	Loss of Data	Hold	Hold last signal received
		Close	Blacks out fixture
	Fans	Auto	Fan speed set according to product temperature
		Full	Fan speed set on high
		ECO	Quiet mode
		TV25	Maintains LED output up to an ambient temperature of 77°F (25°C)( <b>TV25</b> ) or 95°F (35°C)( <b>TV35</b> ). When using these fan modes, please set the <b>PWM</b> options to <b>65,000Hz</b> to prevent any possible harmonization noise.
		TV35	
		Dimmer Curve	Linear
	Square		
	I Squa		
	SCurve		
	PWM Option	600Hz	Sets the Pulse Width Modulation frequency
		2000Hz	
		15000Hz	
		65000Hz	
	LED POWER	064-255	Sets the maximum LED output
	Min Zoom Focus	NO	Enables/disables Minimum Zoom Focus
		YES	
	Preset Select	PRESET A	Recorded preset menu options
		PRESET B	
		PRESET C	
	Preset Sync	NO	Allows recorded preset menu options to be transferred to other Maverick Force X Spot fixtures in the DMX daisy chain
		YES	
	USB Update	Update Me	Update firmware via USB C
		Update Other	
	Reset Function	Pan/Tilt	Reset individual functions or all functions from start-up
		Iris/Prism	
Color/CMY			
Gobo/Gobo Rotate			
Frost			
All			
Factory Settings	NO	Reset to factory default settings	
	YES		

Main Level	Programming Levels		Description	
Test	Auto Test		Auto test all functions	
	Manual Test	Pan	000–255	Manually control and test all settings through the control panel
		Pan Fine		
		Tilt		
		Tilt Fine		
		P/T Speed		
		Dimmer		
		Dimmer Fine		
		Strobe		
		Virtual Shaking		
		Cyan		
		Magenta		
		Yellow		
		Color		
		Gobo		
		Gobo Rotate		
		Gobo Index		
		Gobo2		
		Focus		
		Focus Fine		
		Focus Auto		
		Zoom		
		Zoom Fine		
		Prism		
		Prism Rotate		
	Iris			
	Frost			
CMY Macro				
CMY Macro Speed				
Control				
Information	Fixture Information	Ver	V1. 250610	Shows firmware version
		Running Mode	---	Shows current running mode
		DMX Address	---	Shows current starting address
		Temperature	---	Shows current product temperature
		Fixture Hours	-----	Shows number of hours product has been powered on
		LED Hours	-----	Shows number of hours the LED has been powered on
		Ip	---'---'	Shows current IP address
		SubMask	---'---'	Shows current Subnet Mask
		UID	---	Shows MAC address
		MAC	---	Shows RDM address

Main Level	Programming Levels		Description
Information (cont.)	Fan Information	AFan1 Speed	_____
		AFan2 Speed	_____
		ZFan1 Speed	_____
		DFan1 Speed	_____
		DFan2 Speed	_____
		DFan3 Speed	_____
	Error Information	_____	Show any errors, or No Error
	Channel Information		Shows all current values from input signals

## DMX Configuration

Use control configurations to operate the product with a DMX, ArtNet™, or sACN controller.

### DMX Personalities

To set the DMX personality:

1. Go to the **Personality** main level.
2. Select the desired personality, from **DMX Mode 22 CH**, or **DMX Mode 29 CH**.



- See the [Starting Address](#) section for the highest selectable starting address for each personality.
- Make sure that the starting addresses on the various products do not overlap due to the new personality setting.

### Starting Address

Each product will respond to a unique starting address from the controller. All products with the same starting address will respond in unison. To set the starting address in DMX mode:

1. Go to the **Address** main level.
2. Select the starting address (**001–512**).

Personality	Highest Address	Products per Universe
<b>22 CH</b>	<b>491</b>	<b>23</b>
<b>29 Ch</b>	<b>484</b>	<b>17</b>

### Control Mode

The Maverick Force X Spot works with wired DMX, CRMX, Art-Net™, and sACN control signals.

To set the desired control protocol:

1. Go to the **Settings** main level.
2. Select the **Control Mode** option.
3. Select the desired protocol, from **DMX**, **CRMX**, **ArtNet**, or **sACN**.

### Universe

The Art-Net™ and sACN control protocols require a universe address in addition to the starting address.

To assign a universe to the Maverick Force X Spot when using Art-Net™ or sACN:

1. Select the control mode and protocol as described under [Control Mode](#).
2. Go to the **Network Setup** main level.
3. Select the **Universe** option.
4. Select the universe (**0–255** for **ArtNet**, or **1–256** for **sACN**).

### Network Setup

The Network Setup settings control the IP address and subnet mask of the product.

#### IP Mode

To choose how the IP address is set:

1. Go to the **Network Setup** main level.
2. Select the **IP Mode** option.
3. Select the desired IP mode, from **Manual** (to set a custom IP address), **DHCP** (the IP address is assigned by the connected network), or **Static** (the product uses a default, preset IP address).

## Operation

### Manual IP Address

To set the IP address when the **IP Mode** is set to **Manual**:

1. Go to the **Network Setup** main level.
2. Select the **Ip** option.
3. Set the 4 values of the IP address from **000–255**.

### Subnet Mask

To set the subnet mask:

1. Go to the **Network Setup** main level.
2. Select the **SubMask** option.
3. Set the 4 values of the subnet mask from **000–255**.

### Ethernet to DMX

To enable switching from Ethernet to DMX between fixtures:

1. Go to the **Network Setup** main level.
2. Select the **Ethernet To DMX** option.
3. Select **NO** to disable or **YES** to enable the function.

## DMX Channel Assignments and Values

22CH	29CH	Function	Value	Percent/Setting
1	1	Pan	000 ⇔ 255	0–100%
2	2	Fine pan	000 ⇔ 255	Fine control (16-bit)
3	3	Tilt	000 ⇔ 255	0–100%
4	4	Fine tilt	000 ⇔ 255	Fine control (16-bit)
5	5	Pan/tilt speed	000 ⇔ 255	Fast to slow
6	6	Dimmer	000 ⇔ 255	0–100%
–	7	Fine dimmer	000 ⇔ 255	Fine control (16-bit)
7	8	Strobe	000 ⇔ 003	Off
			004 ⇔ 007	On
			008 ⇔ 076	Synchronized strobe, slow to fast
			077 ⇔ 145	Pulse strobe, slow to fast
			146 ⇔ 215	Random strobe, slow to fast
8	9	Virtual shaking	216 ⇔ 255	On
			000 ⇔ 001	Off
			002 ⇔ 128	Shaking strobe, slow to fast
129 ⇔ 255	Fading shake, slow to fast			
9	10	Cyan	000 ⇔ 255	0–100%
10	11	Magenta	000 ⇔ 255	0–100%
11	12	Yellow	000 ⇔ 255	0–100%
12	13	Color wheel (see <a href="#">Color Wheel</a> )	000 ⇔ 006	White
			007 ⇔ 013	Color 1 (red)
			014 ⇔ 020	Color 2 (orange)
			021 ⇔ 027	Color 3 (magenta)
			028 ⇔ 034	Color 4 (CTO 4300K)
			035 ⇔ 041	Color 5 (CTO 3200K)
			042 ⇔ 048	Color 6 (CRI)
			049 ⇔ 059	Color 7 (CTB)
			060 ⇔ 187	Color wheel indexing
			188 ⇔ 219	Reverse color scroll, slow to fast
			220 ⇔ 223	Stop
224 ⇔ 255	Color scroll, fast to slow			

22CH	29CH	Function	Value	Percent/Setting
13	14	Rotating gobo wheel (see <a href="#">Gobo Wheels</a> )	000 ⇔ 007	Open
			008 ⇔ 015	Gobo 1 (sailboats)
			016 ⇔ 023	Gobo 2 (radial dot)
			024 ⇔ 031	Gobo 3 (bar)
			032 ⇔ 039	Gobo 4 (bolts)
			040 ⇔ 047	Gobo 5 (shower glass)
			048 ⇔ 055	Gobo 6 (ballistic clouds)
			056 ⇔ 063	Gobo 7 (grate)
			064 ⇔ 071	Gobo 7 shaking, slow to fast
			072 ⇔ 079	Gobo 6 shaking, slow to fast
			080 ⇔ 087	Gobo 5 shaking, slow to fast
			088 ⇔ 095	Gobo 4 shaking, slow to fast
			096 ⇔ 103	Gobo 3 shaking, slow to fast
			104 ⇔ 111	Gobo 2 shaking, slow to fast
			112 ⇔ 119	Gobo 1 shaking, slow to fast
120 ⇔ 127	Open			
128 ⇔ 191	Gobo scroll, fast to slow			
192 ⇔ 255	Reverse gobo scroll, slow to fast			
14	15	Gobo wheel 1 rotation	000 ⇔ 063	Gobo indexing
			064 ⇔ 145	Gobo rotation, fast to slow
			146 ⇔ 149	Stop
			150 ⇔ 231	Reverse gobo rotation, slow to fast
			232 ⇔ 255	Gobo bounce, back and forth
-	16	Fine Gobo wheel 1 rotation	000 ⇔ 255	Fine control (16-bit)
15	17	Gobo wheel 2 (static) (see <a href="#">Gobo Wheels</a> )	000 ⇔ 005	Open
			006 ⇔ 011	Gobo 1 (beam)
			012 ⇔ 017	Gobo 2 (bars)
			018 ⇔ 023	Gobo 3 (circles)
			024 ⇔ 029	Gobo 4 (breakup)
			030 ⇔ 035	Gobo 5 (dots)
			036 ⇔ 041	Gobo 6 (circuits)
			042 ⇔ 047	Gobo 7 (triangles)
			048 ⇔ 053	Gobo 8 (forest)
			054 ⇔ 063	Gobo 9 (rainbows)
			064 ⇔ 069	Gobo 9 shaking, slow to fast
			070 ⇔ 075	Gobo 8 shaking, slow to fast
			076 ⇔ 081	Gobo 7 shaking, slow to fast
			082 ⇔ 087	Gobo 6 shaking, slow to fast
			088 ⇔ 093	Gobo 5 shaking, slow to fast
			094 ⇔ 099	Gobo 4 shaking, slow to fast
			100 ⇔ 105	Gobo 3 shaking, slow to fast
			106 ⇔ 111	Gobo 2 shaking, slow to fast
112 ⇔ 117	Gobo 1 shaking, slow to fast			
118 ⇔ 127	Open			
128 ⇔ 191	Gobo scroll, fast to slow			
192 ⇔ 255	Reverse gobo scroll, slow to fast			

## Operation

22CH	29CH	Function	Value	Percent/Setting
16	18	<b>Focus</b>	000 ⇔ 255	0–100%
–	19	<b>Fine focus</b>	000 ⇔ 255	Fine control (16-bit)
–	20	<b>Auto focus</b>	000 ⇔ 010 011 ⇔ 030 031 ⇔ 050 051 ⇔ 070 071 ⇔ 090 091 ⇔ 110 111 ⇔ 130 131 ⇔ 150 151 ⇔ 170 171 ⇔ 190 191 ⇔ 210 211 ⇔ 255	No function 0–5 m 6 m 7 m 8 m 9 m 10 m 12.5 m 15 m 17.5 m 20–60 m Auto-detect distance
17	21	<b>Zoom</b>	000 ⇔ 255	0–100%
–	22	<b>Fine zoom</b>	000 ⇔ 255	Fine control (16-bit)
18	23	<b>Prism</b>	000 ⇔ 004 005 ⇔ 255	No function Prism effect
19	24	<b>Prism rotation</b>	000 ⇔ 127 128 ⇔ 189 190 ⇔ 193 194 ⇔ 255	Prism index Prism rotation, fast to slow Stop Reverse prism rotation, slow to fast
20	25	<b>Iris</b>	000 ⇔ 063 064 ⇔ 127 128 ⇔ 191 192 ⇔ 255	Open to close Auto change, slow to fast Slow open, fast close (slow to fast) Slow close, fast open (slow to fast)
21	26	<b>Frost</b>	000 ⇔ 255	0–100%
–	27	<b>CMY macro</b>	000 ⇔ 009 010 ⇔ 014 015 ⇔ 020 021 ⇔ 255	No function Full CTO Half CTO CMY macro, fast to slow
–	28	<b>CMY macro speed</b>	000 ⇔ 255	CMY macro speed, fast to slow

22CH	29CH	Function	Value	Percent/Setting
22	29	Control	000 ⇔ 007	No function
			008 ⇔ 015	Pan tilt blackout
			016 ⇔ 023	Color blackout
			024 ⇔ 031	Gobo blackout
			032 ⇔ 039	Pan tilt/color blackout
			040 ⇔ 047	Pan tilt/gobo blackout
			048 ⇔ 055	Pan tilt/color/gobo blackout
			056	No function
			057	PWM 600Hz
			058	PWM 2000Hz
			059	PWM 15000Hz
			060	PWM 65000Hz
			061	No function
			062	No function
			063	No function
			064	Linear dimmer
			065	Square dimmer curve
			066	Inverse square dimmer curve
			067	S-curve dimmer
			068	No function
			069 ⇔ 095	No function
			096 ⇔ 103	Pan reset
			104 ⇔ 111	Tilt reset
			112 ⇔ 119	Color wheel reset
			120 ⇔ 127	Gobo wheels reset
			128 ⇔ 131	Gobo wheel CTB on
			132 ⇔ 135	Gobo wheel CTB off
			136 ⇔ 143	Prism reset
			144 ⇔ 151	No function
			152 ⇔ 159	All reset
			160 ⇔ 167	Iris reset
			168 ⇔ 175	Frost reset
			176 ⇔ 183	Zoom reset
			184 ⇔ 191	CMY reset
			192 ⇔ 199	Fan ECO
			200 ⇔ 207	Fan full
			208 ⇔ 215	Fan auto
			216 ⇔ 220	Fan TV25
			221 ⇔ 225	Fan TV35
			226 ⇔ 230	No function
			231 ⇔ 235	Pan tilt swap on
236 ⇔ 240	Pan tilt swap off			
241 ⇔ 245	Min Zoom Focus on			
246 ⇔ 250	Min Zoom Focus off			
251 ⇔ 255	No function			

## Operation

---

### Settings Configuration

#### Pan Reverse

To set the orientation of the pan:

1. Go to the **Settings** main level.
2. Select the **Pan Reverse** option.
3. Select from **NO** (normal pan motion), or **YES** (reversed pan motion).

#### Tilt Reverse

To set the orientation of the tilt:

1. Go to the **Settings** main level.
2. Select the **Tilt Reverse** option.
3. Select from **NO** (normal tilt motion), or **YES** (reversed tilt motion).

#### Screen Reverse

To set the orientation of the display:

1. Go to the **Settings** main level.
2. Select the **Screen Reverse** option.
3. Select from **NO** (right-side up), **YES** (upside-down), or **AUTO** (automatic orientation).

#### Pan Angle

To set the maximum angle of the pan:

1. Go to the **Settings** main level.
2. Select the **Pan Angle** option.
3. Select from **540** (540°), **360** (360°), or **180** (180°).

#### Tilt Angle

To set the maximum angle of the tilt:

1. Go to the **Settings** main level.
2. Select the **Tilt Angle** option.
3. Select from **270** (260°), **180** (180°), or **090** (90°).

#### Black out on Movement

To set the product to black out while the pan/tilt, color wheel, or gobo wheels are moving:

1. Go to the **Settings** main level.
2. Select from the **BL. O. P/T Move** (black out on pan/tilt movement), **BL. O. Color Move** (black out on color wheel movement), or **BL. O. Gobo Move** (black out on gobo wheel movement) options.
3. Select from **NO** or **YES**.

#### Swap Pan and Tilt

To swap the controls for the pan and tilt:

1. Go to the **Settings** main level.
2. Select the **Swap XY** option.
3. Select from **NO** (pan controls pan, tilt controls tilt) or **YES** (pan controls tilt, tilt controls pan).

#### CRMX™ Reset

To reset the wireless Lumenradio CRMX™ connection:

1. Go to the **Settings** main level.
2. Select the **CRMX Reset** option.
3. Select from **NO** or **YES**.

#### Display Backlight Timer

To set how long before an inactive display will turn off:

1. Go to the **Settings** main level.
2. Select the **Backlight Timer** option.
3. Select the length of the backlight timer, from **30S** (30 seconds), **1M** (1 minute), **5M** (5 minutes), or **ON** (always on).

## Loss of Data

To select how the product will respond to a loss of the control signal:

1. Go to the **Settings** main level.
2. Select the **Loss of Data** option.
3. Select from **Hold** (holds last signal received) or **Close** (blacks out fixture).

## Fan Mode

To set the fan speed mode:

1. Go to the **Settings** main level.
2. Select the **Fans** option.
3. Select the fan mode, from **Auto** (fan speed adjusts to product temperature), **Full** (fan speed at maximum), **ECO** (quiet mode), **TV25** (maintains a consistent LED output up to an ambient temperature of 77 °F [25 °C]), or **TV35** (maintains a consistent LED output up to an ambient temperature of 95 °F [35 °C]).



**When using the fan modes TV25 or TV35, please set the PWM Option to 65,000Hz to prevent any possible harmonization noise.**

## Dimmer Curve

To set the dimmer curve:

1. Go to the **Settings** main level.
2. Select the **Dimmer Curve** option.
3. Select the dimmer curve, from **Linear**, **Square**, **I Squa**, or **SCurve**.

## Pulse Width Modulation

To adjust the frequency of the pulse width modulation:

1. Go to the **Settings** main level.
2. Select the **PWM Option** option.
3. Select the frequency, from **600Hz**, **2000Hz**, **15000Hz**, or **65000Hz**.

## LED Power

To set the maximum power of the LED output:

1. Go to the **Settings** main level.
2. Select the **LED POWER** option.
3. Set the power from **064–255**.

## Minimum Zoom Focus

To enable or disable the minimum zoom focus function:

1. Go to the **Settings** main level.
2. Select the **Min Zoom Focus** option.
3. Select from **NO** (disable), or **YES** (enable).

## Preset Selection

To select a preset configuration of menu options:

1. Go to the **Settings** main level.
2. Select the **Preset Select** option.
3. Select from **PRESET A** (default), **PRESET B**, or **PRESET C**.



- **Changes to settings automatically save to the currently selected Preset.**
- **If no Preset has been selected, changes to settings save to PRESET A.**
- **After selecting a Preset, the product will restart.**

## Operation

### Preset Synchronization

To transfer saved Presets from one Maverick Force X Spot to another:

1. Connect the Maverick Force X Spot products to receive the Presets by a DMX daisy chain.
2. Make the Maverick Force X Spot with the Presets to transfer the first in the DMX daisy chain.
3. Power on all of the products.
4. Set all of the products to a [Control Mode](#) other than **CRMX (DMX, ArtNet, or sACN)**.
5. On the Maverick Force X Spot with the Presets, go to the **Settings** main level.
6. Select the **Preset Sync** option.
7. Select **NO** (to cancel) or **YES** (to transfer the Presets to the connected products).



- **All menu configurations are transferred except for the IP address.**
- **ONLY connect Maverick Force X Spot products for this function!**

### Reset Function

To reset specific functions or the entire product:

1. Go to the **Settings** main level.
2. Select the **Reset Function** option.
3. Select the functions to reset, from **Pan/Tilt, Iris/Prism, Color/CMY, Gobo/Gobo Rotate, Frost** or **All**.
4. Select **NO** (to cancel) or **YES** (to reset the selected functions).

### Factory Reset

To reset the product to factory settings:

1. Go to the **Settings** main level.
2. Select the **Factory Reset** option.
3. Select **NO** (to cancel) or **YES** (to reset the product configuration).

### Test Mode

#### Auto Test

To have the Maverick Force X Spot automatically test all functions one after the other:

1. Go to the **Test** main level.
2. Select the **Auto Test** option.

#### Manual Test

To manually test an individual function of the Maverick Force X Spot:

1. Go to the **Test** main level.
2. Select the **Manual Test** option.
3. Select a function to test, from **Pan, Pan Fine, Tilt, Tilt Fine, P/T Speed, Dimmer, Dimmer Fine, Strobe, Virtual Shaking, Cyan, Magenta, Yellow, Color, Gobo, Gobo Rotate, Gobo Index, Gobo2, Focus, Focus Fine, Focus Auto, Zoom, Zoom Fine, Prism, Prism Rotate, Iris, Frost, CMY Macro, CMY Macro Speed, or Control**.
4. Increase or decrease the value of the selected function from **0–255** to test it.

### System Information

The information section of the menu displays statistics and the current status of the product's various functions. To view this information:

1. Go to the **Information** main level.
2. Select from the **Fixture Information, Fan Information, Error Information, or Channel Information** options.
3. Use **<UP>** and **<DOWN>** to view all information.

## Zero Adjust Mode

The Offset mode provides fine adjustments for the home position of every moving part in the optical path as well as the pan and tilt movements. To adjust these options and prevent borders showing or reduction of the light output:

1. From the [Home Screen](#), press and hold **<MENU>** until the passcode screen appears.
2. Enter the passcode: **0920** (use **<DOWN>** to cycle digits and **<UP>** to increase the number value) and press **<ENTER>**.
3. Select the “zero” position to adjust, from **PAN, TILT, COLOR, GOBO, GOBO ROTATE, GOBO2, FOCUS-GOBO, FOCUS-GOBO2, ZOOM, PRISM, IRIS, FROST, CYAN, MAGENTA, YELLOW, DIMMER1, DIMMER2, DIMMER3, DIMMER4, RDM ID4, RDM ID5, RDM ID6, MAC4, MAC5, or MAC6**.
4. Adjust the “zero” position for the selected function from **000–255**.

## Web Server

The Maverick Force X Spot Web Server can be accessed by any computer on the same network as the product. It allows network access to system information, settings such as control setup, manual testing of all functions, firmware updates, and the ability to change the Web Server password.

1. Connect the product to power, and set the [Control Mode](#) to **ArtNet** and the **IP Mode** to **Static**.
2. Connect the product to a Windows computer with a network cable.
3. On the computer, set the first value of the IP address of the new network to match the first value of the IP address of the product. The IP address of the product is displayed on the [Home Screen](#).
4. Enter the IP address of the product into the URL bar of a web browser on the computer.
5. Enter both the User Name and Password as **admin** to log in.

### Information

The Information page on the Web Server displays the current settings and the system information of the Maverick Force X Spot.

### Setup

The Setup page on the Web Server provides options for control, similar to the **Setup** menu on the product. Click **Save Settings** to send the new configuration to the product.

### Manual Test

The Manual Test page on the Web Server allows all output functions of the product to be controlled through the browser. To set all functions back to default, click **Reset**.

### Firmware Update

The Upgrade page on the Web Server allows the product to be updated with the latest firmware. Go to <https://www.chauvetprofessional.com> to download firmware updates.

### Security

The Security page on the Web Server gives the option to change the password to the connected product's web server. Enter the old password (**admin**, by default) and the new password twice, then click **Save Settings** to change the password.

## Error Codes

See the table below for error codes and recommended solutions:

Error Code	Possible Reason	Potential Solution
<b>AFAN1</b>	A Fan 1 is damaged	Replace A fan 1
	Fan wires have poor connection	Check fan wire connection
<b>AFAN2</b>	A Fan 2 is damaged	Replace A fan 2
	Fan wires have poor connection	Check fan wire connection
<b>COLOR</b>	Sensor board is damaged	Replace the color sensor board
	The magnetic rod of COLOR sensor board is dropped or installed upside down	Check the magnetic rod
<b>CPU-A</b>	The display PCB is damaged	Replace the display board
	CPU-A software upload failed	Re-upload the CPU-A software
<b>CPU-B</b>	The pan/tilt driver PCB is damaged	Replace the pan/tilt driver board
	CPU-B software upload failed	Re-upload the CPU-B software
<b>CPU-C</b>	The gobo/color motor driver PCB is damaged	Replace the gobo/color motor driver PCB
	CPU-C software upload failed	Re-upload the CPU-C software
<b>CPU-D</b>	The zoom/focus motor driver PCB is damaged	Replace the zoom/focus motor driver PCB
	CPU-D software upload failed	Re-upload the CPU-D software
<b>CYAN</b>	Sensor board is damaged	Replace the cyan sensor board
	The magnetic rod of the cyan sensor board is dropped or installed upside down	Check the magnetic rod
<b>DFAN1</b>	Fan 1 is damaged	Replace fan 1
	Fan wires have poor connection	Check fan wire connection
<b>DFAN2</b>	Fan 2 is damaged	Replace fan 2
	Fan wires have poor connection	Check fan wire connection
<b>Focus</b>	Sensor board is damaged	Replace the focus sensor board
	The magnetic rod of the focus sensor board is dropped or installed upside down	Check the magnetic rod
<b>Gobo</b>	Sensor board is damaged	Replace the gobo sensor board
	The magnetic rod of the gobo sensor board is dropped or installed upside down	Check the magnetic rod
<b>Gobo.R</b>	Sensor board is damaged	Replace the gobo rotation sensor board
	The magnetic rod of the gobo rotation sensor board is dropped or installed upside down	Check the magnetic rod
<b>Gobo2</b>	Sensor board is damaged	Replace the gobo2 sensor board
	The magnetic rod of the gobo2 sensor board is dropped or installed upside down	Check the magnetic rod
<b>LED_Hot</b>	LED overheated	Do a factory reset
		Update software
		Check connections
		Check fan functions

Error Code	Possible Reason	Potential Solution
<b>MAGENTA</b>	Sensor board is damaged	Replace the magenta sensor board
	The magnetic rod of the magenta sensor board is dropped or installed upside down	Check the magnetic rod
<b>Prism</b>	Prism1 sensor board is damaged	Replace the prism 1 sensor board
	The magnetic rod of the prism 1 sensor board is dropped or installed upside down	Check the magnetic rod
<b>R-OPEN</b>	Thermistor open	Do a factory reset
		Update software
		Check connections
		Replace thermistor
<b>R-SHORT</b>	Thermistor short	Do a factory reset
		Update software
		Check connections
		Replace thermistor
<b>X_cm</b>	Pan magnetic locating board is damaged	Replace the pan magnetic locating board
	Pan/tilt driver board is damaged	Replace the pan/tilt driver board
<b>X_op</b>	Pan optocoupler board is damaged	Replace the pan optocoupler board
	Pan/tilt driver board is damaged	Replace the pan/tilt driver board
<b>Y_cm</b>	Tilt magnetic locating board is damaged	Replace the tilt magnetic locating board
	Pan/tilt driver board is damaged	Replace the pan/tilt driver board
<b>Y_op</b>	Tilt optocoupler board is damaged	Replace the tilt optocoupler board
	Pan/tilt driver board is damaged	Replace the pan/tilt driver board
<b>YELLOW</b>	Sensor board is damaged	Replace the yellow sensor board
	The magnetic rod of the yellow sensor board is dropped or installed upside down	Check the magnetic rod
<b>ZFan1</b>	Z Fan 1 is damaged	Replace Z fan 1
	Fan wires have poor connection	Check fan wire connection
<b>Zoom</b>	Sensor board is damaged	Replace the zoom sensor board
	The magnetic rod of the zoom sensor board is dropped or installed upside down	Check the magnetic rod

# 5. Maintenance

## Product Maintenance

Dust build-up reduces light output performance and can cause overheating. This can lead to reduction of the light source's life and/or mechanical wear. To maintain optimum performance and minimize wear, clean each lighting product at least twice a month. However, be aware that usage and environmental conditions could be contributing factors to increase the cleaning frequency.

To clean the product, follow the instructions below:

1. Unplug the product from power.
2. Wait until the product is at room temperature.
3. Use a vacuum (or dry compressed air) and a soft brush to remove dust collected on the external surface/vents.
4. Clean all transparent surfaces with a mild soap solution, ammonia-free glass cleaner, or isopropyl alcohol.
5. Apply the solution directly to a soft, lint free cotton cloth or a lens cleaning tissue.
6. Softly drag any dirt or grime to the outside of the transparent surface.
7. Gently polish the transparent surfaces until they are free of haze and lint.



**Always dry the transparent surfaces carefully after cleaning them.**



**Do not spin the cooling fans with compressed air. Damage may result.**

## Gobo Maintenance

To ensure optimal operation, 1) inspect and 2) clean gobos every four months. More frequent maintenance may be necessary if usage is higher.

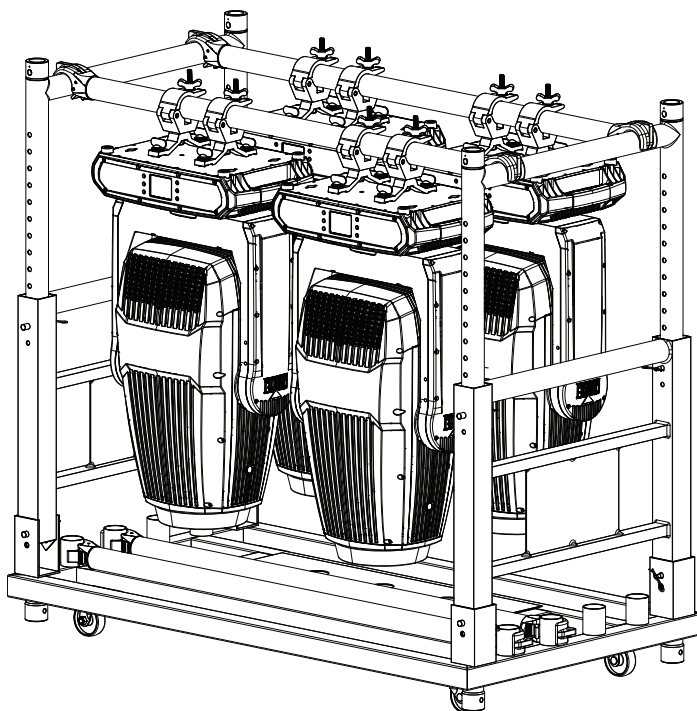
To inspect, remove each gobo holder and check if:

- The holders are clean (free of dirt, grime, or gunk).
- The gobos are properly installed in the holders.
- All the bearings are in place.
- The holders are rotating freely.

To clean the gobos and the gobo holder, follow the instructions below:

1. Remove the gobos from the holder.
2. Clean the gobos with a soft, lint-free cotton cloth. Use an ammonia-free glass cleaner sprayed to a piece of lint-free cotton cloth to clean glass gobos.
3. Submerge the gobo holder (without the gobo installed) in a container with a liquid lubricant (i.e., WD40) and let it rest for a couple of minutes.
4. Shake the container with the gobo holder inside to help release/loosen any gunk/grime/dirt.
5. Take the gobo holder out of the container and clean it using a small nylon brush.
6. Wipe off all the lubricant from the gobo holder using a piece of lint-free cotton cloth.
7. Apply a small coat of synthetic oil (i.e., Liquid Bearings) to the bearings and rotate it thoroughly in both directions (needle tip applicator recommended). Make sure the gobo holder is rotating freely and is not making any abnormal noise.
8. Reinstall the gobos in the gobo holder. Make sure the gobos are in the correct positions.
9. Reinstall the gobo holder in the unit.

## Transporting on Truss or Racks



When transporting fixtures in pre-rigged truss and transportation racks, mount fixtures in the vertical position with the lenses facing down and the pan and tilt locks engaged. This is to prevent undue stress on the tilt locks and limit the amount of off-axis bounce on internal components.

## Technical Specifications

### 6. Technical Specifications

**Dimensions and Weight:** Dimensions in inches are rounded.

Length	Width	Height	Weight
14.2 in (361 mm)	9.4 in (239 mm)	25.4 in (646 mm)	44.2 lb (20 kg)

#### Power

Power Supply Type	Range	Voltage Selection
Switching (internal)	100 to 240 VAC, 50/60 Hz	Auto-ranging

Parameter	100 V, 60 Hz	120 V, 60 Hz	208 V, 60 Hz	230 V, 50 Hz	240 V, 50 Hz
Consumption	565 W	554 W	541 W	542 W	541 W
Operating Current	5.66 A	4.64 A	2.68 A	2.44 A	2.34 A
Power Linking Current	12 A	12 A	12 A	12 A	12 A

Power I/O	U.S./Worldwide	UK/Europe
Power Input Connector	Seetronic Powerkon IP65	Seetronic Powerkon IP65
Power Output Connector	Seetronic Powerkon IP65	Seetronic Powerkon IP65
Power Cable plug	Edison	Local plug

#### Light Source

Type	Color	Quantity	Power	Current	Lifespan
LED	Cool White	1	520 W	4.2 A	50,000 hours

#### Photometrics

Color Temperature (at full)	Color Temperature (CTB)	CRI	CRI with filter
6462 K	7946K	72.2	90

TLCI	TLCI with CRI filter	CQS	CQS with CRI filter
50	78	69.6	89.8

Beam Angle	Field Angle	Cutoff Angle	Zoom Range
3.5° to 51.3°	3.7° to 56.3°	3.9° to 57.7°	3.5° to 57.7°

Illuminance @ 5 m (Narrow)	Illuminance @ 5 m (Wide)	Lumens - Output
93,084 lux	1,135 lux	17,325 lux

#### Acoustic

Parameter	Idle	Max	ECO	Auto	Full	TV25	TV35
Sound pressure level @1m	33.6 dBA	42.4 dBA	34.5 dBA	36.6 dBA	39.7 dBA	34.5 dBA	34.5 dBA

#### Thermal

Maximum External Temperature	Cooling System
113 °F (45 °C)	Fan-assisted Convection

#### Control

DMX I/Oconnector	Channel Range
3 and 5-pin XLR	22 or 29

Art-Net™/sACN	Channel Range
Seetronic etherCON	22 or 29

#### Ordering

Product Name	Item Name	Item Code	UPC Number
Maverick Force X Spot	MAVERICKFORCEXPOT	08012672	781462230203



UL 1573  
CSA C22.2 No. 166  
E113093



## Contact Us

General Information	Technical Support
<b>Chauvet World Headquarters</b>	
Address: 3360 Davie Rd., Suite 509 Davie, FL 33314 Voice: (954) 577-4455 Fax: (954) 929-5560 Toll Free: (800) 762-1084	Voice: (844) 393-7575 Fax: (954) 756-8015 Email: <a href="mailto:chauvetcs@chauvetlighting.com">chauvetcs@chauvetlighting.com</a> Website: <a href="http://www.chauvetprofessional.com">www.chauvetprofessional.com</a>
<b>Chauvet U.K.</b>	
Address: Pod 1 EVO Park Little Oak Drive, Sherwood Park Nottinghamshire, NG15 0EB UK Voice: +44 (0) 1773 511115 Fax: +44 (0) 1773 511110	Email: <a href="mailto:UKtech@chauvetlighting.eu">UKtech@chauvetlighting.eu</a> Website: <a href="http://www.chauvetprofessional.eu">www.chauvetprofessional.eu</a>
<b>Chauvet Benelux</b>	
Address: Vaartlaan 9 9800 Deinze Belgium Voice: +32 9 388 93 97	Email: <a href="mailto:BNLtech@chauvetlighting.eu">BNLtech@chauvetlighting.eu</a> Website: <a href="http://www.chauvetprofessional.eu">www.chauvetprofessional.eu</a>
<b>Chauvet France</b>	
Address: 3, Rue Ampère 91380 Chilly-Mazarin France Voice: +33 1 78 85 33 59	Email: <a href="mailto:FRtech@chauvetlighting.fr">FRtech@chauvetlighting.fr</a> Website: <a href="http://www.chauvetprofessional.eu">www.chauvetprofessional.eu</a>
<b>Chauvet Germany</b>	
Address: Bruno-Bürgel-Str. 11 28759 Bremen Germany Voice: +49 421 62 60 20	Email: <a href="mailto:DEtech@chauvetlighting.de">DEtech@chauvetlighting.de</a> Website: <a href="http://www.chauvetprofessional.eu">www.chauvetprofessional.eu</a>
<b>Chauvet Mexico</b>	
Address: Av. de las Partidas 34 - 3B (Entrance by Calle 2) Zona Industrial Lerma Lerma, Edo. de México, CP 52000 Voice: +52 (728) 690-2010	Email: <a href="mailto:servicio@chauvet.com.mx">servicio@chauvet.com.mx</a> Website: <a href="http://www.chauvetprofessional.mx">www.chauvetprofessional.mx</a>

## Warranty & Returns

For warranty terms and conditions and return information, please visit our website.

For customers in the United States and Mexico: [www.chauvetlighting.com/warranty-registration](http://www.chauvetlighting.com/warranty-registration).

For customers in the United Kingdom, Republic of Ireland, Belgium, the Netherlands, Luxembourg, France, and Germany: [www.chauvetlighting.eu/warranty-registration](http://www.chauvetlighting.eu/warranty-registration).