

WELL FIT X

WIRELESS EVENT LED LUMINAIRE

User Manual



Model ID: WELLFITXX6

Edition Notes

The WELL Fit X X6 User Manual includes a description, safety precautions, installation, programming, operation, and maintenance instructions for the WELL Fit X X6 as of the release date of this edition.

Trademarks

Chauvet, Chauvet Professional, the Chauvet logo, WELL and WELL Fit are registered trademarks or trademarks of Chauvet & Sons, LLC (d/b/a Chauvet and Chauvet Lighting) in the United States and other countries. Other company and product names and logos referred to herein may be trademarks of their respective companies.

Copyright Notice

The works of authorship contained in this manual, including, but not limited to, all designs, text, and images are owned by Chauvet.

© Copyright 2026 Chauvet & Sons, LLC. All rights reserved.

Electronically published by Chauvet in the United States of America.

Manual Use

Chauvet authorizes its customers to download and print this manual for professional information purposes only. Chauvet expressly prohibits the usage, copy, storage, distribution, modification, or printing of this manual or its content for any other purpose without written consent from Chauvet.

Document Printing

For best results, print this document in color, on letter size paper (8.5 x 11 in), double-sided. If using A4 paper (210 x 297 mm), configure the printer to scale the content accordingly.

Intended Audience

Any person installing, operating, and/or maintaining this product should completely read through the guide that shipped with the product, as well as this manual, before installing, operating, or maintaining this product.

Disclaimer

Chauvet believes that the information contained in this manual is accurate in all respects. However, Chauvet assumes no responsibility and specifically disclaims any and all liability to any party for any loss, damage, or disruption caused by any errors or omissions in this document, whether such errors or omissions result from negligence, accident, or any other cause. Chauvet reserves the right to revise the content of this document without any obligation to notify any person or company of such revision. However, Chauvet has no obligation to make, and does not commit to make, any such revisions.

Document Revision

Go to www.chauvetprofessional.com for the latest version.

Revision	Date	Description
5	05/2026	Corrected Charging Case USB Software Update instructions.

TABLE OF CONTENTS

- 1. Before You Begin** 1
 - What Is Included 1
 - Claims 1
 - Text Conventions 1
 - Symbols 1
 - Safety Notes..... 2
 - Battery Charge Notes..... 3
 - Storage Notes 3
 - FCC Statement of Compliance 4
 - RF Exposure Warning for North America and Australia..... 4
 - Expected LED Lifespan..... 4
- 2. Introduction** 5
 - Features 5
 - Product Overview 5
 - Product Dimensions 6
 - Charging Case Overview 6
 - Charging Case Dimensions 7
- 3. Setup** 8
 - AC Power 8
 - AC Plug 8
 - Fuse Replacement 8
 - Power Linking..... 8
 - DMX Linking..... 8
 - DMX Personalities..... 8
 - Remote Device Management..... 9
 - Master/Slave Connectivity..... 9
 - Lumenradio CRMX™ Connection 9
 - Receiver Configuration 9
 - Transmitter Configuration 10
 - USB Software Update 11
 - Charging Case USB Software Update 11
 - Mounting 12
 - Orientation..... 12
 - Rigging 12
 - Procedure..... 12
- 4. Operation** 13
 - Control Panel Description 13
 - Control Options 13
 - Programming..... 13
 - Home Screen 13
 - Control Panel Lock..... 13
 - Passcode 13
 - Menu Map 14

DMX Configuration	16
DMX Personalities	16
Starting Address	16
DMX Channel Assignments and Values	17
Color Macro Chart	17
Color Temperature Chart	17
Control Chart	17
DMX Chart	18
Standalone Configuration	19
Static Mode	19
Fixed Color	19
Color Temperature	19
Manual Color Mixer	19
Auto Show	19
Settings Configuration	19
Master/Slave	19
Dimmer Curve	19
Dimmer Speed Mode	19
White Balance	20
Pulse Width Modulation	20
Power Loss Mode	20
Run Time Mode	20
Display Backlight	20
Information	20
Beep Alarm	20
Factory Reset	20
Radio Frequency Configuration	21
RF Setting	21
RF Controller Operation	21
Error Codes	21
5. Maintenance	22
Product Maintenance	22
Torque Measurements	22
Vacuum Test Measurements	22
6. Technical Specifications	23
Contact Us	24
Warranty & Returns	24

Before You Begin

1. Before You Begin

What Is Included

- WELL Fit X X6
- Charging case
- RF Controller
- TRUE1 power cable
- Quick Reference Guide

Claims

Carefully unpack the product immediately and check the container to make sure all the parts are in the package and are in good condition.





If the box or the contents (the product and included accessories) appear damaged from shipping, or show signs of mishandling, notify the carrier immediately, not Chauvet. Failure to report damage to the carrier immediately may invalidate a claim. In addition, keep the box and contents for inspection.

For other issues, such as missing components or parts, damage not related to shipping, or concealed damage, file a claim with Chauvet within 7 days of delivery.

Text Conventions

Convention	Meaning
1–512	A range of values
50/60	A set of values of which only one can be chosen
Settings	A menu option not to be modified
<ENTER>	A key to be pressed on the product's control panel

Symbols

Symbol	Meaning
	Electrical warning. Not following these instructions may cause electrical damage to the product, accessories, or the user.
	Critical installation, configuration, or operation information. Not following these instructions may make the product not work, cause damage to the product, or cause harm to the operator.
	Important installation or configuration information. The product may not function correctly if this information is not used.
	Useful information.



Any reference to data or power connections in this manual assumes the use of Seetronic IP-rated cables.



The term “DMX” used throughout this manual refers to the USITT DMX512-A digital data transmission protocol.

Safety Notes

Read all the following safety notes before working with this product. These notes contain important information about the installation, usage, and maintenance of this product.



This product contains no user-serviceable parts. Any reference to servicing in this User Manual will only apply to properly trained, certified technicians. Do not open the housing or attempt any repairs.



All applicable local codes and regulations apply to proper installation of this product.

- The luminaire is intended for professional use only.
- The luminaire should be positioned so that prolonged staring into the luminaire at a distance closer than 1.6 ft (0.5 m) is not expected.
- If the external flexible cable or cord of this luminaire is damaged, it shall be replaced by a special cord or cord exclusively available from the manufacturer or its service agent.
- The light source contained in this luminaire shall only be replaced by the manufacturer or its service agent or a similar qualified person.
- **CAUTION:**
 - This product's housing may be hot when operating. Mount this product in a location with adequate ventilation, at least 20 in (50 cm) from adjacent surfaces.
 - When transferring the product from extreme temperature environments, (e.g., cold truck to warm humid ballroom) condensation may form on the internal electronics of the product. To avoid causing a failure, allow the product to fully acclimate to the surrounding environment before connecting it to power.
 - Flashing light is known to trigger epileptic seizures. User must comply with local laws regarding notification of strobe use.
- **ALWAYS:**
 - Disconnect from power before cleaning the product or replacing the fuse.
 - When using an IP65-rated product in an outdoor environment, use IP65- (or higher) rated power and data cable.
 - Replace and secure IP-rated protective covers to all power, data, USB, or other ports when not in use.
 - Replace the fuse with the same type and rating.
 - Use a safety cable when mounting this product overhead.
 - Connect this product to a grounded and protected circuit.
- **DO NOT:**
 - Open this product. It contains no user-serviceable parts.
 - Look at the light source when the product is on.
 - Leave any flammable material within 50 cm of this product while operating or connected to power.
 - Connect this product to a dimmer or rheostat.
 - Operate this product if the housing, lenses, or cables appear damaged.
 - Submerge this product (adhere to standards for the published IP rating). Regular outdoor operation is fine.
 - Permanently install outdoors in locations with extreme environmental conditions. This includes, but is not limited to:
 - Exposure to a marine/saline environment (within 3 miles of a saltwater body of water).
 - Locations where normal temperatures exceed the temperature ranges in this manual.
 - Locations that are prone to flooding or being buried in snow.
 - Other areas where the product will be subject to extreme radiation or caustic substances.
 - **ONLY** use the hanging/mounting bracket to carry this product.
 - The maximum ambient temperature is 113 °F (45 °C). Do not operate this product at higher temperatures.
 - The minimum startup temperature is -4°F (-20°C). Do not start the product at lower temperatures.
 - The minimum ambient temperature is -22°F (-30°C). Do not operate the product at lower temperatures.
 - To eliminate unnecessary wear and improve its lifespan, during periods of non-use completely disconnect the product from power via breaker or by unplugging it.
 - In the event of a serious operating problem, stop using immediately.



If this Chauvet product requires service, contact Chauvet Technical Support.

Before You Begin

Battery Charge Notes

Rechargeable lithium-ion batteries are potentially hazardous and can present a serious FIRE HAZARD, SERIOUS INJURY, and/or PROPERTY DAMAGE if damaged, defective, or improperly used.

- **ALWAYS:**

- Charge using a manufacturer-provided charger while the product is powered off.
- Charge the battery in temperatures between 32°–95°F (0°–35°C).
- Allow a depleted battery to charge for a few minutes before turning on the product. If the battery is completely discharged, the device cannot be turned on immediately when the charger is connected.
- Keep at least 3 ft (1 m) distance to any heat source and away from flammable materials.
- Keep batteries away from children.
- Store batteries between 40–60% charge.
- Follow local regulations when disposing of batteries.
- Replace with an authentic Chauvet battery.



- **DO NOT:**

- Continue charging if the battery becomes hot, smokes, swells, or gives off an odor during charging.
- Leave the product unattended while charging.
- Deplete the battery below 10%.
- Charge for more than 24 hours.



CAUTION! Fixture must be powered off before placing in the case!

- WELL Fit X fixtures will shut off automatically when placed in the charging case, but it is recommended to turn off the power manually to prevent potential damage.



Ensure the USB-C port cover is closed and the foot is fully retracted before placing the product in the charging case. Not doing so may result in an incomplete charging connection.

Storage Notes

Follow the instructions below when storing the WELL Fit X:

- Store charged product(s) in a dry environment, away from direct sunlight.
- Charge or discharge the battery to approximately 50% of capacity before storage.
- Lithium-ion batteries continue to slowly discharge (self-discharge) when not in use or while in storage. Routinely check the battery's charge status.
- Store the battery at temperatures between 41 °F and 68 °F (5 °C and 20 °C).

FCC Statement of Compliance

This device complies with Part 15 Part B of the FCC rules. Operation is subject to the following two conditions:

1. This device may not cause harmful interference, and
2. This device must accept any interference received, including interference that may cause undesired operation.

This equipment has been tested and found to comply with the limits for a Class B digital device, pursuant to Part 15 of the FCC Rules. These limits are designed to provide reasonable protection against harmful interference in a residential installation. This equipment generates uses and can radiate radio frequency energy and, if not installed and used in accordance with the instructions, may cause harmful interference to radio communications. However, there is no guarantee that interference will not occur in a particular installation. If this equipment does cause harmful interference to radio or television reception, which can be determined by turning the equipment off and on, the user is encouraged to try to correct the interference by one or more of the following measures:

- Reorient or relocate the receiving antenna.
- Increase the separation between the equipment and receiver.
- Connect the equipment into an outlet on a circuit different from that to which the receiver is connected.
- Consult the dealer or an experienced radio/TV technician for help.

Any changes or modifications not expressly approved by the party responsible for compliance could void the user's authority to operate the equipment.

RF Exposure Warning for North America and Australia

Warning! This equipment complies with FCC radiation exposure limits set forth for an uncontrolled environment. This equipment should be installed and operated with a minimum distance of 20 cm between the radiator and the user. This transmitter must not be co-located or operating in conjunction with any other antenna or transmitter.

Expected LED Lifespan

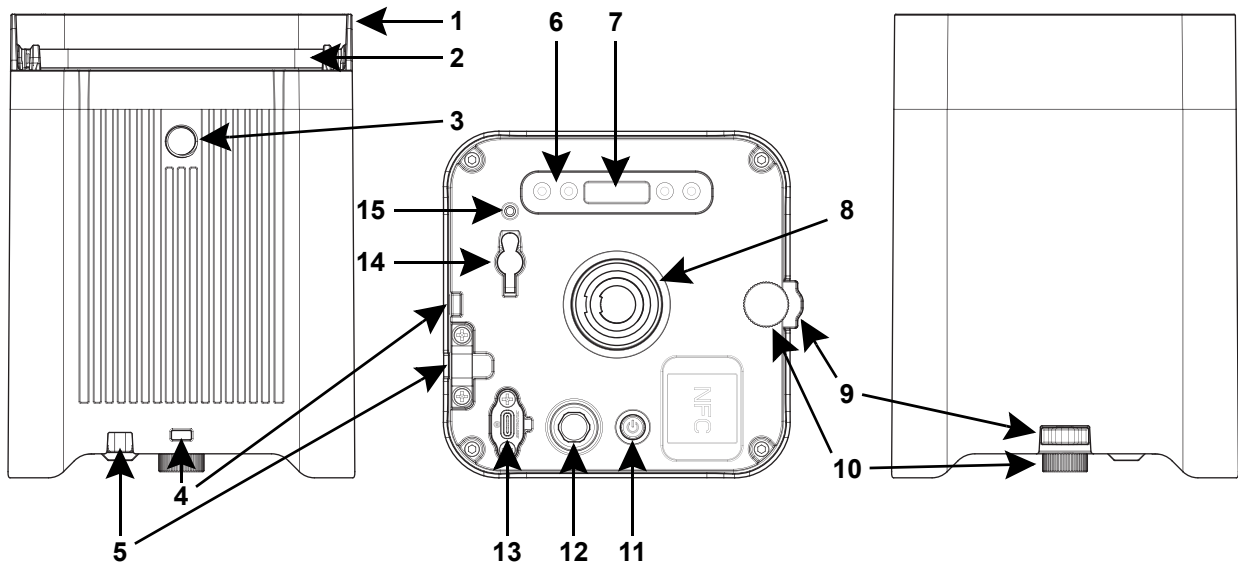
Over time, use and heat will gradually reduce LED brightness. Clustered LEDs produce more heat than single LEDs, contributing to shorter lifespans if always used at full intensity. The average LED lifespan is 40,000 to 50,000 hours. To extend LED lifespan, maintain proper ventilation around the product, and limit the overall intensity.

2. Introduction

Features

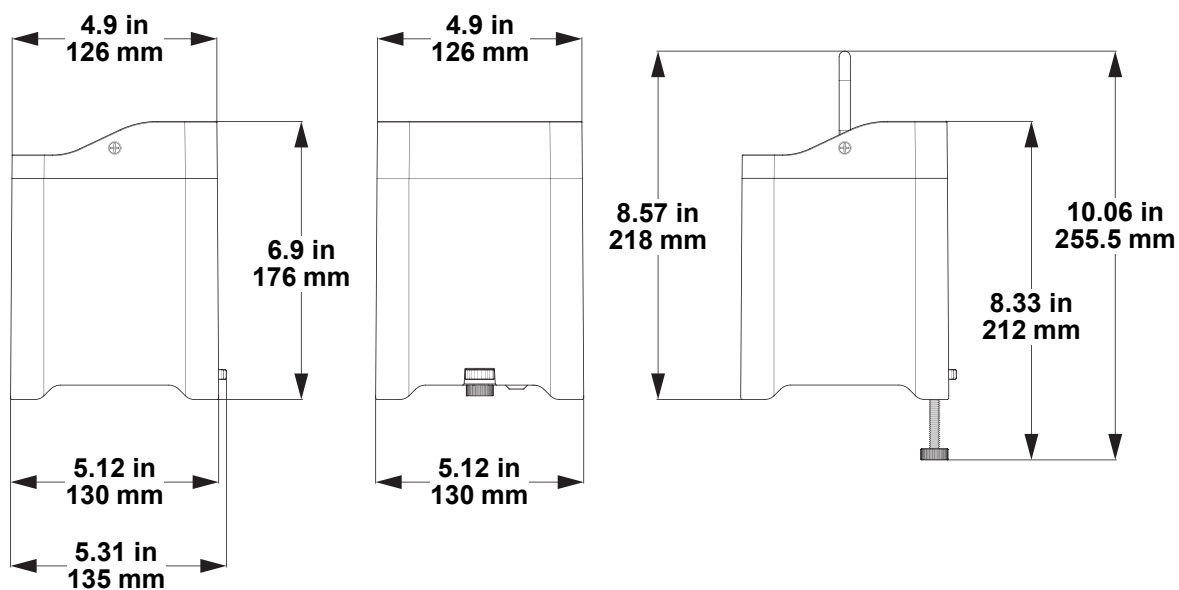
- A fully realized kit of (6) battery operated chrome IP65-rated upright-style fixtures with (9) RGB warm white LEDs, and a beam angle of 11.3 degrees
- Battery run time selections of 5, 8, 12, and 18 hours of operation at full output
- Built-in battery charger allows fixture to operate while charging
- Control over RDM, CRMX, or RF
- Easy connection to WELL CONNECT box and CHAUVET CONNECT app
- USB-C port for convenient software updates
- Pressure equalizing M6 Gore valve
- Adjustable front foot for adjusting fixture angle
- Kensington lock position
- Built-in safety cable attachment point
- Easy-to-read OLED display
- Built-in theft alarm (audio and visual notification)
- Built-in PWM adjustment
- Included RF remote
- Included 6 pack charging case

Product Overview

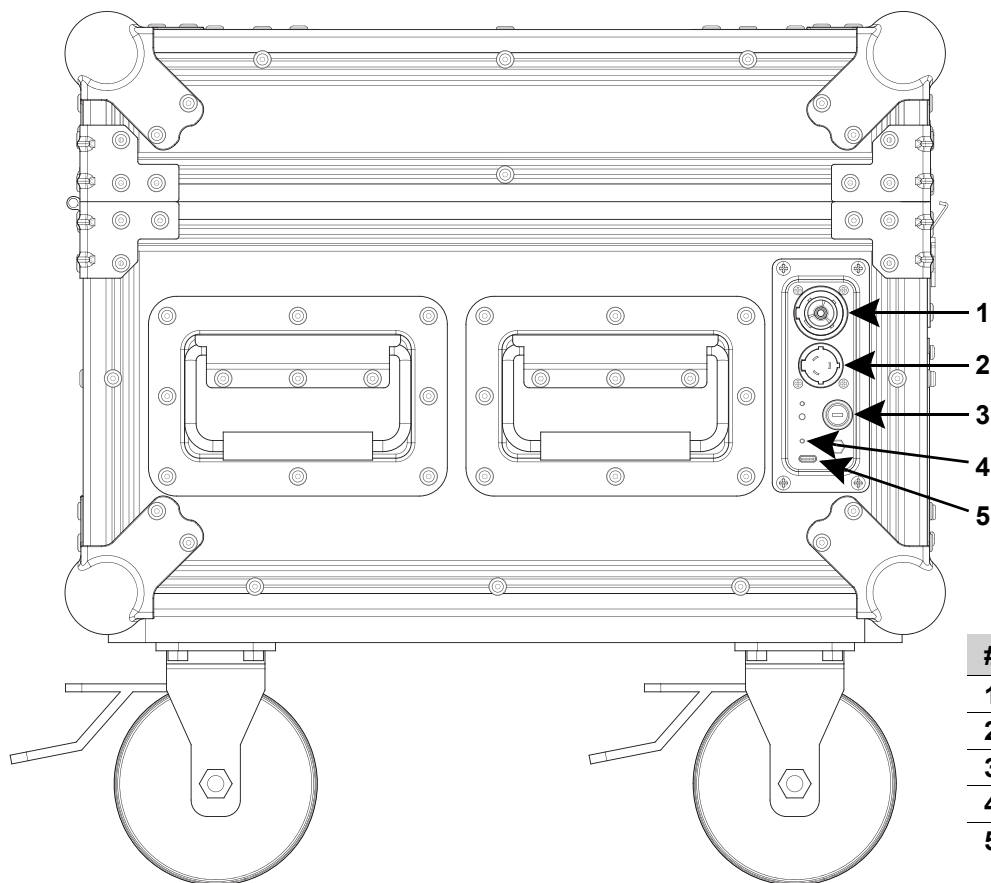


#	Name	#	Name	#	Name
1	Glare shield	6	Menu buttons	11	Power button
2	Carry handle	7	Menu display	12	GORE® valve
3	M12 threaded mounting hole	8	Charging case power in	13	USB type-C port
4	Kensington security slot	9	Foot latch button	14	External adapter power in
5	Safety cable pass-through	10	Foot	15	Indicator

Product Dimensions

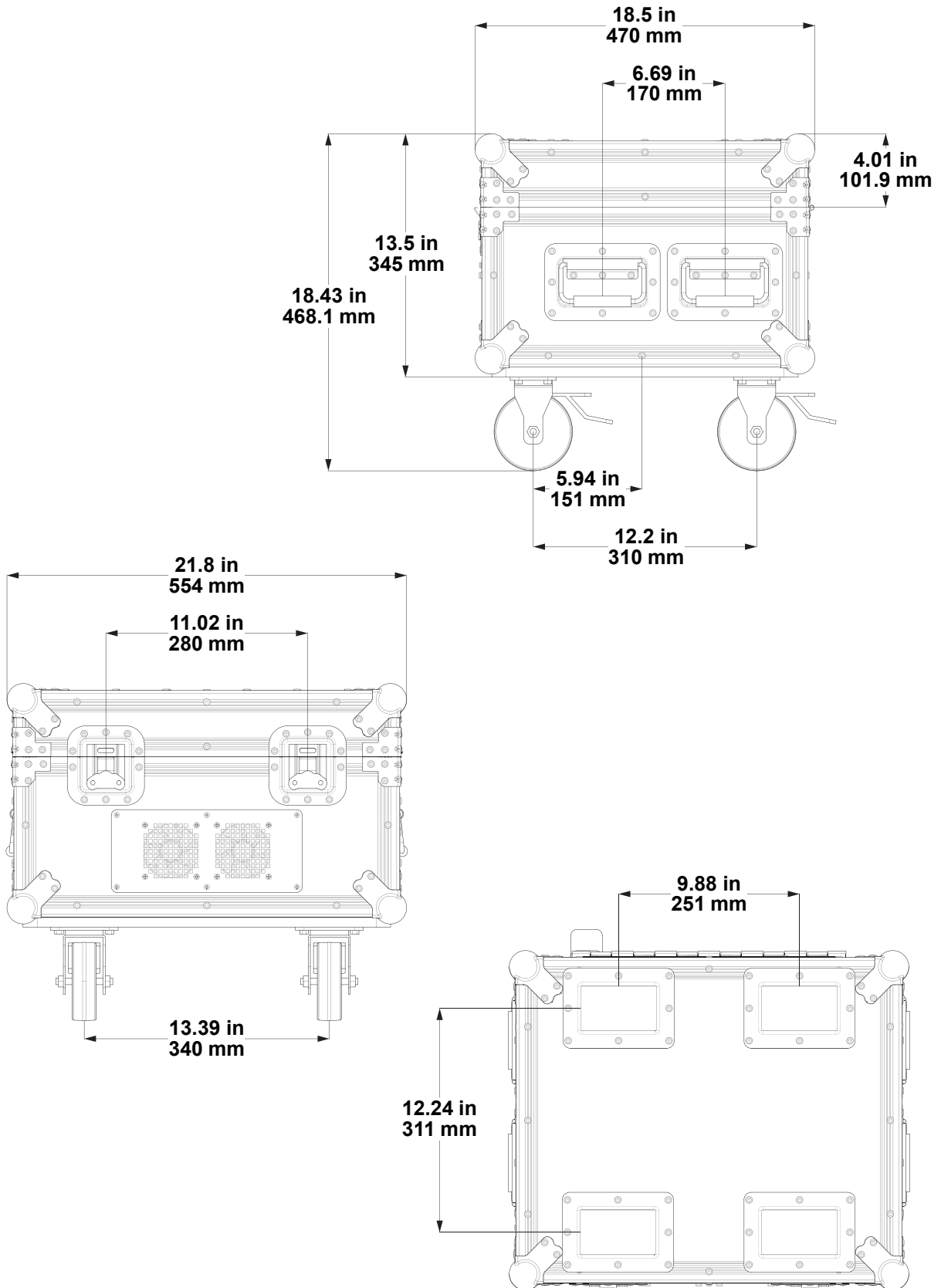


Charging Case Overview



#	Name
1	Power out
2	Power in
3	Fuse holder
4	Indicator
5	USB type-C port

Charging Case Dimensions



3. Setup

AC Power

The WELL Fit X and the charging case included with the WELL Fit X X6 have auto-ranging power supplies and they can work with an input voltage range of 100 to 240 VAC, 50/60 Hz.

To determine the product's power requirements (circuit breaker, power outlet, and wiring), use the current value listed on the label affixed to the product's back panel, or refer to the product's specifications chart. The listed current rating indicates the product's average current draw under normal conditions.



- **Always connect the product to a protected circuit (a circuit breaker or fuse). Ensure the product has an appropriate electrical ground to avoid the risk of electrocution or fire.**
- **To eliminate unnecessary wear and improve its lifespan, during periods of non-use completely disconnect the product from power via breaker or by unplugging it.**



Never connect the product to a rheostat (variable resistor) or dimmer circuit, even if the rheostat or dimmer channel serves only as a 0 to 100% switch.

AC Plug

The WELL Fit X X6 comes with a power input cable terminated with a TRUE1 connector on one end and an Edison plug on the other end (U.S. market). If the power cable which came with the product has no plug, or if it is necessary to change the plug, use the table below to wire a plug.

Connection	Wire (U.S.)	Wire (Europe)	Screw Color
AC Live	Black	Brown	Yellow or Brass
AC Neutral	White	Blue	Silver
AC Ground	Green/Yellow	Green/Yellow	Green

Fuse Replacement

1. Disconnect this product from the power outlet.
2. Using a flat-head screwdriver, unscrew the fuse holder cap from the housing.
3. Remove the blown fuse and replace with another fuse of the same type and rating (T 5 A, 250 V).
4. Screw the fuse holder cap back in place and reconnect power.

Power Linking

It is possible to power link WELL Fit X X6 charging cases. See the table below for the current draw at each voltage and frequency:

	100 V, 60 Hz	120 V, 60 Hz	208 V, 60 Hz	230 V, 50 Hz	240 V, 50 Hz
Current Draw	4.33 A	3.68 A	2.52 A	2.30 A	2.15 A

Never exceed 12 A on a single circuit. Power-linking cables can be purchased separately.

DMX Linking

The WELL Fit X can be linked to a DMX controller using a Lumenradio CRMX™ connection. If using other DMX-compatible products with this product, it's possible to control each individually with a single DMX controller.

DMX Personalities

The WELL Fit X uses a wireless CRMX™ connection for its 3 DMX personalities, ranging from **5 Ch** to **12 Ch**.

- Refer to the [Operation](#) chapter to learn how to configure the WELL Fit X to work in these personalities.
- The [DMX Channel Assignments and Values](#) section provides detailed information regarding the DMX personalities.



For information about DMX standards, Master/Slave connectivity, or the DMX cables needed to link this product to a DMX controller, download the DMX Primer from the Chauvet website: www.chauvetprofessional.com.

Remote Device Management

Remote Device Management, or RDM, is a standard for allowing DMX-enabled devices to communicate bi-directionally along existing DMX connections. Check the DMX controller's User Manual or with the manufacturer as not all DMX controllers have this capability. The WELL Fit X supports RDM protocol that allows feedback to make changes to menu map options.

Master/Slave Connectivity

The Master/Slave mode allows a WELL Fit X (the master) to control one or more WELL Fit X products (the slaves) without a DMX controller. One WELL Fit X becomes the master when running an auto program or in Static mode.

Each slave's control panel must be configured to operate in Slave mode. During Master/Slave operation, the slaves will operate in unison with the master.



DO NOT connect a DMX controller to products operating in Master/Slave mode. The DMX controller signals may interfere with the signals from the master.



- The [Operation](#) section of this manual provides detailed instructions on how to configure the master and slaves.
- For more information about DMX standards, download the DMX primer from the Chauvet website: www.chauvetprofessional.com.

Lumenradio CRMX™ Connection

In optimal conditions, the WELL Fit X can operate up to 300 m (900 ft) away from the CRMX™ transmitter. The CRMX™ receiver in the WELL Fit X must be paired with the CRMX™ transmitter for wireless operation.

To operate the WELL Fit X as a CRMX™ receiver, see [Receiver Configuration](#).

To operate the WELL Fit X as a CRMX™ transmitter, see [Transmitter Configuration](#).

Receiver Configuration

1. Turn the CRMX™ transmitter on.
2. Connect the CRMX™ transmitter to a DMX controller.
3. Place the WELL Fit X within 300 m from the CRMX™ transmitter.
4. Turn the WELL Fit X on.
5. From the WELL Fit X's control panel, go to **DMX Address**.
6. Select the starting address, as with any other DMX compatible product.
7. Go to **Wireless Setting > CRMX On/Off**.
8. Select **On**. (The Signal Strength Indicator will show a ? in front of the bars)
9. Go to **Wireless Setting > Operating Mode**.
10. Select **Receive**. (The **Receive Reset** option will become available)
11. Press the reset button on the CRMX™ transmitter. (The signal strength indicator on the WELL Fit X will show a 4 in front of the bars for 3 seconds while a connection is established.)

Product Pairing

If the WELL Fit X has already been paired with the CRMX™ transmitter, the signal strength indicator on top of the display will show the strength of the signal. In this case, the WELL Fit X is ready to work in Wireless mode.

Pairing the WELL Fit X and a New CRMX™ Transmitter

1. Follow the instructions under [Receiver Configuration](#) to set a WELL Fit X product up as a receiving WELL Fit X.
2. From the WELL Fit X control panel, go to **Wireless Setting > Receive Reset**.
3. Select **Yes**.
4. From the CRMX™ transmitter, press **<RESET>**. The signal indicator on the transmitter will flash.
5. Once the transmitter has found the WELL Fit X, the signal indicator on the CRMX™ transmitter will illuminate solid.
6. The display screen on the WELL Fit X will show the strength of the signal.



CRMX™ operation can be interrupted or inhibited by people or liquid masses, including water or snow, between the transmitter and receiver. For best results, keep the area between the transmitter and receiver clear of any liquid masses.

Transmitter Configuration

The WELL Fit X can operate as a CRMX™ transmitter for master/slave mode.

1. From the WELL Fit X's control panel, go to **DMX Address**.
2. Select the starting address, as with any other DMX compatible product.
3. Go to **Wireless Setting > CRMX On/Off**.
4. Select **On**. (The signal strength indicator will show a ? in front of the bars)
5. Go to **Wireless Setting > Operating Mode**.
6. Select **Transmit**. (The **Link** option will become available)

Product Linking

If the WELL Fit X has already been linked to a receiving product, the signal strength indicator on top of the display will show the strength of the signal. In this case, the WELL Fit X is ready to work in wireless mode.

Linking WELL Fit X products with CRMX™

1. Follow the instructions under [Receiver Configuration](#) and set up a WELL Fit X product as a receiving WELL Fit X.
2. Follow the instructions under [Transmitter Configuration](#) and set up a WELL Fit X product as a transmitting WELL Fit X.
3. From the control panel of the transmitting WELL Fit X, go to **Wireless Setting > Link**.
4. If the transmitting WELL Fit X has already been linked to a receiving product and it is necessary to link it to a new receiving product, select **Unlink**.
5. If necessary, return to **Wireless Setting > Link**.
6. Select **Link**.
1. From the control panel of the receiving WELL Fit X, go to **Wireless Setting > Receive Reset**.
2. Select **Yes**.
3. Once the transmitter has found the receiver, the signal indicator on the transmitter will illuminate solid.
4. The display screen on each WELL Fit X will show the strength of the signal.



CRMX™ operation can be interrupted or inhibited by people or liquid masses, including water or snow, between the transmitter and receiver. For best results, keep the area between the transmitter and receiver clear of any liquid masses.

USB Software Update

The WELL Fit X allows for a software update through USB using the built-in USB port. To update the software using a USB flash drive, do the following:

1. Create a folder on the USB drive named "**wellfitx**" and drag the software onto it.
2. Power on the product and plug the flash drive into the USB port.
3. Once the flash drive has been detected, the message "**Upgrade Firmware**" will be displayed. Press **<ENTER>**.
 - If a different message appears on the display, search for the software update in the menu (**Upgrade Firmware**) and select **Only This Fixture**. A list of the software update files will be displayed.
4. Select the file that is necessary to upload. The message "**Are you sure?**" will be displayed. Press **<ENTER>**.



If the selected file is incorrect, the upgrade will fail, and the display will go back to the main interface. Repeat steps 1-3 using the correct file.

5. If the selected file is correct, the update will start. **DO NOT** turn off power or disconnect the USB during the process. The USB update can take several minutes to complete.
6. When the update is complete, the product will automatically reboot.
7. Go to the **Information** level of the product menu map and confirm the firmware revision.
8. When the boot-up process is finished, restart the product.



- **Place the .chl file in the root directory of the USB drive.**
- **The product's USB port supports up to 32GB capacity and only works with FAT32 file format.**



Turning off the power during the update can cause partial or total software failure in the fixture. The user will need an Upload 03 device to fix the software failure issues. Please contact Chauvet customer service for this device.

Charging Case USB Software Update

The WELL Fit X allows for software update through USB using the built-in USB port in the charging case. The product's USB port supports up to 32GB capacity and only works with FAT32 file format. To update the software using a USB flash drive, do the following:

1. Create a folder on the USB drive named "**wellfitx**" and drag the software onto it.
2. Power on the WELL Fit X products that need a software upgrade.
3. Place the WELL Fit X in the charging flight case, connecting them to the charging ports.
4. Connect the power cable to the charging case.
5. Plug the USB into the USB port and check the upgrade indicator light.
 - A flashing upgrade indicator light means the software is upgrading.
 - The indicator lights will turn off when the software update is finished.



The USB port on the charging case supports up to 32GB capacity and only works with FAT32 file format.

Mounting

Before mounting the product, read and follow the safety recommendations indicated in the [Safety Notes](#).

Orientation

Always mount this product in a safe position, making sure there is adequate room for ventilation, configuration, and maintenance.

Rigging

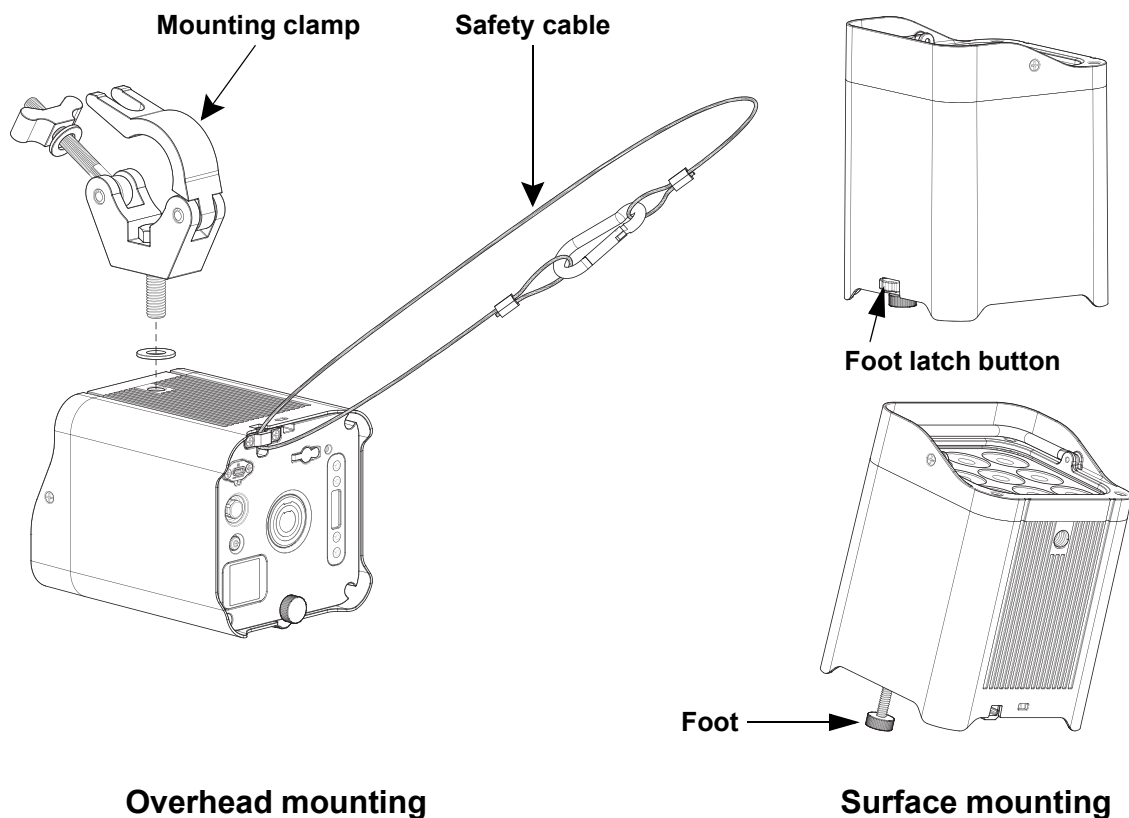
Chauvet recommends using the following general guidelines when mounting this product.

- Before deciding on a location for the product, make sure there is easy access to the product for maintenance and programming purposes.
- Make sure that the structure and attachment points can support the weight before hanging the product (see the [Technical Specifications](#) for weight information).
- When mounting the product overhead, always use a safety cable. Mount the product securely to a rigging point, whether an elevated platform or a truss.
- When rigging the product onto a truss, use a mounting clamp of appropriate weight capacity.

Procedure

The WELL Fit X has an M12 threaded mounting hole. The user can directly attach a mounting clamp (sold separately) to this mounting hole. Make sure the clamp is capable of supporting the weight of this product. For the Chauvet Professional line of mounting clamps, go to <http://www.trusst.com/products>.

Mounting Diagram



4. Operation

Control Panel Description

Button	Function
<MENU>	Exits from the current menu or function
<UP>	Navigates upwards through the menu list or increases the numeric value when in a function
<DOWN>	Navigates downwards through the menu list or decreases the value when in a function
<ENTER>	Enables the currently displayed menu or sets the selected value into the selected function

Control Options

Set the WELL Fit X starting address in the **001-508** DMX range. This enables control of up to 102 products in the 5-channel **5 Ch** personality.

Programming

Refer to the menu map to understand the menu options. The menu map shows the main menu and a variable number of programming levels for each option.

- To access the main menu, press **<MENU>**.
- To access the main menu from the Home Screen, press **<MENU>**.
- To navigate to the desired option in the main menu, press **<MENU>** repeatedly until the option is indicated, or use **<UP>** or **<DOWN>** to navigate directly.
- Press **<ENTER>** to select the indicated option.
- Use **<UP>** or **<DOWN>** to navigate within a programming level until the desired option is indicated.
- To return to the main menu, press **<MENU>** repeatedly until it shows on the display.
- Press and hold **<MENU>** to return to the home screen.

Home Screen

The WELL Fit X has a home screen that shows the current operating mode, DMX personality, starting address, product temperature, signal strength, and battery life. To see the home screen, press and hold **<MENU>** until it shows on the display. From the home screen, press **<MENU>** to reach the main menu.

Control Panel Lock

The setting locks or unlocks the control panel.

1. Go to the **Password** main level.
2. Select **On** (locks control panel) or **Off** (control panel stays unlocked).



When the control panel lock is activated, the product will prompt for the passcode in order to access the menu. Enter the passcode as described below.

Passcode

When prompted, enter the following passcode: **<UP>**, **<DOWN>**, **<UP>**, **<DOWN>**, **<ENTER>**. It is not possible to change this passcode.

Menu Map

Refer to the WELL Fit X X6 product page on www.chauvetprofessional.com for the latest menu map.

Main Level	Programming Levels		Description
DMX Address	001–508		Selects DMX address (highest channel restricted to personality chosen)
DMX Channel	5 Ch		5-channel: RGBW, control
	8 Ch		8-channel: 16-bit dimmer, strobe, RGBW, control
	12 Ch		12-channel: 16-bit dimmer, strobe, RGBW, color macro, color temperature, auto program, auto speed, control
Static	Fixed Color	R	Red
		G	Green
		B	Blue
		W	White
		G B	Green and blue
		R B	Red and blue
		R G	Red and green
		R G B	Red, green, and blue
		R W	Red and white
		G W	Green and white
		B W	Blue and white
		R G W	Red, green, and white
		R B W	Red, blue, and white
	G B W	Green, blue, and white	
	R G B W	Red, green, blue, and white	
Color Temp	2800K	Value 000–255	Preset white color temperatures. Emulates a tungsten lamp at the specified color temperature.
	3200K		
	3500K		
	4000K		
	4500K		
	5000K		
	5600K		
	6000K		
	6500K		
	Manual Color		
G=			
B=			
W=			
Auto Show	Auto 1–5	001–100	Selects automatic programs and program speed
Master/Slave	Master		DMX mode (Master)
	Slave		Slave mode
Dimmer Curve	S–Curve		S curve dimmer
	Linear		Linear dimmer
	Square		Square curve dimmer
	Inv Square		Reverse square curve dimmer
Dimmer Mode	Off		Linear dimmer
	Dimmer 1–3		Dimming curves Dimmer 1 (fast) to Dimmer 3 (slow)

Main Level	Programming Levels		Description	
White Balance	Off		Uses factory default white setting	
	Manual	R=	125–255	Sets red LED maximum value
		G=		Sets green LED maximum value
		B=		Sets blue LED maximum value
		W=		Sets white LED maximum value
LED Frequency	1000Hz		Sets the PWM frequency	
	2000Hz			
	3000Hz			
	4000Hz			
	6000Hz			
	25KHz			
Wireless Setting	CRMX On/Off	On	Enables/disables wireless DMX	
		Off		
	Operating Mode	Receive	Sets fixture as a receiver	
		Transmit	Sets fixture as a transmitter	
	Link	Link	Links with a receiver	
		Unlink	Unlinks with a linked receiver	
Receive Reset	No	Resets the wireless receiver to reset the link with the transmitter or to link with a new transmitter		
	Yes			
Power Loss Mode	Stay InState		If line power is lost, the fixture will continue to function as programmed under battery power (default)	
	All At Full		After 5 seconds of line power loss, all LEDs will go to full power (returns to normal operation when line power is restored)	
	Dim Out		After 5 seconds of line power loss, the LEDs will dim in a 10 second fade to black (returns to normal operation when line power is restored)	
Run Time	Off		Maximum intensity for all LEDs	
	5 Hours		Reduced intensity, limiting battery run time to 5 hours	
	8 Hours		Reduced intensity, limiting battery run time to 8 hours	
	12 Hours		Reduced intensity, limiting battery run time to 12 hours	
	18 Hours		Extends battery to the maximum run time of 18 hours	
Back Light	10S		Turns off display backlight after 10 seconds of inactivity	
	30S		Turns off display backlight after 30 seconds of inactivity	
	2Min		Turns off display backlight after 2 minutes of inactivity	
	Always On		Display backlight always on	
Password	On		Locks display (password is <Up>, <Down>, <Up>, <Down>, <Enter>)	
	Off			
RF Setting	Off		Turns off RF reception	
	Link		Links the fixture to a single RF controller	
	Public		Allows the fixture to respond to all RF signals	
	Group	Group 1–4	Assigns a group for RF control	

Main Level	Programming Levels		Description
Information	Fixture Hours	<_ _ _ _ H>	Shows total hours the product has been powered on
	LED Hours	<_ _ _ _ H>	Shows total hours the LEDs have been powered on
	Version	<V1.0.1.2>	Shows current firmware version
	UID	<21A407F8 _ _ _ _ >	Shows product UID
Upgrade Firmware	Only This Fixture	_ _ _ _ _ .CHL	Selects an update file for this product, or shows "No such file!"
		...	
Beep Alarm	Off		Disables or enables beep alarm
	On		
Charge Light	On		Set charging indicator light to turn on/off when single fixture is plugged into mains power
	Off		
Factory Reset	No		Resets the product to factory default settings
	Yes		

DMX Configuration

Use control configurations to operate the product with a DMX controller.

DMX Personalities

To set the DMX personality:

1. Go to the **DMX Channel** main level.
2. Select the desired personality, from **5 Ch**, **8 Ch**, or **12 Ch**.



- See the [Starting Address](#) section for the highest selectable starting address for each personality.
- Make sure that the starting addresses on the various products do not overlap due to the new personality setting.

Starting Address

Each product will respond to a unique starting address from the controller. All products with the same starting address will respond in unison. To set the starting address in DMX mode:

1. Go to the **DMX Address** main level.
2. Select the starting address (**001–512**).

Personality	Highest Address	Products per Universe
5 Ch	509	102
8 Ch	505	64
12 Ch	501	42

Operation

DMX Channel Assignments and Values

Color Macro Chart

Value	Percent/Setting	Value	Percent/Setting
000 ⇔ 010	No function	201 ⇔ 205	Color 1
011 ⇔ 030	Red 100%, green 0–100%	206 ⇔ 210	Color 2
031 ⇔ 050	Red 100–0%, green 100%	211 ⇔ 215	Color 3
051 ⇔ 070	Green 100%, blue 0–100%	216 ⇔ 220	Color 4
071 ⇔ 090	Green 100–0%, blue 100%	221 ⇔ 225	Color 5
091 ⇔ 110	Red 0–100%, blue 100%	226 ⇔ 230	Color 6
111 ⇔ 130	Red 100% blue 100–0%	231 ⇔ 235	Color 7
131 ⇔ 150	Red 100%, green and blue 0–100%	236 ⇔ 240	Color 8
151 ⇔ 170	Red and green 100–0%, blue 100%	241 ⇔ 245	Color 9
171 ⇔ 200	Red, green, and blue 100%	246 ⇔ 250	Color 10
		251 ⇔ 255	Color 11

Color Temperature Chart

Value	Percent/Setting	Actual Temperature	Red	Green	Blue	White
000 ⇔ 005	No function	–	–	–	–	–
006 ⇔ 025	2800K	2780K	078	035	000	255
026 ⇔ 050	3200K	3184K	057	049	008	255
051 ⇔ 075	3500K	3510K	039	056	013	255
076 ⇔ 100	4000K	3998K	053	093	028	255
101 ⇔ 125	4500K	4527K	040	107	039	255
126 ⇔ 150	5000K	4005K	042	128	052	255
151 ⇔ 175	5600K	5651K	004	115	058	255
176 ⇔ 200	6000K	6022K	005	134	065	255
201 ⇔ 225	6500K	6532K	011	141	079	255
226 ⇔ 255	No function	–	–	–	–	–

Control Chart

Value	Percent/Setting	Value	Percent/Setting
000 ⇔ 010	No function	090 ⇔ 094	Dimmer speed mode off (immediate)
011 ⇔ 029	Reserved for future use	095 ⇔ 099	Dimmer speed mode 1 (fastest)
030 ⇔ 034	1000 Hz Pulse Width Modulation*	100 ⇔ 104	Dimmer speed mode 2 (medium)
035 ⇔ 039	2000 Hz Pulse Width Modulation*	105 ⇔ 109	Dimmer speed mode 3 (slowest)
040 ⇔ 044	3000 Hz Pulse Width Modulation*	110 ⇔ 149	Reserved for future use
045 ⇔ 049	4000 Hz Pulse Width Modulation*	150 ⇔ 154	Run time mode off
050 ⇔ 054	6000 Hz Pulse Width Modulation*	155 ⇔ 159	5 hour run time mode
055 ⇔ 059	25 KHz Pulse Width Modulation*	160 ⇔ 164	8 hour run time mode
060 ⇔ 069	Reserved for future use	165 ⇔ 169	12 hour run time mode
070 ⇔ 074	S-Curve dimmer curve*	170 ⇔ 174	18 hour run time mode
075 ⇔ 079	Linear dimmer curve*	175 ⇔ 249	Reserved for future use
080 ⇔ 084	Square dimmer curve*	250 ⇔ 255	No function
085 ⇔ 089	Inverse square dimmer curve*		*Hold for 5 seconds

DMX Chart

5	8	12	Function	Value	Percent/Setting
–	1	1	Dimmer	000 ⇔ 255	0–100%
–	2	2	Fine dimmer	000 ⇔ 255	0–100%
–	3	3	Strobe	000 ⇔ 010 011 ⇔ 255	No function Strobe, slow to fast
1	4	4	Red	000 ⇔ 255	0–100%
2	5	5	Green	000 ⇔ 255	0–100%
3	6	6	Blue	000 ⇔ 255	0–100%
4	7	7	White	000 ⇔ 255	0–100%
–	–	8	Color macro	000 ⇔ 255	See the Color Macro Chart
–	–	9	Color temperature	000 ⇔ 255	See the Color Temperature Chart
–	–	10	Automatic program	000 ⇔ 010 011 ⇔ 060 061 ⇔ 110 111 ⇔ 160 161 ⇔ 210 211 ⇔ 255	No function Automatic program 1 Automatic program 2 Automatic program 3 Automatic program 4 Automatic program 5 (cycle 1–4)
–	–	11	Automatic program speed	000 ⇔ 255	Program speed, slow to fast
5	8	12	Control	000 ⇔ 255	See the Control Chart

Operation

Standalone Configuration

Static Mode

The static mode options include fixed colors, preset color temperatures, and a manual color mixer.

Fixed Color

To select a fixed color:

1. Go to the **Static** main level.
2. Select the **Virtual Color Wheel** option.
3. Select the desired color combination (**R**, **G**, **B**, **W**, **GB**, **RB**, **RG**, **RGB**, **RW**, **GW**, **BW**, **RGW**, **RBW**, **GBW**, or **RGBW**).
4. Set the **Value** from **000–255**.

Color Temperature

To select a preset color temperature via the menu map:

1. Go to the **Static** main level.
2. Select the **Color Temp** option.
3. Select the desired color temperature (**2800K**, **3200K**, **3500K**, **4000K**, **4500K**, **5000K**, **5600K**, **6000K**, or **6500K**). See the [Color Temperature Chart](#).
4. Set the **Value** from **000–255**.

Manual Color Mixer

To manually mix a custom static color:

1. Go to the **Static** main level.
2. Select **Manual Color**.
3. Select the color to edit (**R=**, **G=**, **B=**, or **W=**).
4. Set the value for the selected color (**000–255**).
5. Repeat steps 3 and 4 until product outputs as desired.

Auto Show

To select an automatic program:

1. Go to the **Auto Show** main level.
2. Select the desired auto program (**Auto 1–5**).
3. Set the **Speed** value (**001–100**).

Settings Configuration

Master/Slave

To set the WELL Fit X product to master or slave mode:

1. Go to the **Master/Slave** main level.
2. Select from **Master** (sends control signal) or **Slave** (receives control signal).



- **Configure all the slave products before connecting the master to the daisy chain.**
- **Never connect a DMX controller to a DMX string configured for Master/Slave operation because the controller may interfere with the signals from the master.**
- **Do not connect more than 31 slaves to the master.**

Dimmer Curve

To set the dimmer curve:

1. Go to the **Dimmer Curve** main level.
2. Select from **S Curve**, **Linear**, **Square**, or **Inverse Square**.

Dimmer Speed Mode

To set the dimmer speed:

1. Go to the **Dimmer Mode** main level.
2. Select the dimmer speed mode from **Off** (instant), **Dimmer 1** (fastest), **Dimmer 2**, or **Dimmer 3** (slowest).

White Balance

To configure the white balance:

1. Go to the **White Balance** main level.
2. Select from **Off** or **Manual**.
3. If **Manual**, select the maximum color value to edit (**R=**, **G=**, **B=**, or **W=**).
4. Set the maximum level for the selected color (**125–255**).
5. Repeat steps 3–4 until the colors are calibrated as desired.

Pulse Width Modulation

To set the frequency of the pulse width modulation:

1. Go to the **LED Frequency** main level.
2. Select the PWM frequency (**1000Hz**, **2000Hz**, **3000Hz**, **4000Hz**, **6000Hz**, or **25KHz**).

Power Loss Mode

To set how the product will respond to a line power loss.

1. Go to the **Power Loss Mode** main level.
2. Select from the **Stay InState** (the fixture will continue to function as programmed under battery power), **All at Full** (all LEDs will go to full power after 5 seconds of line power loss, and return to normal operation when line power is restored), or **Dim Out** (all LEDs will dim in a 10 second fade to black, and return to normal operation when line power is restored) options.

Run Time Mode

To select an operation mode which balances output intensity with battery run time:

1. Go to the **Run Time** main level.
2. Select from the **5 Hours**, **8 Hours**, **12 Hours** (increases or reduces the intensity, limiting the battery run time to 5, 8, or 12 hours), or **18 Hours** (extends the battery life to the maximum run time of 18 hours) options.

Display Backlight

To set how long the display will stay lit without activity:

1. Go to the **Back Light** main level.
2. Select from **10S** (10 seconds), **30S** (30 seconds), **2Min** (2 minutes), or **Always On**.

Information

To view product information, such as the number of hours the product has been on, the driver firmware, etc., go to the **Information** main level.

Beep Alarm

To set an alarm that will go off if anyone moves the fixture:

1. Go to the **Beep Alarm** main level.
2. Select **Off** (disable) or **On** (set).



- **Install the fixture in the desired position before setting the Beep Alarm. Any motion detected after setting the alarm will trigger it.**
- **When the alarm goes off, the fixture will emit a sustained high pitch sound accompanied by a rapid color chase.**

Charging Light

To turn on/off the charging indicator light on individual fixtures when plugged directly into mains power:

1. Go to the **Charging Light** main level.
2. Select **On** (enable charging light) or **Off** (disable charging light).

Factory Reset

To reset the product to factory default settings:

1. Go to the **Factory Reset** main level.
2. Select **No** (do not reset) or **Yes** (reset).

Operation

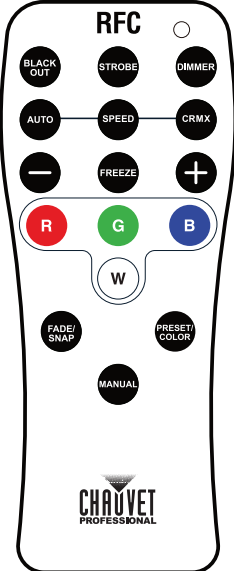
Radio Frequency Configuration

RF Setting

To configure the product for radio frequency control:

1. Go to the **RF Setting** main level.
2. Select from the **Off** (disables RF control reception), **Link** (highlight without pressing **<Enter>** to enable linking with a single controller), **Public** (enables control by all RF signals), or **Group** (to assign this fixture to a group for RF control) option.
3. For:
 - **Link**: DO NOT press **<ENTER>**. Highlight the **Link** option, and press and hold **<Blackout>** on the RF Controller until the WELL Fit X display shows **RF Connected** or **RF Disconnected**.
 - **Group**: assign the product to the desired group, from **Group 1–4**.

RF Controller Operation

RFC	Button	Function
	<BLACK OUT>	Press to turn off all lights. Press Auto, Manual, or a color to turn fixture back on.
	<STROBE>	Press to toggle strobe, then use <+> or <-> to increase or decrease strobe speed
	<DIMMER>	Press then use <+> or <-> to increase or decrease the dimmer
	<AUTO>	Press to activate automatic mode, then use <+> or <-> to select a program
	<SPEED>	Press then use <+> or <-> to increase or decrease speed
	<CRMX>	Press and hold for 5 seconds to disconnect CRMX™ receiver
	<->	Press to decrease speed, sensitivity, or the dimmer/color value, or to scroll down the list of programs
	<+>	Press to increase speed, sensitivity, or the dimmer/color value, or to scroll up the list of programs
	<FREEZE>	Press to stop all movement and color chasing
	<R>	In manual mode, press then use <+> or <-> to increase or decrease the red value
	<G>	In manual mode, press then use <+> or <-> to increase or decrease the green value
		In manual mode, press then use <+> or <-> to increase or decrease the blue value
	<W>	In manual mode, press then use <+> or <-> to increase or decrease the white value
	<FADE/SNAP>	Press to activate automatic mode, then use <+> or <-> to select a program
	<MANUAL>	Press to activate manual mode, the press to cycle through colors
<PRESET/COLOR>	Press to activate fixed colors then use <+> or <-> to select a color	



The RF Controller will not respond to any inputs when Freeze or Black Out is activated. If the remote does not respond when a button is pressed, try pressing **<FREEZE>** or **<BLACK OUT>**. Freeze or Black Out may have been inadvertently activated.

Error Codes

See the table below for error codes and recommended solutions:

Error Code	Possible Reason	Potential Solution
Temperature shows -40°C	The thermistor is not welded properly	Repair or replace the thermistor PCB
	The temperature control wire is disconnected or has a poor connection	Check the wire connection
Temperature shows 128°C	The thermistor is not welded properly	Repair or replace the thermistor PCB
	The temperature control connector has a short circuit	Check the wire connector

5. Maintenance

Product Maintenance

Dust build-up reduces light output performance and can cause overheating. This can lead to reduction of the light source's life and/or mechanical wear. To maintain optimum performance and minimize wear, clean each lighting product at least twice a month. However, be aware that usage and environmental conditions could be contributing factors to increase the cleaning frequency.

To clean the product, follow the instructions below:

1. Unplug the product from power.
2. Wait until the product is at room temperature.
3. Use a vacuum (or dry compressed air) and a soft brush to remove dust collected on the external surface/vents.
4. Clean all transparent surfaces with a mild soap solution, ammonia-free glass cleaner, or isopropyl alcohol.
5. Apply the solution directly to a soft, lint free cotton cloth or a lens cleaning tissue.
6. Softly drag any dirt or grime to the outside of the transparent surface.
7. Gently polish the transparent surfaces until they are free of haze and lint.



Always dry the transparent surfaces carefully after cleaning them.

Torque Measurements

To maintain the IP rating when reassembling the product, use the given torque measurements for each of the following screws and bolts:

Fixture Parts	Torque Rating (Kgf.cm)	Torque Rating (lbf.in)
Top cover	10	8.67962
Base plate	6	5.20777

Vacuum Test Measurements

Use the IP Tester from Chauvet Professional to ensure the product has been reassembled correctly by following the information below:

Parameters	Values
Method	Positive
Test pressure	40 kPa
Test duration	30 seconds
PASS state leak pressure	<0.5 kPa

Technical Specifications

6. Technical Specifications

Dimensions and Weight

Parameter	Length	Width	Height	Weight
WELL Fit X	4.9 in (126 mm)	4.9 in (126 mm)	6.9 in (176 mm)	7.0 lb (3.2 kg)
Charging Case	21.8 in (554 mm)	18.5 in (470 mm)	13.5 in (345 mm)	

Note: Dimensions in inches are rounded.

Power

Case Power Supply Type	Charging Case Fuse	Range	Voltage Selection
Switching (internal)	T 5 A, 250 V	100 to 240 VAC, 50/60 Hz	Auto-ranging

Battery Type	Battery Charge Time	Battery Power
Lithium ion	1.6 hours	25.9 V, 4.4 Ah

Single Unit	100 V, 60 Hz	120 V, 60 Hz	208 V, 60 Hz	230 V, 50 Hz	240 V, 50 Hz
Consumption	43 W	42 W	42 W	42 W	42 W
Operating Current	0.74 A	0.64 A	0.52 A	0.47 A	0.47 A

Full Case	100 V, 60 Hz	120 V, 60 Hz	208 V, 60 Hz	230 V, 50 Hz	240 V, 50 Hz
Consumption	239 W	238 W	235 W	235 W	235 W
Operating Current	3.94 A	3.44 A	2.48 A	2.32 A	2.27 A
Power Linking Current (Cases)	12 A (2 cases)	12 A (3 cases)	12 A (4 cases)	12 A (5 cases)	12 A (5 cases)

Power I/O	U.S./Worldwide	UK/Europe
Power Input Connector	Seetronic Powerkon IP65	Seetronic Powerkon IP65
Power Output Connector	Seetronic Powerkon IP65	Seetronic Powerkon IP65
Power Cable plug	Edison	Local plug

Light Source

Type	Color	Quantity	Power	Current	Lifespan
LED	Quad-color RGBW	9	7.5 W	556 mA	50,000 hours

Photometrics

Color Temperature Range	Beam Angle	Field Angle
2600 to 10000 K	11.5°	21.1°

Parameter	Run Time Off	Run Time 5 Hours	Run Time 8 Hours	Run Time 12 Hours	Run Time 18 Hours
Lumens	1,762	1,944	1,233	821	550
Illuminance @ 5 m	1,087 lux	1,205 lux	764 lux	507 lux	339 lux

Thermal

Maximum External Temperature	Cooling System
113 °F (45 °C)	Convection

Control

DMX I/O Connector	Channel Range
Wireless Lumenradio CRMX™	5, 8, or 12

Ordering

Product Name	Item Name	Item Code	UPC Number
WELL Fit X X6	WELLFITXX6	03032042	781462223908



Contact Us

General Information	Technical Support
Chauvet World Headquarters	
Address: 3360 Davie Rd., Suite 509 Davie, FL 33314 Voice: (954) 577-4455 Fax: (954) 929-5560 Toll Free: (800) 762-1084	Voice: (844) 393-7575 Fax: (954) 756-8015 Email: chauvetcs@chauvetlighting.com Website: www.chauvetprofessional.com
Chauvet U.K.	
Address: Pod 1 EVO Park Little Oak Drive, Sherwood Park Nottinghamshire, NG15 0EB UK Voice: +44 (0) 1773 511115 Fax: +44 (0) 1773 511110	Email: UKtech@chauvetlighting.eu Website: www.chauvetprofessional.eu
Chauvet Benelux	
Address: Vaartlaan 9 9800 Deinze Belgium Voice: +32 9 388 93 97	Email: BNLtech@chauvetlighting.eu Website: www.chauvetprofessional.eu
Chauvet France	
Address: 3, Rue Ampère 91380 Chilly-Mazarin France Voice: +33 1 78 85 33 59	Email: FRtech@chauvetlighting.fr Website: www.chauvetprofessional.eu
Chauvet Germany	
Address: Bruno-Bürgel-Str. 11 28759 Bremen Germany Voice: +49 421 62 60 20	Email: DEtech@chauvetlighting.de Website: www.chauvetprofessional.eu
Chauvet Mexico	
Address: Av. de las Partidas 34 - 3B (Entrance by Calle 2) Zona Industrial Lerma Lerma, Edo. de México, CP 52000 Voice: +52 (728) 690-2010	Email: servicio@chauvet.com.mx Website: www.chauvetprofessional.mx

Warranty & Returns

For warranty terms and conditions and return information, please visit our website.

For customers in the United States and Mexico: www.chauvetlighting.com/warranty-registration.

For customers in the United Kingdom, Republic of Ireland, Belgium, the Netherlands, Luxembourg, France, and Germany: www.chauvetlighting.eu/warranty-registration.