

# REMMIRA

## Installation Guide



Model ID: REMMIRA

Model ID: REMMIRASQ

  
**CHAUVET**  
PROFESSIONAL

## TABLE OF CONTENTS

<b>1. Before You Begin .....</b>	<b>1</b>
What Is Included .....	1
Claims.....	1
Text Conventions.....	1
Symbols.....	1
Safety Notes .....	2
FCC Statement of Compliance .....	3
Expected LED Lifespan .....	3
<b>2. Introduction .....</b>	<b>4</b>
Product Overview .....	4
Cabinet Overview .....	4
Drill Guide Overview .....	5
Brackets/Screws Overview .....	5
Dimensions.....	6
Cabinet Dimensions.....	6
Bracket Dimensions.....	6
REM MIRA LED Module Insertion and Removal.....	8
Removing a Module.....	9
Removing and Replacing the LED Masks .....	10
<b>3. Setup .....</b>	<b>12</b>
AC Power .....	12
AC Plug.....	12
Power Linking .....	12
<b>4. Joining Each REM MIRA.....</b>	<b>13</b>
Vertically Joining the Panels.....	13
Vertical Panel Connection .....	14
Horizontally Joining the Panels .....	14
Horizontal Panel Connection .....	14
Mounting Multiple Cabinets .....	15
Flattening Brackets Diagram .....	15
Left/Right Brackets.....	15
Top/Bottom Brackets .....	17
Center Brackets .....	19
<b>5. Mounting .....</b>	<b>20</b>
Orientation .....	20
Mounting Points.....	20
Flat Wall Installation Preparation .....	21
Flat Wall Installation .....	22
Mounting Points on a Flat Wall .....	22
Mounting with Steel Struts .....	22
Steel Strut Installation Diagram .....	23
Flat Wall Installation using Flattening brackets.....	24
<b>6. Connecting &amp; Cabling Each REM MIRA.....</b>	<b>26</b>
Testing Signal and Power Connections.....	26
LED Indicators .....	26

## Table of Contents

---

REM MIRA Knockouts .....	27
Knockout Dimensions .....	27
Removing Knockouts .....	27
Connecting Power and Signal Cables .....	29
Connecting the Signal Between Joined Panels .....	29
Signal Chain Rectangles .....	30
Connecting the Power Between Joined Panels .....	31
<b>Contact Us</b> .....	32
Warranty & Returns .....	32

# 1. Before You Begin

## What Is Included

### REM MIRA

- 1 REMMIRA 1000X500 mm
- 8 REMMIRA LDM (packaged separately)
- Ethernet RJ45 linking cable
- IEC power linking cable
- Installation Guide

### REM MIRA SQ

- 1 REMMIRA 500X500 mm
- 4 REMMIRA LDM (packaged separately)
- Ethernet RJ45 linking cable
- IEC power linking cable
- Installation Guide

## Claims

Carefully unpack the product immediately and check the container to make sure all the parts are in the package and are in good condition.





If the box or the contents (the product and included accessories) appear damaged from shipping, or show signs of mishandling, notify the carrier immediately, not Chauvet. Failure to report damage to the carrier immediately may invalidate a claim. In addition, keep the box and contents for inspection.

For other issues, such as missing components or parts, damage not related to shipping, or concealed damage, file a claim with Chauvet within 7 days of delivery.

## Text Conventions

Convention	Meaning
<b>1–512</b>	A range of values
<b>50/60</b>	A set of values of which only one can be chosen
<b>Settings</b>	A menu option not to be modified
<b>Menu &gt; Settings</b>	A sequence of menu options to be followed
<b>&lt;ENTER&gt;</b>	A key to be pressed on the product’s control panel

## Symbols

Symbol	Meaning
	Critical installation, configuration, or operation information. Not following these instructions may make the product not work, cause damage to the product, or cause harm to the operator.
	Important installation or configuration information. The product may not function correctly if this information is not used.
	Useful information.
	Pinch point warning.



## Before You Begin

### Safety Notes

Read all the following safety notes before working with this product. These notes contain important information about the installation, usage, and maintenance of this product.



**This product contains no user-serviceable parts. Any reference to servicing in this User Manual will only apply to properly trained, certified technicians. Do not open the housing or attempt any repairs.**



**All applicable local codes and regulations apply to proper installation of this product.**

- **CAUTION:**

- This product's housing may be hot when operating.
- When transferring the product from extreme temperature environments, (e.g., cold truck to warm humid ballroom) condensation may form on the internal electronics of the product. To avoid causing a failure, allow the product to fully acclimate to the surrounding environment before connecting it to power.

- **ALWAYS:**

- Connect this product to a grounded and protected circuit.

- **DO NOT:**

- Open this product. It contains no user-serviceable parts.
- Leave any flammable material within 50 cm of this product while operating or connected to power.
- Connect this product to a dimmer or rheostat.
- Operate this product if the housing or cables appear damaged.
- Operate this product outdoors or in any location where dust, excessive heat, water, or humidity may affect it (IP30).
- Operate this product at an altitude exceeding 5000m.
- The minimum startup temperature is -4°F (-20°C). Do not start the product at lower temperatures.
- The maximum ambient temperature is 95°F (35 °C). Do not operate this product at higher temperatures.
- To eliminate unnecessary wear and improve its lifespan, during periods of non-use completely disconnect the product from power via breaker or by unplugging it.
- In the event of a serious operating problem, stop using immediately.



**If this Chauvet product requires service, contact Chauvet Technical Support.**

### **FCC Statement of Compliance**

This device complies with Part 15 Part B of the FCC rules. Operation is subject to the following two conditions:

1. This device may not cause harmful interference, and
2. This device must accept any interference received, including interference that may cause undesired operation.

This equipment has been tested and found to comply with the limits for a Class B digital device, pursuant to Part 15 of the FCC Rules. These limits are designed to provide reasonable protection against harmful interference in a residential installation. This equipment generates uses and can radiate radio frequency energy and, if not installed and used in accordance with the instructions, may cause harmful interference to radio communications. However, there is no guarantee that interference will not occur in a particular installation. If this equipment does cause harmful interference to radio or television reception, which can be determined by turning the equipment off and on, the user is encouraged to try to correct the interference by one or more of the following measures:

- Reorient or relocate the receiving antenna.
- Increase the separation between the equipment and receiver.
- Connect the equipment into an outlet on a circuit different from that to which the receiver is connected.
- Consult the dealer or an experienced radio/TV technician for help.

Any changes or modifications not expressly approved by the party responsible for compliance could void the user's authority to operate the equipment.



**The use of certain substances in electrical and electronic equipment is restricted with the EU. For further information, see directive 2011/65/EU.**

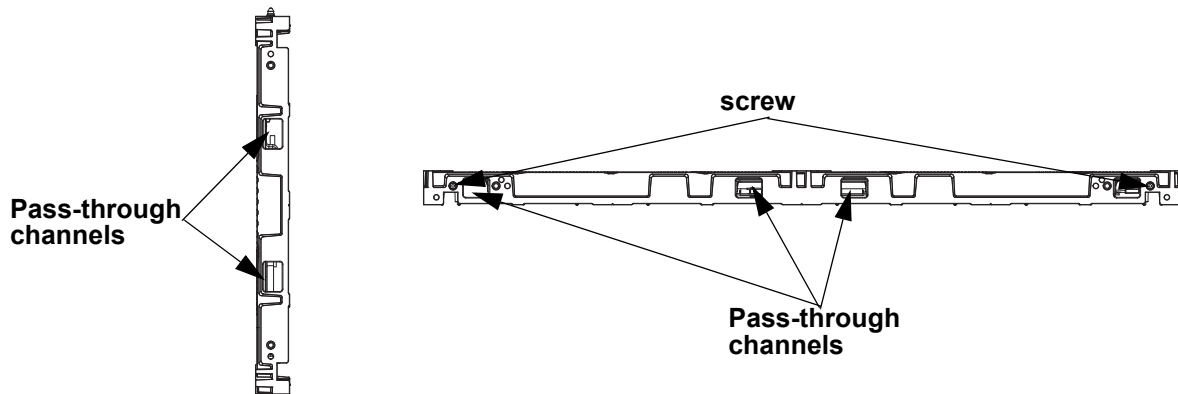
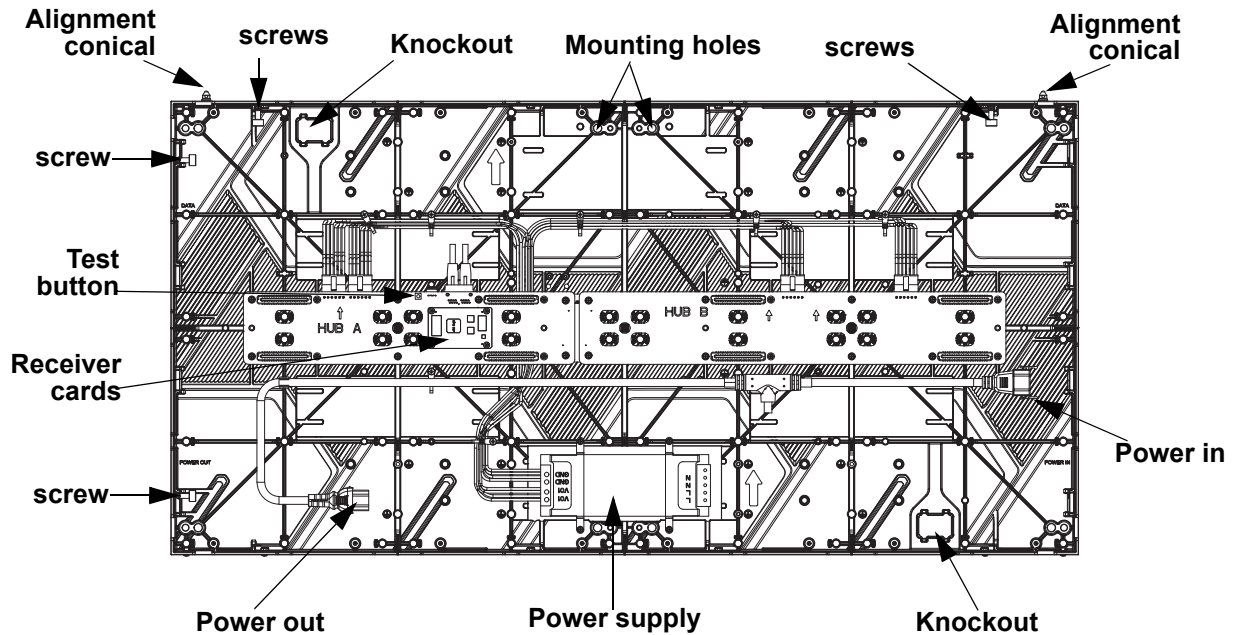
### **Expected LED Lifespan**

Over time, use and heat will gradually reduce LED brightness. Clustered LEDs produce more heat than single LEDs, contributing to shorter lifespans if always used at full intensity. The average LED lifespan is 40,000 to 50,000 hours. To extend LED lifespan, maintain proper ventilation around the product, and limit the overall intensity.

## 2. Introduction

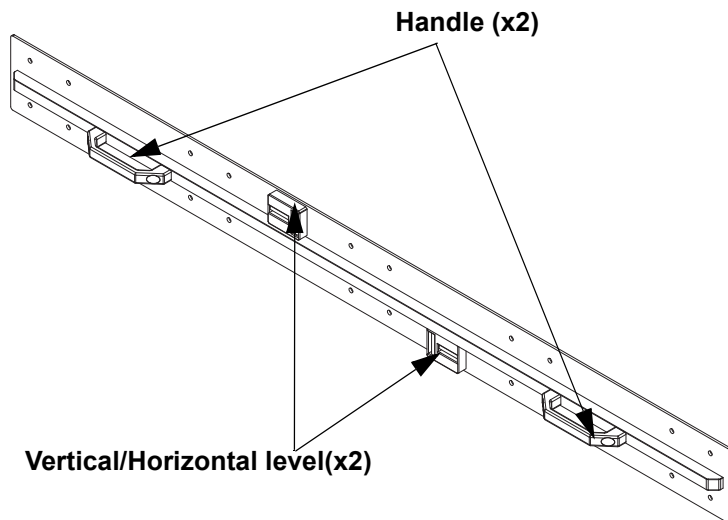
### Product Overview

### Cabinet Overview



All screws on the REM MIRA are captive screws.

**Drill Guide Overview**

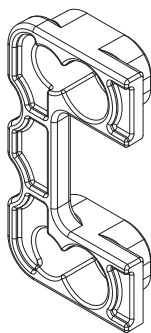


Handle (x2)

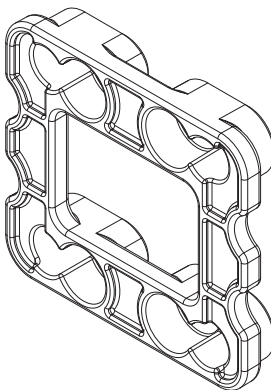
Vertical/Horizontal level(x2)

**Drill Guide**

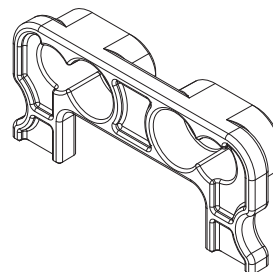
**Brackets/Screws Overview**



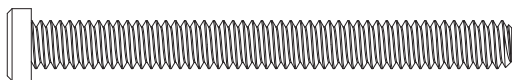
**Left/Right  
Bracket**



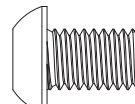
**Center  
Bracket**



**Top/Bottom  
Bracket**



**Screw A**

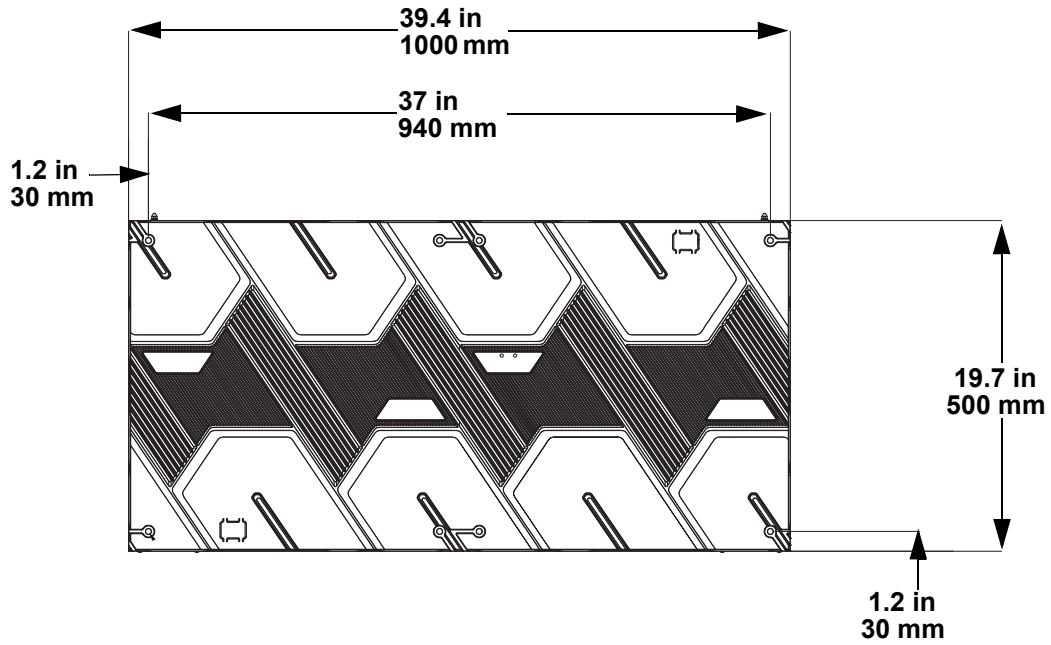


**Screw B**

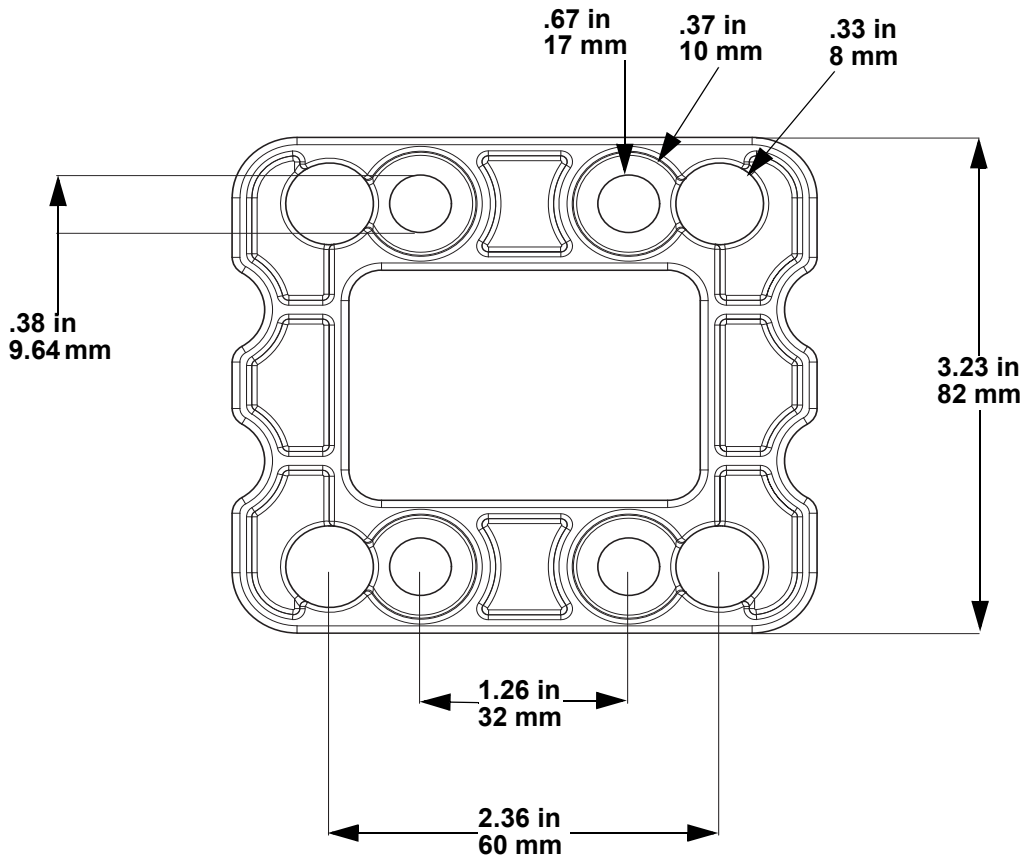
# Introduction

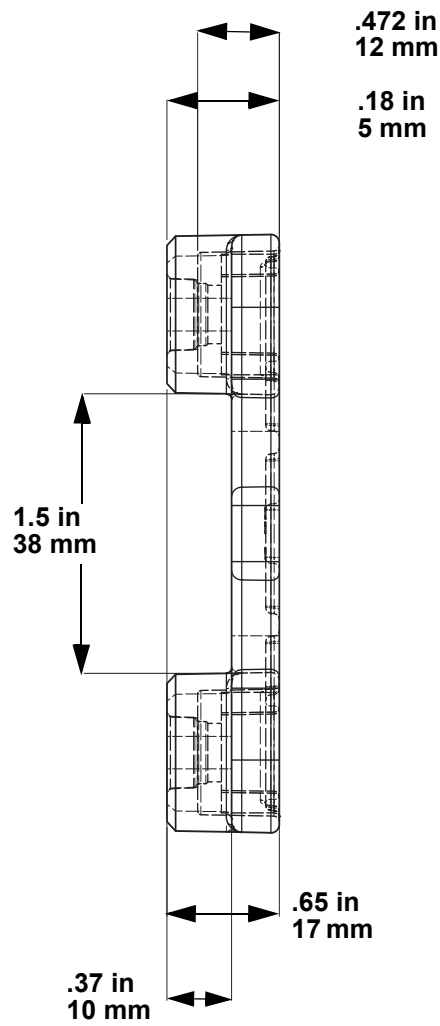
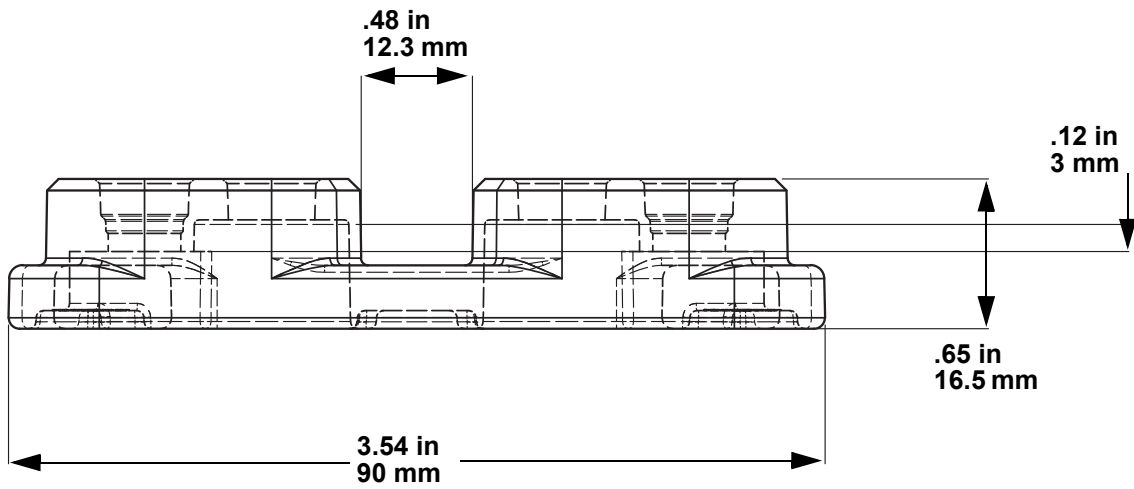
## Dimensions

### Cabinet Dimensions



### Bracket Dimensions





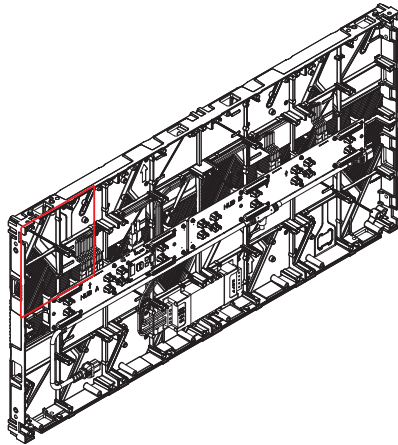
## Introduction

### REM MIRA LED Module Insertion and Removal

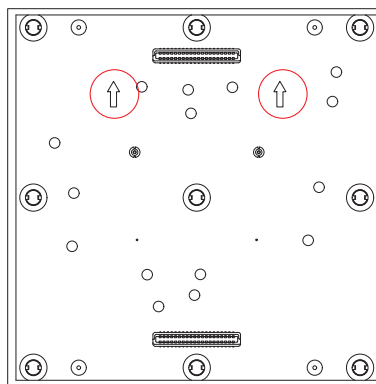
#### Inserting a Module

To insert an LED module onto the REM MIRA:

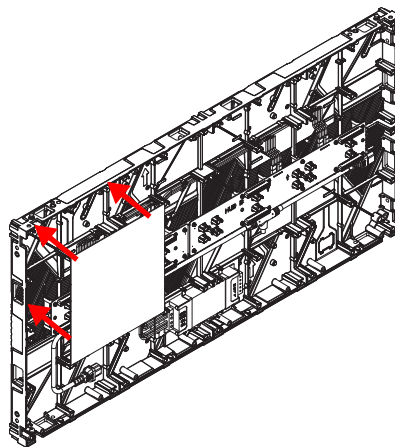
1. Identify where on the REM MIRA the module will be placed.



2. Carefully align the magnets on the back of the module with the magnets on the cabinet. Ensure that the arrows on the module match the orientation of the arrows on the cabinet.



3. Slowly press the module onto the cabinet, ensuring that the magnets are aligned.

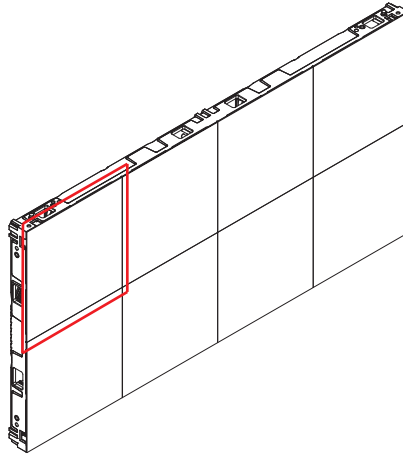


- Before inserting modules onto the cabinet, it is first necessary to mount the REM MIRA cabinet and test the coex VMP software. For more information on mounting the REM MIRA, see [Mounting](#).
- Use cotton, leather, or microfiber gloves if installing with hands.

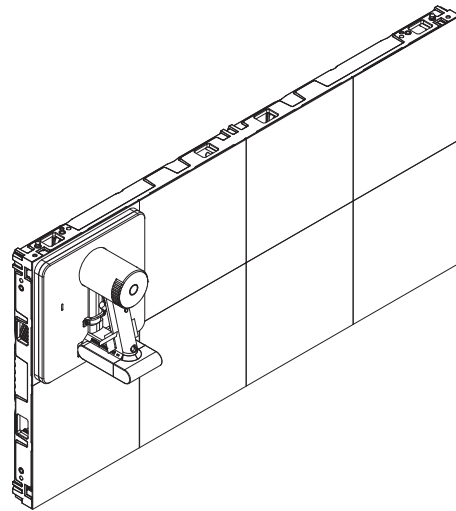
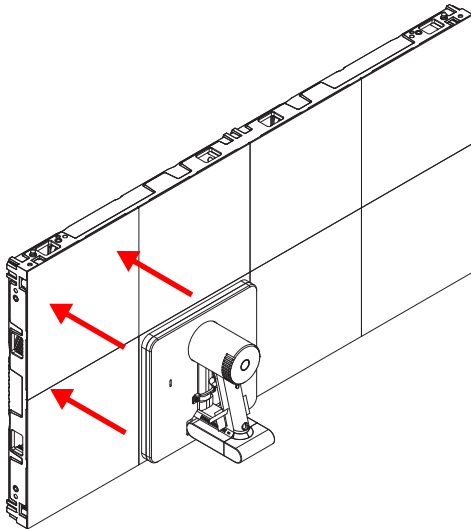
## Removing a Module

When removing a module from the REM MIRA, it is necessary to use an MT-07 tool. To remove an LED module from the REM MIRA:

1. Identify which module needs to be removed.



2. Using an MT-07 tool, hold down the trigger to activate and gently press the MT-07 against the module to firmly grip it.

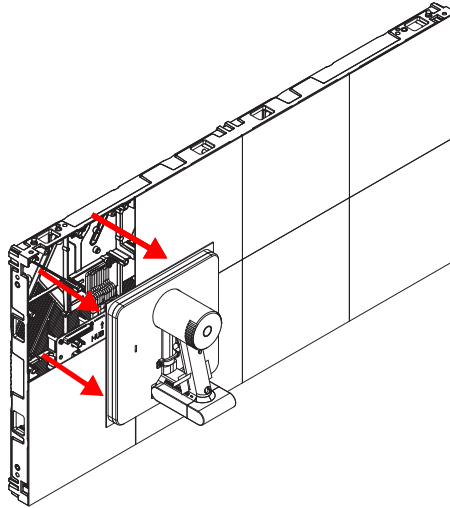


The MT-07 is a battery-operated vacuum tool that comes in a case with a battery charger.



## Introduction

3. With the module gripped, gently pull the module away from the cabinet.



- For further information on the MT-07 tool, see [Chauvetprofessional.com/mt-07/](http://Chauvetprofessional.com/mt-07/)
- Use caution when removing the module so as not to cause damage.
- Modules are universal and will fit anywhere on the frame.



**WARNING!** The magnets on the modules are very powerful! Keep fingers clear when installing.

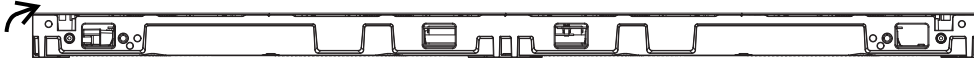
## Removing and Replacing the LED Masks



To replace one of the LED masks on an REM MIRA LED module, follow the instructions below:

1. Remove the module from the REM MIRA (see [REM MIRA LED Module Insertion and Removal](#)).

- Using a fingertip, gently lift the edges of the mask off of the LEDs.



- **Take SPECIAL CARE to not pry off any LEDs!**
- **DO NOT use prying tool to remove the LED mask! Doing so may damage the LEDs.**
- **When in doubt, seek expert assistance or advice!**

- Once the edges are loose, slowly lift the mask from the LEDs.
- Place the new LED mask in the space. Ensure the orientation arrows point in the same direction as the arrows on the module.



- **Use a roller tool to gently press the masks onto the LEDs.**
- **Bending the mask too much will permanently stretch it beyond usability.**

- Push the mask in firmly until it is completely flush with the rest of the masks on the product. A roller tool is recommended for this procedure.

## Setup

### 3. Setup

#### AC Power

The REM MIRA has an auto-ranging power supply and can work with an input voltage range of 100-240 VAC, 50/60 Hz. To determine the product's power requirements (circuit breaker, power outlet, and wiring), use the current value listed on the label affixed to the product's back panel, or refer to the product's specifications chart. The listed current rating indicates the product's average current draw under normal conditions.



- **Always connect the product to a protected circuit (a circuit breaker or fuse). Make sure the product has an appropriate electrical ground to avoid the risk of electrocution or fire.**
- **To eliminate unnecessary wear and improve its lifespan, during periods of non-use completely disconnect the product from power via breaker or by unplugging it.**



**Never connect the product to a rheostat (variable resistor) or dimmer circuit, even if the rheostat or dimmer channel serves only as a 0 to 100% switch.**

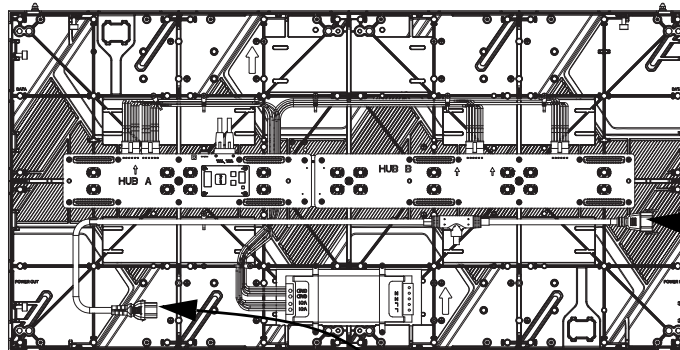
#### AC Plug

The REM MIRA come with a power input cord with a locking IEC connector on one end and a bare ended (unterminated) cable on the other end (U.S. market). Use the table below to wire the power cable. It is common to wire this directly in to an electrical junction box.

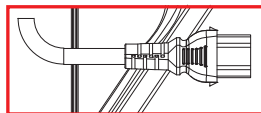
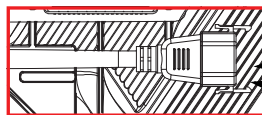
Connection	Wire (U.S.)	Wire (Europe)	Screw Color
AC Live	Black	Brown	Yellow or Brass
AC Neutral	White	Blue	Silver
AC Ground	Green/Yellow	Green/Yellow	Green

#### Power Linking

1<sup>st</sup> Product



Power Source



2<sup>nd</sup> Product

All REM MIRA panels support power linking. Refer to the following table for specifications.

	100 V, 60 Hz	120 V, 60 Hz	208 V, 60 Hz	230 V, 50 Hz	240 V, 50 Hz
# of Products	5	6	10	11	12

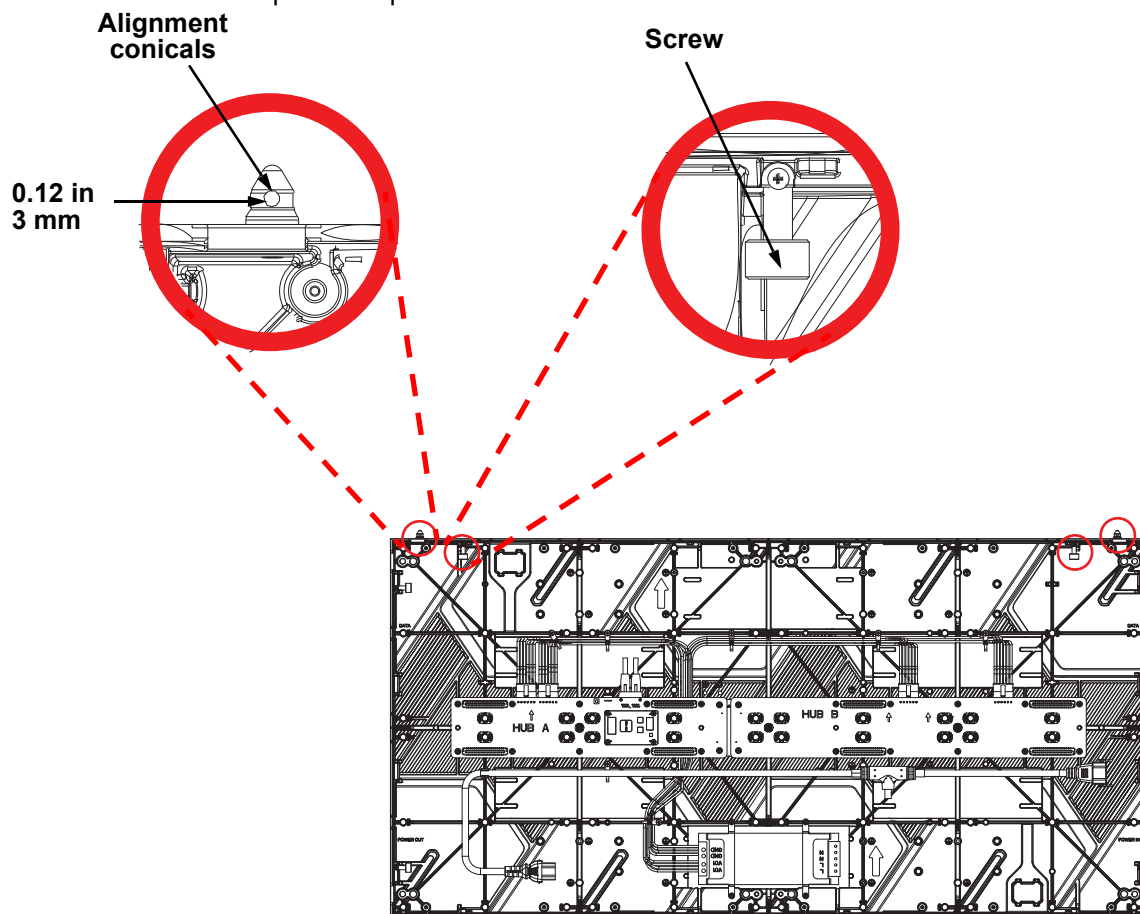


**Please refer to all applicable local codes and regulations for the proper installation of this product.**

## 4. Joining Each REM MIRA

### Vertically Joining the Panels

Once the REM MIRA is mounted, it can be easily joined vertically to another REM MIRA using the 2 screws located at the top of each panel.



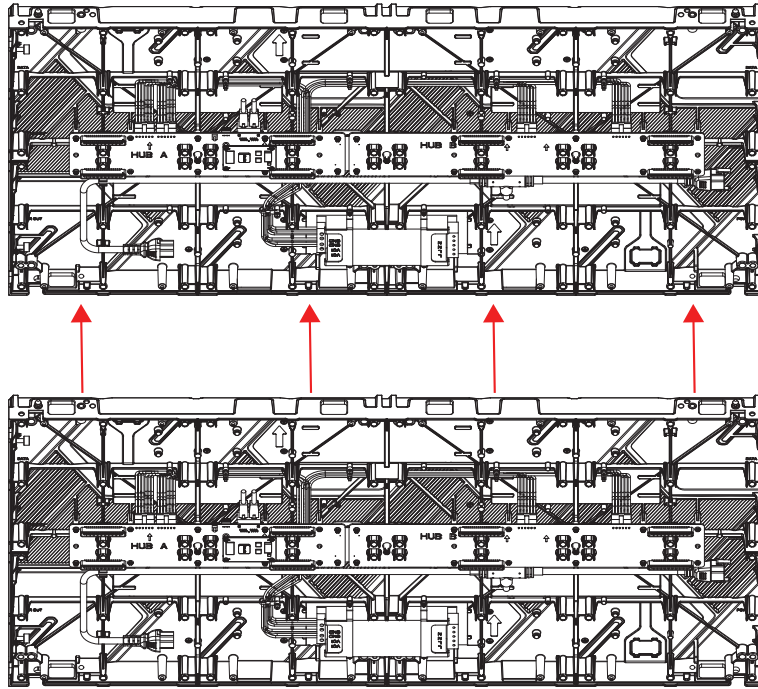
- It is necessary to first drill holes in the wall where the REM MIRA will be mounted. A drill guide will be included.
- Installers may wish to remove the alignment conicals from the top row for a smoother look. Insert a rod or screwdriver with a diameter no larger than 3 mm to twist off the conicals.

## Joining Each REM MIRA

### Vertical Panel Connection

Use the following instructions to join panels vertically:

1. Line up the alignment conicals and screws at the top of each panel with the corresponding holes on the bottom of the other panel.
2. Once panels are connected, tighten the screws in place.



### Horizontally Joining the Panels

Each REM MIRA can be joined horizontally using the latch connections on the inside, upper and lower left sides of each panel.

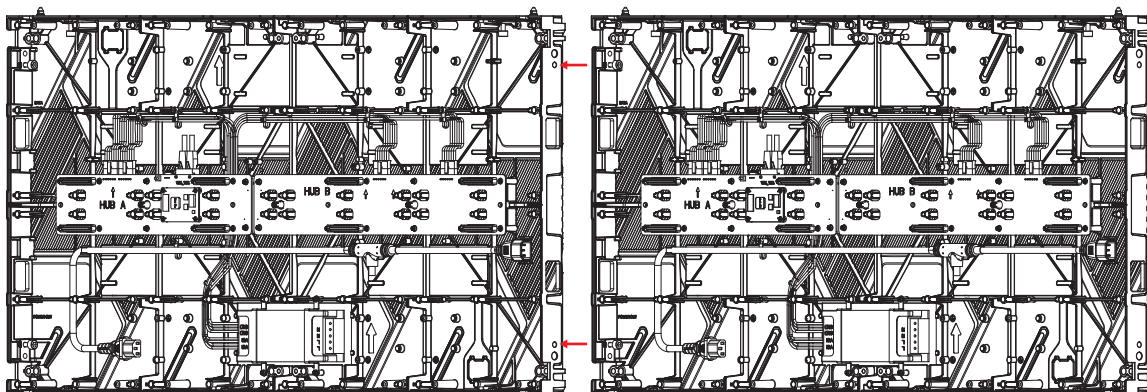
### Horizontal Panel Connection

Use the following instructions to join panels horizontally:

1. Align each of the panels screws with the corresponding holes on the panels being added.
2. Connect the panels and properly fasten the screws.



**Due to tolerances in the materials, as well as wear and tear of the latches, some tightening latches may not line up when tightened. This is normal.**



## Mounting Multiple Cabinets

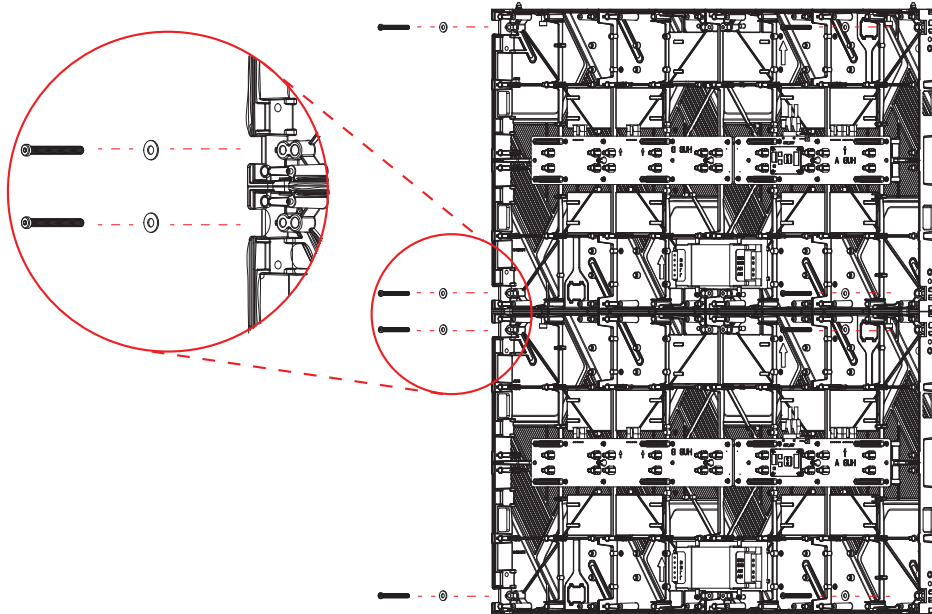
### Flattening Brackets Diagram

When mounting multiple cabinets, it may be necessary to use brackets in order to maintain the same depth at the corner of each cabinet. Different mounting options will require different kinds of brackets. For an illustration of the required screws and brackets, see the [Product Overview](#) section.

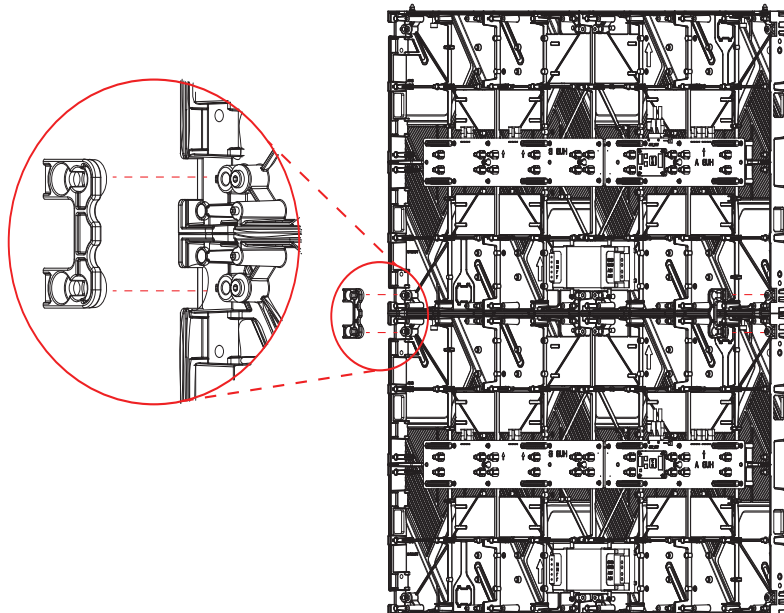
#### Left/Right Brackets

If the cabinets are being connected vertically, use left and right brackets to maintain the same depth. To properly install left and right brackets:

1. Connect the cabinets adjacent to each other and screw directly to the flat wall using the A screws.



2. Tighten the cabinets together, but only finger-tight, not tool-tight.
3. Once the A Screws are tightened, place the left/right brackets over the screws to ensure that the brackets sit flush.





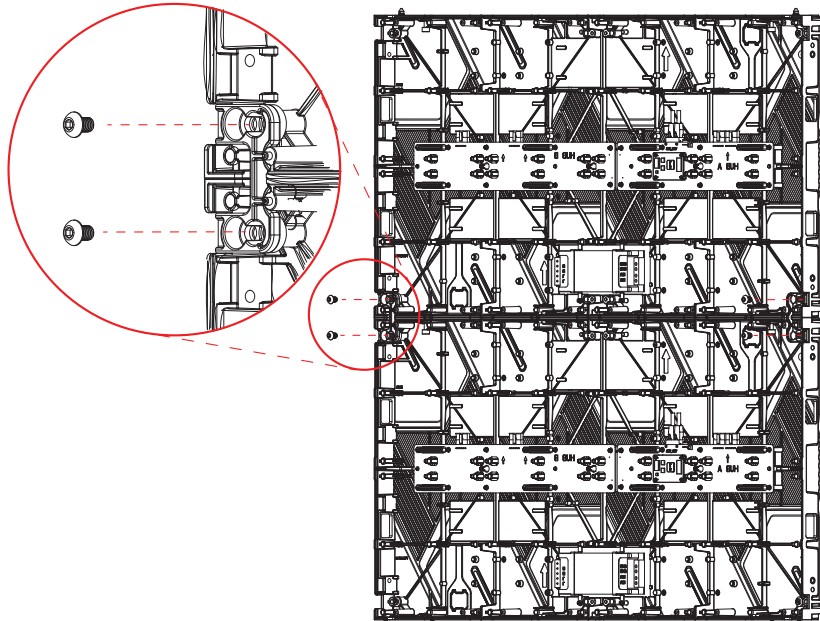
## Joining Each REM MIRA

4. Tool-tighten the cabinets together.

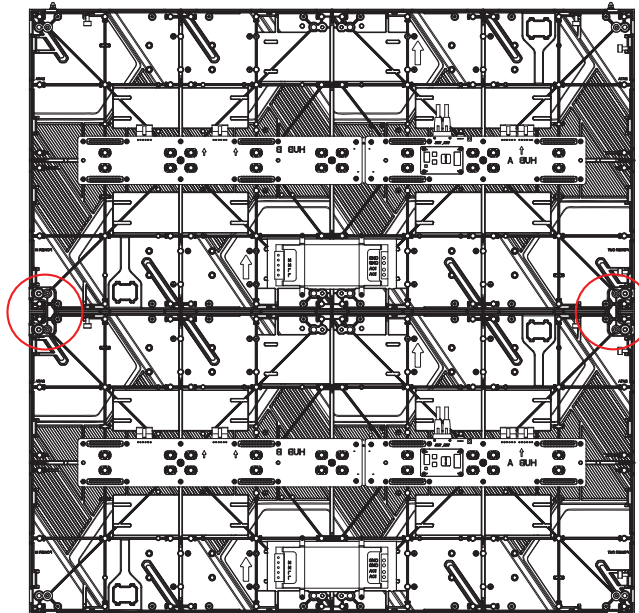


- **Brackets are used ONLY at the intersections of cabinets and are NOT necessary on the outer corners.**
- **A single brackets can be used on either the left OR right of the cabinet.**

5. Once the brackets sit flush and align the cabinets at the same depth, insert the B screws into the bracket.



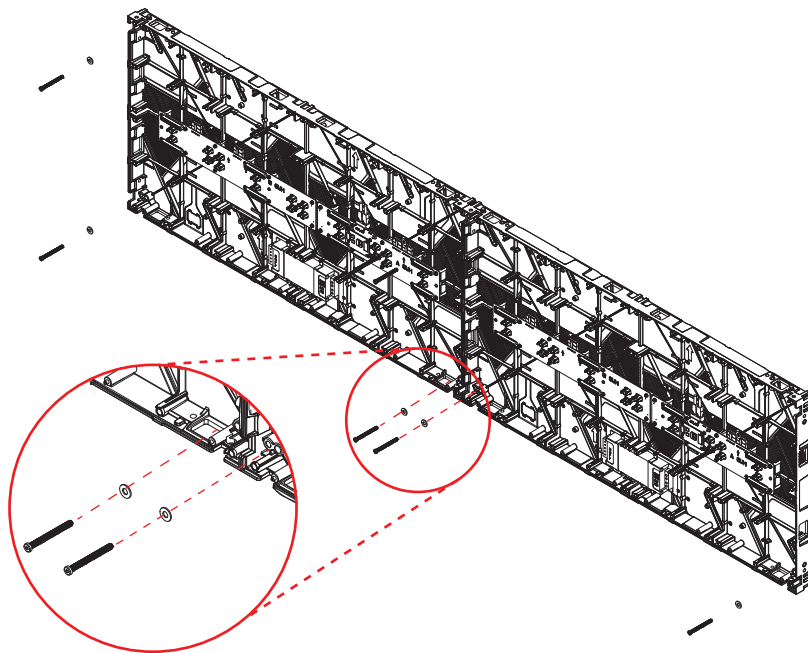
6. Ensure that the brackets are attached firmly to the cabinet.



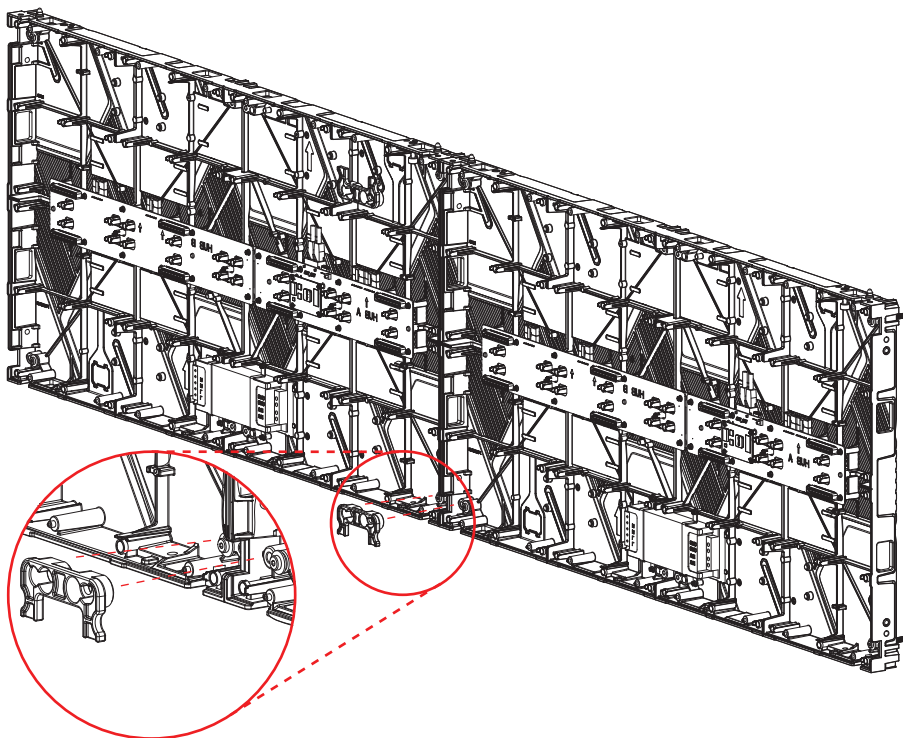
**Top/Bottom Brackets**

If the cabinets are being connected horizontally, use top and bottom brackets to maintain the same depth. To properly install top and bottom brackets:

1. Connect the cabinets adjacent to each other and screw directly to the flat wall using the A screws.



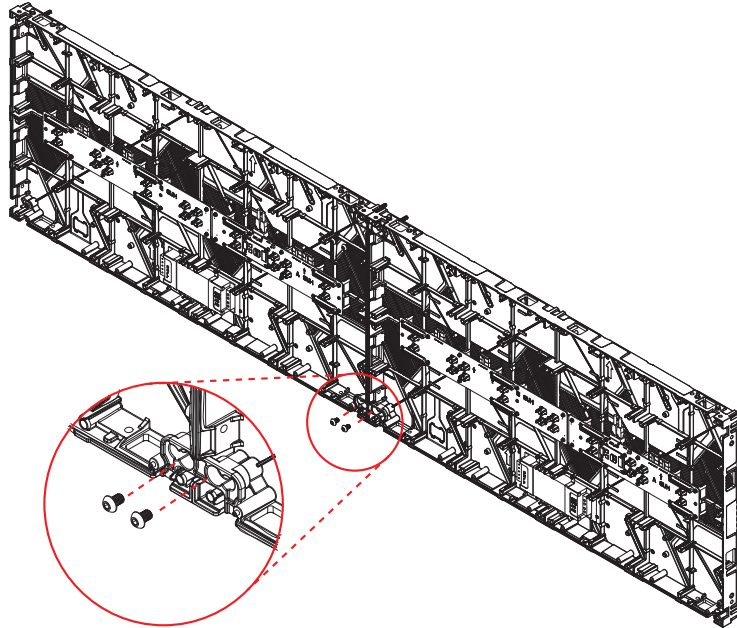
2. Tighten the cabinets together, but only finger-tight, not tool-tight.
3. Once the A Screws are tightened, place the top/bottom brackets over the screws to ensure that the brackets sit flush.



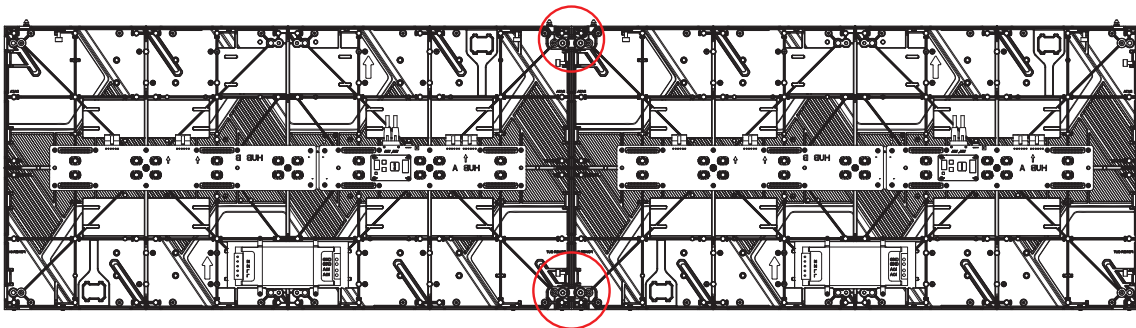


## Joining Each REM MIRA

4. Tool-tighten the cabinets together.
5. Once the brackets sit flush and align the cabinets at the same depth, insert the B screws into the bracket.



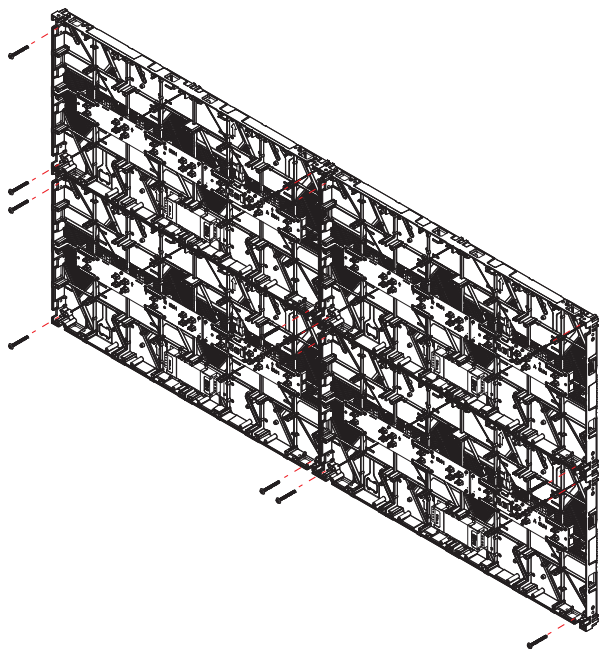
6. Ensure that the brackets are attached firmly to the cabinet.



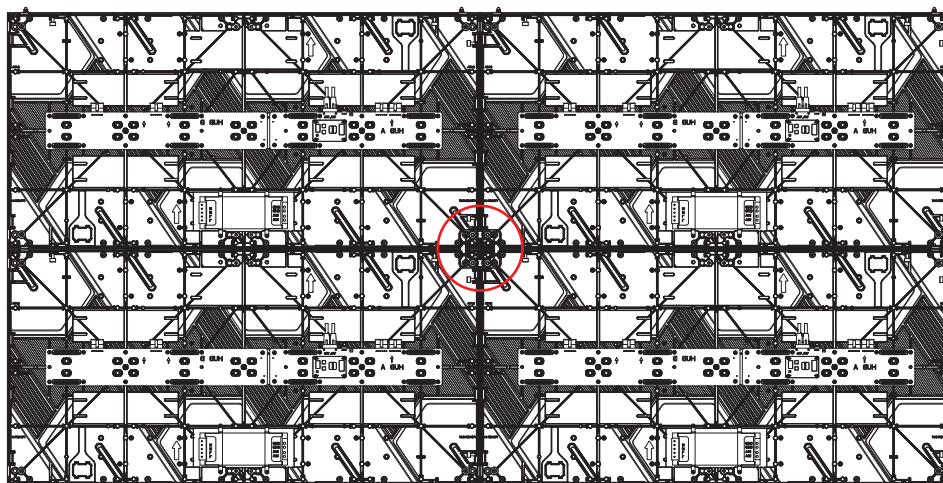
**Center Brackets**

If the cabinets are being connected with a four-point intersection, use the provided center bracket to maintain the same depth. To properly install center brackets:

1. Connect the cabinets adjacent to each other and screw directly to the flat wall using the A screws.



2. Repeat steps 2-6 from the above sections, using a single center bracket at the 4-point intersection instead.



## 5. Mounting

### Orientation

Each REM MIRA is constructed of aluminum. This ensures the cabinet is stable and easy to install. The cabinet also has alignment conicals on the top and side of the product.

The REM MIRA is front service only and should be installed on a flat wall. The product cannot be hung from a truss. Chauvet recommends following the general guidelines below.

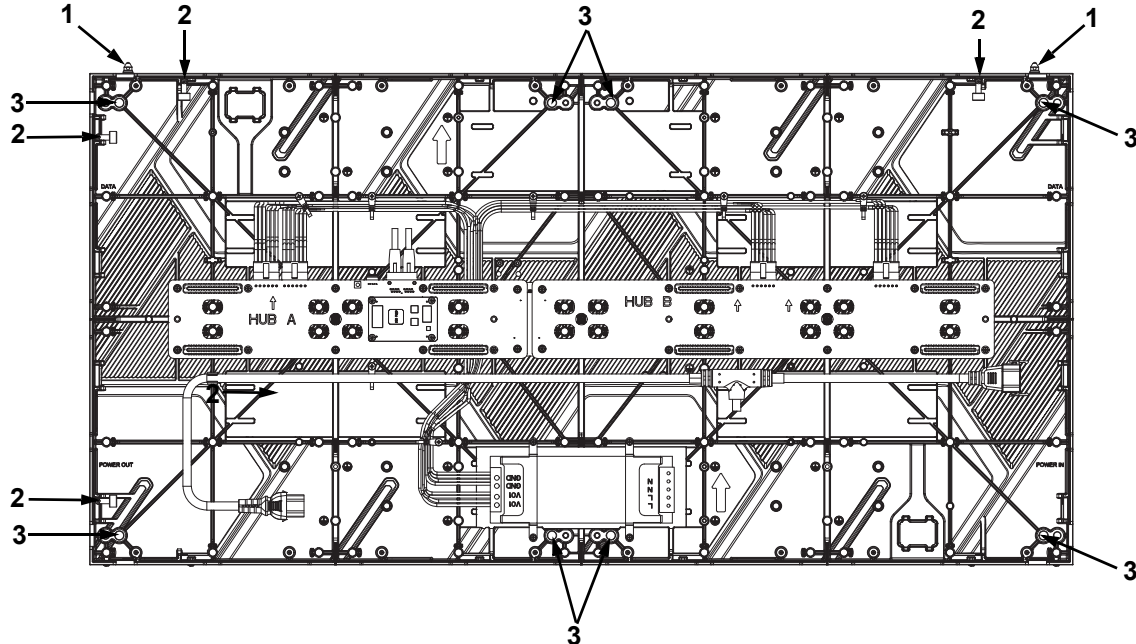
- When selecting an installation location, consider ease of access for operation and routine maintenance.
- Make sure to mount away from any flammable material, as indicated in the [Safety Notes](#) section.
- Never mount in places where rain, extreme temperature changes, or restricted ventilation may affect it.
- Make sure that the structure and attachment points can support the weight before mounting the panels.
- Make sure that all load-bearing hardware used can support the weight.



**REM panels are ONLY to be mounted in the orientation shown in this manual. Mounting in other ways may result in serious injury. Screws are for attachment purposes and are not designed to be load bearing.**

### Mounting Points

1. Alignment conicals
  2. Screws
  3. M10 Mounting holes

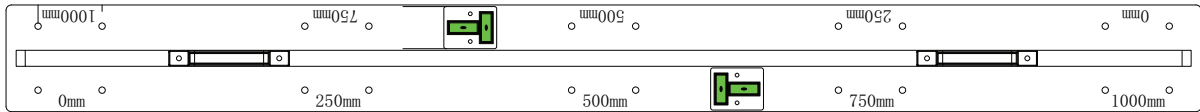
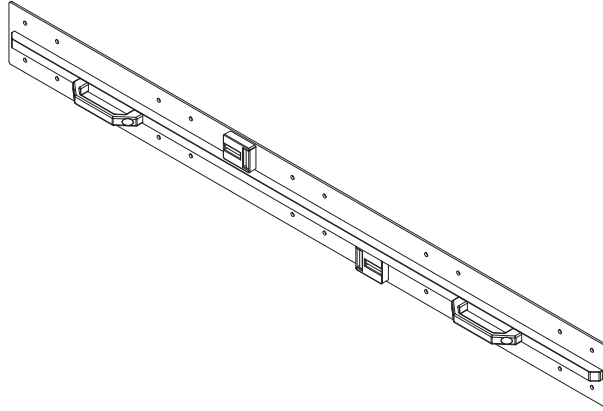


**Chauvet offers multiple mounting options for REM-series products. REM-series products are NOT designed to sit directly on the floor or directly on flat surfaces. Doing so may cause damage to the LEDs, which is not covered under warranty. Please contact Chauvet Sales or Technical Service for more details on the offered mounting solutions.**

**Flat Wall Installation Preparation**

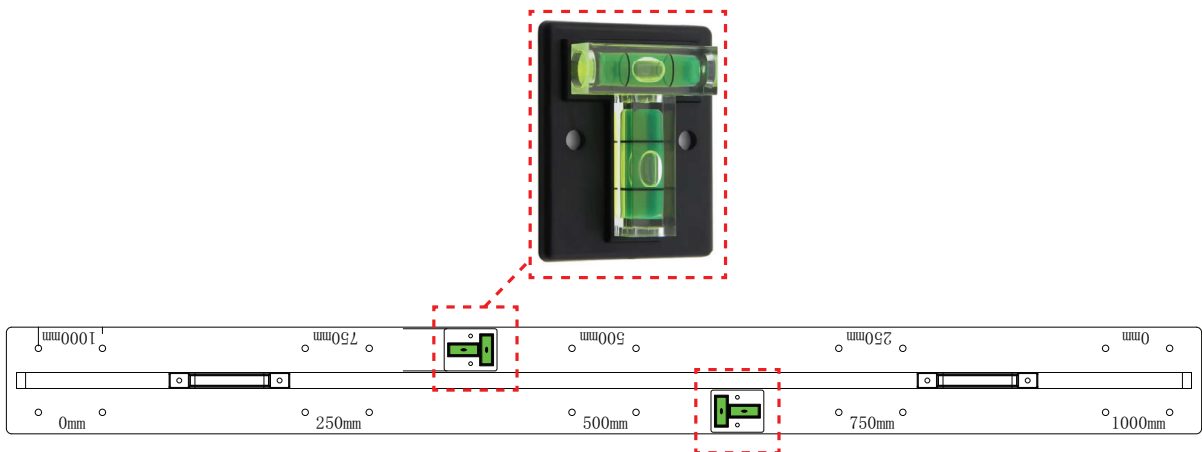
The REM MIRA can be mounted directly onto a flat wall or to a steel strut. Either way, the structure must be prepared for installation. To properly prepare the structure for installation:

1. Press the provided drill guide against the flat designated flat wall. The drill guide can be used horizontally AND vertically.



**The labels on the drill guide may be used to ensure accurate measurements.**

2. Ensure that the drill guide is level using the built-in vertical and horizontal levels.



3. Hold the drill guide firmly against the flat wall and drill accordingly.



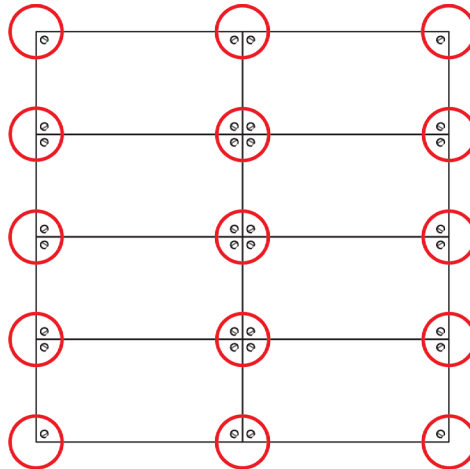
**Two people should hold the drill guide firmly in place while holes are being drilled in the flat wall. Failure to do so may result in injury.**

## Mounting

### Flat Wall Installation

Refer to the following diagrams for flat wall installation.

#### Mounting Points on a Flat Wall



**At least 1 mounting point for every junction (circled) must be secured, including outside edges and corners**

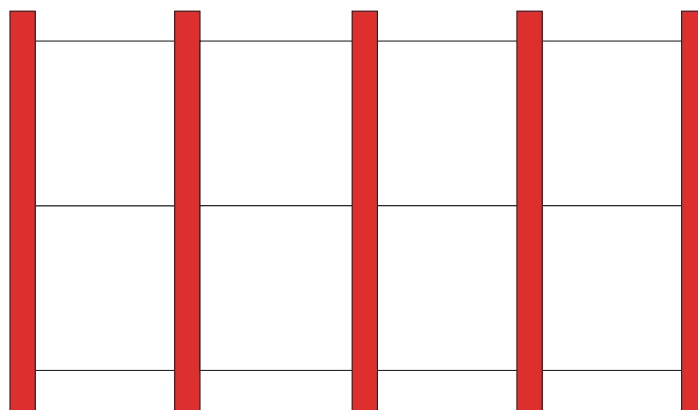


The mounting holes are intended for flush mount installation to a flat surface against the video panels. 1 mounting point for every junction, including outside edges and corners, must be used in order to maintain structural integrity. The mounting points are NOT intended for hanging or suspending from a truss or other overhead structure.

#### Mounting with Steel Struts

Chauvet recommends using a VERTICAL steel strut for each column of panels, plus 1, as in the following diagrams:

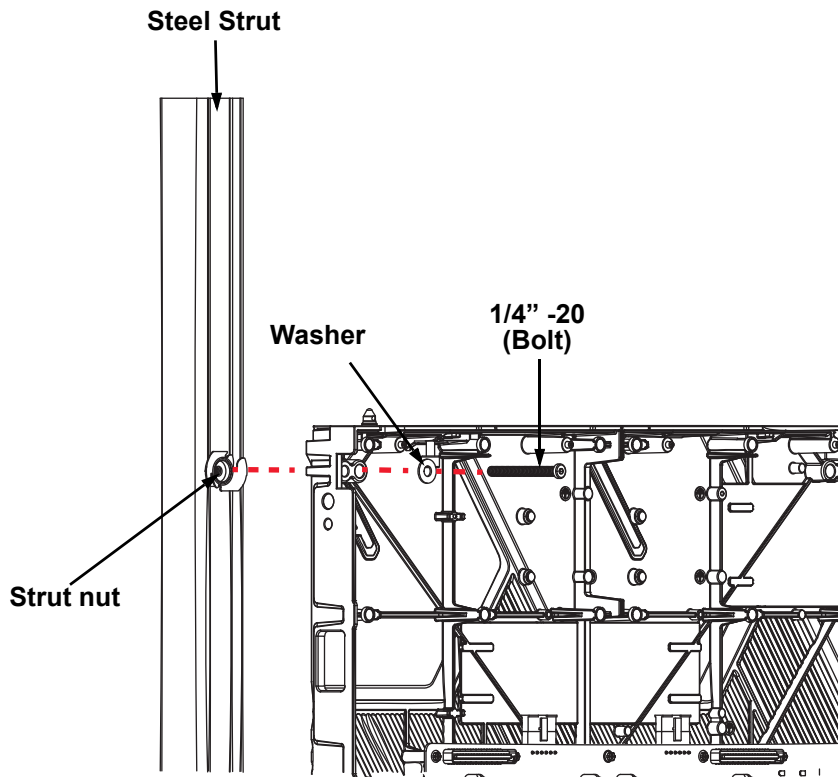
**4 columns + 1  
= 5 steel struts**



The illustrations above are examples only. Please refer to all applicable local codes and regulations for the proper installation of the product.

**Steel Strut Installation Diagram**

The cabinet may be mounted to a flat wall using steel struts. When mounting with steel struts, follow the diagram below:

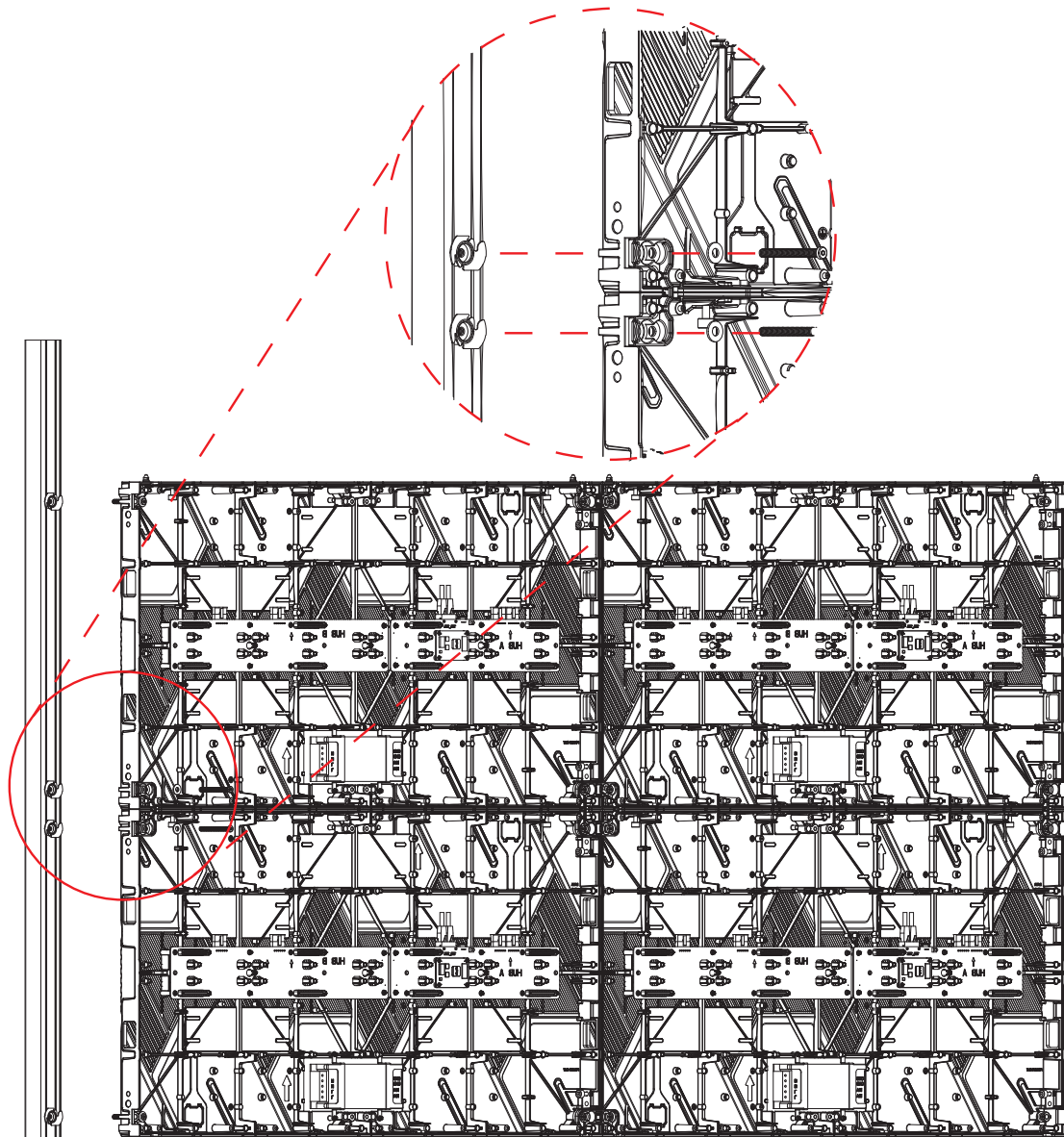




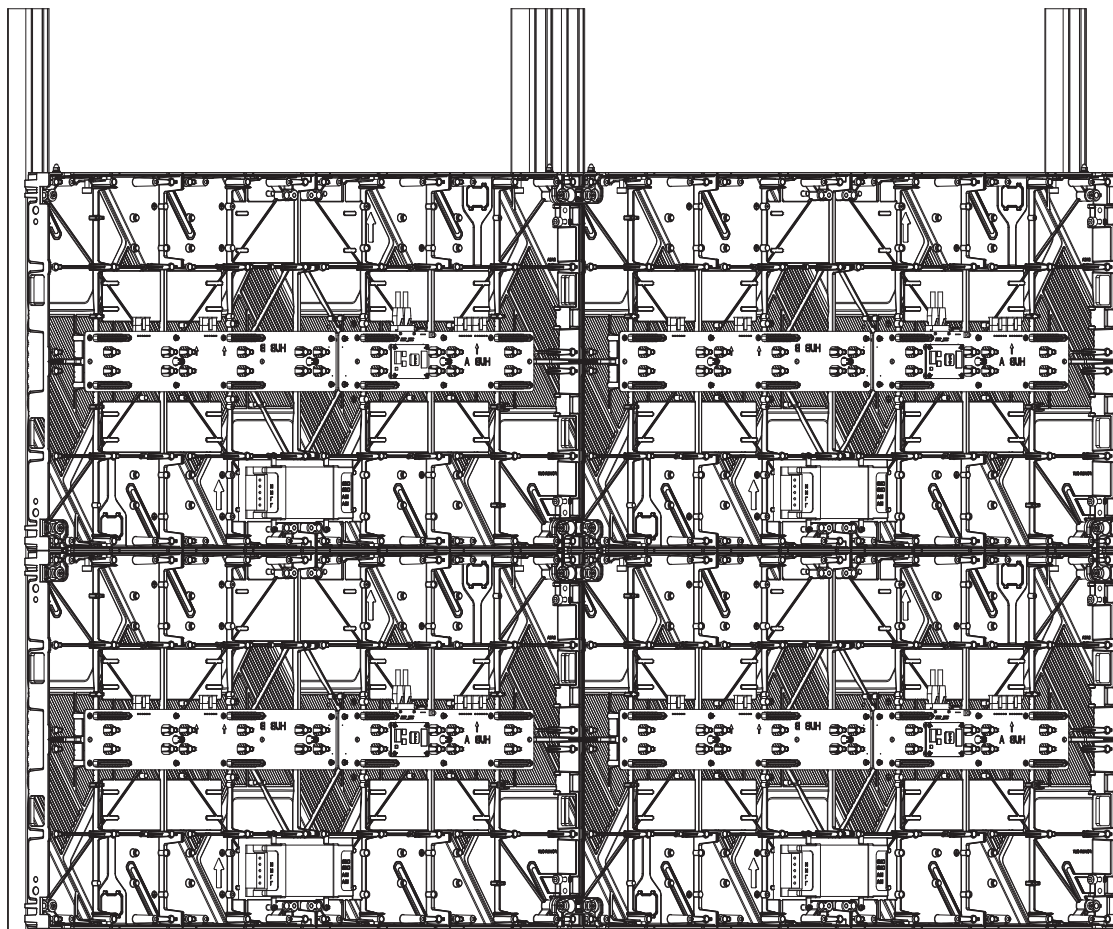
## Flat Wall Installation using Flattening brackets

When mounting with multiple cabinets to a flat wall, it is necessary to use flattening brackets. Once the brackets are attached, do the following:

1. Ensure that all of the brackets are properly attached to the cabinets. For further information on how to do this, see [Mounting Multiple Cabinets](#).
2. Once the brackets are attached, align the strut nut on the steel strut to the holes on the cabinet. Then insert the bolts and washers, fastening the cabinet to the steel strut.



3. Ensure that all of the bolts are screwed into their corresponding strut nut, so that the cabinet fits firmly on the steel strut. Repeat this process until all of the desired struts are in place.



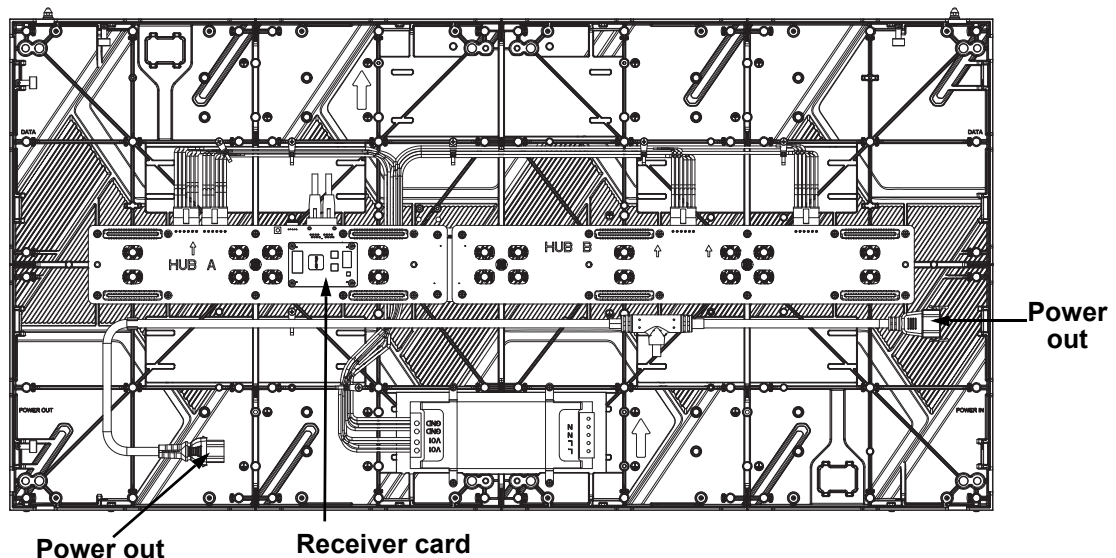


## 6. Connecting & Cabling Each REM MIRA

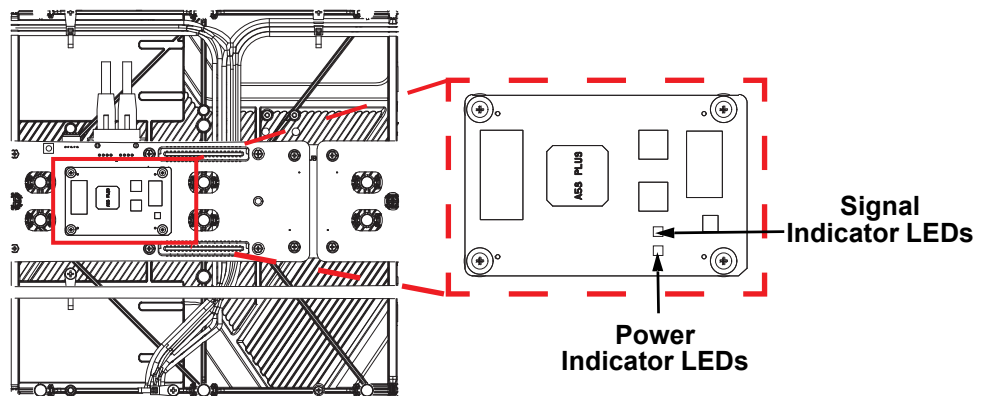
### Testing Signal and Power Connections

Each REM MIRA cabinet has 2 power sockets and 2 signal ports. The following table outlines each of the indicator functions.

Indicator	Color	Status	Description
Running indicator	Green	Flashing once per 1s	Receiving card function and Ethernet cable is normal. Video source input available.
		Flashing every 3s	Ethernet cable connection is abnormal.
		Flashing 3 times per 0.5s	Ethernet cable is normal, but no video source input is available.
		Flashing once per 0.2s	Receiving card failed to load program in the application area. Receiving card is using the backup program.
		Flashing 8 times per 0.5s	A redundancy switchover occurred on Ethernet port and the loop backup has taken effect.
Power indicator	Red	Always on	Power input is normal.



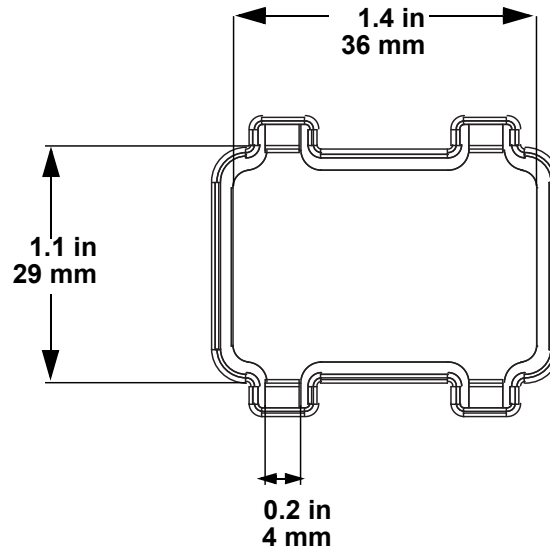
### LED Indicators



Always test/check the power and signal indicators before installing the LED modules.

## REM MIRA Knockouts

### Knockout Dimensions

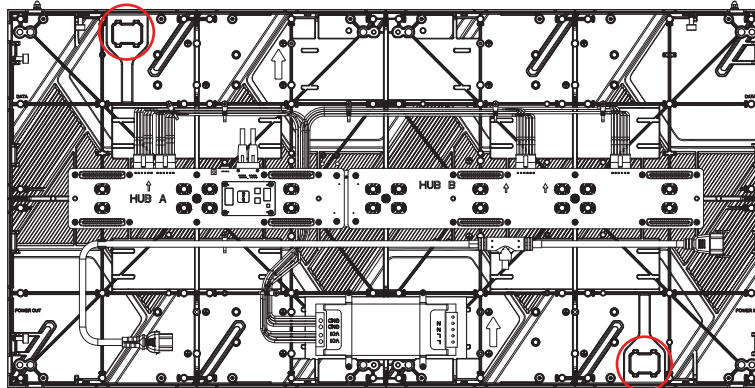


When removing knockouts, do not use a tool that exceeds the width of the knockouts on the REM MIRA. Failure to do so may damage the product.

### Removing Knockouts

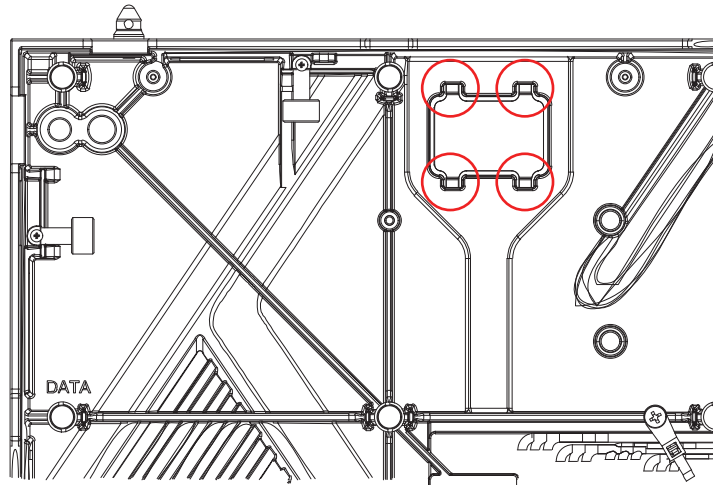
The REM MIRA has two knockouts for additional cabling options. Knockouts are partially stamped removable openings in electrical enclosures and boxes. Knockouts are pre-designed and can be removed in order to allow electrical wiring to run through the enclosure. To remove a knockout from the REM MIRA:

1. Identify which knockout to remove.



When deciding which knockout to remove, select the knockout that would allow the wires to remain straight with the least amount of bending.

2. Locate the knockout's attachment points.



**Each knockout has attachment points -small tabs that connect the knockout to the enclosure.**

3. Facing the back of the cabinet, place the tip of a flat-head screwdriver on one of the attachment points.
4. Press the screwdriver or hit the end of the screwdriver with a hammer gently to partially detach the knockout.
5. From the back of the cabinet, use a hammer and hammer the knockout until it is released.

## Connecting Power and Signal Cables

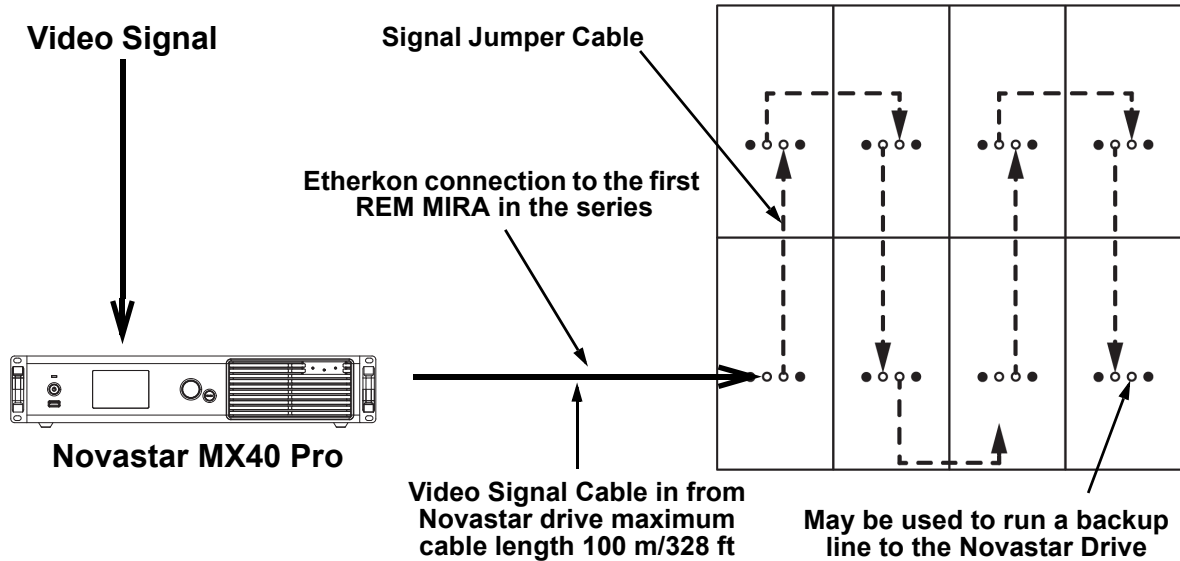
The following sections provide information and diagrams on connecting signal and power between panels. Refer to the [Introduction](#) section in this User Manual for available cables and item numbers.

### Connecting the Signal Between Joined Panels

Signal cable panel connections can use several different configurations. The basic configuration to connect the signal from one panel to the next is as follows:

1. The source signal is connected to the first panel.
2. A signal cable is then connected from the first panel.
3. The connections continue to daisy-chain until all panels are connected.
4. The route of the cables used to make the signal connections can vary.

The following diagram is a recommended suggestion for simple signal connections between panels.



- When using the “low latency” feature, wire the panels and assign each column its own port on the drive. Columns should start from the top and running downwards.
- Failure to wire the panels in this manner may hinder the low latency feature and result in a distorted output image.

To calculate the number of panels, horizontally and vertically, supported by a single Novastar MX40 Pro sender, use:



- The number of pixels per panel.
- The screen resolution desired for the video wall display.

The Novastar MX40 Pro Sender is required to operate an REM MIRA video wall system. Diagrams of how the REM MIRA panels and the Novastar VMP Platform connect follow later in this manual. For detailed information about the Novastar VMP Platform and panel calculation examples, refer to the User Manual for the Novastar MX40 Pro Sender.

# Connecting & Cabling Each REM MIRA

## Signal Chain Rectangles

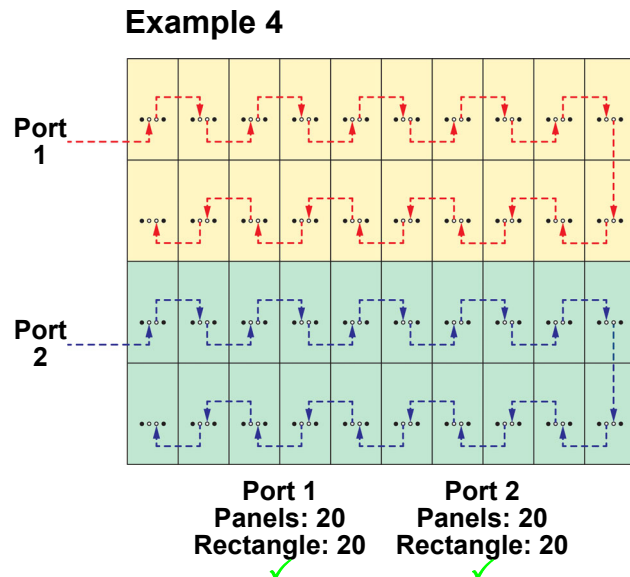
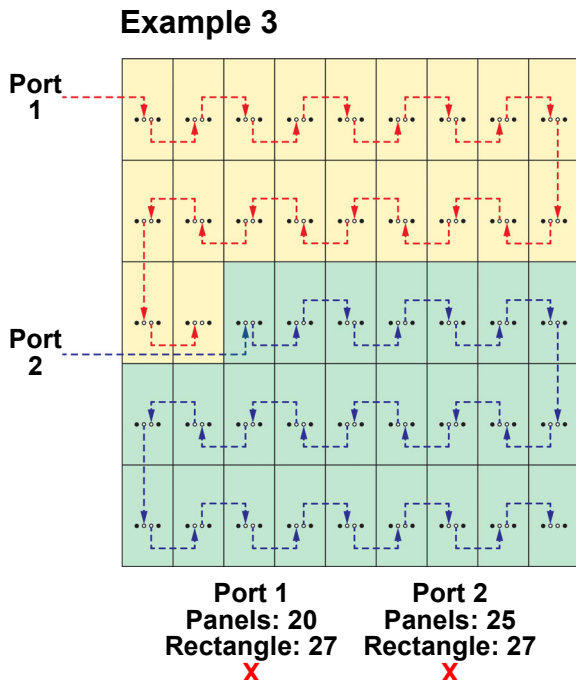
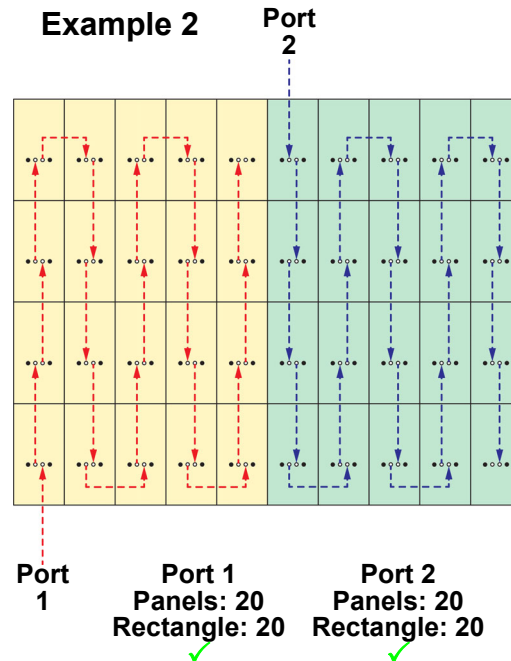
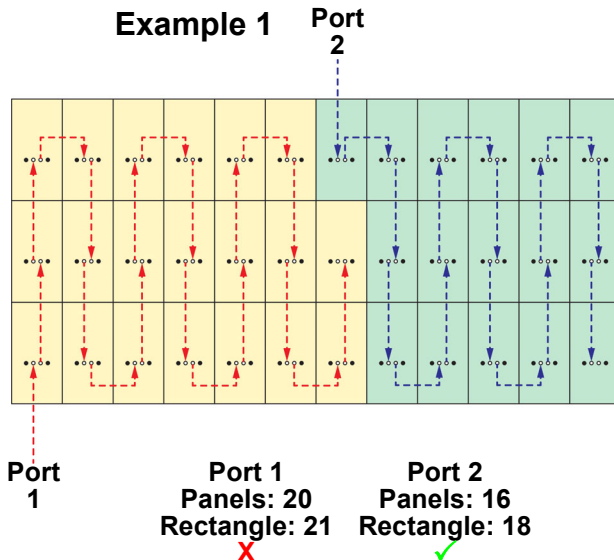
When panels are assembled together to output video from a Novastar MX40 Pro, they form horizontal rows and vertical columns in rectangular arrangements.

Each port of one of the Novastar MX40 Pro driver can support multiple REM MIRA panels. If the amount of panels used exceeds the maximum, more than 1 output port from the Novastar MX40 Pro will be required. Pixels for each port are calculated as whole rectangles. Even if all panels within a rectangle are not connected to a port, the total panels in the rectangle must be within the limits of the port.

Connecting panels to a single port in an arrangement which creates a rectangle larger than the maximum permitted will result in error.

Of the following examples, only those where both of the following are true can work:

- The number of panels connected to each port is equal to or less than 20.
- The panels connected to each port individually form a rectangle which includes 20 panels or fewer.



### Connecting the Power Between Joined Panels

Power cable panel connections can also use different configurations. The basic configuration to connect the main power supply from one panel to the next is:

1. The main power is connected to the first panel's Power Input or Output.
2. A power cable is then connected to the first panel's Power Output and connected to the next panel's Power Input.
3. The connections continue until all panels are connected.

Connect power between the panels using the same procedure as the signal only using the Power Input and Power Output connectors. Always adhere to the power-linking specifications for each REM MIRA model.

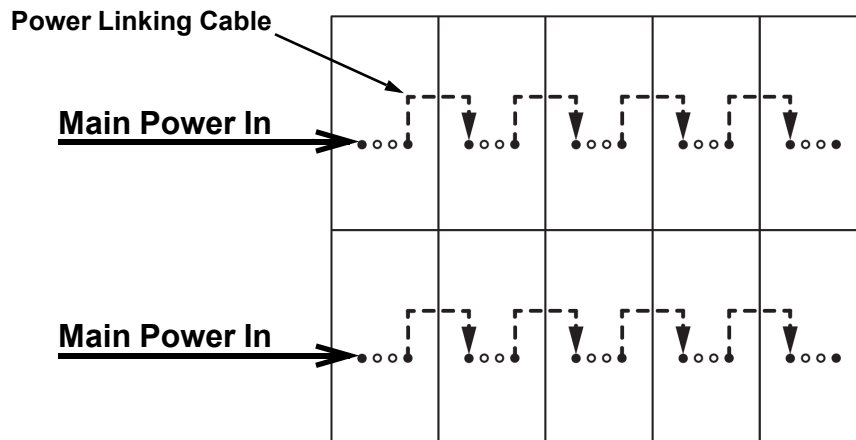
Refer to the [Power Linking](#) section for details on the number of panels that can be linked based on voltage from a single power connection.



**Power linking more panels than recommended will void the product's warranty and increase the risk of electrocution or fire!**

Refer to the following diagrams for an example of power connection from the main and to each connected panel.

This example is using the REM MIRA power linking 5 panels horizontally @ 120 V.



## Contact Us

General Information	Technical Support
<b>Chauvet World Headquarters</b>	
Address: 3360 Davie Rd., Suite 509 Davie, FL 33314 Voice: (954) 577-4455 Fax: (954) 929-5560 Toll Free: (800) 762-1084	Voice: (844) 393-7575 Fax: (954) 756-8015 Email: <a href="mailto:chauvetcs@chauvetlighting.com">chauvetcs@chauvetlighting.com</a> Website: <a href="http://www.chauvetprofessional.com">www.chauvetprofessional.com</a>
<b>Chauvet U.K.</b>	
Address: Pod 1 EVO Park Little Oak Drive Sherwood Park, Nottinghamshire, U.K. NG15 OEB Voice: +44 (0) 1773 511115 Fax: +44 (0) 1773 511110	Email: <a href="mailto:UKtech@chauvetlighting.eu">UKtech@chauvetlighting.eu</a> Website: <a href="http://www.chauvetprofessional.eu">www.chauvetprofessional.eu</a>
<b>Chauvet Benelux</b>	
Address: Vaartlaan 9800 Deinze Belgium Voice: +32 9 388 93 97	Email: <a href="mailto:BNLtech@chauvetlighting.eu">BNLtech@chauvetlighting.eu</a> Website: <a href="http://www.chauvetprofessional.eu">www.chauvetprofessional.eu</a>
<b>Chauvet France</b>	
Address: 3, Rue Ampère 91380 Chilly-Mazarin France Voice: +33 1 78 85 33 59	Email: <a href="mailto:FRtech@chauvetlighting.fr">FRtech@chauvetlighting.fr</a> Website: <a href="http://www.chauvetprofessional.eu">www.chauvetprofessional.eu</a>
<b>Chauvet Germany</b>	
Address: Bruno-Bürgel-Str. 11 28759 Bremen Germany Voice: +49 421 62 60 20	Email: <a href="mailto:DEtech@chauvetlighting.de">DEtech@chauvetlighting.de</a> Website: <a href="http://www.chauvetprofessional.eu">www.chauvetprofessional.eu</a>
<b>Chauvet Mexico</b>	
Address: Av. de las Partidas 34 - 3B (Entrance by Calle 2) Zona Industrial Lerma Lerma, Edo. de México, CP 52000 Voice: +52 (728) 690-2010	Email: <a href="mailto:servicio@chauvet.com.mx">servicio@chauvet.com.mx</a> Website: <a href="http://www.chauvetprofessional.mx">www.chauvetprofessional.mx</a>

## Warranty & Returns

For warranty terms and conditions and return information, please visit our website.

For customers in the United States and Mexico: [www.chauvetlighting.com/warranty-registration](http://www.chauvetlighting.com/warranty-registration).

For customers in the United Kingdom, Republic of Ireland, Belgium, the Netherlands, Luxembourg, France, and Germany: [www.chauvetlighting.eu/warranty-registration](http://www.chauvetlighting.eu/warranty-registration).