

Ground Stack Kit

User Manual



Model ID: GROUNDSTACKKIT

Edition Notes

The Ground Stack Kit User Manual includes a description, safety precautions, installation, programming, operation, and maintenance instructions for the Ground Stack Kit as of the release date of this edition.

Trademarks

Chauvet, Chauvet Professional, the Chauvet logo, Ground, and Ground Stack are registered trademarks or trademarks of Chauvet & Sons, LLC (d/b/a Chauvet and Chauvet Lighting) in the United States and other countries. Other company and product names and logos referred to herein may be trademarks of their respective companies.

Copyright Notice

The works of authorship contained in this manual, including, but not limited to, all designs, text, and images are owned by Chauvet.

© **Copyright 2024 Chauvet & Sons, LLC. All rights reserved.**

Electronically published by Chauvet in the United States of America.

Manual Use

Chauvet authorizes its customers to download and print this manual for professional information purposes only. Chauvet expressly prohibits the usage, copy, storage, distribution, modification, or printing of this manual or its content for any other purpose without written consent from Chauvet.

Document Printing

For best results, print this document in color, on letter size paper (8.5 x 11 in), double-sided. If using A4 paper (210 x 297 mm), configure the printer to scale the content accordingly.

Intended Audience

Any person installing, operating, and/or maintaining this product should completely read through the guide that shipped with the product, as well as this manual, before installing, operating, or maintaining this product.

Disclaimer

Chauvet believes that the information contained in this manual is accurate in all respects. However, Chauvet assumes no responsibility and specifically disclaims any and all liability to any party for any loss, damage, or disruption caused by any errors or omissions in this document, whether such errors or omissions result from negligence, accident, or any other cause. Chauvet reserves the right to revise the content of this document without any obligation to notify any person or company of such revision. However, Chauvet has no obligation to make, and does not commit to make, any such revisions.

Document Revision

Go to www.chauvetprofessional.com for the latest version.

Revision	Date	Description
3	10/2024	Updated What's Included section.

Table of Contents

1. Before You Begin	1
What Is Included	1
Claims	1
Symbols	1
Safety Notes.....	2
2. Introduction	3
Description	3
Features	3
Product Overview.....	3
Assembled Overview	3
Assembled Product Dimensions	4
TR16 Screw Jack Overview	4
Floor Base Overview	4
1 M Ladder Truss Overview	5
0.5 M Ladder Truss Overview	5
Ladder Pipe Overview	5
Panel Attachment Arm Overview	6
REM Bracket	6
Accessories Overview	7
3. Setup	8
Guidelines	8
Orientation.....	8
Required Tools.....	8
Unpacking	8
Setup Procedure (F-Series)	10
Rig Bar and Floor Base Attachment.....	10
Ladder Truss Setup.....	12
Ladder Pipe Attachment.....	13
Ballast Weight Requirements	13
DRB-CURVEKIT Instructions	14
Installing the Floor Bases with the DRB-CURVEKIT	15
Setup Procedure (REM Series).....	16
Rig Bar and Floor Base Attachment.....	16
Ladder Truss Setup.....	18
Ladder Pipe Attachment.....	19
Ballast Weight Requirements	19
4. Mounting	20
REM Panel Mounting	20
Mounting Procedure.....	20
F-Series Panel Mounting.....	23
Mounting Procedure	23
Mounting Procedure (VID-CURVEKIT).....	26
VID-CURVEKIT Description	26
VID-CURVEKIT Overview.....	26
Selecting the Angle	26
Angle Selection Diagram	26

Installing on F-Series Panels	27
VID-CURVEKIT Mounting	28
VID-CURVEKIT Mounting Diagram	28
VID-CURVEKIT Mounting Procedure	28
Curved Setup Example	29
5. Maintenance	30
Lubrication.....	30
Inspecting for Faults.....	30
6. Technical Specifications	31
Contact Us	32
Warranty & Returns.....	32

Before You Begin

1. Before You Begin

What Is Included

- 1 Customized road case (ships prepacked)
- 2 Floor bars
- 6 Panel attachment arm
- 5 Ladder pipe with clamp
- 4 0.5 m truss
- 4 1 m truss
- 8 TR16 screw jack
- 1 climbing platform
- 13 M12 F-series cabinet screws
- 6 REM bracket
- 17 truss double sided connector AL6063
- 37 truss pins with clip
- 1 6in bubble level
- Quick Reference Guide



The Ground Stack Kit is shipped in the road case.




Claims

Carefully unpack the product immediately and check the container to make sure all the parts are in the package and are in good condition.

If the box or the contents (the product and included accessories) appear damaged from shipping, or show signs of mishandling, notify the carrier immediately, not Chauvet. Failure to report damage to the carrier immediately may invalidate your claim. In addition, keep the box and contents for inspection.

For other issues, such as missing components or parts, damage not related to shipping, or concealed damage, file a claim with Chauvet within 7 days of delivery.

Symbols

Symbol	Meaning
	Critical installation, configuration, or operation information. Not following these instructions may make the product not work, cause damage to the product, or cause harm to the operator.
	Important installation or configuration information. The product may not function correctly if this information is not used.
	Useful information.

Safety Notes

Read all the following safety notes before working with this product. These notes contain important information about the installation, usage, and maintenance of this product.



This product contains no user-serviceable parts. Any reference to servicing in this User Manual will only apply to properly trained, certified technicians. Do not open the housing or attempt any repairs.



All applicable local codes and regulations apply to proper installation of this product.

- **CAUTION:**

- This product contains no user-serviceable parts.
- The climbing platform can support up to 250lbs.
- Only qualified and competent persons should use the climbing platform.
- The ballast weights stated in this specification are for indoor usage only. If this kit is used outdoors, the unit must be protected from wind and additional ballast (as determined by a qualified and competent rigger) must be used.
- This product should only be used by competent and qualified individuals.

- **ALWAYS:**

- Use adequate safety hardware to prevent injury from falling.
- Ensure that the floor structure is stable and immobile.
- When selecting an installation location, consider ease of access for operation and routine maintenance of attached panels.



- **DO NOT:**

- Submerge this product (adhere to standards for the published IP rating). Regular outdoor operation is fine.
- Use the kit if any welded joints are cracked or appear damaged in any way.
- Permanently install outdoors in locations with extreme environmental conditions. This includes, but is not limited to:
 - Exposure to a marine/saline environment (within 3 miles of a saltwater body of water).
 - Locations where normal temperatures exceed the temperature ranges in this manual.
 - Locations that are prone to flooding or being buried in snow.
 - Other areas where the product will be subject to extreme radiation or caustic substances.



If your Chauvet product requires service, contact Chauvet Technical Support.

2. Introduction

Description

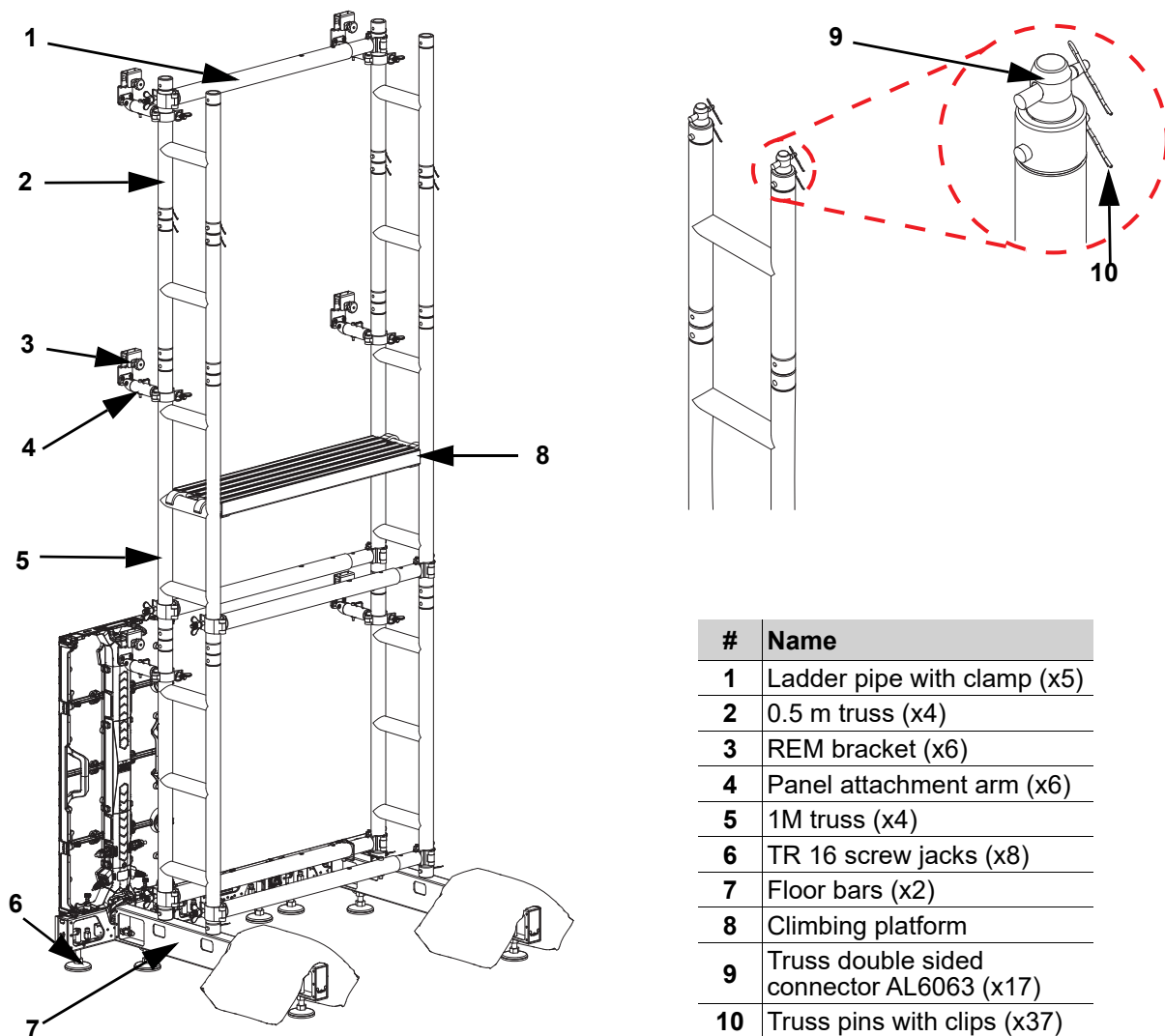
The Ground Stack Kit is a complete ground support solution for stacking REM/F-series video panels as a video wall on the floor. Multiple kits can be used to stack wider video walls. The Ground Stack Kit can accommodate flat and concave video walls, including a 5° or 10° curve (kit sold separately). The DRB-F100CM, DRB-F50CM, DRB-F50CM-IP or DRB-F100CM-IP dual function rig bars are required for operation.

Features

- Complete ground support solution for stacking video wall on the floor
- Works for walls between 4.92 ft (1.5 m) and 6.56 ft (2 m) wide and as high as 9.85 ft (3 m) tall; combine additional Ground Stack Kits to achieve wider walls
- Use multiple kits to stack wider video walls
- Support for flat and concave video walls, including 5° and 10° curves
- Designed to work with the REM1, REM3IP, F2, F3/F3X, F4IP/F4XIP, and F5IP, video panels
- Ships in road case for easy setup and pack after the gig
- DRB-F100CM, DRB-F50CM, DRB-F50CM-IP or DRB-F100CM-IP dual function rig bars required for operation (not included with Ground Stack Kit)
- Climbable system includes platform to assist with rigging taller walls

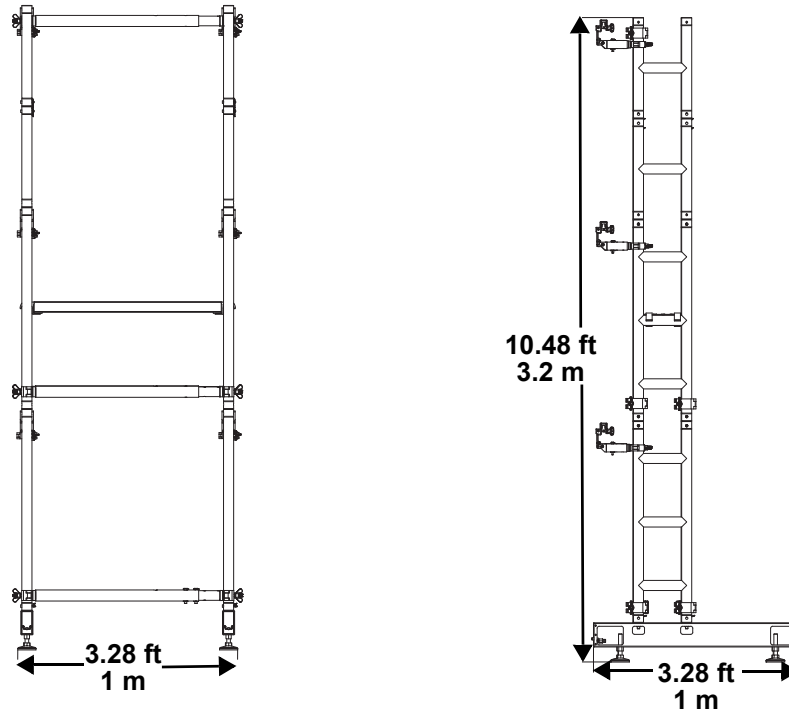
Product Overview

Assembled Overview

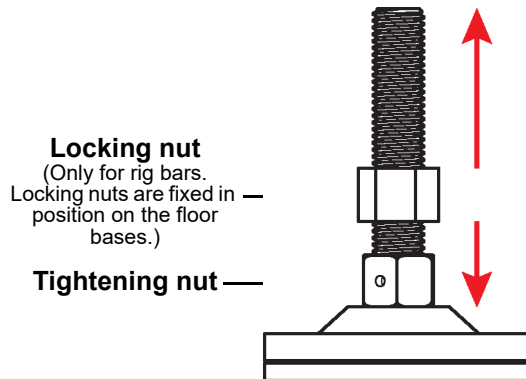


#	Name
1	Ladder pipe with clamp (x5)
2	0.5 m truss (x4)
3	REM bracket (x6)
4	Panel attachment arm (x6)
5	1M truss (x4)
6	TR 16 screw jacks (x8)
7	Floor bars (x2)
8	Climbing platform
9	Truss double sided connector AL6063 (x17)
10	Truss pins with clips (x37)

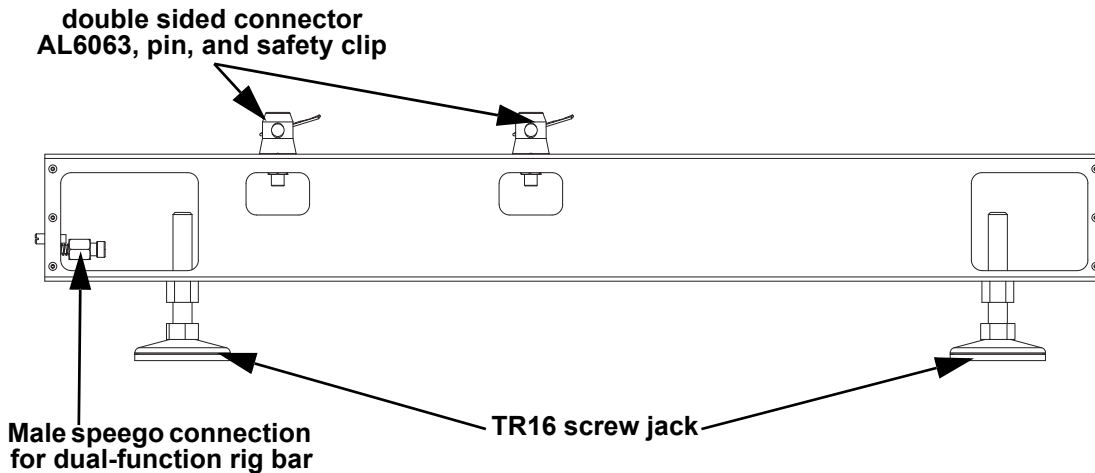
Assembled Product Dimensions



TR16 Screw Jack Overview

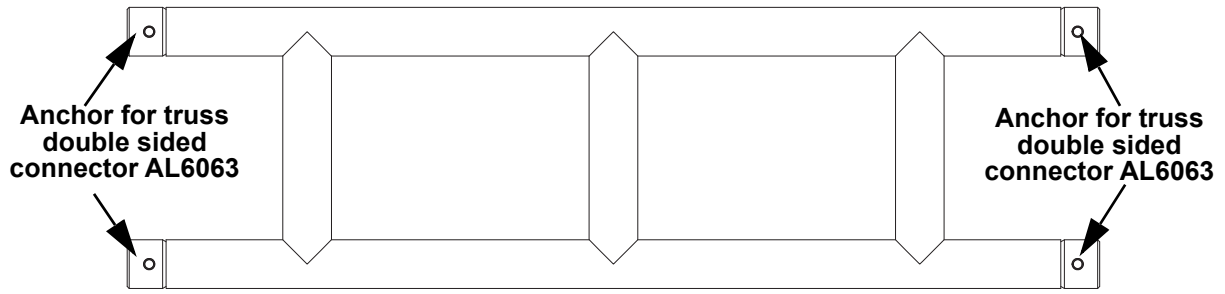


Floor Base Overview

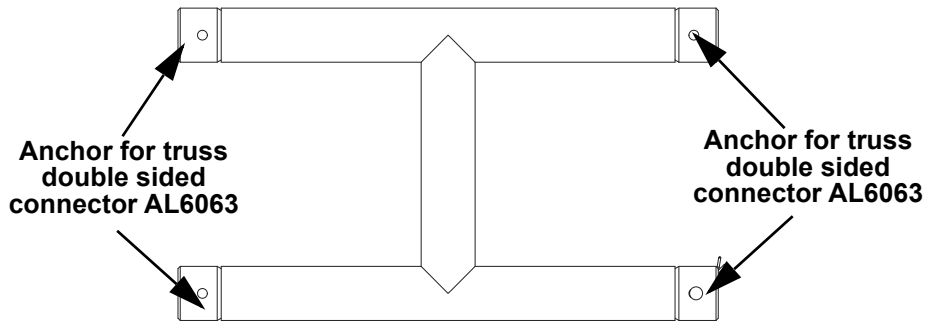


Introduction

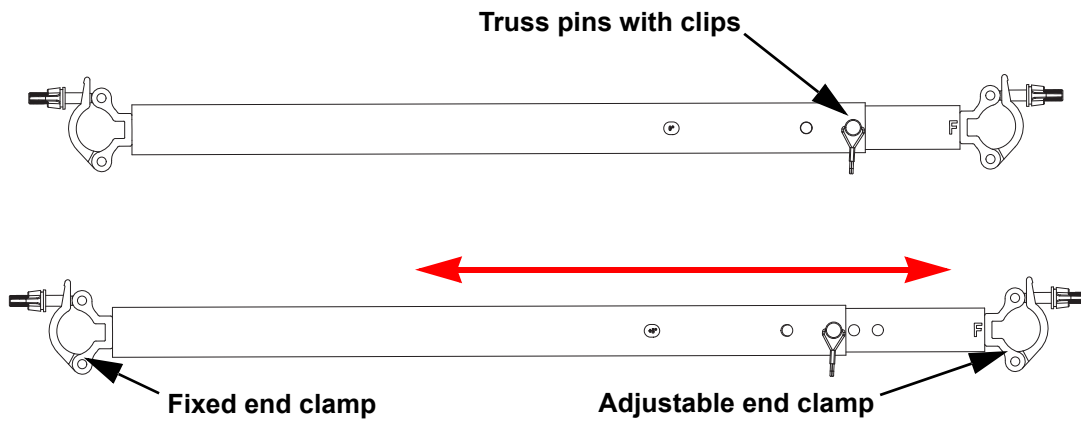
1 M Ladder Truss Overview



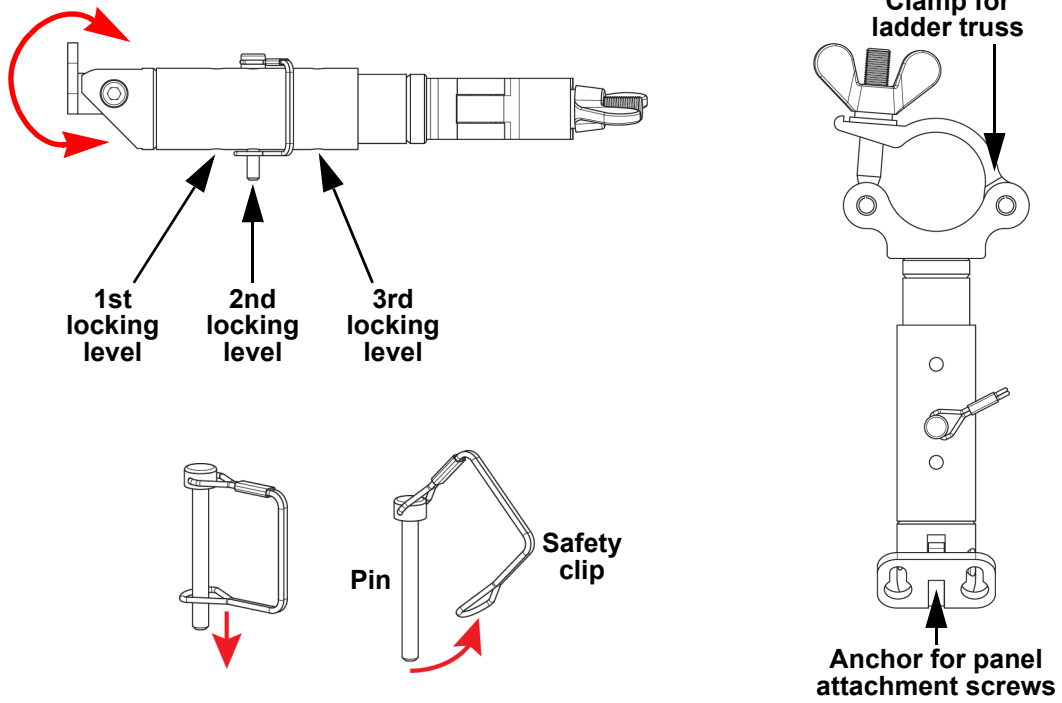
0.5 M Ladder Truss Overview



Ladder Pipe Overview



Panel Attachment Arm Overview



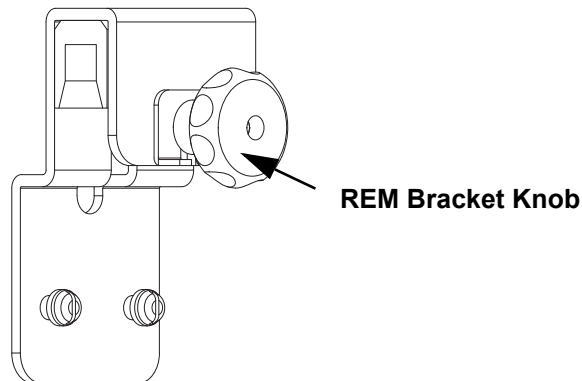
To change the locking level on the panel attachment arm:

1. Slip the safety clip off the end of the pin.
2. Remove the pin.
3. Slide the clamp assembly until the holes line up at the desired level.
4. Insert the pin fully and slip the safety clip back onto the end.



Minimum panel attachment arm length: 0.22 m
Maximum panel attachment arm length: 0.27 m

REM Bracket



Introduction

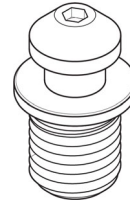
Accessories Overview



**Truss double
sided
connector
AL6063**



**Safety
clip Pin**



**Panel attachment
screw**

3. Setup

Before setting the product up, read and follow the safety recommendations indicated in the [Safety Notes](#).

Guidelines

Chauvet recommends using the following general guidelines when setting this product up.

- Before deciding on a location for the product, make sure there is easy access to the product for maintenance purposes.
- Make sure that the structure and attachment points can support the product's weight and that of the products to be mounted. See the [Technical Specifications](#).

Orientation

Always mount this product in a safe position, making sure there is adequate room for ventilation, configuration, and maintenance of the Ground Stack Kit and all products to be mounted.

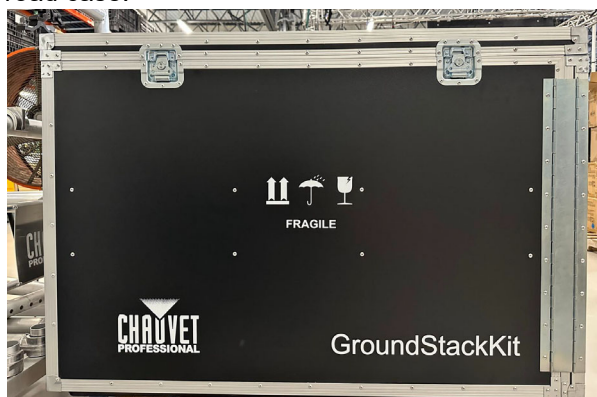
Required Tools

- Bubble level
- 1-inch wrench or large adjustable wrench (C-wrench or crescent wrench)
- 3 mm hex key
- Rubber mallet

Unpacking

The Ground Stack Kit comes in a road case, with all parts and pieces fitted in securely. Follow the steps below to unpack the road case and account for all parts and pieces.

1. Open top lid of the road case.



2. Remove the Quick Reference Guide, trusses, REM Brackets, and the floor bars (with screw jacks installed).



Setup

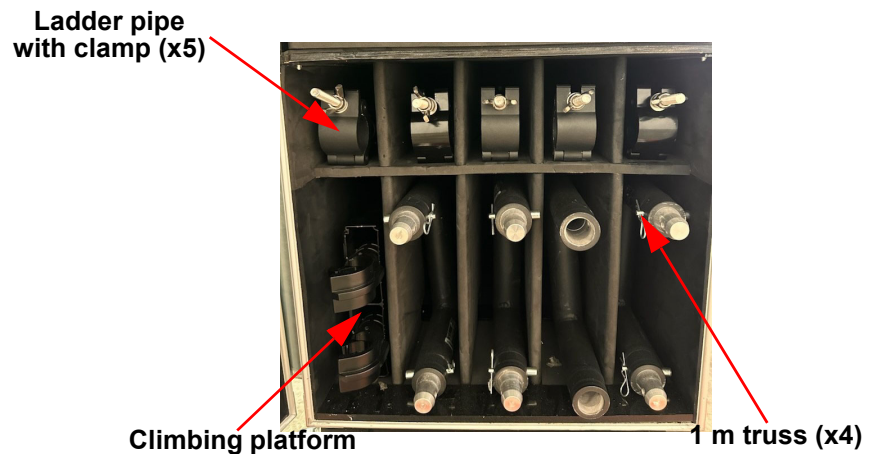
3. Locate the bubble level on the inside of the lid.



4. Locate/identify parts that may be packed beneath others. Ensure that all of the following are present:
 - Truss pins and safety clips (37)
 - M12 F-series cabinet screws (13)
 - Panel attachment arms (6)



5. The road case for the Ground Stack Kit also features a side compartment, for additional storage space. Open the side compartment to access additional items.



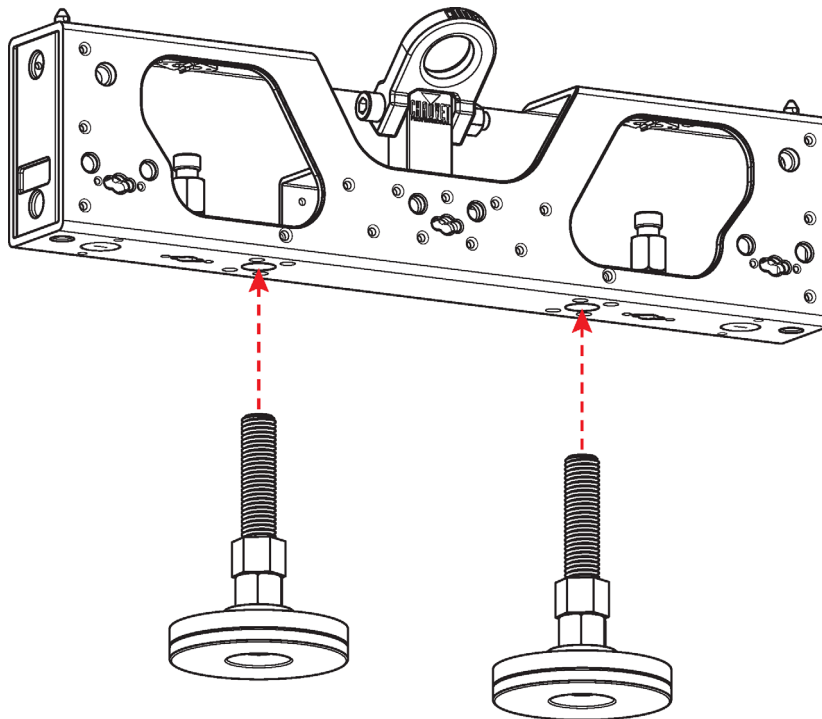
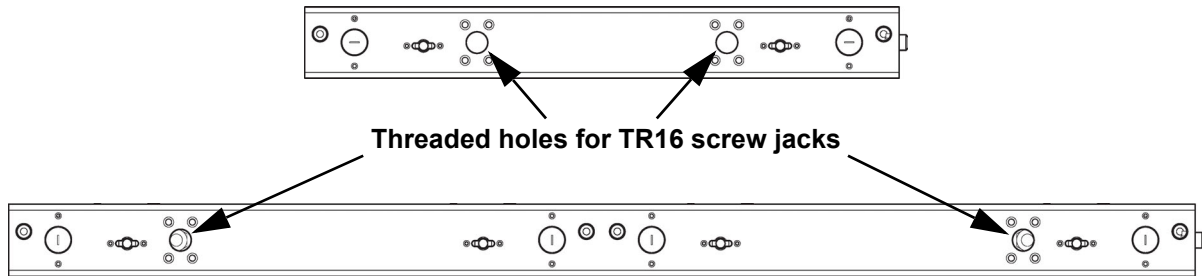
Setup Procedure (F-Series)



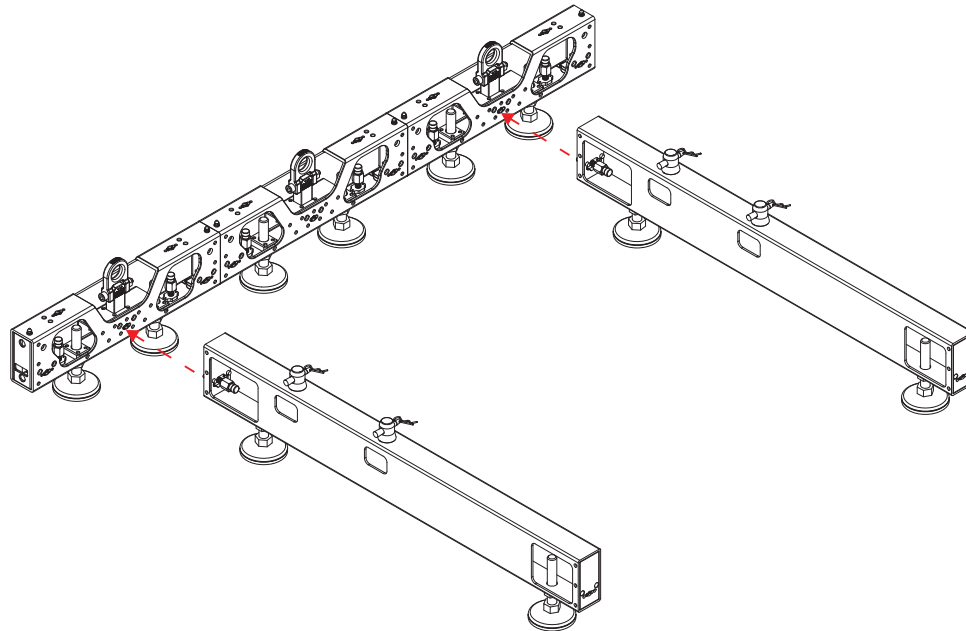
Before beginning the setup, read all instructions in this chapter and in the [Mounting](#) chapter! Plan correctly for the type of setup to be created!

Rig Bar and Floor Base Attachment

1. Insert TR16 screw jacks into their corresponding threaded holes on the bottom of the dual-function rig bar (DRB-F50CM, DRB-F100CM, DRB-F50CM-IP or DRB-F100CM-IP; not included with the Ground Stack Kit).



2. Align the male speego connector of the floor base with the female speego connector of the rig bar.
 - Use the female speego connectors under the hoist rings for video panel assemblies with center mounting positions.
 - **Warning! Ensure this attachment point is fully seated and tightened! Improperly seated and tightened attachments WILL cause safety hazards!**
 - Use a socket wrench to rotate the latch nut 1/4-turn past hand-tight to ensure it is properly seated.



3. Turn the tightening nuts on the screw jacks with a 1-inch wrench (or adjustable wrench) to raise or lower the rig bar and floor base until they are both completely level with each other. Verify that they are level with the bubble level tool.

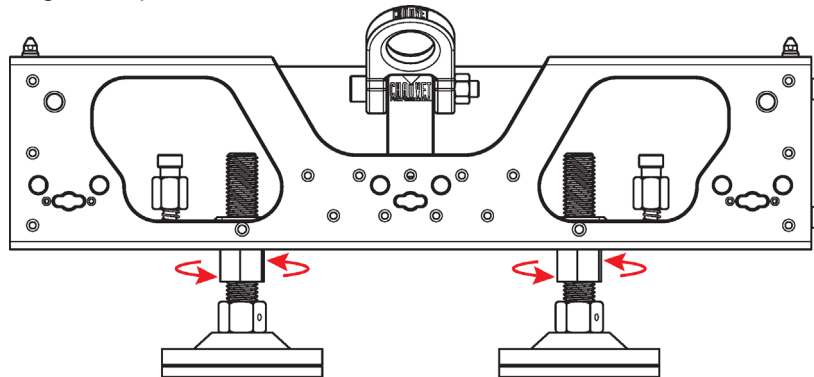


For uneven surfaces such as stage decks the TR16 screw jacks may need to be set to different heights in order to ensure the rig bars and floor bases are level.



Warning! If the rig bars and floor bases are not completely level, the Ground Stack Kit may be unstable, lean forward or backwards, or collapse. This may cause severe damage to equipment, products, flooring, or people!

4. Turn the screw jack locking nuts with a 1-inch wrench (or adjustable wrench) until they are firmly against the rig bar to protect the internal welds.



Warning! If the locking nuts are not firmly seated against the rig bar, the internal welds of the rig bar may break under the load!

- Repeat steps 1-4 with the rest of the dual-function rig bars and floor bars.



Connect the male speego connector of the floor bars to the same female speego connector on each DRB-F100CM or DRB-F100CM-IP (or on every other DRB-F50CM or DRB-F50-CM-IP).



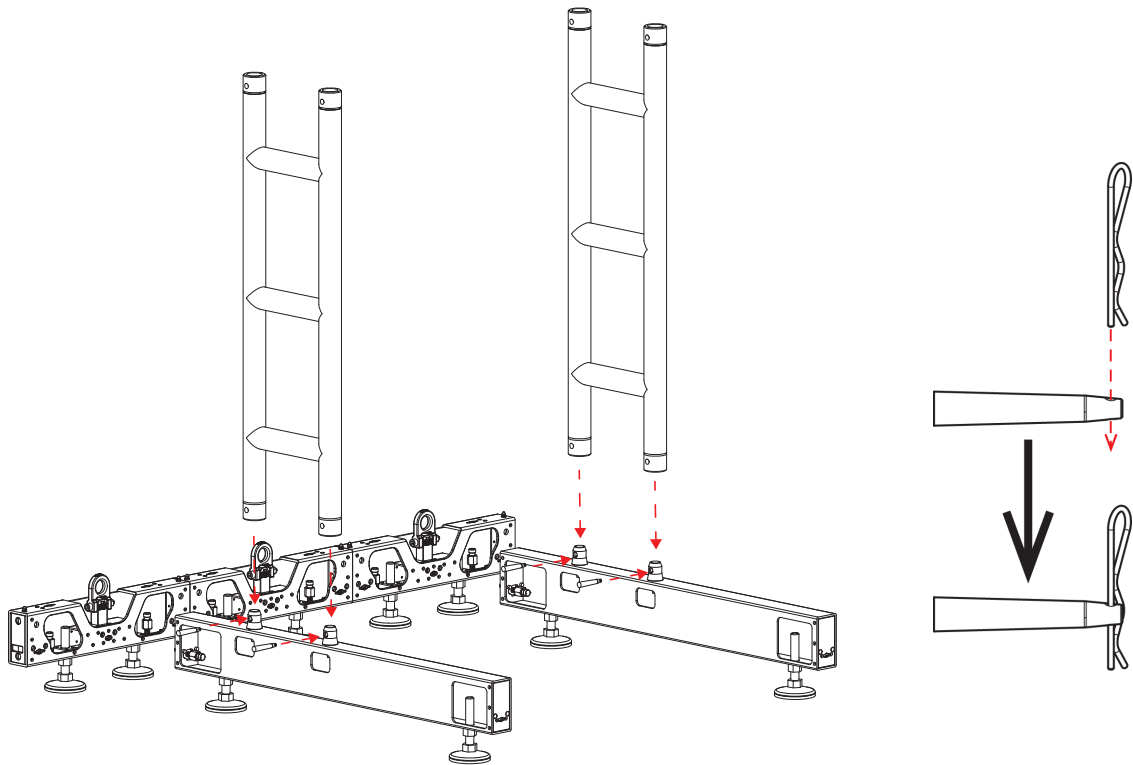
Ensure that every rig bar and floor bar is level with each other before continuing!



If creating a curved setup, the DRB-CURVEKIT must be used to connect the dual-function rig bars. See [DRB-CURVEKIT Instructions](#) for more information.

Ladder Truss Setup

- Remove the pins and safety clips from the tops of the truss double sided connectors on the floor bars.
- Place the ladder truss over the truss double sided connectors, and secure with the pins and safety clips.



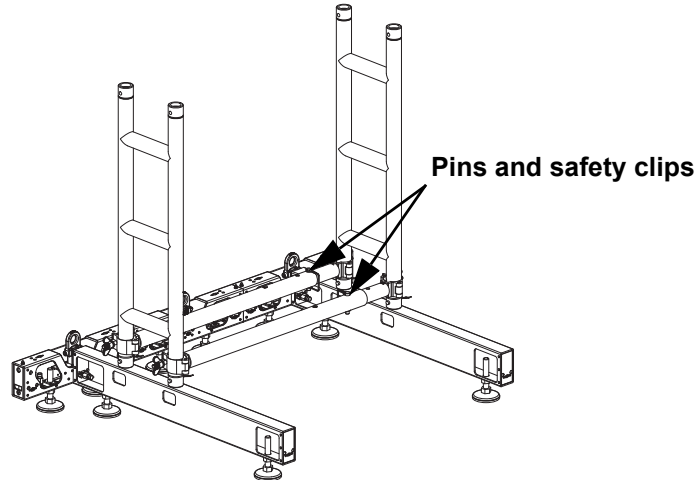
Each pin can only go through each truss double sided connector in one direction.



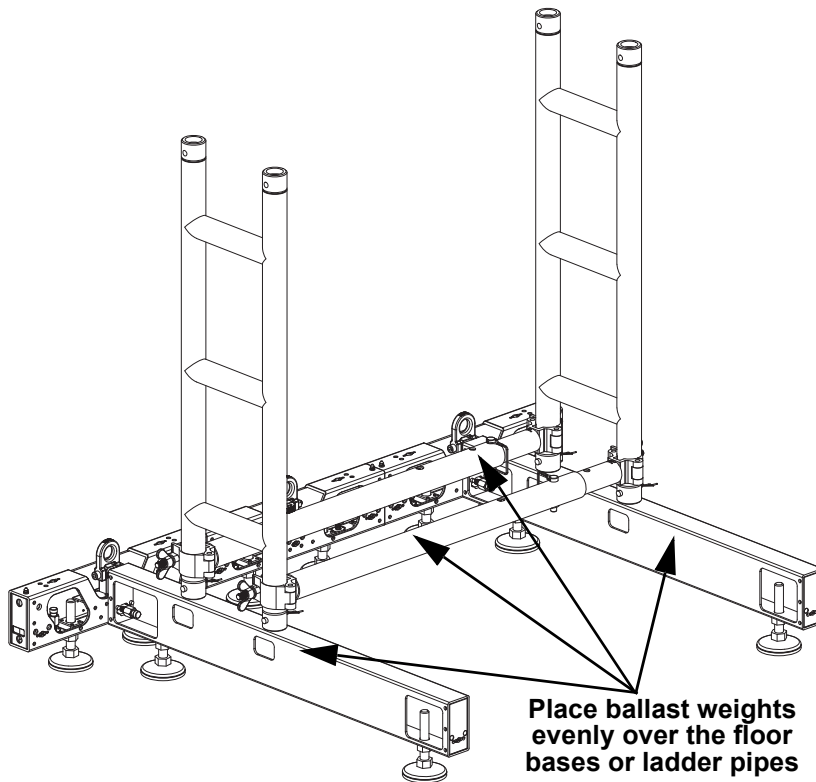
Use a rubber mallet to get the pins fully through the double sided connectors if necessary.

Ladder Pipe Attachment

1. Attach the clamp on the fixed end of the ladder pipe to the rear main post of the ladder truss.
2. Attach the clamp on the adjustable end of the ladder pipe to the rear bottom post of the paired ladder truss.
3. Verify that the ladder pipe is level with a bubble level tool, then secure with the pins and safety clips.



4. Place ballast weights (sandbags or steel weights) evenly over the floor bases or the ladder pipes.



Ballast Weight Requirements

Ballast per 1M Height Stack	Ballast per 2M Height Stack	Ballast per 3M Height Stack
150 lb (68 kg)	200 lb (90.7 kg)	275 lb (124.7 kg)

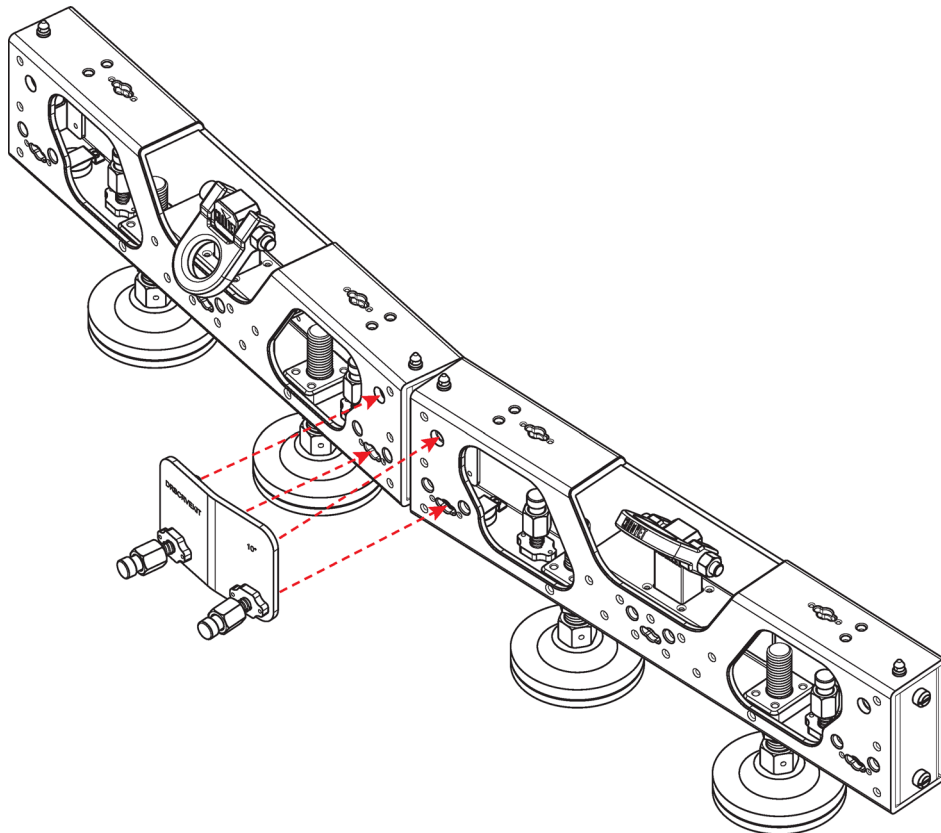
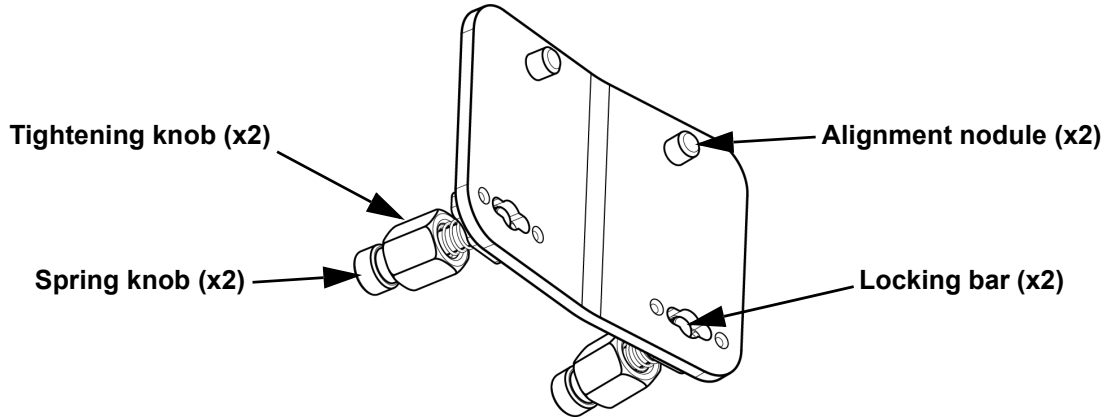


The ballast weights stated in this specification are for indoor usage only. If this kit is used outdoors, the unit must be protected from wind and additional ballast (as determined by a qualified and competent rigger) must be utilized.

DRB-CURVEKIT Instructions

To create a curved video wall with the Ground Stack Kit, The VID-CURVEKIT and DRB-CURVEKIT must both be used. To set up the Ground Stack Kit with a 5° or 10° concave curve, connect the dual function rig bars with the DRB-CURVEKIT.

1. Insert the DRB-CURVEKIT locking bars into the female Speego connections on the rig bars and insert alignment nodules into the alignment holes on the rig bars.
2. Twist the spring knobs on the DRB-CURVEKIT by 90°, until it locks into place.
3. Twist the tightening knob clockwise until the DRB-CURVEKIT is secure to the rig bars.



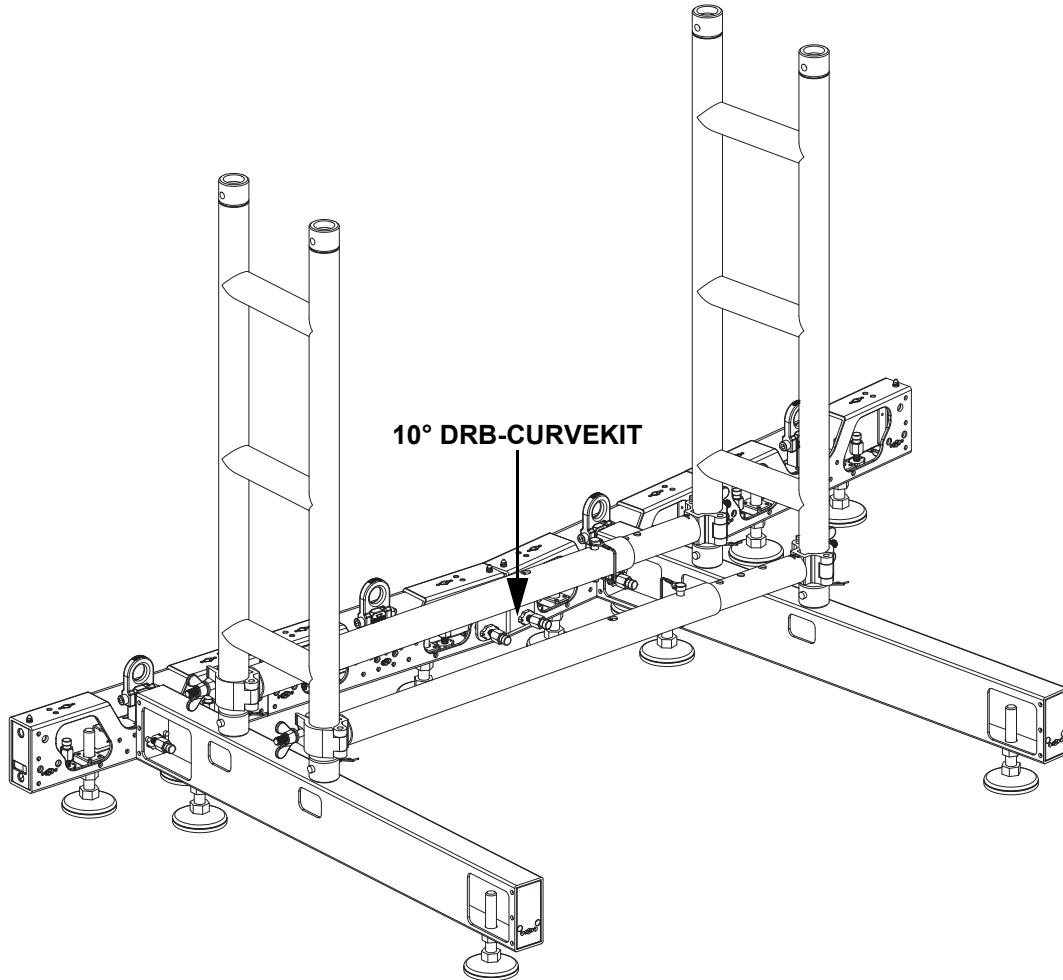
Two 5° DRB-CURVEKIT products or one 10° DRB-CURVEKIT can be used with each Ground Stack Kit.



- Download the Quick Reference Guide for the DRB-CURVEKITX2 from www.chauvetprofessional.com for more information on the product.
- See [Mounting Procedure \(VID-CURVEKIT\)](#) for information on continuing the process with the video panels.

Installing the Floor Bases with the DRB-CURVEKIT

When creating a curved setup with the DRB-CURVEKIT and VID-CURVEKIT, each pair of floor bases will be set at a wider angle to each other. To compensate, the ladder pipes will need to be adjusted to different lengths, as seen in the example illustration below.



- If using the DRB-Curve Kit, to attach the panels [see [Mounting Procedure \(VID-CURVEKIT\)](#)], the DRB-CURVEKIT should only be used at the horizontal junctions which will not use the panel attachment arms. Otherwise, the VID-CURVEKIT will not be able to be used in alignment with the DRB-CURVEKIT, and the panels will not be able to be mounted.
- It is NOT possible to use the climbing platform when curving the panels with the Ground Stack Kit. Remove the climbing platform before curving the panels.

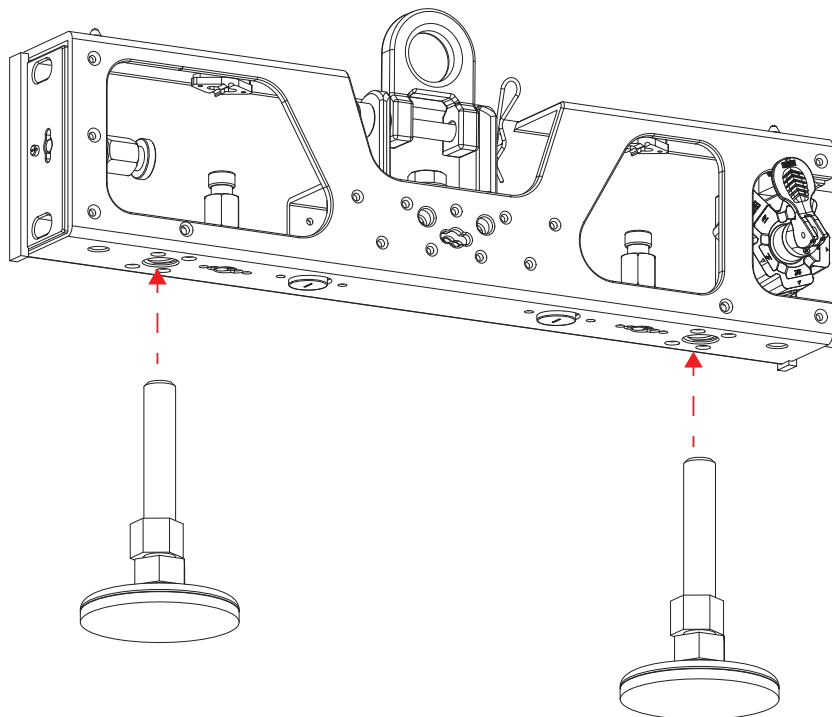
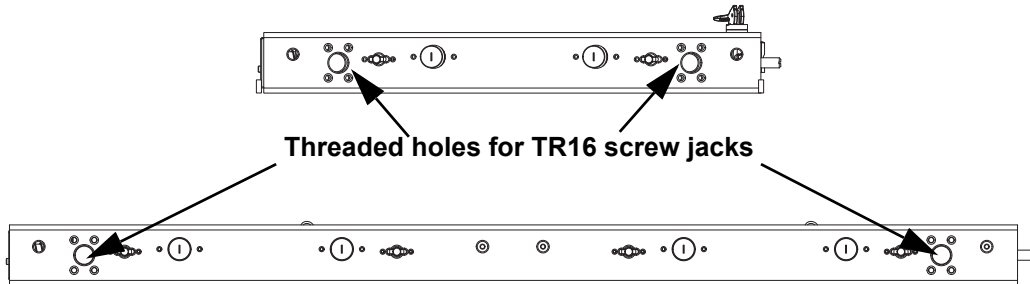
Setup Procedure (REM Series)



Before beginning the setup, read all instructions in this chapter and in the [Mounting](#) chapter! Plan correctly for the type of setup to be created!

Rig Bar and Floor Base Attachment

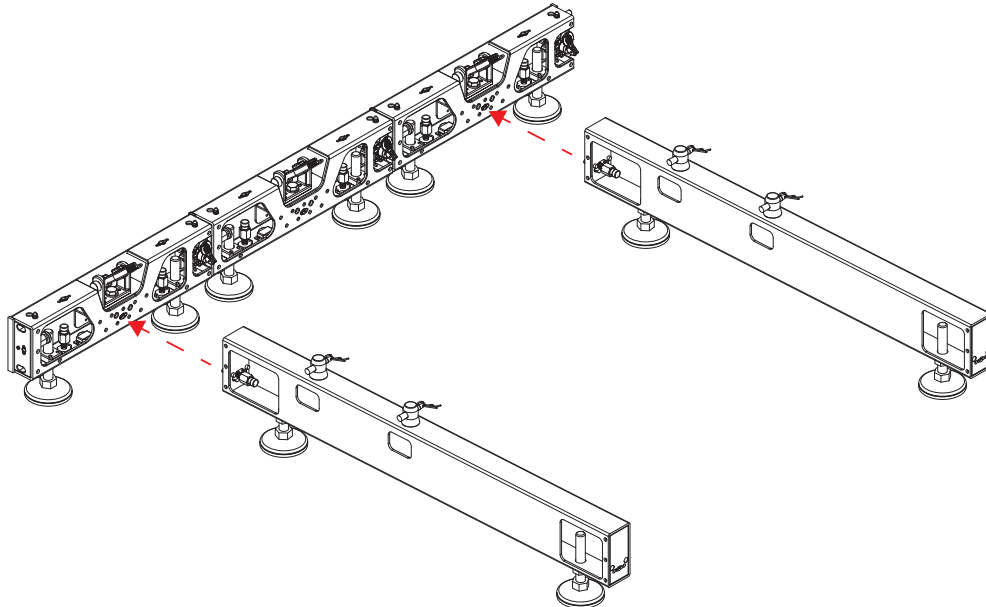
1. Insert TR16 screw jacks into their corresponding threaded holes on the bottom of the rig bar (REM-RB50CM IP CURVE or REM-RB100CM IP; not included with the Ground Stack Kit).



2. Align the male speego connector of the floor base with the female speego connector of the rig bar.
 - Use the female speego connectors under the hoist rings for video panel assemblies with center mounting positions.



Warning! Ensure this attachment point is fully seated and tightened! Improperly seated and tightened attachments WILL cause safety hazards!



When curving with REM video panels, leave the clamps on the ends of the ladder pipes loose until the floor bars are firmly fastened to the rig bars. Failure to do so will hinder proper installation.

3. Turn the tightening nuts on the screw jacks with a 1-inch wrench (or adjustable wrench) to raise or lower the rig bar and floor base until they are both completely level with each other. Verify that they are level with a bubble level tool.

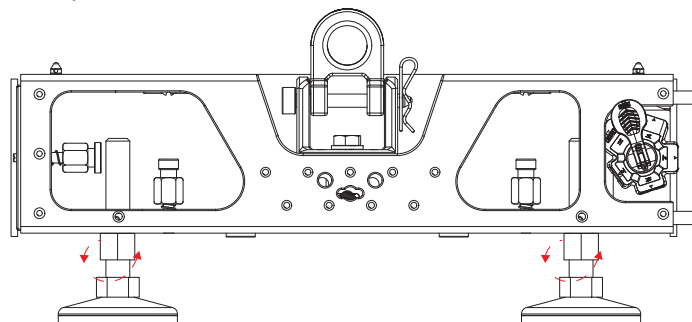


For uneven surfaces such as stage decks the TR16 screw jacks may need to be set to different heights in order to ensure the rig bars and floor bases are level.



Warning! If the rig bars and floor bases are not completely level, the Ground Stack Kit may be unstable, lean forward or backwards, or collapse. This may cause severe damage to equipment, products, flooring, or people!

4. Turn the screw jack locking nuts with a 1-inch wrench (or adjustable wrench) until they are firmly against the rig bar to protect the internal welds.



Warning! If the locking nuts are not firmly against the rig bar, the internal welds of the rig bar may break under the load!

- Repeat steps 1-4 with the rest of the dual-function rig bars and floor bars.



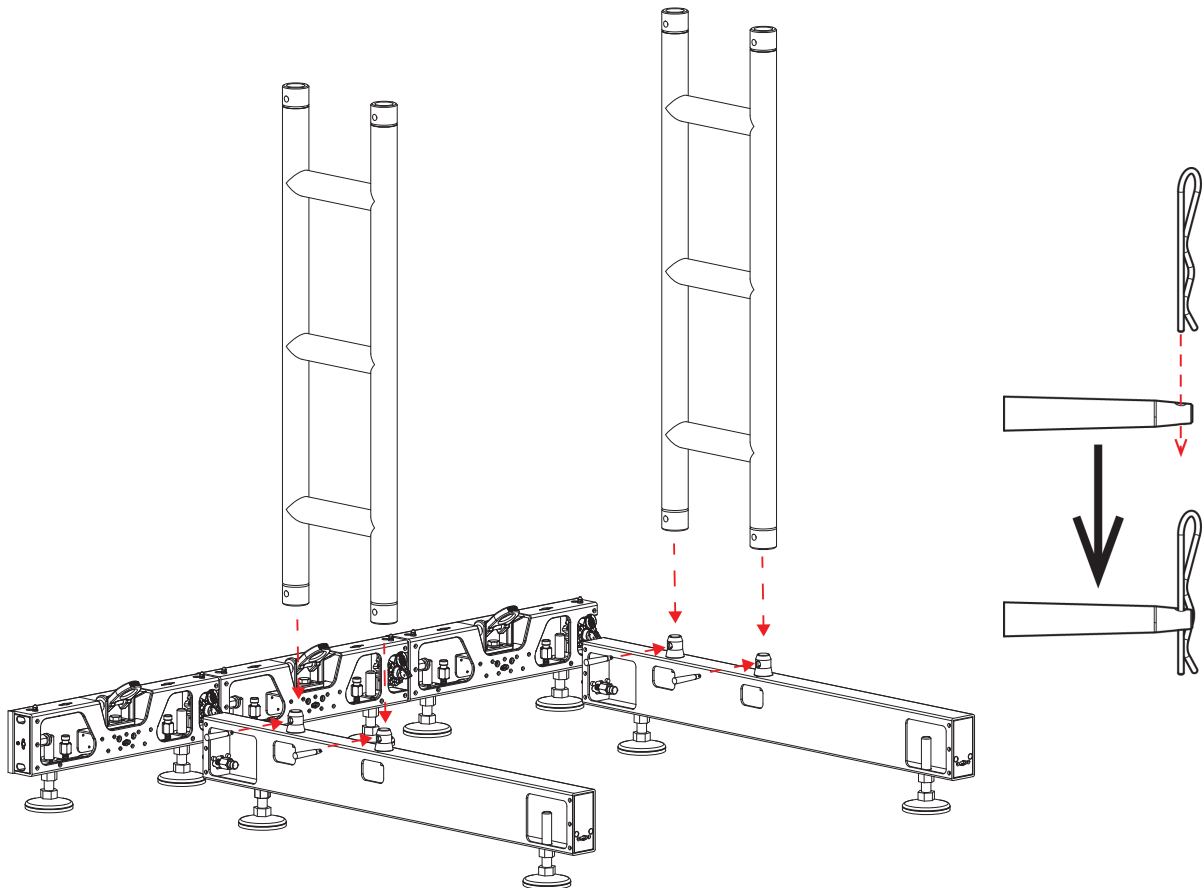
Connect the male speego connector of the floor bars to the same female speego connector on each REM-RB50CM IP CURVE or REM-RB100CM IP.



Ensure that every rig bar and floor bar is level with each other before continuing!

Ladder Truss Setup

- Remove the pins and safety clips from the tops of the truss double sided connectors on the floor bars.
- Place the ladder truss over the truss double sided connectors, and secure with the pins and safety clips.



Each pin can only go through each truss double sided connector in one direction.

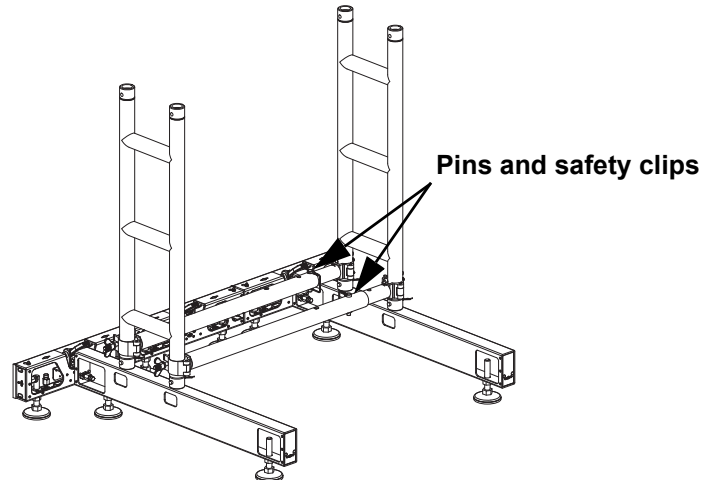


Use a rubber mallet to get the pins fully through the double sided connectors if necessary.

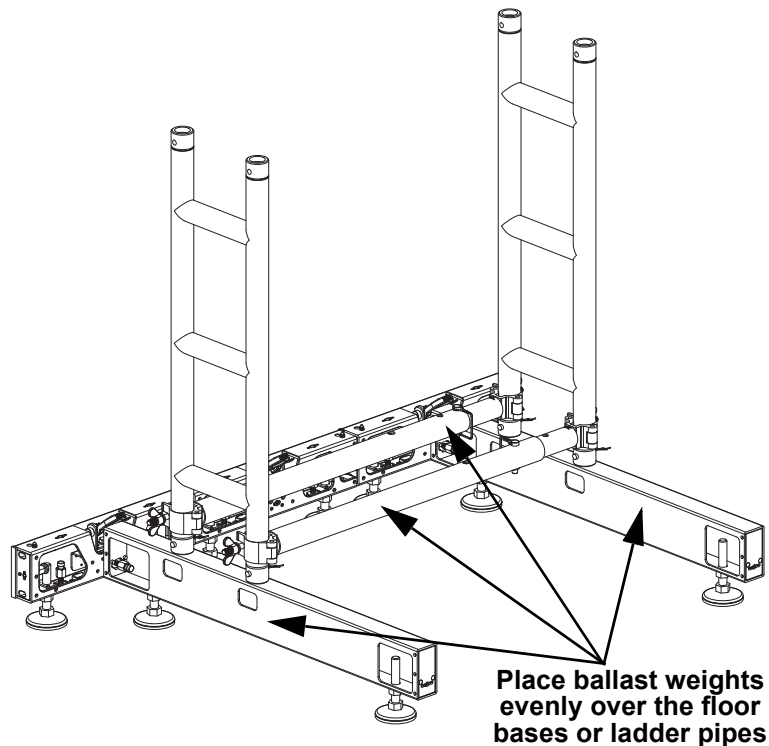
Setup

Ladder Pipe Attachment

1. Attach the clamp on the fixed end of the ladder pipe to the rear main post of the ladder truss.
2. Attach the clamp on the adjustable end of the ladder pipe to the rear bottom post of the paired ladder truss.
3. Verify that the ladder pipe is level with a bubble level tool, then secure with the pins and safety clips.



4. Place ballast weights (sandbags or steel weights) evenly over the floor bases or the ladder pipes.



Ballast Weight Requirements

Ballast per 1M Height Stack	Ballast per 2M Height Stack	Ballast per 3M Height Stack
150 lb (68 kg)	200 lb (90.7 kg)	275 lb (124.7 kg)



The ballast weights stated in this specification are for indoor usage only. If this kit is used outdoors, the unit must be protected from wind and additional ballast (as determined by a qualified and competent rigger) must be utilized.

4. Mounting

This chapter explains the methods for mounting REM video panels and F-series video panels (or Vivid panels) to the Ground Stack Kit. The specific method required depends on the video panels being mounted, and whether or not the VID-CURVEKIT and DRB-CURVEKIT are being used.

- See [REM Panel Mounting](#) for mounting REM video panels.
- See [F-Series Panel Mounting](#) for mounting F-Series video panels.
- See [Mounting Procedure \(VID-CURVEKIT\)](#) for mounting video panels with a concave curve.

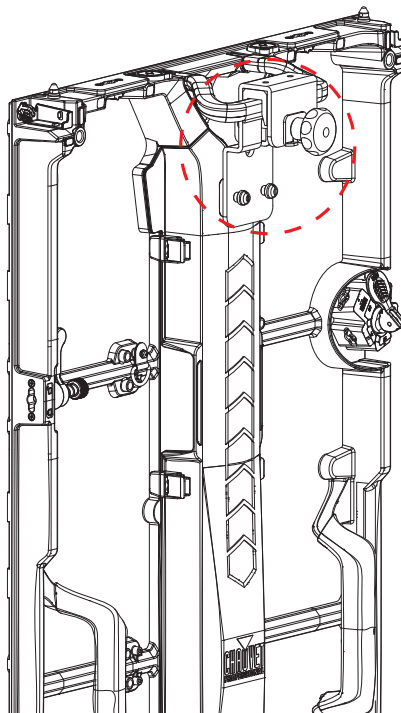
Before mounting with the product, read and follow the safety recommendations indicated in the [Safety Notes](#) for all products involved.

REM Panel Mounting

Mounting Procedure

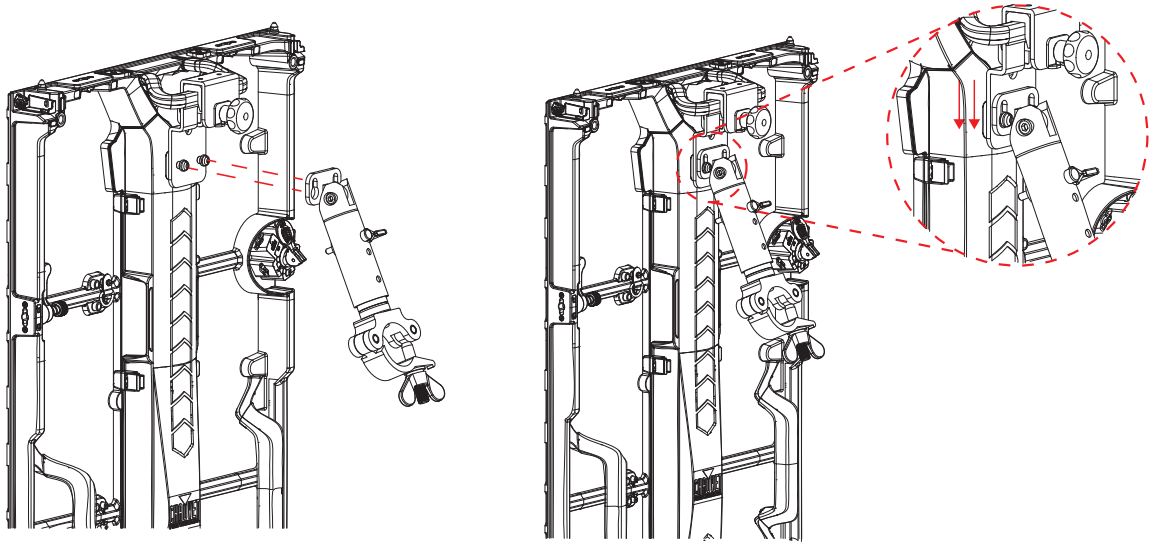
The Ground Stack Kit is compatible with REM video panels. To connect the REM panels to the Ground Stack Kit:

1. Attach the video panel to the rig bar panel by aligning the magnetic alignment conicals and locking the male speego connections.
2. Attach the panel bracket to the carry handle of the video panel.

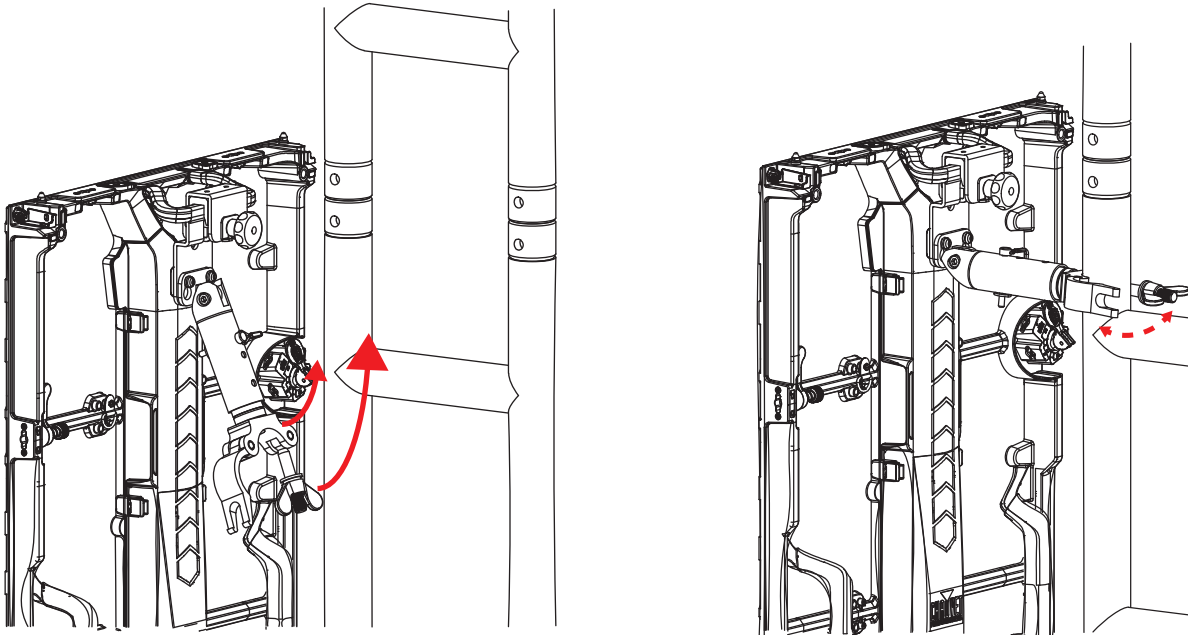


Tighten the panel bracket with bare hands. **DO NOT** use tools to tighten.

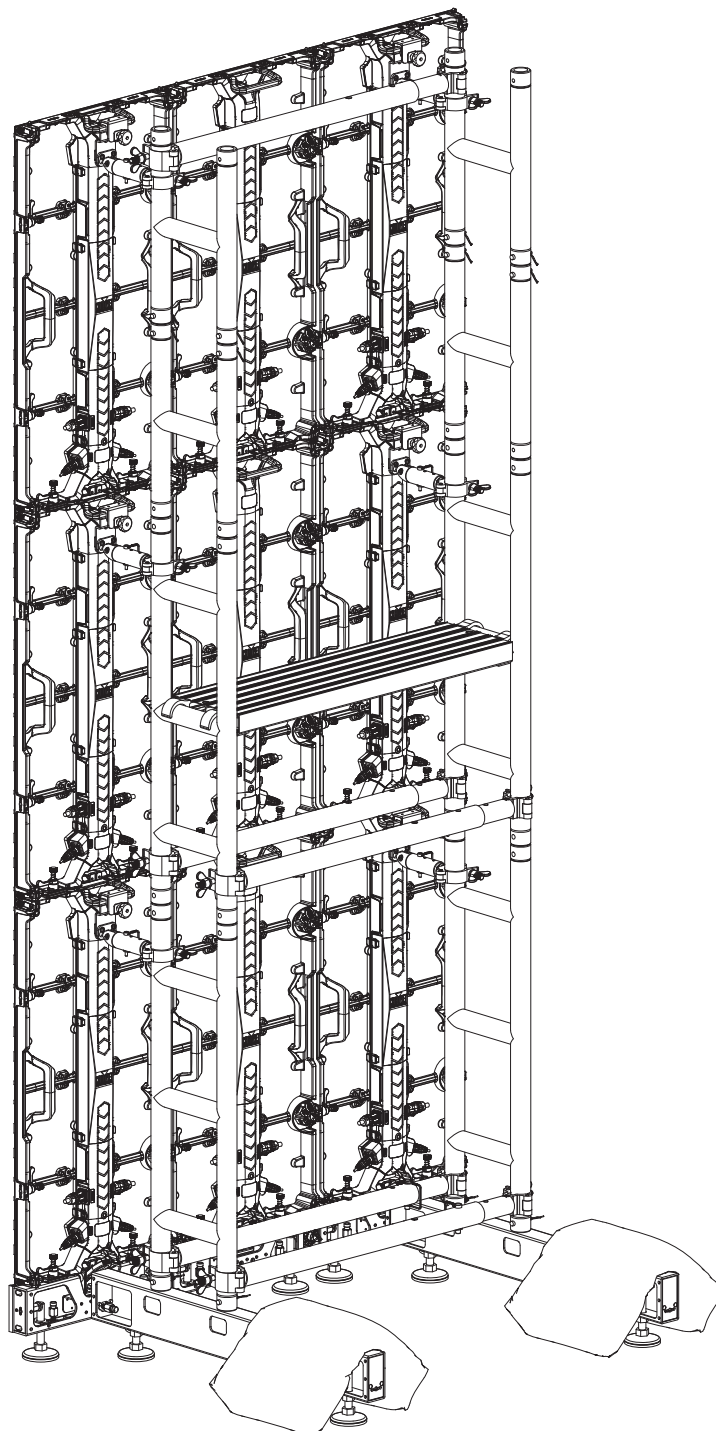
3. Place the panel attachment arm over the panel attachment screws and move down to secure.



4. Secure the clamp of the panel attachment arm to the ladder truss.



5. Continue to stack the ladder truss and video panels for the desired video wall size. Connect each panel horizontally to the panel next to it with the speego connectors. As each row of panels is added on the Ground Stack Kit, continue to ensure the entire system remains level!



Supports walls between 4.92 ft (1.5 m) and 6.56 ft (2 m) wide, and as high as 9.85 ft (3 m) tall. Combine additional Ground Stack Kits to achieve wider walls.



Warning! If the rig bars and floor bases are not completely level, the Ground Stack Kit may be unstable, lean forward or backwards, or collapse. This may cause severe damage to equipment, products, flooring, or people!

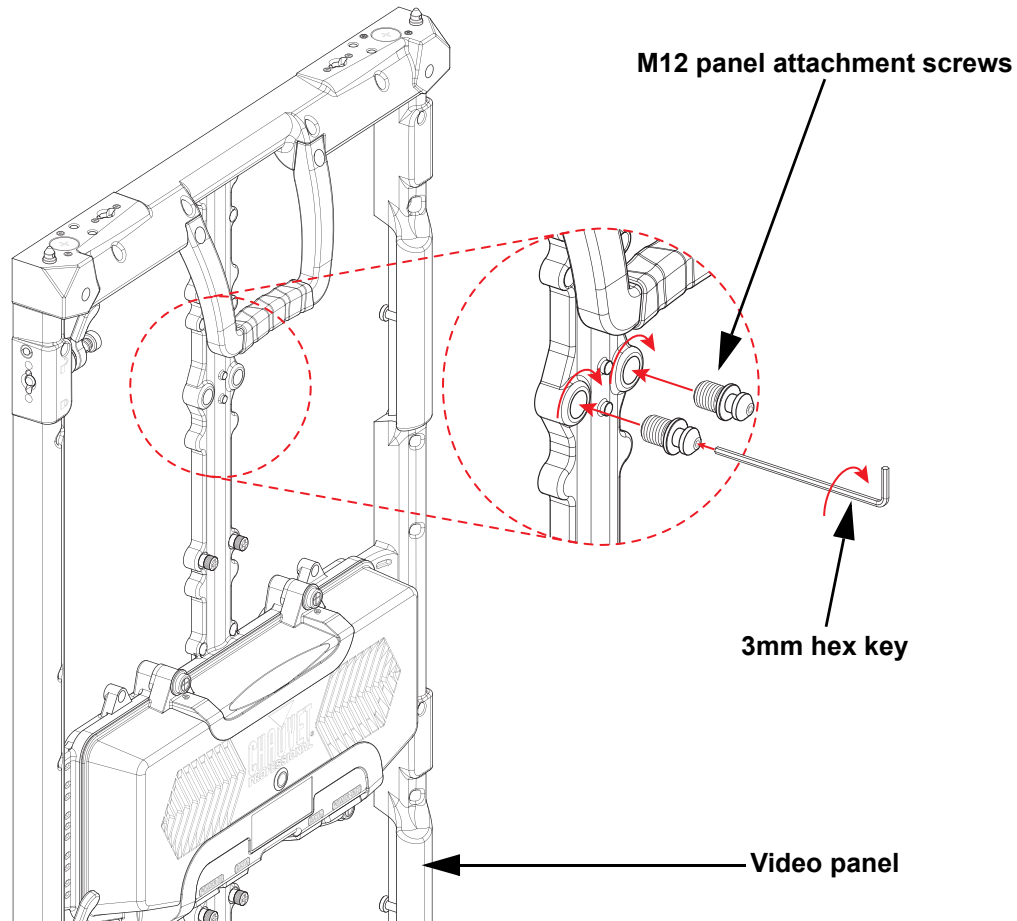
Mounting

F-Series Panel Mounting

Mounting Procedure

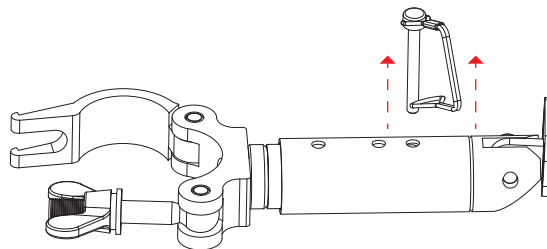
If the F-series video panels being used have threaded mounting holes in the center position, it is recommended to use them instead of the threaded mounting holes in the corner positions.

1. Attach the F-series video panel to the rig bar panel by aligning the magnetic alignment conicals and locking the male speego connections.
2. Insert the M12 panel attachment screws into the center-position M12 threaded mounting holes and secure with a 3 mm hex key.

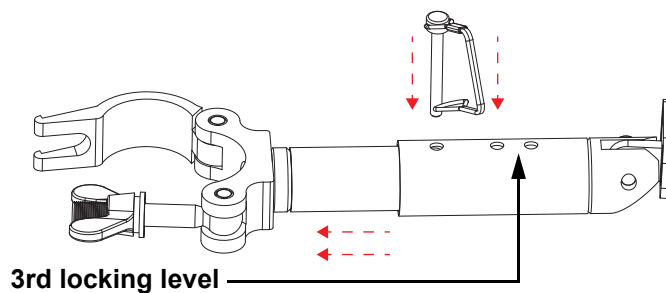


The F2 and F5IP video panels have frames with a center mounting position. The F3 video panel will need the panel attachment screw inserted at the corner of the frame. Both the F4IP and Vivid 4 have been upgraded with center mounting position frames, and may vary depending on order date.

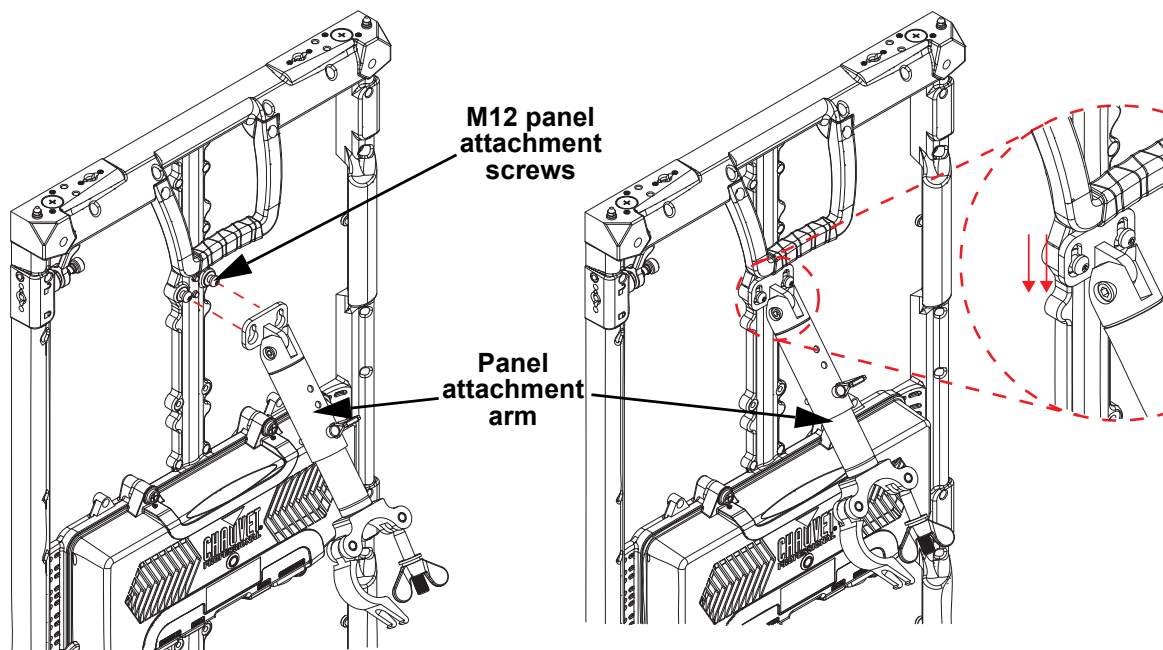
3. Set the panel attachment arm to the 3rd locking level.
 - a. Remove the safety pin from the panel attachment arm.



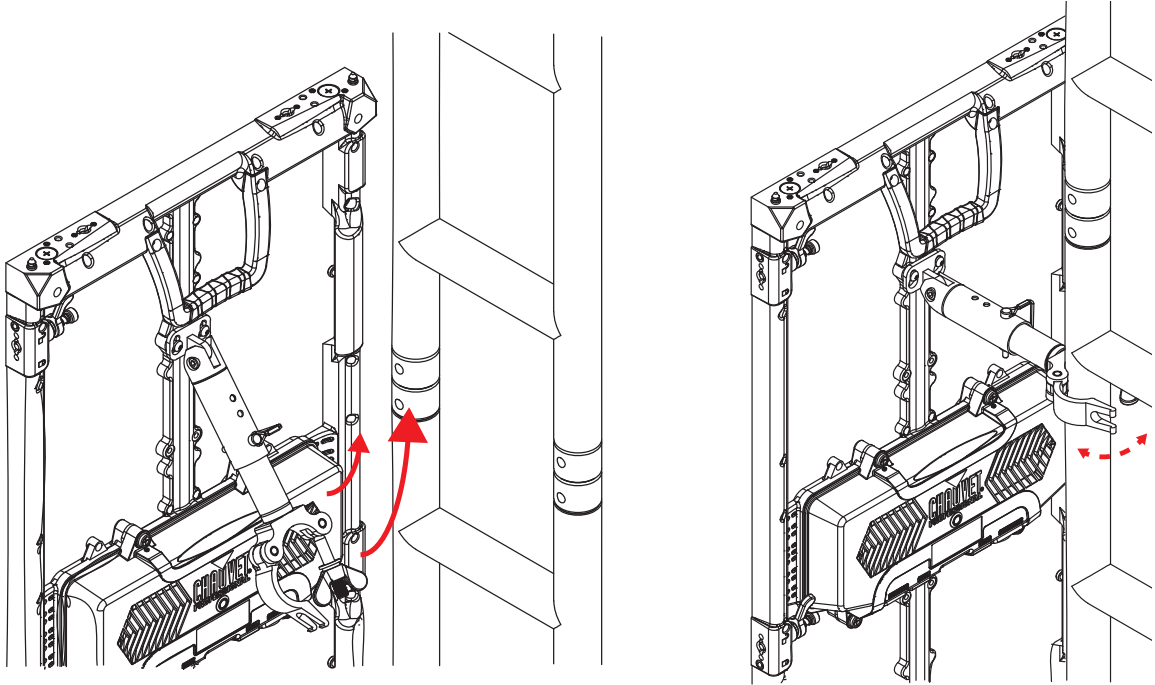
- b. Adjust the panel attachment arm to the 3rd locking level and insert/lock the safety pin.



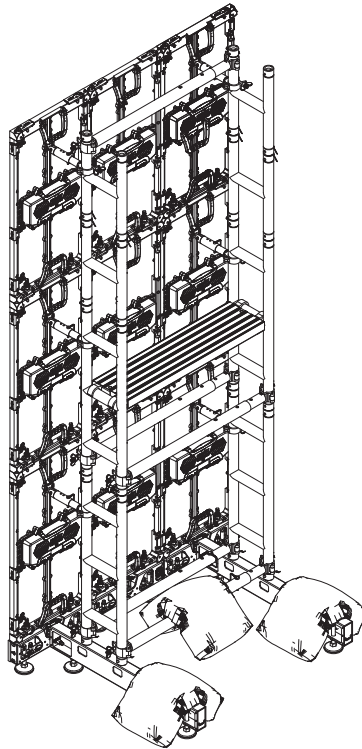
4. Place the panel attachment arm over the panel attachment screws and move down to secure.



5. Secure the clamp of the panel attachment arm to the ladder truss.



6. Continue to stack the ladder truss and video panels for the desired video wall size. Connect each panel horizontally to the panel next to it with the speego connectors. As each row of panels is added on the Ground Stack Kit, continue to ensure the entire system remains level!



Supports walls between 4.92 ft (1.5 m) and 6.56 ft (2 m) wide, and as high as 9.85 ft (3 m) tall. Combine additional Ground Stack Kits to achieve wider walls.



Warning! If the rig bars and floor bases are not completely level, the Ground Stack Kit may be unstable, lean forward or backwards, or collapse. This may cause severe damage to equipment, products, flooring, or people!

Mounting Procedure (VID-CURVEKIT)

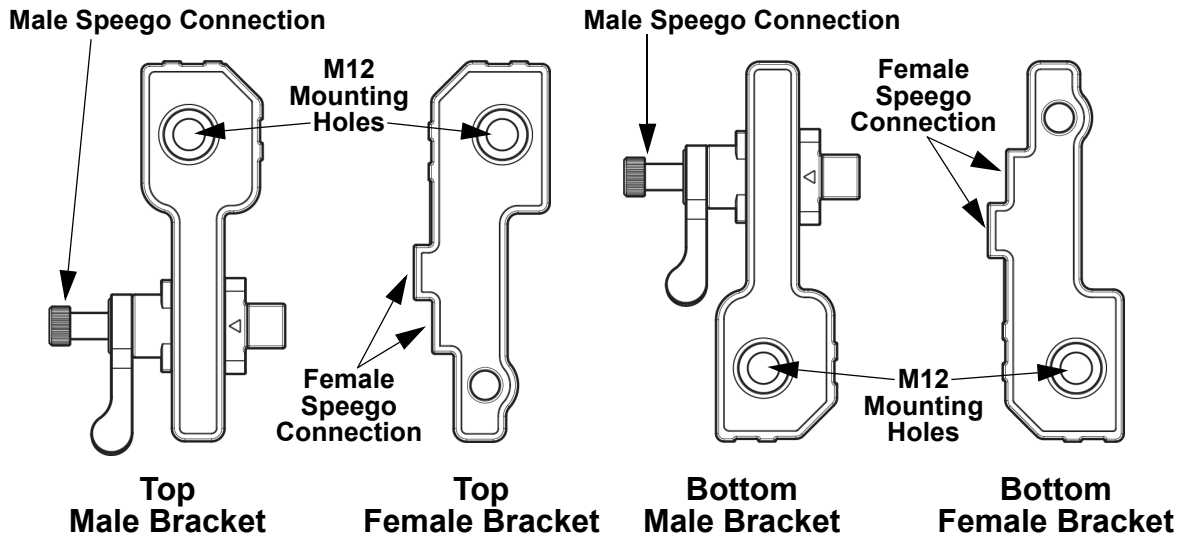
If the Ground Stack Kit was set up with the DRB-CURVEKIT (see [DRB-CURVEKIT Instructions](#)), then the F-series video panels will need to be connected horizontally with the VID-CURVEKIT at every corresponding point. Download the Quick Reference Guide from www.chauvetprofessional.com for more information on the VID-CURVEKIT.

- See [F-Series Panel Mounting](#) for mounting F-Series video panels with center-position threaded mounting holes.

VID-CURVEKIT Description

The VID-CURVEKIT curves one F-series video panel at a 5° or 10° concave angle.

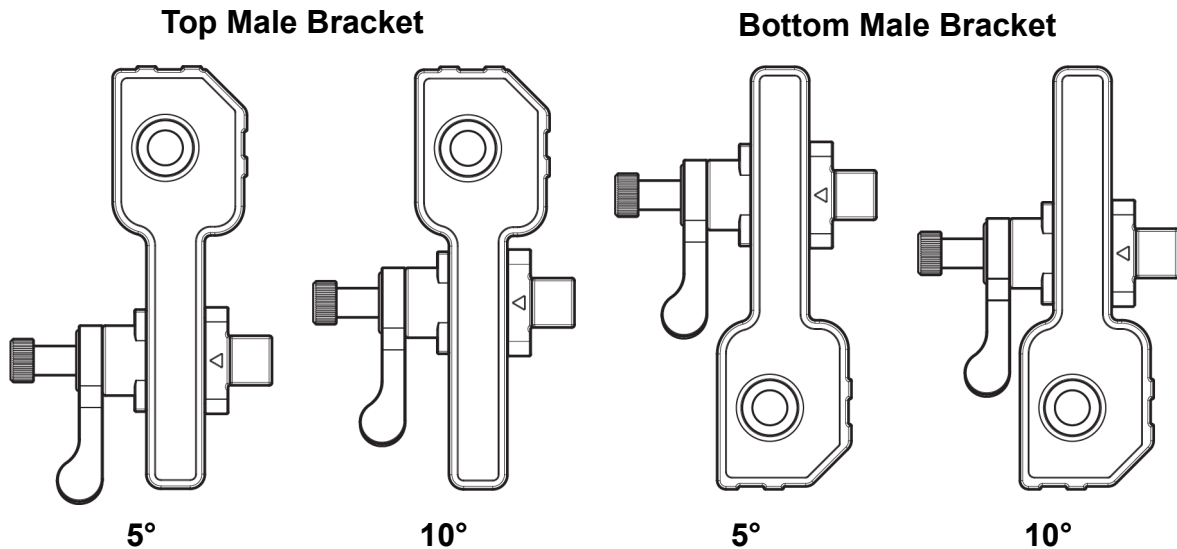
VID-CURVEKIT Overview



Selecting the Angle

The angle of curvature provided by the VID-CURVEKIT can be set to 5° or 10°. To select which angle to use, slide the male speego connections up or down to the desired slots on the male brackets.

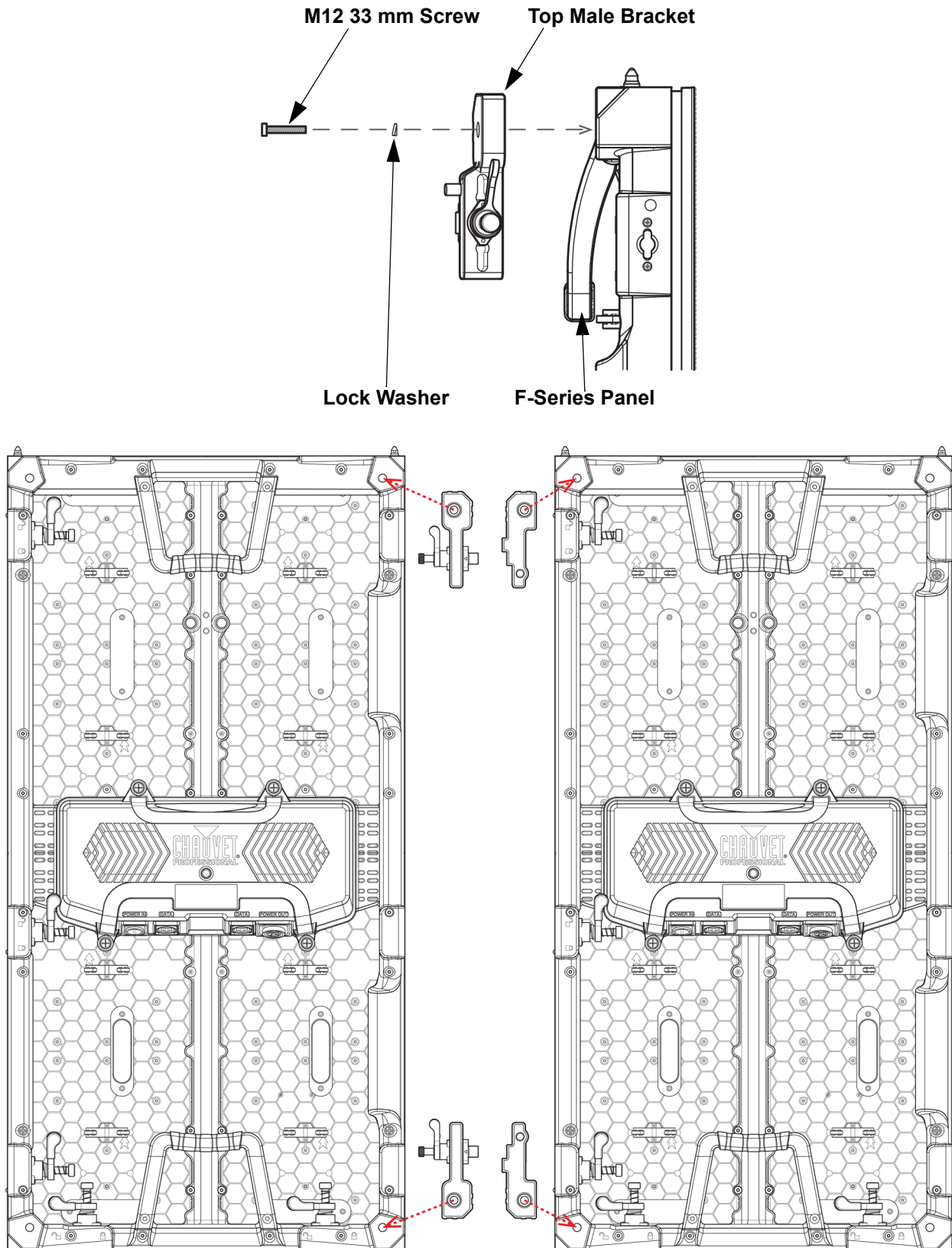
Angle Selection Diagram



Mounting

Installing on F-Series Panels

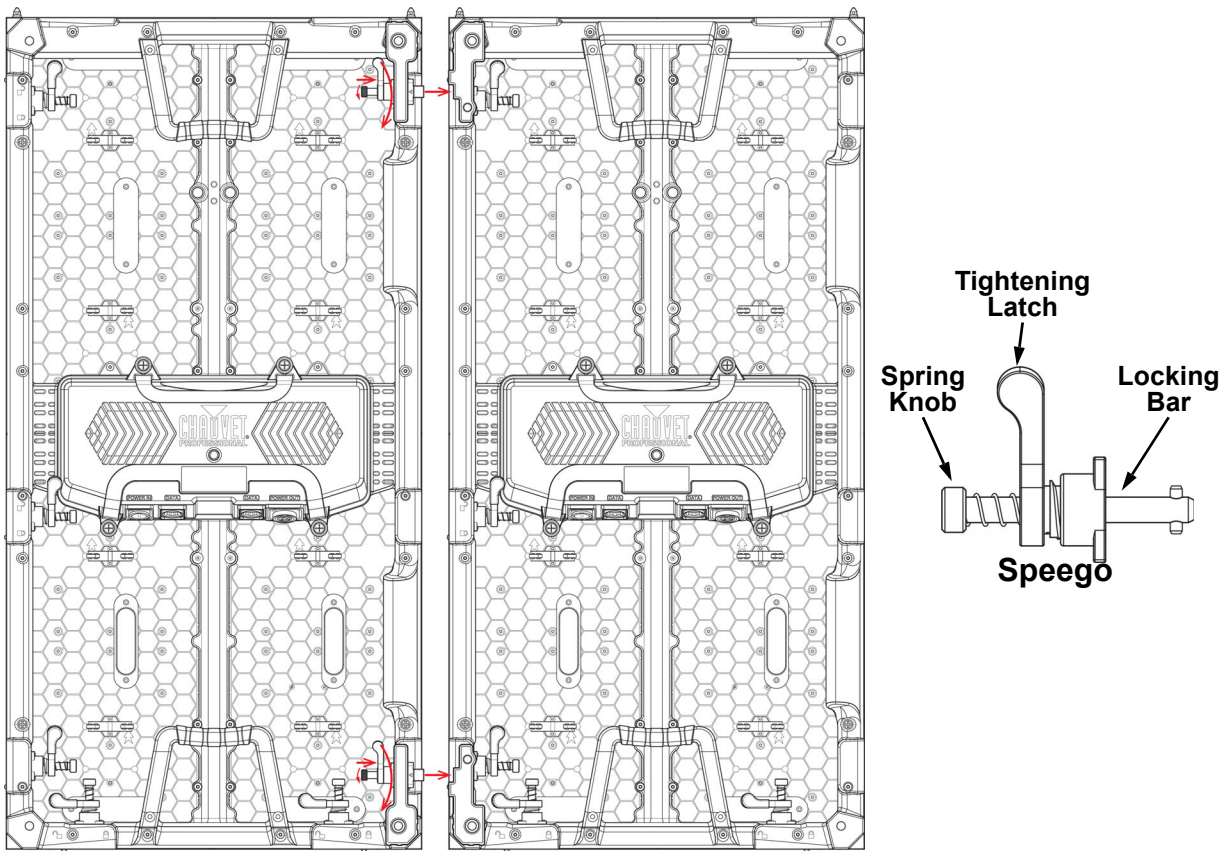
To install the VID-CURVEKIT on an F-Series video panel, screw the M12 33 mm screws through the lock washers, through the brackets, and into the M12 mounting points on the panel as indicated below.



VID-CURVEKIT Mounting

Before mounting with this product, read the [Safety Notes](#), as well as those for the attached products.

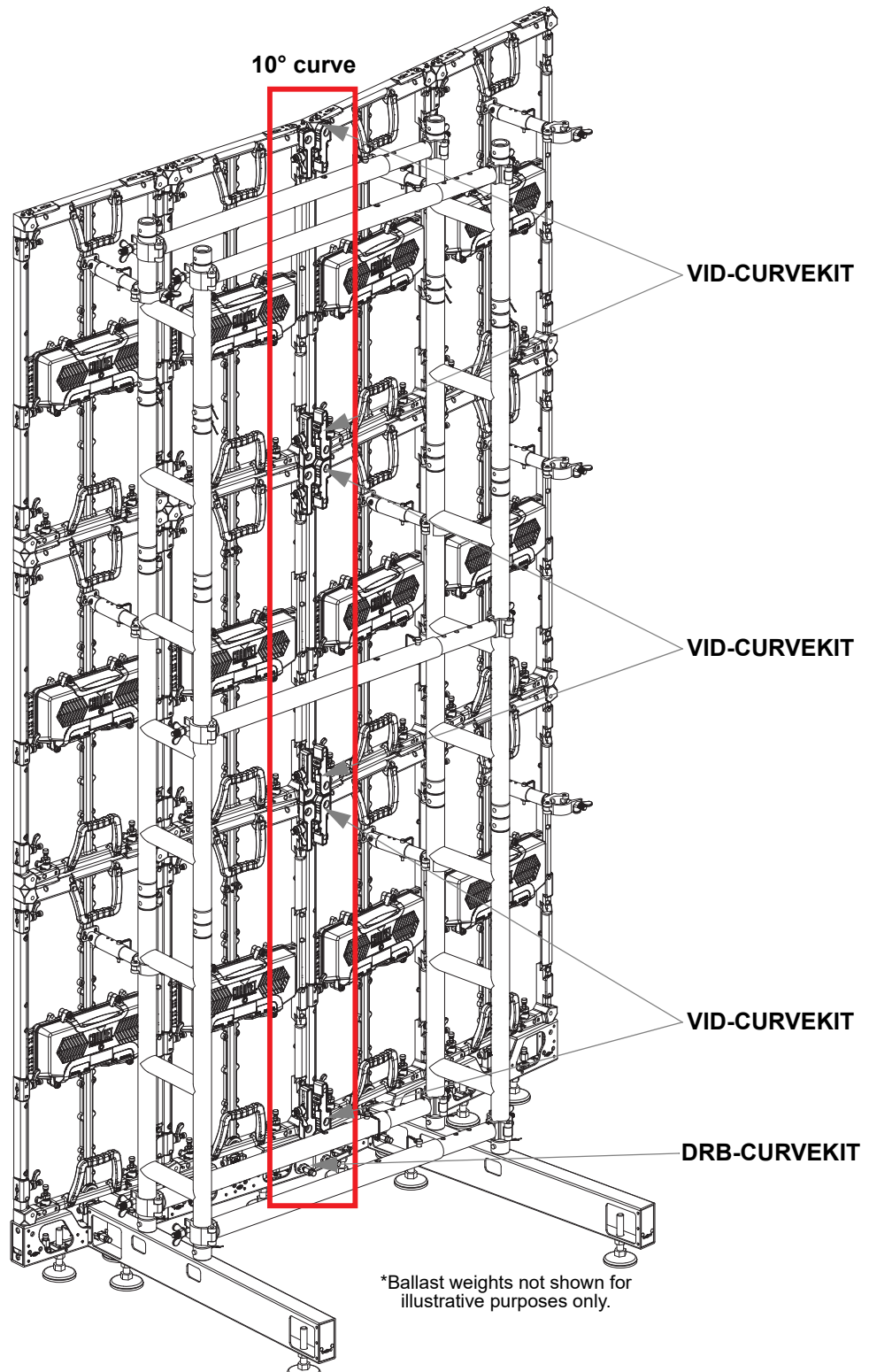
VID-CURVEKIT Mounting Diagram



VID-CURVEKIT Mounting Procedure

1. Install the VID-CURVEKIT on the panel as shown in [Installing on F-Series Panels](#).
2. Insert the male bracket Speego locking bars into the female bracket Speego connections.
3. Twist the spring knob on the Speego by 90° until it locks into place.
4. Twist the tightening latch clockwise until the male bracket is secure to the female bracket.
5. To detach the VID-CURVEKIT brackets and separate the F-Series panels, reverse the previous steps.

Curved Setup Example



A single 10° curve or a pair of 5° curves can be used within each Ground Stack Kit.



*Ballast weights not shown for illustrative purposes only. The ballast weights **MUST** always be in position before installing any panels, or any Ground Stack Kit setup taller than 1 meter.

5. Maintenance

Lubrication

Add lubricant to the metal parts regularly to ensure optimum performance and prevent rust and corrosion. Take special care that no excess lubricant drips or leaks onto the attached video panels.

- Apply lubricant with a brush and wipe the excess clean.
- If corrosion has built up, clean with a dry wire brush, then lubricate to prevent additional corrosion.
- If more than 1 mm of a surface is lost to corrosion, that part should be taken out of use until replaced or repaired by a qualified and competent individual.
- The following parts should be kept lubricated:
 - Nuts
 - Screw jacks

Inspecting for Faults

Each part of the Ground Stack Kit should be regularly inspected for faults such as warping or cracking. A qualified and competent person should inspect the product for faults before each use to ensure it performs as intended.



A flat edge such as a precision level can be used to check flat surfaces for warping.



If a fault occurs in any part, that part should be taken out of use until replaced or repaired by a qualified and competent individual.

6. Technical Specifications

Dimensions and Weight

Length	Width	Height
50.4 in (128 cm)	21.1 in (53.5 cm)	39.3 in (99.9 cm)
Weight (total with case)	Weight (product without case)	Weight (case only)
332 lb (150.6 kg)	175 lb (79.4 kg)	157 lb (71 kg)
Ballast per 1M Height Stack	Ballast per 2M Height Stack	Ballast per 3M Height Stack
150 lb (68 kg)	200 lb (90.7 kg)	275 lb (124.7 kg)



The ballast weights stated in this specification are for indoor usage only. If this kit is used outdoors, the unit must be protected from wind and additional ballast (as determined by a qualified and competent rigger) must be utilized.

Maximum Vertical Stack	Maximum Width	Maximum Weight (person)
9.85 ft (3 m)	6.6 ft (2 m)	250 lb (113.4 kg)

Maximum Person Weight

250 lb (113.4 kg)

Note: Dimensions in inches are rounded.

Ordering

Product Name	Item Name	Item Code	UPC Number
Ground Stack Kit	GROUNDSTACKKIT	23102243	781462225919



Ground Stack Kit hardware tested at an independent TUV lab. Force/Pull reports available upon request.



Contact Us

General Information	Technical Support
Chauvet World Headquarters	
Address: 3360 Davie Rd., Suite 509 Davie, FL 33314 Voice: (954) 577-4455 Fax: (954) 929-5560 Toll Free: (800) 762-1084	Voice: (844) 393-7575 Fax: (954) 756-8015 Email: chauvetcs@chauvetlighting.com Website: www.chauvetprofessional.com
Chauvet U.K.	
Address: Pod 1 EVO Park Little Oak Drive, Sherwood Park Nottinghamshire, NG15 0EB UK Voice: +44 (0) 1773 511115 Fax: +44 (0) 1773 511110	Email: UKtech@chauvetlighting.eu Website: www.chauvetprofessional.eu
Chauvet Benelux	
Address: Stokstraat 18 9770 Kruishoutem Belgium Voice: +32 9 388 93 97	Email: BNLtech@chauvetlighting.eu Website: www.chauvetprofessional.eu
Chauvet France	
Address: 3, Rue Ampère 91380 Chilly-Mazarin France Voice: +33 1 78 85 33 59	Email: FRtech@chauvetlighting.fr Website: www.chauvetprofessional.eu
Chauvet Germany	
Address: Bruno-Bürgerl-Str. 11 28759 Bremen Germany Voice: +49 421 62 60 20	Email: DEtech@chauvetlighting.de Website: www.chauvetprofessional.eu
Chauvet Mexico	
Address: Av. de las Partidas 34 - 3B (Entrance by Calle 2) Zona Industrial Lerma Lerma, Edo. de México, CP 52000 Voice: +52 (728) 690-2010	Email: servicio@chauvet.com.mx Website: www.chauvetprofessional.mx

Warranty & Returns

For warranty terms and conditions and return information, please visit our website.

For customers in the United States and Mexico: www.chauvetlighting.com/warranty-registration.

For customers in the United Kingdom, Republic of Ireland, Belgium, the Netherlands, Luxembourg, France, and Germany: www.chauvetlighting.eu/warranty-registration