

MAVERICK STORM 2 PROFILE M

User Manual



Model ID: MAVERICKSTORM2PROFILEM

CHAUVET
PROFESSIONAL

Edition Notes

The Maverick Storm 2 Profile M User Manual includes a description, safety precautions, installation, programming, operation and maintenance instructions for the Maverick Storm 2 Profile M as of the release date of this edition.

Trademarks

Chauvet, Chauvet Professional, the Chauvet logo, Maverick, and Maverick Storm are registered trademarks or trademarks of Chauvet & Sons, LLC (d/b/a Chauvet and Chauvet Lighting) in the United States and other countries. Other company and product names and logos referred to herein may be trademarks of their respective companies.

Copyright Notice

The works of authorship contained in this manual, including, but not limited to, all designs, text, and images are owned by Chauvet.

© Copyright 2024 Chauvet & Sons, LLC. All rights reserved.

Electronically published by Chauvet in the United States of America.

Manual Use

Chauvet authorizes its customers to download and print this manual for professional information purposes only. Chauvet expressly prohibits the usage, copy, storage, distribution, modification, or printing of this manual or its content for any other purpose without written consent from Chauvet.

Document Printing

For best results, print this document in color, on letter size paper (8.5 x 11 in), double-sided. If using A4 paper (210 x 297 mm), configure the printer to scale the content accordingly.

Intended Audience

Any person installing, operating, and/or maintaining this product should completely read through the guide that shipped with the product, as well as this manual, before installing, operating, or maintaining this product.

Disclaimer

Chauvet believes that the information contained in this manual is accurate in all respects. However, Chauvet assumes no responsibility and specifically disclaims any and all liability to any party for any loss, damage or disruption caused by any errors or omissions in this document, whether such errors or omissions result from negligence, accident or any other cause. Chauvet reserves the right to revise the content of this document without any obligation to notify any person or company of such revision, however, Chauvet has no obligation to make, and does not commit to make, any such revisions.

Document Revision

Go to www.chauvetprofessional.com for the latest version.

Revision	Date	Description
2	08/2024	Updated Features and Technical Specifications section, and Control channel

TABLE OF CONTENTS

1. Before You Begin 1

 What Is Included 1

 Claims 1

 Text Conventions 1

 Symbols 1

 Safety Notes..... 2

 FCC Statement of Compliance 3

 RF Exposure Warning for North America, and Australia..... 3

 Expected LED Lifespan..... 3

2. Introduction 4

 Description 4

 Features 4

 Product Overview 4

 Product Dimensions 5

3. Setup 6

 AC Power 6

 AC Plug 6

 Fuse Replacement 6

 USB Software Update 6

 Mounting 7

 Orientation..... 7

 Rigging 7

 Procedure..... 7

 Signal Connections 8

 Control Personalities 8

 DMX Linking..... 8

 Remote Device Management..... 8

 Art-Net™ Connection 8

 sACN Connection..... 8

 Connection Diagram 8

4. Operation 9

 Control Panel Description 9

 Battery Powered Display..... 9

 Home Screen 9

 Control Panel Lock..... 9

 Passcode 9

 Technician Mode..... 9

 Menu Map 10

 Control Configuration 14

 Control Mode..... 14

 Control Personalities 14

 Starting Address..... 14

 Network Setup..... 14

 IP Mode..... 14

 Universe 14

 Manual IP Address..... 14

 Subnet Mask 14

Control Channel Assignments and Values.....	15
Gobo Wheels	19
Gobo Dimensions for Gobo Wheel 1	19
Gobo Replacement	20
Procedure	20
Gobo Replacement Diagrams.....	20
Settings Configuration.....	21
Pan Reverse	21
Tilt Reverse	21
Screen Reverse	21
Pan Angle.....	21
Tilt Angle	21
Black out on Movement.....	21
Swap Pan and Tilt.....	21
WDMX Reset	21
Display Backlight Timer.....	21
Fan Mode	22
Dimmer Curve	22
Pulse Width Modulation	22
LED Power	22
Minimum Zoom Focus.....	22
Preset Selection	22
Preset Synchronization	22
USB Update	23
Reset Function	23
Factory Reset.....	23
Test Mode	23
Auto Test.....	23
Manual Test	23
System Information	23
Zero Adjust Mode	24
Web Server	24
5. Maintenance.....	25
Product Maintenance	25
Gobo Maintenance.....	25
Torque Measurements	26
Vacuum Test Measurements	26
Transporting on Truss or Racks.....	26
6. Technical Specifications	27
Contact Us	28
Warranty & Returns.....	28

Before You Begin

1. Before You Begin

What Is Included

- Maverick Storm 2 Profile M
- Omega brackets with mounting hardware (2 Allen keybolts)
- 1 Display cover plate
- Quick Reference Guide

Claims

Carefully unpack the product immediately and check the container to make sure all the parts are in the package and are in good condition.




If the box or the contents (the product and included accessories) appear damaged from shipping, or show signs of mishandling, notify the carrier immediately, not Chauvet. Failure to report damage to the carrier immediately may invalidate a claim. In addition, keep the box and contents for inspection.

For other issues, such as missing components or parts, damage not related to shipping, or concealed damage, file a claim with Chauvet within 7 days of delivery.

Text Conventions

Convention	Meaning
1–512	A range of values
50/60	A set of values of which only one can be chosen
Settings	A menu option not to be modified
<ENTER>	A key to be pressed on the product's control panel

Symbols

Symbol	Meaning
	Critical installation, configuration, or operation information. Not following these instructions may make the product not work, cause damage to the product, or cause harm to the operator.
	Important installation or configuration information. The product may not function correctly if this information is not used.
	Useful information.



Any reference to data or power connections in this manual assumes the use of Seetronic IP-rated cables.



The term “DMX” used throughout this manual refers to the USITT DMX512-A digital data transmission protocol.

Connection of the control signal: DMX line

- The product has XLR sockets for DMX input and output.
- **Notice:** This control circuit is isolated and belongs to the Class 2 data port.

The control circuit has a cumulative leakage current of less than 3.5 mA.

Safety Notes

Read all the following safety notes before working with this product. These notes contain important information about the installation, usage, and maintenance of this product.

This product contains no user-serviceable parts. Any reference to servicing in this User Manual will only apply to properly trained, certified technicians. Do not open the housing or attempt any repairs.



All applicable local codes and regulations apply to proper installation of this product.

- The luminaire is intended for professional use only.
- The luminaire should be positioned so that prolonged staring into the luminaire at a distance closer than 37.79 ft (11.5 m) is not expected.
- If the external flexible cable or cord of this luminaire is damaged, it shall be replaced by a special cord or cord exclusively available from the manufacturer or its service agent.
- The light source contained in this luminaire shall only be replaced by the manufacturer or its service agent or a similar qualified person.
- **CAUTION:**
 - This product's housing may be hot when operating. Mount this product in a location with adequate ventilation, at least 20 in (50 cm) from adjacent surfaces.
 - When transferring the product from extreme temperature environments, (e.g., cold truck to warm humid ballroom) condensation may form on the internal electronics of the product. To avoid causing a failure, allow the product to fully acclimate to the surrounding environment before connecting it to power.
 - Flashing light is known to trigger epileptic seizures. User must comply with local laws regarding notification of strobe use.
- **ALWAYS:**
 - Disconnect from power before cleaning the product or replacing the fuse.
 - When using an IP65-rated product in an outdoor environment, use IP65- (or higher) rated power and data cable.
 - Replace and secure IP-rated protective covers to all power, data, USB, or other ports when not in use.
 - Replace the fuse with the same type and rating.
 - Use a safety cable when mounting this product overhead.
 - Connect this product to a grounded and protected circuit.
- **DO NOT:**
 - Open this product. It contains no user-serviceable parts.
 - Look at the light source when the product is on.
 - Leave any flammable material within 20 cm of this product while operating or connected to power.
 - Connect this product to a dimmer or rheostat.
 - Operate this product if the housing, lenses, or cables appear damaged.
 - Submerge this product (adhere to standards for the published IP rating). Regular outdoor operation is fine.
 - Permanently install outdoors in locations with extreme environmental conditions. This includes, but is not limited to:
 - Locations where normal temperatures exceed the temperature ranges in this manual.
 - Locations that are prone to flooding or being buried in snow.
 - Other areas where the product will be subject to extreme radiation or caustic substances.
- **ONLY** use the hanging/mounting bracket to carry this product.
- The maximum ambient temperature is 113 °F (45 °C). Do not operate this product at higher temperatures.
- The minimum startup temperature is -4°F (-20°C). Do not start the product at lower temperatures.
- The minimum ambient temperature is -22°F (-30°C). Do not operate the product at lower temperatures.
- To eliminate unnecessary wear and improve its lifespan, during periods of non-use completely disconnect the product from power via breaker or by unplugging it.
- In the event of a serious operating problem, stop using immediately.



If a Chauvet product requires service, contact Chauvet Technical Support.

Before You Begin

FCC Statement of Compliance

This device complies with Part 15 Part B of the FCC rules. Operation is subject to the following two conditions:

1. This device may not cause harmful interference, and
2. This device must accept any interference received, including interference that may cause undesired operation.

This equipment has been tested and found to comply with the limits for a Class B digital device, pursuant to Part 15 of the FCC Rules. These limits are designed to provide reasonable protection against harmful interference in a residential installation. This equipment generates uses and can radiate radio frequency energy and, if not installed and used in accordance with the instructions, may cause harmful interference to radio communications. However, there is no guarantee that interference will not occur in a particular installation. If this equipment does cause harmful interference to radio or television reception, which can be determined by turning the equipment off and on, the user is encouraged to try to correct the interference by one or more of the following measures:

- Reorient or relocate the receiving antenna.
- Increase the separation between the equipment and receiver.
- Connect the equipment into an outlet on a circuit different from that to which the receiver is connected.
- Consult the dealer or an experienced radio/TV technician for help.

Any changes or modifications not expressly approved by the party responsible for compliance could void the user's authority to operate the equipment.

RF Exposure Warning for North America, and Australia

Warning! This equipment complies with FCC radiation exposure limits set forth for an uncontrolled environment. This equipment should be installed and operated with a minimum distance of 20cm between the radiator and your body. This transmitter must not be co-located or operating in conjunction with any other antenna or transmitter.

Expected LED Lifespan

Over time, use and heat will gradually reduce LED brightness. Clustered LEDs produce more heat than single LEDs, contributing to shorter lifespans if always used at full intensity. The average LED lifespan is 40,000 to 50,000 hours. To extend LED lifespan, maintain proper ventilation around the product, and limit the overall intensity.

2. Introduction

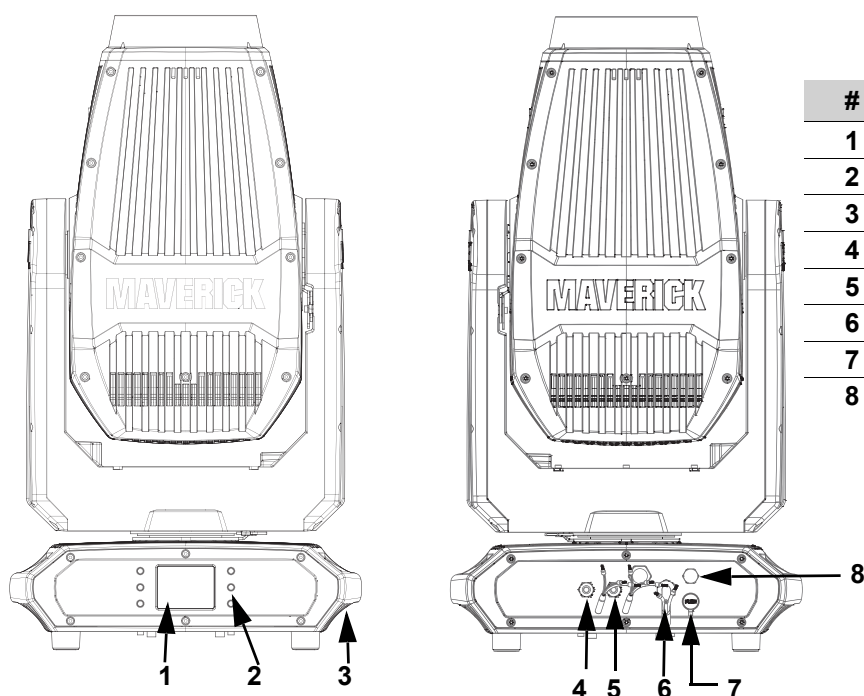
Description

The Maverick Storm 2 Profile M fits a full armory of features into the lightest mid-sized IP65 moving profile in its division. Drafted to fill designer demand for a double-duty compact powerhouse that combines the latest Maverick series technical achievements with the durability and versatility to perform indoors and out. Sculpt its 28,000 lumens of output with an exquisitely sharp framing shutter system, zoom down to a slicing 5.8 degree beam, and freely create with a wheelhouse that includes variable CMY + CTO color mixing, color wheel with CRI and CTB filters, static and rotating gobo wheels, five-facet prism, iris, and frost. This Maverick weathers the storm and welcomes the sunshine with SunShield technology that comes on with complete protection of all internal optical components whenever the fixture powers down.

Features

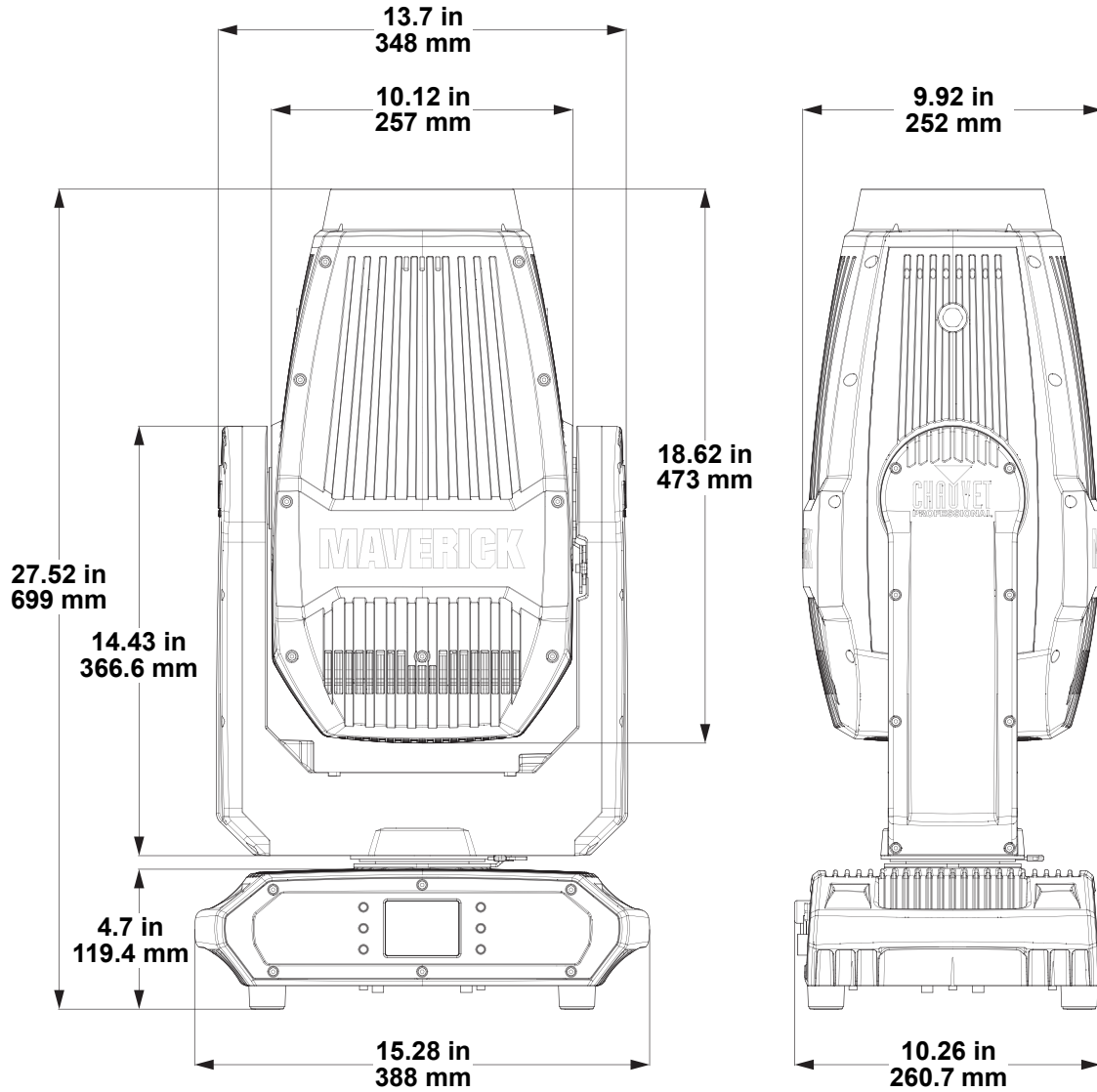
- Fully featured, compact and lightweight IP65 580 W LED yoke profile fixture including CMY + CTO color mixing, a 4-blade framing shutter system with rotation, a color wheel, 10:1 zoom, a 5-facet prism wheel, 1 rotating and 1 static gobo wheel, integrated sun shield
- C5M Paint application process and full aluminum construction for extended outdoor usage in and near marine environments
- Included display cover for extended outdoor usage in and near marine environments
- Stainless steel gland nuts for extended outdoor usage in and near marine environments
- 16-bit dimming of master dimmer for smooth control of fades
- Variable CMY + CTO color mixing system to create a wide pallet of colors
- CRI and CTB filters on color wheel for added flexibility
- One rotating, indexing and interchangeable slot and lock gobo wheel
- One rotating static gobo wheel
- DMX, WDMX, sACN, and Art-Net for full flexibility of control options
- RDM control over DMX for fixture reporting
- 5.8° to 56.1° zoom range for variable beam sizes
- Iris, 5-facet prism and frost for beam control
- TRUE1-compatible power input
- Integrated sun shield for protecting the optical path from sunlight when the fixture is off
- Three setup menu presets and preset sync for cross-loading to multiple like fixtures for easy shop setup
- USB slot for software uploads
- Battery backup display with auto-rotate depending on fixture orientation

Product Overview



#	Name
1	LCD display
2	Menu buttons
3	Carry handle (x2)
4	Ethernet ports
5	DMX in/out
6	Power in
7	Fuse holder
8	Condensation valve

Product Dimensions



3. Setup

AC Power

The Maverick Storm 2 Profile M has an auto-ranging power supply and it can work with an input voltage range of 100 to 240 VAC, 50/60 Hz.

To determine the product's power requirements (circuit breaker, power outlet, and wiring), use the current value listed on the label affixed to the product's back panel, or refer to the product's specifications chart. The listed current rating indicates the product's average current draw under normal conditions.



- **Always connect the product to a protected circuit (a circuit breaker or fuse). Make sure the product has an appropriate electrical ground to avoid the risk of electrocution or fire.**
- **To eliminate unnecessary wear and improve its lifespan, during periods of non-use completely disconnect the product from power via breaker or by unplugging it.**



Never connect the product to a rheostat (variable resistor) or dimmer circuit, even if the rheostat or dimmer channel serves only as a 0 to 100% switch.

AC Plug

The Maverick Storm 2 Profile M comes with a power input cable terminated with a Seetronic Powerkon A connector on one end and bare wire on the other end (U.S. market). Use the table below to wire a plug.

Connection	Wire (U.S.)	Wire (Europe)	Screw Color
AC Live	Black	Brown	Yellow or Brass
AC Neutral	White	Blue	Silver
AC Ground	Green/Yellow	Green/Yellow	Green

Fuse Replacement

1. Disconnect this product from the power outlet.
2. Using a flat-head screwdriver, unscrew the fuse holder cap from the housing.
3. Remove the blown fuse and replace with another fuse of the same type and rating (F 15 A, 250 V).
4. Screw the fuse holder cap back in place and reconnect power.

USB Software Update

The Maverick Storm 2 Profile M allows for software updates with a USB device using the built-in USB port. To update the software using a USB flash drive, do the following:

1. Power on the product, and plug the flash drive into the USB port.
2. Once the flash drive has been detected, the message "USB UPDATE" will be displayed. Select **YES**.
3. The next screen will show the software versions available for this fixture on the USB drive. For multiple versions of the software for the same fixture, use <UP> or <DOWN> to select the desired version. Press <ENTER>.
4. The "USB UPDATE" screen will re-appear. Select **YES**.



It is possible to update multiple units with the USB if they are daisy chained via DMX.

5. The update will start. **DO NOT** turn off the power or disconnect the USB while the USB LED is still blinking during the process. The screen display will read: "USB Update Wait". The update can take several minutes to complete.
 - When the USB firmware is done uploading, in some fixtures, the display will change to: "DO NOT UNPLUG, UPDATING".
6. When the update is completed, the fixture will automatically reboot.
7. Go to Fixture Information on the product's menu map and confirm the firmware revision.
8. When the boot-up process is finished, restart the product.



- **Place the .chl file in the root directory of the USB drive.**
- **The product's USB port supports up to 32GB capacity and only works with FAT32 file format.**



Turning off the power or removing the USB while the USB LED is still blinking during the update will cause partial or total firmware failure in the targeted fixture(s). If this occurs, the user will need the UPLOAD 08 device to fix this. Please contact Chauvet regarding this device.

Setup

Mounting

Before mounting the product, read and follow the safety recommendations indicated in the Safety Notes. For the Chauvet Professional line of mounting clamps, go to <http://trusst.com/products/>.

Orientation

Always mount this product in a safe position, making sure there is adequate room for ventilation, configuration, and maintenance.

Rigging

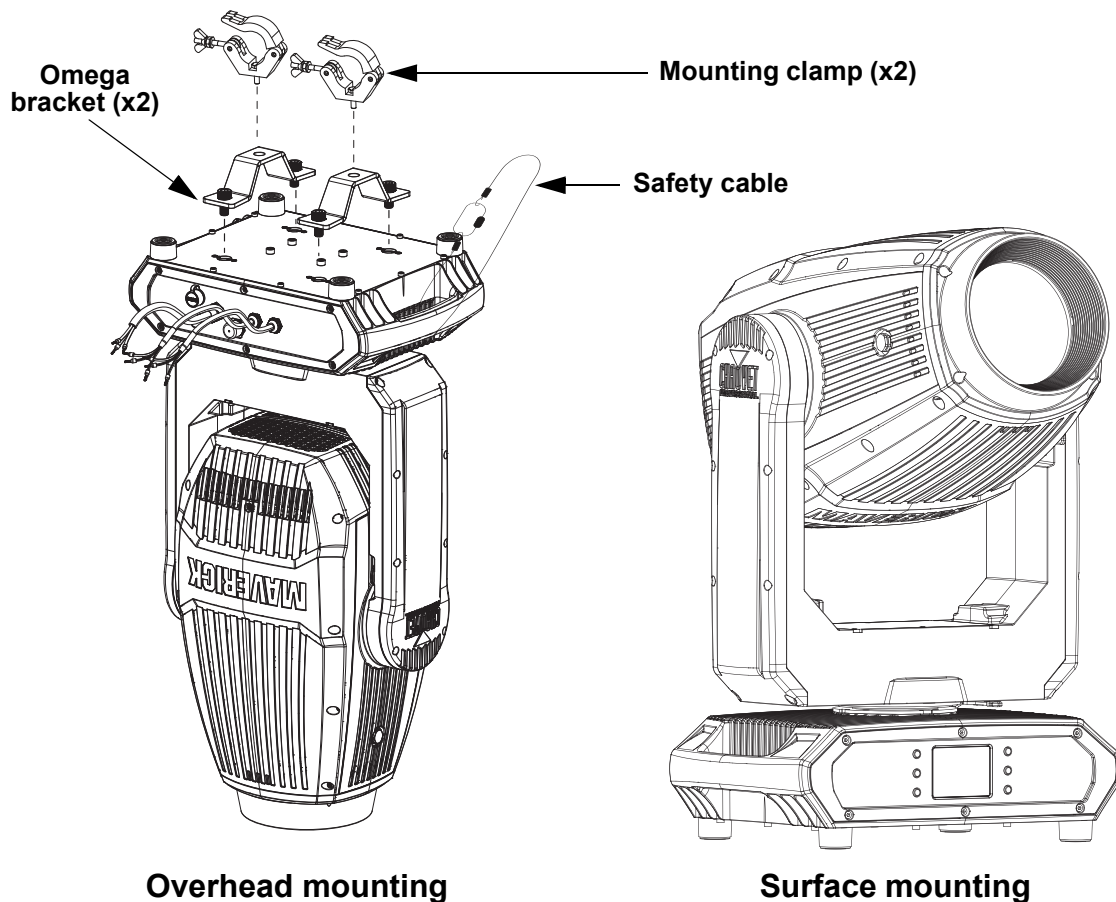
Chauvet recommends using the following general guidelines when mounting this product.

- Before deciding on a location for the product, make sure there is easy access to the product for maintenance and programming purposes.
- Make sure that the structure and attachment points can support the weight before hanging the product (see [Technical Specifications](#)).
- When mounting the product overhead, always use a safety cable. Mount the product securely to a rigging point, whether an elevated platform or a truss.
- When rigging the product onto a truss, use a mounting clamp of appropriate weight capacity.

Procedure

The Maverick Storm 2 Profile M comes with 2 Omega brackets to which the user can directly attach mounting clamps (sold separately). Make sure the clamps are capable of supporting the weight of this product. Use at least two mounting points per product. For the Chauvet Professional line of mounting clamps, go to <http://www.trusst.com/products>.

Mounting Diagram



Signal Connections

The Maverick Storm 2 Profile M can receive a DMX, Art-Net™, or sACN, signal. The Maverick Storm 2 Profile M has two Amphenol XLRnet through ports, and 5-pin DMX in and out ports. If using other compatible products with this product, it is possible to control each individually with a single controller.

Control Personalities

The Maverick Storm 2 Profile M uses a 5-pin DMX data connection, WDMX, Art-Net™, or sACN for its two control personalities: **Dmx Mode 32 CH** and **Dmx Mode 48 CH**.

- Refer to the [Operation](#) chapter to learn how to configure the Maverick Storm 2 Profile M to work in these personalities.
- The [Control Channel Assignments and Values](#) section provides detailed information regarding the control personalities.



For more information about DMX standards or the DMX cables needed to link this product to a DMX controller, download the DMX Primer from the Chauvet website: www.chauvetprofessional.com.

DMX Linking

The Maverick Storm 2 Profile M can link to a DMX controller using a 5-pin DMX connection or a WDMX connection. For more information about DMX, read the DMX primer at:

https://www.chauvetprofessional.com/wp-content/uploads/2016/06/DMX_Primer.pdf.

Remote Device Management

Remote Device Management (RDM) is a standard for allowing DMX-enabled devices to communicate bi-directionally along existing DMX cabling. Check the DMX controller's User Manual or with the manufacturer as not all DMX controllers have this capability. The Maverick Storm 2 Profile M supports RDM protocol that allows feedback to make changes to menu map options.

Art-Net™ Connection

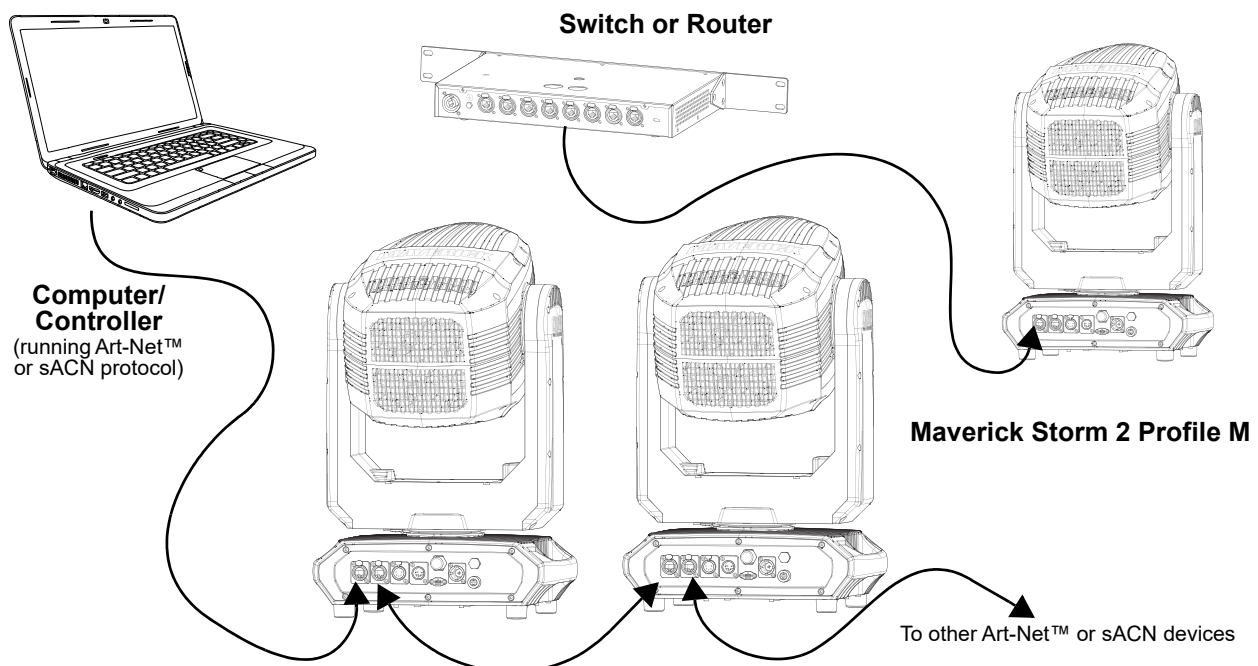
Art-Net™ is an Ethernet protocol that uses TCP/IP that transfers a large amount of DMX512 data using an Amphenol XLRnet RJ45 connection over a large network. An Art-Net™ protocol document is available from www.chauvetprofessional.com.

Art-Net™ designed by and copyright Artistic Licence Holdings Ltd.

sACN Connection







Also known as ANSI E1.31, streaming ACN is an Ethernet protocol that uses the layering and formatting of Architecture for Control Networks to transport DMX512 data over IP or any other ACN-compatible network.

Connection Diagram



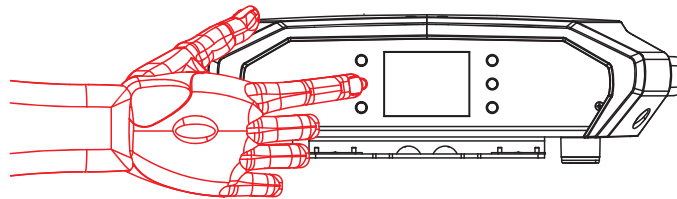
4. Operation

Control Panel Description

Button	Name	Function
	<UP>	Navigates upwards through the menu list or increases the value when in a function
	<MENU>	Exits from the current menu or function
	<DOWN>	Navigates downwards through the menu list or decreases the value when in a function
	<LEFT>	Navigates leftwards through the menu list
	<ENTER>	Enables the currently displayed menu or sets the selected value into the function
	<RIGHT>	Navigates rightwards through the menu list

Battery Powered Display

The Maverick Storm 2 Profile M has a battery powered display that enables access to the menu when the product is powered off. Press and hold <MENU> until the display activates (approximately 15 seconds).



Home Screen

The Maverick Storm 2 Profile M has a home screen that shows the current control protocols, personalities, starting addresses, IP addresses, and universes. To see the home screen, press <MENU> repeatedly until it shows on the display. From the home screen, touch any of the displayed control settings to immediately jump to that part of the menu, such as the personality, starting address, or universe, or press <ENTER> to reach the main menu.

Control Panel Lock

The setting locks or unlocks the control panel.

1. Go to the **Settings** main level.
2. Select the **Lock Screen** option.
3. Select **NO** (control panel stays unlocked) or **YES** (locks control panel).



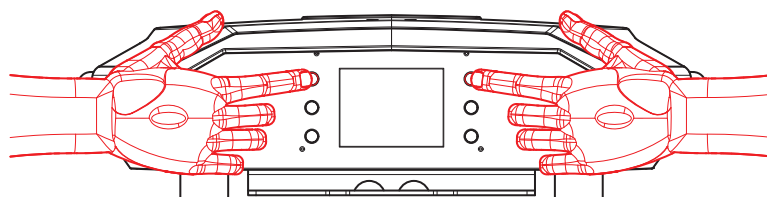
When the control panel lock is activated, the product will prompt for the passcode in order to access the menu. Enter the passcode as described below.

Passcode

After being prompted to enter the passcode, enter the numbers **0920**.

Technician Mode

The technician mode disables the pan/tilt motors, allowing the output of the product to be aimed by hand. To enable the technician mode of the Maverick Storm 2 Profile M, hold <UP> and <LEFT> while the product is powering on. When the product is turned off and back on, the pan and tilt will return to normal function.



Menu Map

Refer to the Maverick Storm 2 Profile M product page on www.chauvetprofessional.com for the latest software and menu map.

Main Level	Programming Levels		Description
Address	001–512		Sets the starting address
Network Setup	IP Mode	Manual	Manually set IP address
		DHCP	Network sets IP address
		Static	Product sets IP address
	Universe	000–255 (Art-Net™) 001–256 (sACN)	Sets the universe
	Ip	----- (000–255)	Sets the IP address in Manual mode
SubMask	----- (000–255)	Sets the Subnet Mask in Manual mode	
Personality	Dmx Mode 32 CH	NO	Selects the 32-channel mode
	Dmx Mode 48 CH	YES	Selects the 48-channel mode
Settings	Control Mode	DMX	Sets the control protocol
		ArtNet	
		sACN	
		WDMX	
	Pan Reverse	NO	Normal pan
		YES	Reversed pan
	Tilt Reverse	NO	Normal tilt
		YES	Reversed tilt
	Screen Reverse	NO	Normal screen display
		YES	Inverted screen display
		AUTO	Automatic display orientation
	Pan Angle	540	540° pan range
		360	360° pan range
		180	180° pan range
	Tilt Angle	270	270° tilt range
		180	180° tilt range
		090	90° tilt range
	BL. O. P/T Move	NO	Enable/disable blackout while panning/tilting
		YES	
	BL. O. Color Move	NO	Enable/disable blackout while color wheel is moving
		YES	
	BL. O. Gobo Move	NO	Enable/disable blackout while gobo wheels are moving
		YES	
	Lock Screen	NO	Lock the buttons
		YES	Passcode: 0920
	Swap XY	NO	Do not swap pan and tilt
		YES	Pan controls tilt, tilt controls pan
WDMX Reset	NO	Do not reset WDMX	
	YES	Reset WDMX	
Backlight Timer	30S	Display turns off after 30 seconds	
	1M	Display turns off after 1 minute	
	5M	Display turns off after 5 minutes	
	ON	Display stays on	
Loss of Data	Hold	Holds last signal received	
	Close	Blacks out fixture	

Main Level	Programming Levels		Description
Settings (cont.)	Fans	Auto	Fan speed according to product temperature
		Full	Fan speed set on high
		ECO	Quiet mode
		TV25	Maintains LED output up to an ambient temperature of 77 °F (25 °C) (TV25) or 95 °F (35 °C) (TV35).
		TV35	When using these fan modes, please set the PWM Options to 6000Hz or 15000Hz to prevent any harmonization noise.
	Dimmer Curve	Linear	Set the dimmer curve
		Square	
		I Squa	
		SCurve	
		Linear2	
	PWM Option	600 Hz	Sets the Pulse Width Modulation frequency
		1200 Hz	
		4000 Hz	
		6000 Hz	
		15000 Hz	
	LED POWER	64–255	Sets LED power
	Min Zoom Focus	NO	Enables/disables Min Zoom Focus
		YES	
	Preset Select	PRESET A	Recorded preset menu options
		PRESET B	
		PRESET C	
	Preset Sync	NO	Transfers recorded preset menu options to other Maverick Storm 2 Profile fixtures in the DMX daisy chain
		YES	
USB Update	NO	Update firmware via USB C	
	YES		
Reset Function	Pan/Tilt	NO YES	
	Iris/Prism		
	Color/CMY/Blade		
	Gobo/Gobo Rotate		
	Frost		
	All		
Factory Settings	NO	Reset to factory default settings	
	YES		
Test	Auto Test		Auto test all functions
	Manual Test	Pan	0–255
		Pan Fine	
		Tilt	
		Tilt Fine	
		P/T Speed	
		Dimmer	
		Dimmer Fine	
		Shutter	
		Virtual Shaking	
		Cyan	
		Magenta	
		Yellow	
		CTO	

Main Level	Programming Levels		Description	
Test (cont.)	Manual Test (cont.)	Color	0-255	Manually control and test all settings through the control panel
		Gobo		
		Gobo Rotate		
		Gobo Index		
		Gobo2		
		Blade1-1		
		Blade1-1 Fine		
		Blade1-2		
		Blade1-2 Fine		
		Blade2-1		
		Blade2-1 Fine		
		Blade2-2		
		Blade2-2 Fine		
		Blade3-1		
		Blade3-1 Fine		
		Blade3-2		
		Blade3-2 Fine		
		Blade4-1		
		Blade4-1 Fine		
		Blade4-2		
		Blade4-2 Fine		
		Blade Rotate		
		Blade. Rota Fine		
		Focus		
		Focus Fine		
		Focus Auto		
		Zoom		
		Zoom Fine		
		Prism		
		Prism Rotate		
		Iris		
		Frost		
		CMY Macro		
CMY Macro Speed				
Control				
Information	Fixture Information	Ver V_ _ _ _ _		Shows firmware version
		Running Mode _ _ _ _		Shows current running mode
		DMX Address _ _ _		Shows current starting address
		Temperature _ _ _		Shows current product temperature in °C
	Fixture Information (cont.)	Fixture Hours _ _ _ _ _		Shows hours product has been on
		LED Hours _ _ _ _ _		Shows hours LED has been on
		Ip _ _ _ _ _		Shows current IP address
		SubMask _ _ _ _ _		Shows current Subnet Mask
	Fan Information	MAC _ _ _ _ _		Shows MAC address
		FAN _ _ _ (x9) Speed _ _ _ _		Shows speed of each fan in rpm
Error Information	Base Fan1-2 Speed _ _ _ _		Shows any errors, or No Error!	

Main Level	Programming Levels		Description
Information (cont.)	Channel Information	Frequency	000–255 Shows all current values from input signals
		Pan	
		Pan Fine	
		Tilt	
		Tilt Fine	
		P/T Speed	
		Dimmer	
		Dimmer Fine	
		Shutter	
		Virtual Shaking	
		Cyan	
		Magenta	
		Yellow	
		CTO	
		Color	
		Gobo	
		Gobo Rotate	
		Gobo Index	
		Gobo2	
		Blade1- 1	
		Blade1- 1 Fine	
		Blade1- 2	
		Blade1- 2 Fine	
		Blade2- 1	
		Blade2- 1 Fine	
		Blade2- 2	
		Blade2- 2 Fine	
		Blade3- 1	
		Blade3- 1 Fine	
		Blade3- 2	
		Blade3- 2 Fine	
		Blade4- 1	
		Blade4- 1 Fine	
		Blade4- 2	
		Blade4- 2 Fine	
		Blade Rotate	
		Blade. Rota Fine	
		Focus Fine	
		Focus	
		Focus Auto	
Zoom			
Zoom Fine			
Prism			
Prism Rotate			
Iris			
Frost			
CMY Macro			
CMY Macro Speed			
Control			

Control Configuration

Use control configurations to operate the product with a DMX, Art-Net™, or sACN controller.

Control Mode

The Maverick Storm 2 Profile M works with wired DMX, WDMX, Art-Net™, and sACN control signals. To select which protocol to use:

1. Go to the **Settings** main level.
2. Select the **Control Mode** option.
3. Select the desired protocol, from **DMX**, **ArtNet**, **sACN**, or **WDMX**.

Control Personalities

To set the control personality:

1. Go to the **Personality** main level.
2. Select the desired personality, from **Dmx Mode 32 CH** or **Dmx Mode 48 CH**.



- See the [Starting Address](#) section for the highest selectable starting address for each personality.
- Make sure that the starting addresses on the various products do not overlap due to the new personality setting.

Starting Address

Each product will respond to a unique starting address from the controller. All products with the same starting address will respond in unison. To set the starting address:

1. Go to the **Address** main level.
2. Select the starting address (**001–512**).
 - The highest recommended starting address for **Dmx Mode 32 CH** is **481**.
 - The highest recommended starting address for **Dmx Mode 48 CH** is **465**.

Network Setup

The Network Setup settings control the IP address, subnet mask, and universe of the product.

IP Mode

To choose how the IP address is set:

1. Go to the **Network Setup** main level.
2. Select the **IP Mode** option.
3. Select the desired IP mode, from **Manual** (to set a custom IP address), **DHCP** (the IP address is assigned by the connected network), or **Static** (the product uses a default, preset IP address).

Universe

To assign an Art-Net™ or sACN universe to the Maverick Storm 2 Profile M:

1. Go to the **Network Setup** main level.
2. Select the **Universe** option.
3. Set the universe, from **000–255** (for Art-Net™) or from **001–256** (for sACN).

Manual IP Address

To set the IP address when the **IP Mode** is set to **Manual**:

1. Go to the **Network Setup** main level.
2. Select the **Ip** option.
3. Set the 4 values of the IP address from **000–255**.

Subnet Mask

To set the subnet mask:

1. Go to the **Network Setup** main level.
2. Select the **SubMask** option.
3. Set the 4 values of the subnet mask from **000–255**.

Control Channel Assignments and Values

32CH	48CH	Function	Value	Percent/Setting
1	1	Pan	000 ⇔ 255	0–100%
2	2	Fine pan	000 ⇔ 255	Fine control (16-bit)
3	3	Tilt	000 ⇔ 255	0–100%
4	4	Fine tilt	000 ⇔ 255	Fine control (16-bit)
5	5	Pan/tilt speed	000 ⇔ 255	Fast to slow
6	6	Dimmer	000 ⇔ 255	0–100%
–	7	Fine dimmer	000 ⇔ 255	Fine control (16-bit)
7	8	Strobe	000 ⇔ 003	Off
			004 ⇔ 007	On
			008 ⇔ 076	Synchronized strobe, slow to fast
			077 ⇔ 145	Pulse strobe, slow to fast
			146 ⇔ 215	Random strobe, slow to fast
			216 ⇔ 255	On
8	9	Virtual shaking	000 ⇔ 001	No function
			002 ⇔ 128	Shaking effect, slow to fast
			129 ⇔ 255	Fade effect, slow to fast
9	10	Cyan	000 ⇔ 255	0–100%
10	11	Magenta	000 ⇔ 255	0–100%
11	12	Yellow	000 ⇔ 255	0–100%
12	13	CTO	000 ⇔ 255	0–100%
13	14	Color wheel	000 ⇔ 006	Open
			007 ⇔ 013	Color 1 (red)
			014 ⇔ 020	Color 2 (orange)
			021 ⇔ 027	Color 3 (green)
			028 ⇔ 034	Color 4 (magenta)
			035 ⇔ 041	Color 5 (blue)
			042 ⇔ 048	Color 6 (CTO)
			049 ⇔ 059	Color 7 (CTB)
			060 ⇔ 187	Color wheel indexing
			188 ⇔ 219	Color scroll, fast to slow
			220 ⇔ 223	Stop
			224 ⇔ 255	Reverse color scroll, slow to fast
14	15	Gobo wheel 1 (see Gobo Wheels)	001 ⇔ 007	Open
			008 ⇔ 015	Gobo 1 (Pipes & Poles)
			016 ⇔ 023	Gobo 2 (Cookie Cutter)
			024 ⇔ 031	Gobo 3 (This Way)
			032 ⇔ 039	Gobo 4 (Fast Moves)
			040 ⇔ 047	Gobo 5 (Laser Rays)
			048 ⇔ 055	Gobo 6 (Limbo)
			056 ⇔ 063	Gobo 7 (Fractured Mycelium)
			064 ⇔ 071	Gobo 7 shaking, slow to fast
			072 ⇔ 079	Gobo 6 shaking, slow to fast
			080 ⇔ 087	Gobo 5 shaking, slow to fast
			088 ⇔ 095	Gobo 4 shaking, slow to fast
			096 ⇔ 103	Gobo 3 shaking, slow to fast
			104 ⇔ 111	Gobo 2 shaking, slow to fast
			112 ⇔ 119	Gobo 1 shaking, slow to fast
			120 ⇔ 127	Open
			128 ⇔ 191	Gobo scroll, slow to fast
			192 ⇔ 255	Reverse gobo scroll, slow to fast

32CH	48CH	Function	Value	Percent/Setting
15	16	Gobo wheel 1 rotation	000 ⇔ 063	Gobo index
			064 ⇔ 145	Clockwise rotation, fast to slow
			146 ⇔ 149	Stop
			150 ⇔ 231	Counterclockwise rotation, slow to fast
			232 ⇔ 255	Alternating clockwise/counterclockwise rotation, short to long
-	17	Gobo 1 fine rotation	000 ⇔ 255	Fine control (16-bit)
16	18	Gobo wheel 2 (see Gobo Wheels)	000 ⇔ 005	Open
			006 ⇔ 011	Gobo 1 (Dots)
			012 ⇔ 017	Gobo 2 (Paperclip Party)
			018 ⇔ 023	Gobo 3 (Orbital)
			024 ⇔ 029	Gobo 4 (Dirty Dirt)
			030 ⇔ 035	Gobo 5 (Box Cutter)
			036 ⇔ 041	Gobo 6 (Crazy Turns)
			042 ⇔ 047	Gobo 7 (Hex Chem)
			048 ⇔ 053	Gobo 8 (Scribble)
			054 ⇔ 063	Gobo 9 (Aperture)
			064 ⇔ 069	Gobo 9 shaking, slow to fast
			070 ⇔ 075	Gobo 8 shaking, slow to fast
			076 ⇔ 081	Gobo 7 shaking, slow to fast
			082 ⇔ 087	Gobo 6 shaking, slow to fast
			088 ⇔ 093	Gobo 5 shaking, slow to fast
			094 ⇔ 099	Gobo 4 shaking, slow to fast
			100 ⇔ 105	Gobo 3 shaking, slow to fast
			106 ⇔ 111	Gobo 2 shaking, slow to fast
			112 ⇔ 117	Gobo 1 shaking, slow to fast
			118 ⇔ 127	Open
128 ⇔ 191	Gobo scroll, slow to fast			
192 ⇔ 255	Reverse gobo scroll, slow to fast			
17	19	Blade 1-1	000 ⇔ 255	0–100%
-	20	Fine blade 1-1	000 ⇔ 255	Fine control (16-bit)
18	21	Blade 1-2	000 ⇔ 255	0–100%
-	22	Fine blade 1-2	000 ⇔ 255	Fine control (16-bit)
19	23	Blade 2-1	000 ⇔ 255	0–100%
-	24	Fine blade 2-1	000 ⇔ 255	Fine control (16-bit)
20	25	Blade 2-2	000 ⇔ 255	0–100%
-	26	Fine blade 2-2	000 ⇔ 255	Fine control (16-bit)
21	27	Blade 3-1	000 ⇔ 255	0–100%
-	28	Fine blade 3-1	000 ⇔ 255	Fine control (16-bit)
22	29	Blade 3-2	000 ⇔ 255	0–100%
-	30	Fine blade 3-2	000 ⇔ 255	Fine control (16-bit)
23	31	Blade 4-1	000 ⇔ 255	0–100%
-	32	Fine blade 4-1	000 ⇔ 255	Fine control (16-bit)
24	33	Blade 4-2	000 ⇔ 255	0–100%
-	34	Fine blade 4-2	000 ⇔ 255	Fine control (16-bit)
25	35	Blade rotation	000 ⇔ 255	0–100%
-	36	Fine blade rotation	000 ⇔ 255	Fine control (16-bit)
26	37	Focus	000 ⇔ 255	0–100%
-	38	Fine focus	000 ⇔ 255	Fine control (16-bit)

Operation



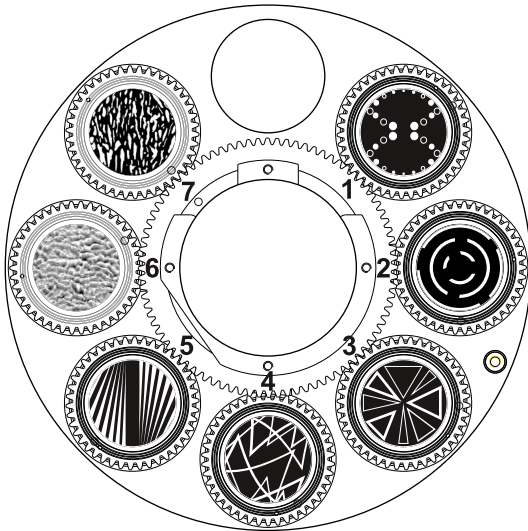
32CH	48CH	Function	Value	Percent/Setting
-	39	Auto focus	000 ⇔ 010	No function
			011 ⇔ 030	0-5 meters
			031 ⇔ 050	6 meters
			051 ⇔ 070	7 meters
			071 ⇔ 090	8 meters
			091 ⇔ 110	9 meters
			111 ⇔ 130	10 meters
			131 ⇔ 150	12.5 meters
			151 ⇔ 170	15 meters
			171 ⇔ 190	17.5 meters
191 ⇔ 210	20-60 meters			
211 ⇔ 255	Auto detect distance			
27	40	Zoom	000 ⇔ 255	0–100% (wide to narrow)
-	41	Zoom fine	000 ⇔ 255	Fine control (16-bit)
28	42	Prism	000 ⇔ 004	No function
			005 ⇔ 255	Prism insert
29	43	Prism rotate	000 ⇔ 127	Prism index
			128 ⇔ 189	Clockwise rotation, fast to slow
			190 ⇔ 193	Stop
			194 ⇔ 255	Counterclockwise rotation, slow to fast
30	44	Iris	000 ⇔ 063	Big to small
			064 ⇔ 127	Auto change, slow to fast
			128 ⇔ 191	Slow open, fast close, slow to fast
			192 ⇔ 255	Fast open, slow close, slow to fast
31	45	Frost	000 ⇔ 255	0–100%
-	46	CMY macro	000 ⇔ 003	No function
			004 ⇔ 006	Full CTO
			007 ⇔ 009	1/4 CTO
			010 ⇔ 255	CMY macro
-	47	CMY macro speed	000 ⇔ 255	Fast to slow

32CH	48CH	Function	Value	Percent/Setting
			000 ⇔ 007	No function
			008 ⇔ 015	Blackout during pan/tilt
			016 ⇔ 023	Blackout while color wheel is moving
			024 ⇔ 031	Blackout while gobo wheels are moving
			032 ⇔ 039	Blackout during pan/tilt/color wheel
			040 ⇔ 047	Blackout during pan/tilt/gobo wheels
			048 ⇔ 055	Blackout pan/tilt/color wheel/gobo wheels
			056	No function
			057	600 Hz PWM
			058	1200 Hz PWM
			059	2000 Hz PWM
			060	4000 Hz PWM
			061	6000 Hz PWM
			062	15000 Hz PWM
			063	No function
			064	Linear dim curve
			065	Square dim curve
			066	I square dim curve
			067	Scurve dim curve
			068	Linear 2 dim curve
			069 ⇔ 075	No function
			076 ⇔ 080	Disengage sun shield
			081 ⇔ 084	Engage sun shield
32	48	Control (3 second hold)	085 ⇔ 095	No function
			096 ⇔ 103	Pan reset
			104 ⇔ 111	Tilt reset
			112 ⇔ 119	Color wheel reset
			120 ⇔ 127	Gobo wheels reset
			128 ⇔ 135	No function
			136 ⇔ 143	Prism reset
			144 ⇔ 151	Blades reset
			152 ⇔ 159	All reset
			160 ⇔ 167	Iris reset
			168 ⇔ 175	Frost reset
			176 ⇔ 183	Zoom reset
			184 ⇔ 191	CMY/CTO reset
			192 ⇔ 199	Fan mode ECO
			200 ⇔ 207	Fan mode Full
			208 ⇔ 215	Fan mode Auto
			216 ⇔ 220	Fan mode TV25
			221 ⇔ 225	Fan mode TV35
			226 ⇔ 230	No function
			231 ⇔ 235	Pan/tilt swap on
			236 ⇔ 240	Pan/tilt swap off
			241 ⇔ 245	Min Zoom Focus off
			246 ⇔ 250	Min Zoom Focus on
			251 ⇔ 255	No function

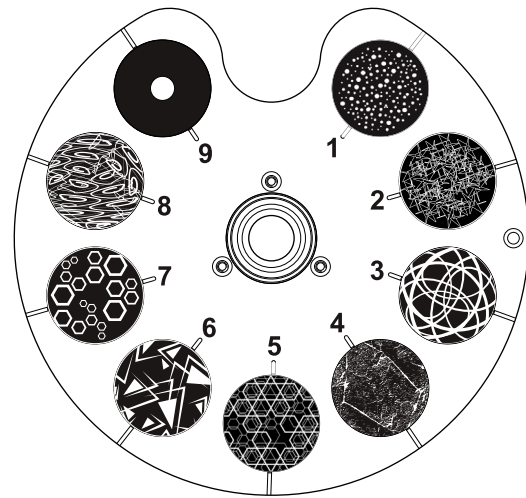
Operation

Gobo Wheels

Gobo Wheel 1
Rotating Gobo Wheel

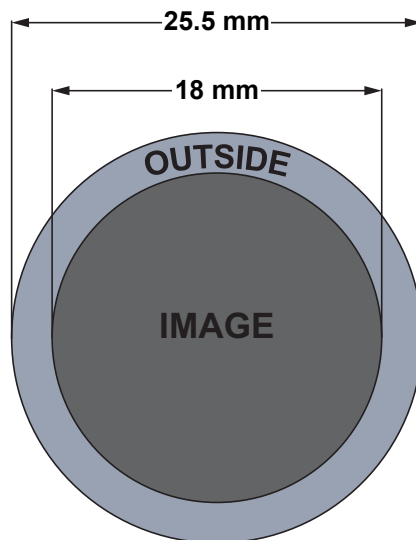


Gobo Wheel 2
Static Gobo Wheel



Gobo Wheel	Gobo #	Description	Gobo Wheel	Gobo #	Description
1	1	Pipes & Poles	2	1	Dots
	2	Cookie Cutter		2	Paperclip Party
	3	This Way		3	Orbital
	4	Fast Moves		4	Dirty Dirt
	5	Laser Rays		5	Box Cutter
	6	Limbo		6	Crazy Turns
	7	Fractured Mycelium		7	Hex Chem
				8	Scribble
				9	Aperture

Gobo Dimensions for Gobo Wheel 1



Gobo Replacement

The gobos in the Maverick Storm 2 Profile M are removable from their gobo holders.



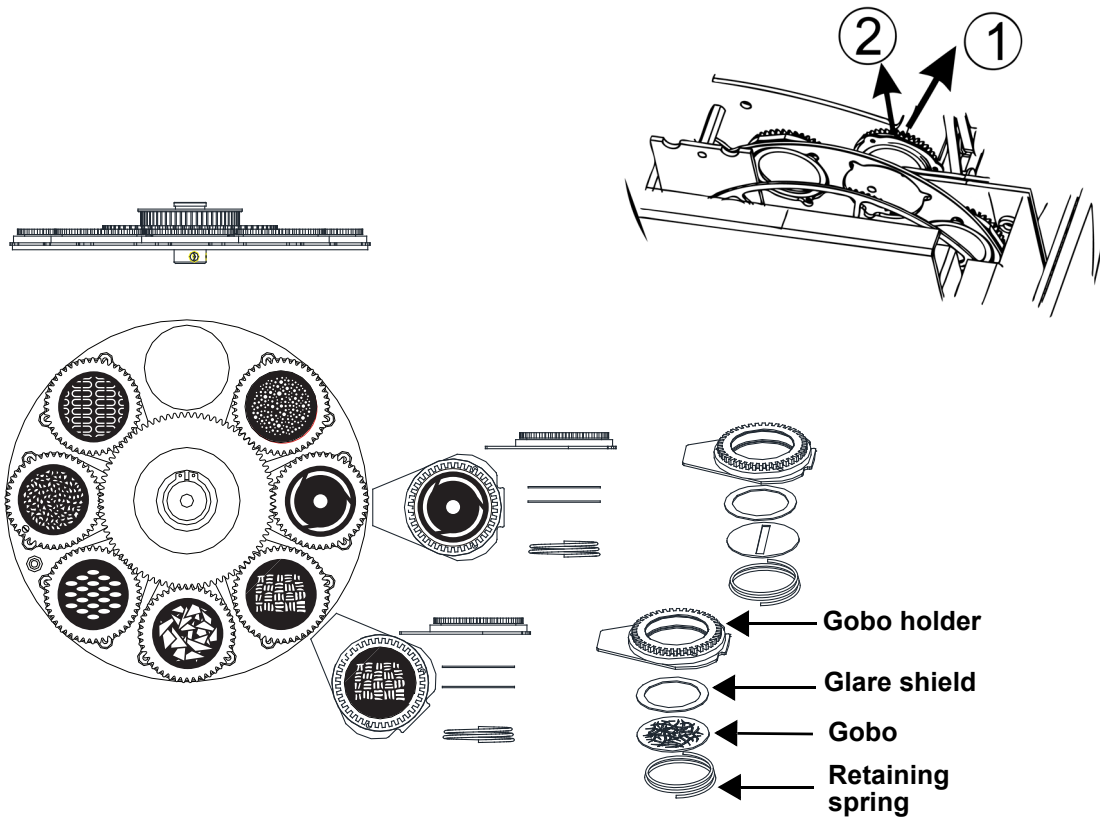
- **Make sure to disconnect the product's power cable before replacing a gobo.**
- **Always replace a gobo with a gobo of the same dimensions.**
- **When inserting a glass gobo, always make sure that the shiny side of the gobo (glass base) faces the lamp. This provides a layer of protection against the high temperature from the lamp.**
- **All custom gobos in the Maverick Storm 2 Profile M gobo wheel must be aluminum or glass.**

Procedure

Follow the recommended procedure below to remove or replace the gobos:

1. Turn the product off and disconnect it from the power outlet.
2. Open the head cover by loosening the 4 Phillips-head ¼-turn screws on the sides of the top cover.
3. Separate the gobo holder away from the gobo wheel by pushing it toward the front of the moving head (see direction 1 in the diagram). Be careful not to push the gobo out of the gobo holder.
4. Extract the gobo holder by pulling it outward (see direction 2 in the diagram).
5. On a flat surface, remove the expansion ring that holds the gobo in place and remove the gobo from the gobo holder.
6. Insert a new gobo and hold it in place with the expansion ring.
7. Slide the tip of the gobo holder under the pressure plate near the center of the gobo wheel.
8. Push the gobo holder inwards. **DO NOT** force the gobo holder into the gobo wheel slot. If correctly installed, the gobo plate should easily slide itself into the gobo wheel slot.

Gobo Replacement Diagrams



- **Gobo illustrations are for reference purposes only. Gobo designs may differ from those installed in the product.**
- **See [Gobo Maintenance](#) for instructions on how to clean the gobos and gobo holder.**

Operation

Settings Configuration

Pan Reverse

To set the orientation of the pan:

1. Go to the **Settings** main level.
2. Select the **Pan Reverse** option.
3. Select from **NO** (normal pan motion), or **YES** (reversed pan motion).

Tilt Reverse

To set the orientation of the tilt:

1. Go to the **Settings** main level.
2. Select the **Tilt Reverse** option.
3. Select from **NO** (normal tilt motion), or **YES** (reversed tilt motion).

Screen Reverse

To set the orientation of the display:

1. Go to the **Settings** main level.
2. Select the **Screen Reverse** option.
3. Select from **NO** (right-side up), **YES** (upside-down), or **AUTO** (automatic orientation).

Pan Angle

To set the maximum angle of the pan:

1. Go to the **Settings** main level.
2. Select the **Pan Angle** option.
3. Select from **540** (540°), **360** (360°), or **180** (180°).

Tilt Angle

To set the maximum angle of the tilt:

1. Go to the **Settings** main level.
2. Select the **Tilt Angle** option.
3. Select from **270** (260°), **180** (180°), or **090** (90°).

Black out on Movement

To set the product to black out while the pan/tilt, color wheel, or gobo wheels are moving:

1. Go to the **Settings** main level.
2. Select from the **BL. O. P/T Move** (black out on pan/tilt movement), **BL. O. ColorMove** (black out on color wheel movement), or **BL. O. GoboMove** (black out on gobo wheel movement) options.
3. Select from **NO** or **YES**.

Swap Pan and Tilt

To swap the controls for the pan and tilt:

1. Go to the **Settings** main level.
2. Select the **Swap XY** option.
3. Select from **NO** (pan controls pan, tilt controls tilt) or **YES** (pan controls tilt, tilt controls pan).

WDMX Reset

To reset the WDMX connection:

1. Go to the **Settings** main level.
2. Select the **WDMX Reset** option.
3. Select from **NO** or **YES**.

Display Backlight Timer

To set how long before an inactive display will turn off:

1. Go to the **Settings** main level.
2. Select the **Backlight Timer** option.
3. Select the length of the backlight timer, from **30S** (30 seconds), **1M** (1 minute), **5M** (5 minutes), or **ON** (always on).

Fan Mode

To set the fan speed mode:

1. Go to the **Settings** main level.
2. Select the **Fans** option.
3. Select the fan mode, from **Auto** (fan speed adjusts to product temperature), **Full** (fan speed at maximum), **ECO** (quiet mode), **TV25** (maintains LED output up to an ambient temperature of 77 °F [25 °C]), or **TV35** (maintains LED output up to an ambient temperature of 95 °F [35 °C]).



When using the TV25 or TV35 fan mode, please set the PWM Options ([Pulse Width Modulation](#)) to 6000Hz or 15000Hz to prevent any harmonization noise.

Dimmer Curve

To set the dimmer curve:

1. Go to the **Settings** main level.
2. Select the **Dimmer Curve** option.
3. Select the dimmer curve, from **Linear**, **Square**, **I Squa**, **SCurve**, or **Linear2**.

Pulse Width Modulation

To adjust the frequency of the pulse width modulation:

1. Go to the **Settings** main level.
2. Select the **PWM Option** option.
3. Select the frequency, from **600Hz**, **1200Hz**, **4000Hz**, **6000Hz**, or **15000Hz**.

LED Power

To set the power of each LED color:

1. Go to the **Settings** main level.
2. Select the **LED POWER** option.
3. Set the LED power from **64–255**.

Minimum Zoom Focus

To enable or disable the Min Zoom Focus function:

1. Go to the **Settings** main level.
2. Select the **Min Zoom Focus** option.
3. Select **NO** (manual independent zoom control) or **YES** (focus adjusts depending on zoom setting).

Preset Selection

To select a preset configuration of menu options:

1. Go to the **Settings** main level.
2. Select the **Preset Select** option.
3. Select from **PRESET A** (default), **PRESET B**, or **PRESET C**.



- **Changes to settings automatically save to the currently selected Preset.**
- **If no Preset has been selected, changes to settings save to PRESET A.**
- **After selecting a Preset, the product will restart.**

Preset Synchronization

To transfer saved Presets from one Maverick Storm 2 Profile M to another:

1. Connect the Maverick Storm 2 Profile M products to receive the Presets by a DMX daisy chain.
2. Make the Maverick Storm 2 Profile M with the Presets to transfer the first in the DMX daisy chain.
3. Power on all of the products.
4. Set all of the products to a [Control Mode](#) other than **WDMX**. (**DMX**, **ArtNet**, or **sACN**)
5. On the Maverick Storm 2 Profile M with the Presets, go to the **Settings** main level.
6. Select the **Preset Sync** option.
7. Select **NO** (to cancel) or **YES** (to transfer the Presets to the connected products).



- **All menu configurations are transferred except for the IP address.**
- **ONLY connect Maverick Storm 2 Profile M products for this function!**

Operation

USB Update

To enable or disable software update using USB:

1. Go to the **Settings** main level.
2. Select the **USB Update** option.
3. Select **NO** (disables software update through USB) or **YES** (enables software update through USB).



See the [USB Software Update](#) section for the detailed instructions on how to update the **Maverick Storm 2 Profile M** software using a USB C connection.

Reset Function

To reset specific functions or the entire product:

1. Go to the **Settings** main level.
2. Select the **Reset Function** option.
3. Select the functions to reset, from **Pan/Tilt, Iris/Prism, Color/CMY/Blade, Gobo/Gobo Rotate, Frost, or All**.
4. Select **NO** (to cancel) or **YES** (to reset the selected functions).

Factory Reset

To reset the product to factory settings:

1. Go to the **Settings** main level.
2. Select the **Factory Reset** option.
3. Select **NO** (to cancel) or **YES** (to reset the product configuration).

Test Mode

Auto Test

To have the Maverick Storm 2 Profile M automatically test all functions one after the other:

1. Go to the **Test** main level.
2. Select the **Auto Test** option.

Manual Test

To manually test an individual function of the Maverick Storm 2 Profile M:

1. Go to the **Test** main level.
2. Select the **Manual Test** option.
3. Select a function to test, from **Pan, Pan Fine, Tilt, Tilt Fine, P/T Speed, Dimmer, Dimmer Fine, Shutter, Virtual Shaking, Cyan, Magenta, Yellow, CTO, Color, Gobo, Gobo Rotate, Gobo Index, Gobo2, Blade1-1, Blade1-1 Fine, Blade1-2, Blade1-2 Fine, Blade2-1, Blade2-1 Fine, Blade2-2, Blade2-2 Fine, Blade3-1, Blade3-1 Fine, Blade3-2, Blade3-2 Fine, Blade4-1, Blade4-1 Fine, Blade4-2, Blade4-2 Fine, Blade Rotate, Blade. Rota Fine, Focus, Focus Fine, Focus Auto, Zoom, Zoom Fine, Prism, Prism Rotate, Iris, Frost, CMY Macro, CMY Macro Speed, or Control**.
4. Increase or decrease the value of the selected function from **0–255** to test it.

System Information

The information section of the menu displays statistics and the current status of the product's various functions. To view this information:

1. Go to the **Information** main level.
2. Select from the **Fixture Information, Fan Information, Error Information, or Channel Information** options.
3. Use **<UP>** and **<DOWN>** to view all information.

Zero Adjust Mode

The Zero Adjust Mode provides fine adjustments for the home position of every moving part in the optical path as well as the pan and tilt movements. To adjust these options and prevent borders showing or reduction of the light output:

1. From the main level screen, press and hold **<MENU>** until the passcode screen appears.
2. Enter the passcode: **0920** and press **<ENTER>**.
3. Select the “zero” position to adjust, from **PAN, TILT, COLOR, GOBO, GOBO ROTATE, GOBO2, FOCUS-GOBO, FOCUS-GOBO2, ZOOM, PRISM, IRIS, FROST, Light Block, CYAN, MAGENTA, YELLOW, CTO, BLADE1-1, BLADE1-2, BLADE2-1, BLADE2-2, BLADE3-1, BLADE3-2, BLADE4-1, BLADE4-2, BLADE ROTATE, DIMMER1, DIMMER2, MAC4, MAC5, MAC6, RDM ID4, RDM ID5, or RDM ID6.**
4. Adjust the “zero” position for the selected function from **000–255**.

Web Server

The Maverick Storm 2 Profile M Web Server can be accessed by any computer on the same network as the product. It allows network access to system information, settings such as control setup, manual testing of all functions, firmware updates, and the ability to change the Web Server password.

1. Connect the product to power, and set the [Control Mode](#) to **ArtNet** and the [IP Mode](#) to **Static**.
2. Connect the product to a Windows computer with a network cable.
3. On the computer, set the first value of the IP address of the new network to match the first value of the IP address of the product. The IP address of the product is displayed on the [Home Screen](#).
4. Enter the IP address of the product into the URL bar of a web browser on the computer.
5. Enter both the User Name and Password as **admin** to log in.

Information

The Information page on the Web Server displays the current settings and the system information of the Maverick Storm 2 Profile M.

Setup

The Setup page on the Web Server provides options for control, similar to the **Setup** menu on the product. Click **Save Settings** to send the new configuration to the product.

Manual Test

The Manual Test page on the Web Server allows all output functions of the product to be controlled through the browser. To set all functions back to default, click **Reset**.

Firmware Update

The Upgrade page on the Web Server allows the product to be updated with the latest firmware. Go to <https://www.chauvetprofessional.com> to download firmware updates.

Security

The Security page on the Web Server gives the option to change the password to the connected product's web server. Enter the old password (**admin**, by default) and the new password twice, then click **Save Settings** to change the password.

5. Maintenance

Product Maintenance

Dust build-up reduces light output performance and can cause overheating. This can lead to reduction of the light source's life and/or mechanical wear. To maintain optimum performance and minimize wear, clean all lighting product at least twice a month. However, be aware that usage and environmental conditions could be contributing factors to increase the cleaning frequency.

To clean the product, follow the instructions below:

1. Unplug the product from power.
2. Wait until the product is at room temperature.
3. Use a vacuum (or dry compressed air) and a soft brush to remove dust collected on the external surface/vents.
4. Clean all transparent surfaces with a mild soap solution, ammonia-free glass cleaner, or isopropyl alcohol.
5. Apply the solution directly to a soft, lint free cotton cloth or a lens cleaning tissue.
6. Softly drag any dirt or grime to the outside of the transparent surface.
7. Gently polish the transparent surfaces until they are free of haze and lint.



Always dry the transparent surfaces carefully after cleaning them.



Do not spin the cooling fans with compressed air. Damage may result.

Gobo Maintenance

To ensure optimal operation, 1) inspect and 2) clean gobos every four months. More frequent maintenance may be necessary if usage is higher.

To inspect, remove each gobo holder and check if:

- the holders are clean (free of dirt, grime, or gunk).
- the gobos are properly installed in the holders.
- all the bearings are in place.
- the holders are rotating freely.

To clean the gobos and the gobo holder, follow the instructions below:

1. Remove the gobos from the holder.
2. Clean the gobos with a soft, lint-free cotton cloth. Use an ammonia-free glass cleaner sprayed to a piece of lint-free cotton cloth to clean glass gobos.
3. Submerge the gobo holder (without the gobo installed) in a container with a liquid lubricant (i.e., WD40) and let it rest for a couple of minutes.
4. Shake the container with the gobo holder inside to help release/loosen any gunk/grime/dirt.
5. Take the gobo holder out of the container and clean it using a small nylon brush.
6. Wipe off all the lubricant from the gobo holder using a piece of lint-free cotton cloth.
7. Apply a small coat of synthetic oil (i.e., Liquid Bearings) to the bearings and rotate it thoroughly in both directions (needle tip applicator recommended). Make sure the gobo holder is rotating freely and is not making any abnormal noise.
8. Reinstall the gobos in the gobo holder. Make sure the gobos are in the correct positions.
9. Reinstall the gobo holder in the unit.

Torque Measurements

To maintain the IP rating when reassembling the product, use the given torque measurements for each of the following screws and bolts:

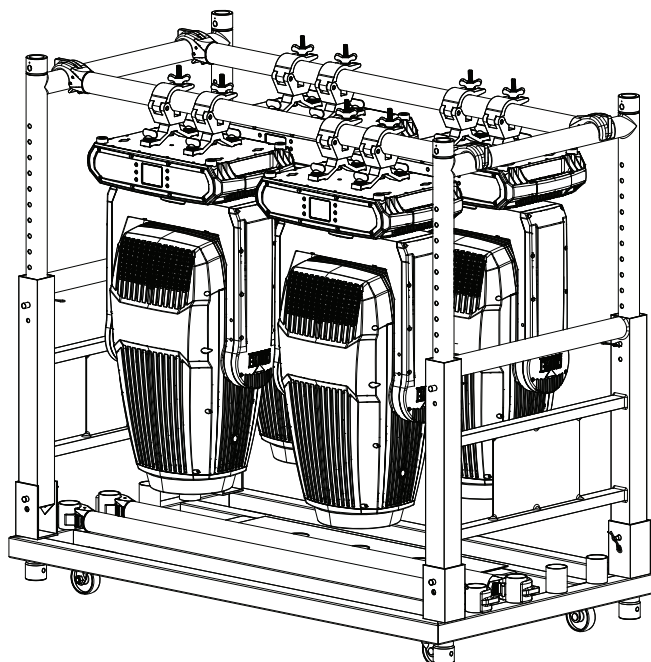
Fixture Parts	Torque Rating (Kgf.cm)	Torque Rating (lgb.in)
Screws inside feet	15.3	13.3
Base screws around outside (not the feet)	16.3	14.16
Base screws in middle	35.6	90.9
Omega bracket holder	12.2	10.6
Front and rear base cover	25.5	22.1
Screws around power and data ports	3.5	3
Fuse	7.1	6.1
Center of yoke plate	25.5	22.1
Arm cover screws	25.5	22.1
Allen Key screws next to front lens	25.5	22.1
Allen Key screws holding in front lens cover	12.2	10.6
Allen Key screws next to heat pipes on the back	25.5	22.1
Allen Key screws head covers	25.5	22.1

Vacuum Test Measurements

Use the IP Tester from Chauvet Professional to ensure the product has been reassembled correctly by following the information below:

Parameters	Values
Method	Positive
Test pressure	2.18 kPa
Test duration	60 seconds
PASS state leak pressure	<0.02 kPa

Transporting on Truss or Racks



When transporting fixtures in pre-rigged truss and transportation racks, mount fixtures in the vertical position with the lenses facing down and the pan and tilt locks engaged. This is to prevent undue stress on the tilt locks and limit the amount of off-axis bounce on internal components.

Technical Specifications

6. Technical Specifications

Dimensions and Weight

Length	Width	Height	Weight
9.92 in (252 mm)	15.28 in (388 mm)	27.52 in (699 mm)	67.0 lb (30.4 kg)

Note: Dimensions in inches are rounded.

Power

Power Supply Type	Range	Voltage Selection
Switching (internal)	100 to 240 VAC, 50/60 Hz	Auto-ranging

Parameter	100 V, 60 Hz	120 V, 60 Hz	208 V, 60 Hz	230 V, 50 Hz	240 V, 50 Hz
Consumption	853 W	837 W	823 W	822 W	821 W
Operating Current	8.55 A	6.97 A	3.97 A	3.59 A	3.45 A
Fuse/Breaker	F15 A, 250 V	F15 A, 250 V	F15 A, 250 V	F15 A, 250 V	F15 A, 250 V

Power I/O	U.S./Worldwide	UK/Europe
Power Input Connector	bare wire to proprietary IP65 power cable	bare wire to proprietary IP65 power cable
Power Cable Plug	proprietary IP65 power cable	proprietary IP65 power cable

Light Source

Type	Color	Quantity	Power	Current	Lifespan
LED	Cool White	1	580 W	4.2 A	50,000 hours

Photometrics

Beam Angle	Field Angle	Cutoff Angle	Zoom Angle
5.8° to 43.2°	7.2° to 54.2°	7.7° to 56.1°	5.8° to 56.1°

Illuminance @ 5 m (6.8°)	Illuminance @ 5 m (54.8°)
71,933 lux	2,580 lux

Thermal

Maximum External Temperature	Cooling System
113 °F (45 °C)	Fan-assisted Convection

Control

DMX I/O Connector	Ethernet I/O Connector	Channel Range
bare wire to proprietary IP65 cable	bare wire to proprietary IP65 cable	32 or 48

Ordering

Product Name	Item Name	Item Code	UPC Number
Maverick Storm 2 Profile M	MAVERICKSTORM2PROFILEM	08012246	781462225940



UL 1573
CSA C22.2 No. 166
E113093



Contact Us

General Information	Technical Support
Chauvet World Headquarters	
Address: 3360 Davie Rd., Suite 509 Davie, FL 33314 Voice: (954) 577-4455 Fax: (954) 929-5560 Toll Free: (800) 762-1084	Voice: (844) 393-7575 Fax: (954) 756-8015 Email: chauvetcs@chauvetlighting.com Website: www.chauvetprofessional.com
Chauvet U.K.	
Address: Pod 1 EVO Park Little Oak Drive, Sherwood Park Nottinghamshire, NG15 0EB UK Voice: +44 (0) 1773 511115 Fax: +44 (0) 1773 511110	Email: UKtech@chauvetlighting.eu Website: www.chauvetprofessional.eu
Chauvet Benelux	
Address: Stokstraat 18 9770 Kruishoutem Belgium Voice: +32 9 388 93 97	Email: BNLtech@chauvetlighting.eu Website: www.chauvetprofessional.eu
Chauvet France	
Address: 3, Rue Ampère 91380 Chilly-Mazarin France Voice: +33 1 78 85 33 59	Email: FRtech@chauvetlighting.fr Website: www.chauvetprofessional.eu
Chauvet Germany	
Address: Bruno-Bürgel-Str. 11 28759 Bremen Germany Voice: +49 421 62 60 20	Email: DEtech@chauvetlighting.de Website: www.chauvetprofessional.eu
Chauvet Mexico	
Address: Av. de las Partidas 34 - 3B (Entrance by Calle 2) Zona Industrial Lerma Lerma, Edo. de México, CP 52000 Voice: +52 (728) 690-2010	Email: servicio@chauvet.com.mx Website: www.chauvetprofessional.mx

Warranty & Returns

For warranty terms and conditions and return information, please visit our website.

For customers in the United States and Mexico: www.chauvetlighting.com/warranty-registration.

For customers in the United Kingdom, Republic of Ireland, Belgium, the Netherlands, Luxembourg, France, and Germany: www.chauvetlighting.eu/warranty-registration.