

# MAVERICK SILENS 2X PROFILE

## User Manual



Model ID: MAVERICKSILENS2XPROFILE

**CHAUVET**  
PROFESSIONAL

## Edition Notes

The Maverick Silens 2X Profile User Manual includes a description, safety precautions, installation, programming, operation and maintenance instructions for the Maverick Silens 2X Profile as of the release date of this edition.

## Trademarks

Chauvet, Chauvet Professional, the Chauvet logo, Maverick, and Maverick Silens are registered trademarks or trademarks of Chauvet & Sons, LLC (d/b/a Chauvet and Chauvet Lighting) in the United States and other countries. Other company and product names and logos referred to herein may be trademarks of their respective companies.

## Copyright Notice

The works of authorship contained in this manual, including, but not limited to, all designs, text, and images are owned by Chauvet.

© Copyright 2024 Chauvet & Sons, LLC. All rights reserved.

Electronically published by Chauvet in the United States of America.

## Manual Use

Chauvet authorizes its customers to download and print this manual for professional information purposes only. Chauvet expressly prohibits the usage, copy, storage, distribution, modification, or printing of this manual or its content for any other purpose without written consent from Chauvet.

## Document Printing

For best results, print this document in color, on letter size paper (8.5 x 11 in), double-sided. If using A4 paper (210 x 297 mm), configure the printer to scale the content accordingly.

## Intended Audience

Any person installing, operating, and/or maintaining this product should completely read through the guide that shipped with the product, as well as this manual, before installing, operating, or maintaining this product.

## Disclaimer

Chauvet believes that the information contained in this manual is accurate in all respects. However, Chauvet assumes no responsibility and specifically disclaims any and all liability to any party for any loss, damage or disruption caused by any errors or omissions in this document, whether such errors or omissions result from negligence, accident or any other cause. Chauvet reserves the right to revise the content of this document without any obligation to notify any person or company of such revision, however, Chauvet has no obligation to make, and does not commit to make, any such revisions.

## Document Revision

Go to [www.chauvetprofessional.com](http://www.chauvetprofessional.com) for the latest version.

Revision	Date	Description
1	06/2024	Initial release

Table of Contents

- 1. Before You Begin** ..... 1
  - What Is Included ..... 1
  - Claims ..... 1
  - Text Conventions ..... 1
  - Symbols ..... 1
  - Safety Notes..... 2
  - FCC Statement of Compliance ..... 3
  - RF Exposure Warning for North America and Australia..... 3
  - Expected LED Lifespan..... 3
- 2. Introduction** ..... 4
  - Description ..... 4
  - Features ..... 4
  - Product Overview ..... 4
  - Product Dimensions ..... 5
- 3. Setup** ..... 6
  - AC Power ..... 6
    - AC Plug ..... 6
    - Fuse Replacement ..... 6
    - Power Linking..... 6
  - Mounting ..... 7
    - Orientation..... 7
    - Rigging ..... 7
    - Procedure..... 7
  - Signal Connections ..... 8
    - Control Personalities ..... 8
    - DMX Linking ..... 8
    - Art-Net™ Connection ..... 8
    - sACN Connection..... 8
    - Remote Device Management..... 8
    - Connection Diagram ..... 8
  - USB Software Update ..... 9
  - Color Wheel ..... 10
  - Rotating Gobo Dimensions ..... 10
  - Gobo Designs ..... 11
  - Gobo Replacement ..... 12
    - Procedure..... 12
    - Gobo Replacement Diagrams ..... 12
- 4. Operation** ..... 13
  - Touchscreen Control Panel..... 13
    - Control Panel Description ..... 13
    - Battery-Powered Display..... 13
  - Home Screen ..... 13
  - Control Panel Lock..... 13
    - Passcode ..... 13
  - Technician Mode..... 13

Menu Map .....	14
Control Configuration .....	18
Control Mode .....	18
Control Personalities .....	18
Starting Address .....	18
Network Setup .....	18
IP Mode .....	18
Universe .....	18
Manual IP Address .....	18
Subnet Mask .....	18
Control Channel Assignments and Values .....	19
Settings Configuration .....	23
Absolute Silent Mode .....	23
Steady Mode .....	23
Red Shift .....	23
Pan Reverse .....	23
Tilt Reverse .....	23
Screen Reverse .....	23
Pan Angle .....	23
Tilt Angle .....	23
Black out on Movement .....	23
Touchscreen Calibration .....	24
Touchscreen Lock .....	24
Swap Pan and Tilt .....	24
CRMX Reset .....	24
Display Backlight Timer .....	24
Loss of Data .....	24
Dimmer Curve .....	24
Dimmer Speed .....	24
LED Frequency .....	24
Preset Selection .....	25
Preset Synchronization .....	25
Reset Function .....	25
Factory Reset .....	25
Test Mode .....	26
Auto Test .....	26
Manual Test .....	26
System Information .....	26
Zero Adjust Mode .....	26
Web Server .....	27
<b>5. Maintenance .....</b>	<b>28</b>
Product Maintenance .....	28
Gobo Maintenance .....	28
Transporting on Truss or Racks .....	29
<b>6. Technical Specifications .....</b>	<b>30</b>
<b>Contact Us .....</b>	<b>31</b>
Warranty & Returns .....	31

## Before You Begin

# 1. Before You Begin

## What Is Included

- Maverick Silens 2X Profile
- Seetronic Powerkon IP65 power cable
- 2 Omega brackets with mounting hardware
- Gel frame and gel frame holder
- Quick Reference Guide

## Claims

Carefully unpack the product immediately and check the container to make sure all the parts are in the package and are in good condition.




If the box or the contents (the product and included accessories) appear damaged from shipping, or show signs of mishandling, notify the carrier immediately, not Chauvet. Failure to report damage to the carrier immediately may invalidate the claim. In addition, keep the box and contents for inspection.

For other issues, such as missing components or parts, damage not related to shipping, or concealed damage, file a claim with Chauvet within 7 days of delivery.

## Text Conventions

Convention	Meaning
<b>1–512</b>	A range of values
<b>50/60</b>	A set of values of which only one can be chosen
<b>Settings</b>	A menu option not to be modified
<b>&lt;ENTER&gt;</b>	A key to be pressed on the product's control panel

## Symbols

Symbol	Meaning
	Critical installation, configuration, or operation information. Not following these instructions may make the product not work, cause damage to the product, or cause harm to the operator.
	Important installation or configuration information. The product may not function correctly if this information is not used.
	Useful information.



The term “DMX” used throughout this manual refers to the USITT DMX512-A digital data transmission protocol.

## Safety Notes

Read all the following safety notes before working with this product. These notes contain important information about the installation, usage, and maintenance of this product.



**This product contains no user-serviceable parts. Any reference to servicing in this User Manual will only apply to properly trained, certified technicians. Do not open the housing or attempt any repairs.**



**All applicable local codes and regulations apply to proper installation of this product.**

- The luminaire is intended for professional use only.
- The luminaire should be positioned so that prolonged staring into the luminaire at a distance closer than 7.5 ft (2.3 m) is not expected.
- If the external flexible cable or cord of this luminaire is damaged, it shall be replaced by a special cord or cord exclusively available from the manufacturer or its service agent.
- The light source contained in this luminaire shall only be replaced by the manufacturer or its service agent or a similar qualified person.
- **CAUTION:**
  - This product's housing may be hot when operating. Mount this product in a location with adequate ventilation, at least 20 in (50 cm) from adjacent surfaces.
  - When transferring the product from extreme temperature environments, (e.g., cold truck to warm humid ballroom) condensation may form on the internal electronics of the product. To avoid causing a failure, allow the product to fully acclimate to the surrounding environment before connecting it to power.
  - Flashing light is known to trigger epileptic seizures. User must comply with local laws regarding notification of strobe use.
- **ALWAYS:**
  - Disconnect from power before cleaning the product or replacing the fuse.
  - Replace the fuse with the same type and rating.
  - Use a safety cable when mounting this product overhead.
  - Connect this product to a grounded and protected circuit.
- **DO NOT:**
  - Open this product. It contains no user-serviceable parts.
  - Look at the light source when the product is on.
  - Leave any flammable material within 20 cm of this product while operating or connected to power.
  - Connect this product to a dimmer or rheostat.
  - Operate this product if the housing, lenses, or cables appear damaged.
  - Operate this product outdoors or in any location where dust, excessive heat, water, or humidity may affect it (adhere to standards for the published IP rating).
- **ONLY** use the handles or the hanging/mounting brackets to carry this product.
- The maximum ambient temperature is 113 °F (45 °C). Do not operate this product at higher temperatures.
- The minimum startup temperature is -4°F (-20°C). Do not start the product at lower temperatures.
- The minimum ambient temperature is -22°F (-30°C). Do not operate the product at lower temperatures.
- To eliminate unnecessary wear and improve its lifespan, during periods of non-use completely disconnect the product from power via breaker or by unplugging it.
- In the event of a serious operating problem, stop using immediately.



**If a Chauvet product requires service, contact Chauvet Technical Support.**

## Before You Begin

---

### FCC Statement of Compliance

This device complies with Part 15 Part B of the FCC rules. Operation is subject to the following two conditions:

1. This device may not cause harmful interference, and
2. This device must accept any interference received, including interference that may cause undesired operation.

This equipment has been tested and found to comply with the limits for a Class B digital device, pursuant to Part 15 of the FCC Rules. These limits are designed to provide reasonable protection against harmful interference in a residential installation. This equipment generates uses and can radiate radio frequency energy and, if not installed and used in accordance with the instructions, may cause harmful interference to radio communications. However, there is no guarantee that interference will not occur in a particular installation. If this equipment does cause harmful interference to radio or television reception, which can be determined by turning the equipment off and on, the user is encouraged to try to correct the interference by one or more of the following measures:

- Reorient or relocate the receiving antenna.
- Increase the separation between the equipment and receiver.
- Connect the equipment into an outlet on a circuit different from that to which the receiver is connected.
- Consult the dealer or an experienced radio/TV technician for help.

Any changes or modifications not expressly approved by the party responsible for compliance could void the user's authority to operate the equipment.

### RF Exposure Warning for North America and Australia

**Warning!** This equipment complies with FCC radiation exposure limits set forth for an uncontrolled environment. This equipment should be installed and operated with a minimum distance of 20 cm between the radiator and the user. This transmitter must not be co-located or operating in conjunction with any other antenna or transmitter.

### Expected LED Lifespan

Over time, use and heat will gradually reduce LED brightness. Clustered LEDs produce more heat than single LEDs, contributing to shorter lifespans if always used at full intensity. The average LED lifespan is 40,000 to 50,000 hours. To extend LED lifespan, maintain proper ventilation around the product, and limit the overall intensity.

## 2. Introduction

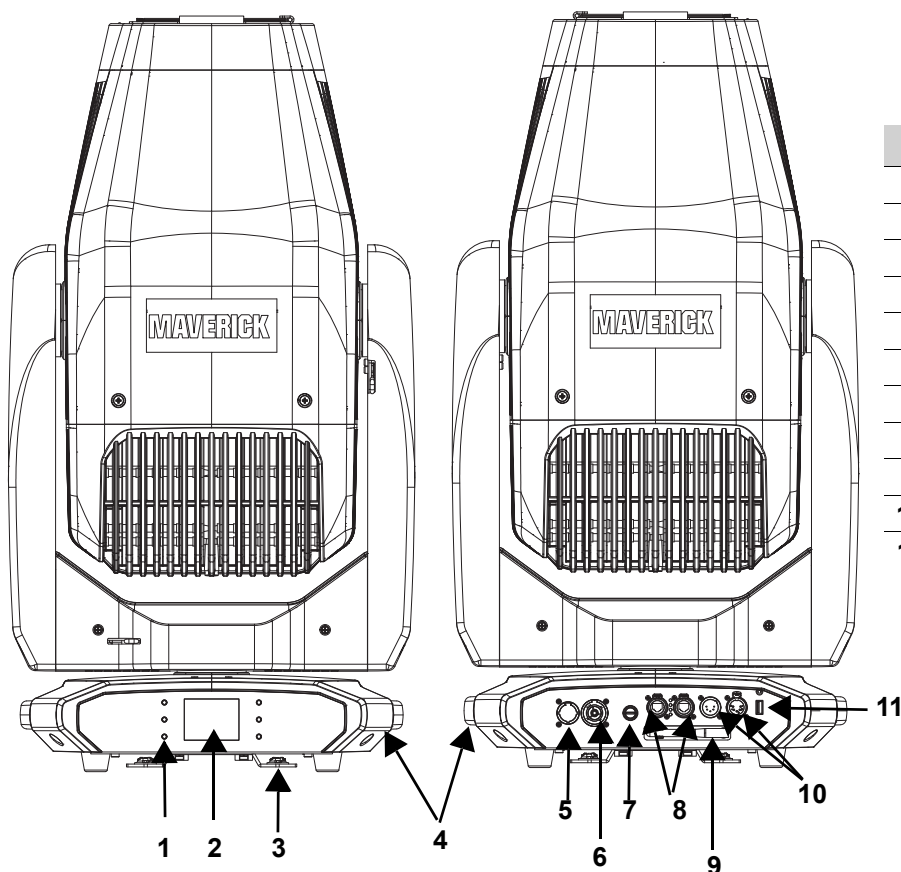
### Description

This member of the award-winning Silens range offers the highest quality of light, including a 760 W cool white LED source, flawless 16-bit dimming, with selectable red shift and dimming curves. It also boasts precise 4-blade shutter framing and accurate color rendering. The fanless design and silent operation is most suited for theatre and studio applications, and features dual gobo wheels (rotating + static), variable CMY + CTO, and a full effects wheelhouse. Control protocols include Art-Net, sACN, DMX, RDM, or CRMX.

### Features

- Completely silent, fully featured 760 W 94+ CRI LED yoke profile fixture, including CMY+CTO color mixing, a four-blade framing shutter system with rotation, a color wheel, animation wheel, a 10:1 zoom, prism, variable frost, as well as static and rotating gobo wheels.
- 100% convection cooled for zero fan noise along with silent motion and effects
- 16-bit dimming with selectable red shift of master dimmer for smooth control of fades
- +/-green adjustment for on camera hue correction
- Variable CMY + CTO color mixing system to create a wide pallet of colors
- One rotating and one static gobo wheel with unique, theatrical based designs
- Interchangeable gobos between rotating and static wheels
- Variable frost system
- + or - 60 degrees rotation framing shutter system to allow for better framing positioning.
- Animation wheel for enhanced visual effects
- Iris for total beam control
- RDM control over DMX for fixture reporting
- 5.5° to 57.9° zoom angle for variable beam sizes
- TRUE1-compatible power input and throughput
- Battery backup display with auto-rotate depending on fixture orientation

### Product Overview

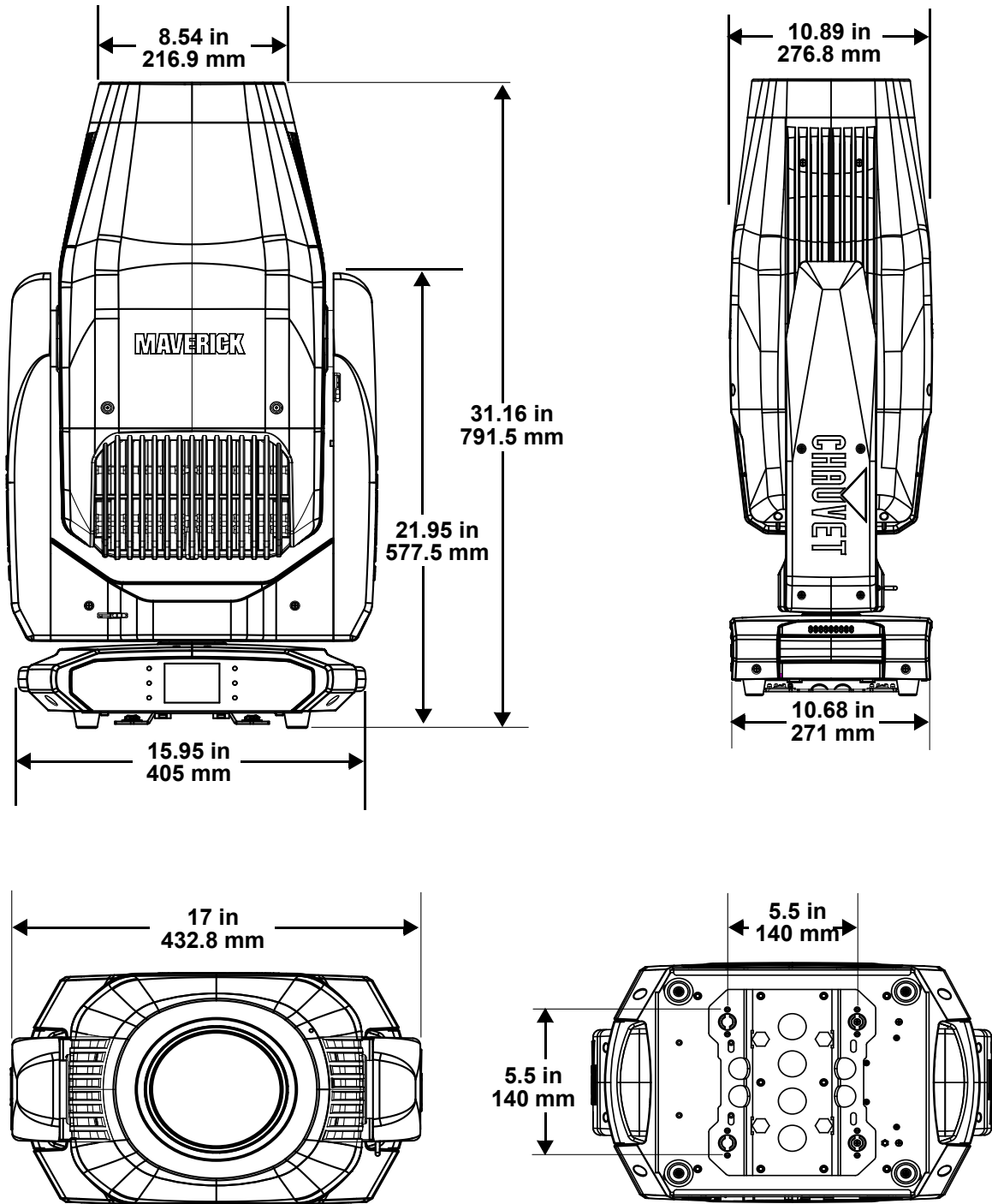


#	Name
1	Menu buttons
2	LCD display
3	Mounting bracket
4	Carry handles
5	Power in
6	Power out
7	Fuse holder
8	Ethernet ports
9	Antenna
10	5-pin DMX in/out
11	USB port



Introduction

Product Dimensions



### 3. Setup

#### AC Power

The Maverick Silens 2X Profile has an auto-ranging power supply and it can work with an input voltage range of 100 to 240 VAC, 50/60 Hz.

To determine the product's power requirements (circuit breaker, power outlet, and wiring), use the current value listed on the label affixed to the product's back panel, or refer to the product's specifications chart. The listed current rating indicates the product's average current draw under normal conditions.



- **Always connect the product to a protected circuit (a circuit breaker or fuse). Make sure the product has an appropriate electrical ground to avoid the risk of electrocution or fire.**
- **To eliminate unnecessary wear and improve its lifespan, during periods of non-use completely disconnect the product from power via breaker or by unplugging it.**



**Never connect the product to a rheostat (variable resistor) or dimmer circuit, even if the rheostat or dimmer channel serves only as a 0 to 100% switch.**

#### AC Plug

The Maverick Silens 2X Profile comes with a power input cable terminated with a Seetronic Powerkon A connector on one end and an Edison plug on the other end (U.S. market). If the cable has no plug or it is necessary to change the plug, use the table below to wire a plug.

Connection	Wire (U.S.)	Wire (Europe)	Screw Color
AC Live	Black	Brown	Yellow or Brass
AC Neutral	White	Blue	Silver
AC Ground	Green/Yellow	Green/Yellow	Green

#### Fuse Replacement

1. Disconnect this product from the power outlet.
2. Using a flat-head screwdriver, unscrew the fuse holder cap from the housing.
3. Remove the blown fuse and replace with another fuse of the same type and rating (T 10 A, 250 V).
4. Screw the fuse holder cap back in place and reconnect power.

#### Power Linking

It is possible to power link Maverick Silens 2X Profile products. See the table below for the current draw at each voltage and frequency:

	100 V, 60 Hz	120 V, 60 Hz	208 V, 60 Hz	230 V, 50 Hz	240 V, 50 Hz
<b>Current Draw</b>	6.53 A	5.45 A	3.10 A	2.82 A	2.75 A

Never exceed 12 A on a single circuit. Power-linking cables can be purchased separately.

## Setup

### Mounting

Before mounting the product, read and follow the safety recommendations indicated in the Safety Notes. For the Chauvet Professional line of mounting clamps, go to <http://trusst.com/products/>.

### Orientation

Always mount this product in a safe position, making sure there is adequate room for ventilation, configuration, and maintenance.

### Rigging

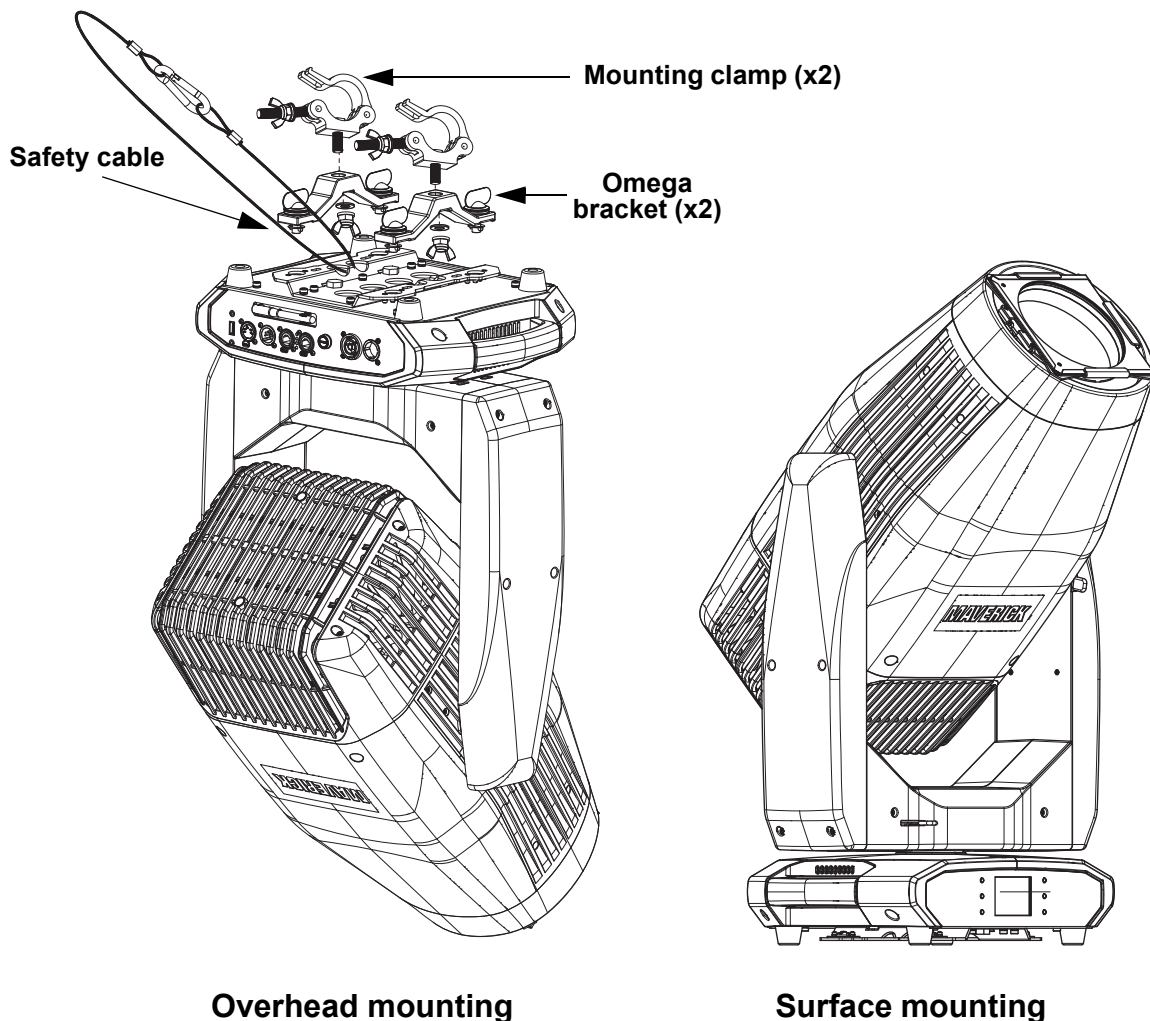
Chauvet recommends using the following general guidelines when mounting this product.

- Before deciding on a location for the product, make sure there is easy access to the product for maintenance and programming purposes.
- Make sure that the structure and attachment points can support the weight before hanging the product (see the [Technical Specifications](#) for weight information).
- When mounting the product overhead, always use a safety cable. Mount the product securely to a rigging point, whether an elevated platform or a truss.
- When rigging the product onto a truss, use a mounting clamp of appropriate weight capacity.

### Procedure

The Maverick Silens 2X Profile comes with 2 Omega brackets to which the user can directly attach mounting clamps (sold separately). Make sure the clamps are capable of supporting the weight of this product. Use at least two mounting points per product. For the Chauvet Professional line of mounting clamps, go to <http://www.trusst.com/products>.

### Mounting Diagram



## Signal Connections

The Maverick Silens 2X Profile can receive a DMX, Art-Net™, or sACN, signal. The Maverick Silens 2X Profile has two Amphenol XLRnet through ports, and 5-pin DMX in and out ports. If using other compatible products with this product, it is possible to control each individually with a single controller.

### Control Personalities

The Maverick Silens 2X Profile uses a 5-pin DMX data connection, CRMX, Art-Net™, or sACN for its four control personalities: **31CH**, **32CH**, **41CH**, and **42CH**.

- Refer to the [Operation](#) chapter to learn how to configure the Maverick Silens 2X Profile to work in these personalities.
- The [Control Channel Assignments and Values](#) section provides detailed information regarding the control personalities.



For more information about DMX standards or the DMX cables needed to link this product to a DMX controller, download the DMX Primer from the Chauvet website: [www.chauvetprofessional.com](http://www.chauvetprofessional.com).

### DMX Linking

The Maverick Silens 2X Profile can link to a DMX controller using a 5-pin DMX connection or a CRMX connection. For more information about DMX, read the DMX primer at: [https://www.chauvetprofessional.com/wp-content/uploads/2016/06/DMX\\_Primer.pdf](https://www.chauvetprofessional.com/wp-content/uploads/2016/06/DMX_Primer.pdf).

### Art-Net™ Connection

Art-Net™ is an Ethernet protocol that uses TCP/IP that transfers a large amount of DMX512 data using an Amphenol XLRnet RJ45 connection over a large network. An Art-Net™ protocol document is available from [www.chauvetprofessional.com](http://www.chauvetprofessional.com).

Art-Net™ designed by and copyright Artistic Licence Holdings Ltd.

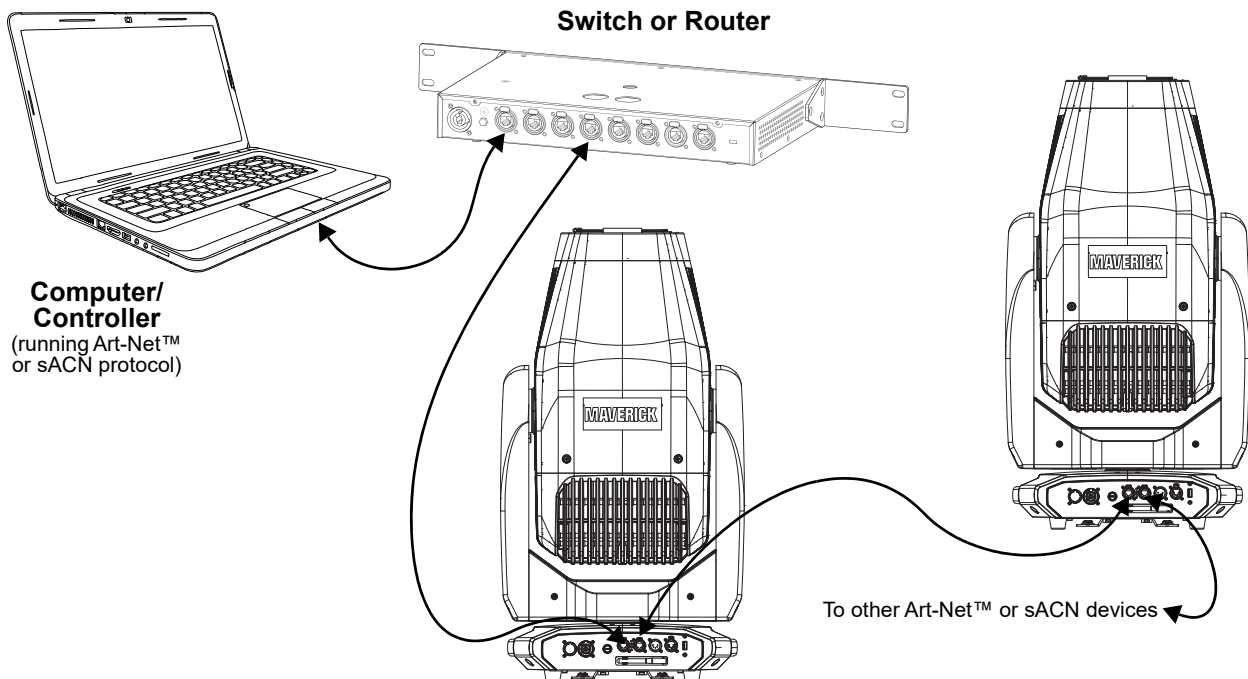
### sACN Connection

Streaming ACN (Architecture for Control Networks), also known as ANSI E1.31, is an Ethernet protocol that uses the layering and formatting of ACN to transport DMX512 data over IP or any other ACN-compatible network.

### Remote Device Management

Remote Device Management (RDM) is a standard for allowing DMX-enabled devices to communicate bi-directionally along existing DMX cabling. Check the DMX controller's User Manual or with the manufacturer as not all DMX controllers have this capability. The Maverick Silens 2X Profile supports RDM protocol that allows feedback to make changes to menu map options.

### Connection Diagram



## USB Software Update

The Maverick Silens 2X Profile allows for software updates with a USB device using the built-in USB port. To update the software using a USB flash drive, do the following:

1. Power on the product, and plug the flash drive into the USB port.
2. Once the flash drive has been detected, the message "**USB UPDATE**" will be displayed. Select **YES**.
3. The next screen will show the software versions available for this fixture on the USB drive. For multiple versions of the software for the same fixture, use **<UP>** or **<DOWN>** to select the desired version. Press **<ENTER>**.
4. The "**USB UPDATE**" screen will re-appear. Select **YES**.



**It is possible to update multiple units with the USB if they are daisy chained via DMX.**

5. The update will start. **DO NOT** turn off the power or disconnect the USB while the USB LED is still blinking during the process. The screen display will read: "**USB Update Wait**". The update can take several minutes to complete.
  - When the USB firmware is done uploading, in some fixtures, the display will change to: "**DO NOT UNPLUG, UPDATING**".
6. When the update is completed, the fixture will automatically reboot.
7. Go to Fixture Information on the product's menu map and confirm the firmware revision.
8. When the boot-up process is finished, restart the product.

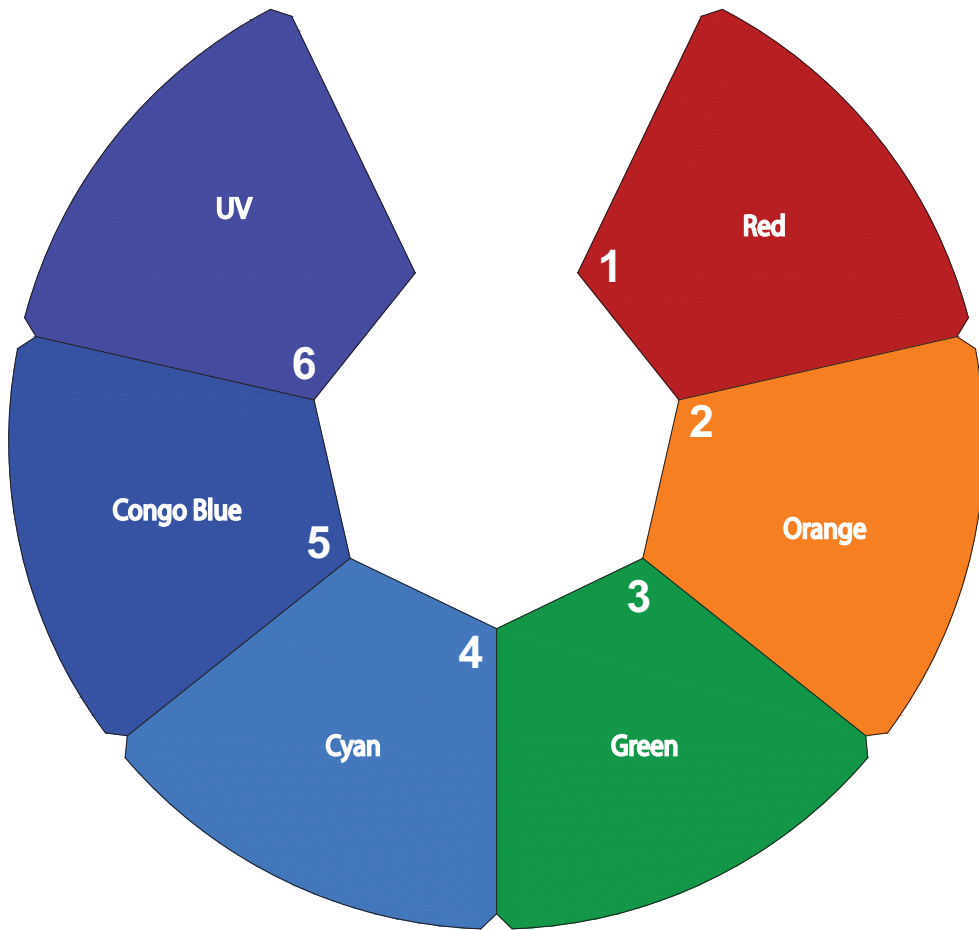


- **Place the .chl file in the root directory of the USB drive.**
- **The product's USB port supports up to 32GB capacity and only works with FAT32 file format.**

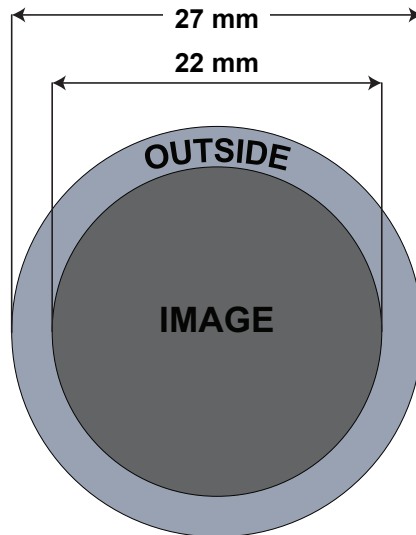


**Turning off the power or removing the USB while the USB LED is still blinking during the update will cause partial or total firmware failure in the targeted fixture(s). If this occurs, the user will need the UPLOAD 08 device to fix this. Please contact Chauvet regarding this device.**

**Color Wheel**



**Rotating Gobo Dimensions**

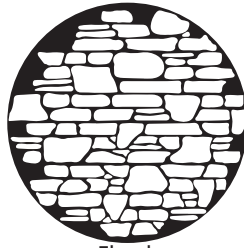


## Gobo Designs

### Rotating gobo wheel



Barking up a flaming river  
(glass gobo)



Floyd  
(glass gobo)



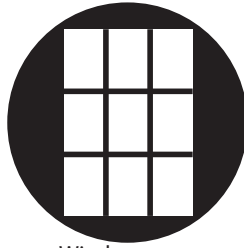
Sparse braches  
(glass gobo)



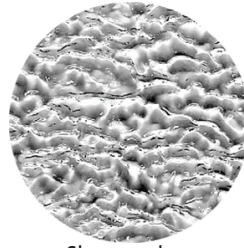
Something linear  
(glass gobo)



Super Max  
(metal or glass gobo)

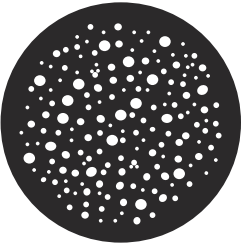


Window pane  
(metal or glass gobo)

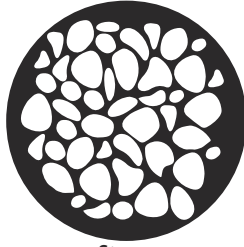


Shower glass  
(textured glass)

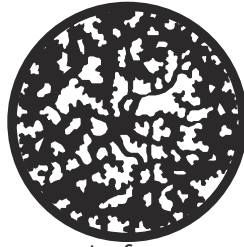
### Static gobo wheel



Dotty  
(glass gobo)



Stones  
(metal or glass gobo)



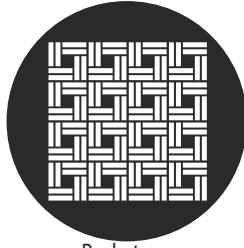
Leafiness  
(metal or glass gobo)



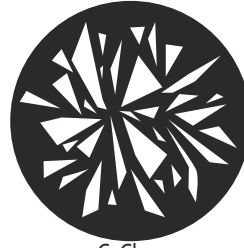
Busted burlap  
(glass gobo)



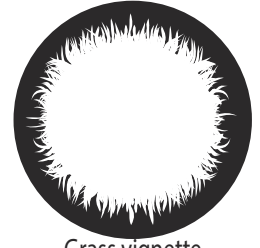
EVH  
(glass gobo)



Basketcase  
(metal or glass gobo)



CaChow  
(metal or glass gobo)



Grass vignette  
(glass gobo)

## Gobo Replacement

The gobos in the Maverick Silens 2X Profile are removable from their gobo holders.



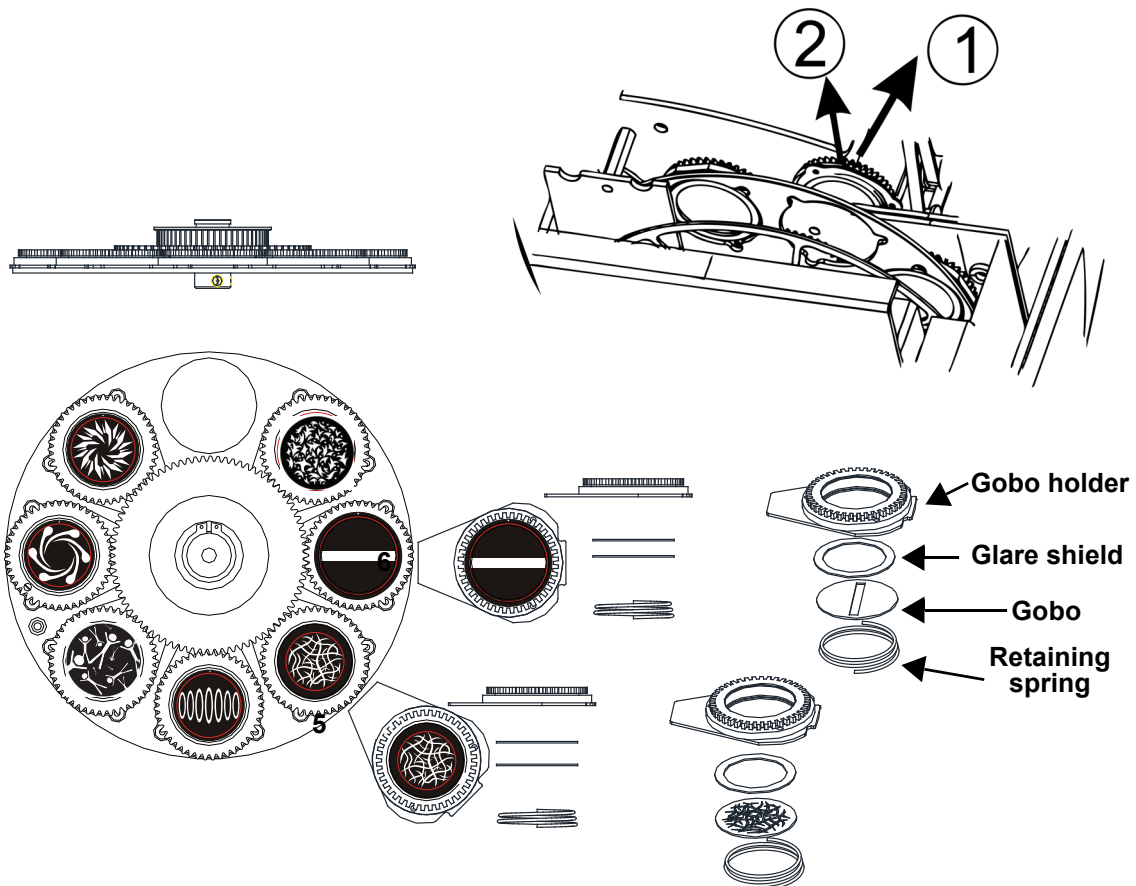
- **Make sure to disconnect the product's power cable before replacing a gobo.**
- **Always replace a gobo with a gobo of the same dimensions.**
- **When inserting a glass gobo, always make sure that the shiny side of the gobo (glass base) faces the lamp. This provides a layer of protection against the high temperature from the lamp.**
- **All custom gobos in the Maverick Silens 2X Profile gobo wheel 1 must be aluminum or glass.**

### Procedure

Follow the recommended procedure below to remove or replace the gobos:

1. Turn the product off and disconnect it from the power outlet.
2. Open the head cover by loosening the screws on the sides of the top cover.
3. Separate the gobo holder away from the gobo wheel by pushing it toward the front of the moving head (see direction 1 in the diagram). Be careful not to push the gobo out of the gobo holder.
4. Extract the gobo holder by pulling it outward (see direction 2 in the diagram).
5. On a flat surface, remove the expansion ring that holds the gobo in place and remove the gobo from the gobo holder.
6. Insert a new gobo and hold it in place with the expansion ring.
7. Slide the tip of the gobo holder under the pressure plate near the center of the gobo wheel.
8. Push the gobo holder inwards. **DO NOT** force the gobo holder into the gobo wheel slot. If correctly installed, the gobo plate should easily slide itself into the gobo wheel slot.

### Gobo Replacement Diagrams



- Gobo illustrations are for reference purposes only. Gobo designs may differ from those installed in the product.
- Gobo holders 5 and 6 are slightly smaller to accommodate glass gobos.
- See [Gobo Maintenance](#) for instructions on how to clean the gobos and gobo holder.



## 4. Operation

### Touchscreen Control Panel

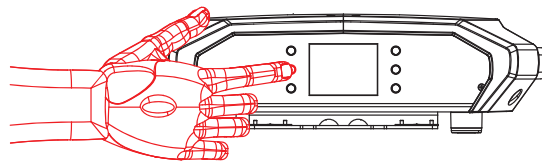
The Maverick Silens 2X Profile has a touchscreen display as well as 6 control buttons. Navigate the menu structure by pressing the buttons, touching the images of the buttons on the sides of the display, or touching the desired menu option on the display directly. The touchscreen can be locked and calibrated through the Setup options in the menu (see [Touchscreen Calibration](#) and [Touchscreen Lock](#).)

#### Control Panel Description

Button	Name	Function
	<UP>	Navigates upwards through the menu list or increases the value when in a function
	<MENU>	Exits from the current menu or function
	<DOWN>	Navigates downwards through the menu list or decreases the value when in a function
	<LEFT>	Navigates leftwards through the menu list
	<ENTER>	Enables the currently displayed menu or sets the selected value into the function
	<RIGHT>	Navigates rightwards through the menu list

#### Battery-Powered Display

The Maverick Silens 2X Profile has a battery-powered display that enables access to the menu when the product is powered off. Press and hold <MENU> until the display activates (approximately 15 seconds).



#### Home Screen

The Maverick Silens 2X Profile has a home screen that shows the current control protocols, personalities, starting addresses, IP addresses, and universes. To see the home screen, press <MENU> repeatedly until it shows on the display. From the home screen, touch any of the displayed control settings to immediately jump to that part of the menu, such as the personality, starting address, or universe, or press <ENTER> to reach the main menu.

#### Control Panel Lock

The setting locks or unlocks the control panel.

1. Go to the **Settings** main level.
2. Select the **Lock Screen** option.
3. Select **No** (control panel stays unlocked) or **Yes** (locks control panel).



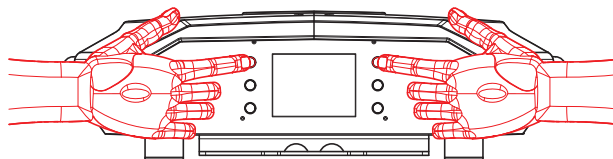
**When the control panel lock is activated, the product will prompt for the passcode in order to access the menu. Enter the passcode as described below.**

#### Passcode

After being prompted to enter the passcode, enter the numbers **0920**.

#### Technician Mode

The technician mode disables the pan/tilt motors, allowing the output of the product to be aimed by hand. To enable the technician mode of the Maverick Silens 2X Profile, hold <UP> and <LEFT> while the product is powering on. When the product is turned off and back on, the pan and tilt will return to normal function.



## Menu Map

Refer to the Maverick Silens 2X Profile product page on [www.chauvetprofessional.com](http://www.chauvetprofessional.com) for the latest software and menu map.

Main Level	Programming Levels		Description
<b>Address</b>	<b>001–512</b>		Sets the starting address
<b>Network Setup</b>	<b>IP Mode</b>	<b>Manual</b>	Manually set IP address
		<b>DHCP</b>	Network sets IP address
		<b>Static</b>	Product sets IP address
	<b>Universe</b>	<b>000–255 (Art-Net™)</b> <b>001–256 (sACN)</b>	Sets the universe
	<b>IP</b>	____.____.____.____ (000–255)	Sets the IP address in Manual mode
	<b>SubMask</b>	____.____.____.____ (000–255)	Sets the Subnet Mask in Manual mode
<b>Personality</b>	<b>32CH</b>		Selects the 32-channel mode
	<b>33CH</b>		Selects the 33-channel mode
	<b>41CH</b>		Selects the 41-channel mode
	<b>42CH</b>		Selects the 42-channel mode
<b>Settings</b>	<b>Control Mode</b>	<b>DMX</b>	Selects the DMX control protocol
		<b>CRMX</b>	Selects Lumenradio CRMX™
		<b>ArtNet</b>	Selects the Art-Net* control protocol
		<b>sACN</b>	Selects the sACN control protocol
	<b>Absolute Silent</b>	<b>No</b>	Disables Absolute Silent mode
		<b>Yes</b>	Enables Absolute Silent mode
	<b>Steady</b>	<b>Off</b>	Disables Steady mode
		<b>Steady Mode 1</b>	Environment temperature 26 °C
		<b>Steady Mode 2</b>	Environment temperature 35 °C
	<b>Red Shift</b>	<b>No</b>	Mimics halogen lamp dimming
		<b>Yes</b>	
	<b>Pan Reverse</b>	<b>No</b>	Normal pan
		<b>Yes</b>	Reversed pan
	<b>Tilt Reverse</b>	<b>No</b>	Normal tilt
		<b>Yes</b>	Reversed tilt
	<b>Screen Reverse</b>	<b>No</b>	Normal screen display
		<b>Yes</b>	Inverted screen display
		<b>Auto</b>	Automatic display orientation
	<b>Pan Angle</b>	<b>540</b>	540° pan range
		<b>360</b>	360° pan range
		<b>180</b>	180° pan range
	<b>Tilt Angle</b>	<b>270</b>	270° tilt range
		<b>180</b>	180° tilt range
		<b>90</b>	90° tilt range
	<b>BL. O. P/T Move</b>	<b>No</b>	Enable/disable blackout while panning/tilting
		<b>Yes</b>	
	<b>BL. O. Color Move</b>	<b>No</b>	Enable/disable blackout while color wheel is moving
		<b>Yes</b>	
	<b>BL. O. Gobo Move</b>	<b>No</b>	Enable/disable blackout while gobo wheels are moving
		<b>Yes</b>	
<b>Touch Calibration</b>	<b>No</b>	Cancel calibration	
	<b>Yes</b>	Calibrate touchscreen	
<b>Touch Lock</b>	<b>No</b>	Touchscreen enabled	
	<b>Yes</b>	Touchscreen disabled	
<b>Lock Screen</b>	<b>No</b>	Lock the buttons	
	<b>Yes</b>	Passcode: <b>0920</b>	
<b>Swap XY</b>	<b>No</b>	Do not swap pan and tilt	
	<b>Yes</b>	Pan controls tilt, tilt controls pan	

Main Level	Programming Levels		Description	
Settings	CRMX Reset	No	Do not reset CRMX	
		Yes	Reset CRMX	
	Display Timeout	30S	Display turns off after 30 seconds	
		1M	Display turns off after 1 minute	
		2M	Display turns off after 2 minutes	
		ON	Display stays on	
	Loss of Data	Hold	Holds last signal received	
		Close	Blacks out fixture	
	Dimmer Curve	Linear Square I Squa SCurve	Sets the dimmer curve	
	Dimmer Speed	Fast	Sets the dimmer speed	
		Smooth		
	LED Frequency	20000Hz	Set the LED Frequency	
		40000Hz		
	Preset Select	Preset A Preset B Preset C	Recorded preset menu options	
	Preset Sync	No	Transfers recorded preset menu options to other Maverick Silens 2X Profile fixtures in the DMX daisy chain	
		Yes		
	Reset Function	Pan/Tilt	No Yes	Reset individual functions or all functions from start-up
		Iris/Prism		
		Color/CMY		
		Shutters		
Gobo/ Gobo Rotate				
Frost				
Animation				
Zoom				
Entire Fixture				
Factory Settings	No	Reset to factory default settings		
	Yes			
Upgrade Firmware	Only This Fixture	-----_CHL	Selects an update file for this product, or shows “No such file!”	
		...		
	Multiple Fixture	-----_CHL	Selects an update file for this and connected Maverick Silens 2X Profile products, or shows “No such file!”	
		...		
Other Fixture Type	-----_CHL	Selects an update file for other connected products, or shows “No such file!”		
	...			
Fixture to Fixture	make sure no other signal, Network or DMX controller is being sent! and press enter key to start update	Downloads update file from another Maverick Silens 2X Profile Driver via DMX		

Main Level	Programming Levels		Description	
Test	Auto Test	No Yes	Auto test all functions	
	Manual Test	Pan	000–255	Manually control and test all settings through the control panel
		Pan Fine		
		Tilt		
		Tilt Fine		
		Pan/Tilt Speed		
		Dimmer		
		Dimmer Fine		
		Shutter/ Strobe		
		Virtual Strobe		
		Cyan		
		Magenta		
		Yellow		
		CTO		
		Color		
		Hue Adjustment		
		Red Shift		
		Rot Gobo		
		Gobo Rot		
		Gobo Rot Fine		
		Static Gobo		
		Animation Engage		
		Animation Rotate		
		Shutter Rot		
		Shutter 1-1		
		Shutter 1-2		
		Shutter 2-1		
		Shutter 2-2		
		Shutter 3-1		
		Shutter 3-2		
Shutter 4-1				
Shutter 4-2				
Focus				
Focus Fine				
Auto Focus				
Zoom				
Zoom Fine				
Prism				
Prism Rot				
Iris				
Frost				
Frost Fine				
Control				

Main Level	Programming Levels		Description	
Information	Fixture Information	Ver	V_._ _ _ _ _ _	Shows firmware version
		DMX Address	_ _ _ _	Shows current starting address
		Personality	_ _ _ _	Shows current personality
		Temperature	_ _ _ C / _ _ _ F	Shows current product temperature
		Fixture Hours	_ _ _ _ _ _	Shows hours product has been on
		IP Address	_ _ _ _ . _ _ _ . _ _ _ . _ _ _	Shows current IP address
		Subnet Mask	_ _ _ _ . _ _ _ . _ _ _ . _ _ _	Shows current Subnet Mask
		MAC	_ _ : _ _ : _ _ - _ _ - _ _ - _ _	Shows current MAC address
		UID	_ _ _ _ _ _ _ _	Shows product UID
	Error Information	_ _ _ _ _	Shows any errors, or No Error!	
	DMX Value Information	Frequency	000–255	Shows all current values from input signals
		Pan		
		Pan Fine		
		Tilt		
		Tilt Fine		
		Pan/Tilt Speed		
		Dimmer		
		Dimmer Fine		
		Shutter/Strobe		
		Virtual Strobe		
		Cyan		
		Magenta		
		Yellow		
		CTO		
		Color		
		Hue Adjustment		
		Red Shift		
Rot Gobo				
Gobo Rot				
Gobo Rot Fine				
Static Gobo				
Animation Engage				
Animation Rotate				
Shutters Rot				
Shutter 1-1				
Shutter 1-2				
Shutter 2-1				
Shutter 2-2				
Shutter 3-1				
Shutter 3-2				
Shutter 4-1				
Shutter 4-2				
Focus				
Focus Fine				
Auto Focus				
Zoom				
Zoom Fine				
Prism				
Prism Rot				
Iris				
Frost				
Frost Fine				
Control				

## Control Configuration

Use control configurations to operate the product with a DMX, Art-Net™, or sACN controller.

### Control Mode

The Maverick Silens 2X Profile works with wired DMX, CRMX, Art-Net™, and sACN control signals. To select which protocol to use:

1. Go to the **Settings** main level.
2. Select the **Control Mode** option.
3. Select the desired protocol, from **DMX**, **ArtNet**, **sACN**, or **WDMX**.

### Control Personalities

To set the control personality:

1. Go to the **Personality** main level.
2. Select the desired personality, from **32CH**, **33CH**, **41CH**, or **42CH**.



- See the [Starting Address](#) section for the highest selectable starting address for each personality.
- Make sure that the starting addresses on the various products do not overlap due to the new personality setting.

### Starting Address

Each product will respond to a unique starting address from the controller. All products with the same starting address will respond in unison. To set the starting address:

1. Go to the **Address** main level.
2. Select the starting address (**001–512**).
  - The highest recommended starting address for **32CH** is **481**.
  - The highest recommended starting address for **33CH** is **480**.
  - The highest recommended starting address for **41CH** is **472**.
  - The highest recommended starting address for **42CH** is **471**.

## Network Setup

The Network Setup settings control the IP address, subnet mask, and universe of the product.

### IP Mode

To choose how the IP address is set:

1. Go to the **Network Setup** main level.
2. Select the **IP Mode** option.
3. Select the desired IP mode, from **Manual** (to set a custom IP address), **DHCP** (the IP address is assigned by the connected network), or **Static** (the product uses a default, preset IP address).

### Universe

To assign an Art-Net™ or sACN universe to the Maverick Silens 2X Profile:

1. Go to the **Network Setup** main level.
2. Select the **Universe** option.
3. Set the universe, from **000–255** (for Art-Net™) or from **001–256** (for sACN).

### Manual IP Address

To set the IP address when the **IP Mode** is set to **Manual**:

1. Go to the **Network Setup** main level.
2. Select the **IP** option.
3. Set the 4 values of the IP address from **000–255**.

### Subnet Mask

To set the subnet mask:

1. Go to the **Network Setup** main level.
2. Select the **SubMask** option.
3. Set the 4 values of the subnet mask from **000–255**.

## Control Channel Assignments and Values

32CH	33CH	41CH	42CH	Function	Value	Percent/Setting
1	1	1	1	Pan	000 ⇄ 255	0–100%
2	–	2	2	Fine pan	000 ⇄ 255	Fine control (16-bit)
3	2	3	3	Tilt	000 ⇄ 255	0–100%
4	–	4	4	Fine tilt	000 ⇄ 255	Fine control (16-bit)
–	3	5	5	Pan/tilt speed	000 ⇄ 255	Fast to slow
5	–	6	6	Dimmer	000 ⇄ 255	0–100%
–	4	7	7	Fine dimmer	000 ⇄ 255	Fine control (16-bit)
6	5	8	8	Strobe	000 ⇄ 010	No function (shutter open)
					011 ⇄ 082	Shutter effect, slow to fast
					083 ⇄ 093	No function (shutter open)
					094 ⇄ 163	Pulse effect in sequences
					164 ⇄ 174	No function (shutter open)
					175 ⇄ 223	Random shutter effect, slow to fast
					224 ⇄ 255	No function (shutter open)
–	6	9	9	Virtual strobe	000 ⇄ 004	No function
					005 ⇄ 010	Section 1 on
					011 ⇄ 015	Section 2 on
					016 ⇄ 020	Section 3 on
					021 ⇄ 025	Section 4 on
					026 ⇄ 030	Section 5 on
					031 ⇄ 070	Step between sections 1, 2, 3, 4, 5 clockwise, fast to slow
					071 ⇄ 075	Stop
					076 ⇄ 116	Step between sections 1, 5, 4, 3, 2 counterclockwise, slow to fast
					117 ⇄ 121	Stop
					122 ⇄ 162	Fade between sections 1, 2, 3, 4, 5 clockwise, fast to slow
163 ⇄ 167	Stop					
168 ⇄ 208	Fade between sections 1, 5, 4, 3, 2 counterclockwise, slow to fast					
209 ⇄ 255	No function					
7	7	10	10	Cyan	000 ⇄ 255	0–100%
8	8	11	11	Magenta	000 ⇄ 255	0–100%
9	9	12	12	Yellow	000 ⇄ 255	0–100%
10	10	13	13	CTO	000 ⇄ 255	0–100%
11	11	14	14	Color wheel (see <a href="#">Color Wheel</a> )	000 ⇄ 004	Open
					005 ⇄ 009	Red
					010 ⇄ 013	Orange
					014 ⇄ 018	Dark green
					019 ⇄ 022	Cyan
					023 ⇄ 027	Congo blue
					028 ⇄ 031	UV
					032 ⇄ 187	Split color
					188 ⇄ 219	Color scroll, fast to slow
					220 ⇄ 223	Stop
224 ⇄ 255	Reverse color scroll, slow to fast					
–	–	15	15	Hue adjustment	000 ⇄ 127	-25 to 0 Green
					128 ⇄ 255	0 to +25 Green

32CH	33CH	41CH	42CH	Function	Value	Percent/Setting
-	-	16	16	<b>Red Shift</b>	000 ⇔ 010 011 ⇔ 127 128 ⇔ 255	No function Red Shift off Red Shift on
12	12	17	17	<b>Rotating gobo wheel</b> (see <a href="#">Gobo Designs</a> )	000 ⇔ 005 006 ⇔ 010 011 ⇔ 015 016 ⇔ 020 021 ⇔ 025 026 ⇔ 030 031 ⇔ 035 036 ⇔ 040 041 ⇔ 055 056 ⇔ 070 071 ⇔ 085 086 ⇔ 100 101 ⇔ 115 116 ⇔ 130 131 ⇔ 145 146 ⇔ 200 201 ⇔ 255	Open Gobo 1 (Barking up a flaming river) Gobo 2 (Floyd) Gobo 3 (Sparse branches) Gobo 4 (Something linear) Gobo 5 (Super max) Gobo 6 (Windowpane) Gobo 7 (Shower glass) Gobo 1 shaking, slow to fast Gobo 2 shaking, slow to fast Gobo 3 shaking, slow to fast Gobo 4 shaking, slow to fast Gobo 5 shaking, slow to fast Gobo 6 shaking, slow to fast Gobo 7 shaking, slow to fast Gobo scroll, static to fast Reverse gobo scroll, static to fast
13	13	18	18	<b>Gobo 1 rotation</b>	000 ⇔ 191 192 ⇔ 221 222 ⇔ 225 226 ⇔ 255	Gobo indexing Gobo rotation, fast to slow Stop Reverse gobo rotation, slow to fast
-	-	19	19	<b>Gobo 1 fine indexing</b>	000 ⇔ 255	Gobo fine indexing
14	14	20	20	<b>Static gobo wheel</b> (see <a href="#">Gobo Designs</a> )	000 ⇔ 005 006 ⇔ 010 011 ⇔ 015 016 ⇔ 020 021 ⇔ 025 026 ⇔ 030 031 ⇔ 035 036 ⇔ 040 041 ⇔ 045 046 ⇔ 060 061 ⇔ 075 076 ⇔ 090 091 ⇔ 105 106 ⇔ 120 121 ⇔ 135 136 ⇔ 150 151 ⇔ 165 166 ⇔ 210 211 ⇔ 255	Open Gobo 1 (Dotty) Gobo 2 (Stones) Gobo 3 (Leafiness) Gobo 4 (Busted burlap) Gobo 5 (EVH) Gobo 6 (Basketcase) Gobo 7 (CaChow) Gobo 8 (Grass vignette) Gobo 1 shaking, slow to fast Gobo 2 shaking, slow to fast Gobo 3 shaking, slow to fast Gobo 4 shaking, slow to fast Gobo 5 shaking, slow to fast Gobo 6 shaking, slow to fast Gobo 7 shaking, slow to fast Gobo 8 shaking, slow to fast Gobo scroll, static to fast Reverse gobo scroll, static to fast
-	15	-	21	<b>Animation engage</b>	000 ⇔ 127 128 ⇔ 255	Animation excluded Animation inserted



# Operation



32CH	33CH	41CH	42CH	Function	Value	Percent/Setting
15	16	21	22	Animation wheel	000 ⇔ 003	No function
					004 ⇔ 127	Clockwise, fast to slow
					128 ⇔ 131	Stop
					132 ⇔ 255	Counterclockwise, slow to fast
16	17	22	23	Framing shutter rotation	000 ⇔ 127	Rotation, left to center
					128	Center
					129 ⇔ 255	Rotation, center to right
17	18	23	24	Framing shutter 1 movement	000 ⇔ 255	Movement from outward to inward
18	19	24	25	Framing shutter 1 swivel	000 ⇔ 127	Swiveling, from -25° to 0°
					128	0°
					129 ⇔ 255	Swiveling, from 0° to 25°
19	20	25	26	Framing shutter 2 movement	000 ⇔ 255	Movement from outward to inward
20	21	26	27	Framing shutter 2 swivel	000 ⇔ 127	Swiveling, from -25° to 0°
					128	0°
					129 ⇔ 255	Swiveling, from 0° to 25°
21	22	27	28	Framing shutter 3 movement	000 ⇔ 255	Movement from outward to inward
22	23	28	29	Framing shutter 3 swivel	000 ⇔ 127	Swiveling, from -25° to 0°
					128	0°
					129 ⇔ 255	Swiveling, from 0° to 25°
23	24	29	30	Framing shutter 4 movement	000 ⇔ 255	Movement from outward to inward
24	25	30	31	Framing shutter 4 swivel	000 ⇔ 127	Swiveling, from -25° to 0°
					128	0°
					129 ⇔ 255	Swiveling, from 0° to 25°
25	26	31	32	Focus	000 ⇔ 255	0–100%
–	–	32	33	Fine focus	000 ⇔ 255	Fine control (16-bit)
–	–	33	34	Auto focus	000 ⇔ 000	Auto focus off
					001 ⇔ 007	Main auto focus - 4 m
					008 ⇔ 015	Main auto focus - 6 m
					016 ⇔ 023	Main auto focus - 8 m
					024 ⇔ 031	Main auto focus - 10 m
					032 ⇔ 039	Main auto focus - 12 m
					040 ⇔ 047	Main auto focus - 14 m
					048 ⇔ 055	Main auto focus - 16 m
					056 ⇔ 063	Main auto focus - 18 m
					064 ⇔ 071	Gobo wheel auto focus - 4 m
					072 ⇔ 079	Gobo wheel auto focus - 6 m
					080 ⇔ 087	Gobo wheel auto focus - 8 m
					088 ⇔ 095	Gobo wheel auto focus - 10 m
					096 ⇔ 103	Gobo wheel auto focus - 12 m
					104 ⇔ 111	Gobo wheel auto focus - 14 m
112 ⇔ 119	Gobo wheel auto focus - 16 m					
120 ⇔ 127	Gobo wheel auto focus - 18 m					
128 ⇔ 255	Reserved					
26	27	34	35	Zoom	000 ⇔ 255	0–100%
–	–	35	36	Fine zoom	000 ⇔ 255	Fine control (16-bit)

32CH	33CH	41CH	42CH	Function	Value	Percent/Setting
27	28	36	37	<b>Prism</b>	000 ⇔ 004 005 ⇔ 255	No function Prism insert
28	29	37	38	<b>Prism rotation</b>	000 ⇔ 127 128 ⇔ 189 190 ⇔ 193 194 ⇔ 255	Prism index Prism rotation, fast to slow Stop Reverse prism rotation, slow to fast
29	30	38	39	<b>Iris</b>	000 ⇔ 192 193 ⇔ 213 214 ⇔ 234 235 ⇔ 255	Large to small Auto change, slow to fast Slow open, fast close (slow to fast) Slow close, fast open (slow to fast)
30	31	39	40	<b>Frost</b>	000 ⇔ 255	0–100%
31	32	40	41	<b>Frost fine</b>	000 ⇔ 255	Fine control (16-bit)
32	33	41	42	<b>Control</b> (3 second hold)	000 ⇔ 007 008 ⇔ 015 016 ⇔ 023 024 ⇔ 031 032 ⇔ 039 040 ⇔ 047 048 ⇔ 055 056 ⇔ 063 064 ⇔ 071 072 ⇔ 079 080 ⇔ 087 088 ⇔ 095 096 ⇔ 103 104 ⇔ 111 112 ⇔ 119 120 ⇔ 127 128 ⇔ 135 136 ⇔ 143 144 ⇔ 151 152 ⇔ 255	No function Reset all Pan and tilt reset Effects (prism, iris, frost) reset Gobo reset Shutter module reset Zoom and focus reset CMY + CTO + Color reset Absolute Silence off Absolute Silence on Steady off Steady mode 1 Steady mode 2 Dimmer curve: linear Dimmer curve: square Dimmer curve: ISquare Dimmer curve: SCurve Dimmer mode: fast Dimmer mode: smooth Reserved

### Settings Configuration

#### Absolute Silent Mode

Absolute Silent slows the pan/tilt and all the moving components inside the fixture to make the unit as absolutely silent as possible while operating. To enable or disable Absolute Silence mode:

1. Go to the **Settings** main level.
2. Select the **Absolute Silent** option.
3. Select from **No** (disables Absolute Silent mode) or **Yes** (enables Absolute Silent mode).

#### Steady Mode

Steady mode controls the output of the fixture to minimize any drop in output for thermal control. The settings for the Steady mode are based on the ambient temperature where the fixture is in. The hotter the ambient temperature, the dimmer the output. To select the correct Steady mode option:

1. Go to the **Settings** main level.
2. Select the **Steady** option.
3. Select from **Off** (disables Steady mode), **Steady Mode 1** (environment temperature 26 °C), or **Steady Mode 2** (environment temperature 35 °C).

#### Red Shift

The Red Shift function allows the light in the fixture to mimic halogen lamp dimming. To enable or disable the Red Shift function:

1. Go to the **Settings** main level.
2. Select the **Red Shift** option.
3. Select from **No** (disables Red Shift function) or **Yes** (enables Red Shift function).

#### Pan Reverse

To set the orientation of the pan:

1. Go to the **Settings** main level.
2. Select the **Pan Reverse** option.
3. Select from **No** (normal pan motion) or **Yes** (reversed pan motion).

#### Tilt Reverse

To set the orientation of the tilt:

1. Go to the **Settings** main level.
2. Select the **Tilt Reverse** option.
3. Select from **No** (normal tilt motion) or **Yes** (reversed tilt motion).

#### Screen Reverse

To set the orientation of the display:

1. Go to the **Settings** main level.
2. Select the **Screen Invert** option.
3. Select from **No** (right-side up), **Yes** (upside-down), or **Auto** (automatic orientation).

#### Pan Angle

To set the maximum angle of the pan:

1. Go to the **Settings** main level.
2. Select the **Pan Angle** option.
3. Select from **540** (540°), **360** (360°), or **180** (180°).

#### Tilt Angle

To set the maximum angle of the tilt:

1. Go to the **Settings** main level.
2. Select the **Tilt Angle** option.
3. Select from **270** (270°), **180** (180°), or **090** (90°).

#### Black out on Movement

To set the Maverick Silens 2X Profile to black out on pan or tilt movement, color wheel movement, or gobo wheel movement:

1. Go to the **Settings** main level.
2. Select from the **BL. O. P/T Move** (black out on pan/tilt movement), **BL. O. Color Move** (black out on color wheel movement), or **BL. O. GoboMove** (black out on gobo wheel movement) options.
3. Select from **NO** or **Yes**.

## Touchscreen Calibration

If the touchscreen is not responding correctly, it may need to be calibrated. To do so:

1. Go to the **Settings** main level.
2. Select the **Touch Calibration** option.
3. Select from **No** (cancel) or **Yes** (calibrate).
4. Follow the instructions on the display.

## Touchscreen Lock

To lock the touchscreen and limit the display to operation by the menu buttons:

1. Go to the **Settings** main level.
2. Select the **Touch Lock** option.
3. Select from **No** (do not lock the touchscreen) or **Yes** (lock the touchscreen).

## Swap Pan and Tilt

To swap the controls for the pan and tilt:

1. Go to the **Settings** main level.
2. Select the **Swap XY** option.
3. Select from **No** (pan controls pan, tilt controls tilt) or **Yes** (pan controls tilt, tilt controls pan).

## CRMX Reset

To reset the CRMX connection and allow the Maverick Silens 2X Profile to connect to a CRMX transmitter:

1. Go to the **Settings** main level.
2. Select the **WDMX Reset** option.
3. Select from **No** or **Yes**.



Follow instructions in the manual or guide for the CRMX controller being used to connect it to the receiver in the Maverick Silens 2X Profile.

## Display Backlight Timer

To set how long before an inactive display will turn off:

1. Go to the **Settings** main level.
2. Select the **Display Timeout** option.
3. Select the length of the backlight timer, from **30S** (30 seconds), **1M** (1 minute), **5M** (5 minutes), or **ON** (always on).

## Loss of Data

To select how the product will respond to a loss of the control signal:

1. Go to the **Settings** main level.
2. Select the **Loss of Data** option.
3. Select from **Hold** (holds last signal received) or **Close** (blacks out fixture).

## Dimmer Curve

To set the dimmer curve:

1. Go to the **Settings** main level.
2. Select the **Dimmer Curve** option.
3. Select the dimmer curve, from **Linear**, **Square**, **I Squa**, or **SCurve**.

## Dimmer Speed

To adjust the dimmer speed:

1. Go to the **Settings** main level.
2. Select the **Dimmer Speed** option.
3. Select from **Fast** or **Smoth**.

## LED Frequency

To adjust the frequency of the LED:

1. Go to the **Settings** main level.
2. Select the **LED Frequency** option.
3. Select the frequency, from **2000Hz** or **4000Hz**.

## Operation

---

### Preset Selection

To select a preset configuration of menu options:

1. Go to the **Settings** main level.
2. Select the **Preset Select** option.
3. Select from **PRESET A** (default), **PRESET B**, or **PRESET C**.



- **Changes to settings automatically save to the currently selected Preset.**
- **If no Preset has been selected, changes to settings save to PRESET A.**
- **After selecting a Preset, the product will restart.**

### Preset Synchronization

To transfer saved Presets from one Maverick Silens 2X Profile to another:

1. Connect the Maverick Silens 2X Profile products to receive the Presets by a DMX daisy chain.
2. Make the Maverick Silens 2X Profile with the Presets to transfer the first in the DMX daisy chain.
3. Power on all of the products.
4. Set all of the products to a [Control Mode](#) other than **CRMX** (i.e., **DMX**, **ArtNet**, or **sACN**).
5. On the Maverick Silens 2X Profile with the Presets, go to the **Settings** main level.
6. Select the **Preset Sync** option.
7. Select **No** (to cancel) or **Yes** (to transfer the Presets to the connected products).



- **All menu configurations are transferred except for the IP address.**
- **ONLY connect Maverick Silens 2X Profile products for this function!**

### Reset Function

To reset specific functions or the entire product:

1. Go to the **Settings** main level.
2. Select the **Reset Function** option.
3. Select the functions to reset, from **Pan/Tilt**, **Iris/Prism**, **Color/CMY**, **Shutters**, **Gobo/Gobo Rotate**, **Frost**, **Animation**, **Zoom**, or **Entire Fixture**.
4. Select **No** (to cancel) or **Yes** (to reset the selected functions).

### Factory Reset

To reset the product to factory settings:

1. Go to the **Settings** main level.
2. Select the **Factory Settings** option.
3. Select **No** (to cancel) or **Yes** (to reset the product configuration).

## Test Mode

### Auto Test

To have the Maverick Silens 2X Profile automatically test all functions one after the other:

1. Go to the **Test** main level.
2. Select the **Auto Test** option.

### Manual Test

To manually test an individual function of the Maverick Silens 2X Profile:

1. Go to the **Test** main level.
2. Select the **Manual Test** option.
3. Select a function to test, from **Frequency, Pan, Pan Fine, Tilt, Tilt Fine, Pan/Tilt Speed, Dimmer, Dimmer Fine, Shutter/Strobe, Virtual Strobe, Cyan, Magenta, Yellow, CTO, Color, Hue Adjustment, Red Shift, Rot Gobo, Gobo Rot, Gobo Rot Fine, Static Gobo, Animation Engage, Animation Rotate, Shutters Rot, Shutter 1-1, Shutter 1-2, Shutter 2-1, Shutter 2-2, Shutter 3-1, Shutter 3-2, Shutter 4-1, Shutter 4-2, Focus, Focus Fine, Auto Focus, Zoom, Zoom Fine, Prism, Prism Rot, Iris, Frost, Frost Fine, or Control.**
4. Increase or decrease the value of the selected function from **0–255** to test it.

## System Information

The information section of the menu displays statistics and the current status of the product's various functions. To view this information:

1. Go to the **Information** main level.
2. Select from the **Fixture Information, Error Information, or DMX Value Information** options.
3. Use **<UP>** and **<DOWN>** to view all information.

## Zero Adjust Mode

The Zero Adjust mode provides fine adjustments for the home position of every moving part in the optical path as well as the pan and tilt movements. To adjust these options and prevent borders showing or reduction of the light output:

1. From the main level screen, press and hold **<MENU>** until the passcode screen appears.
2. Enter the passcode: **0920** and press **<ENTER>**.
3. Select the “zero” position to adjust, from **PAN, TILT, COLOR, GOBO, GOBO ROTATE, GOBO2, ANIMATION, FOCUS-GOBO, FOCUS-GOBO2, ZOOM, PRISM, PRISM2, PRISM ROT, IRIS, FROST, FROST2, CRI FILTER, CYAN, MAGENTA, YELLOW, CTO, MAC4, MAC5, or MAC6.**
4. Adjust the “zero” position for the selected function from **000–255**.

## Operation

---

### Web Server

The Maverick Silens 2X Profile Web Server can be accessed by any computer on the same network as the product. It allows network access to system information, settings such as control setup, manual testing of all functions, firmware updates, and the ability to change the Web Server password.

1. Connect the product to power, and set the [Control Mode](#) to **ArtNet** and the [IP Mode](#) to **Static**.
2. Connect the product to a Windows computer with a network cable.
3. On the computer, set the first value of the IP address of the new network to match the first value of the IP address of the product. The IP address of the product is displayed on the [Home Screen](#).
4. Enter the IP address of the product into the URL bar of a web browser on the computer.
5. Enter both the User Name and Password as **admin** to log in.

#### Information

The Information page on the Web Server displays the current settings and the system information of the Maverick Silens 2X Profile.

#### Setup

The Setup page on the Web Server provides options for control, similar to the **Setup** menu on the product. Click **Save Settings** to send the new configuration to the product.

#### Manual Test

The Manual Test page on the Web Server allows all output functions of the product to be controlled through the browser. To set all functions back to default, click **Reset**.

#### Firmware Update

The Upgrade page on the Web Server allows the product to be updated with the latest firmware. Go to <https://www.chauvetprofessional.com> to download firmware updates.

#### Security

The Security page on the Web Server gives the option to change the password to the connected product's web server. Enter the old password (**admin**, by default) and the new password twice, then click **Save Settings** to change the password.

## 5. Maintenance

### Product Maintenance

Dust build-up reduces light output performance and can cause overheating. This can lead to reduction of the light source's life and/or mechanical wear. To maintain optimum performance and minimize wear, clean each lighting product at least twice a month. However, be aware that usage and environmental conditions could be contributing factors to increase the cleaning frequency.

To clean the product, follow the instructions below:

1. Unplug the product from power.
2. Wait until the product is at room temperature.
3. Use a vacuum (or dry compressed air) and a soft brush to remove dust collected on the external surface/vents.
4. Clean all transparent surfaces with a mild soap solution, ammonia-free glass cleaner, or isopropyl alcohol.
5. Apply the solution directly to a soft, lint free cotton cloth or a lens cleaning tissue.
6. Softly drag any dirt or grime to the outside of the transparent surface.
7. Gently polish the transparent surfaces until they are free of haze and lint.



**Always dry the transparent surfaces carefully after cleaning them.**



**Do not spin the cooling fans with compressed air. Damage may result.**

### Gobo Maintenance

To ensure optimal operation, 1) inspect and 2) clean gobos every four months. More frequent maintenance may be necessary if usage is higher.

To inspect, remove each gobo holder and check if:

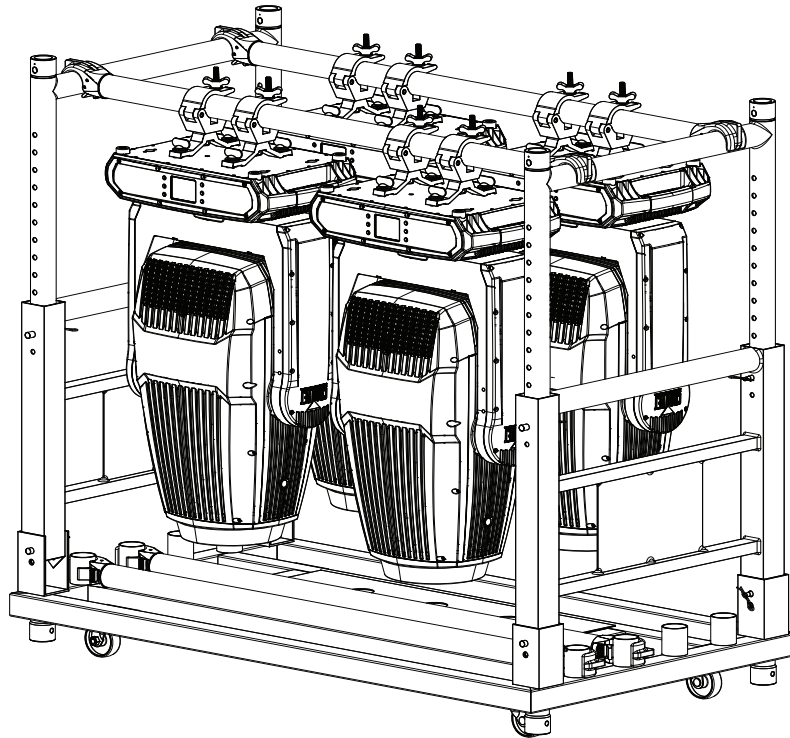
- the holders are clean (free of dirt, grime, or gunk).
- the gobos are properly installed in the holders.
- all the bearings are in place.
- the holders are rotating freely.

To clean the gobos and the gobo holder, follow the instructions below:

1. Remove the gobos from the holder.
2. Clean the gobos with a soft, lint-free cotton cloth. Use an ammonia-free glass cleaner sprayed to a piece of lint-free cotton cloth to clean glass gobos.
3. Submerge the gobo holder (without the gobo installed) in a container with a liquid lubricant (i.e., WD40) and let it rest for a couple of minutes.
4. Shake the container with the gobo holder inside to help release/loosen any gunk/grime/dirt.
5. Take the gobo holder out of the container and clean it using a small nylon brush.
6. Wipe off all the lubricant from the gobo holder using a piece of lint-free cotton cloth.
7. Apply a small coat of synthetic oil (i.e., Liquid Bearings) to the bearings and rotate it thoroughly in both directions (needle tip applicator recommended). Make sure the gobo holder is rotating freely and is not making any abnormal noise.
8. Reinstall the gobos in the gobo holder. Make sure the gobos are in the correct positions.
9. Reinstall the gobo holder in the unit.



## Transporting on Truss or Racks



When transporting fixtures in pre-rigged truss and transportation racks, mount fixtures in the vertical position with the lenses facing down and the pan and tilt locks engaged. This is to prevent undue stress on the tilt locks and limit the amount of off-axis bounce on internal components.

## 6. Technical Specifications

### Dimensions and Weight

Length	Width	Height	Weight
17 in (433 mm)	10.8 in (276 mm)	31.1 in (792 mm)	75.5 lb (34.4 kg)

**Note:** Dimensions in inches are rounded.

### Power

Power Supply Type	Range	Voltage Selection
Switching (internal)	100 to 240 VAC, 50/60 Hz	Auto-ranging

Parameter	100 V, 60 Hz	120 V, 60 Hz	208 V, 60 Hz	230 V, 50 Hz	240 V, 50 Hz
Consumption	650 W	640 W	639 W	648 W	654 W
Operating Current	6.53 A	5.45 A	3.10 A	2.82 A	2.75 A
Power-Linking Current	13.6 A (2 products)	13.6 A (2 products)	13.6 A (4 products)	13.6 A (4 products)	13.6 A (4 products)

Power I/O	U.S./Worldwide	UK/Europe
Power Input Connector	Seetronic Powerkon IP65	Seetronic Powerkon IP65
Power Cable Plug	Edison	Local plug

### Light Source

Type	Color	Quantity	Power	Current	Lifespan
LED	Cool white	1	750 W	12 A	30,000 hours
LED	RGB	1	13 W	3.7 A	50,000 hours

### Photometrics

Beam Angle	Field Angle	Cutoff Angle	Zoom Range
5.5° to 49.9°	6° to 53.1°	6.2° to 57.9°	5.5° to 57.9°

Front Lens Diameter	Illuminance (5.5°)	Illuminance (57.9°)
138 mm	30,672 lux @ 5 m	697 lux @ 15 m

### Thermal

Maximum External Temperature	Cooling System
113 °F (45 °C)	Fan-assisted Convection

### Control

DMX I/O Connector	Ethernet I/O Connector	Channel Range
5-pin XLR	Amphenol XLR Net RJ45	32 or 41

### Ordering

Product Name	Item Name	Item Code	UPC Number
Maverick Silens 2X Profile	MAVERICKSILENS2XPROFILE	03012295	781462226435



UL 1573  
CSA C22.2 No. 166  
E113093



## Contact Us

General Information	Technical Support
<b>Chauvet World Headquarters</b>	
Address: 3360 Davie Rd., Suite 509 Davie, FL 33314 Voice: (954) 577-4455 Fax: (954) 929-5560 Toll Free: (800) 762-1084	Voice: (844) 393-7575 Fax: (954) 756-8015 Email: <a href="mailto:chauvetcs@chauvetlighting.com">chauvetcs@chauvetlighting.com</a> Website: <a href="http://www.chauvetprofessional.com">www.chauvetprofessional.com</a>
<b>Chauvet U.K.</b>	
Address: Pod 1 EVO Park Little Oak Drive, Sherwood Park Nottinghamshire, NG15 0EB UK Voice: +44 (0) 1773 511115 Fax: +44 (0) 1773 511110	Email: <a href="mailto:UKtech@chauvetlighting.eu">UKtech@chauvetlighting.eu</a> Website: <a href="http://www.chauvetprofessional.eu">www.chauvetprofessional.eu</a>
<b>Chauvet Benelux</b>	
Address: Stokstraat 18 9770 Kruishoutem Belgium Voice: +32 9 388 93 97	Email: <a href="mailto:BNLtech@chauvetlighting.eu">BNLtech@chauvetlighting.eu</a> Website: <a href="http://www.chauvetprofessional.eu">www.chauvetprofessional.eu</a>
<b>Chauvet France</b>	
Address: 3, Rue Ampère 91380 Chilly-Mazarin France Voice: +33 1 78 85 33 59	Email: <a href="mailto:FRtech@chauvetlighting.fr">FRtech@chauvetlighting.fr</a> Website: <a href="http://www.chauvetprofessional.eu">www.chauvetprofessional.eu</a>
<b>Chauvet Germany</b>	
Address: Bruno-Bürgel-Str. 11 28759 Bremen Germany Voice: +49 421 62 60 20	Email: <a href="mailto:DEtech@chauvetlighting.de">DEtech@chauvetlighting.de</a> Website: <a href="http://www.chauvetprofessional.eu">www.chauvetprofessional.eu</a>
<b>Chauvet Mexico</b>	
Address: Av. de las Partidas 34 - 3B (Entrance by Calle 2) Zona Industrial Lerma Lerma, Edo. de México, CP 52000 Voice: +52 (728) 690-2010	Email: <a href="mailto:servicio@chauvet.com.mx">servicio@chauvet.com.mx</a> Website: <a href="http://www.chauvetprofessional.mx">www.chauvetprofessional.mx</a>

## Warranty & Returns

For warranty terms and conditions and return information, please visit our website.

For customers in the United States and Mexico: [www.chauvetlighting.com/warranty-registration](http://www.chauvetlighting.com/warranty-registration).

For customers in the United Kingdom, Republic of Ireland, Belgium, the Netherlands, Luxembourg, France, and Germany: [www.chauvetlighting.eu/warranty-registration](http://www.chauvetlighting.eu/warranty-registration).