

STRIKE **ARRAY** 4C

User Manual



Model ID: STRIKEARRAY4C

**CHAUVET**
PROFESSIONAL

Edition Notes

The STRIKE Array 4C User Manual includes a description, safety precautions, installation, programming, operation, and maintenance instructions for the STRIKE Array 4C as of the release date of this edition.

Trademarks

Chauvet, Chauvet Professional, the Chauvet logo, and STRIKE are registered trademarks or trademarks of Chauvet & Sons, LLC (d/b/a Chauvet and Chauvet Lighting) in the United States and other countries. Other company and product names and logos referred to herein may be trademarks of their respective companies.

Copyright Notice

The works of authorship contained in this manual, including, but not limited to, all designs, text, and images are owned by Chauvet.

© **Copyright 2026 Chauvet & Sons, LLC. All rights reserved.**

Electronically published by Chauvet in the United States of America.

Manual Use

Chauvet authorizes its customers to download and print this manual for professional information purposes only. Chauvet expressly prohibits the usage, copy, storage, distribution, modification, or printing of this manual or its content for any other purpose without written consent from Chauvet.

Document Printing

For best results, print this document in color, on letter size paper (8.5 x 11 in), double-sided. If using A4 paper (210 x 297 mm), configure the printer to scale the content accordingly.

Intended Audience

Any person installing, operating, and/or maintaining this product should completely read through the guide that shipped with the product, as well as this manual, before installing, operating, or maintaining this product.

Disclaimer

Chauvet believes that the information contained in this manual is accurate in all respects. However, Chauvet assumes no responsibility and specifically disclaims any and all liability to any party for any loss, damage or disruption caused by any errors or omissions in this document, whether such errors or omissions result from negligence, accident, or any other cause. Chauvet reserves the right to revise the content of this document without any obligation to notify any person or company of such revision, however, Chauvet has no obligation to make, and does not commit to make, any such revisions.

Document Revision

Go to www.chauvetprofessional.com for the latest version.

Revision	Date	Description
5	05/2026	Corrected dimensions.

TABLE OF CONTENTS

- 1. Before You Begin** 1
 - What Is Included 1
 - Claims 1
 - Text Conventions 1
 - Symbols 1
 - Safety Notes..... 2
 - FCC Statement of Compliance 3
 - Expected LED Lifespan..... 3
- 2. Introduction** 4
 - Features 4
 - Product Overview 4
 - Product Dimensions 5
- 3. Setup** 6
 - AC Power 6
 - AC Plug 6
 - USB Software Update 6
 - Fixture To Fixture Software Update 7
 - Force Upload..... 7
 - Signal Connections 8
 - Control Personalities 8
 - DMX Linking 8
 - Remote Device Management 8
 - Art-Net™ Connection 8
 - sACN Connection..... 8
 - Ethernet Connection Diagram 8
 - Mounting 9
 - Orientation..... 9
 - Rigging 9
 - Procedure..... 9
 - Mounting Diagram..... 9
 - Multi-Product Mounting 10
 - Multi-Product Mounting Diagram 10
 - Mounting Products Attached in Series 11
 - Vertical Mounting Stability 12
- 4. Operation** 13
 - Control Panel Description 13
 - Programming..... 13
 - Passcode 13
 - Menu Map 13
 - Control Configuration 17
 - Control Mode..... 17
 - Control Personalities 17
 - Starting Address..... 17
 - Ethernet Settings..... 18
 - IP Mode 18
 - Universe 18

IP Address	18
Subnet Mask.....	18
Ethernet to DMX	18
Virtual Color Wheel	19
Virtual Color Wheel Chart	19
Color Temperature Chart	20
DMX Channel Assignments and Values	20
Control Chart.....	20
49 Ch / 22 Ch	20
16 Ch / 13 Ch / 12 Ch / 10 Ch1 / 7 Ch / 5 Ch / 3 Ch	22
HSV	22
1 Ch.....	22
10 Ch2 / 4 Ch	23
Standalone Configuration.....	24
Static Mode	24
Virtual Color Wheel.....	24
Color Temperature	24
Manual Color Mixer	24
Color X-Fade Speed	24
Auto Show.....	24
Settings Configuration.....	24
Red Shift	24
Master/Slave	24
Dimmer Curve	24
Dimmer Speed Mode	25
Color Calibration	25
Pulse Width Modulation	25
Display Invert	25
Fan Mode	25
Display Backlight.....	25
Key Lock	25
Information	25
Temperature.....	25
Factory Reset.....	25
Web Server	26
Home.....	26
Settings	26
Output	26
Security	26
Error Codes.....	26
5. Maintenance.....	27
Product Maintenance	27
Torque Measurements	27
Vacuum Test Measurements	27
6. Technical Specifications	28
Contact Us	29
Warranty & Returns.....	29

Before You Begin

1. Before You Begin

What Is Included

- STRIKE Array 4C
- Omega bracket with mounting hardware
- Seetronic Powerkon IP65 power cable
- Quick Reference Guide

Claims

Carefully unpack the product immediately and check the container to make sure all the parts are in the package and are in good condition.




If the box or the contents (the product and included accessories) appear damaged from shipping, or show signs of mishandling, notify the carrier immediately, not Chauvet. Failure to report damage to the carrier immediately may invalidate a claim. In addition, keep the box and contents for inspection.

For other issues, such as missing components or parts, damage not related to shipping, or concealed damage, file a claim with Chauvet within 7 days of delivery.

Text Conventions

Convention	Meaning
1–512	A range of values
50/60	A set of values of which only one can be chosen
Settings	A menu option not to be modified
<ENTER>	A key to be pressed on the product's control panel

Symbols

Symbol	Meaning
	Critical installation, configuration, or operation information. Not following these instructions may make the product not work, cause damage to the product, or cause harm to the operator.
	Important installation or configuration information. The product may not function correctly if this information is not used.
	Useful information.



Any reference to data or power connections in this manual assumes the use of Seetronic IP rated cables.



The term “DMX” used throughout this manual refers to the USITT DMX512-A digital data transmission protocol.

Connection of the control signal: DMX line

- The product has XLR sockets for DMX input and output.
- **Notice:** This control circuit is isolated and belongs to the Class 2 data port.

The control circuit has a cumulative leakage current of less than 3.5 mA.

Safety Notes

Read all the following safety notes before working with this product. These notes contain important information about the installation, usage, and maintenance of this product.



This product contains no user-serviceable parts. Any reference to servicing in this User Manual will only apply to properly trained, certified technicians. Do not open the housing or attempt any repairs.



All applicable local codes and regulations apply to proper installation of this product.

- The luminaire is intended for professional use only.
- The luminaire should be positioned so that prolonged staring into the luminaire at a distance closer than 7.5 ft (2.3 m) is not expected.
- If the external flexible cable or cord of this luminaire is damaged, it shall be replaced by a special cord or cord exclusively available from the manufacturer or its service agent.
- The light source contained in this luminaire shall only be replaced by the manufacturer or its service agent or a similar qualified person.
- **CAUTION:**
 - This product's housing may be hot when operating. Mount this product in a location with adequate ventilation, at least 20 in (50 cm) from adjacent surfaces.
 - When transferring the product from extreme temperature environments, (e.g., cold truck to warm humid ballroom) condensation may form on the internal electronics of the product. To avoid causing a failure, allow the product to fully acclimate to the surrounding environment before connecting it to power.
 - Flashing light is known to trigger epileptic seizures. User must comply with local laws regarding notification of strobe use.
- **ALWAYS:**
 - Disconnect from power before cleaning the product.
 - When using an IP65-rated product in an outdoor environment, use IP65- (or higher) rated power and data cable.
 - Replace and secure IP-rated protective covers to all power, data, USB, or other ports when not in use.
 - Use a safety cable when mounting this product overhead.
 - Connect this product to a grounded and protected circuit.
- **DO NOT:**
 - Open this product. It contains no user-serviceable parts.
 - Look at the light source when the product is on.
 - Leave any flammable material within 1 m of this product while operating or connected to power.
 - Connect this product to a dimmer or rheostat.
 - Operate this product if the housing, lenses, or cables appear damaged.
 - Submerge this product (adhere to standards for the published IP rating). Regular outdoor operation is fine.
 - Permanently install outdoors in locations with extreme environmental conditions. This includes, but is not limited to:
 - Exposure to a marine/saline environment (within 3 miles of a saltwater body of water).
 - Locations where normal temperatures exceed the temperature ranges in this manual.
 - Locations that are prone to flooding or being buried in snow.
 - Other areas where the product will be subject to extreme radiation or caustic substances.
 - **ONLY** use the hanging/mounting bracket to carry this product.
 - The maximum ambient temperature is 113 °F (45 °C). Do not operate this product at higher temperatures.
 - The minimum startup temperature is -4°F (-20°C). Do not start the product at lower temperatures.
 - The minimum ambient temperature is -22°F (-30°C). Do not operate the product at lower temperatures.
 - To eliminate unnecessary wear and improve its lifespan, during periods of non-use completely disconnect the product from power via breaker or by unplugging it.
 - In the event of a serious operating problem, stop using immediately.



If this Chauvet product requires service, contact Chauvet Technical Support.

Before You Begin

FCC Statement of Compliance

This device complies with Part 15 Part B of the FCC rules. Operation is subject to the following two conditions:

1. This device may not cause harmful interference, and
2. This device must accept any interference received, including interference that may cause undesired operation.

This equipment has been tested and found to comply with the limits for a Class B digital device, pursuant to Part 15 of the FCC Rules. These limits are designed to provide reasonable protection against harmful interference in a residential installation. This equipment generates uses and can radiate radio frequency energy and, if not installed and used in accordance with the instructions, may cause harmful interference to radio communications. However, there is no guarantee that interference will not occur in a particular installation. If this equipment does cause harmful interference to radio or television reception, which can be determined by turning the equipment off and on, the user is encouraged to try to correct the interference by one or more of the following measures:

- Reorient or relocate the receiving antenna.
- Increase the separation between the equipment and receiver.
- Connect the equipment into an outlet on a circuit different from that to which the receiver is connected.
- Consult the dealer or an experienced radio/TV technician for help.

Any changes or modifications not expressly approved by the party responsible for compliance could void the user's authority to operate the equipment.

Expected LED Lifespan

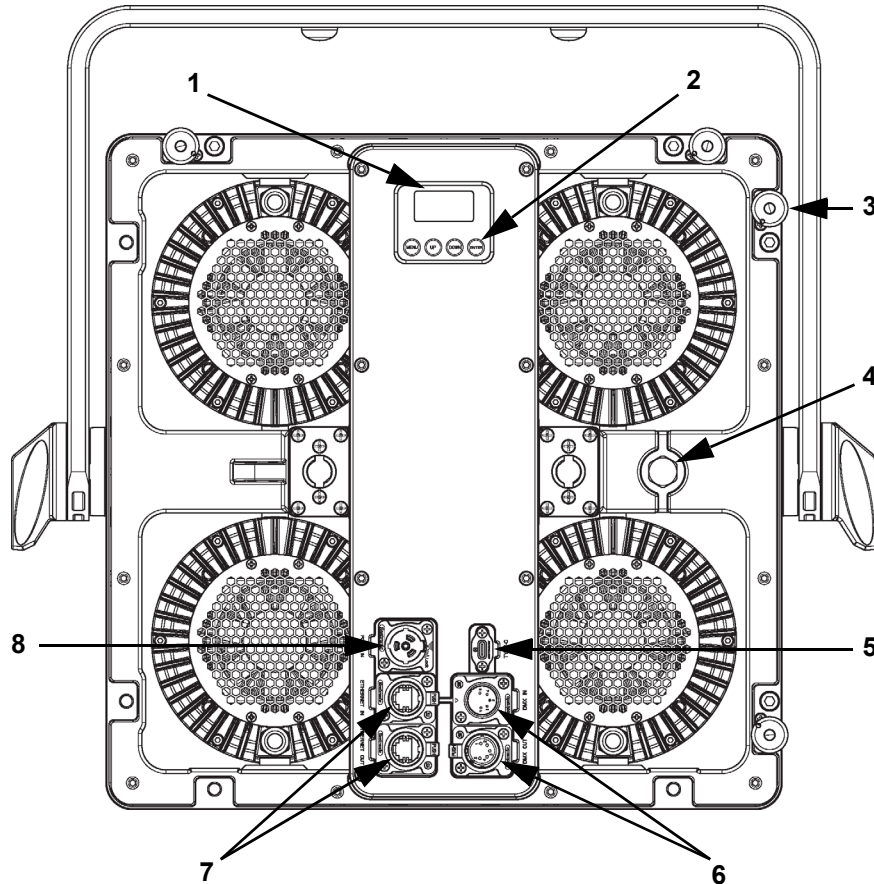
Over time, use and heat will gradually reduce LED brightness. Clustered LEDs produce more heat than single LEDs, contributing to shorter lifespans if always used at full intensity. The average LED lifespan is 40,000 to 50,000 hours. To extend LED lifespan, maintain proper ventilation around the product, and limit the overall intensity.

2. Introduction

Features

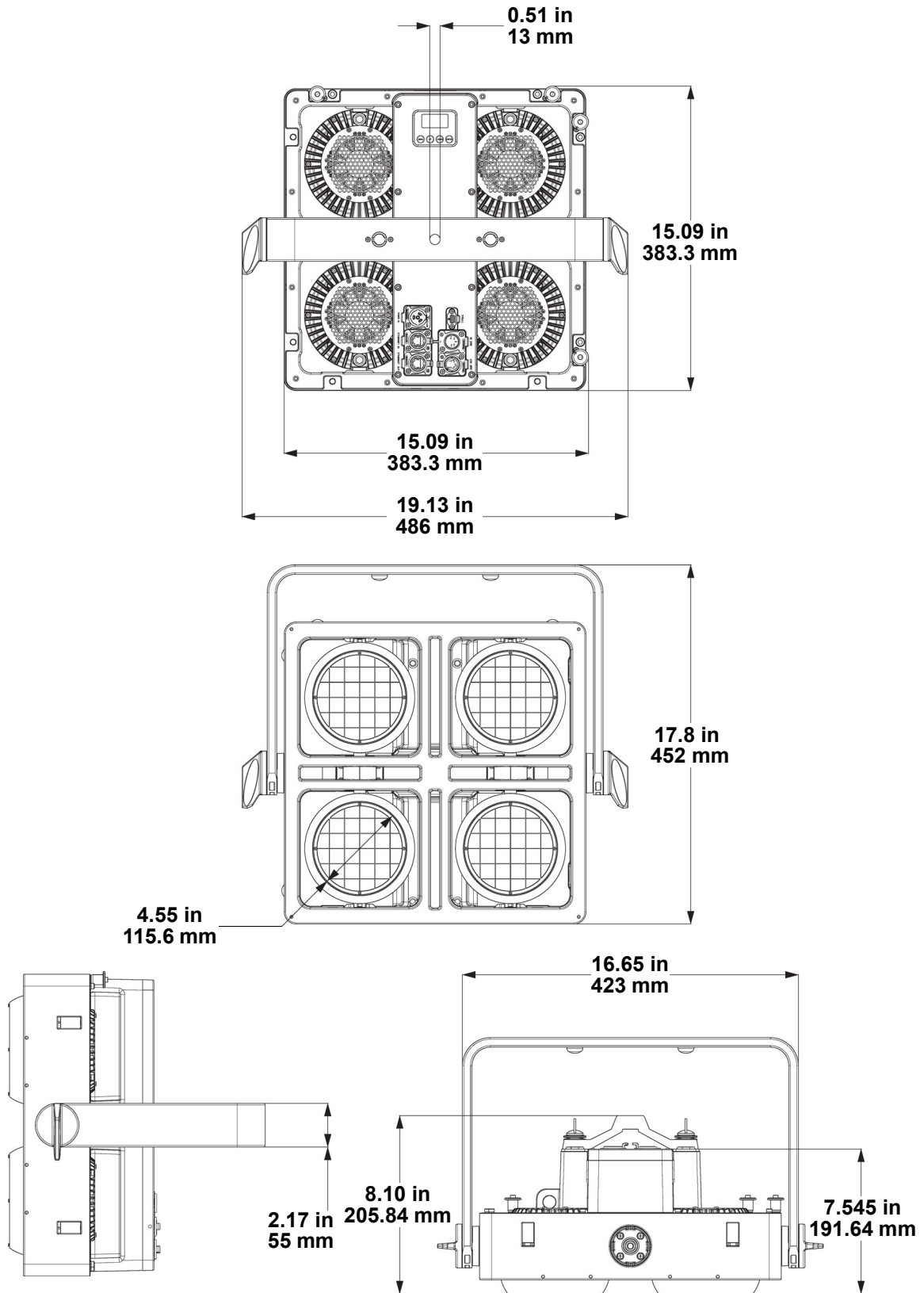
- Intense 4 pod color blinder/strobe rated IP65 for all-weather use
- Full range of color and excellent rendition of any color temperature of white
- Emulated “red shift” to mimic incandescent fixtures perfectly
- Individual pan (or tilt depending on mount orientation) of each head to allow for directional adjustment of light output
- Innovative interlocking system to connect multiple Strike Array family fixtures together
- Multiple mounting locations and re-positionable yoke with ¼ turn adapters for creative and convenient rigging options
- Independent pod control and strobe functionality for high-impact effects on the fly
- Ultra-smooth 18-bit dimming curves and speeds to complement any lighting scheme

Product Overview



#	Name
1	Display
2	Menu buttons
3	Alignment pin (x4)
4	Condensation valve
5	USB-C port
6	5-pin DMX in/out
7	Ethernet ports
8	Power in

Product Dimensions



3. Setup

AC Power

The STRIKE Array 4C has an auto-ranging power supply and it can work with an input voltage range of 100 to 240 VAC, 50/60 Hz.

To determine the product's power requirements (circuit breaker, power outlet, and wiring), use the current value listed on the label affixed to the product's back panel, or refer to the product's specifications chart. The listed current rating indicates the product's average current draw under normal conditions.



- **Always connect the product to a protected circuit (a circuit breaker or fuse). Ensure the product has an appropriate electrical ground to avoid the risk of electrocution or fire.**
- **To eliminate unnecessary wear and improve its lifespan, during periods of non-use completely disconnect the product from power via breaker or by unplugging it.**



Never connect the product to a rheostat (variable resistor) or dimmer circuit, even if the rheostat or dimmer channel serves only as a 0 to 100% switch.

AC Plug

The STRIKE Array 4C comes with a power input cable terminated with a Seetronic Powerkon A connector on one end and an Edison plug on the other end (U.S. market). If the power cable which came with the product has no plug, or if it is necessary to change the plug, use the table below to wire a plug.

Connection	Wire (U.S.)	Wire (Europe)	Screw Color
AC Live	Black	Brown	Yellow or Brass
AC Neutral	White	Blue	Silver
AC Ground	Green/Yellow	Green/Yellow	Green

USB Software Update

The STRIKE Array 4C allows for a software update through USB using the built-in USB port. To update the software using a USB flash drive, do the following:

1. Power on the product and plug the flash drive into the USB port.
2. Once the flash drive has been detected, the message **"Upgrade Firmware"** will be displayed. Press **<ENTER>**.
 - If a different message appears on the display, search for the updated software in the menu (**Upgrade Firmware**) and select from **Only This Fixture**, **Multiple Fixture**, **Other Fixture Type**, or **Fixture to Fixture**. A list of the software update files will be displayed.



The "Other Fixture Type" option under Upgrade Firmware can only be selected for connected products compatible with the Upload 03 (the first 2 digits of the item code must be 03).

- See [Fixture To Fixture Software Update](#) for the **Fixture to Fixture** software update process.
3. Select the file that needs to be uploaded. The message **"Are you sure?"** will be displayed. Press **<ENTER>**.



If the selected file is incorrect, the upgrade will fail, and the display will go back to the main interface. Repeat steps 1-3 using the correct file.

4. If the selected file is correct, the update will start. **DO NOT** turn off power or disconnect the USB during the process. The USB update can take several minutes to complete.
5. When the update is complete, the product will automatically reboot.
6. Go to the **Information** level of the product menu map and confirm the firmware revision.
7. When the boot-up process is finished, restart the product.



- **Place the .chl file in the root directory of the USB drive.**
- **The product's USB port supports up to 32GB capacity and only works with FAT32 file format.**



Turning off the power, removing the DMX cable, or not setting the fixture to the correct protocol during the update can cause partial or total software failure in the targeted fixture. The user will need an Upload 03 device to fix the software failure issues. Please contact Chauvet customer service for this device.

Fixture To Fixture Software Update

The STRIKE Array 4C allows for a software update through a DMX cable from one STRIKE Array 4C to another. To update the software using a DMX cable connection, follow the instructions below:

1. Power on the products.
2. Connect the DMX out of the STRIKE Array 4C with the latest software to the DMX in of the STRIKE Array 4C that needs to be updated.
3. Go to the **Upgrade Firmware** main level of the receiving product.
4. Select the **Fixture To Fixture** option.
5. A warning “**make sure no other signal, Network or DMX controller is being sent! and press enter key to start update**” will show on the display. Press **<ENTER>** to start the update.
 - **DO NOT** turn off the power or disconnect the DMX cable during the process. The update can take several minutes to complete.
 - **If the connected product is incorrect or has the incorrect software, the upgrade will fail, and the display will go back to the main interface. Repeat steps 1-5 using a STRIKE Array 4C with valid software.**
6. If the connected product is valid, the update will start. **DO NOT** turn off power or disconnect the DMX cable during the process. The update can take several minutes to complete.
7. When the update is complete, the product will automatically reboot.
8. Go to the **Information** level of the product main menu and confirm the software update.



- **When updating software using Fixture To Fixture, make sure no other DMX signals or Ethernet signals are connected to the products.**
- **Turning off the power, removing the DMX cable, or not setting the fixture to the correct protocol during the update can cause partial or total software failure in the targeted fixture. The user will need an Upload 03 device to fix the software failure issues. Please contact Chauvet customer service for this device.**

Force Upload

A Force Upload is done whenever a software update fails due to accidental removal of the USB flash drive, incorrect control protocol, or loss of power during a regular software update process.



- **A Force Upload process requires a target fixture (the fixture that needs a Force Upload and a main fixture (the fixture that controls the upload process).**
- **The Force Upload process can only be done one target fixture at a time.**

To do a Force Upload, follow the instructions below:

1. Link the target fixture to the main fixture via a DMX 5-pin connection. Ensure that the target fixture is turned off.
2. Turn on the main fixture and set its protocol to **DMX512**.
3. Plug the flash drive into the USB-C port of the main fixture.
4. Go to Upgrade Firmware on the menu map.
5. Choose between **Multiple Fixture** and **Other Fixture Type**. Press **<ENTER>**.
 - **Multiple Fixture:** Both the target fixture and main fixture are from the same product line (e.g., 2 STRIKE Array 4C fixtures).
 - **Other Fixture Type:** The target fixture and main fixture are from different product series (e.g., a STRIKE Array 4C as the target fixture and a Maverick Silens 2 Profile as the main fixture).
6. Select the file that needs to be uploaded. The message “**Are you sure?**” will appear on the screen. Press **<ENTER>**. Turn on the target fixture within 1–2 seconds of pressing **<ENTER>**. The display on the target fixture should remain off.
 - a. The main fixture will show the update progress (0–100%).
 - b. The target fixture’s display will turn on, and a notification “**<UPDATE>**” will appear on the screen.



The timing of when the target fixture’s display will turn on varies from fixture to fixture.

7. **DO NOT** turn off power or remove the USB flash drive. Once the software is done uploading, the target fixture will automatically reboot.
8. Go to the target fixture’s main menu and confirm that the firmware version has been updated.
9. Reboot the target fixture.

Signal Connections

The STRIKE Array 4C can receive a DMX, Art-Net™, or sACN signal. The product has 2 Seetronic Etherkon through ports and 5-pin DMX in and out ports. If using other compatible products with this product, it is possible to control each individually with a single controller.

Control Personalities

The STRIKE Array 4C uses a 5-pin DMX data connection, Art-Net™, or sACN for its 13 control personalities, ranging from **1Ch** to **49Ch**.

- Refer to the [Operation](#) chapter to learn how to configure the STRIKE Array 4C to work in these personalities.
- The [DMX Channel Assignments and Values](#) section provides detailed information regarding the control personalities.



For more information about DMX standards or the DMX cables needed to link this product to a DMX controller, download the DMX Primer from the Chauvet website: www.chauvetprofessional.com.

DMX Linking

It is possible to link the STRIKE Array 4C to a DMX controller using a 5-pin DMX connection. For more information about DMX, read the DMX primer at:

https://www.chauvetprofessional.com/wp-content/uploads/2016/06/DMX_Primer.pdf.

Remote Device Management

Remote Device Management, or RDM, is a standard for allowing DMX-enabled devices to communicate bi-directionally along existing DMX cabling. Check the DMX controller's User Manual or with the manufacturer as not all DMX controllers have this capability. The STRIKE Array 4C supports RDM protocol that allows feedback to make changes to menu map options.

Art-Net™ Connection

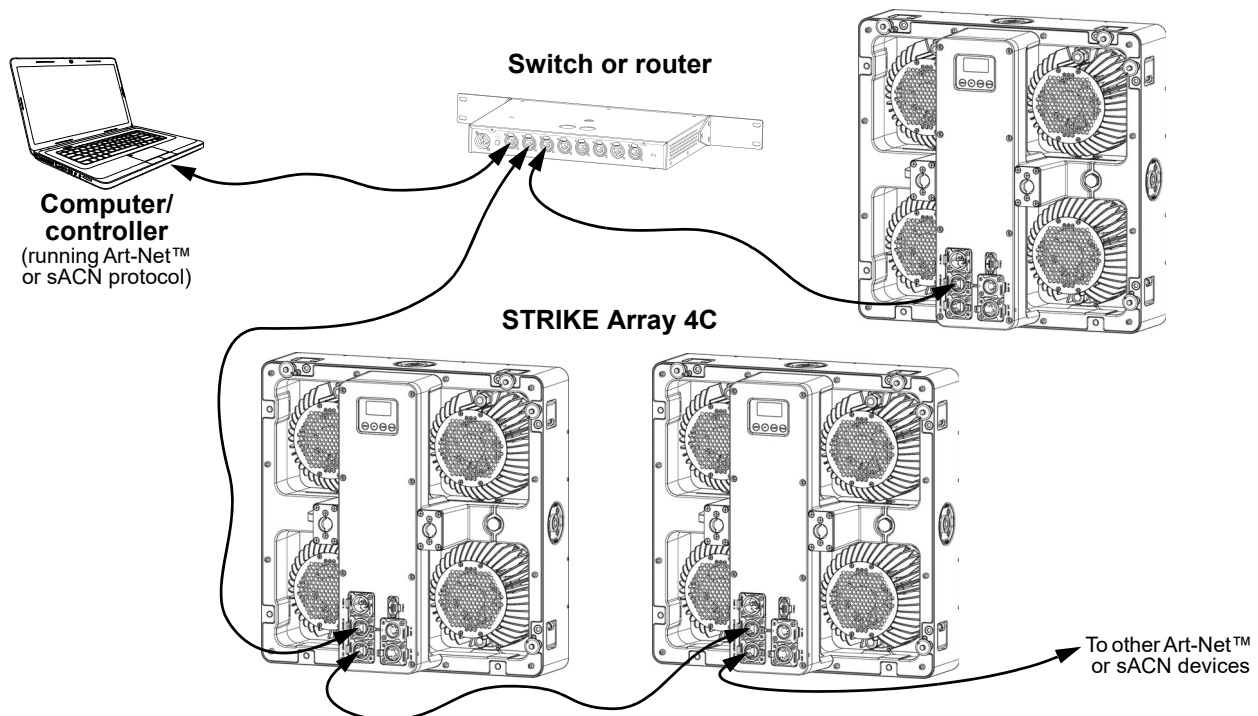
Art-Net™ is an Ethernet protocol that uses TCP/IP which transfers a large amount of DMX512 data using an ethernet connection over a large network. An Art-Net™ protocol document is available from www.chauvetprofessional.com.

Art-Net™ designed by and copyright Artistic Licence Holdings Ltd.

sACN Connection

Also known as ANSI E1.31, streaming ACN is an Ethernet protocol that uses the layering and formatting of Architecture for Control Networks to transport DMX512 data over IP or any other ACN compatible network.

Ethernet Connection Diagram



Setup

Mounting

Before mounting the product, read and follow the safety recommendations indicated in the [Safety Notes](#).

Orientation

Always mount this product in a safe position, making sure there is adequate room for ventilation, configuration, and maintenance.

Rigging

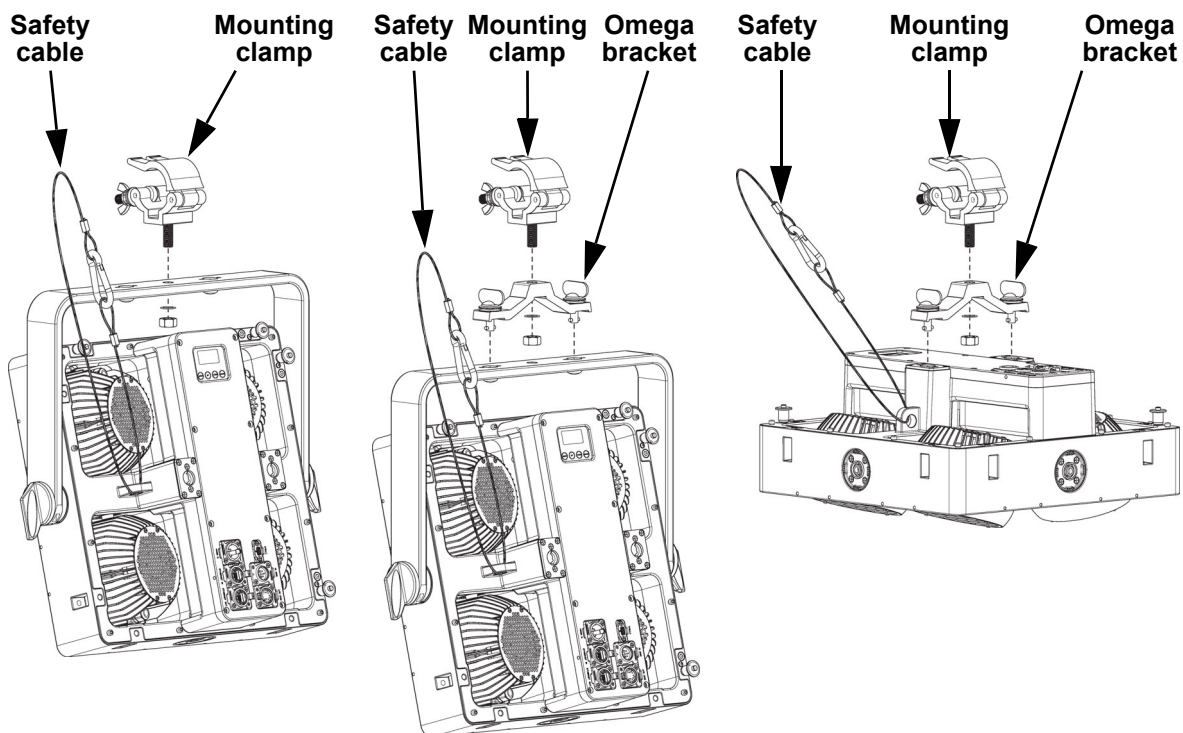
Chauvet recommends using the following general guidelines when mounting this product.

- Before deciding on a location for the product, make sure there is easy access to the product for maintenance and programming purposes.
- Make sure that the structure and attachment points can support the weight before hanging the product. See the [Technical Specifications](#) for weight information.
- When mounting the product overhead, always use a safety cable. Mount the product securely to a rigging point, whether an elevated platform or a truss.
- When rigging the product onto a truss, use a mounting clamp of appropriate weight capacity.

Procedure

The STRIKE Array 4C comes with an Omega bracket. The user can directly attach a mounting clamp to this Omega bracket. Make sure the clamp is capable of supporting the weight of this product. For the Chauvet Professional line of mounting clamps, go to <http://www.trusst.com/products>.

Mounting Diagram

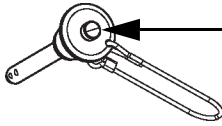


Multi-Product Mounting

The STRIKE Array 4C has an interlocking system to connect multiple STRIKE Array 4C or STRIKE Array 2C products together, vertically or horizontally.

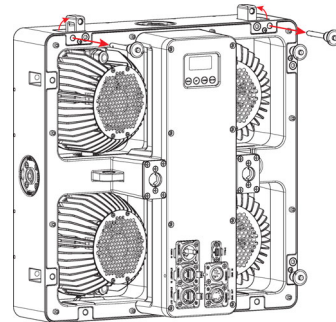
Multi-Product Mounting Diagram

Press and hold the latch button to remove or insert the retaining pins

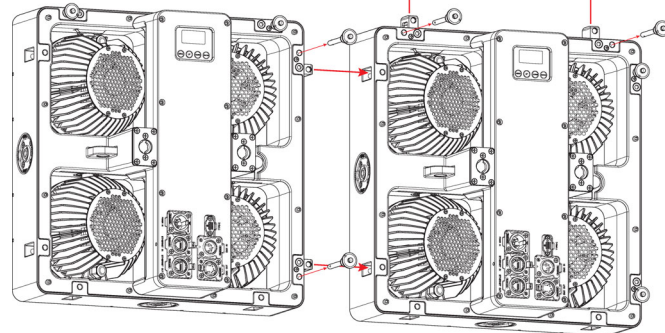
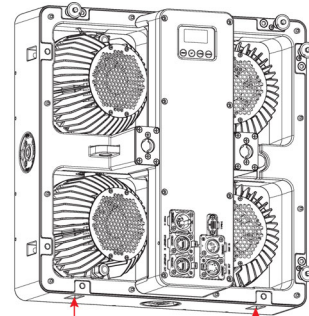


Latch button

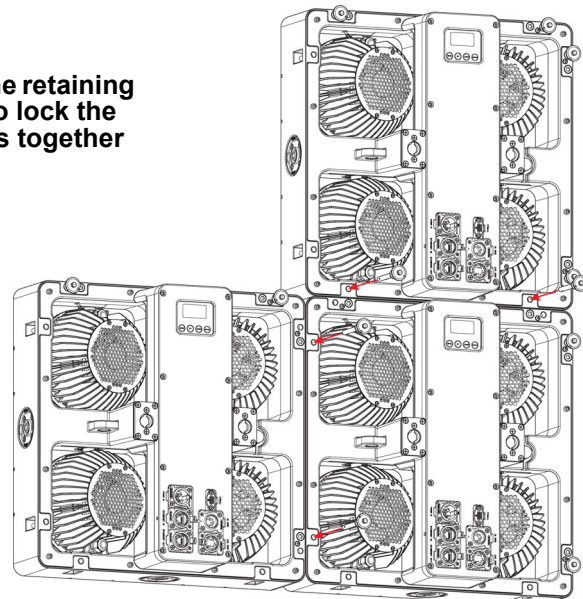
Remove the retaining pins to release the integrated hanging hardware



Insert the integrated hanging hardware into the opening of the next fixture (vertically or horizontally)



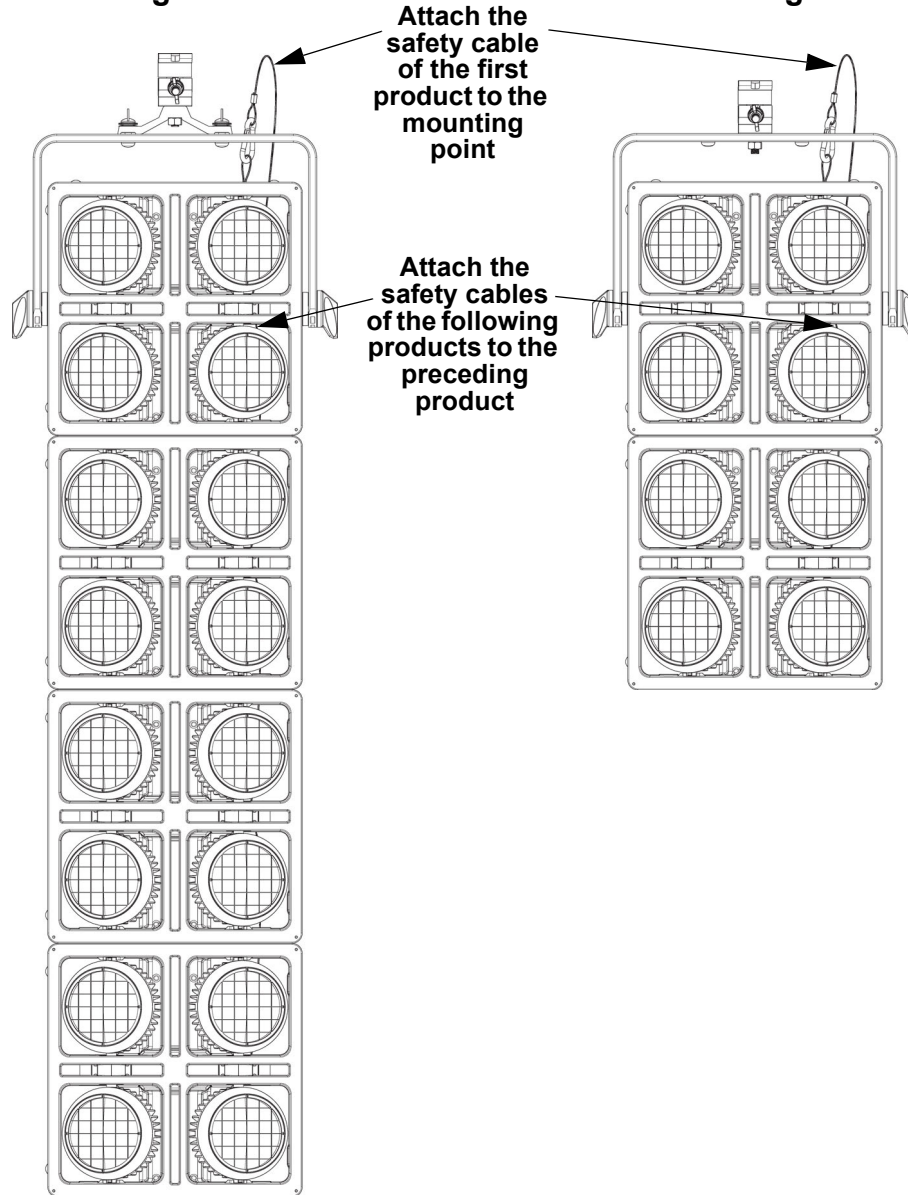
Insert the retaining pins to lock the fixtures together



Mounting Products Attached in Series

With Omega Bracket

Without Omega Bracket

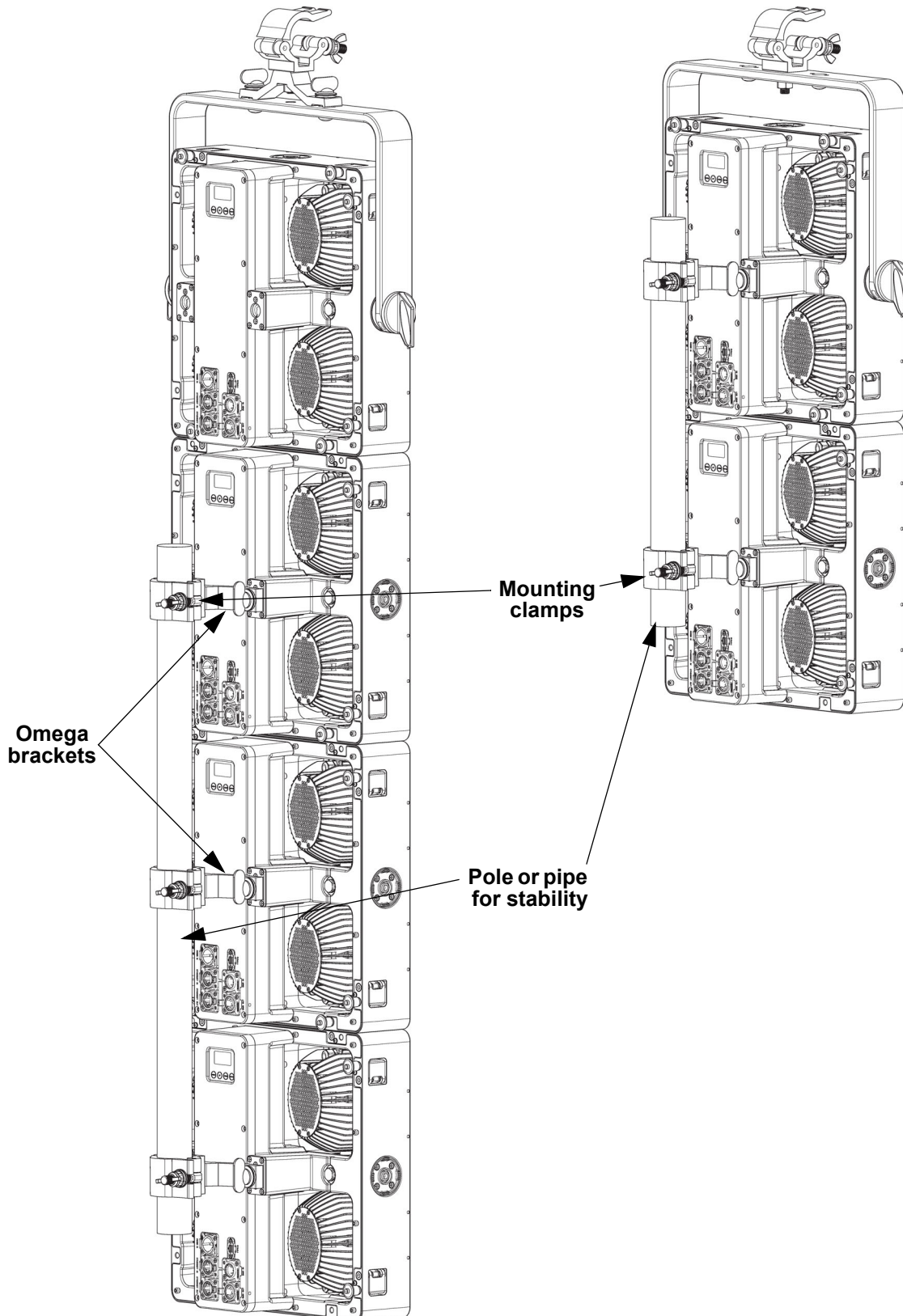


The STRIKE Array 4C maximum vertical hanging load capacity is 80kg. Please refer to the chart below for the weights of individual STRIKE Array fixtures. The weights of cables and other equipment connected to or mounted on the fixtures must be accounted for when calculating the vertical hanging load.

Fixture	Hanging Weight (each)
STRIKE Array 1	3.0 kg
STRIKE Array 1 Driver	2.9 kg
STRIKE Array 2	8.0 kg
STRIKE Array 4	13.0 kg
STRIKE Array 2C	9.4 kg
STRIKE Array 4C	15.4 kg
STRIKE Array Ultra	15.0 kg
STRIKE Bolt 1C	8.7kg

Vertical Mounting Stability

When mounting products attached in series, use omega brackets in the back position to create a spine. This will prevent any motion which may damage the products.



4. Operation

Control Panel Description

Button	Function
<MENU>	Exits from the current menu or function
<UP>	Navigates upwards through the menu list or increases the numeric value when in a function
<DOWN>	Navigates downwards through the menu or decreases the numeric value when in a function
<ENTER>	Enables the currently displayed menu or sets the selected value into the selected function

Programming

Refer to the Menu Map to understand the menu options. The menu map shows the main level and a variable number of programming levels for each option.

- To go to the desired main level, press <MENU> repeatedly until the option shows on the display. Press <ENTER> to select. This will enter the first programming level for that option.
- To select an option or value within the current programming level, press <UP> or <DOWN> until the option shows on the display. Press <ENTER> to select. In this case, if there is another programming level, that first option or the selected value will show on the display.
- Press <MENU> repeatedly to exit to the previous main level.

Passcode

After being prompted to enter the passcode, press <UP>, <DOWN>, <UP>, <DOWN>, <ENTER>.

Menu Map

Refer to the STRIKE Array 4C product page on www.chauvetprofessional.com for the latest menu map and software.

Main Menu	Programming Levels		Description	
Protocol	DMX512		Sets the control protocol	
	Artnet			
	sACN			
DMX Address	001–512*		Selects DMX address (*Highest channel restricted to personality chosen)	
DMX Channel	1Ch	Virtual Color Wheel	1-channel: dimmer	
		Color Temperature		
		Manual Color Mixer		
		3 Ch		3-channel: dimmer, virtual color wheel, color temperature
		5 Ch		5-channel: RGBAW
		7 Ch		7-channel: dimmer, RGBAW, strobe
		10 Ch1		10-channel: 18-bit dimmer, RGBAW, strobe, virtual color wheel, color temperature
		12 Ch		12-channel: dimmer, RGBAW, strobe, virtual color wheel, color temperature, auto programs and speed, control
		13 Ch		13-channel: 18-bit dimmer, 18-bit RGBAW, strobe
		16 Ch		16-channel: 18-bit dimmer, 18-bit RGBAW, strobe, virtual color wheel, color temperature, control
		22 Ch		22-channel: 18-bit RGBAW 1–4, control
		49 Ch		49-channel: 18-bit dimmer 1–4, 18-bit RGBAW 1–4, control
		HSV		3-channel: hue, saturation, value
	4 Ch		4-channel: white 1–4	
	10 Ch2		10-channel: 18-bit dimmer, red shift, strobe, white 1–4, auto programs, dimmer speed	

Main Menu	Programming Levels		Description					
Virtual Color Wheel	Virtual Color Wheel	Md Yellow	Dimmer <000–255>	Virtual Color Wheel simulates the output of each gel color. Refer to the Virtual Color Wheel Chart for specific values.				
		Lt Yellow						
		Amb Yellow						
		VLt Amber						
		Lt Amber						
		Md Amber						
		Dk Amber						
		Lt Red						
		Md Red						
		NC Pink						
		Md Pink						
		Dk Pink						
		Md Red Amber						
		Dk Red Amber						
		Magenta						
		Dk Magenta						
		Lt Lavender						
		Lt Blue						
		VLt Blue						
		Lt Blue 2						
		Blue						
		Md Blue						
		Dk Blue						
		Indigo						
		VDk Blue						
		VDk Blue 2						
		Yel Green						
		Green						
		Turquoise						
		Aqua						
		Blue Green						
		Color Temperature			Color Temperature	2800K	Dimmer <000–255>	Preset white color temperatures. Emulates a tungsten lamp at the specified color temperature. Refer to the Color Temperature Chart for specific values.
						3000K		
3200K								
3500K								
4000K								
4500K								
5000K								
5600K								
6000K								
6500K								
Manual Color Mixer	Manual Color Mixer	Red	<000–255>	Combines red, green, blue, amber, and white to make a custom color (0–100%)				
		Green						
		Blue						
		Amber						
		White						

Main Menu	Programming Levels		Description	
Virtual Color Wheel (cont.)	Color X-Fade Speed	Off	Disables fade transition between colors	
		Fade Speed 1	Enables fade transition between colors in the Virtual Color Wheel menu, from fast (X-Fade Speed 1) to slow (X-Fade Speed 4)	
		Fade Speed 2		
		Fade Speed 3		
		Fade Speed 4		
Auto Show	Auto 1–6	<001–100>	Selects automatic programs and auto program speed	
Red Shift	On		Enables or disables red shift	
	Off			
Master/Slave	Master		Standalone mode	
	Slave		Slave mode	
Dimmer Curve	S-Curve		Sets the dimmer curve	
	Linear			
	Square			
	Inverse Square			
Dimmer Mode	Off		Instantaneous dimmer	
	Dimmer 1–3		Dimmer mode, fast (1) to slow (3)	
Color Calibration	User Calibration	Off	Color calibration off	
		Red	<125–255>	Sets maximum red LED value
		Green		Sets maximum green LED value
		Blue		Sets maximum blue LED value
		Amber		Sets maximum amber LED value
	White	Sets maximum white LED value		
	Factory Calibration		Color calibration set by factory	
LED Frequency	600Hz		Sets the Pulse Width Modulation frequency	
	1200Hz			
	2000Hz			
	4000Hz			
	6000Hz			
	25KHz			
Display Invert	No		Does not invert the display	
	Yes		Inverts the display	
Fan Mode	Auto		Sets the fan to auto mode	
	On		Sets the fan to always on	
	Off		Sets the fan to always off	
	Silent		Sets the fan to silent	
Back Light	10S		Turns off display backlight after 10 seconds of inactivity	
	30S		Turns off display backlight after 30 seconds	
	2Min		Turns off display backlight after 2 minutes of	
	Always On		Display backlight always on	
Key Lock	On		Locks display (password: <UP>, <DOWN>, <UP>, <DOWN>, <ENTER>)	
	Off			
Ethernet Setting	IP Mode	Manual	Manually set IP address	
		DHCP	Network sets IP address	
		Static	Product sets IP address	

Main Menu	Programming Levels		Description
Ethernet Setting (cont.)	Universe	000–255 (Art-net™)	Sets the Art-Net™ or sACN universe
		001–256 (sACN)	
	IP Address	---.---.---.---	Sets each IP address digit from 000–255
	Subnet Mask	---.---.---.---	Sets subnet mask digits 1–3 from 000–255 and digit 4 from 000–254
Ethernet To DMX	<No >		Enables/disables Ethernet to DMX
	<Yes>		
Information	Fixture Hours	<----H>	Shows total hours the product has been powered on
	LED Hours	<----H>	Shows total hours the LEDs have been powered on
	Disp Ver	<V1.0.3>	Shows current display firmware version
	Drv Ver	<V1.0.3>	Shows current driver firmware version
	UID	21A40 ----	Shows product UID
Temperature	<LED1–4:	__ °C >	Shows LED temperatures 1–4 in °C
	<DRV1–1–4:	__ °C >	Shows driver temperatures 1–4 in °C
	<DISP-1:	__ °C >	Shows display temperature in °C
Upgrade Firmware	Only This Fixture	-----CHL	Selects an update file for this product, or shows “ No such file! ”
		...	
	Multiple Fixture	-----CHL	Selects an update file for this and connected STRIKE Array 4C products, or shows “ No such file! ”
		...	
	Other Fixture Type	-----CHL	Selects an update file for other connected products, or shows “ No such file! ”
		...	
Factory Reset	No		Resets the product to factory default settings
	Yes		



When operating in Fan Mode: Off and Fan Mode: Silent, the product will become hotter to the touch than when using other fan modes. Use proper protective equipment to prevent burns. Keep a safe distance from flammable objects.



The “Other Fixture Type” option under Upgrade Firmware can only be selected for connected products compatible with the Upload 03 (the first 2 digits of the item code must be 03).

Operation

Control Configuration

Use control configurations to operate the product with a DMX, Art-Net™, or sACN controller.

Control Mode

The STRIKE Array 4C works with DMX, Art-Net™, and sACN control signals. To select the protocol:

1. Go to the **Protocol** main level.
2. Select the desired protocol, from **DMX512**, **ArtNet**, or **sACN**.



See the [Ethernet Settings](#) section for further setup of ethernet protocols (Art-Net™ or sACN).

Control Personalities

To set the control personality:

1. Go to the **DMX Channel** main level.
2. Select the personality, from **1 Ch**, **3 Ch**, **5 Ch**, **7 Ch**, **10 Ch1**, **12 Ch**, **13 Ch**, **16 Ch**, **22 Ch**, **49 Ch**, **HSV**, **4 Ch**, or **10 Ch2**.



- See the [Starting Address](#) section for the highest selectable starting address for each personality.
- Make sure that the starting addresses on the various products do not overlap.

Starting Address

Each product will respond to a unique starting address from the controller. All products with the same starting address will respond in unison. To set the starting address:

1. Go to the **DMX Address** main level.
2. Select the starting address (**001–512**).

Personality	Highest Address	Products per Universe	Personality	Highest Address	Products per Universe
1 Ch	512	512	16 Ch	497	32
3 Ch	510	170	22 Ch	491	23
5 Ch	508	102	49 Ch	464	10
7 Ch	506	73	HSV	510	170
10 Ch1	503	51	4 Ch	509	128
12 Ch	501	42	10 Ch2	503	51
13 Ch	500	39			

Ethernet Settings

The Ethernet Settings control the universe, start address (Art-Net™ or sACN), IP address, and ethernet conversion functions of the product.

IP Mode

It is possible to set the IP address of the STRIKE Array 4C manually, by the network, or to a preset static address specific to each product. To set the IP mode, follow the instructions below:

1. Go to the **Ethernet Setting** main level.
2. Select the **IP Mode** option.
3. Select the desired IP mode, from **Manual** (set the IP address with the control panel), **DHCP** (the network sets the IP address), or **Static** (a preset address specific to each product).

Universe

To assign an Art-Net™ or sACN universe to the STRIKE Array 4C:

1. Go to the **Ethernet Setting** main level.
2. Select the **Universe** option.
3. Set the universe, from **000–255** (for Art-Net™) or from **001–256** (for sACN).

IP Address

To set the IP address:

1. Go to the **Ethernet Setting** main level.
2. Select the **IP Address** option.
3. Set the first value of the IP address from **000–255**.
4. Press **<ENTER>** to cycle through the 4 values of the IP address.
5. Set the other 3 values from **000–255**.
6. Press **<MENU>** to exit when the IP address is set as desired.

Subnet Mask

To set the subnet mask:

1. Go to the **Ethernet Setting** main level.
2. Select the **Subnet Mask** option.
3. Set the first value of the subnet mask from **000–255**.
4. Press **<ENTER>** to cycle through the 4 values of the subnet mask.
5. Set values 2 and 3 from **000–255**.
6. Set the last value from **000–254**.
7. Press **<MENU>** to exit when the subnet mask is set as desired.

Ethernet to DMX

When Ethernet to DMX is active, the selected universe of the Art-Net™ or sACN signal will be converted to DMX and output through the 5-pin DMX out port.

1. Go to the **Ethernet Setting** main level.
2. Select the **Ethernet To DMX** option.
3. Select from **No** (do not convert) or **Yes** (convert).

Virtual Color Wheel

The STRIKE Array 4C includes a feature called the Virtual Color Wheel (VCW). This feature is available as a standalone control mode and as a control channel in select DMX personalities. More than 30 premixed colors, custom blended by Chauvet engineers, are available to call up for easier programming.

The DMX values used for these colors are provided below. The intensity of the output can be adjusted to more closely replicate industry-standard colors. A chart is available at www.chauvetprofessional.com to compare Chauvet's premixed colors with popular gel colors. This chart is for comparison purposes only and is not an assertion that Chauvet's premixed colors match any of the gel colors listed.

Virtual Color Wheel Chart

DMX Value	Display Readout	Red	Green	Blue	Amber	White
000 ⇔ 005	--	--	--	--	--	--
006 ⇔ 013	C3050–Md Yellow	255	225	000	255	037
014 ⇔ 021	C3040–Lt Yellow	255	177	003	255	037
022 ⇔ 028	C3240–Amb Yellow	255	220	000	255	000
029 ⇔ 035	C2340–VLt Amber	195	000	015	255	057
036 ⇔ 043	C2040–Lt Amber	255	000	011	255	061
044 ⇔ 051	C2050–Md Amber	255	053	000	255	017
052 ⇔ 059	C2060–Dk Amber	255	008	000	255	017
060 ⇔ 067	C1050–Lt Red	255	000	003	014	000
068 ⇔ 075	C1080–Md Red	255	000	002	000	000
076 ⇔ 083	C1020–NC Pink	255	075	062	255	073
084 ⇔ 091	C1030–Md Pink	255	075	057	255	041
092 ⇔ 099	C1630–Dk Pink	218	077	057	255	061
100 ⇔ 107	C1250–Md Red Amber	255	000	009	168	000
108 ⇔ 115	C1060–Dk Red Amber	255	005	009	036	000
116 ⇔ 121	C1650–Magenta	255	003	062	255	012
122 ⇔ 130	C6170–Dk Magenta	255	000	055	000	000
131 ⇔ 138	C6020–Lt Lavender	255	220	093	255	044
139 ⇔ 146	C5030–Lt Blue	000	255	159	112	078
147 ⇔ 154	C5020–VLt Blue	000	215	145	196	065
155 ⇔ 162	C5430–Lt Blue2	000	215	132	52	092
163 ⇔ 170	C5070–Blue	000	195	188	000	019
171 ⇔ 178	C5050–Md Blue	000	163	190	000	068
179 ⇔ 186	C5060–Dk Blue	000	128	193	000	038
187 ⇔ 194	C5690–Indigo	053	009	255	000	000
195 ⇔ 202	C5080–VDk Blue	007	084	116	000	000
203 ⇔ 210	C5081–VDk Blue2	011	082	139	000	000
211 ⇔ 218	C4370–Yel Green	000	255	002	025	000
219 ⇔ 226	C4070–Green	000	255	009	000	175
227 ⇔ 234	C4550–Turquoise	000	255	087	096	255
235 ⇔ 242	C4560–Aqua	000	255	098	044	255
243 ⇔ 250	C4570–Blue Green	000	255	026	008	000
251 ⇔ 255	--	--	--	--	--	--



The colors above are simulated renditions of the color output produced compared with other similar incandescent products. Chauvet makes no guarantee of the color output accuracy.

Color Temperature Chart

DMX Value	Color Temperature	Red	Green	Blue	Amber	White
000 ⇔ 005	No function					
006 ⇔ 025	2800K	253	000	025	255	145
026 ⇔ 050	3000K	251	005	033	255	161
051 ⇔ 075	3200K	245	009	045	255	173
076 ⇔ 100	3500K	230	030	058	255	185
101 ⇔ 125	4000K	210	058	084	255	203
126 ⇔ 150	4500K	174	078	107	255	204
151 ⇔ 175	5000K	163	103	137	255	206
176 ⇔ 200	5600K	162	127	172	255	229
201 ⇔ 225	6000K	158	134	192	241	231
226 ⇔ 250	6500K	152	152	206	225	231
251 ⇔ 255	No function					



The color temperatures above are simulated renditions of the color output produced compared with a tungsten lamp at the specified color temperature. Chauvet makes no guarantee of the color output accuracy.

DMX Channel Assignments and Values

Control Chart

Value	Percent/Setting	Value	Percent/Setting
000 ⇔ 007	No function	096 ⇔ 103	Fan mode auto
008 ⇔ 015	Reset dimmer	104 ⇔ 111	Fan mode on
016 ⇔ 023	Red shift on	112 ⇔ 119	Fan mode off
024 ⇔ 031	Red shift off	120 ⇔ 127	Fan mode silent
032 ⇔ 039	S-curve dimmer	128 ⇔ 135	X-Fade speed off
040 ⇔ 047	Linear dimmer	136 ⇔ 143	X-Fade speed 1
048 ⇔ 055	Square dimmer	144 ⇔ 151	X-Fade speed 2
056 ⇔ 063	Inverse square dimmer	152 ⇔ 159	X-Fade speed 3
064 ⇔ 071	Dimmer mode off	160 ⇔ 167	X-Fade speed 4
072 ⇔ 079	Dimmer mode 1 (fast)	168 ⇔ 243	Reserved for future use
080 ⇔ 087	Dimmer mode 2	244 ⇔ 249	Dimmer mode override (instant engage)
088 ⇔ 095	Dimmer mode 3 (slow)	250 ⇔ 255	Reserved for future use

49 Ch / 22 Ch

22	49	Function	Value	Percent/Setting
1	–	Dimmer	000 ⇔ 255	0–100%
–	1	Dimmer 1	000 ⇔ 255	0–100%
–	2	Fine dimmer 1	000 ⇔ 255	0–100%
2	3	Red 1	000 ⇔ 255	0–100%
–	4	Fine red 1	000 ⇔ 255	0–100%
3	5	Green 1	000 ⇔ 255	0–100%
–	6	Fine green 1	000 ⇔ 255	0–100%
4	7	Blue 1	000 ⇔ 255	0–100%
–	8	Fine blue 1	000 ⇔ 255	0–100%
5	9	Amber 1	000 ⇔ 255	0–100%
–	10	Fine amber 1	000 ⇔ 255	0–100%
6	11	White 1	000 ⇔ 255	0–100%

Operation

22	49	Function	Value	Percent/Setting
-	12	Fine white 1	000 ⇔ 255	0-100%
-	13	Dimmer 2	000 ⇔ 255	0-100%
-	14	Fine dimmer 2	000 ⇔ 255	0-100%
7	15	Red 2	000 ⇔ 255	0-100%
-	16	Fine red 2	000 ⇔ 255	0-100%
8	17	Green 2	000 ⇔ 255	0-100%
-	18	Fine green 2	000 ⇔ 255	0-100%
9	19	Blue 2	000 ⇔ 255	0-100%
-	20	Fine blue 2	000 ⇔ 255	0-100%
10	21	Amber 2	000 ⇔ 255	0-100%
-	22	Fine amber 2	000 ⇔ 255	0-100%
11	23	White 2	000 ⇔ 255	0-100%
-	24	Fine white 2	000 ⇔ 255	0-100%
-	25	Dimmer 3	000 ⇔ 255	0-100%
-	26	Fine dimmer 3	000 ⇔ 255	0-100%
12	27	Red 3	000 ⇔ 255	0-100%
-	28	Fine red 3	000 ⇔ 255	0-100%
13	29	Green 3	000 ⇔ 255	0-100%
-	30	Fine green 3	000 ⇔ 255	0-100%
14	31	Blue 3	000 ⇔ 255	0-100%
-	32	Fine blue 3	000 ⇔ 255	0-100%
15	33	Amber 3	000 ⇔ 255	0-100%
-	34	Fine amber 3	000 ⇔ 255	0-100%
16	35	White 3	000 ⇔ 255	0-100%
-	36	Fine white 3	000 ⇔ 255	0-100%
-	37	Dimmer 4	000 ⇔ 255	0-100%
-	38	Fine dimmer 4	000 ⇔ 255	0-100%
17	39	Red 4	000 ⇔ 255	0-100%
-	40	Fine red 4	000 ⇔ 255	0-100%
18	41	Green 4	000 ⇔ 255	0-100%
-	42	Fine green 4	000 ⇔ 255	0-100%
19	43	Blue 4	000 ⇔ 255	0-100%
-	44	Fine blue 4	000 ⇔ 255	0-100%
20	45	Amber 4	000 ⇔ 255	0-100%
-	46	Fine amber 4	000 ⇔ 255	0-100%
21	47	White 4	000 ⇔ 255	0-100%
-	48	Fine white 4	000 ⇔ 255	0-100%
22	49	Control	000 ⇔ 255	See the Control Chart

16 Ch / 13 Ch / 12 Ch / 10 Ch1 / 7 Ch / 5 Ch / 3 Ch

3	5	7	10	12	13	16	Function	Value	Percent/Setting
1	1	1	1	1	1	1	Dimmer	000 ⇄ 255	0–100%
–	–	–	2	–	2	2	Fine dimmer	000 ⇄ 255	0–100%
–	2	2	3	2	3	3	Red	000 ⇄ 255	0–100%
–	–	–	–	–	4	4	Fine red	000 ⇄ 255	0–100%
–	3	3	4	3	5	5	Green	000 ⇄ 255	0–100%
–	–	–	–	–	6	6	Fine green	000 ⇄ 255	0–100%
–	4	4	5	4	7	7	Blue	000 ⇄ 255	0–100%
–	–	–	–	–	8	8	Fine blue	000 ⇄ 255	0–100%
–	5	5	6	5	9	9	Amber	000 ⇄ 255	0–100%
–	–	–	–	–	10	10	Fine amber	000 ⇄ 255	0–100%
–	–	6	7	6	11	11	White	000 ⇄ 255	0–100%
–	–	–	–	–	12	12	Fine white	000 ⇄ 255	0–100%
–	–	7	8	7	13	13	Strobe	000 ⇄ 010 011 ⇄ 255	No function Strobe, slow to fast
2	–	–	9	8	–	14	Virtual color wheel	000 ⇄ 255	See the Virtual Color Wheel Chart
3	–	–	10	9	–	15	Color temperature	000 ⇄ 255	See the Color Temperature Chart
–	–	–	–	10	–	–	Automatic program	000 ⇄ 010 011 ⇄ 040 041 ⇄ 080 081 ⇄ 120 121 ⇄ 160 161 ⇄ 200 201 ⇄ 255	No function Automatic program 1 Automatic program 2 Automatic program 3 Automatic program 4 Automatic program 5 Automatic program 6
–	–	–	–	11	–	–	Program speed	000 ⇄ 255	Slow to fast
–	–	–	–	12	–	16	Control	000 ⇄ 255	See the Control Chart

HSV

Channel	Function	Value	Percent/Setting
1	Hue	000 ⇄ 255	0–100%
2	Saturation	000 ⇄ 255	0–100%
3	Value	000 ⇄ 255	0–100%

1 Ch

Channel	Function	Value	Percent/Setting
1	Dimmer	000 ⇄ 255	0–100% (color set through display menu)

Operation

10 Ch2 / 4 Ch

4	10	Function	Value	Percent/Setting	
-	1	Dimmer	000 ⇔ 255	0–100%	
-	2	Fine dimmer	000 ⇔ 255	0–100%	
-	3	Red shift	000	Red shift on	
			001 ⇔ 255	Red shift off	
-	4	Strobe	000 ⇔ 010	No function	
			011 ⇔ 132	Strobe, slow to fast	
			133 ⇔ 255	Random strobe, slow to fast	
1	5	White 1	000 ⇔ 255	0–100%	
2	6	White 2	000 ⇔ 255	0–100%	
3	7	White 3	000 ⇔ 255	0–100%	
4	8	White 4	000 ⇔ 255	0–100%	
-	9	Automatic program	000 ⇔ 010	No function	
			011 ⇔ 040	Automatic program 1, slow to fast	
			041 ⇔ 080	Automatic program 2, slow to fast	
			081 ⇔ 120	Automatic program 3, slow to fast	
			121 ⇔ 160	Automatic program 4, slow to fast	
			161 ⇔ 200	Automatic program 5, slow to fast	
			201 ⇔ 240	Automatic program 6, slow to fast	
241 ⇔ 255	No function				
-	10	Dimmer speed mode	000 ⇔ 051	No function	
			053 ⇔ 101	Dimmer mode off	Hold for 3 seconds, overrides and changes menu
			102 ⇔ 152	Dimmer mode 1 (fast)	
			153 ⇔ 203	Dimmer mode 2	
			204 ⇔ 255	Dimmer mode 3 (slow)	

Standalone Configuration

Static Mode

The static mode options under **Virtual Color Wheel** also include preset color temperatures, a manual color mixer, and cross-fade speed.

Virtual Color Wheel

To select from the Virtual Color Wheel:

1. Go to the **Virtual Color Wheel** main level.
2. Select the **Virtual Color Wheel** option.
3. Select the desired virtual gel color (see the [Virtual Color Wheel Chart](#)).
4. Set the **Dimmer** value (**0–255**).

Color Temperature

To select a preset color temperature:

1. Go to the **Virtual Color Wheel** main level.
2. Select the **Color Temperature** option.
3. Select the desired color temperature (see the [Color Temperature Chart](#)).
4. Set the **Dimmer** value (**0–255**).

Manual Color Mixer

To manually mix a custom static color:

1. Go to the **Virtual Color Wheel** main level.
2. Select the **Manual** option.
3. Select the color to edit (**Red, Green, Blue, Amber, or White**).
4. Set the value for the selected color (**0–255**).
5. Repeat steps 3 and 4 until product outputs as desired.

Color X-Fade Speed

The Color X-Fade Speed option creates a fade transition between colors when using colors in the Virtual Color Wheel or the Color Temperature chart.

1. Go to the **Virtual Color Wheel** main level.
2. Select **Color X-Fade Speed**.
3. Select **Fade Speed 1–4** (from fast to slow) or **Off** (to turn off the fade transition between colors).

Auto Show

To select an automatic program:

1. Go to the **Auto Show** main level.
2. Select the desired auto program (**Auto 1–6**).
3. Set the **Speed** value (**1–100**).

Settings Configuration

Red Shift

With red shift enabled, the color temperature will warm as the dimmer decreases in imitation of a lamp. To enable or disable the red shift function:

1. Go to the **Red Shift** main level.
2. Select from **On** or **Off**.

Master/Slave

To set the STRIKE Array 4C product to master or slave mode:

1. Go to the **Master/Slave** main level.
2. Select from **Master** (sends control signal) or **Slave** (receives control signal).



- **Configure all the slave products before connecting the master to the daisy chain.**
- **Never connect a DMX controller to a DMX string configured for Master/Slave operation because the controller may interfere with the signals from the master.**
- **Do not connect more than 31 slaves to the master.**

Dimmer Curve

To set the dimmer curve:

1. Go to the **Red Shift** main level.
2. Select from **S-Curve, Linear, Square, or Inverse Square**.

Operation

Dimmer Speed Mode

To set the dimmer speed:

1. Go to the **Dimmer Mode** main level.
2. Select the dimmer speed mode from **Off** (instant), **Dimmer 1** (fastest), **Dimmer 2**, or **Dimmer 3** (slowest).

Color Calibration

To configure the color calibration:

1. Go to the **Color Calibration** main level.
2. Select from **Off**, **User Calibration**, or **Factory Calibration**.
3. If **User Calibration**, select the maximum color value to edit, from **Red**, **Green**, **Blue**, **Amber**, or **White**.
4. Set the maximum level for the selected color, from **125–255**.
5. Repeat until the colors are calibrated as desired.

Pulse Width Modulation

To set the frequency of the pulse width modulation:

1. Go to the **LED Frequency** main level.
2. Select the PWM frequency, from **600Hz**, **1200Hz**, **2000Hz**, **4000Hz**, **6000Hz**, or **25KHz**.

Display Invert

To invert the display:

1. Go to the **Display Invert** main level.
2. Select from **No** (does not invert the display) or **Yes** (inverts the display).

Fan Mode

To set the fan mode:

1. Go to the **Fan Mode** main level.
2. Select the fan mode, from **Auto** (adjusts to product temperature), **On** (always on), **Off** (always off), or **Silent** (silent mode).

Display Backlight

To set how long the display will stay lit without activity:

1. Go to the **Back Light** main level.
2. Select from **10S** (10 seconds), **30S** (30 seconds), **2Min** (2 minutes), or **Always On**.

Key Lock

To lock or unlock the control panel:

1. Go to the **Settings** main level.
2. Select the **Key Lock** option.
3. Select **On** (locks control panel) or **Off** (control panel stays unlocked).



When the key lock is activated, the product will prompt for the passcode in order to access the menu. The passcode is <UP>, <DOWN>, <UP>, <DOWN>, <ENTER>.

Information

To view product information, such as the number of hours the product has been on, the driver firmware, etc., go to the **Information** main level.

Temperature

To view the temperatures of the LEDs, driver boards, or the display board in °C, go to the **Temperature** main level.

Factory Reset

To reset the product to factory default settings:

1. Go to the **Factory Reset** main level.
2. Select **No** (do not reset) or **Yes** (reset).

Web Server

The STRIKE Array 4C Web Server can be accessed by any computer on the same network as the product. It allows network access to system information, settings such as control protocol and starting address, color output testing, and the ability to change the Web Server password.

1. Connect the product to a Windows computer with a network cable.
2. On the computer, set the IP address of the new network to have the same first 3 digits as the IP address of the product (See [IP Address](#)).
3. Enter the IP address of the product into the URL bar of a web browser on the computer.
4. Enter both the User Name and Password as **admin** to log in.

Home

The Web Server Home page displays the details of all available control personalities and the technical specifications for the STRIKE Array 4C.

Settings

The Web Server Settings page provides options for control. From the drop-down menus, the Protocol, Universe, Start Address, IP Address, Ethernet to DMX, Personality, Dimmer Curve, Dimmer Mode, and PWM Frequency can all be edited. Click **Save Settings** to send the new configuration to the product.

Output

On the Web Server Output page, an output test of the product's LEDs can be performed, by either editing the values of each LED manually (by typing the number or moving the fader), or by selecting a sample color. The page will show the current output color on the bottom left.

Security

The Web Server Security page gives the option to change the password to the connected product's web server. Enter the old password (**admin**, by default) and the new password twice, then click **Save Settings** to change the password.

Error Codes

See the table below for error codes and recommended solutions:

Error Code	Possible Reason	Potential Solution
Temperature shows -40°C	The thermistor is not welded properly	Repair or replace the thermistor PCB
	The temperature control wire is disconnected or has a poor connection	Check the wire connection
Temperature shows 125°C	The thermistor is not welded properly	Repair or replace the thermistor PCB
	The temperature control connector has a short circuit	Check the wire connector
No such file!	USB has poor connection	Replug the USB
	USB internal wires have poor connection	Change the USB
	No upgrade file in the USB	Check the files in the USB
Model error!	Error reading a file	Check if the content of the file is correct

5. Maintenance

Product Maintenance

Dust build-up reduces light output performance and can cause overheating. This can lead to reduction of the light source's life and/or mechanical wear. To maintain optimum performance and minimize wear, clean each lighting product at least twice a month. However, be aware that usage and environmental conditions could be contributing factors to increase the cleaning frequency.

To clean the product, follow the instructions below:

1. Unplug the product from power.
2. Wait until the product is at room temperature.
3. Use a vacuum (or dry compressed air) and a soft brush to remove dust collected on the external surface/vents.
4. Clean all transparent surfaces with a mild soap solution, ammonia-free glass cleaner, or isopropyl alcohol.
5. Apply the solution directly to a soft, lint free cotton cloth or a lens cleaning tissue.
6. Softly drag any dirt or grime to the outside of the transparent surface.
7. Gently polish the transparent surfaces until they are free of haze and lint.



Always dry the transparent surfaces carefully after cleaning them.



Do not spin the cooling fans with compressed air. Damage may result.

Torque Measurements

To maintain the IP rating when reassembling the product, use the given torque measurements for each of the following screws and bolts:

Fixture Parts	Torque Rating (Kgf.cm)	Torque Rating (lgb.in)
Power, USB, and DMX connectors	6	5.20776
Back cover	6	5.20776
Top cover	4	3.47184

Vacuum Test Measurements

Use the IP Tester from Chauvet Professional to ensure the product has been reassembled correctly by following the information below:

Parameters	Values
Method	Positive
Test pressure	40 kPa
Test duration	30 seconds
PASS state leak pressure	<0.5 kPa

6. Technical Specifications

Dimensions and Weight

Length	Width	Height	Weight
19.13 in (486 mm)	7.545 in (191.64 mm)	17.8 in (452 mm)	34.4 lb (15.4 kg)

Note: Dimensions in inches are rounded.

Power

Power Supply Type	Range	Voltage Selection
Switching (internal)	100 to 240 VAC, 50/60 Hz	Auto-ranging

Parameter	100 V, 60 Hz	120 V, 60 Hz	208 V, 60 Hz	230 V, 50 Hz	240 V, 50 Hz
Consumption	1,247 W	1,180 W	1,150 W	1,140 W	1,130 W
Operating Current	12.17 A	9.92 A	5.60 A	5.02 A	4.82 A

Power I/O	U.S./Worldwide	UK/Europe
Power Input Connectors Power Cable plug	Seetronic Powerkon IP65 Edison	Seetronic Powerkon IP65 Local plug

Light Source

Type	Color	Quantity	Power	Current	Lifespan
LED	Quad-color RGBA	112	2.7–4.32 W	871 mA	50,000 hours
LED	Warm white	156			

Photometrics

Color Temp. Range	CRI	Beam angle	Field angle	Lumens	Illuminance @ 5 m
2800 to 6500 K	94.6	59.6°	102.2°	53,481	1,979 lux

Thermal

Maximum External Temperature	Cooling System
113 °F (45 °C)	Fan-assisted Convection

Control

DMX I/O Connector	Art-Net™ / sACN I/O Connector	Channel Range
5-pin XLR	Seetronic Etherkon	1, 3, 5, 7, 10, 12, 13, 16, 22, 49, HSV, 4, or 10

Ordering

Product Name	Item Name	Item Code	UPC Number
STRIKE Array 4C	STRIKEARRAY4C	03052065	781462224134



UL 1573
CSA C22.2 No. 166
E113093



Contact Us

General Information	Technical Support
Chauvet World Headquarters	
Address: 3360 Davie Rd., Suite 509 Davie, FL 33314 Voice: (954) 577-4455 Fax: (954) 929-5560 Toll Free: (800) 762-1084	Voice: (844) 393-7575 Fax: (954) 756-8015 Email: chauvetcs@chauvetlighting.com Website: www.chauvetprofessional.com
Chauvet U.K.	
Address: Pod 1 EVO Park Little Oak Drive, Sherwood Park Nottinghamshire, NG15 0EB UK Voice: +44 (0) 1773 511115 Fax: +44 (0) 1773 511110	Email: UKtech@chauvetlighting.eu Website: www.chauvetprofessional.eu
Chauvet Benelux	
Address: Vaartlaan 9 9800 Deinze Belgium Voice: +32 9 388 93 97	Email: BNLtech@chauvetlighting.eu Website: www.chauvetprofessional.eu
Chauvet France	
Address: 3, Rue Ampère 91380 Chilly-Mazarin France Voice: +33 1 78 85 33 59	Email: FRtech@chauvetlighting.fr Website: www.chauvetprofessional.eu
Chauvet Germany	
Address: Bruno-Bürgel-Str. 11 28759 Bremen Germany Voice: +49 421 62 60 20	Email: DEtech@chauvetlighting.de Website: www.chauvetprofessional.eu
Chauvet Mexico	
Address: Av. de las Partidas 34 - 3B (Entrance by Calle 2) Zona Industrial Lerma Lerma, Edo. de México, CP 52000 Voice: +52 (728) 690-2010	Email: servicio@chauvet.com.mx Website: www.chauvetprofessional.mx

Warranty & Returns

For warranty terms and conditions and return information, please visit our website.

For customers in the United States and Mexico: www.chauvetlighting.com/warranty-registration.

For customers in the United Kingdom, Republic of Ireland, Belgium, the Netherlands, Luxembourg, France, and Germany: www.chauvetlighting.eu/warranty-registration.