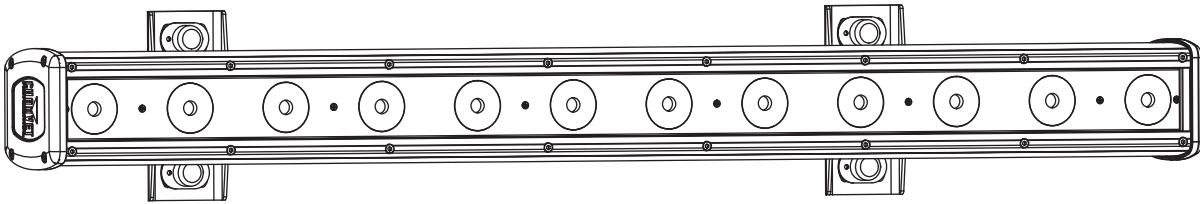


COLORdash Batterien-H 12XIP

User Manual



Model ID: COLORDASHBATTENH12XIP

Edition Notes

The COLORdash Batten H12X IP User Manual includes a description, safety precautions, installation, programming, operation, and maintenance instructions for the COLORdash Batten H12X IP as of the release date of this edition.

Trademarks

Chauvet, Chauvet Professional, the Chauvet logo, and COLORdash are registered trademarks or trademarks of Chauvet & Sons, LLC (d/b/a Chauvet and Chauvet Lighting) in the United States and other countries. Other company and product names and logos referred to herein may be trademarks of their respective companies.

Copyright Notice

The works of authorship contained in this manual, including, but not limited to, all designs, texts, and images are owned by Chauvet.

© Copyright 2026 Chauvet & Sons, LLC. All rights reserved.

Electronically published by Chauvet in the United States of America.

Manual Use

Chauvet authorizes its customers to download and print this manual for professional information purposes only. Chauvet expressly prohibits the usage, copy, storage, distribution, modification, or printing of this manual or its content for any other purpose without written consent from Chauvet.

Document Printing

For best results, print this document in color, on letter size paper (8.5 x 11 in), double-sided. If using A4 paper (210 x 297 mm), configure the printer to scale the content accordingly.

Intended Audience

Any person installing, operating, and/or maintaining this product should completely read through the guide that shipped with the product, as well as this manual, before installing, operating, or maintaining this product.

Disclaimer

Chauvet believes that the information contained in this manual is accurate in all respects. However, Chauvet assumes no responsibility and specifically disclaims any and all liability to any party for any loss, damage, or disruption caused by any errors or omissions in this document, whether such errors or omissions result from negligence, accident, or any other cause. Chauvet reserves the right to revise the content of this document without any obligation to notify any person or company of such revision; however, Chauvet has no obligation to make, and does not commit to make, any such revisions.

Document Revision

Go to www.chauvetprofessional.com for the latest version.

Revision	Date	Description
2	04/2026	Initial release.

TABLE OF CONTENTS

1. Before You Begin	1
What Is Included	1
Claims	1
Text Conventions	1
Symbols	1
Safety Notes.....	2
FCC Statement of Compliance	3
RF Exposure Warning for North America, and Australia.....	3
Expected LED Lifespan.....	3
2. Introduction.....	4
Features	4
Product Overview.....	4
Product Dimensions	5
3. Setup.....	6
AC Power	6
AC Plug.....	6
Power Linking.....	6
DMX Linking.....	6
DMX Personalities.....	6
Remote Device Management.....	6
Master/Slave Connectivity.....	7
Mounting	7
Orientation.....	7
Rigging	7
Procedure.....	7
4. Operation.....	8
Control Panel Operation.....	8
Passcode	8
Menu Map	8
DMX Configuration.....	12
Control Personalities	12
Starting Address.....	12
Control Channel Assignments and Values.....	13
DMX Mode 59CH / 47CH / 42CH.....	13
DMX Mode 14CH /13CH / 9CH / 8CH / 6CH	15
Color Macro Chart.....	15
Standalone Configuration.....	16
Fixed Color.....	16
Color Temperature	16
Manual Color Mixer	16
Auto Show.....	16
Settings Configuration.....	16
Master/Slave	16
Dimmer Speed	16
White Balance	17
LED Frequency	17
Back Light	17
Key Lock	17
Information	17
Factory Reset.....	17
System Update.....	17
5. Maintenance.....	18
Product Maintenance	18
6. Technical Specifications.....	19
Contact Us.....	20
Warranty & Returns.....	20

1. Before You Begin

What Is Included

- COLORdash Batten H12X IP
- Neutrik powerCON TRUE1 power cable
- Omega brackets (x2)
- Quick Reference Guide

Claims

Carefully unpack the product immediately and check the container to make sure all the parts are in the package and are in good condition.




If the box or the contents (the product and included accessories) appear damaged from shipping, or show signs of mishandling, notify the carrier immediately, not Chauvet. Failure to report damage to the carrier immediately may invalidate a claim. In addition, keep the box and contents for inspection.

For other issues, such as missing components or parts, damage not related to shipping, or concealed damage, file a claim with Chauvet within 7 days of delivery.

Text Conventions

Convention	Meaning
1–512	A range of values
50/60	A set of values of which only one can be chosen
Settings	A menu option not to be modified
<ENTER>	A key to be pressed on the product’s control panel

Symbols

Symbol	Meaning
	Critical installation, configuration, or operation information. Not following these instructions may make the product not work, cause damage to the product, or cause harm to the operator.
	Important installation or configuration information. The product may not function correctly if this information is not used.
	Useful information.



The term “DMX” used throughout this manual refers to the USITT DMX512-A digital data transmission protocol.



The term “DMX” used throughout this manual refers to the USITT DMX512-A digital data transmission protocol.

Connection of the control signal: DMX line

- The product has XLR sockets for DMX input and output.
- Notice: This control circuit is isolated and belongs to the Class 2 data port.

The control circuit has a cumulative leakage current of less than 3.5 mA.

Before You Begin

Safety Notes

These Safety Notes include important information about installation, use, and maintenance of the COLORdash Batten H12X IP.

- The luminaire is intended for professional use only.
- The luminaire should be positioned so that prolonged staring into the luminaire at a distance closer than 3.28 ft (1 m) is not expected.
- If the external flexible cable or cord of this luminaire is damaged, it shall be replaced by a special cord or cord exclusively available from the manufacturer or its service agent.
- The light source contained in this luminaire shall only be replaced by the manufacturer or its service agent or a similar qualified person.
- **CAUTION:**
 - This product's housing may be hot when operating. Mount this product in a location with adequate ventilation, at least 20 in (50 cm) from adjacent surfaces.
 - When transferring the product from extreme temperature environments, (e.g., cold truck to warm humid ballroom) condensation may form on the internal electronics of the product. To avoid causing a failure, allow the product to fully acclimate to the surrounding environment before connecting it to power.
 - Flashing light is known to trigger epileptic seizures. User must comply with local laws regarding notification of strobe use.
- **ALWAYS:**
 - Disconnect from power before cleaning the product or replacing the fuse.
 - When using an IP65-rated product in an outdoor environment, use IP65- (or higher) rated power and data cable.
 - Replace and secure IP-rated protective covers to all power, data, USB, or other ports when not in use.
 - Replace the fuse with the same type and rating.
 - Use a safety cable when mounting this product overhead.
 - Connect this product to a grounded and protected circuit.
- **DO NOT:**
 - Open this product. It contains no user-serviceable parts.
 - Look at the light source when the product is on.
 - Leave any flammable material within 50 cm of this product while operating or connected to power.
 - Connect this product to a dimmer or rheostat.
 - Operate this product if the housing, lenses, or cables appear damaged.
 - Submerge this product (adhere to standards for the published IP rating). Regular outdoor operation is fine.
 - Permanently install outdoors in locations with extreme environmental conditions. This includes, but is not limited to:
 - Exposure to a marine/saline environment (within 3 miles of a saltwater body of water).
 - Locations where normal temperatures exceed the temperature ranges in this manual.
 - Locations that are prone to flooding or being buried in snow.
 - Other areas where the product will be subject to extreme radiation or caustic substances.
 - ONLY use the hanging/mounting bracket to carry this product.
 - The maximum ambient temperature is 113 °F (45 °C). Do not operate this product at higher temperatures.
 - The minimum startup temperature is -14°F (-10°C). Do not start the product at lower temperatures.
 - To eliminate unnecessary wear and improve its lifespan, during periods of non-use completely disconnect the product from power via breaker or by unplugging it.
 - In the event of a serious operating problem, stop using immediately.



This product contains no user-serviceable parts. Any reference to servicing in this User Manual will only apply to properly trained, certified technicians. Do not open the housing or attempt any repairs.



All applicable local codes and regulations apply to proper installation of this product.



If this Chauvet product requires service, contact Chauvet Technical Support.

FCC Statement of Compliance

This device complies with Part 15 Part B of the FCC rules. Operation is subject to the following two conditions:

1. This device may not cause harmful interference, and
2. This device must accept any interference received, including interference that may cause undesired operation.

This equipment has been tested and found to comply with the limits for a Class B digital device, pursuant to Part 15 of the FCC Rules. These limits are designed to provide reasonable protection against harmful interference in a residential installation. This equipment generates uses and can radiate radio frequency energy and, if not installed and used in accordance with the instructions, may cause harmful interference to radio communications. However, there is no guarantee that interference will not occur in a particular installation. If this equipment does cause harmful interference to radio or television reception, which can be determined by turning the equipment off and on, the user is encouraged to try to correct the interference by one or more of the following measures:

- Reorient or relocate the receiving antenna.
- Increase the separation between the equipment and receiver.
- Connect the equipment into an outlet on a circuit different from that to which the receiver is connected.
- Consult the dealer or an experienced radio/TV technician for help.

Any changes or modifications not expressly approved by the party responsible for compliance could void the user's authority to operate the equipment.

RF Exposure Warning for North America, and Australia

Warning! This equipment complies with FCC radiation exposure limits set forth for an uncontrolled environment. This equipment should be installed and operated with a minimum distance of 20cm between the radiator and the user. This transmitter must not be co-located or operating in conjunction with any other antenna or transmitter.

Expected LED Lifespan

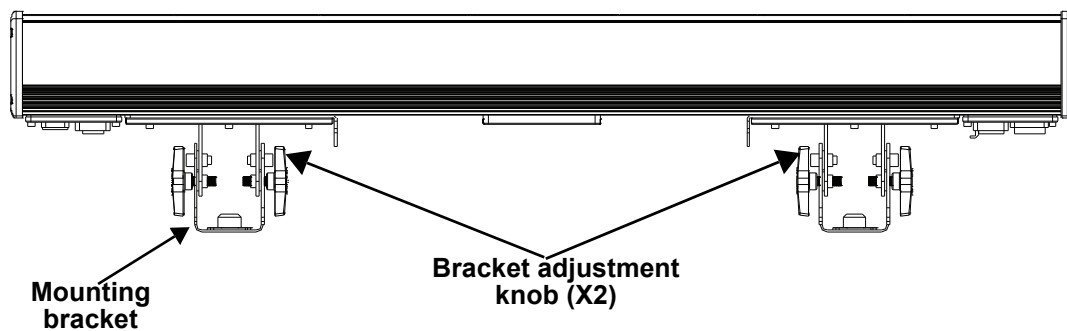
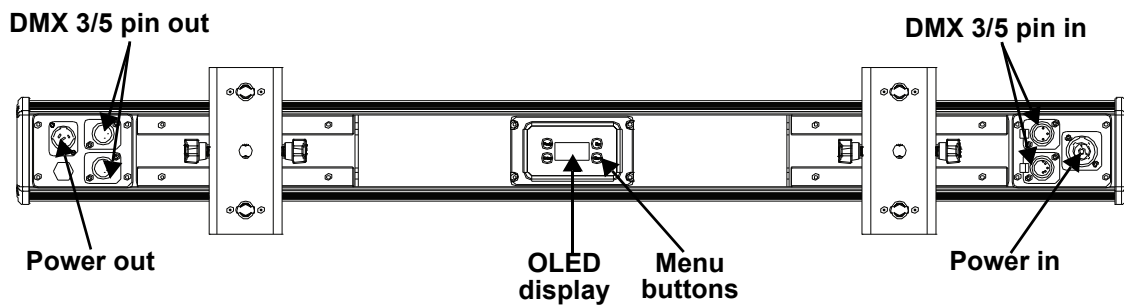
Use and heat will gradually reduce LED brightness over time. Clustered LEDs produce more heat than single LEDs, contributing to shorter lifespans if always used at full intensity. The average LED lifespan is 40,000 to 50,000 hours. To extend LED lifespan, maintain proper ventilation around the product, and limit the overall intensity.

2. Introduction

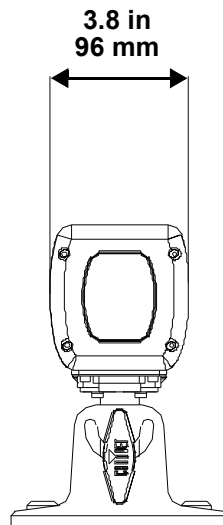
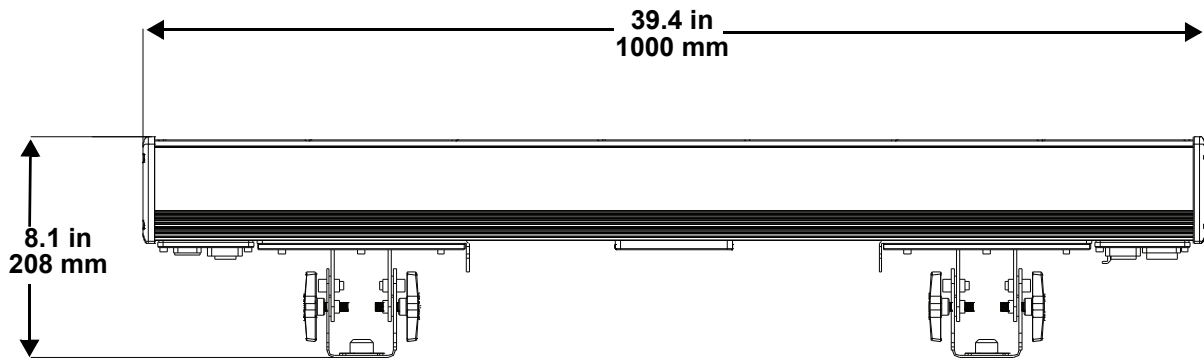
Features

- Indoor/outdoor availability
- 12 RGBAW + UV LEDs
- Easy-to-read OLED display with password protection and touchscreen
- Floor trunnions and omega bracket provide for easy mounting
- IP-rated power and DMX connections
- Adjustable PWM negates flickering on camera
- RDM adds to flexibility
- Advanced optics enable quality color mixing

Product Overview



Product Dimensions



3. Setup

AC Power

The COLORdash Batten H12X IP has an auto-ranging power supply, and it can work with an input voltage range of 100 to 240 VAC, 50/60 Hz.

To determine the product's power requirements (circuit breaker, power outlet, and wiring), use the current value listed on the label affixed to the product's back panel, or refer to the product's specifications chart.

The listed current rating indicates the product's average current draw under normal conditions.



- **Always connect the product to a protected circuit (a circuit breaker or fuse). Make sure the product has an appropriate electrical ground to avoid the risk of electrocution or fire.**
- **To eliminate unnecessary wear and improve its lifespan, during periods of non-use completely disconnect the product from power via breaker or by unplugging it.**



Never connect the product to a rheostat (variable resistor) or dimmer circuit, even if the rheostat or dimmer channel serves only as a 0 to 100% switch.

AC Plug

The COLORdash Batten H12X IP comes with a power input cord terminated with an Edison plug (U.S. market). If the power input cord that came with the product has no plug, or if the Edison plug needs to be changed, use the table below to wire the new plug.

Connection	Wire (U.S.)	Wire (Europe)	Screw Color
AC Live	Black	Brown	Yellow or Brass
AC Neutral	White	Blue	Silver
AC Ground	Green/Yellow	Green/Yellow	Green

Power Linking

It is possible to power link COLORdash Batten H12X IP products. See the table below for the current draw at each voltage and frequency:

	100 V, 60 Hz	120 V, 60 Hz	208 V, 60 Hz	230 V, 50 Hz	240 V, 60 Hz
Current Draw	1.57 A	1.28 A	0.74 A	0.67 A	0.64 A
Resting	.053 A	.049 A	.049 A	.048 A	.047 A

Never exceed 12A on a single circuit. Power-linking cables can be purchased separately.

DMX Linking

The COLORdash Batten H12X IP can be linked to a DMX controller using a 3-pin or 5-pin DMX connection. If using other DMX-compatible products with this product, each can be controlled individually with a single DMX controller.

DMX Personalities

The COLORdash Batten H12X IP uses a 3- or 5-pin DMX data connection for the **6CH, 8CH, 9CH, 13CH, 14CH, 42CH, 47CH, or 59CH** DMX personalities.

- Refer to the [Introduction](#) for a brief description of each DMX personality.
- Refer to the [Operation](#) chapter to learn how to configure the COLORdash Batten H12X IP to work in these personalities.
- The [Control Channel Assignments and Values](#) section provides detailed information regarding the DMX personalities.



For information about DMX standards, Master/Slave connectivity, or the DMX cables needed to link this product to a DMX controller, download the DMX Primer from the Chauvet website: www.chauvetprofessional.com.

Remote Device Management

Remote Device Management, or RDM, is a standard for allowing DMX-enabled devices to communicate bi-directionally along existing DMX cabling. Check the DMX controller's User Manual or with the manufacturer, as not all DMX controllers have this capability. The COLORdash Batten H12X IP supports RDM protocol that allows feedback to make changes to menu map options.

Master/Slave Connectivity

The Master/Slave mode allows a COLORdash Batten H12X IP (the master) to control one or more COLORdash Batten H12X IP products (the slaves) without a DMX controller. One COLORdash Batten H12X IP becomes the master when running an auto program or by being in Static mode. Each slave's control panel must be configured to operate in Slave mode. During Master/Slave operation, the slaves will operate in unison with the master.



DO NOT connect a DMX controller to products operating in Master/Slave mode. The DMX controller signals may interfere with the signals from the master.



The [Operation](#) section of this manual provides detailed instructions on how to configure the master and slaves.

Mounting

Before mounting the product, read and follow the safety recommendations indicated in the [Safety Notes](#). For Chauvet Professional line of mounting clamps, go to <http://trusst.com/products/>.

Orientation

Always mount this product in a safe position, making sure there is adequate room for ventilation, configuration, and maintenance.

Rigging

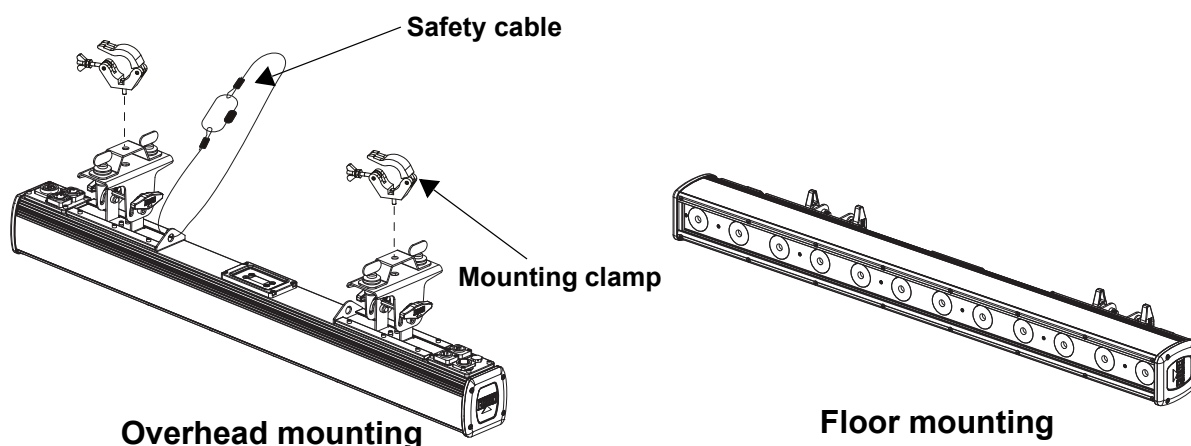
Chauvet recommends using the following general guidelines when mounting this product:

- Before deciding on a location for the product, make sure there is easy access to the product for maintenance and programming purposes.
- Make sure that the structure or surface onto which the product is being mounted can support the product's weight. See the [Technical Specifications](#).
- Always use a safety cable when mounting the product overhead. Mount the product securely to a rigging point, whether an elevated platform or a truss.
- Use a mounting clamp of appropriate weight capacity when rigging the product onto a truss.

Procedure

The COLORdash Batten H12X IP comes with mounting brackets that can be attached to a mounting clamp for hanging or simply used as a floor stand. Mounting clamps are sold separately. Make sure the clamps are capable of supporting the weight of this product. Use at least one mounting point per product. For the Chauvet Professional line of mounting clamps, go to <http://www.trusst.com/products>.

Mounting Diagram



4. Operation

Control Panel Operation

Button	Function
<MENU>	Exits from the current menu or function
<UP>	Enables the currently displayed menu or sets the currently selected value in to the current function
<DOWN>	Navigates upward through the menu list or increases the numeric value when in a function
<ENTER>	Navigates downward through the menu list or decreases the numeric value when in a function

Passcode

When prompted, enter the following passcode: <UP>, <DOWN>, <UP>, <DOWN>, <ENTER>. This passcode cannot be changed.

Menu Map

Refer to the COLORdash Batten H12X IP product page on www.chauvetprofessional.com for the latest menu map.

Main Level	Programming Levels	Description
DMX Address	001–507*	Selects DMX address (*highest channel restricted to personality chosen)
	6CH	6-channel: RGBAWUV
	8CH	8-channel: dimmer, RGBAWUV, strobe
	9CH	9-channel: dimmer, 16-bit dimmer, RGBAWUV, strobe
	13CH	13-channel: dimmer, RGBAWUV, strobe, color macro, color temperature, auto programs and speed, dimmer mode
	14Ch	14-channel: dimmer, 16-bit dimmer, RGBAWUV, strobe, color macro, color temperature, auto programs and speed, dimmer mode
	42CH	42-channel: dimmer, 16-bit dimmer, 12-zone RGB, AWUV, strobe
	47CH	47-channel: dimmer, 16-bit dimmer, 12-zone RGB, AWUV, strobe, color macro, color temperature, auto programs and speed, dimmer mode
	59CH	59-channel: dimmer, 16-bit dimmer, 12-zone RGB, AWUV, 12-zone strobe, color macro, color temperature, auto programs and speed, dimmer mode

Main Level	Programming Levels	Description	
Static	Fixed Color	R	Red
		G	Green
		B	Blue
		A	Amber
		W	White
		UV	Ultraviolet (UV)
		RG	Red/Green
		RB	Red/Blue
		RA	Red/Amber
		RW	Red/White
		RUV	Red/UV
		GB	Green/Blue
		GA	Green/Amber
		GW	Green/White
		GUV	Green/UV
		BA	Blue/Amber
		BW	Blue/White
		BUV	Blue/UV
		AW	Amber/White
		AUV	Amber/UV
		WUV	White/UV
		RGB	Red/Green/Blue
		RGA	Red/Green/Amber
		RGW	Red/Green/White
		RGUV	Red/Green/UV
		RBA	Red/Blue/Amber
		RBW	Red/Blue/White
		RBUV	Red/Blue/UV
		RAW	Red/Amber/White
		RAUV	Red/Amber/UV
		RWUV	Red/White/UV
		GBA	Green/Blue/Amber
		GBW	Green/Blue/White
		GBUV	Green/Blue/UV
		GAW	Green/Amber/White
		GAUV	Green/Amber/UV
		GWUV	Green/White/UV
		BAW	Blue/Amber/White
		BAUV	Blue/Amber/UV
		BWUV	Blue/White/UV
AWUV	Amber/White/UV		
RGBA	Red/Green/Blue/Amber		
RGBW	Red/Green/Blue/White		
RGBUV	Red/Green/Blue/UV		
RGAW	Red/Green/Amber/White		
RGAUV	Red/Green/Amber/UV		

Main Level	Programming Levels		Description	
Static	Fixed color	RGWUV	Red/Green/White/UV	
		RBAW	Red/Blue/Amber/White	
		RBAUV	Red/Blue/Amber/UV	
		RBWUV	Red/Blue/White/UV	
		RAWUV	Red/Amber/White/UV	
		GBAW	Green/Blue/Amber/White	
		GBAUV	Green/Blue/Amber/UV	
		GBWUV	Green/Blue/White/UV	
		GAWUV	Green/Amber/White/UV	
		BAWUV	Blue/Amber/White/UV	
		RGBAW	Red/Green/Blue/Amber/White	
		RGBAUV	Red/Green/Blue/Amber/UV	
		RGBWUV	Red/Green/Blue/White/UV	
		RGAWUV	Red/Green/Amber/White/UV	
		RBAWUV	Red/Blue/Amber/White/UV	
		GBAWUV	Green/Blue/Amber/White/UV	
		RGBAWUV	Red/Green/Blue/Amber/White/UV	
	Color Temperature	Warm White 1	0-255	Preset white color temperatures
		Warm White 2		
		Warm White 3		
		Neutral White 1		
		Neutral White 2		
		Neutral White 3		
		Daylight 1		
		Daylight 2		
	Daylight 3			
	Daylight 4			
	Manual Color	Red		
		Green		
		Blue		
		Amber		
		White		
		UV		
Auto Show	Auto 1-5	0-100	Preset automatic programs and speed	
Master/Slave	Master		DMX mode (master)	
	Slave		Slave mode	
Dimmer Speed	OFF		Linear dimmer	
	Dimmer 1-3		Dimming speed: Dimmer 1 (fast) to Dimmer 3 (slow)	
White Balance	Manual	Off	Uses factory default white setting	
		Red	125-255	Sets maximum red value
		Green		Sets maximum green value
		Blue		Sets maximum blue value
		Amber		Sets maximum amber value
		White		Sets maximum white value
		UV		Sets maximum UV value
LED Frequency	600Hz		Sets the Pulse Width Modulation (PWM) frequency	
	1200Hz			
	2000Hz			
	4000Hz			
	6000Hz			
	25KHz			

Main Level	Programming Levels		Description
Back Light	10S		Turns off display backlight after 10 seconds of inactivity
	30S		Turns off display backlight after 30 seconds of inactivity
	2Min		Turns off display backlight after 2 minutes of inactivity
	Always On		Display backlight remains on
Key Lock	On		Locks the display. Password: <UP>, <DOWN>, <UP>, <DOWN>, <ENTER>
	Off		
Information	Fixture Hours	____ Hours	Displays total hours the product has been powered on
	Version	V.____	Displays firmware version
	UID	-----	Displays product UID
Reset Factory	NO		Resets to factory default settings
	YES		
System Update	Put the update file into the USB stick and connect it to the device through an adapter cable.		Update firmware via USB to DMX adapter cable
	NO		
	YES		

Operation

DMX Configuration

Use DMX configurations to operate the product with a DMX controller.

Control Personalities

To set the control personality:

1. Go to the **DMX Channel** main level.
2. Select the desired personality (**6Ch, 8Ch, 9Ch, 13Ch, 14Ch, 42Ch, 47Ch, or 59Ch**).
 - See the [Starting Address](#) section for the highest starting address recommended for each personality.
 - **Make sure that the starting addresses on the various products do not overlap due to the new personality setting.**



Starting Address

Each product will respond to a unique starting address from the DMX controller. All products with the same starting address will respond in unison. To set the starting address:

1. Go to **DMX Address** main level.
2. Select the starting address (**000–507**).
 - The highest assignable starting address for **6CH** is **507**.
 - The highest assignable starting address for **8CH** is **505**.
 - The highest assignable starting address for **9CH** is **504**.
 - The highest assignable starting address for **13CH** is **500**.
 - The highest assignable starting address for **14CH** is **499**.
 - The highest assignable starting address for **42CH** is **471**.
 - The highest assignable starting address for **47CH** is **466**.
 - The highest assignable starting address for **59CH** is **454**.

Control Channel Assignments and Values

DMX Mode 59CH / 47CH / 42CH

42CH	47CH	59CH	Function	Value	Percent/Setting
1	1	1	Dimmer	000 ⇄ 255	0–100%
2	2	2	Dimmer fine	000 ⇄ 255	0–100%
3	3	3	Red 1	000 ⇄ 255	0–100%
4	4	4	Green 1	000 ⇄ 255	0–100%
5	5	5	Blue 1	000 ⇄ 255	0–100%
–	–	6	Strobe 1	000 ⇄ 010 011 ⇄ 255	Open Strobe, slow to fast
6	6	7	Red 2	000 ⇄ 255	0–100%
7	7	8	Green 2	000 ⇄ 255	0–100%
8	8	9	Blue 2	000 ⇄ 255	0–100%
–	–	10	Strobe 2	000 ⇄ 010 011 ⇄ 255	Open Strobe, slow to fast
9	9	11	Red 3	000 ⇄ 255	0–100%
10	10	12	Green 3	000 ⇄ 255	0–100%
11	11	13	Blue 3	000 ⇄ 255	0–100%
–	–	14	Strobe 3	000 ⇄ 010 011 ⇄ 255	Open Strobe, slow to fast
12	12	15	Red 4	000 ⇄ 255	0–100%
13	13	16	Green 4	000 ⇄ 255	0–100%
14	14	17	Blue 4	000 ⇄ 255	0–100%
–	–	18	Strobe 4	000 ⇄ 010 011 ⇄ 255	Open Strobe, slow to fast
15	15	19	Red 5	000 ⇄ 255	0–100%
16	16	20	Green 5	000 ⇄ 255	0–100%
17	17	21	Blue 5	000 ⇄ 255	0–100%
–	–	22	Strobe 5	000 ⇄ 010 011 ⇄ 255	Open Strobe, slow to fast
18	18	23	Red 6	000 ⇄ 255	0–100%
19	19	24	Green 6	000 ⇄ 255	0–100%
20	20	25	Blue 6	000 ⇄ 255	0–100%
–	–	26	Strobe 6	000 ⇄ 010 011 ⇄ 255	Open Strobe, slow to fast
21	21	27	Red 7	000 ⇄ 255	0–100%
22	22	28	Green 7	000 ⇄ 255	0–100%
23	23	29	Blue 7	000 ⇄ 255	0–100%
–	–	30	Strobe 7	000 ⇄ 010 011 ⇄ 255	Open Strobe, slow to fast
24	24	31	Red 8	000 ⇄ 255	0–100%
25	25	32	Green 8	000 ⇄ 255	0–100%
26	26	33	Blue 8	000 ⇄ 255	0–100%
–	–	34	Strobe 8	000 ⇄ 010 011 ⇄ 255	Open Strobe, slow to fast
27	27	35	Red 9	000 ⇄ 255	0–100%
28	28	36	Green 9	000 ⇄ 255	0–100%
29	29	37	Blue 9	000 ⇄ 255	0–100%
–	–	38	Strobe 9	000 ⇄ 010 011 ⇄ 255	Open Strobe, slow to fast
30	30	39	Red 10	000 ⇄ 255	0–100%
31	31	40	Green 10	000 ⇄ 255	0–100%
32	32	41	Blue 10	000 ⇄ 255	0–100%

Operation

42CH	47CH	59CH	Function	Value	Percent/Setting
-	-	42	Strobe 10	000 ⇄ 010 011 ⇄ 255	Open Strobe, slow to fast
33	33	43	Red 11	000 ⇄ 255	0–100%
34	34	44	Green 11	000 ⇄ 255	0–100%
35	35	45	Blue 11	000 ⇄ 255	0–100%
-	-	46	Strobe 11	000 ⇄ 010 011 ⇄ 255	Open Strobe, slow to fast
36	36	47	Red 12	000 ⇄ 255	0–100%
37	37	48	Green 12	000 ⇄ 255	0–100%
38	38	49	Blue 12	000 ⇄ 255	0–100%
-	-	50	Strobe 12	000 ⇄ 010 011 ⇄ 255	Open Strobe, slow to fast
39	39	51	Amber	000 ⇄ 255	0–100%
40	40	52	White	000 ⇄ 255	0–100%
41	41	53	UV	000 ⇄ 255	0–100%
42	42	54	Strobe	000 ⇄ 010 011 ⇄ 255	Open Strobe, slow to fast
-	43	55	Color macro	000 ⇄ 010 011 ⇄ 255	No function See Color Macro Chart
-	44	56	Color temperature	000 ⇄ 005 006 ⇄ 025 026 ⇄ 050 051 ⇄ 075 076 ⇄ 100 101 ⇄ 125 126 ⇄ 150 151 ⇄ 175 176 ⇄ 200 201 ⇄ 225 226 ⇄ 250 251 ⇄ 255	No function Warm white 1 Warm white 2 Warm white 3 Neutral white 1 Neutral white 2 Neutral white 3 Daylight 1 Daylight 2 Daylight 3 Daylight 4 No function
-	45	57	Auto programs	000 ⇄ 010 011 ⇄ 060 061 ⇄ 110 111 ⇄ 160 161 ⇄ 210 211 ⇄ 255	No function Auto program 1 Auto program 2 Auto program 3 Auto program 4 Auto program 5 (Auto program 1–4)
-	46	58	Auto speed	000 ⇄ 255	Auto speed (slow to fast)
-	47	59	Dimmer speed	000 ⇄ 051 052 ⇄ 101 102 ⇄ 152 153 ⇄ 203 204 ⇄ 255	Preset dimmer Off Dimmer speed 1 (Fast) Dimmer speed 1 (Moderate) Dimmer speed 1 (Slow)

DMX Mode 14CH /13CH / 9CH / 8CH / 6CH

6CH	8CH	9CH	13CH	14CH	Function	Value	Percent/Setting
-	1	1	1	1	Dimmer	000 ⇄ 255	0–100%
-	-	2	-	2	Dimmer fine	000 ⇄ 255	0–100%
1	2	3	2	3	Red	000 ⇄ 255	0–100%
2	3	4	3	4	Green	000 ⇄ 255	0–100%
3	4	5	4	5	Blue	000 ⇄ 255	0–100%
4	5	6	5	6	Amber	000 ⇄ 255	0–100%
5	6	7	6	7	White	000 ⇄ 255	0–100%
6	7	8	7	8	UV	000 ⇄ 255	0–100%
-	8	9	8	9	Strobe	000 ⇄ 010 011 ⇄ 255	Open Strobe, slow to fast
-	-	-	9	10	Color macro	000 ⇄ 010 011 ⇄ 255	No function See Color Macro Chart
-	-	-	10	11	Color temperature	000 ⇄ 005 006 ⇄ 025 026 ⇄ 050 051 ⇄ 075 076 ⇄ 100 101 ⇄ 125 126 ⇄ 150 151 ⇄ 175 176 ⇄ 200 201 ⇄ 225 226 ⇄ 250 251 ⇄ 255	No function Warm white 1 Warm white 2 Warm white 3 Neutral white 1 Neutral white 2 Neutral white 3 Daylight 1 Daylight 2 Daylight 3 Daylight 4 No function
-	-	-	11	12	Auto programs	000 ⇄ 010 011 ⇄ 060 061 ⇄ 110 111 ⇄ 160 161 ⇄ 210 211 ⇄ 255	No function Auto program 1 Auto program 2 Auto program 3 Auto program 4 Auto program 5 (Auto program 1–4)
-	-	-	12	13	Auto speed	000 ⇄ 255	Auto speed (slow to fast)
-	-	-	13	14	Dimmer speed	000 ⇄ 051 052 ⇄ 101 102 ⇄ 152 153 ⇄ 203 204 ⇄ 255	Preset dimmer Off Dimmer speed 1 (Fast) Dimmer speed 1 (Moderate) Dimmer speed 1 (Slow)

Color Macro Chart

DMX Channel Value	Red Value	Green Value	Blue Value	Amber Value	White Value
000 ⇄ 010	No function	No function	No function	No function	No function
011 ⇄ 051	100–0%	0–100%	0%	0%	0%
052 ⇄ 091	0%	100–0%	0–100%	0%	0%
092 ⇄ 131	0–100%	0%	100–0%	0%	0%
132 ⇄ 151	100–0%	0%	0%	0%	0–100%
152 ⇄ 170	0%	0%	0–100%	0%	100–0%
171 ⇄ 200	100%	100%	100%	100%	100%
201 ⇄ 255	0–100%	0–100%	0–100%	100–0%	0–100%

Operation

Standalone Configuration

Fixed Color

To select a preset fixed color combination:

1. Go to the **Static** main level.
2. Select the desired combination (**R, G, B, A, W, UV, RG, RB, RA, RW, RUV, GB, GA, GW, GUV, BA, BW, BUV, AW, AUV, WUV, RGB, RGA, RGW, RGV, RBA, RBW, RBUV, RAW, RAUV, RWUV, GBA, GBW, GBUV, GAW, GAUV, GWUV, BAW, BAUV, BWUV, AWUV, RGBA, RGBW, RGBUV, RGAW, RGAUV, RGWUV, RBAW, RBAUV, RBWUV, RAWUV, GBAW, GBAUV, GBWUV, GAWUV, BAWUV, RGBAW, RGBAU, RGBWUV, RGAWUV, RBAWUV, GBAWUV, or RGBAWUV**).

Color Temperature

To select a preset color temperature:

1. Go to the **Static** main level.
2. Select the desired **color temperature** option.
3. Select the color temperature, from **Warm White 1, Warm White 2, Warm White 3, Neutral White 1, Neutral White 2, Neutral White 3, Daylight 1, Daylight 2, Daylight 3, or Daylight 4**.

Manual Color Mixer

To manually mix a custom static color:

1. Go to the **Static** main level.
2. Select the **Manual Color** Option.
3. Select the desired color from **Red, Green, Blue, Amber, White, or Ultraviolet**.
4. Set the desired value for the selected color (**0–255**).

Auto Show

To select an automatic program:

1. Go to the **Auto Show** main level.
2. Select the program, from **Auto 1–5**.
3. Set the program speed, from **001–100**.

Settings Configuration

Master/Slave

The Master/Slave mode allows a group of COLORdash Batten H12X IP products (the slaves) to simultaneously duplicate the output of another COLORdash Batten H12X IP (the master) without a DMX controller.

To set each of the slaves:

1. Go to the **Master/Slave** main level.
2. Select **Slave**.

To set the master:

1. Go to the **Master/Slave** main level.
2. Select **Master**.
3. Select a static setting.



- **The master is the one that runs a program whether in Auto or Static mode.**
- **Do not connect a DMX controller to the products configured for Master/Slave operation. The DMX controller may interfere with signals from the master.**
- **The master should be the first product in the daisy chain.**

Dimmer Speed

This setting determines how fast the output of the COLORdash Batten H12X IP changes when the user modifies the output value. This setting provides three different options to simulate the dimming curve of an incandescent lighting product.

1. Go to the **Dimmer Speed** main level.
2. Select a dimmer curve (**OFF, Dimmer 1, Dimmer 2, or Dimmer 3**).



- **OFF:** The output is proportional (linear) to the dimmer channel value.
- **Dimmer 1–3:** The output follows the dimmer value based on the corresponding dimmer curve, **Dimmer 1** being the fastest.

White Balance

This setting determines the maximum output values for each color, which affects the appearance of the total color output.

1. Go to the **White Balance** main level.
2. Select from **Off** (uses factory default white setting) or **Manual** (uses a custom white balance).
3. Select the color value to alter, from **Red, Green, Blue, Amber, White, or UV**.
4. Set the maximum value of the selected color, from **125–255**.

LED Frequency

This option changes the Pulse Width Modulation (PWM) frequency of the LEDs on the COLORdash Batten H12X IP.

1. Go to the **LED Frequency** main level.
2. Select PWM Frequency (**600Hz, 1200Hz, 2000Hz, 4000Hz, 6000Hz, or 25KHz**).

Back Light

To set how long before an inactive display will turn off:

1. Go to the **Back Light** main level.
2. Select the length of the back light timer, from **10S** (10 seconds), **30S** (30 seconds), **2Min** (2 minutes), or **Always On**.

Key Lock

To lock the display with a passcode:

1. Go to the **Key Lock** main level.
2. Select **On** (lock the display) or **Off** (unlock the display).

Information

To view essential product information:

1. Go to the **Information** main level.
2. Select **Fixture Hours, Version, or UID**.

Factory Reset

To reset the product to factory settings:

1. Go to the **Reset Factory** main level.
2. Select **NO** (to cancel) or **YES** (to reset the product configuration).

System Update

To update the firmware with a USB to DMX adapter cable:

1. Go to the **System Update** main level.
2. Follow the instructions (**Put the update file into the USB stick and connect it to the device through an adapter cable**).
3. Select **NO** (to cancel) or **YES** (to update the firmware).

5. Maintenance

Product Maintenance

Dust build-up reduces light output performance and can cause overheating. This can lead to reduction of the light source's life and/or mechanical wear. To maintain optimum performance and minimize wear, clean lighting products at least twice a month. However, be aware that usage and environmental conditions could be contributing factors to increase the cleaning frequency.

To clean the product, follow the instructions below:

1. Unplug the product from power.
2. Wait until the product is at room temperature.
3. Use a vacuum (or dry compressed air) and a soft brush to remove dust collected on the external surface/vents.
4. Clean all transparent surfaces with a mild soap solution, ammonia-free glass cleaner, or isopropyl alcohol.
5. Apply the solution directly to a soft, lint-free cotton cloth or a lens-cleaning tissue.
6. Softly drag any dirt or grime to the outside of the transparent surface.
7. Gently polish the transparent surfaces until they are free of haze and lint.



Always dry the transparent surfaces carefully after cleaning them.

6. Technical Specifications

Dimensions and Weight

Length	Width	Height	Weight
39.4 in (1000 mm)	8.1 in (208 mm)	3.8 in (96 mm)	17.4 lb (8 kg)

Note: Dimensions in inches are rounded.

Power

Power Supply Type	Range	Voltage Selection
Switching (internal)	100 to 240 VAC, 50/60 Hz	Auto-ranging

Parameter	100 V, 60 Hz	120 V, 60 Hz	208 V, 60 Hz	230 V, 50 Hz	240 V, 50 Hz
Consumption	160 W	154 W	151 W	151 W	151 W
Operating current	1.575 A	1.284 A	0.741 A	0.667 A	0.641 A
Resting current	.053 A	.049 A	.049 A	.048 A	.047 A

Power I/O	U.S./Worldwide	UK/Europe
Power input connector	Hardwired	Hardwired
Power output connector	Hardwired	Hardwired
Power cord plug	Edison (U.S.)	Local Plug

Light Source

Type	Color	Quantity	Power	Current	Lifespan
LED	RGBAW + UV	12	10 W	532 mA	50,000 hours

Photometrics

Color temperature	Beam Angle	Field Angle	Lumens	Illuminance @ 5 m
11567 K	24.9°	40.7°	4,796 lm	881 lux

Thermal

Maximum External Temperature	Cooling System
113 °F (45 °C)	Convection

Control

I/O Connector	Channel Range
3-pin/ 5-pin XLR DMX input and output cable whips	6, 8, 9, 13, 14, 42, 47, or 59 channels

Ordering

Product Name	Item Name	Item Code	UPC Number
COLORdash Batten H12X IP	COLORDASHBATTENH12XIP	10031868	781462222161



RoHS



Contact Us

General Information	Technical Support
Chauvet World Headquarters	
Address: 3360 Davie Rd. Davie, FL 33314 Voice: (954) 577-4455 Fax: (954) 929-5560 Toll Free: (800) 762-1084	Voice: (844) 393-7575 Fax: (954) 756-8015 Email: chauvetcs@chauvetlighting.com Website: www.chauvetprofessional.com
Chauvet U.K.	
Address: Pod 1 EVO Park Little Oak Drive, Sherwood Park Nottinghamshire, NG15 0EB UK Voice: +44 (0) 1773 511115 Fax: +44 (0) 1773 511110	Email: UKtech@chauvetlighting.eu Website: www.chauvetprofessional.eu
Chauvet Benelux	
Address: Vaartlaan 9 9800 Deinze Belgium Voice: +32 9 388 93 97	Email: BNLtech@chauvetlighting.eu Website: www.chauvetprofessional.eu
Chauvet France	
Address: 3, Rue Ampère 91380 Chilly-Mazarin France Voice: +33 1 78 85 33 59	Email: FRtech@chauvetlighting.fr Website: www.chauvetprofessional.eu
Chauvet Germany	
Address: Bruno-Bürgel-Str. 11 28759 Bremen Germany Voice: +49 421 62 60 20	Email: DEtech@chauvetlighting.de Website: www.chauvetprofessional.eu
Chauvet Mexico	
Address: Av. de las Partidas 34 - 3B (Entrance by Calle 2) Zona Industrial Lerma Lerma, Edo. de México, CP 52000 Voice: +52 (728) 690-2010	Email: servicio@chauvet.com.mx Website: www.chauvetprofessional.mx

Warranty & Returns

For warranty terms and conditions and return information, please visit our website.

For customers in the United States and Mexico: www.chauvetlighting.com/warranty-registration.

For customers in the United Kingdom, Republic of Ireland, Belgium, the Netherlands, Luxembourg, France, and Germany: www.chauvetlighting.eu/warranty-registration.