

ROGUE



User Manual



Model ID: ROGUEOUTCAST2HYBRID



Edition Notes

The Rogue Outcast 2 Hybrid User Manual includes a description, safety precautions, installation, programming, operation, and maintenance instructions for the Rogue Outcast 2 Hybrid as of the release date of this edition.

Trademarks

Chauvet, Chauvet Professional, the Chauvet logo, Rogue, Outcast, and Rogue Outcast are registered trademarks or trademarks of Chauvet & Sons, LLC (d/b/a Chauvet and Chauvet Lighting) in the United States and other countries. Other company and product names and logos referred to herein may be trademarks of their respective companies.

Copyright Notice

The works of authorship contained in this manual, including, but not limited to, all designs, text, and images are owned by Chauvet.

© Copyright 2024 Chauvet & Sons, LLC. All rights reserved.

Electronically published by Chauvet in the United States of America.

Manual Use

Chauvet authorizes its customers to download and print this manual for professional information purposes only. Chauvet expressly prohibits the usage, copy, storage, distribution, modification, or printing of this manual or its content for any other purpose without written consent from Chauvet.

Document Printing

For best results, print this document in color, on letter size paper (8.5 x 11 in), double-sided. If using A4 paper (210 x 297 mm), configure the printer to scale the content accordingly.

Intended Audience

Any person installing, operating, and/or maintaining this product should completely read through the guide that shipped with the product, as well as this manual, before installing, operating, or maintaining this product.

Disclaimer

Chauvet believes that the information contained in this manual is accurate in all respects. However, Chauvet assumes no responsibility and specifically disclaims any and all liability to any party for any loss, damage, or disruption caused by any errors or omissions in this document, whether such errors or omissions result from negligence, accident, or any other cause. Chauvet reserves the right to revise the content of this document without any obligation to notify any person or company of such revision, however, Chauvet has no obligation to make, and does not commit to make, any such revisions.

Document Revision

Go to www.chauvetprofessional.com for the latest version.

Revision	Date	Description
4	12/2024	Updated torque and vacuum measurements, added error codes, gobo maintenance, and transporting on truss or racks.

TABLE OF CONTENTS

- 1. Before You Begin** 1
 - What Is Included 1
 - Claims 1
 - Text Conventions 1
 - Symbols 1
 - Safety Notes..... 2
 - FCC Statement of Compliance 3
- 2. Introduction** 4
 - Description 4
 - Features 4
 - Product Overview 4
 - Product Dimensions 5
- 3. Setup** 6
 - AC Power 6
 - AC Plug 6
 - Fuse Replacement 6
 - DMX Linking 6
 - Remote Device Management..... 6
 - USB Software Update 7
 - Mounting 8
 - Orientation..... 8
 - Rigging 8
 - Procedure..... 8
 - Lamp Replacement 9
 - Procedure..... 9
 - Increasing Lamp Lifespan 10
 - Gobo Replacement 11
 - Procedure..... 11
 - Diagram 11
- 4. Operation** 12
 - Control Panel Description 12
 - Menu Map 12
 - DMX Configuration..... 14
 - Control Personalities 14
 - Starting Address..... 14
 - Control Channel Assignments and Values..... 15
 - Gobo Wheels 18
 - Settings Configuration..... 19
 - Pan Reverse 19
 - Tilt Reverse 19
 - Screen Reverse 19
 - Pan Angle..... 19
 - Tilt Angle 19
 - Black Out on Movement..... 19

Lamp Settings	19
Lamp On/Off	19
Lamp State at Power On.....	19
Off Via DMX.....	20
On If DMX On	20
Off If DMX Off	20
Ignition Delay	20
Low Power Delay.....	20
Reset Lamp On Time.....	20
Maintenance Timer Interval.....	20
Reset Maintenance Timer	20
Display Backlight Timer.....	20
USB Update	21
Reset Function	21
Factory Reset.....	21
Test Mode	21
Auto Test.....	21
Manual Test	21
System Information	21
Offset Mode (Zero Adjust).....	21
Error Codes.....	22
5. Maintenance.....	24
Product Maintenance	24
Torque Measurements	24
Vacuum Test Measurements	24
Gobo Maintenance.....	25
Transporting on Truss or Racks.....	25
6. Technical Specifications	26
Contact Us	27
Warranty & Returns.....	27

Before You Begin

1. Before You Begin

What Is Included

- Rogue Outcast 2 Hybrid
- 2 Omega brackets with mounting hardware
- Seetronic Powerkon IP65 power cable
- Quick Reference Guide

Claims

Carefully unpack the product immediately and check the container to make sure all the parts are in the package and are in good condition.




If the box or the contents (the product and included accessories) appear damaged from shipping, or show signs of mishandling, notify the carrier immediately, not Chauvet. Failure to report damage to the carrier immediately may invalidate a claim. In addition, keep the box and contents for inspection.

For other issues, such as missing components or parts, damage not related to shipping, or concealed damage, file a claim with Chauvet within 7 days of delivery.

Text Conventions

Convention	Meaning
1–512	A range of values
50/60	A set of values of which only one can be chosen
Settings	A menu option not to be modified
<ENTER>	A key to be pressed on the product's control panel

Symbols

Symbol	Meaning
	Critical installation, configuration, or operation information. Not following these instructions may make the product not work, cause damage to the product, or cause harm to the operator.
	Important installation or configuration information. The product may not function correctly if this information is not used.
	Useful information.



Any reference to data or power connections in this manual assumes the use of Seetronic IP rated cables.



The term “DMX” used throughout this manual refers to the USITT DMX512-A digital data transmission protocol.

Safety Notes

Read all the following safety notes before working with this product. These notes contain important information about the installation, usage, and maintenance of this product.



This product contains no user-serviceable parts. Any reference to servicing in this User Manual will only apply to properly trained, certified technicians. Do not open the housing or attempt any repairs.



All applicable local codes and regulations apply to proper installation of this product.

- The luminaire is intended for professional use only.
- If the external flexible cable or cord of this luminaire is damaged, it shall be replaced by a special cord or cord exclusively available from the manufacturer or its service agent.
- The light source contained in this luminaire shall only be replaced by the manufacturer or its service agent or a similar qualified person.
- **CAUTION:**
 - This product's housing may be hot when operating. Mount this product in a location with adequate ventilation, at least 20 in (50 cm) from adjacent surfaces.
 - When transferring the product from extreme temperature environments, (e.g., cold truck to warm humid ballroom) condensation may form on the internal electronics of the product. To avoid causing a failure, allow the product to fully acclimate to the surrounding environment before connecting it to power.
 - Flashing light is known to trigger epileptic seizures. User must comply with local laws regarding notification of strobe use.
- **ALWAYS:**
 - Disconnect from power before cleaning the product or replacing the fuse.
 - When using an IP65-rated product in an outdoor environment, use IP65- (or higher) rated power and data cable.
 - Replace and secure IP-rated protective covers to all power, data, USB, or other ports when not in use.
 - Replace the fuse with the same type and rating.
 - Use a safety cable when mounting this product overhead.
 - Connect this product to a grounded and protected circuit.
- **DO NOT:**
 - Open this product. It contains no user-serviceable parts.
 - Look at the light source when the product is on.
 - Leave any flammable material within 20 cm of this product while operating or connected to power.
 - Connect this product to a dimmer or rheostat.
 - Operate this product if the housing, lenses, or cables appear damaged.
 - Submerge this product (adhere to standards for the published IP rating). Regular outdoor operation is fine.
 - Permanently install outdoors in locations with extreme environmental conditions. This includes, but is not limited to:
 - Exposure to a marine/saline environment (within 3 miles of a saltwater body of water).
 - Locations where normal temperatures exceed the temperature ranges in this manual.
 - Locations that are prone to flooding or being buried in snow.
 - Other areas where the product will be subject to extreme radiation or caustic substances.
- **ONLY** use the handles or the hanging/mounting brackets to carry this product.
- The maximum ambient temperature is 113 °F (45 °C). Do not operate this product at higher temperatures.
- The minimum startup temperature is -4°F (-20°C). Do not start the product at lower temperatures.
- The minimum ambient temperature is 14°F (-10°C). Do not operate the product at lower temperatures.
- To eliminate unnecessary wear and improve its lifespan, during periods of non-use completely disconnect the product from power via breaker or by unplugging it.
- In the event of a serious operating problem, stop using immediately.



If a Chauvet product requires service, contact Chauvet Technical Support.

Before You Begin

FCC Statement of Compliance

This device complies with Part 15 Part B of the FCC rules. Operation is subject to the following two conditions:

1. This device may not cause harmful interference, and
2. This device must accept any interference received, including interference that may cause undesired operation.

This equipment has been tested and found to comply with the limits for a Class B digital device, pursuant to Part 15 of the FCC Rules. These limits are designed to provide reasonable protection against harmful interference in a residential installation. This equipment generates uses and can radiate radio frequency energy and, if not installed and used in accordance with the instructions, may cause harmful interference to radio communications. However, there is no guarantee that interference will not occur in a particular installation. If this equipment does cause harmful interference to radio or television reception, which can be determined by turning the equipment off and on, the user is encouraged to try to correct the interference by one or more of the following measures:

- Reorient or relocate the receiving antenna.
- Increase the separation between the equipment and receiver.
- Connect the equipment into an outlet on a circuit different from that to which the receiver is connected.
- Consult the dealer or an experienced radio/TV technician for help.
- Any changes or modifications not expressly approved by the party responsible for compliance could void the user's authority to operate the equipment.

2. Introduction

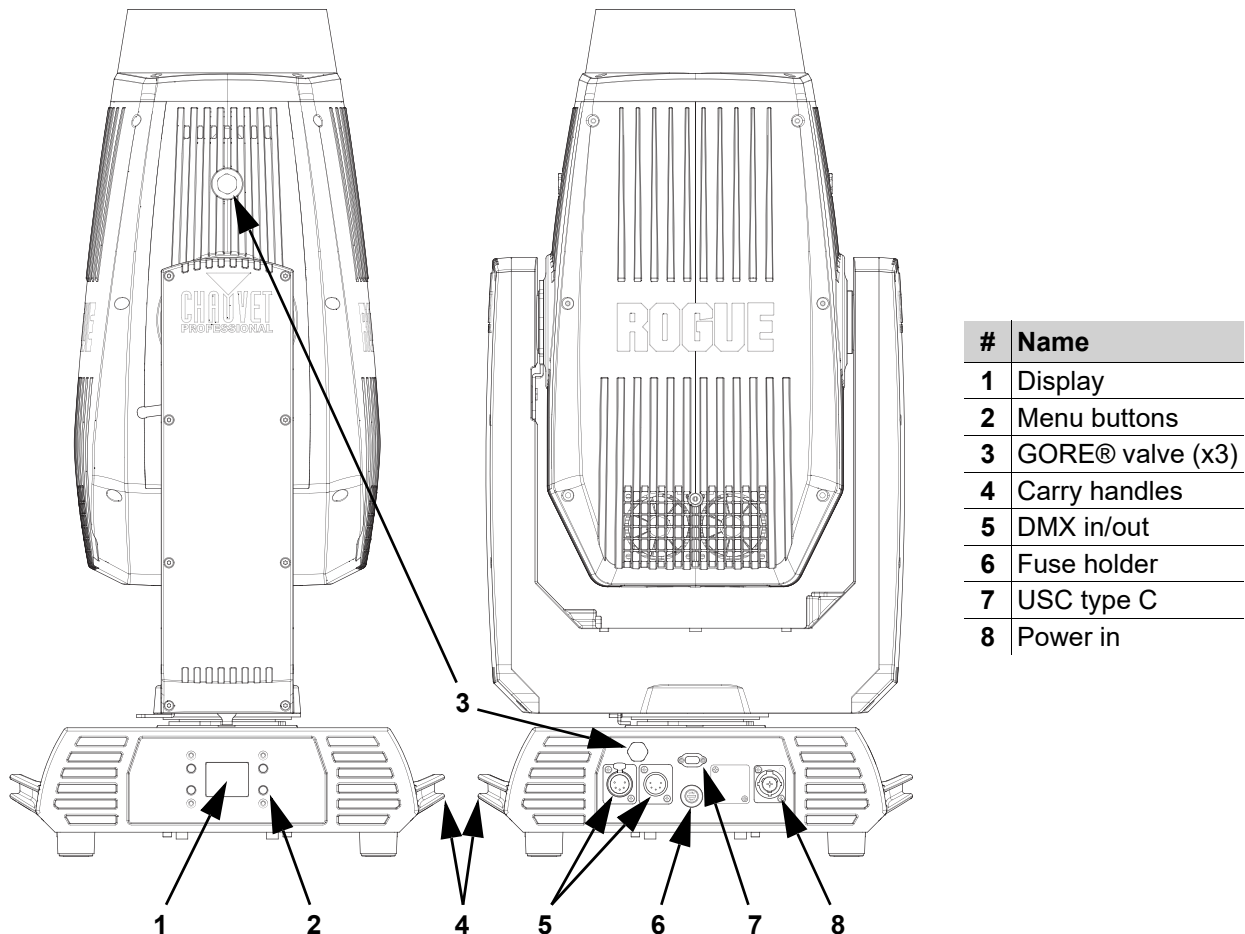
Description

The Rogue Outcast 2 Hybrid is an outdoor-ready, IP65 spot/beam/wash moving head ideal for small to medium festivals and events. Powered by an intense 400W lamp, Rogue Outcast 2 Hybrid delivers a 6500 K output with tight beam angles of 0.9° to 20.7° in Beam Mode and a zoom range of 1.4° to 37.2° in Spot Mode and 5.4° to 41.7° in Wash Mode for maximum visual impact. This feature-packed unit offers 1 rotating and 1 static gobo wheel, 2 individually controllable 6 and 8-facet layerable prisms, and a 14-hue color wheel for solid and split colors. Control is over DMX and RDM.

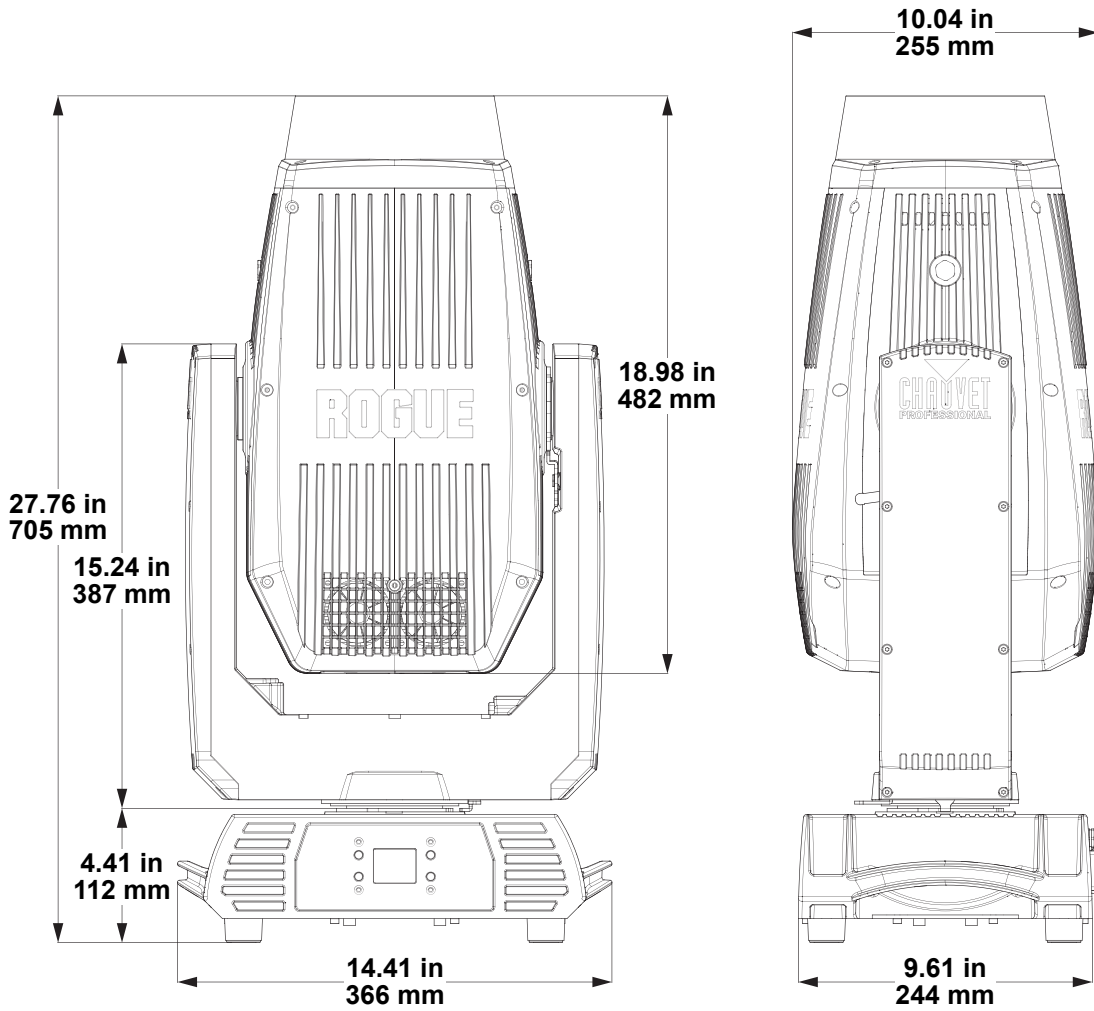
Features

- Fully featured, IP65 rated, high powered Spot/Beam/Wash combination fixture with an Ushio 400 W, 6500 K with 6,000 hour life expectancy lamp, 2 gobo wheels, 2 layerable prisms, large zoom range, and lightweight aluminum/magnesium housing
- Individually controllable and layerable 5 facet linear and 8 facet round prisms for maximizing visual impact
- Frost and beam flattening options for even light distribution
- Tight 0.9° narrow beam angle for focused air effects
- Linear zoom of 0.9° to 20.7° in beam mode, 1.4° to 37.2° in spot mode and 5.4° to 41.7° in wash mode for coverage in any application
- 9 rotating and 13 static gobos for massive visual effect
- DMX and RDM protocol control
- True 1 compatible power input
- Easy to read OLED display with simple, effective menu options
- Simple and complex DMX channel profiles for programming versatility
- USB-C port for uploading software

Product Overview



Product Dimensions



3. Setup

AC Power

The Rogue Outcast 2 Hybrid has an auto-ranging power supply and it can work with an input voltage range of 100 to 240 VAC, 50/60 Hz.

To determine the product's power requirements (circuit breaker, power outlet, and wiring), use the current value listed on the label affixed to the product's back panel, or refer to the product's specifications chart. The listed current rating indicates the product's average current draw under normal conditions.



- **Always connect the product to a protected circuit (a circuit breaker or fuse). Make sure the product has an appropriate electrical ground to avoid the risk of electrocution or fire.**
- **To eliminate unnecessary wear and improve its lifespan, during periods of non-use completely disconnect the product from power via breaker or by unplugging it.**



Never connect the product to a rheostat (variable resistor) or dimmer circuit, even if the rheostat or dimmer channel serves only as a 0 to 100% switch.

AC Plug

The Rogue Outcast 2 Hybrid comes with a power input cable terminated with a Seetronic Powerkon A connector on one end and bare wire on the other end (U.S. market). Use the table below to wire a plug.

Connection	Wire (U.S.)	Wire (Europe)	Screw Color
AC Live	Black	Brown	Yellow or Brass
AC Neutral	White	Blue	Silver
AC Ground	Green/Yellow	Green/Yellow	Green

Fuse Replacement

1. Disconnect this product from the power outlet.
2. Using a flat-head screwdriver, unscrew the fuse holder cap from the housing.
3. Remove the blown fuse and replace with another fuse of the same type and rating (F 8 A, 250 V).
4. Screw the fuse holder cap back in place and reconnect power.

DMX Linking

The Rogue Outcast 2 Hybrid will work with a DMX controller using a 5-pin DMX serial connection. A DMX Primer is available from www.chauvetprofessional.com.

Remote Device Management

Remote Device Management, or RDM, is a standard for allowing DMX-enabled devices to communicate bi-directionally along existing DMX cabling. Check the DMX controller's User Manual or with the manufacturer as not all DMX controllers have this capability. The Rogue Outcast 2 Hybrid supports RDM protocol that allows feedback to make changes to menu map options.

USB Software Update

The Rogue Outcast 2 Hybrid allows for software update through USB using the built-in USB port. To update the software using a USB type C flash drive, do the following:

1. Power on the fixture and plug the flash drive into the USB port.
2. Once the flash drive has been detected, the message **"USB UPDATE"** will be displayed. Select **YES**.
3. The next screen will show the software versions available for this fixture on the USB drive. For multiple versions of the software for the same fixture, use **<UP>** or **<DOWN>** to select the desired version. Press **<ENTER>**.
4. The **"USB UPDATE"** screen will re-appear. Select **<YES>**
5. The upgrade will start. **DO NOT** turn off the power or disconnect the USB while the USB LED is still blinking during the process. The screen display will read: **"USB UPDATE WAIT"**. USB update can take several minutes to complete.



When the USB stops blinking, all the motors will power down and the display will go blank. DO NOT turn off the power. The fixture will automatically reboot when the update is done.

6. Go to the Fixture Information on the product's menu map and confirm the firmware revision
7. When the boot-up process is finished, restart the product.



- Place the **.chl** file in the root directory of the USB drive.
- The product's USB port supports up to 32GB capacity and only works with FAT32 file format.



Turning off the power or removing the USB while still blinking during the update will cause partial or total firmware failure in the targeted fixture(s). If this occurs, the user will need the UPLOAD 08 device to fix this. Please contact Chauvet regarding this device.

Mounting

Before mounting the product, read and follow the safety recommendations indicated in the Safety Notes. For our Chauvet Professional line of mounting clamps, go to <http://trusst.com/products/>.

Orientation

Always mount this product in a safe position, making sure there is adequate room for ventilation, configuration, and maintenance.

Rigging

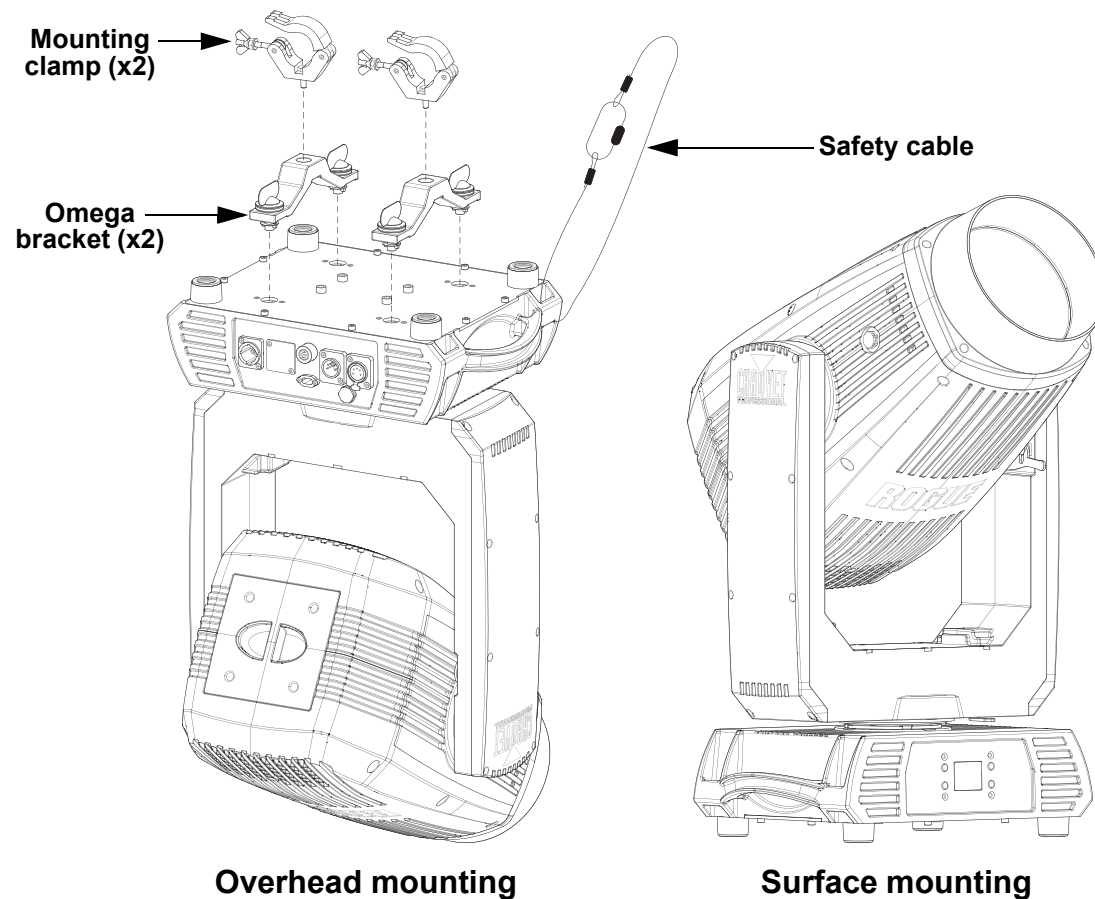
Chauvet recommends using the following general guidelines when mounting this product.

- Before deciding on a location for the product, make sure there is easy access to the product for maintenance and programming purposes.
- Make sure that the structure and attachment points can support the weight before hanging the product (see the [Technical Specifications](#) for weight information).
- When mounting the product overhead, always use a safety cable. Mount the product securely to a rigging point, whether an elevated platform or a truss.
- When rigging the product onto a truss, use a mounting clamp of appropriate weight capacity.

Procedure

The Rogue Outcast 2 Hybrid comes with 2 Omega brackets to which mounting clamps (sold separately) can be directly attached. Make sure the clamps are capable of supporting the weight of this product. Use at least two mounting points per product. For the Chauvet Professional line of mounting clamps, go to <http://www.trusst.com/products>.

Mounting Diagram



Lamp Replacement

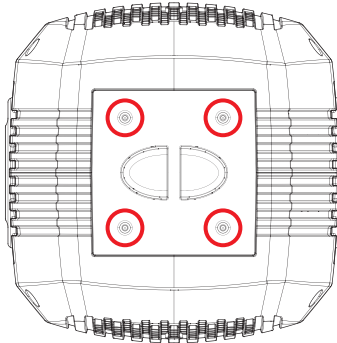
The Rogue Outcast 2 Hybrid is equipped with an USHIO NSL 400-W lamp. Follow the procedure below to safely change the lamp.



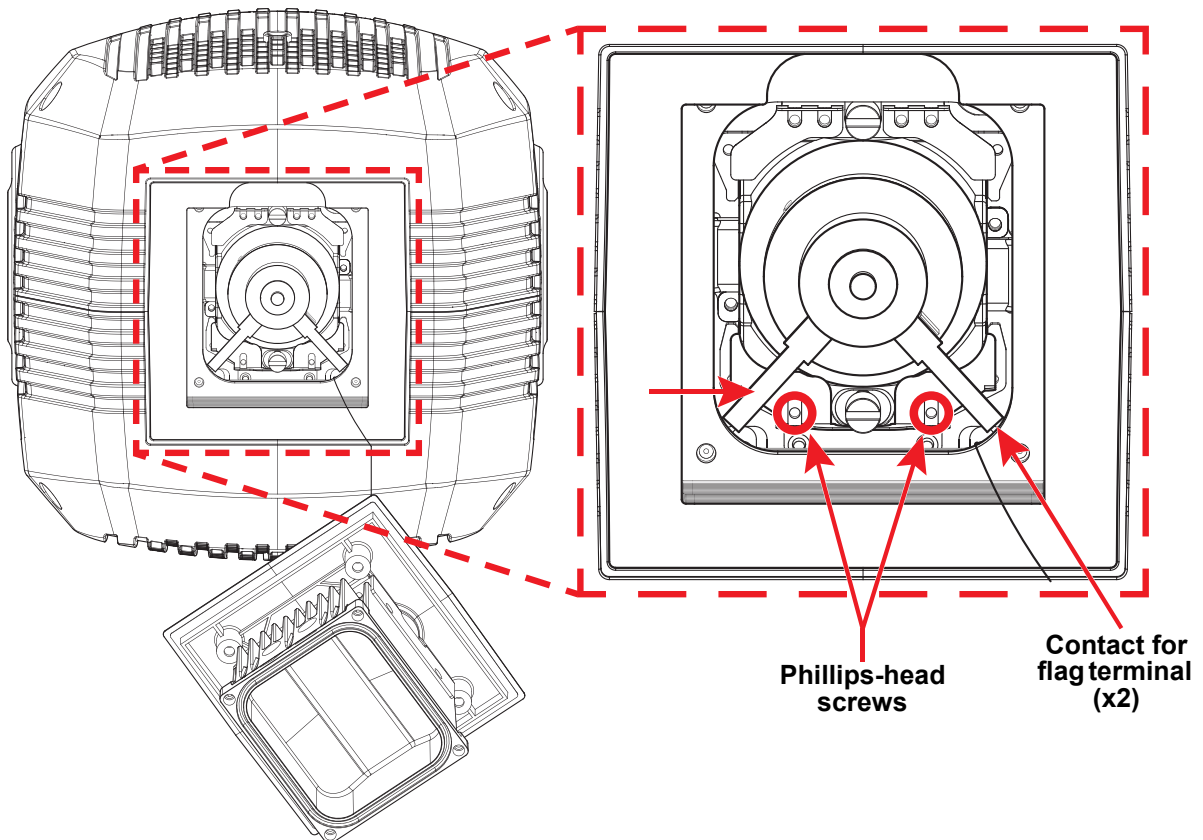
Disconnect the product from power before performing this procedure.

Procedure

1. Turn the product off and disconnect it from power. Wait at least 15 minutes for the lamp to cool down.
2. Loosen the 4 indicated screws with a 4 mm hex key until the bottom plate can be removed.

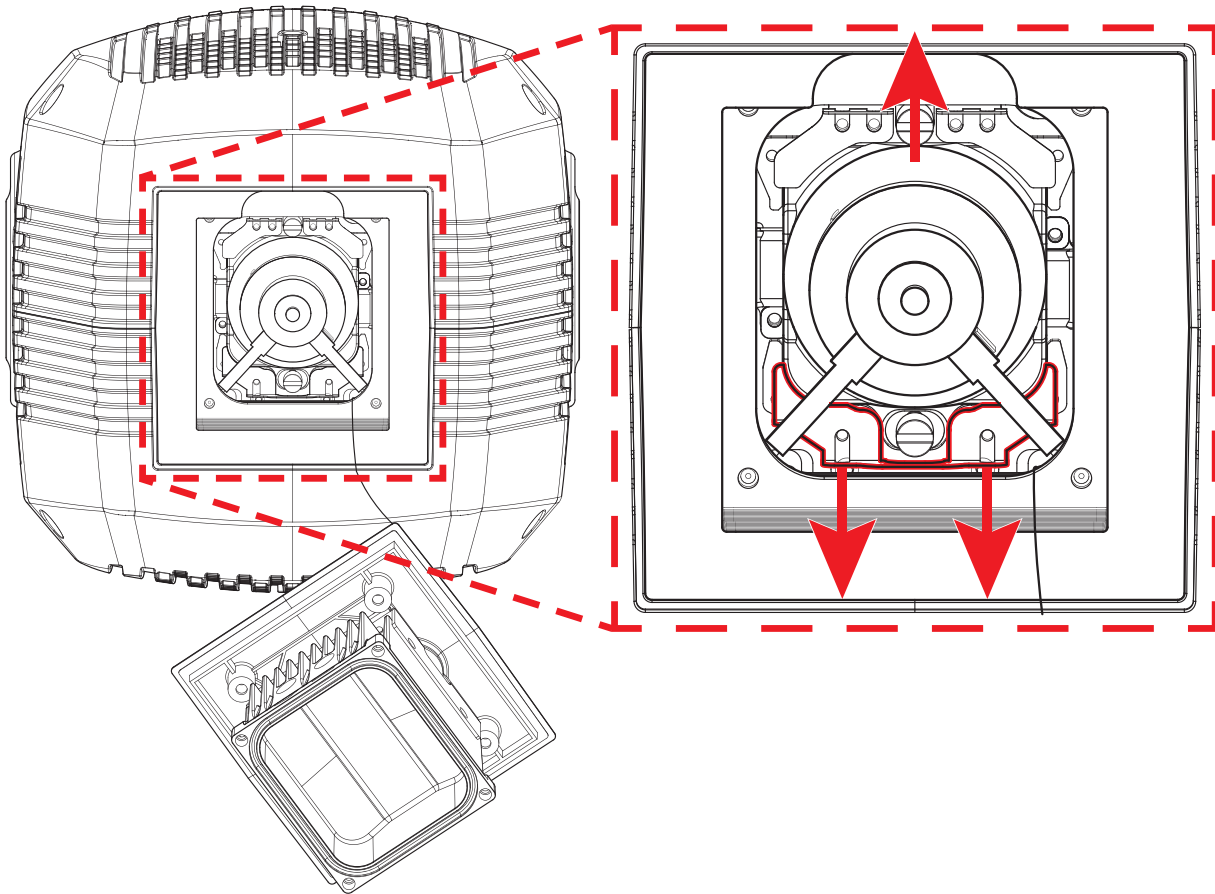


3. Carefully remove the bottom plate and heat sink and allow it to hang by the safety cord.
4. Remove the 2 wires connected to the lamp by the flag terminals.



5. Loosen the 2 indicated screws with a Phillips-head screwdriver.

- Using the lamp base, push the lamp away from the loosened plate.



- Slide the loosened plate away from the lamp.
- Roll the lamp out and pull it away.
- Reverse the steps above to install the new lamp. **DO NOT** touch the glass with bare hands!



DO NOT turn the product on without a lamp!

Increasing Lamp Lifespan

- ALWAYS turn the lamp off by using the DMX controller or the product's control panel, then wait at least 5 minutes before switching off the product. This will keep the fans running to extract any remaining heat from the product's head.
- DO NOT power cycle the product unless it is necessary.
- DO NOT re-strike the lamp immediately after turning it off. It is recommended to wait 5 minutes before trying to re-strike the lamp.
- DO NOT touch the lamp without wearing gloves to avoid leaving grease on the bulb or on the contacts that could reduce the lamp's life.
- ALWAYS change the lamp when it has reached its recommended lifespan to avoid the risk of lamp explosion.

Setup

Gobo Replacement

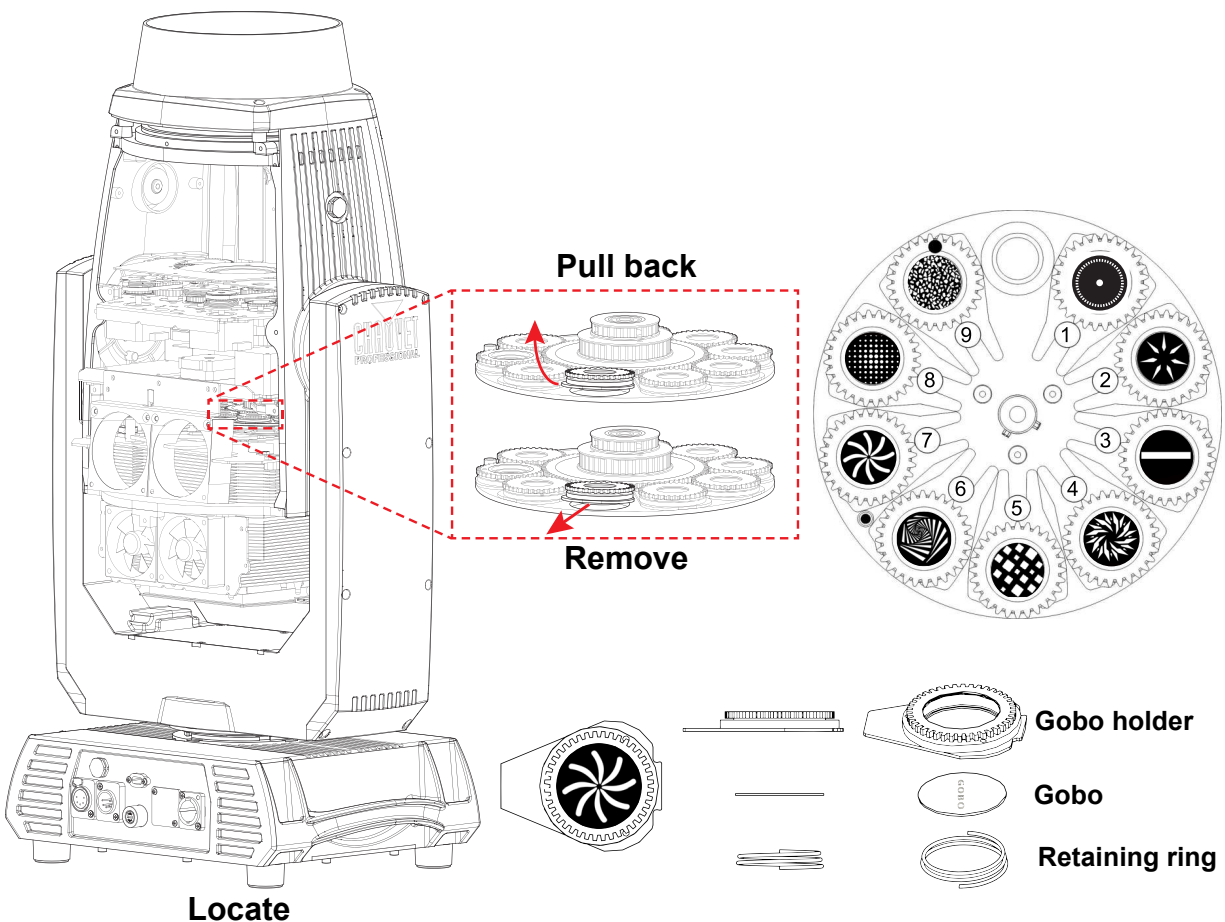
The gobos in gobo wheel 1 are removable from their gobo holders. This operation requires a technician to carefully follow the recommended procedure.

- **Make sure to disconnect the product's power cord before replacing a gobo.**
- **Always replace a gobo with a gobo of the same dimensions.**
- **When inserting a glass gobo, always make sure that the shiny side of the gobo (glass base) faces the LED. This provides a layer of protection against the high temperature from the light source.**

Procedure

1. Turn the product off and disconnect it from the power outlet.
2. Open the head cover by loosening the screws on the top cover.
3. Separate the gobo holder away from the gobo wheel by pushing it toward the front of the moving head. Be careful not to push the gobo out of the gobo holder.
4. Extract the gobo holder by pulling it outward.
5. On a flat surface, remove the expansion ring that holds the gobo in place and remove the gobo from the gobo holder.
6. Insert a new gobo and hold it in place with the expansion ring.
7. Slide the tip of the gobo holder under the pressure plate near the center of the gobo wheel.
8. Push the gobo holder inwards. **DO NOT** force the gobo holder into the gobo wheel slot. If correctly installed, the gobo holder should easily slide into the gobo wheel slot.

Diagram



4. Operation

Control Panel Description

Button	Function
<MENU>	Exits from the current menu or function
<ENTER>	Enables the currently displayed menu or sets the selected value into the selected function
<UP>	Navigates upwards through the menu list or increases the value when in a function
<DOWN>	Navigates downwards through the menu list or decreases the value when in a function

Menu Map

Refer to the Rogue Outcast 2 Hybrid product page on www.chauvetprofessional.com for the latest menu map.

Main Level	Programming Levels		Description	
Address	001–512		Sets the starting address	
Run Mode	DMX	20CH	Selects the DMX personality	
		25CH		
	Auto Test		Auto test all functions	
	Manual Test	Pan	0–255	Manually control and test all settings through the control panel
		Pan Fine		
		Tilt		
		Tilt Fine		
		P/T Speed		
		Dimmer		
		Dimmer Fine		
		Shutter		
		Color		
		Gobo2		
		Gobo		
		Gobo Rot		
		Prism1		
		Prism1 Rot		
		Prism2		
		Prism2 Rot		
		Frost1		
Beam Diffraction				
Focus				
Focus Fine				
Focus Auto				
Zoom				
Zoom Fine				
Special Function				
Setup	Pan Reverse	NO	Normal pan	
		YES	Reversed pan	
	Tilt Reverse	NO	Normal tilt	
		YES	Reversed tilt	
	Screen Reverse	NO	Normal screen display	
		YES	Inverted screen display	

Main Level	Programming Levels		Description	
Setup (cont.)	Pan Angle	540	540° pan range	
		360	360° pan range	
		180	180° pan range	
	Tilt Angle	260	260° tilt range	
		180	180° tilt range	
		090	90° tilt range	
	BL.O.P/T Move	NO	Enable/disable blackout while panning/ tilting	
		YES		
	BL.O. ColorMove	NO	Enable/disable blackout while color wheel is moving	
		YES		
	BL.O. GoboMove	NO	Enable/disable blackout while gobo wheels are moving	
		YES		
	Lamp Settings	On/Off	ON	Turns lamp on/off
			OFF	
		State/Power on	ON	Defines the status of lamp when powering up product
			OFF	
		Off Via DMX	NO	Turns off the unit via DMX controller
			YES	
		On If DMX On	NO	Turns lamp on when DMX signal is detected
			YES	
		Off If DMX Off	NO	Turns lamp off when DMX signal is lost
			YES	
	Ignition Delay	000–255	Sets the delay duration between product power on and lamp power on	
	Low Power Delay	000–255	Sets the delay duration when shutter is closed and lamp enters lower power state	
	Reset Lamp Time	NO	Leaves lamp time unchanged	
		YES	Resets lamp timer to 0	
	Maintenance Timer	Interval	010–250	Defines amount of hours between maintenance
		Remain Time	RESET	Shows maintenance timer. Select RESET to reset.
	NO			
	Backlight Timer	30S	Display turns off after 30 seconds	
1M		Display turns off after 1 minute		
5M		Display turns off after 5 minutes		
ON		Display stays on		
USB Update	NO	Update firmware via USB C		
	YES			
Reset Function	Pan/Tilt	NO YES	Reset individual functions or all functions from start-up	
	Shutter/Prism			
	Color			
	Gobo			
	Zoom/ Frost/ Focus			
All				
Factory Settings	NO	Reset to factory default settings		
	YES			

Main Level	Programming Levels		Description
Sys Info	Ver	V_	Shows firmware version
	Running Mode	---	Shows current running mode
	DMX Address	---	Shows current DMX address
	Temperature	---	Shows the product temperature in °C
	Lamp On Time	-----	Shows lamp on time
	Remaining Time	-----	Shows lamp maintenance time
	Fan1-4	-----	Shows speed of fans 1-4
	Power	---W	Shows power consumption in watts
	Orientation	---	Shows current orientation
	Fan5-10	-----	Shows speed of fans 5-10
	Base Fan1-2	-----	Shows speed of base fans 1-2
	BFAN1-5	-----	Shows speed of BFAN 1-5
	F-SP1	-----	Shows F-SP1

DMX Configuration

Use control configurations to operate the product with a DMX controller.

Control Personalities

To set the control personality:

1. Go to the **Run Mode** main level.
2. Select the **DMX** option.
3. Select the desired personality from **20CH** or **25CH**.



- See the [Starting Address](#) section for the highest selectable starting address for each personality.
- Make sure that the starting addresses on the various products do not overlap due to the new personality setting.

Starting Address

Each product will respond to a unique starting address from the controller. All products with the same starting address will respond in unison. To set the starting address:

1. Go to the **Address** main level.
2. Select the starting address (**001-512**).
 - The highest recommended starting address for **20CH** is **493**.
 - The highest recommended starting address for **25CH** is **488**.

Control Channel Assignments and Values

20CH	25CH	Function	Value	Percent/Setting
1	1	Pan	000 ⇔ 255	0–100%
2	2	Fine pan	000 ⇔ 255	Fine control (16-bit)
3	3	Tilt	000 ⇔ 255	0–100%
4	4	Fine tilt	000 ⇔ 255	Fine control (16-bit)
5	5	Pan/tilt speed	000 ⇔ 255	Fast to slow
6	6	Dimmer	000 ⇔ 255	0–100%
–	7	Fine dimmer	000 ⇔ 255	Fine control (16-bit)
7	8	Shutter	000 ⇔ 007	No function
			008 ⇔ 015	Open
			016 ⇔ 131	Synchronized strobe, slow to fast
			132 ⇔ 167	Fast close, slow open, slow to fast
			168 ⇔ 203	Slow close, fast open, slow to fast
			204 ⇔ 239	Pulse strobe, slow to fast
			240 ⇔ 250	Random strobe, slow to fast
251 ⇔ 255	Open			
8	9	Color wheel	000 ⇔ 001	Open
			002 ⇔ 005	Red
			006 ⇔ 009	Orange
			010 ⇔ 013	Cyan
			014 ⇔ 017	Light green
			018 ⇔ 021	Light yellow
			022 ⇔ 025	Green
			026 ⇔ 029	Magenta
			030 ⇔ 033	Dark blue
			034 ⇔ 037	Dark yellow
			038 ⇔ 041	Blue
			042 ⇔ 045	CTO 5600K
			046 ⇔ 049	CTO 6500K
			050 ⇔ 059	UV
			060 ⇔ 187	Color wheel indexing
			188 ⇔ 219	Color scroll, fast to slow
220 ⇔ 223	Stop			
224 ⇔ 255	Reverse color scroll, slow to fast			

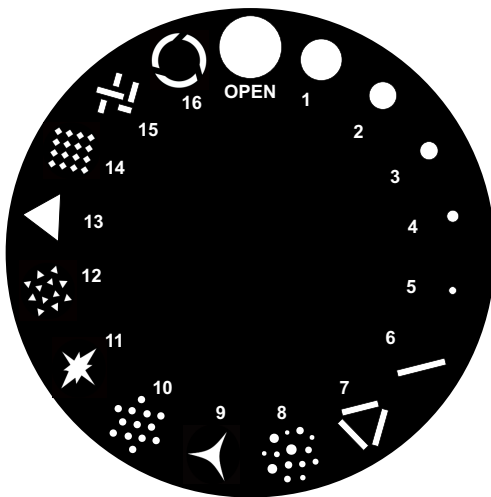
20CH	25CH	Function	Value	Percent/Setting
9	10	Gobo wheel 1 (see Gobo Wheels)	001 ⇄ 003	Open
			004 ⇄ 006	Gobo 1
			007 ⇄ 009	Gobo 2
			010 ⇄ 012	Gobo 3
			013 ⇄ 015	Gobo 4
			016 ⇄ 018	Gobo 5
			019 ⇄ 021	Gobo 6
			022 ⇄ 024	Gobo 7
			025 ⇄ 027	Gobo 8
			028 ⇄ 030	Gobo 9
			031 ⇄ 033	Gobo 10
			034 ⇄ 036	Gobo 11
			037 ⇄ 039	Gobo 12
			040 ⇄ 042	Gobo 13
			043 ⇄ 045	Gobo 14
			046 ⇄ 048	Gobo 15
			049 ⇄ 055	Gobo 16
			056 ⇄ 059	Open
			060 ⇄ 063	Gobo 1 shaking, slow to fast
			064 ⇄ 067	Gobo 2 shaking, slow to fast
			068 ⇄ 071	Gobo 3 shaking, slow to fast
			072 ⇄ 075	Gobo 4 shaking, slow to fast
			076 ⇄ 079	Gobo 5 shaking, slow to fast
			080 ⇄ 083	Gobo 6 shaking, slow to fast
			084 ⇄ 087	Gobo 7 shaking, slow to fast
			088 ⇄ 091	Gobo 8 shaking, slow to fast
			092 ⇄ 095	Gobo 9 shaking, slow to fast
			096 ⇄ 099	Gobo 10 shaking, slow to fast
			100 ⇄ 103	Gobo 11 shaking, slow to fast
			104 ⇄ 107	Gobo 12 shaking, slow to fast
			108 ⇄ 111	Gobo 13 shaking, slow to fast
			112 ⇄ 115	Gobo 14 shaking, slow to fast
			116 ⇄ 119	Gobo 15 shaking, slow to fast
120 ⇄ 123	Gobo 16 shaking, slow to fast			
124 ⇄ 127	Open			
128 ⇄ 189	Gobo scroll, fast to slow			
190 ⇄ 193	Stop			
194 ⇄ 255	Reverse gobo scroll, slow to fast			

Operation

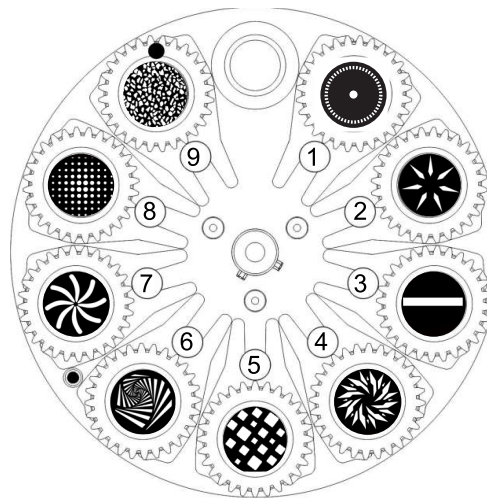
20CH	25CH	Function	Value	Percent/Setting
10	11	Gobo wheel 2 (see Gobo Wheels)	000	Open
			001 ⇔ 005	Open (aperture sets to Spot mode)
			006 ⇔ 011	Gobo 1
			012 ⇔ 017	Gobo 2
			018 ⇔ 023	Gobo 3
			024 ⇔ 029	Gobo 4
			030 ⇔ 035	Gobo 5
			036 ⇔ 041	Gobo 6
			042 ⇔ 047	Gobo 7
			048 ⇔ 053	Gobo 8
			054 ⇔ 063	Gobo 9
			064 ⇔ 069	Gobo 1 shaking, slow to fast
			070 ⇔ 075	Gobo 2 shaking, slow to fast
			076 ⇔ 081	Gobo 3 shaking, slow to fast
			082 ⇔ 087	Gobo 4 shaking, slow to fast
			088 ⇔ 093	Gobo 5 shaking, slow to fast
			094 ⇔ 099	Gobo 6 shaking, slow to fast
			100 ⇔ 105	Gobo 7 shaking, slow to fast
			106 ⇔ 111	Gobo 8 shaking, slow to fast
112 ⇔ 117	Gobo 9 shaking, slow to fast			
118 ⇔ 127	Open (aperture set to Spot mode)			
128 ⇔ 191	Gobo scroll, fast to slow			
192 ⇔ 255	Reverse gobo scroll, slow to fast			
11	12	Gobo wheel 2 rotate	000 ⇔ 063	Gobo index
			064 ⇔ 145	Rotation, fast to slow
			146 ⇔ 149	Stop
			150 ⇔ 231	Reverse rotation, slow to fast
			232 ⇔ 255	Alternating rotation, short to long
-	13	Fine gobo rotation	000 ⇔ 255	Fine control (16-bit)
12	14	Prism 1	000 ⇔ 004	No function
			005 ⇔ 255	Prism insert
13	15	Prism 1 rotate	000 ⇔ 127	Prism index
			128 ⇔ 189	Rotation, fast to slow
			190 ⇔ 193	Stop
			194 ⇔ 255	Reverse rotation, slow to fast
14	16	Prism 2	000 ⇔ 004	No function
			005 ⇔ 255	Prism insert
15	17	Prism 2 rotate	000 ⇔ 127	Prism index
			128 ⇔ 189	Rotation, fast to slow
			190 ⇔ 193	Stop
			194 ⇔ 255	Reverse rotation, slow to fast
16	18	Frost	000 ⇔ 004	No function
			005 ⇔ 255	0–100%
17	19	Beam diffraction	000 ⇔ 003	No function
			004 ⇔ 255	On
18	20	Focus	000 ⇔ 255	0–100%
-	21	Fine focus	000 ⇔ 255	Fine control (16-bit)

20CH	25CH	Function	Value	Percent/Setting
-	22	Auto focus	000 ⇄ 010 011 ⇄ 255	No function Auto detect distance
19	23	Zoom	000 ⇄ 255	0-100%
-	24	Zoom fine	000 ⇄ 255	Fine control (16-bit)
20	25	Control (3 second hold)	000 ⇄ 069 070 ⇄ 079 080 ⇄ 089 090 ⇄ 099 100 ⇄ 109 110 ⇄ 119 120 ⇄ 129 130 ⇄ 139 140 ⇄ 149 150 ⇄ 159 160 ⇄ 169 170 ⇄ 179 180 ⇄ 189 190 ⇄ 199 200 ⇄ 209 210 ⇄ 219 220 ⇄ 229 230 ⇄ 239 240 ⇄ 255	No function Blackout during pan/tilt Disable pan/tilt blackout Blackout while color wheel is moving Disable color wheel blackout Blackout while gobo wheels are moving Disable gobo wheel blackout Lamp on Pan/tilt reset Color wheel reset Gobo wheel reset Shutter/prism reset No function Frost/focus/zoom reset All reset Blackout all function during pan/tilt Disable blackout all function during pan/tilt Lamp off No function

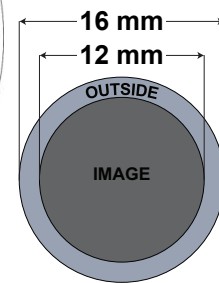
Gobo Wheels



Gobo wheel 1



Gobo wheel 2



Gobo 2 dimensions

Operation

Settings Configuration

Pan Reverse

To set the orientation of the pan:

1. Go to the **Setup** main level.
2. Select the **Pan Reverse** option.
3. Select from **NO** (normal pan motion), or **YES** (reversed pan motion).

Tilt Reverse

To set the orientation of the tilt:

1. Go to the **Setup** main level.
2. Select the **Tilt Reverse** option.
3. Select from **NO** (normal tilt motion), or **YES** (reversed tilt motion).

Screen Reverse

To set the orientation of the display:

1. Go to the **Setup** main level.
2. Select the **Screen Reverse** option.
3. Select from **NO** (right-side up), **YES** (upside-down), or **AUTO** (automatic orientation).

Pan Angle

To set the maximum angle of the pan:

1. Go to the **Setup** main level.
2. Select the **Pan Angle** option.
3. Select from **540** (540°), **360** (360°), or **180** (180°).

Tilt Angle

To set the maximum angle of the tilt:

1. Go to the **Setup** main level.
2. Select the **Tilt Angle** option.
3. Select from **260** (260°), **180** (180°), or **90** (90°).

Black Out on Movement

To set the product to black out on movement of the pan/tilt, color wheel, and/or gobo wheels.

1. Go to the **Setup** main level.
2. Select from **BL.O.P/T Move** (pan/tilt), **BL.O. ColorMove** (color wheel), or **BL.O. GoboMove** (gobo wheels).
3. Select from **NO** (do not black out during the selected movement), or **YES** (black out during the selected movement).

Lamp Settings

To access the lamp settings of the Rogue Outcast 2 Hybrid:

1. Go to the **Setup** main level.
2. Select the **Lamp Settings** option.

Lamp On/Off

To turn the lamp on or off:

1. Access the [Lamp Settings](#).
2. Select the **On/Off** option.
3. Select from **ON** or **OFF**.

Lamp State at Power On

To select whether the lamp will turn on when the product powers on:

1. Access the [Lamp Settings](#).
2. Select the **State/Power on** option.
3. Select from **ON** (lamp will turn on when the product powers on), or **OFF** (lamp must be turned on manually).

Off Via DMX

To enable the ability to turn the lamp off with a DMX controller:

1. Access the [Lamp Settings](#).
2. Select the **Off Via DMX** option.
3. Select from **NO** (DMX may not turn lamp off), or **YES** (DMX may turn lamp off).

On If DMX On

To set the lamp to turn on when a DMX signal is detected:

1. Access the [Lamp Settings](#).
2. Select the **On If DMX On** option.
3. Select from **NO** (detecting a DMX signal will not turn on the lamp), or **YES** (detecting a DMX signal will turn on the lamp).

Off If DMX Off

To set the lamp to turn off when a DMX signal is not detected:

1. Access the [Lamp Settings](#).
2. Select the **Off If DMX Off** option.
3. Select from **NO** (detecting no DMX signal will not turn off the lamp), or **YES** (detecting no DMX signal will turn off the lamp).

Ignition Delay

To set the time in seconds between the product powering on and the lamp turning on (when **State/Power On** is set to **ON**):

1. Access the [Lamp Settings](#).
2. Select the **Ignition Delay** option.
3. Set the delay time from **0–255** (seconds).

Low Power Delay

To set the time in seconds before the lamp enters low power mode with the shutter closed:

1. Access the [Lamp Settings](#).
2. Select the **Low Power Delay** option.
3. Set the delay time from **0–255** (seconds).

Reset Lamp On Time

To reset the Lamp On Time counter (see the [System Information](#)):

1. Access the [Lamp Settings](#).
2. Select the **Reset Lamp Time** option.
3. Select from **NO** (will not reset counter), or **YES** (resets counter).

Maintenance Timer Interval

To set the interval of the maintenance timer (how long before the product signals it needs maintenance):

1. Go to the **Setup** main level.
2. Select the **Maintenance Timer** option.
3. Select the **Interval** option.
4. Set the interval time from **010–250** (hours).

Reset Maintenance Timer

To reset the maintenance timer:

1. Go to the **Setup** main level.
2. Select the **Maintenance Timer** option.
3. Select the **Remain Time** option. The time remaining will display (it is also visible in the [System Information](#)).
4. Select from **RESET** (will reset the timer), or **NO** (will not reset the timer).

Display Backlight Timer

To set how long before an inactive display will turn off:

1. Go to the **Setup** main level.
2. Select the **Backlight Timer** option.
3. Select the length of the backlight timer, from **30S** (30 seconds), **1M** (1 minute), **5M** (5 minutes), or **ON** (always on).

Operation

USB Update

To enable or disable software update using USB:

1. Go to the **Setup** main level.
2. Select the **USB Update** option.
3. Select **NO** (disables software update through USB) or **YES** (enables software update through USB).



See the [USB Software Update](#) section for the detailed instructions on how to update the Rogue Outcast 2 Hybrid software using a USB C connection.

Reset Function

To reset specific functions or the entire product:

1. Go to the **Setup** main level.
2. Select the **Reset Function** option.
3. Select the functions to reset, from **Pan/Tilt, Shutter/Prism, Color, Gobo, Zoom/Frost/Focus, or All**.
4. Select **NO** (to cancel) or **YES** (to reset the selected functions).

Factory Reset

To reset the product to factory settings:

1. Go to the **Setup** main level.
2. Select the **Factory Settings** option.
3. Select **NO** (to cancel) or **YES** (to reset the product configuration).

Test Mode

Auto Test

To have the Rogue Outcast 2 Hybrid automatically test all functions one after the other:

1. Go to the **Run Mode** main level.
2. Select the **Auto Test** option.

Manual Test

To manually test an individual function of the Rogue Outcast 2 Hybrid:

1. Go to the **Run Mode** main level.
2. Select the **Manual Test** option.
3. Select a function to test, from **Pan, Pan Fine, Tilt, Tilt Fine, P/T Speed, Dimmer, Dimmer Fine, Shutter, Color, Gobo2, Gobo, Gobo Rot, Prism1, Prism1 Rot, Prism2, Prism2 Rot, Frost1, Beam Diffraction, Focus, Focus Fine, Focus Auto, Zoom, Zoom Fine, or Special Function**.
4. Increase or decrease the value of the selected function from **000–255** to test it.

System Information

The information section of the menu displays statistics and the current status of the product's various functions. To view this information:

1. Go to the **Sys Info** main level.
2. Use **<UP>** and **<DOWN>** to view all information.

Offset Mode (Zero Adjust)

The Offset mode provides fine adjustments for the home position of the pan, tilt, and zoom movements. To adjust these options:

1. From the main level screen, press and hold **<MENU>** until the passcode screen appears.
2. Use **<UP>** (increase value) and **<DOWN>** (next value) to enter the passcode: **2323** and press **<ENTER>**.
3. Select the “zero” position to adjust, from **PAN, TILT, SHUT1, SHUT2, COLOR, GOBO2, GOBO, GOBO ROT, FOCUS GOBO, FOCUS GOBO2, ZOOM, PRISM1, PRISM1 ROT, PRISM2, PRISM2 ROT, IRIS, FROST1, Beam Diffraction, RDM4, RDM5, or RDM6**.
4. Adjust the “zero” position for the selected function from **000–255**.

Error Codes

See the table below for error codes and recommended solutions:

Error Code	Possible Reason	Potential Solution
Base Fan1	Base Fan 1 is damaged	Replace base fan 1
	Fan wires have poor connection	Check fan wire connection
Base Fan2	Base Fan 2 is damaged	Replace base fan 2
	Fan wires have poor connection	Check fan wire connection
BFAN1	B Fan 1 is damaged	Replace B fan 1
	Fan wires have poor connection	Check fan wire connection
BFAN2	B Fan 2 is damaged	Replace B fan 2
	Fan wires have poor connection	Check fan wire connection
BFAN3	B Fan 3 is damaged	Replace B fan 3
	Fan wires have poor connection	Check fan wire connection
BFAN4	B Fan 4 is damaged	Replace B fan 4
	Fan wires have poor connection	Check fan wire connection
BFAN5	B Fan 5 is damaged	Replace B fan 5
	Fan wires have poor connection	Check fan wire connection
Color	Sensor board is damaged	Replace the color sensor board
	The magnetic rod of COLOR sensor board is dropped or installed upside down	Check the magnetic rod
CPU-A	The display PCB is damaged	Replace the display board
	CPU-A software upload failed	Re-upload the CPU-A software
CPU-B	The pan/tilt driver PCB is damaged	Replace the pan/tilt driver board
	CPU-B software upload failed	Re-upload the CPU-B software
CPU-C	The gobo/color motor driver PCB is damaged	Replace the gobo/color motor driver PCB
	CPU-C software upload failed	Re-upload the CPU-C software
CPU-D	The zoom/focus motor driver PCB is damaged	Replace the zoom/focus motor driver PCB
	CPU-D software upload failed	Re-upload the CPU-D software
CPU-E	The CMY motor driver PCB is damaged	Replace the CMY motor driver PCB
	CPU-E software upload failed	Re-upload the CPU-E software
FAN1	Fan 1 is damaged	Replace fan 1
	Fan wires have poor connection	Check fan wire connection
FAN2	Fan 2 is damaged	Replace fan 2
	Fan wires have poor connection	Check fan wire connection
FAN3	Fan 3 is damaged	Replace fan 3
	Fan wires have poor connection	Check fan wire connection
FAN4	Fan 4 is damaged	Replace fan 4
	Fan wires have poor connection	Check fan wire connection
FAN5	Fan 5 is damaged	Replace fan 5
	Fan wires have poor connection	Check fan wire connection
FAN6	Fan 6 is damaged	Replace fan 6
	Fan wires have poor connection	Check fan wire connection
FAN7	Fan 7 is damaged	Replace fan 7
	Fan wires have poor connection	Check fan wire connection
FAN8	Fan 8 is damaged	Replace fan 8
	Fan wires have poor connection	Check fan wire connection

Operation

Error Code	Possible Reason	Potential Solution
Focus	Sensor board is damaged	Replace the focus sensor board
	The magnetic rod of the focus sensor board is dropped or installed upside down	Check the magnetic rod
F-SP1	Fan SP1 is damaged	Replace fan SP1
	Fan wires have poor connection	Check fan wire connection
Gobo	Sensor board is damaged	Replace the gobo sensor board
	The magnetic rod of the gobo sensor board is dropped or installed upside down	Check the magnetic rod
Gobo.R	Sensor board is damaged	Replace the gobo rotation sensor board
	The magnetic rod of the gobo rotation sensor board is dropped or installed upside down	Check the magnetic rod
Gobo2	Sensor board is damaged	Replace the gobo2 sensor board
	The magnetic rod of the gobo2 sensor board is dropped or installed upside down	Check the magnetic rod
Lamp Hot	The thermistor is overheated	Check the lamp connection or replace the lamp
	Open circuit or short circuit of the thermistor	Replace or weld the thermistor
Prism1	Prism1 sensor board is damaged	Replace the prism 1 sensor board
	The magnetic rod of the prism 1 sensor board is dropped or installed upside down	Check the magnetic rod
Prism1.R	Prism 1 rotation sensor board is damaged	Replace the prism 1 rotation sensor board
	The magnetic rod of the prism 1 rotation sensor board is dropped or installed upside down	Check the magnetic rod
Prism2	Prism 2 sensor board is damaged	Replace the prism 2 sensor board
	The magnetic rod of the prism 2 sensor board is dropped or installed upside down	Check the magnetic rod
Protecting (Lamp Off)	Lamp is off, in protection mode	Resolve issue which triggered protection mode, then turn the lamp on through the Lamp Settings
X_cm	Pan magnetic locating board is damaged	Replace the pan magnetic locating board
	Pan/tilt driver board is damaged	Replace the pan/tilt driver board
X_op	Pan optocoupler board is damaged	Replace the pan optocoupler board
	Pan/tilt driver board is damaged	Replace the pan/tilt driver board
Y_cm	Tilt magnetic locating board is damaged	Replace the tilt magnetic locating board
	Pan/tilt driver board is damaged	Replace the pan/tilt driver board
Y_op	Tilt optocoupler board is damaged	Replace the tilt optocoupler board
	Pan/tilt driver board is damaged	Replace the pan/tilt driver board
Zoom	Sensor board is damaged	Replace the zoom sensor board
	The magnetic rod of the zoom sensor board is dropped or installed upside down	Check the magnetic rod

5. Maintenance

Product Maintenance

Dust build-up reduces light output performance and can cause overheating. This can lead to reduction of the light source's life and/or mechanical wear. To maintain optimum performance and minimize wear, clean all lighting products at least twice a month. However, be aware that usage and environmental conditions could be contributing factors to increase the cleaning frequency.

To clean the product, follow the instructions below:

1. Unplug the product from power.
2. Wait until the product is at room temperature.
3. Use a vacuum (or dry compressed air) and a soft brush to remove dust collected on the external surface/vents.
4. Clean all transparent surfaces with a mild soap solution, ammonia-free glass cleaner, or isopropyl alcohol.
5. Apply the solution directly to a soft, lint free cotton cloth or a lens cleaning tissue.
6. Softly drag any dirt or grime to the outside of the transparent surface.
7. Gently polish the transparent surfaces until they are free of haze and lint.



Always dry the transparent surfaces carefully after cleaning them.



Do not spin the cooling fans with compressed air. Damage may result.

Torque Measurements

To maintain the IP rating when reassembling the product, use the given torque measurements for each of the following screws and bolts:

Fixture Parts	Torque Rating (Kgf.cm)	Torque Rating (lgb.in)
Screws around power and data ports	3.56901	3.09776
Fuse	7.13801	6.19551
Screws around display	9.17745	7.96566
Omega bracket holder	12.2366	10.62088
Center of yoke plate	15.2957	13.27606
Screws inside feet		
Base screws around outside (not the feet)	16.3155	14.1612
Lamp housing screws	18.3549	15.93132
Arm covers		
Lens support plate (under lens cover)		
Cover screws		
Base center screws	35.6901	30.97758

Vacuum Test Measurements

Use the IP Tester from Chauvet Professional to ensure the product has been reassembled correctly by following the information below:

Parameters	Values
Method	Positive
Test pressure	15 kPa
Test duration	60 seconds
PASS state leak pressure	<0.1 kPa

Maintenance

Gobo Maintenance

To ensure optimal operation, 1) inspect and 2) clean gobos every four months. More frequent maintenance may be necessary if usage is higher.

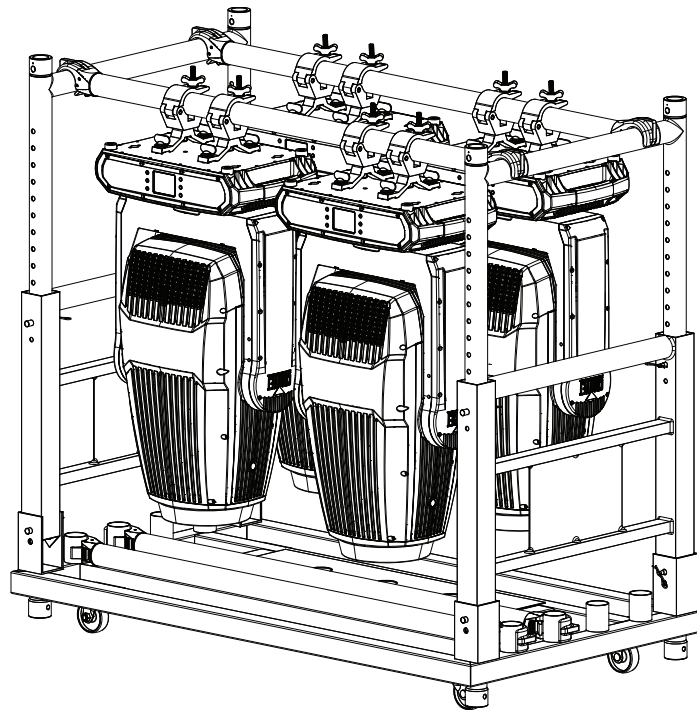
To inspect, remove each gobo holder and check if:

- the holders are clean (free of dirt, grime, or gunk).
- the gobos are properly installed in the holders.
- all the bearings are in place.
- the holders are rotating freely.

To clean the gobos and the gobo holder, follow the instructions below:

1. Remove the gobos from the holder.
2. Clean the gobos with a soft, lint-free cotton cloth. Use an ammonia-free glass cleaner sprayed to a piece of lint-free cotton cloth to clean glass gobos.
3. Submerge the gobo holder (without the gobo installed) in a container with a liquid lubricant (i.e., WD40) and let it rest for a couple of minutes.
4. Shake the container with the gobo holder inside to help release/loosen any gunk/grime/dirt.
5. Take the gobo holder out of the container and clean it using a small nylon brush.
6. Wipe off all the lubricant from the gobo holder using a piece of lint-free cotton cloth.
7. Apply a small coat of synthetic oil (i.e., Liquid Bearings) to the bearings and rotate it thoroughly in both directions (needle tip applicator recommended). Make sure the gobo holder is rotating freely and is not making any abnormal noise.
8. Reinstall the gobos in the gobo holder. Make sure the gobos are in the correct positions.
9. Reinstall the gobo holder in the unit.

Transporting on Truss or Racks



When transporting fixtures in pre-rigged truss and transportation racks, mount fixtures in the vertical position with the lenses facing down and the pan and tilt locks engaged. This is to prevent undue stress on the tilt locks and limit the amount of off-axis bounce on internal components.

6. Technical Specifications

Dimensions and Weight

Length	Width	Height	Weight
14.41 in (366 mm)	10.04 in (255 mm)	27.76 in (705 mm)	54.4 lb (24.7 kg)

Note: Dimensions in inches are rounded.

Power

Power Supply Type	Range	Voltage Selection
Switching (internal)	100 to 240 VAC, 50/60 Hz	Auto-ranging

Parameter	100 V, 60 Hz	120 V, 60 Hz	208 V, 60 Hz	230 V, 50 Hz	240 V, 50 Hz
Consumption	600 W	581 W	565 W	568 W	568 W
Operating Current	6.04A	4.95 A	2.76 A	2.53 A	2.44 A
Fuse/Breaker	10 A, 250 V	10 A, 250 V	10 A, 250 V	10 A, 250 V	10 A, 250 V

Power I/O	U.S./Worldwide	UK/Europe
Power input connector	Seetronic Powerkon IP65	Seetronic Powerkon IP65
Power cable plug	Bare wire	Bare wire

Light Source

Type	Color	Quantity	Power	Lifespan
Ushio NSL Lamp	8000 K	1	400 W	6,000 hours*

*Test lab conditions. May vary depending on several factors including but not limited to: environmental conditions, power/voltage, usage patterns, (on/off power cycling), control, and dimming.

Photometrics

Mode	Beam Angle	Field Angle	Cutoff Angle	Zoom Angle
Spot mode	1.4° to 14.5°	2.8° to 30°	3.5° to 37.2°	1.4° to 37.2°
Beam mode	0.9° to 6.7°	1.7° to 18.1°	2.1° to 20.7°	0.9° to 20.7°
Wash mode	5.4° to 32.1°	9.5° to 39.4°	11.9° to 41.7°	5.4° to 41.7°

Mode	Illuminance @ 5 m (Narrow)	Illuminance @ 5 m (Wide)
Spot mode	1.4°: 790/297 lux	37.2°: 6,787 lux
Beam mode	0.9°: 180,594 lux	20.7°: 2,158 lux
Wash mode	9.1°: 30,289 lux	41.7°: 1,309 lux

Thermal

Maximum External Temperature	Cooling System
113 °F (45 °C)	Fan-assisted convection

DMX

I/O Connector	Channel Range
5-pin XLR	20 or 25

Ordering

Product Name	Item Name	Item Code	UPC Number
Rogue Outcast 2 Hybrid	ROGUEOUTCAST2HYBRID	08011974	781462223229



Contact Us

General Information	Technical Support
Chauvet World Headquarters	
Address: 3360 Davie Rd., Suite 509 Davie, FL 33314 Voice: (954) 577-4455 Fax: (954) 929-5560 Toll Free: (800) 762-1084	Voice: (844) 393-7575 Fax: (954) 756-8015 Email: chauvetcs@chauvetlighting.com Website: www.chauvetdj.com
Chauvet U.K.	
Address: Pod 1 EVO Park Little Oak Drive, Sherwood Park Nottinghamshire, NG15 0EB UK Voice: +44 (0) 1773 511115 Fax: +44 (0) 1773 511110	Email: UKtech@chauvetlighting.eu Website: www.chauvetdj.eu
Chauvet Benelux	
Address: Stokstraat 18 9770 Kruishoutem Belgium Voice: +32 9 388 93 97	Email: BNLtech@chauvetlighting.eu Website: www.chauvetdj.eu
Chauvet France	
Address: 3, Rue Ampère 91380 Chilly-Mazarin France Voice: +33 1 78 85 33 59	Email: FRtech@chauvetlighting.fr Website: www.chauvetdj.eu
Chauvet Germany	
Address: Bruno-Bürgel-Str. 11 28759 Bremen Germany Voice: +49 421 62 60 20	Email: DEtech@chauvetlighting.de Website: www.chauvetdj.eu
Chauvet Mexico	
Address: Av. de las Partidas 34 - 3B (Entrance by Calle 2) Zona Industrial Lerma Lerma, Edo. de México, CP 52000 Voice: +52 (728) 690-2010	Email: servicio@chauvet.com.mx Website: www.chauvetdj.mx

Warranty & Returns

For warranty terms and conditions and return information, please visit our website.

For customers in the United States and Mexico: www.chauvetlighting.com/warranty-registration.

For customers in the United Kingdom, Republic of Ireland, Belgium, the Netherlands, Luxembourg, France, and Germany: www.chauvetlighting.eu/warranty-registration.