

MAVERICK FORCE S PROFILE

User Manual



Model ID: MAVERICKFORCESPROFILE

CHAUVET
PROFESSIONAL

Edition Notes

The Maverick Force s Profile User Manual includes a description, safety precautions, installation, programming, operation, and maintenance instructions for the Maverick Force s Profile as of the release date of this edition.

Trademarks

Chauvet, Chauvet Professional, the Chauvet logo, Maverick, and Maverick Force s Profile are registered trademarks or trademarks of Chauvet & Sons, LLC (d/b/a Chauvet and Chauvet Lighting) in the United States and other countries. Other company and product names and logos referred to herein may be trademarks of their respective companies.

Copyright Notice

The works of authorship contained in this manual, including, but not limited to, all designs, texts, and images are owned by Chauvet.

© **Copyright 2023 Chauvet & Sons, LLC. All rights reserved.**

Electronically published by Chauvet in the United States of America.

Manual Use

Chauvet authorizes its customers to download and print this manual for professional information purposes only. Chauvet expressly prohibits the usage, copy, storage, distribution, modification, or printing of this manual or its content for any other purpose without written consent from Chauvet.

Document Printing

For best results, print this document in color, on letter size paper (8.5 x 11 in), double-sided. If using A4 paper (210 x 297 mm), configure the printer to scale the content accordingly.

Intended Audience

Any person installing, operating, and/or maintaining this product should completely read through the guide that shipped with the product, as well as this manual, before installing, operating, or maintaining this product.

Disclaimer

Chauvet believes that the information contained in this manual is accurate in all respects. However, Chauvet assumes no responsibility and specifically disclaims any and all liability to any party for any loss, damage or disruption caused by any errors or omissions in this document, whether such errors or omissions result from negligence, accident, or any other cause. Chauvet reserves the right to revise the content of this document without any obligation to notify any person or company of such revision; however, Chauvet has no obligation to make, and does not commit to make, any such revisions. Download the latest version from www.chauvetprofessional.com.

Document Revision

This Maverick Force s Profile User Manual is the 5th edition of this document. Go to www.chauvetprofessional.com for the latest version.

TABLE OF CONTENTS

- 1. Before You Begin** 1
 - What Is Included 1
 - Claims 1
 - Text Conventions 1
 - Symbols 1
 - Safety Notes..... 2
 - FCC Statement of Compliance 3
 - RF Exposure Warning for North America and Australia..... 3
 - Expected LED Lifespan..... 3
- 2. Introduction**..... 4
 - Description 4
 - Features 4
 - Product Overview..... 4
 - Product Dimensions 5
- 3. Setup**..... 6
 - AC Power 6
 - Power Linking..... 6
 - AC Plug 6
 - Fuse Replacement..... 6
 - Signal Connections 7
 - Control Personalities 7
 - DMX Linking..... 7
 - Remote Device Management..... 7
 - Art-Net™ Connection 7
 - sACN Connection..... 7
 - Connection Diagram 8
 - USB Software Update 8
 - Mounting 9
 - Orientation..... 9
 - Rigging 9
 - Procedure..... 9
- 4. Operation**..... 10
 - Touchscreen Control Panel..... 10
 - Control Panel Description 10
 - Battery-Powered Display..... 10
 - Home Screen 10
 - Control Panel Lock..... 10
 - Technician Mode..... 10
 - Menu Map 11
 - DMX Values 16
 - Color Wheel 19
 - Gobo Designs 20
 - Rotating Gobo Dimensions 20
 - Configuration (DMX, WMDX, Art-Net™, sACN)..... 21
 - Control Mode..... 21
 - Control Personalities 21
 - Starting Address..... 21
 - Network Setup..... 21
 - IP Mode..... 21
 - Universe..... 21
 - Manual IP Address..... 21
 - Subnet Mask 21

| | |
|---|-----------|
| Configuration (Settings) | 22 |
| Pan Reverse | 22 |
| Tilt Reverse | 22 |
| Screen Reverse | 22 |
| Pan Angle..... | 22 |
| Tilt Angle | 22 |
| Blackout on Movement..... | 22 |
| Touchscreen Calibration | 22 |
| Touchscreen Lock..... | 22 |
| Swap Pan and Tilt..... | 22 |
| Display Backlight Timer..... | 22 |
| Loss of Data | 23 |
| Fan Mode | 23 |
| Dimmer Curve | 23 |
| Pulse Width Modulation | 23 |
| LED Power..... | 23 |
| Minimum Zoom Focus..... | 23 |
| Preset Selection | 23 |
| Preset Synchronization | 23 |
| USB Update | 24 |
| Reset Function | 24 |
| Factory Reset..... | 24 |
| Test Mode | 24 |
| Auto Test..... | 24 |
| Manual Test | 24 |
| System Information | 24 |
| Offset Mode (Zero Adjust)..... | 24 |
| Web Server | 25 |
| Gobo Replacement | 26 |
| Procedure..... | 26 |
| Diagram..... | 26 |
| 5. Maintenance..... | 27 |
| Product Maintenance | 27 |
| 6. Technical Specifications..... | 28 |
| Contact Us..... | 29 |
| Warranty & Returns..... | 29 |

Before You Begin

1. Before You Begin

What Is Included

- Maverick Force s Profile
- Seetronic Powerkon IP65 power cord
- 2 Omega brackets with mounting hardware
- Quick Reference Guide

Claims

Carefully unpack the product immediately and check the container to make sure all the parts are in the package and are in good condition.




If the box or the contents (the product and included accessories) appear damaged from shipping, or show signs of mishandling, notify the carrier immediately, not Chauvet. Failure to report damage to the carrier immediately may invalidate the claim. In addition, keep the box and contents for inspection.

For other issues, such as missing components or parts, damage not related to shipping, or concealed damage, file a claim with Chauvet within 7 days of delivery.

Text Conventions

| Convention | Meaning |
|----------------------|--|
| 1–512 | A range of values |
| 50/60 | A set of values of which only one can be chosen |
| Settings | A menu option not to be modified |
| <ENTER> | A key to be pressed on the product's control panel |

Symbols

| Symbol | Meaning |
|---|---|
|  | Critical installation, configuration, or operation information. Not following these instructions may make the product not work, cause damage to the product, or cause harm to the operator. |
|  | Important installation or configuration information. The product may not function correctly if this information is not used. |
|  | Useful information. |



Any reference to data or power connections in this manual assumes the use of Seetronic IP-rated cables.



The term “DMX” used throughout this manual refers to the USITT DMX512-A digital data transmission protocol.

Safety Notes

Read all the following safety notes before working with this product. These notes contain important information about the installation, usage, and maintenance of this product.



This product contains no user-serviceable parts. Any reference to servicing in this User Manual will only apply to properly trained, certified technicians. Do not open the housing or attempt any repairs.



All applicable local codes and regulations apply to proper installation of this product.

- The luminaire is intended for professional use only.
- The luminaire should be positioned so that prolonged staring into the luminaire at a distance closer than 10 ft (3 m) is not expected.
- If the external flexible cable or cord of this luminaire is damaged, it shall be replaced by a special cord or cord exclusively available from the manufacturer or its service agent.
- The light source contained in this luminaire shall only be replaced by the manufacturer or its service agent or a similar qualified person.
- **CAUTION:**
 - This product's housing may be hot when operating. Mount this product in a location with adequate ventilation, at least 20 in (50 cm) from adjacent surfaces.
 - When transferring the product from extreme temperature environments, (e.g., cold truck to warm humid ballroom) condensation may form on the internal electronics of the product. To avoid causing a failure, allow the product to fully acclimate to the surrounding environment before connecting it to power.
 - Flashing light is known to trigger epileptic seizures. User must comply with local laws regarding notification of strobe use.
- **ALWAYS:**
 - Disconnect from power before cleaning the product or replacing the fuse.
 - Replace the fuse with the same type and rating.
 - Use a safety cable when mounting this product overhead.
 - Connect this product to a grounded and protected circuit.
- **DO NOT:**
 - Open this product. It contains no user-serviceable parts.
 - Look at the light source when the product is on.
 - Leave any flammable material within 1.64 ft (50 cm) of this product while operating or connected to power.
 - Connect this product to a dimmer or rheostat.
 - Operate this product if the housing, lenses, or cables appear damaged.
 - Operate this product outdoors or in any location where dust, excessive heat, water, or humidity may affect it (adhere to standards for the published IP rating).
- **ONLY** use the hanging/mounting bracket to carry this product.
- The maximum ambient temperature is 113 °F (45 °C). Do not operate this product at higher temperatures.
- The minimum startup temperature is -14°F (-10°C). Do not start the product at lower temperatures.
- To eliminate unnecessary wear and improve its lifespan, during periods of non-use completely disconnect the product from power via breaker or by unplugging it.
- In the event of a serious operating problem, stop using immediately.



If a Chauvet product requires service, contact Chauvet Technical Support.

Before You Begin

FCC Statement of Compliance

This device complies with Part 15 Part B of the FCC rules. Operation is subject to the following two conditions:

1. This device may not cause harmful interference, and
2. This device must accept any interference received, including interference that may cause undesired operation.

This equipment has been tested and found to comply with the limits for a Class B digital device, pursuant to Part 15 of the FCC Rules. These limits are designed to provide reasonable protection against harmful interference in a residential installation. This equipment generates uses and can radiate radio frequency energy and, if not installed and used in accordance with the instructions, may cause harmful interference to radio communications. However, there is no guarantee that interference will not occur in a particular installation. If this equipment does cause harmful interference to radio or television reception, which can be determined by turning the equipment off and on, the user is encouraged to try to correct the interference by one or more of the following measures:

- Reorient or relocate the receiving antenna.
- Increase the separation between the equipment and receiver.
- Connect the equipment into an outlet on a circuit different from that to which the receiver is connected.
- Consult the dealer or an experienced radio/TV technician for help.

Any changes or modifications not expressly approved by the party responsible for compliance could void the user's authority to operate the equipment.

RF Exposure Warning for North America and Australia

Warning! This equipment complies with FCC radiation exposure limits set forth for an uncontrolled environment. This equipment should be installed and operated with a minimum distance of 20 cm between the radiator and the user. This transmitter must not be co-located or operating in conjunction with any other antenna or transmitter.

Expected LED Lifespan

Over time, use and heat will gradually reduce LED brightness. Clustered LEDs produce more heat than single LEDs, contributing to shorter lifespans if always used at full intensity. The average LED lifespan is 40,000 to 50,000 hours. To extend LED lifespan, maintain proper ventilation around the product, and limit the overall intensity.

2. Introduction

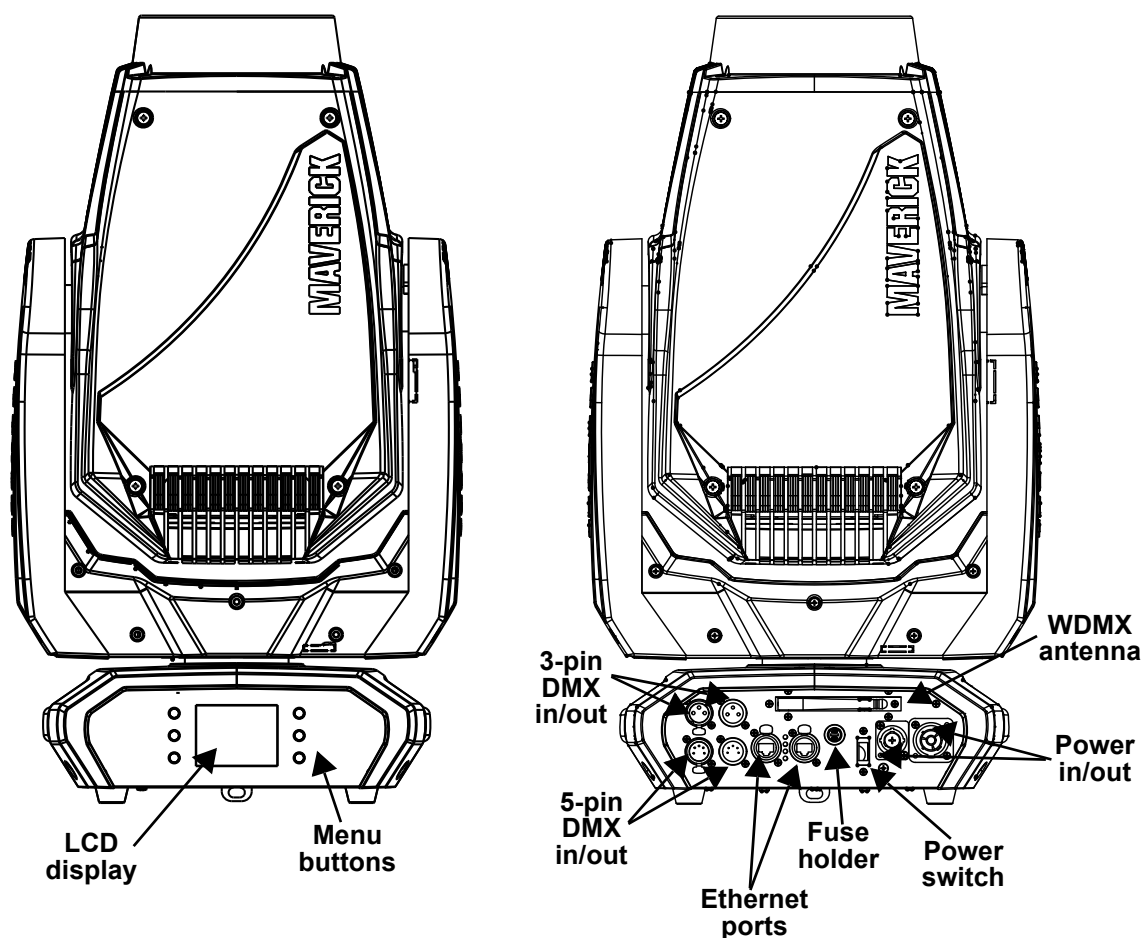
Description

Maverick Force s Profile is ideal for small to medium multi-faceted projects in need of seamless color-mixing, advanced optics, framing shutters, and control options in a lightweight frame. Just over 50 lbs, this compact unit features a smart optical system that maximizes the output of 14,000 lumens and provides high-quality color mixing with a CTB filter. An 8-slot color wheel is also added with split-color combinations in mind. Maverick Force s Profile includes a custom framing system equipped with dual axis movement and a 120° complete module rotation for fast beam shaping. A speedy effects artillery includes motorized iris, frost, focus, a 5-facet prism and wide zoom ranging from 4.5° to 41.6°. Additionally, custom gobos created in collaboration with leading designers can be stacked on top of one another for dynamic effects. That is a lot packed in a small frame standing just over 2 ft tall. Control with DMX, sACN, Art-Net or WDMX.

Features

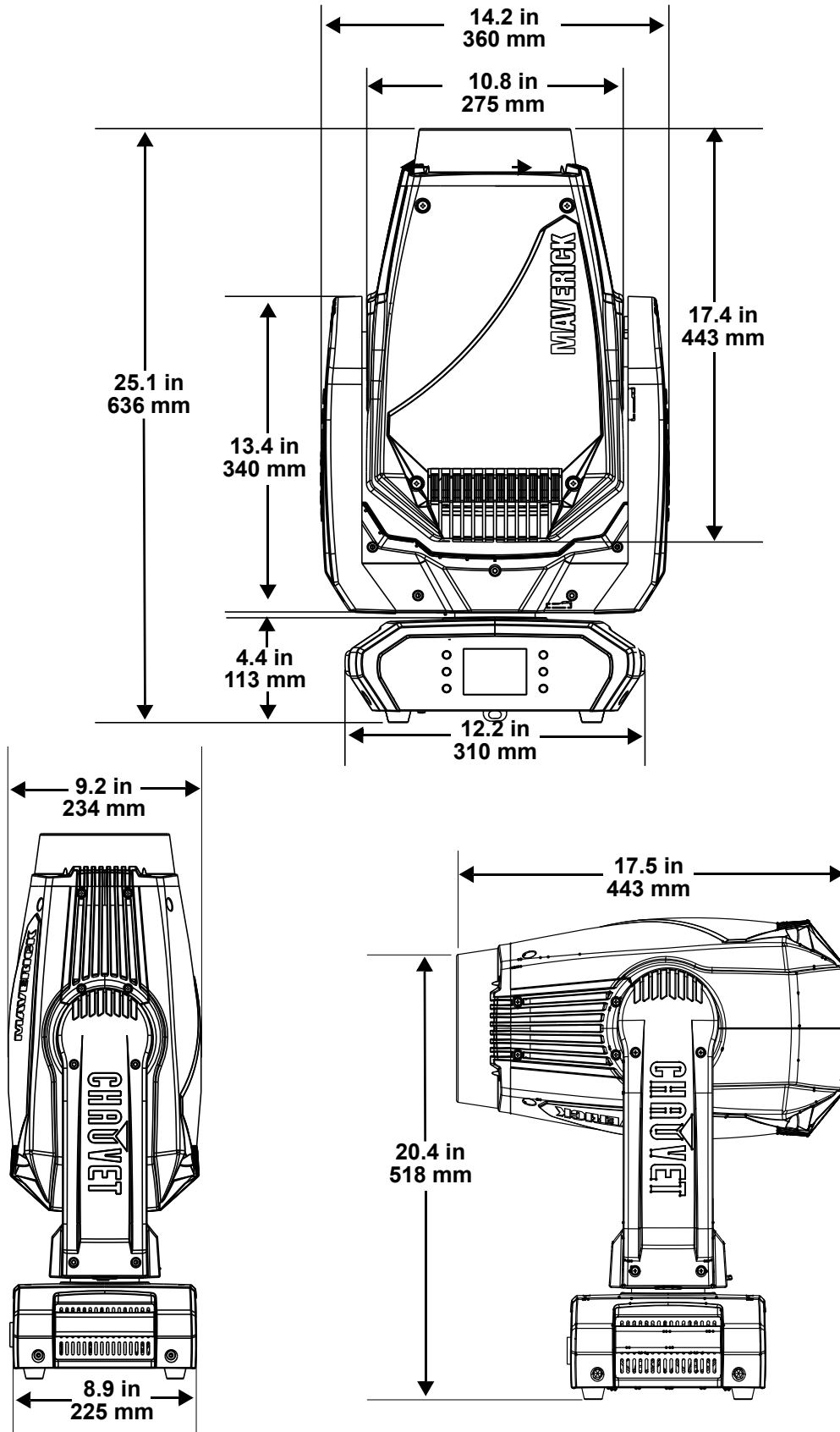
- Fully featured, compact, and lightweight 315 W LED yoke profile fixture including CMY color mixing, a color wheel, zoom optics, framing shutters with rotation, and 2 gobo wheels—1 rotating and 1 static
- 16-bit dimming of master dimmer for smooth control of fades
- Variable CMY color mixing system to create a wide pallet of colors
- DMX, WDMX, sACN, and Art-Net for full flexibility of control options
- RDM enabled for remote addressing and trouble shooting
- 4.8° to 40.5° zoom range for variable beam sizes
- Iris, 5-facet prism, and frost for beam control
- 4 blade framing shutters with dual axis movement, full wipe, and 120° total module rotation
- True 1-compatible power input
- Three setup menu presets and preset sync for cross-loading to multiple like fixtures for easy shop setup
- USB slot for software uploads
- Battery backup display with auto-rotate depending on fixture orientation
- Failsafe Ethernet connectivity allows for data to pass even if fixture power is lost

Product Overview



Introduction

Product Dimensions



3. Setup

AC Power

The Maverick Force s Profile has an auto-ranging power supply, and it can work with an input voltage range of 100 to 240 V~, 50/60 Hz.

To determine the product's power requirements (e.g., circuit breaker, power outlet, and wiring), use the current value listed on the label affixed to the product's back panel or refer to the product's specifications chart. The listed current rating indicates the product's average current draw under normal conditions.



- **Always connect the product to a protected circuit (a circuit breaker or fuse). Make sure the product has an appropriate electrical ground to avoid the risk of electrocution or fire.**
- **To eliminate unnecessary wear and improve its lifespan, during periods of non-use completely disconnect the product from power via breaker or by unplugging it.**



Never connect the product to a rheostat (variable resistor) or dimmer circuit, even if the rheostat or dimmer channel serves only as a 0 to 100% switch.

Power Linking

It is possible to power link Maverick Force s Profile products. See the table below for the current draw at each voltage and frequency:

| | 100 V, 60 Hz | 120 V, 60 Hz | 208 V, 60 Hz | 230 V, 50 Hz | 240 V, 60 Hz |
|---------------------|--------------|--------------|--------------|--------------|--------------|
| Current Draw | 5.82 A | 4.75 A | 2.69 A | 2.44 A | 2.33 A |

Never exceed 10A on a single circuit. Power-linking cables can be purchased separately.

AC Plug

The Maverick Force s Profile comes with a power input cord terminated with a Seetronic Powerkon IP65 connector on one end and an Edison plug on the other end (U.S. market). If the power input cord that came with the product has no plug, or if the plug needs to be changed, use the table below to wire the new plug.

| Connection | Wire (U.S.) | Wire (Europe) | Screw Color |
|------------|--------------|---------------|-----------------|
| AC Live | Black | Brown | Yellow or Brass |
| AC Neutral | White | Blue | Silver |
| AC Ground | Green/Yellow | Green/Yellow | Green |

Fuse Replacement

1. Disconnect this product from the power outlet.
2. Using a flat-head screwdriver, unscrew the fuse holder cap from the housing.
3. Remove the blown fuse, and replace with another fuse of the same type and rating (F 10 A, 250 V).
4. Screw the fuse holder cap back in place and reconnect power.

Signal Connections

The Maverick Force s Profile can receive a DMX, Art-Net™, or sACN, signal. The Maverick Force s Profile has 2 Amphenol XLRnet through ports, and 3- and 5-pin DMX in and out ports. If using other compatible products with this product, each can be controlled individually with a single controller.

Control Personalities

The Maverick Force s Profile uses a 3 or 5-pin DMX data connection, WDMX, Art-Net™, or sACN for its two control personalities: **Dmx Mode 31 CH** and **Dmx Mode 47 CH**.

- Refer to the [Operation](#) chapter to learn how to configure the Maverick Force s Profile to work in these personalities.
- The [DMX Values](#) section provides detailed information regarding the control personalities.



For more information about DMX standards or the DMX cables needed to link this product to a DMX controller, download the DMX Primer from the Chauvet website: www.chauvetprofessional.com.

DMX Linking

The Maverick Force s Profile can be linked to a DMX controller using a 3 or 5-pin DMX connection or a WDMX connection. For more information about DMX, read the DMX primer at: https://www.chauvetprofessional.com/wp-content/uploads/2016/06/DMX_Primer.pdf.

Remote Device Management

Remote Device Management (RDM) is a standard for allowing DMX-enabled devices to communicate bi-directionally along existing DMX cabling. Check the DMX controller's User Manual or with the manufacturer as not all DMX controllers have this capability. The Maverick Force s Profile supports RDM protocol that allows feedback to make changes to menu map options.

Art-Net™ Connection

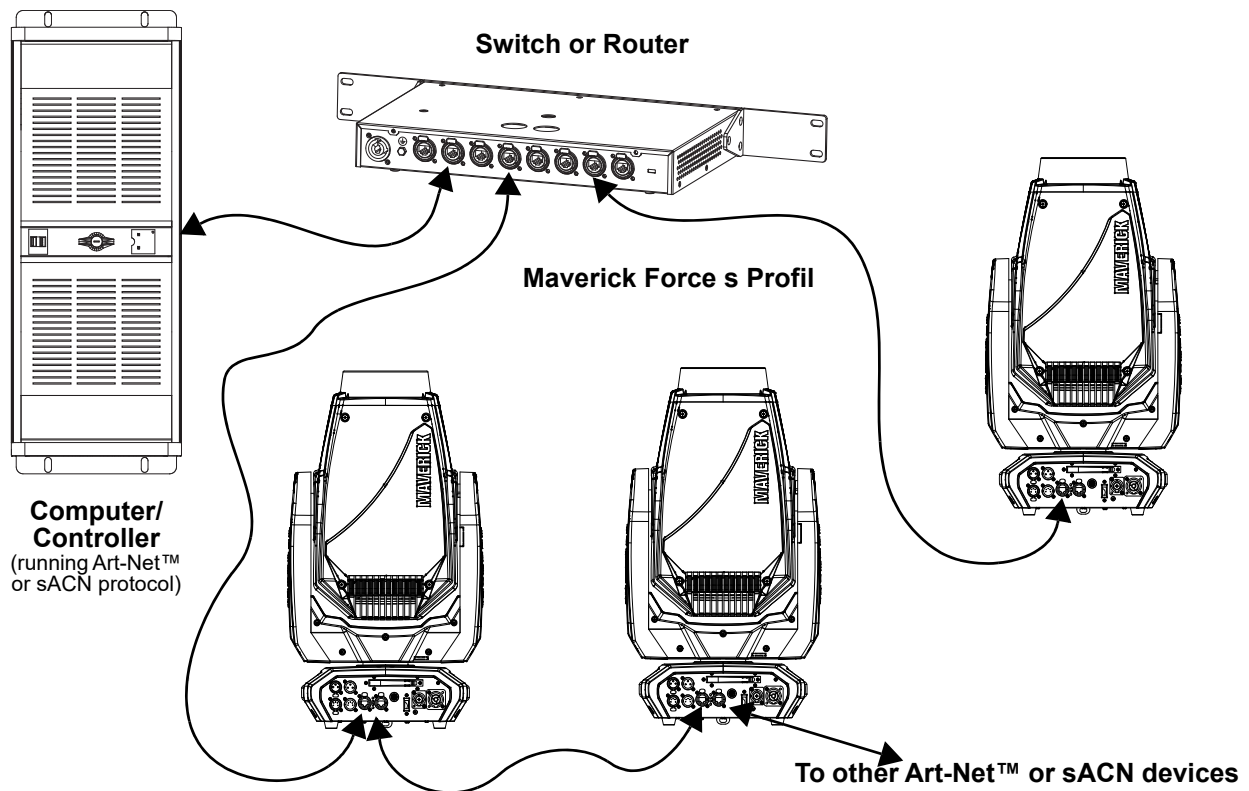
Art-Net™ is an Ethernet protocol that uses TCP/IP that transfers a large amount of DMX512 data using an Amphenol XLRnet RJ45 connection over a large network. An Art-Net™ protocol document is available from www.chauvetprofessional.com.

Art-Net™ designed by and copyright Artistic Licence Holdings Ltd.

sACN Connection

Streaming ACN, also known as ANSI E1.31, is an Ethernet protocol that uses the layering and formatting of Architecture for Control Networks to transport DMX512 data over IP or any other ACN-compatible network.

Connection Diagram



The LED indicators in between the Ethernet through ports indicate a connection to a network and activity on that network. They do not indicate whether or not the Maverick Force s Profile is receiving a signal from a controller.

USB Software Update

The Maverick Force s Profile allows for software update through USB using the built-in USB port. To update the software using the USB flash drive, do the following:

1. Power on the fixture and plug the flash drive into the USB port.
2. Once the flash drive has been detected, the message “Upgrade Firmware” will be displayed. Press **<ENTER>**.
 - If a different message appears on the display, search for the updated software in the **Menu (Updated Firmware)**. A list of the updated software files will be displayed.
3. Select the file that needs to be uploaded. The message “Are you sure?” will be displayed. Press **<ENTER>**.
4. If the selected file is correct, the update will be completed. Restart fixture.
 - If the selected file is incorrect, the update will fail, and the display will go back to the main interface. Repeat steps 1–3 using the correct file.



- Place the .chl format file in the root folder of the USB drive.
- The product’s USB port supports up to 32GB capacity and only works with FAT32 file format.

Setup

Mounting

Before mounting the product, read and follow the safety recommendations indicated in the [Safety Notes](#). For the Chauvet Professional line of mounting clamps, go to <http://trusst.com/products/>.

Orientation

Always mount this product in a safe position, making sure there is adequate room for ventilation, configuration, and maintenance.

Rigging

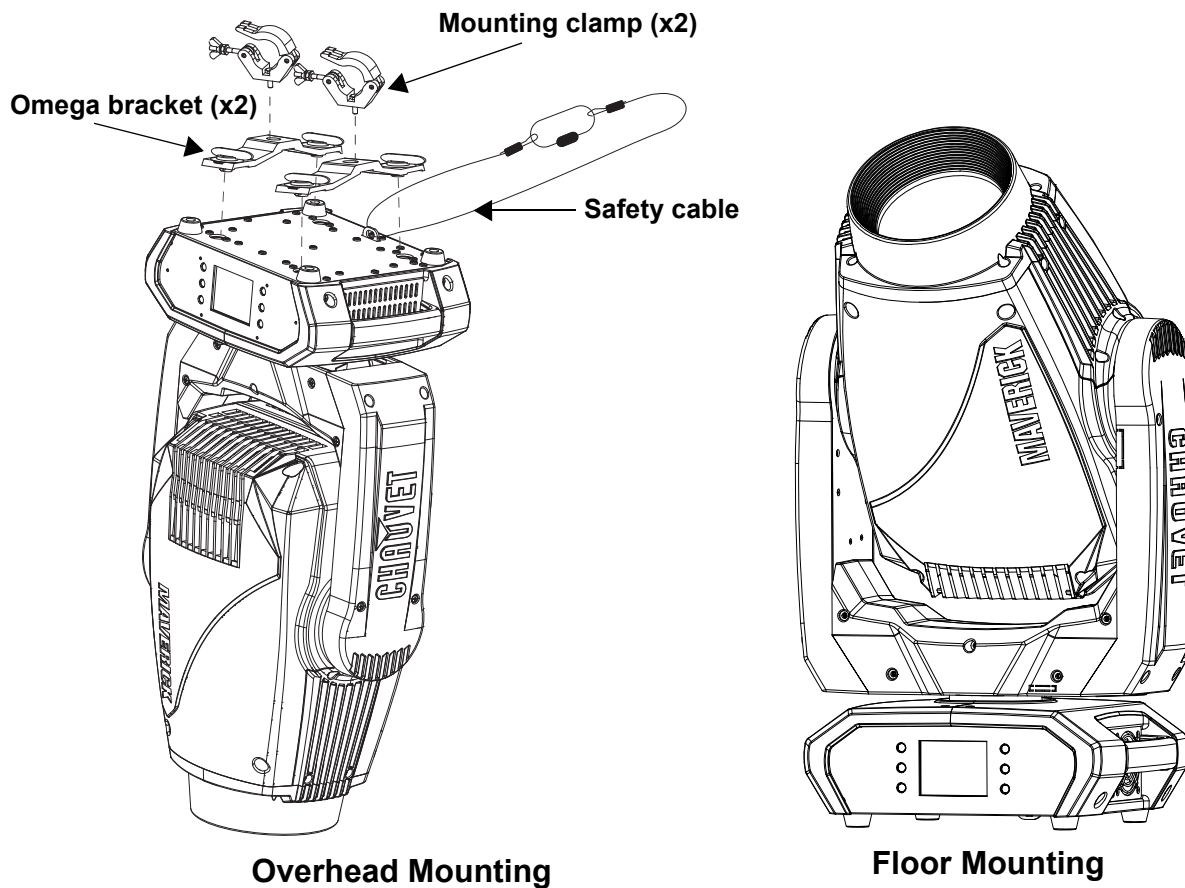
Chauvet recommends using the following general guidelines when mounting this product.

- Before deciding on a location for the product, make sure there is easy access to the product for maintenance and programming purposes.
- Make sure that the structure onto which the product will be mounted can support the product's weight (see the [Technical Specifications](#) for weight information).
- When mounting the product overhead, always use a safety cable. Mount the product securely to a rigging point, whether an elevated platform or a truss.
- When rigging the product onto a truss, use a mounting clamp of appropriate weight capacity.
- When power linking multiple products, mount the products close enough for power-linking cables to reach.

Procedure

The Maverick Force s Profile comes with two Omega brackets onto which a mounting clamp can be attached directly. Mounting clamps are sold separately. Make sure the clamps are capable of supporting the weight of this product. Use at least two mounting points per product. For the Chauvet Professional line of mounting clamps, go to <http://www.trusst.com/products>.

Mounting Diagram









4. Operation

Touchscreen Control Panel

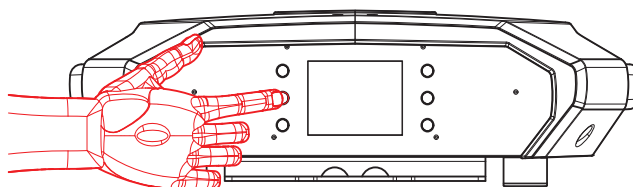
The Maverick Force s Profile has a touchscreen display and six control buttons. Navigate the menu structure by pressing the buttons, touching the images of the buttons on the sides of the display, or touching the desired menu option on the display directly. The touchscreen can be locked and calibrated through the Setup options in the menu (see [Touchscreen Calibration](#) and [Touchscreen Lock](#)).

Control Panel Description

| Button | Function |
|---|--|
|  | Navigates upwards through the menu list or increases the numeric value when in a function |
|  | Exits from the current menu or function |
|  | Navigates downwards through the menu list or decreases the numeric value when in a function |
|  | Navigates leftwards through the menu list |
|  | Enables the currently displayed menu or sets the currently selected value into the selected function |
|  | Navigates rightwards through the menu list |

Battery-Powered Display

The Maverick Force s Profile has a battery-powered display that enables access to the menu when the product is powered off. Press and hold **<MENU>** until the display activates (approximately 15 seconds).



Home Screen

The Maverick Force s Profile has a home screen that shows the current control protocols, personalities, starting addresses, IP addresses, and universes. To see the home screen, press **<MENU>** repeatedly until it shows on the display. From the home screen, touch any of the displayed control settings to immediately jump to that part of the menu, such as the personality, starting address, or universe, or press **<ENTER>** to reach the main menu.

Control Panel Lock

The setting locks or unlocks the control panel.

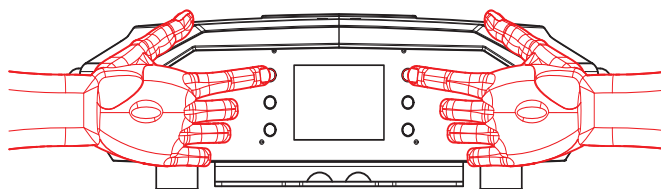
1. Go to the **Settings** main level.
2. Select the **Lock Screen** option.
3. Select **NO** (control panel stays unlocked) or **YES** (locks control panel).



When the control panel lock is activated, the product will prompt for the passcode in order to access the menu. Enter the passcode: 0920

Technician Mode

The technician mode disables the pan and tilt motors, allowing the output of the product to be aimed by hand. To enable the technician mode of the Maverick Force s Profile, hold **<UP>** and **<LEFT>** while the product is powering on. When the product is turned off and back on, the pan and tilt will return to normal function.



Menu Map

Refer to the Maverick Force s Profile product page on www.chauvetprofessional.com for the latest menu map.

| Main Level | Programming Levels | | Description |
|-------------------------|--------------------------|---|---|
| Address | 001–480 | | Sets the starting address |
| Network Setup | IP Mode | Manual | Manually set IP address |
| | | DHCP | Network sets IP address |
| | | Static | Product sets IP address |
| | Universe | 000–255 (Art-Net™) 001–256 (sACN) | Sets the universe |
| | Ip | 002. _ _ _ . _ _ _ . _ _ _ . _ _ _ | Sets the IP address in Manual mode |
| | SubMask | _ _ _ . _ _ _ . _ _ _ . _ _ _ | Sets the Subnet Mask in Manual mode |
| Personality | Dmx Mode 31 CH | YES | Selects the 31-channel mode |
| | | NO | |
| | Dmx Mode 47 CH | YES | Selects the 47-channel mode |
| | | NO | |
| Settings | Control Mode | DMX WDMX ArtNet sACN | Sets the control protocol |
| | Pan Reverse | NO | Normal pan |
| | | YES | Reversed pan |
| | Tilt Reverse | NO | Normal tilt |
| | | YES | Reversed tilt |
| | Screen Reverse | NO | Normal display |
| | | YES | Inverted display |
| | | AUTO | Automatic display orientation |
| | Pan Angle | 540 | 540° pan range |
| | | 360 | 360° pan range |
| | | 180 | 180° pan range |
| | Tilt Angle | 270 | 270° tilt range |
| | | 180 | 180° tilt range |
| | | 90 | 90° tilt range |
| | BL. O. P/T Move | NO | Do not black out while panning/tilting |
| | | YES | Blackout while panning/tilting |
| | BL. O. Color Move | NO | Do not black out while color wheel moving |
| | | YES | Blackout while color wheel moving |
| | BL. O. Gobo Move | NO | Do not black out while gobo wheels moving |
| | | YES | Blackout while gobo wheels moving |
| Calibration | NO | Calibration disabled | |
| | YES | Calibration enabled | |
| Touchscreen Lock | NO | Touchscreen enabled | |
| | YES | Touchscreen disabled | |
| Lock Screen | NO | Lock the buttons and touch screen. Passcode: 0920 | |
| | YES | | |
| Swap XY | NO | Do not swap pan and tilt | |
| | YES | Pan controls tilt, tilt controls pan | |

| Main Level | Programming Levels | | Description |
|---------------------|---|---|---|
| Settings (cont.) | Backlight Timer | 30S | Display turns off after 30 seconds |
| | | 1M | Display turns off after 1 minute |
| | | 5M | Display turns off after 5 minutes |
| | | ON | Display stays on |
| | Loss of Data | Hold | Holds last signal received |
| | | Close | Blacks out fixture |
| | Fans | Auto | Fan speed according to product temperature |
| | | Full | Fan speed set on high |
| | | ECO | Quiet mode |
| | | TV25 | Maintains LED output up to an ambient temperature of 77 °F (25 °C) (TV25) or 95 °F (35 °C) (TV35). |
| | | TV35 | When using these fan modes, please set the PWM Options to 6000Hz or 15000Hz to prevent any possible harmonization noise. |
| | Dimmer Curve | Linear Square I Squa SCurve Linear2 | Set the dimmer curve |
| | PWM Option | 600Hz 1200Hz 4000Hz 6000Hz 15000Hz | Sets the Pulse Width Modulation frequency |
| | LED Power | 64–255 | Sets the maximum LED output |
| | Min. Zoom Focus | NO | Enables/disables minimum zoom focus |
| | | YES | |
| | Preset Select | PRESET A PRESET B PRESET C | Recorded preset menu options |
| | Preset Sync | NO | Allows recorded preset menu options to be transferred to other Maverick Force s Profile fixtures in the DMX daisy chain |
| | | YES | |
| | USB Update | NO | Enables/disables software update using USB |
| YES | | | |
| Reset Function | Pan/Tilt Iris/Prism Color/CMY/Blade Gobo/Gobo Rotate Frost All | NO/YES | Reset individual functions or all functions from start-up |
| Factory Settings | NO | Reset to factory default settings | |
| | YES | | |

| Main Level | Programming Levels | | Description |
|-------------|--------------------|--|--|
| | Auto Test | | Auto test all functions |
| Test | Manual Test | Auto Test Pan Pan Fine Tilt Tilt Fine P/T Speed Dimmer Dimmer Fine Shutter Virtual Shaking Cyan Magenta Yellow Color Gobo Gobo Rotate Gobo Index Gobo2 Blade 1-1 Blade 1-1 Fine Blade 1-2 Blade 1-2 Fine Blade 2-1 Blade 2-1 Fine Blade 2-2 Blade 2-2 Fine Blade 3-1 Blade 3-1 Fine Blade 3-2 Blade 3-2 Fine Blade 4-1 Blade 4-1 Fine Blade 4-2 Blade 4-2 Fine Blade Rotate Blade Rotate Fine Focus Focus Fine Focus Auto Zoom Zoom Fine Prism Prism Rotate Iris Frost CMY Macro CMY Macro Speed Special Function | 000-255 Manually control and test all settings through the control panel |

| Main Level | Programming Levels | | Description | |
|-----------------|---------------------|-----------------|-------------|---|
| Information | Fixture Information | Ver | V_ | Shows firmware version |
| | | Running Mode | --- | Shows current running mode |
| | | DMX Address | --- | Shows current starting address |
| | | Temperature | --- | Shows current product temperature in °C |
| | | Fixture Hours | ----- | Shows number of hours product has been powered on |
| | | Ip | ----- | Shows current IP address |
| | | SubMask | ----- | Shows current Subnet Mask |
| | | MAC | ----- | Shows current MAC address |
| | Fan Information | Head Fan1 Speed | ---- | Shows speed of head fans in rpm |
| | | Head Fan2 Speed | ---- | |
| | | Base Fan1 Speed | ---- | |
| | | Base Fan2 Speed | ---- | |
| | Error Information | | ----- | Shows any errors, or No Error! |
| | Channel Information | Pan | 000-255 | Shows all current values from input signals |
| | | Pan Fine | | |
| Tilt | | | | |
| Tilt Fine | | | | |
| P/T Speed | | | | |
| Dimmer | | | | |
| Dimmer Fine | | | | |
| Shutter | | | | |
| Virtual Shaking | | | | |
| Cyan | | | | |
| Magenta | | | | |
| Yellow | | | | |
| Color | | | | |
| Gobo | | | | |
| Gobo Rotate | | | | |
| Gobo Index | | | | |
| Gobo2 | | | | |

| Main Level | Programming Levels | | Description |
|---------------------------------------|---|---|---|
| <p>Information (cont.)</p> | <p>Channel Information (cont.)</p> | <p>Blade 1-1 Blade 1-1 Fine Blade 1-2 Blade 1-2 Fine Blade 2-1 Blade 2-1 Fine Blade 2-2 Blade 2-2 Fine Blade 3-1 Blade 3-1 Fine Blade 3-2 Blade 3-2 Fine Blade 4-1 Blade 4-1 Fine Blade 4-2 Blade 4-2 Fine Blade Rotate Blade Rotate Fine Focus Focus Fine Focus Auto Zoom Zoom Fine Prism Prism Rotate Iris Frost CMY Macro CMY Macro Speed Special Function</p> | <p>000–255 Shows all current values from input signals</p> |

DMX Values

| 31CH | 47CH | Function | Value | Percent/Setting |
|-----------|-----------------------------------|--|-----------|------------------------------------|
| 1 | 1 | Pan | 000 ⇄ 255 | 0–100% |
| 2 | 2 | Pan fine | 000 ⇄ 255 | Fine control (16-bit) |
| 3 | 3 | Tilt | 000 ⇄ 255 | 0–100% |
| 4 | 4 | Fine tilt | 000 ⇄ 255 | Fine control (16-bit) |
| 5 | 5 | Pan/tilt speed | 000 ⇄ 255 | Fast to slow |
| 6 | 6 | Dimmer | 000 ⇄ 255 | 0–100% |
| – | 7 | Dimmer fine | 000 ⇄ 255 | Fine control (16-bit) |
| 7 | 8 | Strobe | 000 ⇄ 003 | Closed |
| | | | 004 ⇄ 007 | Open |
| | | | 008 ⇄ 076 | Synchronized strobe, slow to fast |
| | | | 077 ⇄ 145 | Pulse strobe, slow to fast |
| | | | 146 ⇄ 215 | Random strobe, slow to fast |
| 8 | 9 | Virtual strobe | 216 ⇄ 255 | Open |
| | | | 000 ⇄ 001 | Open |
| | | | 002 ⇄ 128 | Shaking effect, slow to fast |
| | | | 129 ⇄ 255 | Fading effect, slow to fast |
| 9 | 10 | Cyan | 000 ⇄ 255 | 0–100% |
| 10 | 11 | Magenta | 000 ⇄ 255 | 0–100% |
| 11 | 12 | Yellow | 000 ⇄ 255 | 0–100% |
| 12 | 13 | Color wheel (see Color Wheel) | 000 ⇄ 006 | Open |
| | | | 007 ⇄ 013 | Red |
| | | | 014 ⇄ 020 | Orange |
| | | | 021 ⇄ 027 | Green |
| | | | 028 ⇄ 034 | Magenta |
| | | | 035 ⇄ 041 | UV |
| | | | 042 ⇄ 048 | CRI |
| | | | 049 ⇄ 059 | CTB |
| | | | 060 ⇄ 187 | Color wheel index |
| | | | 188 ⇄ 219 | Reverse color scroll, fast to slow |
| | | | 220 ⇄ 223 | Stop |
| 224 ⇄ 255 | Color scroll, slow to fast | | | |
| 13 | 14 | Gobo wheel 1 (rotating) (see Gobo Designs) | 000 ⇄ 007 | Open |
| | | | 008 ⇄ 015 | Gobo 1 (sail boats) |
| | | | 016 ⇄ 023 | Gobo 2 (radial dot) |
| | | | 024 ⇄ 031 | Gobo 3 (bar) |
| | | | 032 ⇄ 039 | Gobo 4 (bolts) |
| | | | 040 ⇄ 047 | Gobo 5 (shower glass) |
| | | | 048 ⇄ 055 | Gobo 6 (ballistic clouds) |
| | | | 056 ⇄ 063 | Gobo 7 (four eyes) |
| | | | 064 ⇄ 071 | Gobo 7 shaking |
| | | | 072 ⇄ 079 | Gobo 6 shaking |
| | | | 080 ⇄ 087 | Gobo 5 shaking |
| | | | 088 ⇄ 095 | Gobo 4 shaking |
| | | | 096 ⇄ 103 | Gobo 3 shaking |
| | | | 104 ⇄ 111 | Gobo 2 shaking |
| | | | 112 ⇄ 119 | Gobo 1 shaking |
| | | | 120 ⇄ 127 | Open |
| | | | 128 ⇄ 191 | Gobo scroll, slow to fast |
| 192 ⇄ 255 | Reverse gobo scroll, slow to fast | | | |

Operation



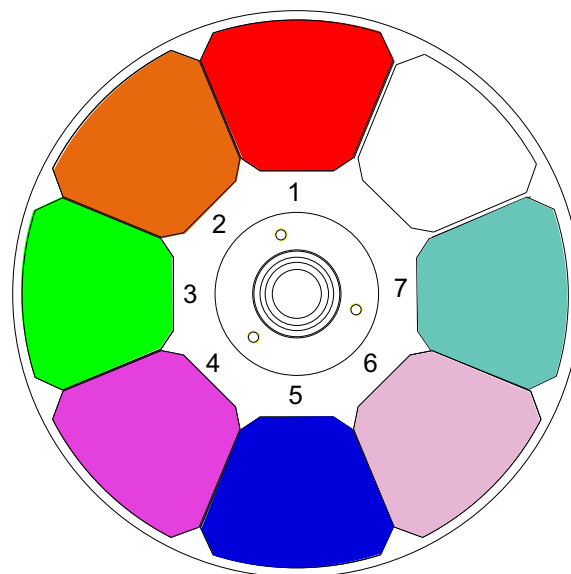
| 31CH | 47CH | Function | Value | Percent/Setting |
|-----------|-----------------------------------|--|-----------|-------------------------------------|
| 14 | 15 | Gobo 1 rotation | 000 ⇔ 063 | Rotating gobo index |
| | | | 064 ⇔ 145 | Gobo rotation, fast to slow |
| | | | 146 ⇔ 149 | Stop |
| | | | 150 ⇔ 231 | Reverse gobo rotation, slow to fast |
| | | | 232 ⇔ 255 | Bounce effect, short to long |
| - | 16 | Fine gobo 1 rotation | 000 ⇔ 255 | Fine control (16-bit) |
| 15 | 17 | Gobo wheel 2 (static) (see Gobo Designs) | 000 ⇔ 005 | Open |
| | | | 006 ⇔ 011 | Gobo 1 (beam) |
| | | | 012 ⇔ 017 | Gobo 2 (bars) |
| | | | 018 ⇔ 023 | Gobo 3 (circles) |
| | | | 024 ⇔ 029 | Gobo 4 (breakup) |
| | | | 030 ⇔ 035 | Gobo 5 (dots) |
| | | | 036 ⇔ 041 | Gobo 6 (circuits) |
| | | | 042 ⇔ 047 | Gobo 7 (triangles) |
| | | | 048 ⇔ 053 | Gobo 8 (forest) |
| | | | 054 ⇔ 063 | Gobo 9 (rainbows) |
| | | | 064 ⇔ 069 | Gobo 9 shaking |
| | | | 070 ⇔ 075 | Gobo 8 shaking |
| | | | 076 ⇔ 081 | Gobo 7 shaking |
| | | | 082 ⇔ 087 | Gobo 6 shaking |
| | | | 088 ⇔ 093 | Gobo 5 shaking |
| | | | 094 ⇔ 099 | Gobo 4 shaking |
| | | | 100 ⇔ 105 | Gobo 3 shaking |
| 106 ⇔ 111 | Gobo 2 shaking | | | |
| 112 ⇔ 117 | Gobo 1 shaking | | | |
| 118 ⇔ 127 | Open | | | |
| 128 ⇔ 191 | Gobo scroll, slow to fast | | | |
| 192 ⇔ 255 | Reverse gobo scroll, slow to fast | | | |
| 16 | 18 | Blade 1-1 | 000 ⇔ 255 | 0-100% |
| - | 19 | Blade 1-1 fine | 000 ⇔ 255 | Fine control (16-bit) |
| 17 | 20 | Blade 1-2 | 000 ⇔ 255 | 0-100% |
| - | 21 | Blade 1-2 fine | 000 ⇔ 255 | Fine control (16-bit) |
| 18 | 22 | Blade 2-1 | 000 ⇔ 255 | 0-100% |
| - | 23 | Blade 2-1 fine | 000 ⇔ 255 | Fine control (16-bit) |
| 19 | 24 | Blade 2-2 | 000 ⇔ 255 | 0-100% |
| - | 25 | Blade 2-2 fine | 000 ⇔ 255 | Fine control (16-bit) |
| 20 | 26 | Blade 3-1 | 000 ⇔ 255 | 0-100% |
| - | 27 | Blade 3-1 fine | 000 ⇔ 255 | Fine control (16-bit) |
| 21 | 28 | Blade 3-2 | 000 ⇔ 255 | 0-100% |
| - | 29 | Blade 3-2 fine | 000 ⇔ 255 | Fine control (16-bit) |
| 22 | 30 | Blade 4-1 | 000 ⇔ 255 | 0-100% |
| - | 31 | Blade 4-1 fine | 000 ⇔ 255 | Fine control (16-bit) |
| 23 | 32 | Blade 4-2 | 000 ⇔ 255 | 0-100% |
| - | 33 | Blade 4-2 fine | 000 ⇔ 255 | Fine control (16-bit) |
| 24 | 34 | Frame rotation | 000 ⇔ 255 | 0-100% |
| - | 35 | Frame fine rotation | 000 ⇔ 255 | Fine control (16-bit) |
| 25 | 36 | Focus | 000 ⇔ 255 | 0-100% |
| - | 37 | Focus fine | 000 ⇔ 255 | Fine control (16-bit) |

| 31CH | 47CH | Function | Value | Percent/Setting |
|-----------|----------------------|------------------------|-----------|---|
| - | 38 | Auto focus | 000 ⇔ 010 | No function |
| | | | 011 ⇔ 030 | 0–5 m auto focus |
| | | | 031 ⇔ 050 | 6 m auto focus |
| | | | 051 ⇔ 070 | 7 m auto focus |
| | | | 071 ⇔ 090 | 8 m auto focus |
| | | | 091 ⇔ 110 | 9 m auto focus |
| | | | 111 ⇔ 130 | 10 m auto focus |
| | | | 131 ⇔ 150 | 12.5 m auto focus |
| | | | 151 ⇔ 170 | 15 m auto focus |
| | | | 171 ⇔ 190 | 17.5 m auto focus |
| 191 ⇔ 210 | 20–60 m auto focus | | | |
| 211 ⇔ 255 | Auto-detect distance | | | |
| 26 | 39 | Zoom | 000 ⇔ 255 | 0–100% |
| - | 40 | Fine zoom | 000 ⇔ 255 | Fine control (16-bit) |
| 27 | 41 | Prism | 000 ⇔ 004 | No function |
| | | | 005 ⇔ 255 | Prism effect |
| 28 | 42 | Prism rotation | 000 ⇔ 127 | Prism index |
| | | | 128 ⇔ 189 | Prism rotation, fast to slow |
| | | | 190 ⇔ 193 | Stop |
| | | | 194 ⇔ 255 | Reverse prism rotation, slow to fast |
| 29 | 43 | Iris | 000 ⇔ 063 | 0–100% |
| | | | 064 ⇔ 127 | Auto change, slow to fast |
| | | | 128 ⇔ 191 | Slow expand, fast shrink (slow to fast) |
| | | | 192 ⇔ 255 | Slow shrink, fast expand (slow to fast) |
| 30 | 44 | Frost | 000 ⇔ 255 | 0–100% |
| - | 45 | CMY macro | 000 ⇔ 009 | No function |
| | | | 010 ⇔ 020 | Full CTO |
| | | | 015 ⇔ 255 | ½ CTO |
| | | | 021 ⇔ 255 | CMY macro |
| - | 46 | CMY macro speed | 000 ⇔ 255 | CMY macro speed, fast to slow |

Operation

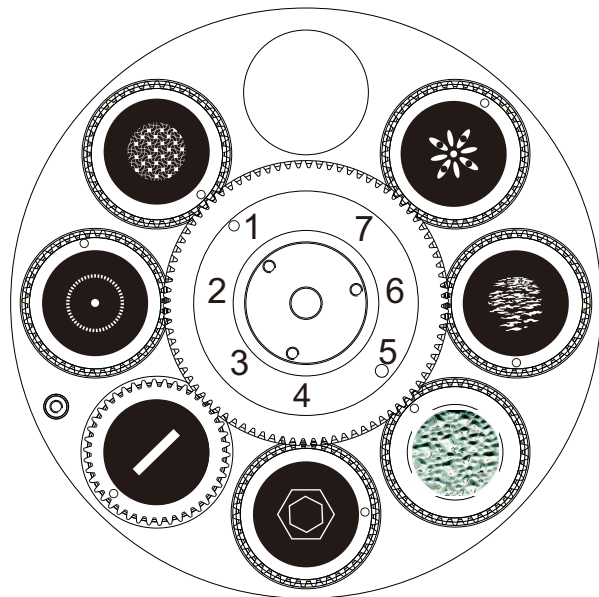
| 31CH | 47CH | Function | Value | Percent/Setting |
|-----------|-------------------|----------|-----------|---------------------------------|
| 31 | 47 | Control | 000 ⇄ 007 | No function |
| | | | 008 ⇄ 015 | Pan tilt blackout |
| | | | 016 ⇄ 023 | Color blackout |
| | | | 024 ⇄ 031 | Gobo blackout |
| | | | 032 ⇄ 039 | Pan tilt/color blackout |
| | | | 040 ⇄ 047 | Pan tilt/gobo blackout |
| | | | 048 ⇄ 055 | Pan tilt/color/gobo blackout |
| | | | 056 ⇄ 095 | No function |
| | | | 096 ⇄ 103 | Pan reset |
| | | | 104 ⇄ 111 | Tilt reset |
| | | | 112 ⇄ 119 | Color reset |
| | | | 120 ⇄ 127 | Gobo reset |
| | | | 128 ⇄ 131 | High color temperature gobo on |
| | | | 132 ⇄ 135 | High color temperature gobo off |
| | | | 136 ⇄ 143 | Prism reset |
| | | | 144 ⇄ 151 | No function |
| | | | 152 ⇄ 159 | All reset |
| | | | 160 ⇄ 167 | Iris reset |
| | | | 168 ⇄ 175 | Frost reset |
| | | | 176 ⇄ 183 | Zoom reset |
| | | | 184 ⇄ 191 | CMY reset |
| | | | 192 ⇄ 199 | Fan ECO |
| | | | 200 ⇄ 207 | Fan full |
| | | | 208 ⇄ 215 | Fan auto |
| 216 ⇄ 217 | Fan TV25 | | | |
| 218 ⇄ 220 | Fan TV35 | | | |
| 221 ⇄ 225 | Iris fast mode | | | |
| 226 ⇄ 230 | Iris smooth mode | | | |
| 231 ⇄ 235 | Pan tilt swap on | | | |
| 236 ⇄ 240 | Pan tilt swap off | | | |
| 241 ⇄ 245 | Min Zoom Focus on | | | |

Color Wheel



Gobo Designs

Gobo Wheel 1
Rotating gobo wheel

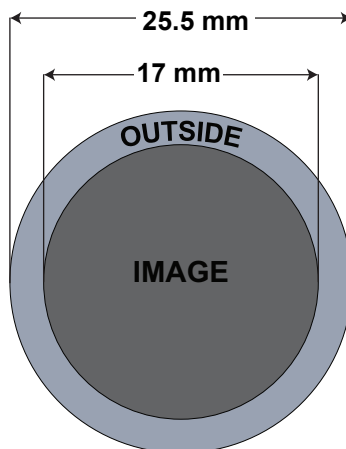


Gobo Wheel 2
Static gobo wheel



| Gobo Wheel | Gobo # | Description | Gobo Wheel | Gobo # | Description |
|------------|--------|------------------|------------|--------|-------------|
| 1 | 1 | Sail boats | 2 | 1 | Beam |
| | 2 | Radial dot | | 2 | Bars |
| | 3 | Bar | | 3 | Circles |
| | 4 | Bolts | | 4 | Breakup |
| | 5 | Shower glass | | 5 | Dots |
| | 6 | Ballistic clouds | | 6 | Circuits |
| | 7 | Four eyes | | 7 | Triangles |
| | | | | 8 | Forest |
| | | | | 9 | Rainbows |

Rotating Gobo Dimensions



Operation

Configuration (DMX, WMDX, Art-Net™, sACN)

Use control configurations to operate the product with a DMX, Art-Net™, or sACN controller.

Control Mode

The Maverick Force s Profile works with wired DMX, WDMX, Art-Net™, and sACN control signals. To select which protocol to use:

1. Go to the **Settings** main level.
2. Select the **Control Mode** option.
3. Select the desired protocol, from **DMX**, **WDMX**, **ArtNet**, or **sACN**.



See the [Network Setup](#) section for further setup of Ethernet protocols (Art-Net™ or sACN).

Control Personalities

To set the control personality:

1. Go to the **Personality** main level.
2. Select the desired personality, from **Dmx Mode 31 CH** or **Dmx Mode 47 CH**.



- See the [Starting Address](#) section for the highest starting address recommended for each personality.
- Make sure that the starting addresses on the various products do not overlap due to the new personality setting.

Starting Address

Each product will respond to a unique starting address from the controller. All products with the same starting address will respond in unison. To set the starting address:

1. Go to the **Address** main level.
2. Select the starting address (**001–482**).
 - The highest recommended starting address for **Dmx Mode 31 CH** is **482**.
 - The highest recommended starting address for **Dmx Mode 47 CH** is **466**.

Network Setup

The Network Setup settings control the IP address, subnet mask, and universe of the product.

IP Mode

To choose how the IP address is set:

1. Go to the **Network Setup** main level.
2. Select the **IP Mode** option.
3. Select the desired IP mode, from **Manual** (to set a custom IP address), **DHCP** (the IP address is assigned by the connected network), or **Static** (the product uses a default, preset IP address).

Universe

To assign an Art-Net™ or sACN universe to the Maverick Force s Profile:

1. Go to the **Network Setup** main level.
2. Select the **Universe** option.
3. Set the universe, from **000–255** (for Art-Net™) or from **001–256** (for sACN).

Manual IP Address

To set the IP address when the **IP Mode** is set to **Manual**:

1. Go to the **Network Setup** main level.
2. Select the **Ip** option.
3. Set the values of the IP address from **000–255**.

Subnet Mask

To set the subnet mask:

1. Go to the **Network Setup** main level.
2. Select the **SubMask** option.
3. Set the values of the subnet mask from **000–255**.

Configuration (Settings)

Pan Reverse

To set the orientation of the pan:

1. Go to the **Settings** main level.
2. Select the **Pan Reverse** option.
3. Select from **NO** (normal pan motion) or **YES** (reversed pan motion).

Tilt Reverse

To set the orientation of the tilt:

1. Go to the **Settings** main level.
2. Select the **Tilt Reverse** option.
3. Select from **NO** (normal tilt motion) or **YES** (reversed tilt motion).

Screen Reverse

To set the orientation of the display:

1. Go to the **Settings** main level.
2. Select the **Screen Reverse** option.
3. Select from **NO** (right-side up), **YES** (upside-down), or **AUTO** (changes depending on the orientation of the product).

Pan Angle

To set the maximum angle of the pan:

1. Go to the **Settings** main level.
2. Select the **Pan Angle** option.
3. Select from **540** (540°), **360** (360°), or **180** (180°).

Tilt Angle

To set the maximum angle of the tilt:

1. Go to the **Settings** main level.
2. Select the **Tilt Angle** option.
3. Select from **270** (270°), **180** (180°), or **90** (90°).

Blackout on Movement

To set the Maverick Force s Profile to black out on pan or tilt movement, color wheel movement, or gobo wheel movement:

1. Go to the **Settings** main level.
2. Select the **BL. O. P/T Move** (blackout on pan or tilt movement), **BL. O. Color Move** (black out on color wheel movement), or **BL. O. Gobo Move** (black out on gobo wheel movement) option.
3. Select from **NO** (no blackout on selected movement), or **YES** (black out during the selected movement).

Touchscreen Calibration

To calibrate the touchscreen:

1. Go to the **Settings** main level.
2. Select the **Calibration** option.
3. Select from **NO** (do not calibrate) or **YES** (calibrate).
4. Follow the instructions on the display.

Touchscreen Lock

To lock the touchscreen and limit the display to operation by the menu buttons:

1. Go to the **Settings** main level.
2. Select the **Touchscreen Lock** option.
3. Select from **NO** (do not lock the touchscreen) or **YES** (lock the touchscreen).

Swap Pan and Tilt

To swap the pan and tilt controls for each other:

1. Go to the **Settings** main level.
2. Select the **Swap XY** option.
3. Select from **NO** (do not swap) or **YES** (swap so pan controls tilt and tilt controls pan).

Display Backlight Timer

To set the length of time before an inactive display will turn off:

1. Go to the **Settings** main level.
2. Select the **Backlight Timer** option.
3. Select the length of the backlight timer, from **30S** (30 seconds), **1M** (1 minute), **5M** (5 minutes), or **ON** (always on).

Operation

Loss of Data

To set how the product reacts to a loss in control signal data:

1. Go to the **Settings** main level.
2. Select the **Loss of Data** option.
3. Select from **Hold** (holds the last values received before signal loss) or **Close** (blacks out the product).

Fan Mode

To set the fan speed mode:

1. Go to the **Settings** main level.
2. Select the **Fans** option.
3. Select the fan mode, from **Auto** (fan speed adjusts to product temperature), **Full** (fan speed at maximum), **ECO** (quiet mode), **TV25** (maintains LED output up to an ambient temperature of 77 °F/25 °C), or **TV35** (maintains LED output up to an ambient temperature of 95 °F/35 °C).

Dimmer Curve

To set the dimmer curve:

1. Go to the **Settings** main level.
2. Select the **Dimmer Curve** option.
3. Select the dimmer curve, from **Linear**, **Square**, **I Squa**, **SCurve**, or **Linear2**.

Pulse Width Modulation

To adjust the frequency of the pulse width modulation:

1. Go to the **Settings** main level.
2. Select the **PWM Option** option.
3. Select the frequency, from **600Hz**, **1200Hz**, **4000Hz**, **6000Hz**, or **15000Hz**.

LED Power

To set the maximum LED output:

1. Go to the **Settings** main level.
2. Select the **LED Power** option.
3. Set the power from **64–255**.

Minimum Zoom Focus

To enable or disable the minimum zoom focus function:

1. Go to the **Settings** main level.
2. Select the **Min. Zoom Focus** option.
3. Select **No** (disables minimum zoom focus) or **Yes** (enables minimum zoom focus).

Preset Selection

To select a preset configuration of menu options:

1. Go to the **Settings** main level.
2. Select the **Preset Select** option.
3. Select from **PRESET A** (default), **PRESET B**, or **PRESET C**.



- **Changes to settings automatically save to the currently selected preset option.**
- **If no preset option has been selected, changes to settings save to PRESET A.**
- **After selecting a preset option, the product will restart.**

Preset Synchronization

To transfer saved preset options from one Maverick Force s Profile to another:

1. Connect the Maverick Force s Profile products to receive the preset options by a DMX daisy chain.
2. Make the Maverick Force s Profile with the preset options to transfer be the first fixture in the DMX daisy chain.
3. Power on all of the products.
4. Set all of the products to a [Control Mode](#) (i.e., **DMX**, **ArtNet**, or **sACN**).
5. On the Maverick Force s Profile with the preset options, go to the **Settings** main level.
6. Select the **Preset Sync** option.
7. Select **NO** (to cancel) or **YES** (to transfer the preset options to the connected products).



- **All menu configurations are transferred except for the IP address.**
- **ONLY connect Maverick Force s Profile products for this function!**

USB Update

To enable or disable software update using USB:

1. Go to the **Settings** main level.
2. Select the **USB Update** option.
3. Select **NO** (disables software update through USB) or **YES** (enables software update through USB).



See the [Signal Connections](#) section for the detailed instructions on how to update the **Maverick Force s Profile** software using the USB flash drive.

Reset Function

To reset specific functions or the entire product:

1. Go to the **Settings** main level.
2. Select the **Reset Function** option.
3. Select the functions to reset, from **Pan/Tilt, Iris/Prism, Color/CMY, Gobo/Gobo Rotate, Frost, or All**.
4. Select **NO** (to cancel) or **YES** (to reset the selected functions).

Factory Reset

To reset the product to factory default settings:

1. Go to the **Settings** main level.
2. Select the **Factory Reset** option.
3. Select **NO** (to cancel) or **YES** (to reset the product configuration to default factory settings).

Test Mode

Auto Test

To have the Maverick Force s Profile automatically test all functions one after the other:

1. Go to the **Test** main level.
2. Select the **Auto Test** option.

Manual Test

To manually test an individual function of the Maverick Force s Profile:

1. Go to the **Test** main level.
2. Select the **Manual Test** option.
3. Select a function to test. (Available functions are: **Pan, Pan Fine, Tilt, Tilt Fine, P/T Speed, Dimmer, Dimmer Fine, Shutter, Virtual Shaking, Cyan, Magenta, Yellow, Color, Gobo, Gobo Rotate, Gobo Index, Gobo2, Blade, Blade Rotate, Blade Rotate Fine, Focus, Focus Fine, Focus Auto, Zoom, Zoom Fine, Prism, Prism Rotate, Iris, Frost, CMY Macro, CMY Macro Speed, and Special Function**).
4. Increase or decrease the value of the selected function from **000–255** to test it.

System Information

The information section of the menu displays statistics and the current status of the product's various functions. To view these information sections:

1. Go to the **Information** main level.
2. Select which information to view, from **Fixture Information** (shows the firmware version, running mode, DMX address, temperature, running time, IP address, Subnet Mask, and MAC address), **Fan Information** (shows the speed of the head and base fans in rotations per minute (rpm)), **Error Information** (shows any error the product has), or **Channel Information** (shows the current values of all signal input channels).
3. If necessary, scroll up and down to view all information available in the selected option.

Offset Mode (Zero Adjust)

The Offset mode provides fine adjustments for the home position of every moving part in the optical path and pan and tilt movements. To adjust these options and to prevent the borders from showing or the reduction of the light output:

1. From the main level screen, press and hold **<MENU>** until the passcode screen appears.
2. Enter the passcode: **0920** and press **<ENTER>**.
3. Select the “zero” position to adjust, from **PAN, TILT, COLOR, GOBO, GOBO ROTATE, GOBO2, FOCUS-GOBO, FOCUS-GOBO2, ZOOM, PRISM, IRIS, FROST, CYAN, MAGENTA, YELLOW, DIMMER, MAC4, MAC5, MAC6, RDM4, RDM5, or RDM6**.
4. Adjust the “zero” position for the selected function from **000–255**.

Web Server

The Maverick Force s Profile Web Server can be accessed by any computer on the same network as the product. It allows network access to system information and settings, such as control setup, manual testing of all functions, firmware updates, and the ability to change the Web Server password.

1. Connect the product to power.
2. Set the [Control Mode](#) to **ArtNet** and the [IP Mode](#) to **Static**.
3. Connect the product to a Windows computer with a network cable.
4. On the computer, set the first value of the IP address of the new network to match the first value of the IP address of the product. The IP address of the product is displayed on the [Home Screen](#).
5. Enter the IP address of the product into the URL bar of a web browser on the computer.
6. Enter both the user name and password as **admin** to log in.

Information

The Information page on the Web Server displays the current settings and the system information of the Maverick Force s Profile.

Setup

The Setup page on the Web Server provides options for control, similar to the **Setup** menu on the product. Click **Save Settings** to send the new configuration to the product.

Manual Test

The Manual Test page on the Web Server allows all output functions of the product to be controlled through the browser. To set all functions back to default, click **Reset**.

Firmware Update

The Upgrade page on the Web Server allows the product to be updated with the latest firmware. Go to <https://www.chauvetprofessional.com> to download firmware updates.

Security

The Security page on the Web Server gives the option to change the password to the connected product's web server. Enter the old password (**admin**, by default) and the new password twice, then click **Save Settings** to change the password.

Gobo Replacement

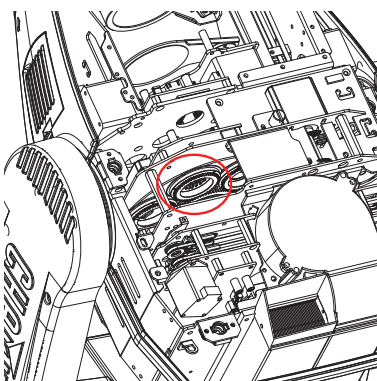
The gobos in gobo wheel 1 are removable from their gobo holders. This operation is quite simple, although it requires the technician to carefully follow the recommended procedure.

- **Make sure to disconnect the product's power cord before replacing a gobo.**
- **Always replace a gobo with a gobo of the same dimensions.**
- **When inserting a glass gobo, always make sure that the shiny side of the gobo (glass base) faces the lamp. This provides a layer of protection against the high temperature from the lamp.**

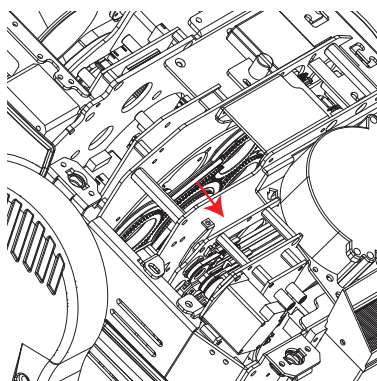
Procedure

1. Turn the product off and disconnect it from the power outlet.
2. Open the head cover by loosening the screws on the top cover.
3. Separate the gobo holder away from the gobo wheel by pushing it toward the front of the moving head. Be careful not to push the gobo out of the gobo holder.
4. Extract the gobo holder by pulling it outward.
5. On a flat surface, remove the expansion ring that holds the gobo in place and remove the gobo from the gobo holder.
6. Insert a new gobo and hold it in place with the expansion ring.
7. Slide the tip of the gobo holder under the pressure plate near the center of the gobo wheel.
8. Push the gobo holder inwards. **DO NOT** force the gobo holder into the gobo wheel slot. If correctly installed, the gobo holder should easily slide into the gobo wheel slot.

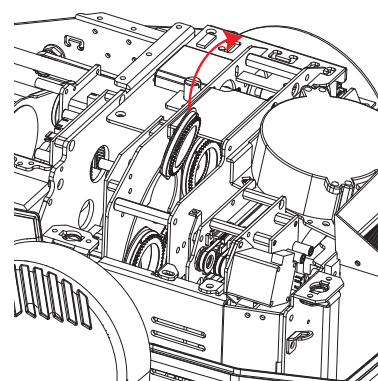
Diagram



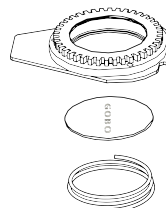
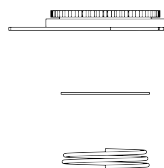
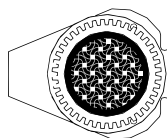
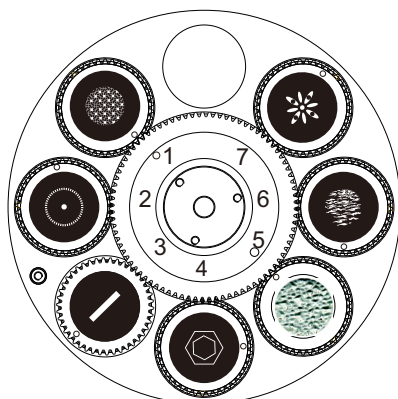
Locate



Pull back



Remove



Gobo holder

Gobo

Retaining ring

5. Maintenance

Product Maintenance

Dust build-up reduces light output performance and can cause overheating. This can lead to reduction of the light source's life and/or mechanical wear. To maintain optimum performance and minimize wear, clean the lighting products at least twice a month. However, be aware that usage and environmental conditions could be contributing factors to increase the cleaning frequency.

To clean the product, follow the instructions below:

1. Unplug the product from power.
2. Wait until the product is at room temperature.
3. Use a vacuum (or dry compressed air) and a soft brush to remove dust collected on the external surface/vents.
4. Clean all transparent surfaces with a mild soap solution, ammonia-free glass cleaner, or isopropyl alcohol.
5. Apply the solution directly to a soft, lint free cotton cloth or a lens cleaning tissue.
6. Softly drag any dirt or grime to the outside of the transparent surface.
7. Gently polish the transparent surfaces until they are free of haze and lint.



Always dry the transparent surfaces carefully after cleaning them.



Do not spin the cooling fans with compressed air. Damage may result.

6. Technical Specifications

Dimensions and Weight

| Length | Width | Height | Weight |
|------------------|-----------------|------------------|-----------------|
| 14.2 in (360 mm) | 9.2 in (234 mm) | 25.1 in (636 mm) | 52.9 lb (24 kg) |

Note: Dimensions in inches are rounded.

Power

| Power Supply Type | Range | Voltage Selection |
|----------------------|--------------------------|-------------------|
| Switching (internal) | 100 to 240 VAC, 50/60 Hz | Auto-ranging |

| Parameter | 100 V, 60 Hz | 120 V, 60 Hz | 208 V, 60 Hz | 230 V, 50 Hz | 240 V, 50 Hz |
|-------------------|------------------------|------------------------|------------------------|------------------------|------------------------|
| Consumption | 580 W | 563 W | 547 W | 546 W | 543 W |
| Operating current | 5.82 A | 4.75 A | 2.69 A | 2.44 A | 2.33 A |
| Fuse/breaker | F 10 A, 250 V | F 10 A, 250 V | F 10 A, 250 V | F 10 A, 250 V | F 10 A, 250 V |
| Power linking | 13.6 A (2 products) | 13.6 A (2 products) | 13.6 A (4 products) | 13.6 A (4 products) | 13.6 A (5 products) |

| Power I/O | U.S./Worldwide | UK/Europe |
|-----------------------|-------------------------|-------------------------|
| Power input connector | Seetronic Powerkon IP65 | Seetronic Powerkon IP65 |
| Power cord plug | Edison (U.S.) | Local plug |

Light Source

| Type | Color | Quantity | Power | Current | Lifespan |
|------|------------|----------|-------|---------|--------------|
| LED | Cool white | 1 | 350 W | 2.7 A | 50,000 hours |

Photometrics

| Beam Angle | Field Angle | Cutoff Angle | Zoom Angle |
|---------------|---------------|---------------|---------------|
| 4.5° to 35.9° | 5.2° to 40.5° | 5.8° to 41.6° | 4.5° to 41.6° |

| Illuminance @ 5 m (4.5°) | Illuminance @ 5 m (41.6°) | Color Temperature |
|--------------------------|---------------------------|-------------------|
| 56,806 lux | 1,840 lux | 7025K |

Thermal

| Operating Temperature | Cooling System |
|------------------------------------|-------------------------|
| -22 °F to 113 °F (-30 °C to 45 °C) | Fan-assisted convection |

DMX

| I/O Connector | Channel Range |
|-----------------|---------------|
| 3 and 5-pin XLR | 31 or 47 |

Art-Net™/sACN

| I/O Connector | Channel Range |
|------------------------------|---------------|
| Amphenol XLR Net RJ45 in/out | 31 or 47 |

Ordering

| Product Name | Item Name | Item Code | UPC Number |
|--------------------------|-----------------------|-----------|--------------|
| Maverick Force s Profile | MAVERICKFORCESPROFILE | 08011814 | 781462221621 |



UL 1573
CSA C22.2 No. 166
E113093



RoHS



Contact Us

| General Information | Technical Support |
|---|--|
| Chauvet World Headquarters | |
| Address: 3360 Davie Rd. Davie, FL 33314 Voice: (954) 577-4455 Fax: (954) 929-5560 Toll Free: (800) 762-1084 | Voice: (844) 393-7575 Fax: (954) 756-8015 Email: chauvetcs@chauvetlighting.com Website: www.chauvetprofessional.com |
| Chauvet Europe Ltd | |
| Address: Pod 1 EVO Park Little Oak Drive, Sherwood Park Nottinghamshire, NG15 0EB UK Voice: +44 (0) 1773 511115 Fax: +44 (0) 1773 511110 | Email: UKtech@chauvetlighting.eu Website: www.chauvetprofessional.eu |
| Chauvet Europe BVBA | |
| Address: Stokstraat 18 9770 Kruishoutem Belgium Voice: +32 9 388 93 97 | Email: BNLtech@chauvetlighting.eu Website: www.chauvetprofessional.eu |
| Chauvet France | |
| Address: 3, Rue Ampère 91380 Chilly-Mazarin France Voice: +33 1 78 85 33 59 | Email: FRtech@chauvetlighting.fr Website: www.chauvetprofessional.eu |
| Chauvet Germany | |
| Address: Bruno-Bürgel-Str. 11 28759 Bremen Germany Voice: +49 421 62 60 20 | Email: DEtech@chauvetlighting.de Website: www.chauvetprofessional.eu |
| Chauvet Mexico | |
| Address: Av. de las Partidas 34 - 3B (Entrance by Calle 2) Zona Industrial Lerma Lerma, Edo. de México, CP 52000 Voice: +52 (728) 690-2010 | Email: servicio@chauvet.com.mx Website: www.chauvetprofessional.mx |

Warranty & Returns

For warranty terms and conditions and return information, please visit our website.

For customers in the United States and Mexico: www.chauvetlighting.com/warranty-registration.

For customers in the United Kingdom, Republic of Ireland, Belgium, the Netherlands, Luxembourg, France, and Germany: www.chauvetlighting.eu/warranty-registration.