

MAVERICK FORCE

S SPOT User Manual



Model ID: MAVERICKFORCESSPOT

CHAUVET
PROFESSIONAL

Edition Notes

The Maverick Force s Spot User Manual includes a description, safety precautions, installation, programming, operation, and maintenance instructions for the Maverick Force s Spot as of the release date of this edition.

Trademarks

Chauvet, Chauvet Professional, the Chauvet logo, and Maverick are registered trademarks or trademarks of Chauvet & Sons, LLC (d/b/a Chauvet and Chauvet Lighting) in the United States and other countries. Other company and product names and logos referred to herein may be trademarks of their respective companies.

Copyright Notice

The works of authorship contained in this manual, including, but not limited to, all designs, text, and images are owned by Chauvet.

© Copyright 2024 Chauvet & Sons, LLC. All rights reserved.

Electronically published by Chauvet in the United States of America.

Manual Use

Chauvet authorizes its customers to download and print this manual for professional information purposes only. Chauvet expressly prohibits the usage, copy, storage, distribution, modification, or printing of this manual or its content for any other purpose without written consent from Chauvet.

Document Printing

For best results, print this document in color, on letter size paper (8.5 x 11 in), double-sided. If using A4 paper (210 x 297 mm), configure the printer to scale the content accordingly.

Intended Audience

Any person installing, operating, and/or maintaining this product should completely read through the guide that shipped with the product, as well as this manual, before installing, operating, or maintaining this product.

Disclaimer

Chauvet believes that the information contained in this manual is accurate in all respects. However, Chauvet assumes no responsibility and specifically disclaims any and all liability to any party for any loss, damage or disruption caused by any errors or omissions in this document, whether such errors or omissions result from negligence, accident, or any other cause. Chauvet reserves the right to revise the content of this document without any obligation to notify any person or company of such revision; however, Chauvet has no obligation to make, and does not commit to make, any such revisions.

Document Revision

Go to www.chauvetprofessional.com for the latest version.

Revision	Date	Description
7	08/2024	Updated DMX chart; added acoustic information; added gobo maintenance section

TABLE OF CONTENTS

- 1. Before You Begin** 1
 - What Is Included 1
 - Claims 1
 - Text Conventions 1
 - Symbols 1
 - Safety Notes..... 2
 - FCC Statement of Compliance 3
 - RF Exposure Warning for North America and Australia..... 3
 - Expected LED Lifespan..... 3
- 2. Introduction**..... 4
 - Description 4
 - Features 4
 - Product Overview 5
 - Product Dimensions 6
- 3. Setup**..... 7
 - AC Power 7
 - Power Linking..... 7
 - AC Plug 7
 - Fuse Replacement..... 7
 - Signal Connections 8
 - Control Personalities 8
 - Remote Device Management..... 8
 - DMX Linking..... 8
 - Art-Net™ Connection 8
 - sACN Connection..... 8
 - Connection Diagram 9
 - USB Software Update 10
 - Mounting 11
 - Orientation..... 11
 - Rigging 11
 - Procedure..... 11
 - Color Wheel 12
 - Gobo Designs 13
 - Rotating Gobo Dimensions 13
 - Gobo Replacement 14
 - Procedure..... 14
 - Diagram..... 14
- 4. Operation**..... 15
 - Touchscreen Control Panel..... 15
 - Control Panel Description 15
 - Battery-Powered Display..... 15
 - Home Screen 15
 - Control Panel Lock..... 15
 - Technician Mode..... 15
 - Menu Map 16
 - DMX Values 20
 - Controlled Configuration 23
 - Control Mode..... 23
 - Control Personalities 23
 - Starting Address..... 23
 - Network Setup..... 23
 - IP Mode..... 23
 - Universe..... 23
 - Manual IP Address..... 23
 - Subnet Mask 23

Settings Configuration	24
Pan Reverse	24
Tilt Reverse	24
Screen Reverse	24
Pan Angle.....	24
Tilt Angle	24
Blackout on Movement.....	24
Touchscreen Calibration	24
Touchscreen Lock.....	24
Swap Pan and Tilt.....	24
WDMX Reset	25
Display Backlight Timer.....	25
Loss of Data	25
Fan Mode	25
Dimmer Curve	25
Pulse Width Modulation	25
LED Power.....	25
Minimum Zoom Focus.....	25
Preset Selection	25
Preset Synchronization	26
USB Update	26
Reset Function	26
Factory Reset.....	26
Test Mode	26
Auto Test.....	26
Manual Test	26
System Information	27
Zero Adjust Mode.....	27
Web Server	27
5. Maintenance.....	28
Product Maintenance	28
Gobo Maintenance.....	28
Transporting on Truss or Racks.....	29
6. Technical Specifications.....	30
Contact Us.....	31
Warranty & Returns.....	31

1. Before You Begin

What Is Included

- Maverick Force s Spot
- Seetronic Powerkon IP65 power cable
- 2 Omega brackets with mounting hardware
- Quick Reference Guide

Claims

Carefully unpack the product immediately and check the container to make sure all the parts are in the package and are in good condition.




If the box or the contents (the product and included accessories) appear damaged from shipping, or show signs of mishandling, notify the carrier immediately, not Chauvet. Failure to report damage to the carrier immediately may invalidate the claim. In addition, keep the box and contents for inspection.

For other issues, such as missing components or parts, damage not related to shipping, or concealed damage, file a claim with Chauvet within 7 days of delivery.

Text Conventions

Convention	Meaning
1–512	A range of values
50/60	A set of values of which only one can be chosen
Settings	A menu option not to be modified
<ENTER>	A key to be pressed on the product's control panel

Symbols

Symbol	Meaning
	Critical installation, configuration, or operation information. Not following these instructions may make the product not work, cause damage to the product, or cause harm to the operator.
	Important installation or configuration information. The product may not function correctly if this information is not used.
	Useful information.



Any reference to data or power connections in this manual assumes the use of Seetronic IP-rated cables.

The term “DMX” used throughout this manual refers to the USITT DMX512-A digital data transmission protocol.



Connection of the control signal: DMX line

- The product has XLR sockets for DMX input and output.
- **Notice:** This control circuit is isolated and belongs to the Class 2 data port.

The control circuit has a cumulative leakage current of less than 3.5 mA.

Safety Notes

Read all the following safety notes before working with this product. These notes contain important information about the installation, usage, and maintenance of this product.



This product contains no user-serviceable parts. Any reference to servicing in this User Manual will only apply to properly trained, certified technicians. Do not open the housing or attempt any repairs.



All applicable local codes and regulations apply to proper installation of this product.

- The luminaire is intended for professional use only.
- The luminaire should be positioned so that prolonged staring into the luminaire at a distance closer than 10 ft (3 m) is not expected.
- If the external flexible cable or cord of this luminaire is damaged, it shall be replaced by a special cord or cord exclusively available from the manufacturer or its service agent.
- The light source contained in this luminaire shall only be replaced by the manufacturer or its service agent or a similar qualified person.
- **CAUTION:**
 - This product's housing may be hot when operating. Mount this product in a location with adequate ventilation, at least 20 in (50 cm) from adjacent surfaces.
 - When transferring the product from extreme temperature environments, (e.g., cold truck to warm humid ballroom) condensation may form on the internal electronics of the product. To avoid causing a failure, allow the product to fully acclimate to the surrounding environment before connecting it to power.
 - Flashing light is known to trigger epileptic seizures. User must comply with local laws regarding notification of strobe use.
- **ALWAYS:**
 - Disconnect from power before cleaning the product or replacing the fuse.
 - Replace the fuse with the same type and rating.
 - Use a safety cable when mounting this product overhead.
 - Connect this product to a grounded and protected circuit.
- **DO NOT:**
 - Open this product. It contains no user-serviceable parts.
 - Look at the light source when the product is on.
 - Leave any flammable material within 1.64 ft (50 cm) of this product while operating or connected to power.
 - Connect this product to a dimmer or rheostat.
 - Operate this product if the housing, lenses, or cables appear damaged.
 - Operate this product outdoors or in any location where dust, excessive heat, water, or humidity may affect it (adhere to standards for the published IP rating).
- **ONLY** use the hanging/mounting bracket to carry this product.
- The maximum ambient temperature is 113 °F (45 °C). Do not operate this product at higher temperatures.
- The minimum startup temperature is -14°F (-10°C). Do not start the product at lower temperatures.
- To eliminate unnecessary wear and improve its lifespan, during periods of non-use completely disconnect the product from power via breaker or by unplugging it.
- In the event of a serious operating problem, stop using immediately.



If a Chauvet product requires service, contact Chauvet Technical Support.

Before You Begin

FCC Statement of Compliance

This device complies with Part 15 Part B of the FCC rules. Operation is subject to the following two conditions:

1. This device may not cause harmful interference, and
2. This device must accept any interference received, including interference that may cause undesired operation.

This equipment has been tested and found to comply with the limits for a Class B digital device, pursuant to Part 15 of the FCC Rules. These limits are designed to provide reasonable protection against harmful interference in a residential installation. This equipment generates uses and can radiate radio frequency energy and, if not installed and used in accordance with the instructions, may cause harmful interference to radio communications. However, there is no guarantee that interference will not occur in a particular installation. If this equipment does cause harmful interference to radio or television reception, which can be determined by turning the equipment off and on, the user is encouraged to try to correct the interference by one or more of the following measures:

- Reorient or relocate the receiving antenna.
- Increase the separation between the equipment and receiver.
- Connect the equipment into an outlet on a circuit different from that to which the receiver is connected.
- Consult the dealer or an experienced radio/TV technician for help.

Any changes or modifications not expressly approved by the party responsible for compliance could void the user's authority to operate the equipment.

RF Exposure Warning for North America and Australia

Warning! This equipment complies with FCC radiation exposure limits set forth for an uncontrolled environment. This equipment should be installed and operated with a minimum distance of 20 cm between the radiator and the user. This transmitter must not be co-located or operating in conjunction with any other antenna or transmitter.

Expected LED Lifespan

Over time, use and heat will gradually reduce LED brightness. Clustered LEDs produce more heat than single LEDs, contributing to shorter lifespans if always used at full intensity. The average LED lifespan is 40,000 to 50,000 hours. To extend LED lifespan, maintain proper ventilation around the product, and limit the overall intensity.

2. Introduction

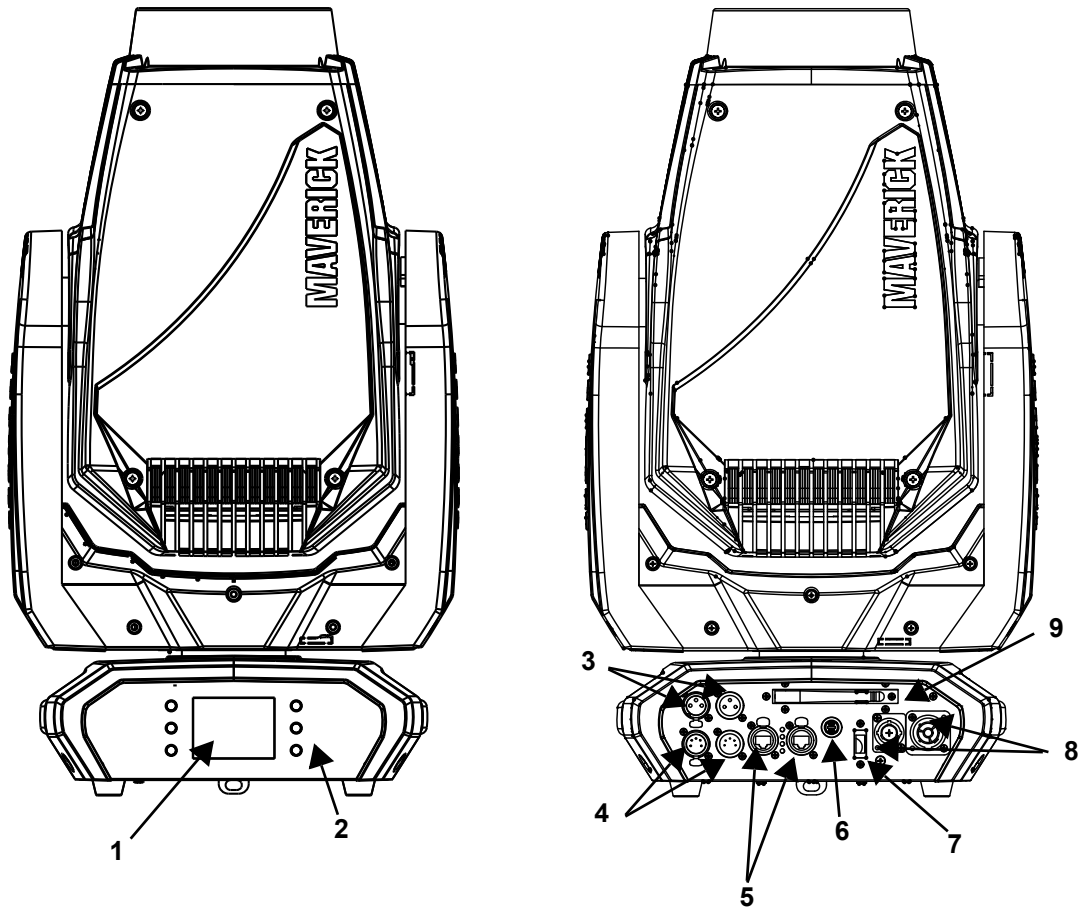
Description

Maverick Force s Spot is ideal for small to medium multi-faceted projects in need of seamless color-mixing, advanced optics, and control options in a lightweight frame that weighs less than 50 lb. The compact unit features a smart optical system that maximizes the output of 14,000 lumens and provides high-quality color-mixing with a CTB filter. An 8-slot color wheel is also added with split-color combinations in mind. Maverick Force s Spot features a speedy effects engine that includes motorized iris, frost, focus, a 5-facet prism, and wide zoom ranging from 4° to 43°. Additionally, custom gobos created in collaboration with leading designers can be stacked on top of one another for dynamic effects. That is a lot packed in a small frame standing just over 2 ft tall. Control with DMX, sACN, Art-Net, or W-DMX.

Features

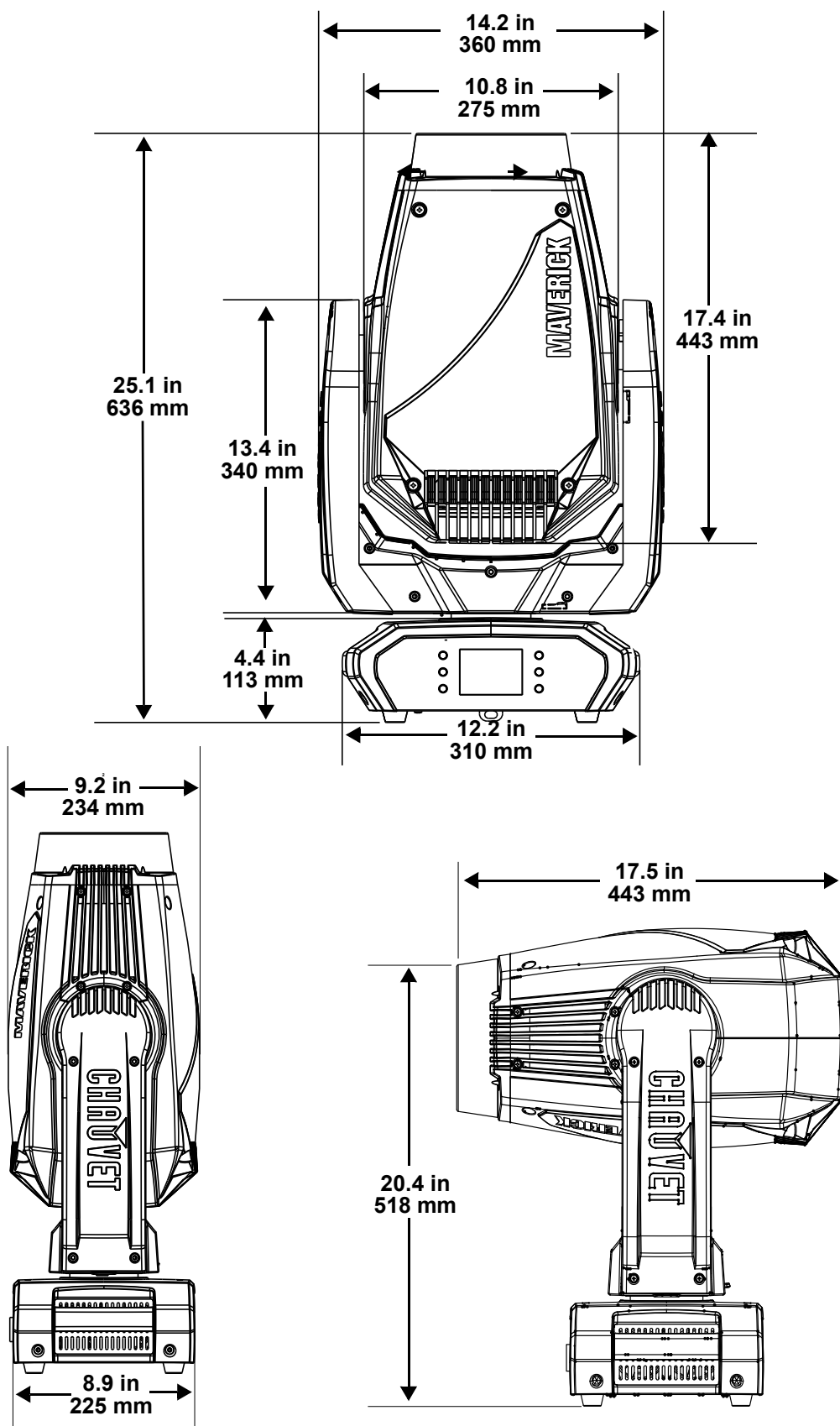
- Fully featured, compact, and lightweight 350 W LED yoke spot fixture including CMY color mixing, a color wheel, zoom optics, and two gobo wheels—one rotating and one static
- 16-bit dimming of master dimmer for smooth control of fades
- Variable CMY color mixing system to create a wide pallet of colors
- DMX, W-DMX, sACN, and Art-Net for full flexibility of control options
- RDM enabled for remote addressing and troubleshooting
- 4.1° to 43.1° zoom range for variable beam sizes
- Iris, 5-facet prism, and frost for beam control
- TRUE-1-compatible power input
- Three setup menu presets and preset sync for cross loading to multiple like fixtures for easy shop setup
- USB slot for software uploads
- Battery backup display with auto-rotate depending on fixture orientation
- Failsafe Ethernet connectivity allows for data to pass even if fixture power is lost

Product Overview



#	Name	#	Name
1	LCD display	6	Fuse holder
2	Menu buttons	7	Power switch
3	3-pin DMX in/out	8	Power in/out
4	5-pin DMX in/out	9	WDMX antenna
5	Ethernet ports		

Product Dimensions



Setup

3. Setup

AC Power

The Maverick Force s Spot has an auto-ranging power supply, and it can work with an input voltage range of 100 to 240 V~, 50/60 Hz.

To determine the product's power requirements (e.g., circuit breaker, power outlet, and wiring), use the current value listed on the label affixed to the product's back panel or refer to the product's specifications chart. The listed current rating indicates the product's average current draw under normal conditions.



- **Always connect the product to a protected circuit (a circuit breaker or fuse). Make sure the product has an appropriate electrical ground to avoid the risk of electrocution or fire.**
- **To eliminate unnecessary wear and improve its lifespan, during periods of non-use completely disconnect the product from power via breaker or by unplugging it.**



Never connect the product to a rheostat (variable resistor) or dimmer circuit, even if the rheostat or dimmer channel serves only as a 0 to 100% switch.

Power Linking

It is possible to power link Maverick Force s Spot products. See the table below for the current draw at each voltage and frequency:

	100 V, 60 Hz	120 V, 60 Hz	208 V, 60 Hz	230 V, 50 Hz	240 V, 60 Hz
Current Draw	5.54 A	4.53 A	2.58 A	2.33 A	2.26 A

Never exceed 12A on a single circuit. Power-linking cables can be purchased separately.

AC Plug

The Maverick Force s Spot comes with a power input cord terminated with a Seetronic Powerkon IP65 connector on one end and an Edison plug on the other end (U.S. market). If the power input cord that came with the product has no plug, or if the plug needs to be changed, use the table below to wire the new plug.

Connection	Wire (U.S.)	Wire (Europe)	Screw Color
AC Live	Black	Brown	Yellow or Brass
AC Neutral	White	Blue	Silver
AC Ground	Green/Yellow	Green/Yellow	Green

Fuse Replacement

1. Disconnect this product from the power outlet.
2. Using a flat-head screwdriver, unscrew the fuse holder cap from the housing.
3. Remove the blown fuse, and replace with another fuse of the same type and rating (F 10 A, 250 V).
4. Screw the fuse holder cap back in place and reconnect power.

Signal Connections

The Maverick Force s Spot can receive a DMX, Art-Net™, or sACN, signal. The Maverick Force s Spot has 2 Amphenol XLRnet through ports, and 3- and 5-pin DMX in and out ports. If using other compatible products with this product, each can be controlled individually with a single controller.

Control Personalities

The Maverick Force s Spot uses a 3 or 5-pin DMX data connection, W-DMX, Art-Net™, or sACN for its two control personalities: **Dmx Mode 22 CH** and **Dmx Mode 29 CH**.

- Refer to the [Operation](#) chapter to learn how to configure the Maverick Force s Spot to work in these personalities.
- The [DMX Values](#) section provides detailed information regarding the control personalities.



For more information about DMX standards or the DMX cables needed to link this product to a DMX controller, download the DMX Primer from the Chauvet website:
www.chauvetprofessional.com.

Remote Device Management

Remote Device Management (RDM) is a standard for allowing DMX-enabled devices to communicate bi-directionally along existing DMX cabling. Check the DMX controller's User Manual or with the manufacturer as not all DMX controllers have this capability. The Maverick Force s Spot supports RDM protocol that allows feedback to make changes to menu map options.

DMX Linking

The Maverick Force s Spot can be linked to a DMX controller using a 3 or 5-pin DMX connection or a WDMX connection. For more information about DMX, read the DMX primer at:
https://www.chauvetprofessional.com/wp-content/uploads/2016/06/DMX_Primer.pdf.

Art-Net™ Connection

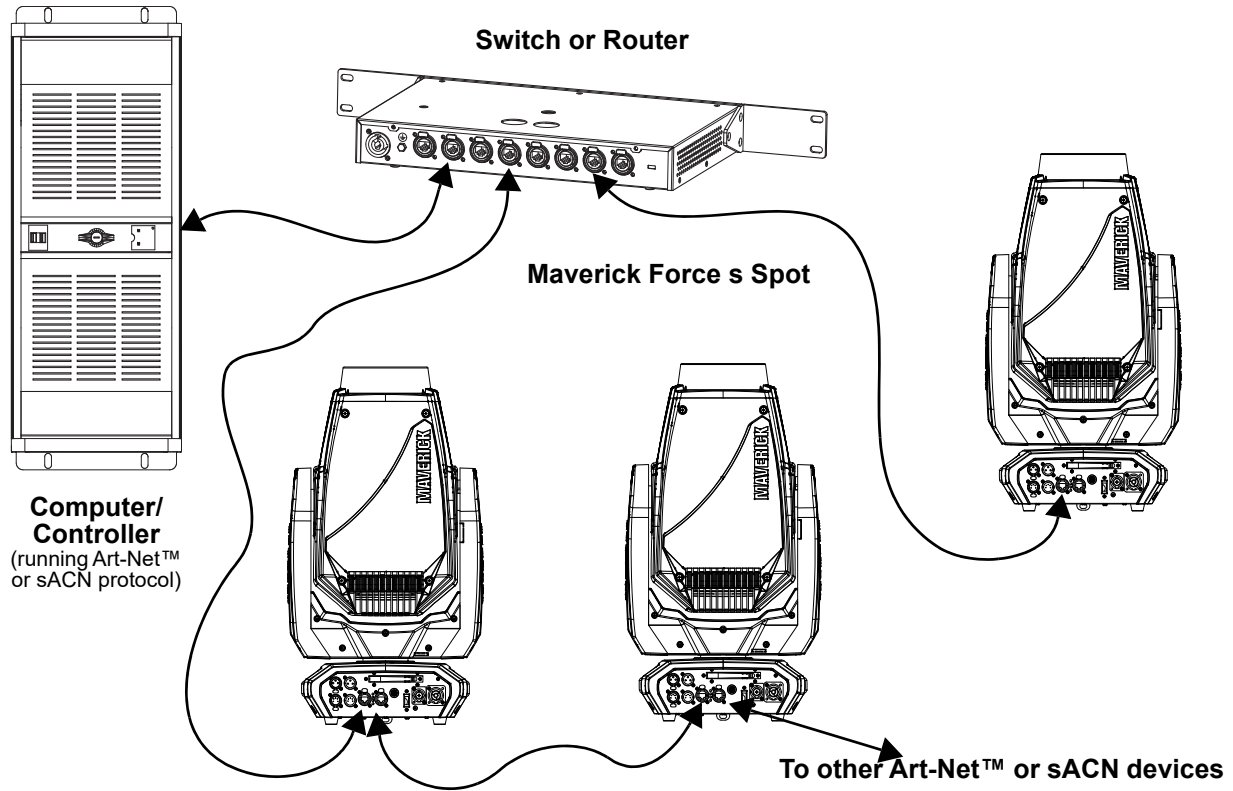
Art-Net™ is an Ethernet protocol that uses TCP/IP that transfers a large amount of DMX512 data using an Amphenol XLRnet RJ45 connection over a large network. An Art-Net™ protocol document is available from www.chauvetprofessional.com.

Art-Net™ designed by and copyright Artistic Licence Holdings Ltd.

sACN Connection

Streaming ACN, also known as ANSI E1.31, is an Ethernet protocol that uses the layering and formatting of Architecture for Control Networks to transport DMX512 data over IP or any other ACN-compatible network.

Connection Diagram



The three LED indicators in between the Ethernet through ports indicate a connection to a network and activity on that network. They do not indicate whether or not the Maverick Force s Spot is receiving a signal from a controller.

USB Software Update

The Maverick Force s Spot allows for software update through USB using the built-in USB port. To update the software using a USB type C flash drive, do the following:

1. Power on the product and plug the flash drive into the USB port.
2. Once the flash drive has been detected, the message **"USB UPDATE"** will be displayed. Press **<YES>**.
3. The next screen will show the software versions available for this fixture on the USB drive. If you have multiple versions of software for the same fixture, arrow down to the version desired to load. Press **<ENTER>**.
4. The **"USB UPDATE"** screen will re-appear. Press **<YES>**.



It is possible to update multiple units with the USB if they are daisy chained via DMX.

5. The upgrade will start. **DO NOT** turn off the power or disconnect the USB while the USB LED is still blinking during the process. The screen display will read: "USB Update Wait". USB update can take several minutes to complete.
 - **When the USB firmware is done uploading, in some fixtures the display will change to: "DO NOT UNPLUG, UPDATING".**
6. When the update is complete, the fixture will automatically reboot.
7. Go to the Fixture Information on the product's menu map and confirm the firmware revision
8. When the boot-up process is finished, restart the product.



- **Place the .chl format file in the root folder of the USB drive.**
- **The product's USB port supports up to 32GB capacity and only works with FAT32 file format.**



Turning off the power or removing the USB while still blinking during the update will cause partial or total firmware failure in the targeted fixture(s). If this occurs, the user will need the UPLOAD 08 device to fix this. Please contact Chauvet regarding this device.

Setup

Mounting

Before mounting the product, read and follow the safety recommendations indicated in the [Safety Notes](#). For the Chauvet Professional line of mounting clamps, go to <http://trusst.com/products/>.

Orientation

Always mount this product in a safe position, making sure there is adequate room for ventilation, configuration, and maintenance.

Rigging

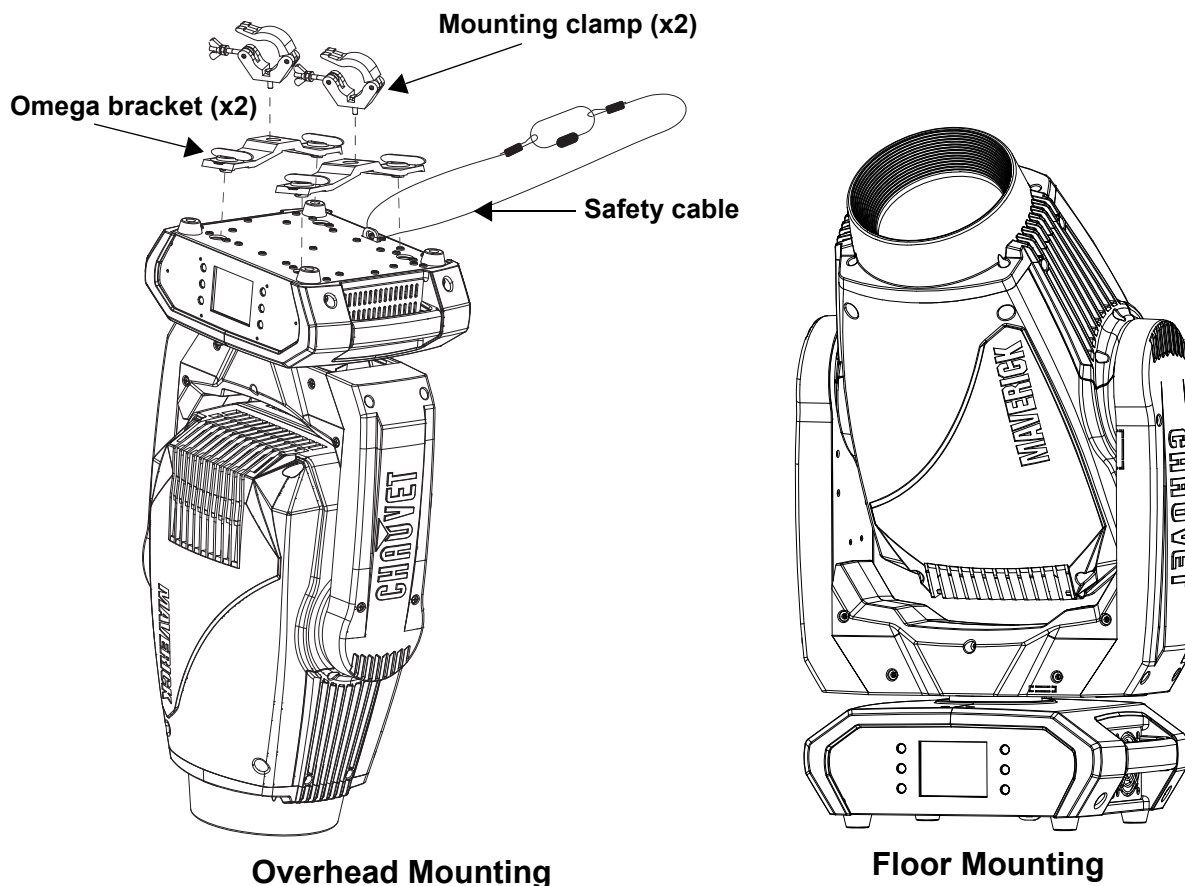
Chauvet recommends using the following general guidelines when mounting this product.

- Before deciding on a location for the product, always make sure there is easy access to the product for maintenance and programming.
- Make sure adequate ventilation is provided around the product.
- Make sure that the structure onto which the product is being mounted can support the product's weight (see the [Technical Specifications](#) for weight information).
- When mounting the product overhead, always use a safety cable. Mount the product securely to a rigging point, whether an elevated platform or a truss.
- When rigging the product onto a truss, use a mounting clamp of appropriate weight capacity.
- When power linking multiple products, mount the products close enough for power-linking cables to reach.
- The bracket adjustment knobs allow for directional adjustment when aiming the product to the desired angle. Only loosen or tighten the bracket knobs manually. Using tools could damage the knobs.

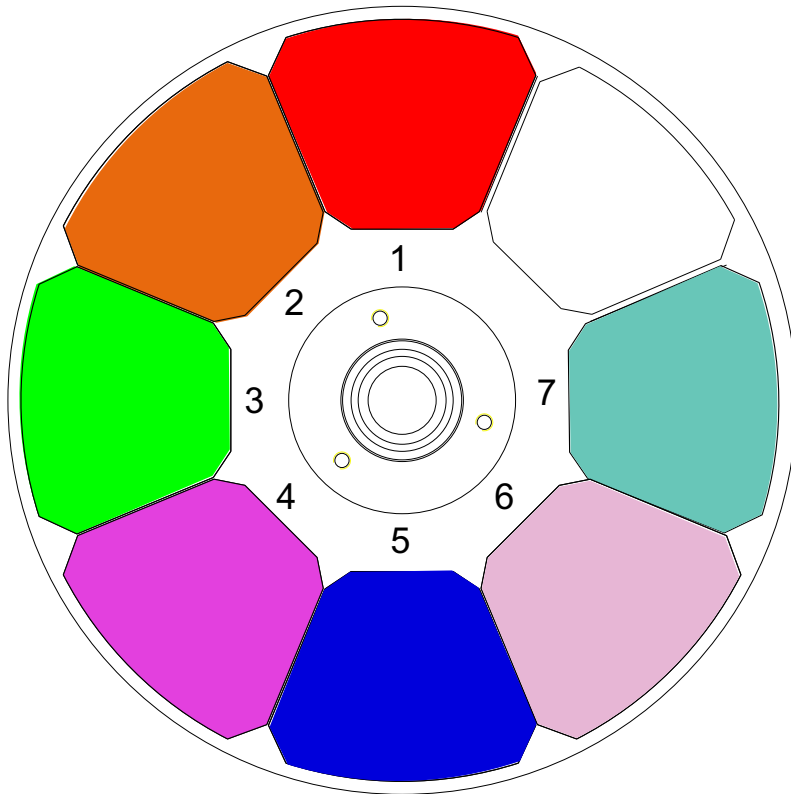
Procedure

The Maverick Force s Spot comes with two Omega brackets onto which a mounting clamp can be directly attached. Mounting clamps are sold separately. Make sure the clamps are capable of supporting the weight of this product. Use at least two mounting points per product. For the Chauvet Professional line of mounting clamps, go to <http://www.trusst.com/products>.

Mounting Diagram



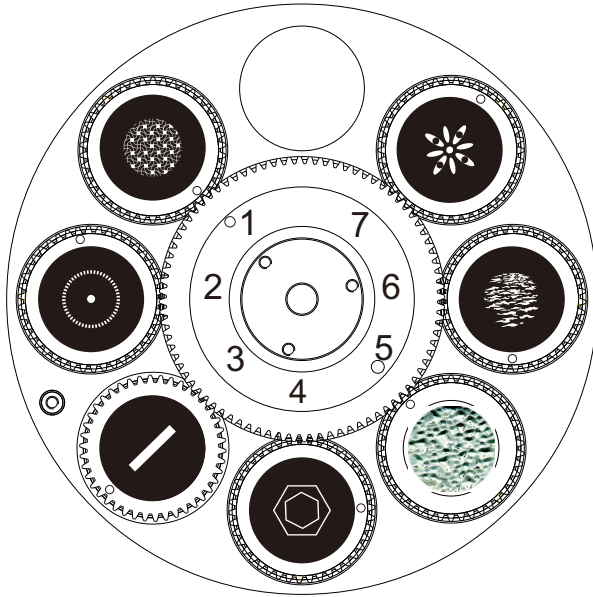
Color Wheel



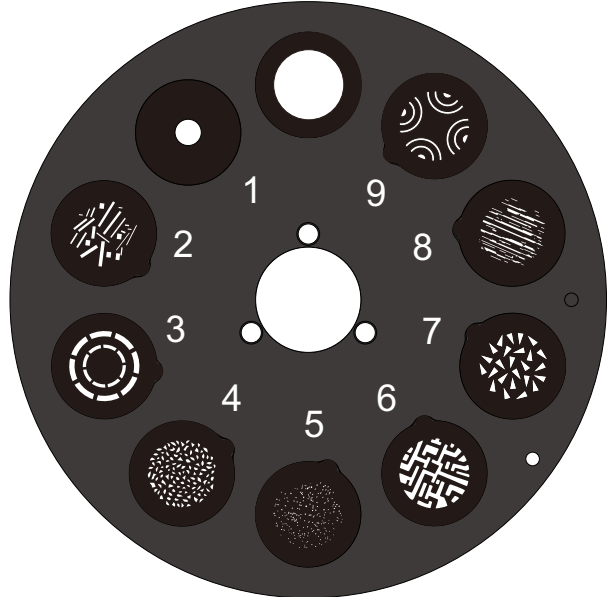
Setup

Gobo Designs

Gobo Wheel 1
Rotating gobo wheel

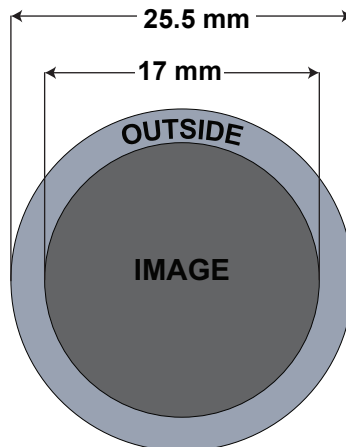


Gobo Wheel 2
Static gobo wheel



Gobo Wheel	Gobo #	Description	Gobo Wheel	Gobo #	Description
1	1	Sail boats	2	1	Beam
	2	Radial dot		2	Bars
	3	Bar		3	Circles
	4	Bolts		4	Breakup
	5	Shower glass		5	Dots
	6	Ballistic clouds		6	Circuits
	7	Four eyes		7	Triangles
				8	Forest
				9	Rainbows

Rotating Gobo Dimensions



Gobo Replacement

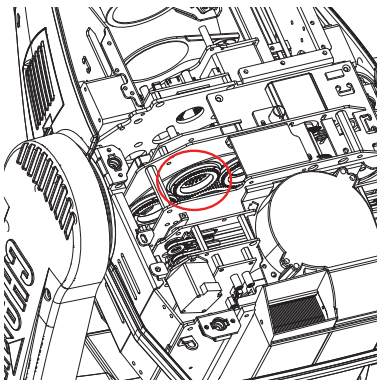
The gobos in gobo wheel 1 are removable from their gobo holders. This operation is quite simple, although it requires the technician to carefully follow the recommended procedure.

- **Make sure to disconnect the product's power cord before replacing a gobo.**
- **Always replace a gobo with a gobo of the same dimensions.**
- **When inserting a glass gobo, always make sure that the shiny side of the gobo (glass base) faces the lamp. This provides a layer of protection against the high temperature from the lamp.**

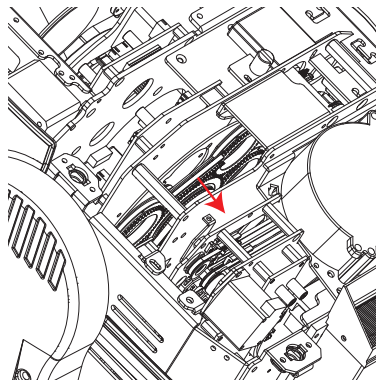
Procedure

1. Turn the product off and disconnect it from the power outlet.
2. Open the head cover by loosening the screws on the top cover.
3. Separate the gobo holder away from the gobo wheel by pushing it toward the front of the moving head. Be careful not to push the gobo out of the gobo holder.
4. Extract the gobo holder by pulling it outward.
5. On a flat surface, remove the expansion ring that holds the gobo in place and remove the gobo from the gobo holder.
6. Insert a new gobo and hold it in place with the expansion ring.
7. Slide the tip of the gobo holder under the pressure plate near the center of the gobo wheel.
8. Push the gobo holder inwards. **DO NOT** force the gobo holder into the gobo wheel slot. If correctly installed, the gobo holder should easily slide into the gobo wheel slot.

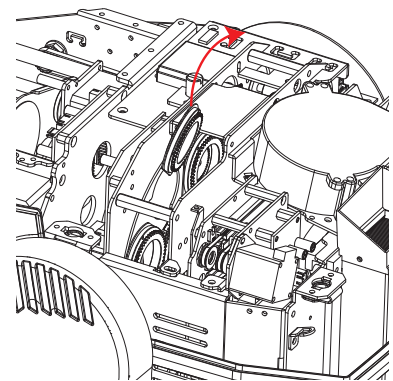
Diagram



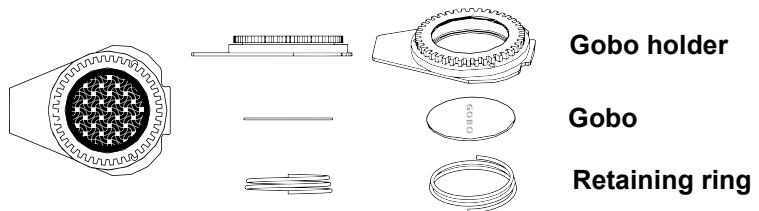
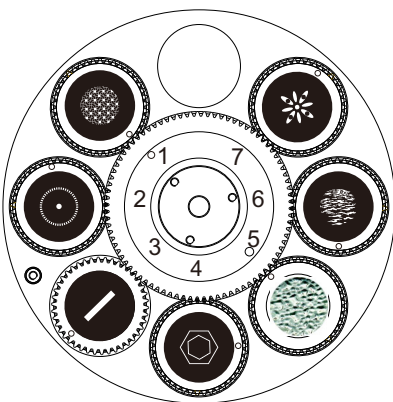
Locate



Pull back



Remove



- Gobo illustrations are for reference purposes only. Gobo designs may differ from those installed in the product.
- See [Gobo Maintenance](#) for instructions on how to clean the gobos and gobo holder.

4. Operation

Touchscreen Control Panel

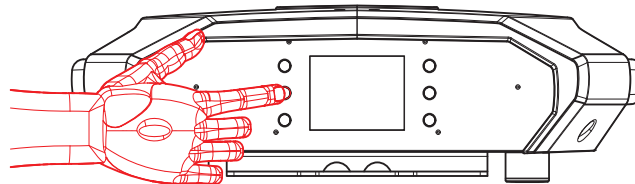
The Maverick Force s Spot has a touchscreen display and six control buttons. Navigate the menu structure by pressing the buttons, touching the images of the buttons on the sides of the display, or touching the desired menu option on the display directly. The touchscreen can be locked and calibrated through the Setup options in the menu (see [Touchscreen Calibration](#) and [Touchscreen Lock](#)).

Control Panel Description

Button	Function
	Navigates upwards through the menu list or increases the numeric value when in a function
	Exits from the current menu or function
	Navigates downwards through the menu list or decreases the numeric value when in a function
	Navigates leftwards through the menu list
	Enables the currently displayed menu or sets the currently selected value into the selected function
	Navigates rightwards through the menu list

Battery-Powered Display

The Maverick Force s Spot has a battery-powered display that enables access to the menu when the product is powered off. Press and hold **<MENU>** until the display activates (approximately 15 seconds).



Home Screen

The Maverick Force s Spot has a home screen that shows the current control protocols, personalities, starting addresses, IP addresses, and universes. To see the home screen, press **<MENU>** repeatedly until it shows on the display. From the home screen, touch any of the displayed control settings to immediately jump to that part of the menu, such as the personality, starting address, or universe, or press **<ENTER>** to reach the main menu.

Control Panel Lock

The setting locks or unlocks the control panel.

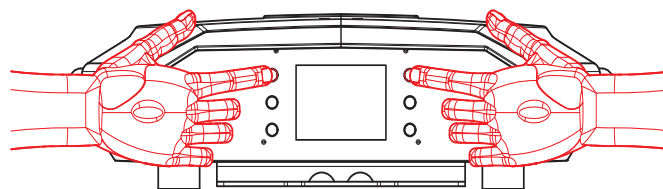
1. Go to the **Settings** main level.
2. Select the **Lock Screen** option.
3. Select **NO** (control panel stays unlocked) or **YES** (locks control panel).



When the control panel lock is activated, the product will prompt for the passcode in order to access the menu. Enter the passcode: 0920

Technician Mode

The technician mode disables the pan and tilt motors, allowing the output of the product to be aimed by hand. To enable the technician mode of the Maverick Force s Spot, hold **<UP>** and **<LEFT>** while the product is powering on. When the product is turned off and back on, the pan and tilt will return to normal function.



Menu Map

Refer to the Maverick Force s Spot product page on www.chauvetprofessional.com for the latest software menu map.

Main Level	Programming Levels		Description
Address	001–512		Sets the starting address
Network Setup	IP Mode	Manual	Manually set IP address
		DHCP	Network sets IP address
		Static	Product sets IP address
	Universe	000–255 (Art-Net™) 001–256 (sACN)	Sets the universe
	Ip	002. _ _ _ . _ _ _ . _ _ _ . _ _ _	Sets the IP address in Manual mode
	SubMask	_ _ _ . _ _ _ . _ _ _ . _ _ _	Sets the Subnet Mask in Manual mode
Personality	Dmx Mode 22 CH	YES	Selects the 22-channel mode
		NO	
	Dmx Mode 29 CH	YES	Selects the 29-channel mode
		NO	
Settings	Control Mode	DMX	Sets the control protocol
		WDMX	
	Pan Reverse	ArtNet	Normal pan
		sACN	
	Tilt Reverse	NO	Reversed pan
		YES	Reversed tilt
	Screen Reverse	NO	Normal display
		YES	Inverted display
		AUTO	Automatic display orientation
	Pan Angle	540	540° pan range
		360	360° pan range
		180	180° pan range
	Tilt Angle	270	270° tilt range
		180	180° tilt range
		90	90° tilt range
	BL. O. P/T Move	NO	Do not black out while panning/tilting
		YES	Blackout while panning/tilting
	BL. O. Color Move	NO	Do not black out while color wheel moving
		YES	Blackout while color wheel moving
	BL. O. Gobo Move	NO	Do not black out while gobo wheels moving
YES		Blackout while gobo wheels moving	
Calibration	NO	Calibration disabled	
	YES	Calibration enabled	
Touchscreen Lock	NO	Touchscreen enabled	
	YES	Touchscreen disabled	
Lock Screen	NO	Lock the buttons and touch screen. Passcode: 0920	
	YES		
Swap XY	NO	Do not swap pan and tilt	
	YES	Pan controls tilt, tilt controls pan	

Main Level	Programming Levels		Description
Settings (cont.)	WDMX Reset	NO	Do not reset WDMX
		YES	Reset WDMX
	Backlight Timer	30S	Display turns off after 30 seconds
		1M	Display turns off after 1 minute
		5M	Display turns off after 5 minutes
		ON	Display stays on
	Loss of Data	Hold	Holds last signal received
		Close	Blacks out fixture
	Fans	Auto	Fan speed according to product temperature
		Full	Fan speed set on high
		ECO	Quiet mode
		TV25	Maintains LED output up to an ambient temperature of 77 °F (25 °C) (TV25) or 95 °F (35 °C) (TV35).
		TV35	When using these fan modes, please set the PWM Options to 6000Hz or 15000Hz to prevent any possible harmonization noise.
	Dimmer Curve	Linear Square I Squa SCurve Linear2	Set the dimmer curve
	PWM Option	600Hz 1200Hz 4000Hz 6000Hz 15000Hz	Sets the Pulse Width Modulation frequency
	LED Power	64–255	Sets the maximum LED output
	Min. Zoom Focus	NO	Enables/disables minimum zoom focus
		YES	
	Preset Select	PRESET A PRESET B PRESET C	Recorded preset menu options
	Preset Sync	NO	Allows recorded preset menu options to be transferred to other Maverick Force s Spot fixtures in the DMX daisy chain
YES			
USB Update	NO	Enables/disables software update using USB	
	YES		
Reset Function	Pan/Tilt Iris/Prism Color/CMY Gobo/Gobo Rotate Frost All	NO/YES	Reset individual functions or all functions from start-up
Factory Settings	NO	Reset to factory default settings	
	YES		

Main Level	Programming Levels		Description
	Auto Test		Auto test all functions
	Test	Manual Test Pan Pan Fine Tilt Tilt Fine P/T Speed Dimmer Dimmer Fine Shutter Virtual Shaking Cyan Magenta Yellow Color Gobo Gobo Rotate Gobo Index Gobo2 Focus Focus Fine Focus Auto Zoom Zoom Fine Prism Prism Rotate Iris Frost CMY Macro CMY Macro Speed Special Function	000-255 Manually control and test all settings through the control panel

Main Level	Programming Levels		Description	
Information	Fixture Information	Ver	V_	Shows firmware version
		Running Mode	---	Shows current running mode
		DMX Address	---	Shows current starting address
		Temperature	---	Shows current product temperature in °C
		Fixture Hours	-----	Shows number of hours product has been powered on
		Ip	-----	Shows current IP address
		SubMask	-----	Shows current Subnet Mask
		MAC	-----	Shows current MAC address
	Fan Information	Head Fan1 Speed	----	Shows speed of head fans in rpm
		Head Fan2 Speed	----	
		Base Fan1 Speed	----	
		Base Fan2 Speed	----	
	Error Information		----	Shows any errors, or No Error!
	Channel Information	Pan	000-255	Shows all current values from input signals
		Pan Fine		
Tilt				
Tilt Fine				
P/T Speed				
Dimmer				
Dimmer Fine				
Shutter				
Virtual Shaking				
Cyan				
Magenta				
Yellow				
Color				
Gobo				
Gobo Rotate				
Gobo Index				
Gobo2				
Focus				
Focus Fine				
Focus Auto				
Zoom				
Zoom Fine				
Prism				
Prism Rotate				
Iris				
Frost				
CMY Macro				
CMY Macro Speed				
Special Function				

DMX Values

22CH	29CH	Function	Value	Percent/Setting
1	1	Pan	000 ⇔ 255	0–100%
2	2	Pan fine	000 ⇔ 255	Fine control (16-bit)
3	3	Tilt	000 ⇔ 255	0–100%
4	4	Fine tilt	000 ⇔ 255	Fine control (16-bit)
5	5	Pan/tilt speed	000 ⇔ 255	Fast to slow
6	6	Dimmer	000 ⇔ 255	0–100%
–	7	Dimmer fine	000 ⇔ 255	Fine control (16-bit)
7	8	Strobe	000 ⇔ 003	Closed
			004 ⇔ 007	Open
			008 ⇔ 076	Synchronized strobe, slow to fast
			077 ⇔ 145	Pulse strobe, slow to fast
			146 ⇔ 215	Random strobe, slow to fast
8	9	Virtual strobe	216 ⇔ 255	Open
			000 ⇔ 001	Open
			002 ⇔ 128	Shaking effect, slow to fast
129 ⇔ 255	Fading effect, slow to fast			
9	10	Cyan	000 ⇔ 255	0–100%
10	11	Magenta	000 ⇔ 255	0–100%
11	12	Yellow	000 ⇔ 255	0–100%
12	13	Color wheel (see Color Wheel)	000 ⇔ 006	Open
			007 ⇔ 013	Red
			014 ⇔ 020	Orange
			021 ⇔ 027	Green
			028 ⇔ 034	Magenta
			035 ⇔ 041	UV
			042 ⇔ 048	CRI
			049 ⇔ 059	CTB
			060 ⇔ 187	Color wheel index
			188 ⇔ 219	Reverse color scroll, fast to slow
			220 ⇔ 223	Stop
224 ⇔ 255	Color scroll, slow to fast			
13	14	Gobo wheel 1 (rotating) (see Gobo Designs)	000 ⇔ 007	Open
			008 ⇔ 015	Gobo 1 (sail boats)
			016 ⇔ 023	Gobo 2 (radial dot)
			024 ⇔ 031	Gobo 3 (bar)
			032 ⇔ 039	Gobo 4 (bolts)
			040 ⇔ 047	Gobo 5 (shower glass)
			048 ⇔ 055	Gobo 6 (ballistic clouds)
			056 ⇔ 063	Gobo 7 (four eyes)
			064 ⇔ 071	Gobo 7 shaking
			072 ⇔ 079	Gobo 6 shaking
			080 ⇔ 087	Gobo 5 shaking
			088 ⇔ 095	Gobo 4 shaking
			096 ⇔ 103	Gobo 3 shaking
			104 ⇔ 111	Gobo 2 shaking
			112 ⇔ 119	Gobo 1 shaking
			120 ⇔ 127	Open
			128 ⇔ 191	Gobo scroll, slow to fast
192 ⇔ 255	Reverse gobo scroll, slow to fast			

Operation



22CH	29CH	Function	Value	Percent/Setting
14	15	Gobo 1 rotation	000 ⇔ 063	Rotating gobo index
			064 ⇔ 145	Gobo rotation, fast to slow
			146 ⇔ 149	Stop
			150 ⇔ 231	Reverse gobo rotation, slow to fast
			232 ⇔ 255	Bounce effect, short to long
-	16	Fine gobo 1 rotation	000 ⇔ 255	Fine control (16-bit)
15	17	Gobo wheel 2 (static) (see Gobo Designs)	000 ⇔ 005	Open
			006 ⇔ 011	Gobo 1 (beam)
			012 ⇔ 017	Gobo 2 (bars)
			018 ⇔ 023	Gobo 3 (circles)
			024 ⇔ 029	Gobo 4 (breakup)
			030 ⇔ 035	Gobo 5 (dots)
			036 ⇔ 041	Gobo 6 (circuits)
			042 ⇔ 047	Gobo 7 (triangles)
			048 ⇔ 053	Gobo 8 (forest)
			054 ⇔ 063	Gobo 9 (rainbows)
			064 ⇔ 069	Gobo 9 shaking
			070 ⇔ 075	Gobo 8 shaking
			076 ⇔ 081	Gobo 7 shaking
			082 ⇔ 087	Gobo 6 shaking
			088 ⇔ 093	Gobo 5 shaking
			094 ⇔ 099	Gobo 4 shaking
			100 ⇔ 105	Gobo 3 shaking
106 ⇔ 111	Gobo 2 shaking			
112 ⇔ 117	Gobo 1 shaking			
118 ⇔ 127	Open			
128 ⇔ 191	Gobo scroll, slow to fast			
192 ⇔ 255	Reverse gobo scroll, slow to fast			
16	18	Focus	000 ⇔ 255	0–100%
-	19	Focus fine	000 ⇔ 255	Fine control (16-bit)
-	20	Auto focus	000 ⇔ 010	No function
			011 ⇔ 030	0–5 m auto focus
			031 ⇔ 050	6 m auto focus
			051 ⇔ 070	7 m auto focus
			071 ⇔ 090	8 m auto focus
			091 ⇔ 110	9 m auto focus
			111 ⇔ 130	10 m auto focus
			131 ⇔ 150	12.5 m auto focus
			151 ⇔ 170	15 m auto focus
			171 ⇔ 190	17.5 m auto focus
			191 ⇔ 210	20–60 m auto focus
211 ⇔ 255	Auto-detect distance			
17	21	Zoom	000 ⇔ 255	0–100%
-	22	Fine zoom	000 ⇔ 255	Fine control (16-bit)
18	23	Prism	000 ⇔ 004	No function
			005 ⇔ 255	Prism effect
19	24	Prism rotation	000 ⇔ 127	Prism index
			128 ⇔ 189	Prism rotation, fast to slow
			190 ⇔ 193	Stop
			194 ⇔ 255	Reverse prism rotation, slow to fast
20	25	Iris	000 ⇔ 063	0–100%
			064 ⇔ 127	Auto change, slow to fast
			128 ⇔ 191	Slow expand, fast shrink (slow to fast)
			192 ⇔ 255	Slow shrink, fast expand (slow to fast)

22CH	29CH	Function	Value	Percent/Setting
21	26	Frost	000 ⇔ 255	0–100%
–	27	CMY macro	000 ⇔ 009 010 ⇔ 014 015 ⇔ 020 021 ⇔ 255	Open Full CTO ½ CTO CMY macro
–	28	CMY macro speed	000 ⇔ 255	CMY macro speed, fast to slow
22	29	Control	000 ⇔ 007 008 ⇔ 015 016 ⇔ 023 024 ⇔ 031 032 ⇔ 039 040 ⇔ 047 048 ⇔ 055 056 ⇔ 095 096 ⇔ 103 104 ⇔ 111 112 ⇔ 119 120 ⇔ 127 128 ⇔ 131 132 ⇔ 135 136 ⇔ 143 144 ⇔ 151 152 ⇔ 159 160 ⇔ 167 168 ⇔ 175 176 ⇔ 183 184 ⇔ 191 192 ⇔ 199 200 ⇔ 207 208 ⇔ 215 216 ⇔ 217 218 ⇔ 220 221 ⇔ 225 226 ⇔ 230 231 ⇔ 235 236 ⇔ 240 241 ⇔ 245	No function Pan tilt blackout Color blackout Gobo blackout Pan tilt/color blackout Pan tilt/gobo blackout Pan tilt/color/gobo blackout No function Pan reset Tilt reset Color reset Gobo reset High color temperature gobo on High color temperature gobo off Prism reset No function All reset Iris reset Frost reset Zoom reset CMY reset Fan ECO Fan full Fan auto Fan TV25 Fan TV35 Iris fast mode Iris smooth mode Pan tilt swap on Pan tilt swap off Min Zoom Focus on

Operation

Controlled Configuration

Use control configurations to operate the product with a DMX, Art-Net™, or sACN controller.

Control Mode

The Maverick Force s Spot works with wired DMX, WDMX, Art-Net™, and sACN control signals. To select which protocol to use:

1. Go to the **Settings** main level.
2. Select the **Control Mode** option.
3. Select the desired protocol, from **DMX**, **WDMX**, **ArtNet**, or **sACN**.



- See the [WDMX Reset](#) section for further setup of WDMX.
- See the [Network Setup](#) section for further setup of Ethernet protocols (Art-Net™ or sACN).

Control Personalities

To set the control personality:

1. Go to the **Personality** main level.
2. Select the desired personality, from **Dmx Mode 22 CH** or **Dmx Mode 29 CH**.



- See the [Starting Address](#) section for the highest starting address available for each personality.
- Make sure that the starting addresses on the various products do not overlap due to the new personality setting.

Starting Address

Each product will respond to a unique starting address from the controller. All products with the same starting address will respond in unison. To set the starting address:

1. Go to the **Address** main level.
2. Select the starting address (**001–491**).
 - The highest recommended starting address for **Dmx Mode 22 CH** is **491**.
 - The highest recommended starting address for **Dmx Mode 29 CH** is **484**.

Network Setup

The Network Setup settings control the IP address, subnet mask, and universe of the product.

IP Mode

To choose how the IP address is set:

1. Go to the **Network Setup** main level.
2. Select the **IP Mode** option.
3. Select the desired IP mode, from **Manual** (to set a custom IP address), **DHCP** (the IP address is assigned by the connected network), or **Static** (the product uses a default, preset IP address).

Universe

To assign an Art-Net™ or sACN universe to the Maverick Force s Spot:

1. Go to the **Network Setup** main level.
2. Select the **Universe** option.
3. Set the universe, from **000–255** (for Art-Net™) or from **001–256** (for sACN).

Manual IP Address

To set the IP address when the **IP Mode** is set to **Manual**:

1. Go to the **Network Setup** main level.
2. Select the **Ip** option.
3. Set the values of the IP address from **000–255**.

Subnet Mask

To set the subnet mask:

1. Go to the **Network Setup** main level.
2. Select the **SubMask** option.
3. Set the values of the subnet mask from **000–255**.

Settings Configuration

Pan Reverse

To set the orientation of the pan:

1. Go to the **Settings** main level.
2. Select the **Pan Reverse** option.
3. Select from **NO** (normal pan motion) or **YES** (reversed pan motion).

Tilt Reverse

To set the orientation of the tilt:

1. Go to the **Settings** main level.
2. Select the **Tilt Reverse** option.
3. Select from **NO** (normal tilt motion) or **YES** (reversed tilt motion).

Screen Reverse

To set the orientation of the display:

1. Go to the **Settings** main level.
2. Select the **Screen Reverse** option.
3. Select from **NO** (right-side up), **YES** (upside-down), or **AUTO** (changes depending on the orientation of the product).

Pan Angle

To set the maximum angle of the pan:

1. Go to the **Settings** main level.
2. Select the **Pan Angle** option.
3. Select from **540** (540°), **360** (360°), or **180** (180°).

Tilt Angle

To set the maximum angle of the tilt:

1. Go to the **Settings** main level.
2. Select the **Tilt Angle** option.
3. Select from **270** (270°), **180** (180°), or **90** (90°).

Blackout on Movement

To set the Maverick Force s Spot to black out on pan or tilt movement, color wheel movement, or gobo wheel movement:

1. Go to the **Settings** main level.
2. Select the **BL. O. P/T Move** (blackout on pan or tilt movement), **BL. O. Color Move** (black out on color wheel movement), or **BL. O. Gobo Move** (black out on gobo wheel movement) option.
3. Select from **NO** (no blackout on selected movement), or **YES** (black out during the selected movement).

Touchscreen Calibration

To calibrate the touchscreen:

1. Go to the **Settings** main level.
2. Select the **Calibration** option.
3. Select from **NO** (do not calibrate) or **YES** (calibrate).
4. Follow the instructions on the display.

Touchscreen Lock

To lock the touchscreen and limit the display to operation by the menu buttons:

1. Go to the **Settings** main level.
2. Select the **Touchscreen Lock** option.
3. Select from **NO** (do not lock the touchscreen) or **YES** (lock the touchscreen).

Swap Pan and Tilt

To swap the pan and tilt controls for each other:

1. Go to the **Settings** main level.
2. Select the **Swap XY** option.
3. Select from **NO** (do not swap) or **YES** (swap so pan controls tilt and tilt controls pan).

Operation

WDMX Reset

To reset the WDMX connection and allow the Maverick Force s Spot to connect to a WDMX transmitter:

1. Go to the **Settings** main level.
2. Select the **WDMX Reset** option.
3. Select from **NO** (do not reset) or **YES** (reset the WDMX connection).



Follow instructions in the manual or guide for the WDMX controller being used to connect it to the receiver in the Maverick Force s Spot.

Display Backlight Timer

To set the length of time before an inactive display will turn off:

1. Go to the **Settings** main level.
2. Select the **Backlight Timer** option.
3. Select the length of the backlight timer, from **30S** (30 seconds), **1M** (1 minute), **5M** (5 minutes), or **ON** (always on).

Loss of Data

To set how the product reacts to a loss in control signal data:

1. Go to the **Settings** main level.
2. Select the **Loss of Data** option.
3. Select from **Hold** (holds the last values received before signal loss) or **Close** (blacks out the product).

Fan Mode

To set the fan speed mode:

1. Go to the **Settings** main level.
2. Select the **Fans** option.
3. Select the fan mode, from **Auto** (fan speed adjusts to product temperature), **Full** (fan speed at maximum), **ECO** (quiet mode), **TV25** (maintains LED output up to an ambient temperature of 77 °F/25 °C), or **TV35** (maintains LED output up to an ambient temperature of 95 °F/35 °C).

Dimmer Curve

To set the dimmer curve:

1. Go to the **Settings** main level.
2. Select the **Dimmer Curve** option.
3. Select the dimmer curve, from **Linear**, **Square**, **I Squa**, **SCurve**, or **Linear2**.

Pulse Width Modulation

To adjust the frequency of the pulse width modulation:

1. Go to the **Settings** main level.
2. Select the **PWM Option** option.
3. Select the frequency, from **600Hz**, **1200Hz**, **4000Hz**, **6000Hz**, or **15000Hz**.

LED Power

To set the maximum LED output:

1. Go to the **Settings** main level.
2. Select the **LED Power** option.
3. Set the power from **64–255**.

Minimum Zoom Focus

To enable or disable the minimum zoom focus function:

1. Go to the **Settings** main level.
2. Select the **Min. Zoom Focus** option.
3. Select **No** (disables minimum zoom focus) or **Yes** (enables minimum zoom focus).

Preset Selection

To select a preset configuration of menu options:

1. Go to the **Settings** main level.
2. Select the **Preset Select** option.
3. Select from **PRESET A** (default), **PRESET B**, or **PRESET C**.



- Changes to settings automatically save to the currently selected preset option.
- If no preset option has been selected, changes to settings save to PRESET A.
- After selecting a preset option, the product will restart.

Preset Synchronization

To transfer saved preset options from one Maverick Force s Spot to another:

1. Connect the Maverick Force s Spot products to receive the preset options by a DMX daisy chain.
2. Make the Maverick Force s Spot with the preset options to transfer be the first fixture in the DMX daisy chain.
3. Power on all of the products.
4. Set all of the products to a [Control Mode](#) other than **WDMX** (i.e., **DMX**, **ArtNet**, or **sACN**).
5. On the Maverick Force s Spot with the preset options, go to the **Settings** main level.
6. Select the **Preset Sync** option.
7. Select **NO** (to cancel) or **YES** (to transfer the preset options to the connected products).



- **All menu configurations are transferred except for the IP address.**
- **ONLY connect Maverick Force s Spot products for this function!**

USB Update

To enable or disable software update using USB:

1. Go to the **Settings** main level.
2. Select the **USB Update** option.
3. Select **NO** (disables software update through USB) or **YES** (enables software update through USB).



See the [Mounting](#) section for the detailed instructions on how to update the Maverick Force s Spot software using the USB flash drive.

Reset Function

To reset specific functions or the entire product:

1. Go to the **Settings** main level.
2. Select the **Reset Function** option.
3. Select the functions to reset, from **Pan/Tilt**, **Iris/Prism**, **Color/CMY**, **Gobo/Gobo Rotate**, **Frost**, or **All**.
4. Select **NO** (to cancel) or **YES** (to reset the selected functions).

Factory Reset

To reset the product to factory default settings:

1. Go to the **Settings** main level.
2. Select the **Factory Reset** option.
3. Select **NO** (to cancel) or **YES** (to reset the product configuration to default factory settings).

Test Mode

Auto Test

To have the Maverick Force s Spot automatically test all functions one after the other:

1. Go to the **Test** main level.
2. Select the **Auto Test** option.

Manual Test

To manually test an individual function of the Maverick Force s Spot:

1. Go to the **Test** main level.
2. Select the **Manual Test** option.
3. Select a function to test. (Available functions are: **Pan**, **Pan Fine**, **Tilt**, **Tilt Fine**, **P/T Speed**, **Dimmer**, **Dimmer Fine**, **Shutter**, **Virtual Shaking**, **Cyan**, **Magenta**, **Yellow**, **Color**, **Gobo**, **Gobo Rotate**, **Gobo Index**, **Gobo2**, **Focus**, **Focus Fine**, **Focus Auto**, **Zoom**, **Zoom Fine**, **Prism**, **Prism Rotate**, **Iris**, **Frost**, **CMY Macro**, **CMY Macro Speed**, and **Special Function**).
4. Increase or decrease the value of the selected function from **000–255** to test it.

System Information

The information section of the menu displays statistics and the current status of the product's various functions. To view these information sections:

1. Go to the **Information** main level.
2. Select which information to view, from **Fixture Information** (shows the firmware version, running mode, DMX address, temperature, running time, IP address, Subnet Mask, and MAC address), **Fan Information** (shows the speed of the head and base fans in rotations per minute (rpm)), **Error Information** (shows any error the product has), or **Channel Information** (shows the current values of all signal input channels).
3. If necessary, scroll up and down to view all information available in the selected option.

Zero Adjust Mode

The Offset mode provides fine adjustments for the home position of every moving part in the optical path and pan and tilt movements. To adjust these options and to prevent the borders from showing or the reduction of the light output:

1. From the main level screen, press and hold **<MENU>** until the passcode screen appears.
2. Enter the passcode: **0920** and press **<ENTER>**.
3. Select the "zero" position to adjust, from **PAN, TILT, COLOR, GOBO, GOBO ROTATE, GOBO2, FOCUS-GOBO, FOCUS-GOBO2, ZOOM, PRISM, IRIS, FROST, CYAN, MAGENTA, YELLOW, DIMMER, MAC4, MAC5, MAC6, RDM4, RDM5, or RDM6**.
4. Adjust the "zero" position for the selected function from **000–255**.

Web Server

The Maverick Force s Spot Web Server can be accessed by any computer on the same network as the product. It allows network access to system information and settings, such as control setup, manual testing of all functions, firmware updates, and the ability to change the Web Server password.

1. Connect the product to power.
2. Set the [Control Mode](#) to **ArtNet** and the [IP Mode](#) to **Static**.
3. Connect the product to a Windows computer with a network cable.
4. On the computer, set the first value of the IP address of the new network to match the first value of the IP address of the product. The IP address of the product is displayed on the [Home Screen](#).
5. Enter the IP address of the product into the URL bar of a web browser on the computer.
6. Enter both the user name and password as **admin** to log in.

Information

The Information page on the Web Server displays the current settings and the system information of the Maverick Force s Spot.

Setup

The Setup page on the Web Server provides options for control, similar to the **Setup** menu on the product. Click **Save Settings** to send the new configuration to the product.

Manual Test

The Manual Test page on the Web Server allows all output functions of the product to be controlled through the browser. To set all functions back to default, click **Reset**.

Firmware Update

The Upgrade page on the Web Server allows the product to be updated with the latest firmware. Go to <https://www.chauvetprofessional.com> to download firmware updates.

Security

The Security page on the Web Server gives the option to change the password to the connected product's web server. Enter the old password (**admin**, by default) and the new password twice, then click **Save Settings** to change the password.

5. Maintenance

Product Maintenance

Dust build-up reduces light output performance and can cause overheating. This can lead to reduction of the light source's life and/or mechanical wear. To maintain optimum performance and minimize wear, clean the lighting products at least twice a month. However, be aware that usage and environmental conditions could be contributing factors to increase the cleaning frequency.

To clean the product, follow the instructions below:

1. Unplug the product from power.
2. Wait until the product is at room temperature.
3. Use a vacuum (or dry compressed air) and a soft brush to remove dust collected on the external surface/vents.
4. Clean all transparent surfaces with a mild soap solution, ammonia-free glass cleaner, or isopropyl alcohol.
5. Apply the solution directly to a soft, lint free cotton cloth or a lens cleaning tissue.
6. Softly drag any dirt or grime to the outside of the transparent surface.
7. Gently polish the transparent surfaces until they are free of haze and lint.



Always dry the transparent surfaces carefully after cleaning them.



Do not spin the cooling fans with compressed air. Damage may result.

Gobo Maintenance

To ensure optimal operation, 1) inspect and 2) clean gobos every four months. More frequent maintenance may be necessary if usage is higher.

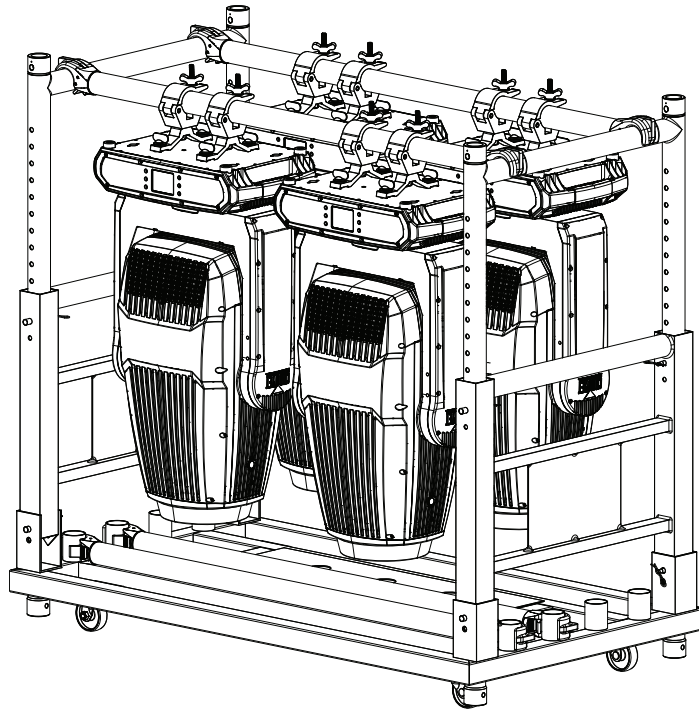
To inspect, remove each gobo holder and check if:

- the holders are clean (free of dirt, grime, or gunk).
- the gobos are properly installed in the holders.
- all the bearings are in place.
- the holders are rotating freely.

To clean the gobos and the gobo holder, follow the instructions below:

1. Remove the gobos from the holder.
2. Clean the gobos with a soft, lint-free cotton cloth. Use an ammonia-free glass cleaner sprayed to a piece of lint-free cotton cloth to clean glass gobos.
3. Submerge the gobo holder (without the gobo installed) in a container with a liquid lubricant (i.e., WD40) and let it rest for a couple of minutes.
4. Shake the container with the gobo holder inside to help release/loosen any gunk/grime/dirt.
5. Take the gobo holder out of the container and clean it using a small nylon brush.
6. Wipe off all the lubricant from the gobo holder using a piece of lint-free cotton cloth.
7. Apply a small coat of synthetic oil (i.e., Liquid Bearings) to the bearings and rotate it thoroughly in both directions (needle tip applicator recommended). Make sure the gobo holder is rotating freely and is not making any abnormal noise.
8. Reinstall the gobos in the gobo holder. Make sure the gobos are in the correct positions.
9. Reinstall the gobo holder in the unit.

Transporting on Truss or Racks



When transporting fixtures in pre-rigged truss and transportation racks, mount fixtures in the vertical position with the lenses facing down and the pan and tilt locks engaged. This is to prevent undue stress on the tilt locks and limit the amount of off-axis bounce on internal components.

6. Technical Specifications

Dimensions and Weight

Length	Width	Height	Weight
14.2 in (360 mm)	9.2 in (234 mm)	25.1 in (636 mm)	47.4 lb (21.5 kg)

Note: Dimensions in inches are rounded.

Power

Power Supply Type	Range	Voltage Selection
Switching (internal)	100 to 240 VAC, 50/60 Hz	Auto-ranging

Parameter	100 V, 60 Hz	120 V, 60 Hz	208 V, 60 Hz	230 V, 50 Hz	240 V, 50 Hz
Consumption	554 W	542 W	522 W	521 W	521 W
Operating current	5.54 A	4.53 A	2.58 A	2.33 A	2.26 A
Fuse/breaker	F 10 A, 250 V	F 10 A, 250 V	F 10 A, 250 V	F 10 A, 250 V	F 10 A, 250 V
Power linking	13.6 A (2 products)	13.6 A (2 products)	13.6 A (4 products)	13.6 A (5 products)	13.6 A (5 products)

Power I/O	U.S./Worldwide	UK/Europe
Power input connector	Seetronic Powerkon IP65	Seetronic Powerkon IP65
Power cord plug	Edison (U.S.)	Local plug

Light Source

Type	Color	Quantity	Power	Current	Lifespan
LED	Cool white	1	350 W	2.7 A	50,000 hours

Photometrics

Beam Angle	Field Angle	Zoom Range	Cutoff Angle
4.1° to 36.5°	5.1° to 40.4°	4.1° to 43.1°	7.6° to 54.4°

Illuminance @ 5 m (4.1°)	Illuminance @ 5 m (41.9°)	Color Temperature
62,131 lux	1,745 lux	6858K

Acoustics

Settings	Idle	Max	ECO	Auto	Full
Sound pressure level (dBA @ 1 m)	28.9	36.1	31.5	33.6	38.7

Thermal

Maximum External Temperature	Cooling System
113 °F (45 °C)	Fan-assisted convection

DMX

I/O Connector	Channel Range
3 and 5-pin XLR	22 or 29

Art-Net™/sACN

I/O Connector	Channel Range
Amphenol XLR Net RJ45 in/out	22 or 29

Ordering

Product Name	Item Name	Item Code	UPC Number
Maverick Force s Spot	MAVERICKFORCESSPOT	08011813	781462221614



Contact Us

General Information	Technical Support
Chauvet World Headquarters	
Address: 3360 Davie Rd., Suite 509 Davie, FL 33314 Voice: (954) 577-4455 Fax: (954) 929-5560 Toll Free: (800) 762-1084	Voice: (844) 393-7575 Fax: (954) 756-8015 Email: chauvetcs@chauvetlighting.com Website: www.chauvetprofessional.com
Chauvet Benelux	
Address: Pod 1 EVO Park Little Oak Drive, Sherwood Park Nottinghamshire, NG15 0EB UK Voice: +44 (0) 1773 511115 Fax: +44 (0) 1773 511110	Email: UKtech@chauvetlighting.eu Website: www.chauvetprofessional.eu
Chauvet Europe	
Address: Stokstraat 18 9770 Kruishoutem Belgium Voice: +32 9 388 93 97	Email: BNLtech@chauvetlighting.eu Website: www.chauvetprofessional.eu
Chauvet France	
Address: 3, Rue Ampère 91380 Chilly-Mazarin France Voice: +33 1 78 85 33 59	Email: FRtech@chauvetlighting.fr Website: www.chauvetprofessional.eu
Chauvet Germany	
Address: Bruno-Bürgel-Str. 11 28759 Bremen Germany Voice: +49 421 62 60 20	Email: DEtech@chauvetlighting.de Website: www.chauvetprofessional.eu
Chauvet Mexico	
Address: Av. de las Partidas 34 - 3B (Entrance by Calle 2) Zona Industrial Lerma Lerma, Edo. de México, CP 52000 Voice: +52 (728) 690-2010	Email: servicio@chauvet.com.mx Website: www.chauvetprofessional.mx

Warranty & Returns

For warranty terms and conditions and return information, please visit our website.

For customers in the United States and Mexico: www.chauvetlighting.com/warranty-registration.

For customers in the United Kingdom, Republic of Ireland, Belgium, the Netherlands, Luxembourg, France, and Germany: www.chauvetlighting.eu/warranty-registration.