

STRIKE **ARRAY** 4

User Manual



Model ID: STRIKEARRAY4

Edition Notes

The Strike Array 4 User Manual includes a description, safety precautions, installation, programming, operation and maintenance instructions for the Strike Array 4 as of the release date of this edition.

Trademarks

Chauvet, Chauvet Professional, the Chauvet logo, STRIKE, and STRIKE Array are registered trademarks or trademarks of Chauvet & Sons, LLC (d/b/a Chauvet and Chauvet Lighting) in the United States and other countries. Other company and product names and logos referred to herein may be trademarks of their respective companies.

Copyright Notice

The works of authorship contained in this manual, including, but not limited to, all designs, text, and images are owned by Chauvet.

© **Copyright 2026 Chauvet & Sons, LLC. All rights reserved.**

Electronically published by Chauvet in the United States of America.

Manual Use

Chauvet authorizes its customers to download and print this manual for professional information purposes only. Chauvet expressly prohibits the usage, copy, storage, distribution, modification, or printing of this manual or its content for any other purpose without written consent from Chauvet.

Document Printing

For best results, print this document in color, on letter size paper (8.5 x 11 in), double-sided. If using A4 paper (210 x 297 mm), configure the printer to scale the content accordingly.

Intended Audience

Any person installing, operating, and/or maintaining this product should completely read through the guide that shipped with the product, as well as this manual, before installing, operating, or maintaining this product.

Disclaimer

Chauvet believes that the information contained in this manual is accurate in all respects. However, Chauvet assumes no responsibility and specifically disclaims any and all liability to any party for any loss, damage, or disruption caused by any errors or omissions in this document, whether such errors or omissions result from negligence, accident, or any other cause. Chauvet reserves the right to revise the content of this document without any obligation to notify any person or company of such revision, however, Chauvet has no obligation to make, and does not commit to make, any such revisions.

Document Revision

Go to www.chauvetprofessional.com for the latest version.

Revision	Date	Description
7	03/2026	Updated dimensions.

TABLE OF CONTENTS

1. Before You Begin	1
What Is Included	1
Claims	1
Text Conventions	1
Symbols	1
Safety Notes.....	2
FCC Statement of Compliance	3
Expected LED Lifespan.....	3
2. Introduction	4
Features	4
Product Overview.....	4
Product Dimensions	5
3. Setup	6
AC Power	6
AC Plug	6
Power Linking.....	6
Remote Device Management.....	6
USB Software Update	7
Force Upload.....	7
Mounting	8
Orientation.....	8
Rigging	8
Procedure.....	8
Product Mounting Diagram	8
Multi-Product Mounting	9
Multi-Product Mounting Diagram	9
Mounting Products Attached in Series	10
Vertical Mounting Stability	11
4. Operation	12
Control Panel Description	12
Control Options	12
Programming.....	12
Passcode	12
Menu Map	12
DMX Configuration.....	13
Control Personalities	13
Starting Address.....	14
Control Channel Assignments and Values.....	14
Standalone Configuration.....	15
Static Color.....	15
Automatic Program	15
Configuration Settings.....	15
Red Shift	15
Master Slave	15
Dimmer Mode.....	15
Pulse Width Modulation	15
Display Back Light.....	15
Key Lock	15
Product Information.....	15
Temperature.....	15

Factory Reset.....	15
Error Codes.....	16
5. Maintenance.....	17
Product Maintenance	17
Torque Measurements	17
Vacuum Test Measurements	17
6. Technical Specifications	18
Contact Us	19
Warranty & Returns.....	19

Before You Begin

1. Before You Begin

What Is Included

- Strike Array 4
- Seetronic Powerkon IP65 power cable
- Omega bracket with mounting hardware
- Quick Reference Guide

Claims

Carefully unpack the product immediately and check the container to make sure all the parts are in the package and are in good condition.




If the box or the contents (the product and included accessories) appear damaged from shipping, or show signs of mishandling, notify the carrier immediately, not Chauvet. Failure to report damage to the carrier immediately may invalidate a claim. In addition, keep the box and contents for inspection.

For other issues, such as missing components or parts, damage not related to shipping, or concealed damage, file a claim with Chauvet within 7 days of delivery.

Text Conventions

Convention	Meaning
1–512	A range of values
50/60	A set of values of which only one can be chosen
Settings	A menu option not to be modified
<ENTER>	A key to be pressed on the product's control panel

Symbols

Symbol	Meaning
	Critical installation, configuration, or operation information. Not following these instructions may make the product not work, cause damage to the product, or cause harm to the operator.
	Important installation or configuration information. The product may not function correctly if this information is not used.
	Useful information.



Any reference to data or power connections in this manual assumes the use of Seetronic IP-rated cables.



The term “DMX” used throughout this manual refers to the USITT DMX512-A digital data transmission protocol.

Connection of the control signal: DMX line

- The product has XLR sockets for DMX input and output.
- **Notice:** This control circuit is isolated and belongs to the Class 2 data port. The control circuit has a cumulative leakage current of less than 3.5 mA.

Safety Notes

Read all the following safety notes before working with this product. These notes contain important information about the installation, usage, and maintenance of this product.



This product contains no user-serviceable parts. Any reference to servicing in this User Manual will only apply to properly trained, certified technicians. Do not open the housing or attempt any repairs.



All applicable local codes and regulations apply to proper installation of this product.

- The luminaire is intended for professional use only.
- The luminaire should be positioned so that prolonged staring into the luminaire at a distance closer than 7.5 ft (2.3 m) is not expected.
- If the external flexible cable or cord of this luminaire is damaged, it shall be replaced by a special cord or cord exclusively available from the manufacturer or its service agent.
- The light source contained in this luminaire shall only be replaced by the manufacturer or its service agent or a similar qualified person.
- **CAUTION:**
 - This product's housing may be hot when operating. Mount this product in a location with adequate ventilation, at least 20 in (50 cm) from adjacent surfaces.
 - When transferring the product from extreme temperature environments, (e.g., cold truck to warm humid ballroom) condensation may form on the internal electronics of the product. To avoid causing a failure, allow the product to fully acclimate to the surrounding environment before connecting it to power.
 - Flashing light is known to trigger epileptic seizures. User must comply with local laws regarding notification of strobe use.
- **ALWAYS:**
 - Disconnect from power before cleaning the product or replacing the fuse.
 - When using an IP65-rated product in an outdoor environment, use IP65- (or higher) rated power and data cable.
 - Replace and secure IP-rated protective covers to all power, data, USB, or other ports when not in use.
 - Replace the fuse with the same type and rating.
 - Use a safety cable when mounting this product overhead.
 - Connect this product to a grounded and protected circuit.
- **DO NOT:**
 - Open this product. It contains no user-serviceable parts.
 - Look at the light source when the product is on.
 - Leave any flammable material within 20 cm of this product while operating or connected to power.
 - Connect this product to a dimmer or rheostat.
 - Operate this product if the housing, lenses, or cables appear damaged.
 - Submerge this product (adhere to standards for the published IP rating). Regular outdoor operation is fine.
 - Permanently install outdoors in locations with extreme environmental conditions. This includes, but is not limited to:
 - Exposure to a marine/saline environment (within 3 miles of a saltwater body of water).
 - Locations where normal temperatures exceed the temperature ranges in this manual.
 - Locations that are prone to flooding or being buried in snow.
 - Other areas where the product will be subject to extreme radiation or caustic substances.
- **ONLY** use the handles or the hanging/mounting brackets to carry this product.
- The maximum ambient temperature is 113 °F (45 °C). Do not operate this product at higher temperatures.
- The minimum startup temperature is -4°F (-20°C). Do not start the product at lower temperatures.
- To eliminate unnecessary wear and improve its lifespan, during periods of non-use completely disconnect the product from power via breaker or by unplugging it.
- In the event of a serious operating problem, stop using immediately.



If this Chauvet product requires service, contact Chauvet Technical Support.

Before You Begin

FCC Statement of Compliance

This device complies with Part 15 Part B of the FCC rules. Operation is subject to the following two conditions:

1. This device may not cause harmful interference, and
2. This device must accept any interference received, including interference that may cause undesired operation.

This equipment has been tested and found to comply with the limits for a Class B digital device, pursuant to Part 15 of the FCC Rules. These limits are designed to provide reasonable protection against harmful interference in a residential installation. This equipment generates uses and can radiate radio frequency energy and, if not installed and used in accordance with the instructions, may cause harmful interference to radio communications. However, there is no guarantee that interference will not occur in a particular installation. If this equipment does cause harmful interference to radio or television reception, which can be determined by turning the equipment off and on, the user is encouraged to try to correct the interference by one or more of the following measures:

- Reorient or relocate the receiving antenna.
- Increase the separation between the equipment and receiver.
- Connect the equipment into an outlet on a circuit different from that to which the receiver is connected.
- Consult the dealer or an experienced radio/TV technician for help.

Any changes or modifications not expressly approved by the party responsible for compliance could void the user's authority to operate the equipment.

Expected LED Lifespan

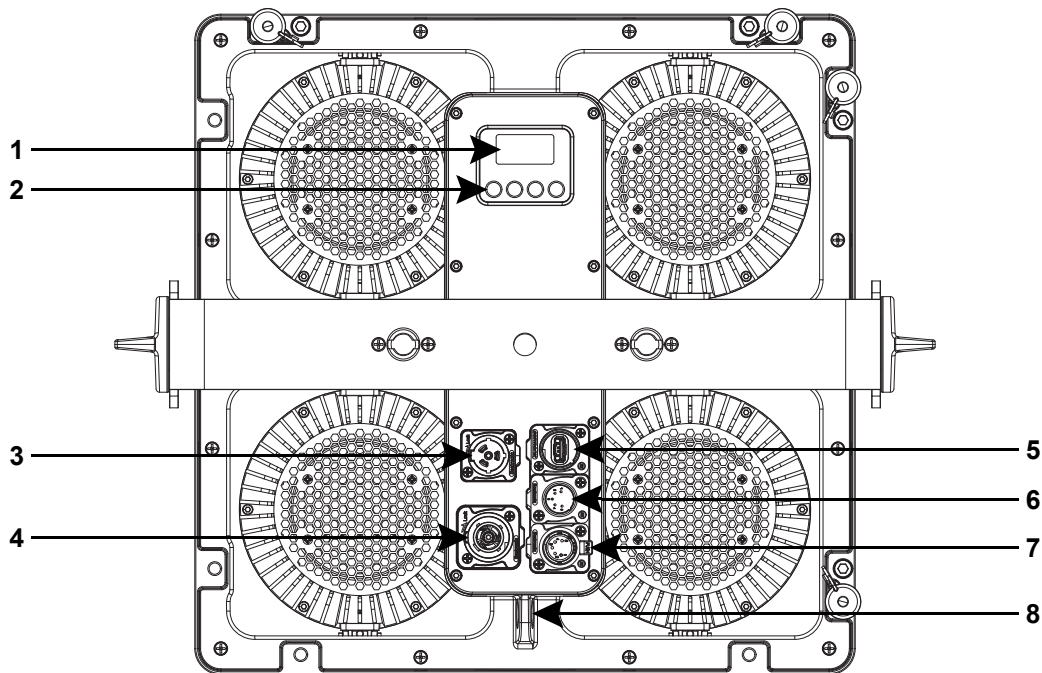
Over time, use and heat will gradually reduce LED brightness. Clustered LEDs produce more heat than single LEDs, contributing to shorter lifespans if always used at full intensity. The average LED lifespan is 40,000 to 50,000 hours. To extend LED lifespan, maintain proper ventilation around the product, and limit the overall intensity.

2. Introduction

Features

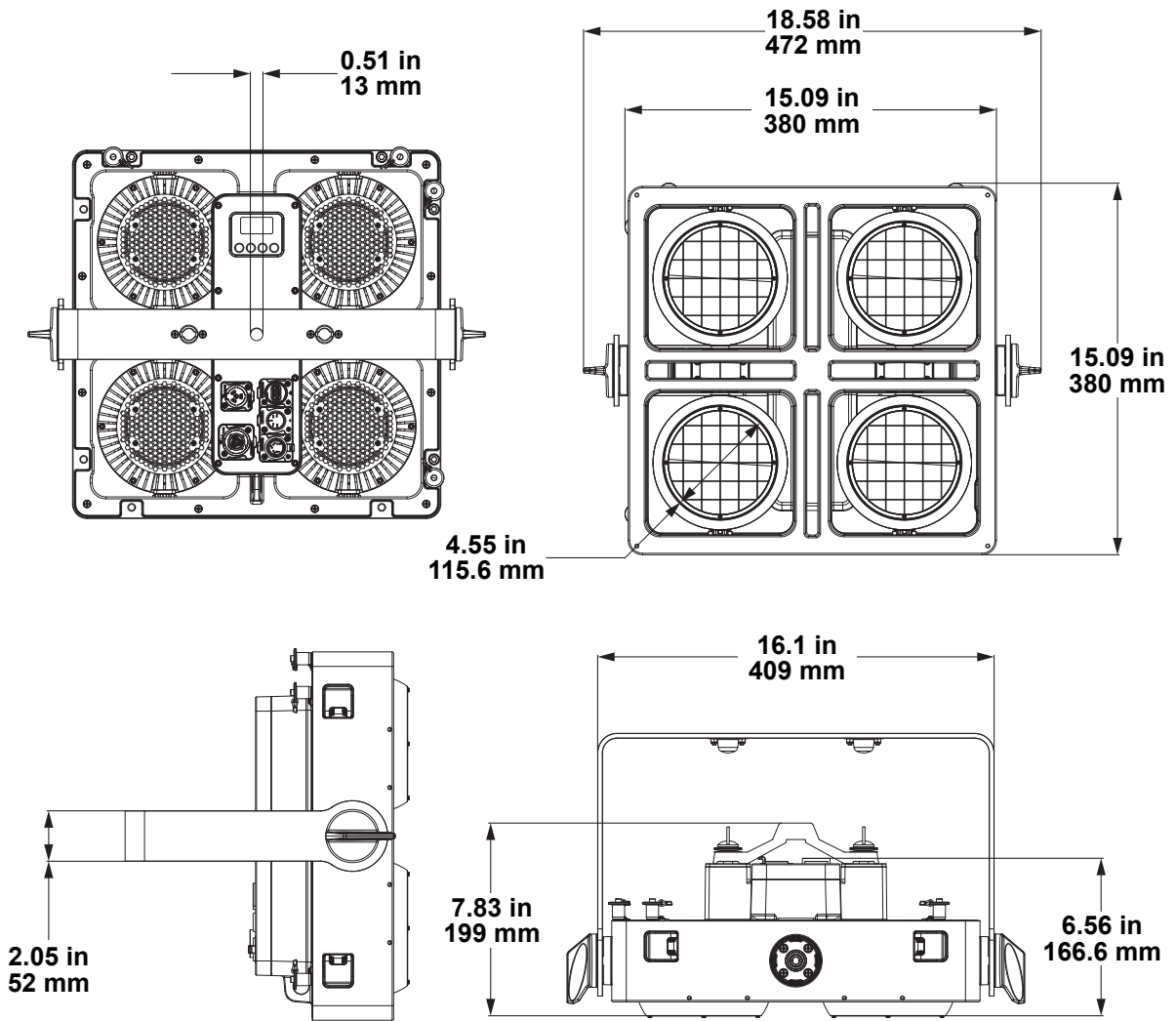
- Intense 4 pod blinder/strobe rated IP65 for all-weather use
- Emulated “red shift” to mimic incandescent fixtures perfectly
- Individual pan (or tilt depending on mount orientation) of each head to allow for directional adjustment of light output
- Innovative interlocking system to connect multiple Strike Array 4s and Strike Array 2s together
- Multiple mounting locations and re-positionable yoke with ¼ turn adapters for creative and convenient rigging options
- 16-bit dimming control for smooth, perfect fades
- Strobe functionality for high-impact effects on the fly
- Easy to use OLED display
- Adjustable Pulse Width Modulation (PWM) and RDM (Remote Device Management) for added flexibility

Product Overview



#	Name	#	Name
1	Display menu	5	USB type A port
2	Menu buttons	6	5-pin DMX in
3	Seetronic Powerkon in	7	5-pin DMX out
4	Seetronic Powerkon out	8	Safety loop

Product Dimensions



3. Setup

AC Power

The Strike Array 4 has an auto-ranging power supply and it can work with an input voltage range of 100 to 240 VAC, 50/60 Hz.

To determine the product's power requirements (circuit breaker, power outlet, and wiring), use the current value listed on the label affixed to the product's back panel, or refer to the product's specifications chart. The listed current rating indicates the product's average current draw under normal conditions.



- **Always connect the product to a protected circuit (a circuit breaker or fuse). Ensure the product has an appropriate electrical ground to avoid the risk of electrocution or fire.**
- **To eliminate unnecessary wear and improve its lifespan, during periods of non-use completely disconnect the product from power via breaker or by unplugging it.**



Never connect the product to a rheostat (variable resistor) or dimmer circuit, even if the rheostat or dimmer channel serves only as a 0 to 100% switch.

AC Plug

The Strike Array 4 comes with a power input cord terminated with a Seetronic Powerkon A connector on one end and an Edison plug on the other end (U.S. market). If the power input cord that came with your product has no plug, or if you need to change the plug, use the table below to wire the new plug.

Connection	Wire (U.S.)	Wire (Europe)	Screw Color
AC Live	Black	Brown	Yellow or Brass
AC Neutral	White	Blue	Silver
AC Ground	Green/Yellow	Green/Yellow	Green

Power Linking

This product comes with a power input cord. Power-linking cables are available from Chauvet for purchase. It is possible to power link Strike Array 4 products. See the table below for the current draw at each voltage and frequency:

	100 V, 60 Hz	120 V, 60 Hz	208 V, 60 Hz	230 V, 50 Hz	240 V, 50 Hz
Current Draw	2.44 A	2.01 A	1.18 A	1.07 A	1.03 A

Never exceed 12 A on a single circuit. Power-linking cables can be purchased separately

Remote Device Management

Remote Device Management, or RDM, is a standard for allowing DMX-enabled devices to communicate bi-directionally along existing DMX cabling. Check the DMX controller's User Manual or with the manufacturer as not all DMX controllers have this capability. The Strike Array 4 supports RDM protocol that allows feedback to make changes to menu map options.

USB Software Update

The Strike Array 4 allows for software updates with a USB device using the built-in USB port. To update the software using a USB flash drive, do the following:

1. Power on the product, and plug the flash drive into the USB port.
2. Once the flash drive has been detected, the message “**Update Firmware**” will be displayed. Press <ENTER>. If a different message appears on the display, search for the updated software in the main menu (**Update Firmware**) and select from **Only This Unit**, **Multiple Fixture**, or **Other Fixture Type**. A list of the updated software files will be displayed.
3. Select the file that needs to be uploaded. The message “**Are you sure?**” will be displayed. Press <ENTER>.



If the selected file is incorrect, the upgrade will fail, and the display will go back to the main interface. Repeat steps 1–3 using the correct file.

4. If the selected file is correct, the upgrade will start. **DO NOT** turn off the power or disconnect the USB during the process. USB update can take several minutes to complete.
5. When the update is completed, the fixture will automatically reboot.
6. Go to **Information** on the product’s menu map and confirm the firmware revision.
7. When the boot-up process is finished, restart the product.



- **Place the .chl file in the root directory of the USB drive.**
- **The product’s USB port supports up to 32GB capacity and only works with FAT32 file format.**

The “**Other Fixture Type**” option can only be selected for connected products compatible with the Upload 03 (the first 2 digits of the item code must be 03).



Turning off the power, removing the USB, or not setting the fixture to the correct protocol during the update can cause partial or total firmware failure in the targeted fixture(s). Please refer to [Force Upload](#) section to fix firmware failure issues.

Force Upload

A Force Upload is done whenever a software update fails due to accidental removal of the USB flash drive, incorrect control protocol, or loss of power during a regular software update process.



- **A Force Upload process requires a target fixture (the fixture that needs a Force Upload and a main fixture (the fixture that controls the upload process).**
- **The Force Upload process can only be done one target fixture at a time.**

To do a Force Upload, follow the instructions below:

1. Link the target fixture to the main fixture via a DMX 5-pin connection. Ensure that the target fixture is turned off.
2. Turn on the main fixture and set its protocol to **DMX512**.
3. Plug the flash drive into the USB-C port of the main fixture.
4. Go to Upgrade Firmware on the menu map.
5. Choose between **Multiple Fixture** and **Other Fixture Type**. Press <ENTER>.
 - **Multiple Fixture:** Both the target fixture and main fixture are from the same product line (e.g., 2 Strike Array 4 fixtures).
 - **Other Fixture Type:** The target fixture and main fixture are from different product series (e.g., a Strike Array 4 as the target fixture and a Maverick Silens 2 Profile as the main fixture).
6. Select the file that needs to be uploaded. The message “**Are you sure?**” will appear on the screen. Press <ENTER>. Turn on the target fixture within 1–2 seconds of pressing <ENTER>. The display on the target fixture should remain off.
 - a. The main fixture will show the update progress (0–100%).
 - b. The target fixture’s display will turn on, and a notification “<UPDATE>” will appear on the screen.



The timing of when the target fixture’s display will turn on varies from fixture to fixture.

7. **DO NOT** turn off power or remove the USB flash drive. Once the software is done uploading, the target fixture will automatically reboot.
8. Go to the target fixture’s main menu and confirm that the firmware version has been updated.
9. Reboot the target fixture.

Mounting

Before mounting the product, read and follow the safety recommendations indicated in the [Safety Notes](#).

Orientation

Always mount this product in a safe position, making sure there is adequate room for ventilation, configuration, and maintenance.

Rigging

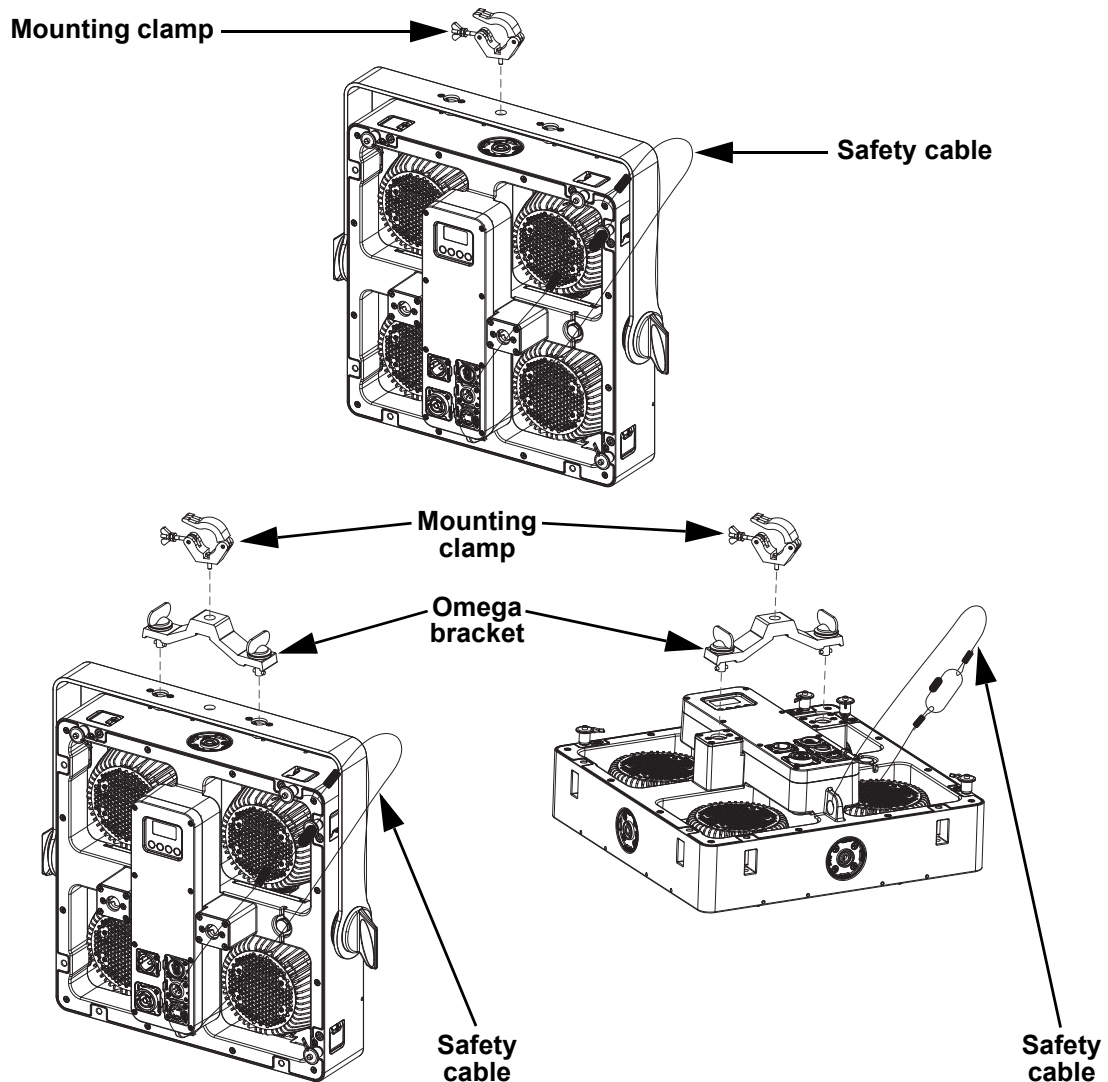
Chauvet recommends using the following general guidelines when mounting this product.

- Before deciding on a location for the product, make sure there is easy access to the product for maintenance and programming purposes.
- Make sure that the structure and attachment points can support the weight before hanging the product (see the [Technical Specifications](#)).
- When mounting the product overhead, always use a safety cable. Mount the product securely to a rigging point, whether an elevated platform or a truss.
- When rigging the product onto a truss, use a mounting clamp of appropriate weight capacity.

Procedure

The Strike Array 4 comes with a bracket to which the user can directly attach mounting clamps (sold separately). Make sure the clamps are capable of supporting the weight of this product. Use at least two mounting points per product. For the Chauvet Professional line of mounting clamps, go to <http://www.trusst.com/products>.

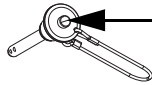
Product Mounting Diagram



Multi-Product Mounting

The Strike Array 4 has an interlocking system to connect multiple Strike Array 4 or Strike Array 2 products together, vertically or horizontally. Make sure the mounting clamps are capable of supporting the weight of the product. For our Chauvet line of mounting clamps, go to <http://trusst.com/productcategory/truss-clamps/>.

Multi-Product Mounting Diagram

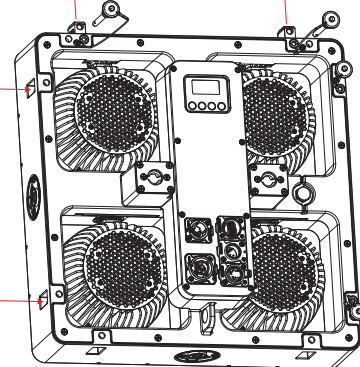
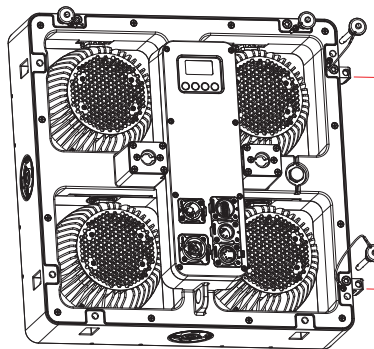
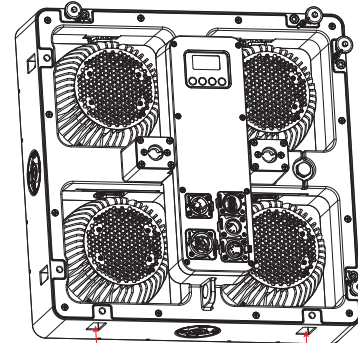
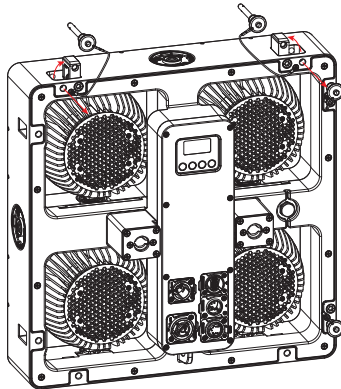


Latch button

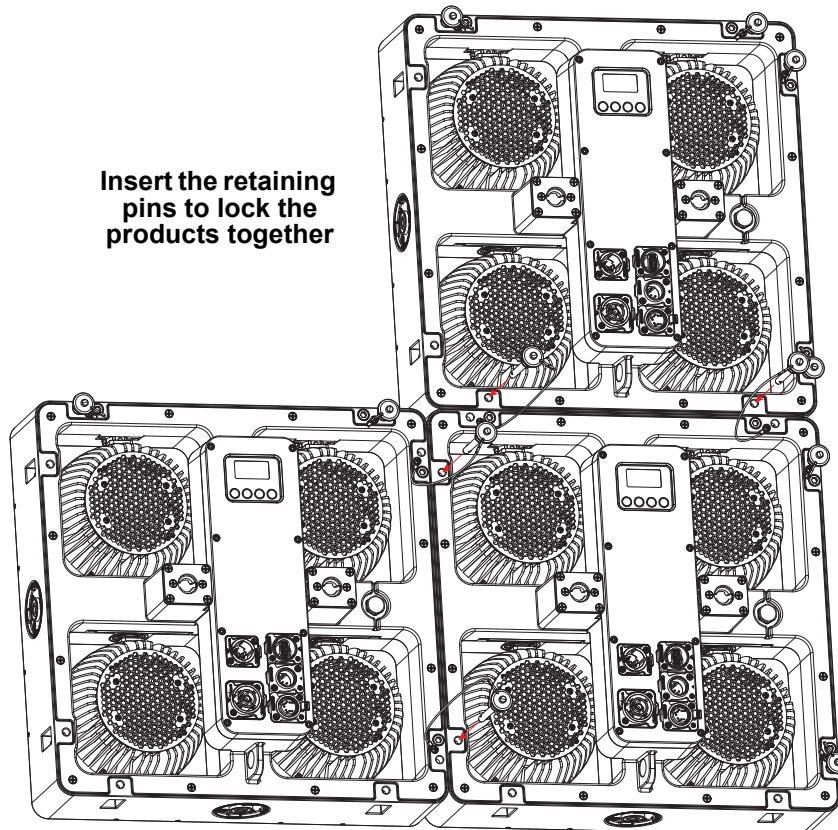
Press and hold the latch button to remove or insert the retaining pins

Remove the retaining pins to release the integrated hanging hardware

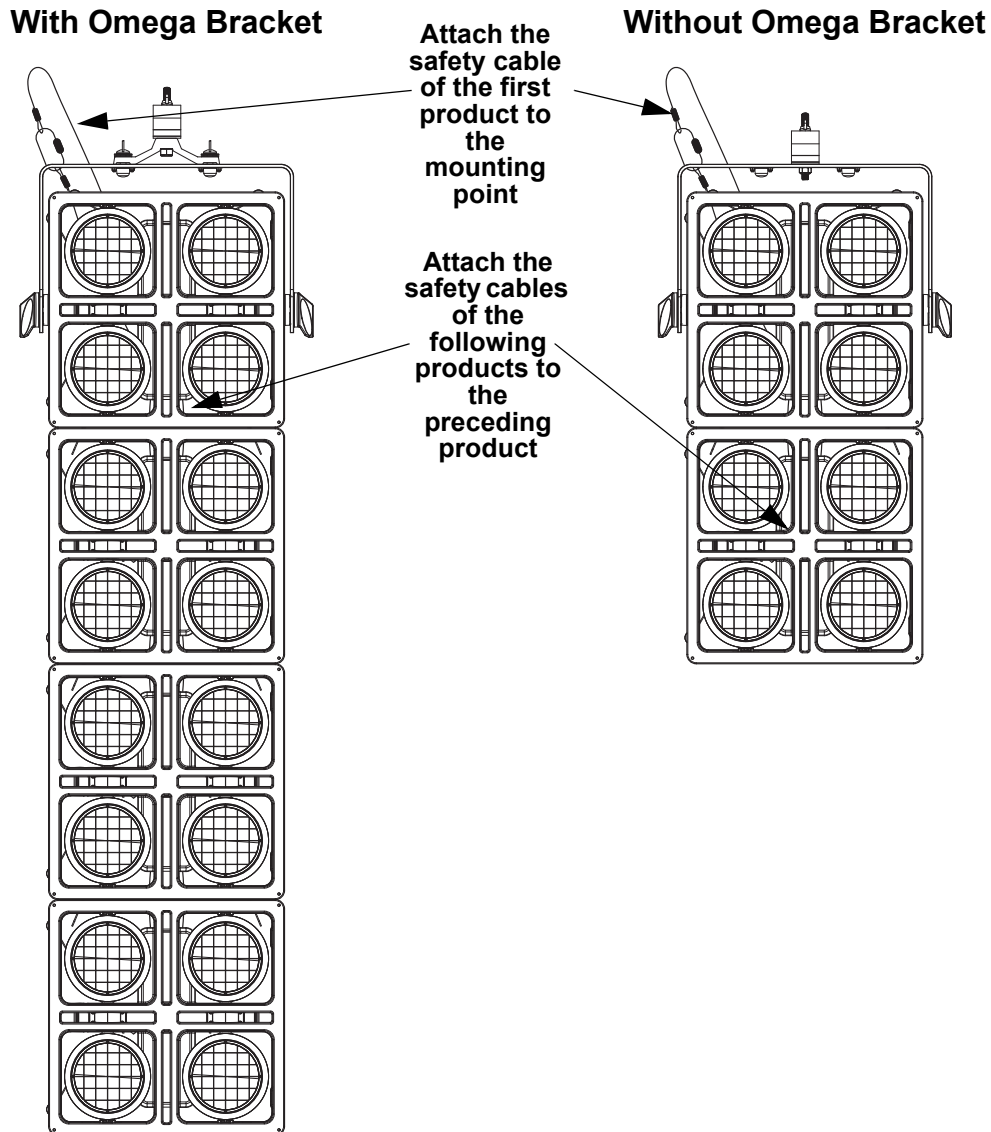
Insert the integrated hanging hardware into the opening of the next product (vertically or horizontally)



Insert the retaining pins to lock the products together



Mounting Products Attached in Series



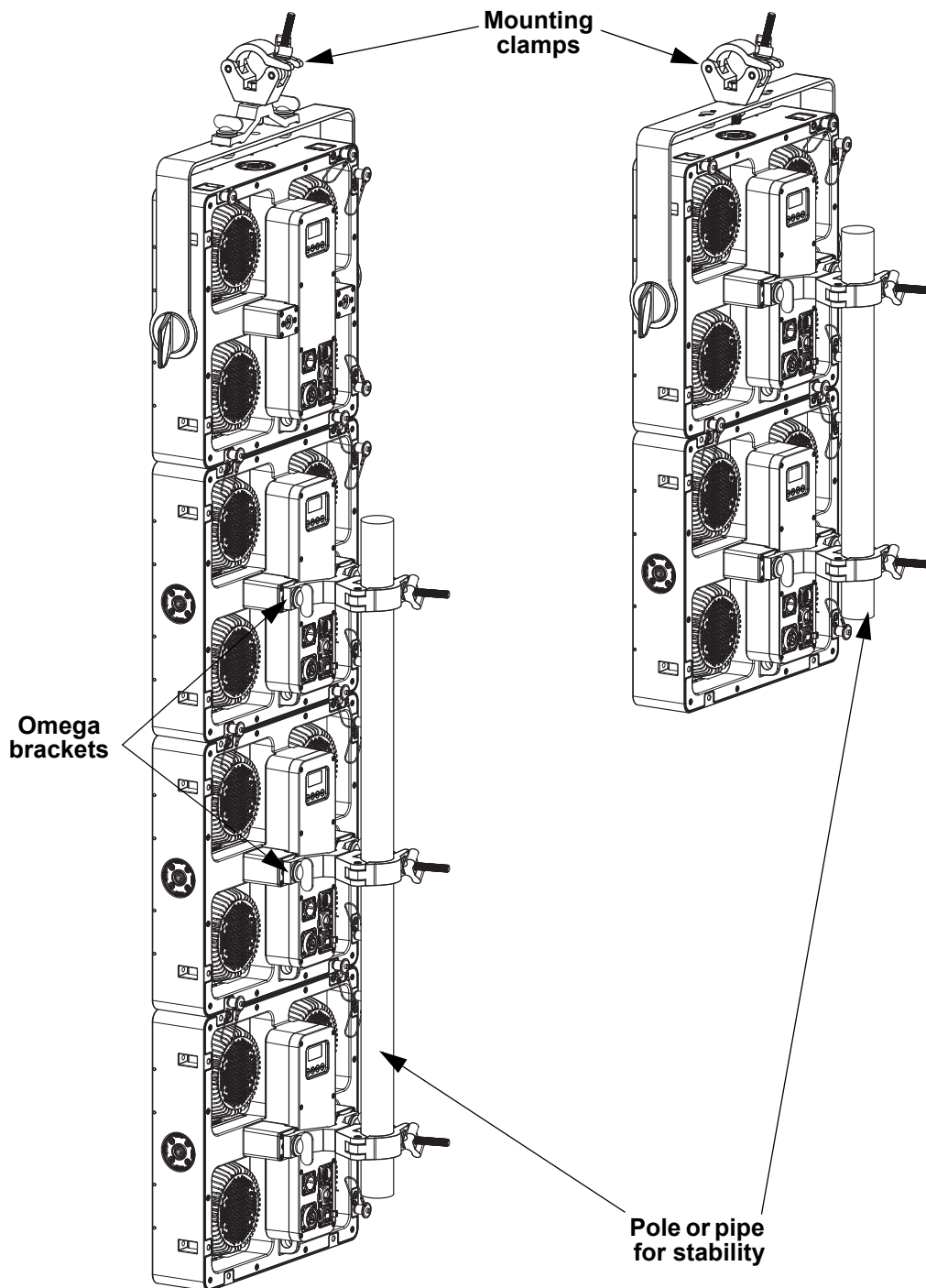
The Strike Array 4 maximum vertical hanging load capacity is 80 kg. Please refer to the chart below for the weights of individual Strike Array fixtures. The weights of cables and other equipment connected to or mounted on the fixtures must be accounted for when calculating the vertical hanging load.

Fixture	Hanging Weight (each)
STRIKE Array 1	3.0 kg
STRIKE Array 1 Driver	2.9 kg
STRIKE Array 2	8.0 kg
STRIKE Array 4	13.0 kg
STRIKE Array 2C	9.4 kg
STRIKE Array 4C	15.4 kg
STRIKE Array Ultra	15.0 kg
STRIKE Bolt 1C	8.7kg

Setup

Vertical Mounting Stability

When mounting products attached in series, use omega brackets in the back position to create a spine. This will prevent any motion which may damage the products.



4. Operation

Control Panel Description

Button	Function
<MENU>	Exits from the current menu or function
<UP>	Navigates upwards through the menu list or increases the numeric value when in a function
<DOWN>	Navigates downwards through the menu list or decreases the value when in a function
<ENTER>	Enables the currently displayed menu or sets the selected value into the selected function

Control Options

Set the Strike Array 4 starting address in the **001–512** DMX range. This enables control of up to 39 products in the 13-channel **13 Ch** personality.

Programming

Refer to the Menu Map to understand the menu options. The menu map shows the main level and a variable number of programming levels for each option.

- To go to the desired main level, press <MENU> repeatedly until the option shows on the display. Press <ENTER> to select. This will take you to the first programming level for that option.
- To select an option or value within the current programming level, press <UP> or <DOWN> until the option shows on the display. Press <ENTER> to select. In this case, if there is another programming level, you will see that first option, or you will see the selected value.
- Press <MENU> repeatedly to exit to the previous main level.

Passcode

After being prompted to enter the passcode, press <UP>, <DOWN>, <UP>, <DOWN>, <ENTER>.

Menu Map

Refer to the Strike Array 4 product page on www.chauvetprofessional.com for the latest menu map.

Main Level	Programming Levels		Description
Start Address	001–512*		Selects starting address (*highest channel restricted to personality chosen)
DMX Channel	1 Ch		1-channel: Dimmer
	3 Ch		3-channel: Dimmer, red shift, dimmer speed mode
	4 Ch		4-channel: White 1, white 2, white 3, white 4
	5 Ch		5-channel: Dimmer, red shift, strobe, auto programs, dimmer speed mode
	6 Ch		6-channel: White 1, white 2, white 3, white 4, red shift, dimmer speed mode
	10 Ch		10-channel: 16-bit dimmer, red shift, strobe, white 1, white 2, white 3, white 4, auto programs, dimmer speed mode
Static	Dimmer	000–255	Sets the intensity of the output
	Strobe		Selects the strobe frequency
Auto Show	Auto 1–6	Speed 001–100	Selects automatic programs and auto program speed
Red Shift	On		Enables/disables red shift (amber LEDs imitate lamp when dimming)
	Off		
Master/Slave	Master		Master mode
	Slave		Slave mode

Operation

Main Level	Programming Levels		Description
Dimmer Mode	Off		Linear dimmer
	Dimmer 1		Fast dimmer curve
	Dimmer 2		Medium dimmer curve
	Dimmer 3		Slow dimmer curve
LED Frequency	600Hz		Selects the PWM output frequency
	1200Hz		
	2000Hz		
	4000Hz		
	25KHz		
Back Light	10S		Turns off display backlight after 10 seconds of inactivity
	30S		Turns off display backlight after 30 seconds of inactivity
	2Min		Turns off display backlight after 2 minutes of inactivity
	Always On		Display backlight always on
Key Lock	On		Locks display (password: <UP>, <DOWN>, <UP>, <DOWN>, <ENTER>)
	Off		
Information	Fixture Hours	--- H	Shows total hours the product has been powered on
	LED Hours	--- H	Shows the total hours the LED lights have been on
	Version	V_._	Shows installed software version
	UID	-----	Shows product UID
Temperature	LED1:	-- °C	Individual pod temperature
	LED2:		
	LED3:		
	LED4:		
Update Firmware	Only This Unit	-----CHL	Selects an update file for this product, or shows "No such file!"
		...	
	Multiple Units	-----CHL	Selects an update file for this and connected Strike Array 4 products, or shows "No such file!"
		...	
	Other Fixture Type	-----CHL	Selects an update file for other connected products, or shows "No such file!"
		...	
Factory Reset	No		Reset to factory defaults
	Yes		



The "Other Fixture Type" option under Update Firmware can only be selected for connected products compatible with the Upload 03 (the first 2 digits of the item code must be 03).

DMX Configuration

Use control configurations to operate the product with a DMX controller.

Control Personalities

To set the control personality:

1. Go to the **DMX Channel** main level.
2. Select the desired personality, from **1 Ch, 3 Ch, 4 Ch, 5 Ch, 6 Ch, 10 Ch, 13 Ch**.



- See the [Starting Address](#) section for the highest starting address you can select for each personality.
- Make sure that the starting addresses on the various products do not overlap due to the new personality setting.

Starting Address

Each product will respond to a unique starting address from the controller. All products with the same starting address will respond in unison. To set the starting address:

1. Go to the **Start Address** main level.
2. Select the starting address (**1–512**).

Channels	Highest Address
1	512
3	510
4	509
5	508
6	507
10	503
13	500

Control Channel Assignments and Values

1	3	4	5	6	10	13	Function	Value	Percent/Setting
1	1	–	1	–	1	1	Dimmer	000 ⇔ 255	0–100%
–	–	–	–	–	2	2	Dimmer Fine	000 ⇔ 255	0–100%
–	2	–	2	5	3	–	Red Shift	000 ⇔ 000 001 ⇔ 255	On Off
–	–	–	3	–	4	11	Strobe	000 ⇔ 010 011 ⇔ 132 133 ⇔ 255	No function Strobe all pods, slow to fast Random strobe, slow to fast
–	–	1	–	1	5	3	White 1	000 ⇔ 255	0–100%
–	–	–	–	–	–	4	Amber 1	000 ⇔ 255	0–100%
–	–	2	–	2	6	5	White 2	000 ⇔ 255	0–100%
–	–	–	–	–	–	6	Amber 2	000 ⇔ 255	0–100%
–	–	3	–	3	7	7	White 3	000 ⇔ 255	0–100%
–	–	–	–	–	–	8	Amber 3	000 ⇔ 255	0–100%
–	–	4	–	4	8	9	White 4	000 ⇔ 255	0–100%
–	–	–	–	–	–	10	Amber 4	000 ⇔ 255	0–100%
–	–	–	4	–	9	12	Auto Programs	000 ⇔ 010 011 ⇔ 040 041 ⇔ 080 081 ⇔ 120 121 ⇔ 160 161 ⇔ 200 201 ⇔ 240 241 ⇔ 255	No function Auto 1 (slow to fast) Auto 2 (slow to fast) Auto 3 (slow to fast) Auto 4 (slow to fast) Auto 5 (slow to fast) Auto 6 (slow to fast) No function
–	3	–	5	6	10	13	Dimmer Speed Mode*	000 ⇔ 051 052 ⇔ 101 102 ⇔ 152 153 ⇔ 203 204 ⇔ 255	Current dimmer speed mode Dimmer speed mode off (linear) Dimmer speed mode 1 (fastest) Dimmer speed mode 2 Dimmer speed mode 3 (slowest)



*Hold desired dimmer speed value for 3 seconds, then release. This changes the dimmer speed setting in the menu.

Operation

Standalone Configuration

Static Color

To run the Strike Array 4 on a static setting:

1. Go to the **Static** main level.
2. Select from **Dimmer** or **Strobe**.
3. Increase or decrease the value from **000–255**.

Automatic Program

To run an automatic program:

1. Go to the **Auto Show** main level.
2. Select from **Auto 1–6**.
3. Increase or decrease the **Speed** from **001–100**.

Configuration Settings

Red Shift

With red shift enabled, the amber LEDs will dim on an inverse curve to imitate a lamp. To enable or disable the red shift function:

1. Go to the **Red Shift** main level.
2. Select from **On** or **Off**.

Master Slave

To set the Strike Array 4 product to master or slave mode:

1. Go to the **Master/Slave** main level.
2. Select from **Master** (sends control signal) or **Slave** (receives control signal).



- **Configure all the slave products before connecting the master to the daisy chain.**
- **Never connect a DMX controller to a DMX string configured for Master/Slave operation because the controller may interfere with the signals from the master.**
- **Do not connect more than 31 slaves to the master.**

Dimmer Mode

To select the dimmer mode:

1. Go to the **Dimmer Mode** main level.
2. Select from **Off** (linear dimmer) or **Dimmer 1–3** (fast to slow).

Pulse Width Modulation

To set the PWM frequency:

1. Go to the **LED Frequency** main level.
2. Select from **600Hz**, **1200Hz**, **2000Hz**, **4000Hz**, or **25KHz**.

Display Back Light

To select how long a period of inactivity before the display automatically turns off:

1. Go to the **Back Light** main level.
2. Select from **10S** (10 seconds), **30S** (30 seconds), **2Min** (2 minutes), or **Always On**.

Key Lock

To lock or unlock the control panel:

1. Go to the **Settings** main level.
2. Select the **Key Lock** option.
3. Select **On** (locks control panel) or **Off** (control panel stays unlocked).



When the key lock is activated, the product will prompt for the passcode in order to access the menu. The passcode is <UP>, <DOWN>, <UP>, <DOWN>, <ENTER>.

Product Information

To view the product information, go to the **Information** main level.

Temperature

To view the temperature (in °C) of the LED pods, go to the **Temperature** main level.

Factory Reset

To reset the product to factory default settings:

1. Go to the **Factory Reset** main level.
2. Select from **No** (cancel) or **Yes** (reset).

Error Codes

See the table below for error codes and recommended solutions:

Error Code	Possible Reason	Potential Solution
Temperature shows -40°C	The thermistor is not welded properly	Repair or replace the thermistor PCB
	The temperature control wire is disconnected or has a poor connection	Check the wire connection
Temperature shows 125°C	The thermistor is not welded properly	Repair or replace the thermistor PCB
	The temperature control connector has a short circuit	Check the wire connector
No such file!	USB has poor connection	Replug the USB
	USB internal wires have poor connection	Change the USB
	No upgrade file in the USB	Check the files in the USB
Model error!	Error reading a file	Check if the content of the file is correct

5. Maintenance

Product Maintenance

Dust build-up reduces light output performance and can cause overheating. This can lead to reduction of the light source's life and/or mechanical wear. To maintain optimum performance and minimize wear, clean all lighting products at least twice a month. However, be aware that usage and environmental conditions could be contributing factors to increase the cleaning frequency.

To clean the product, follow the instructions below:

1. Unplug the product from power.
2. Wait until the product is at room temperature.
3. Use a vacuum (or dry compressed air) and a soft brush to remove dust collected on the external surface/vents.
4. Clean all transparent surfaces with a mild soap solution, ammonia-free glass cleaner, or isopropyl alcohol.
5. Apply the solution directly to a soft, lint free cotton cloth or a lens cleaning tissue.
6. Softly drag any dirt or grime to the outside of the transparent surface.
7. Gently polish the transparent surfaces until they are free of haze and lint.



Always dry the transparent surfaces carefully after cleaning them.

Torque Measurements

To maintain the IP rating when reassembling the product, use the given torque measurements for each of the following screws and bolts:

- Power, USB and DMX Connectors: 12 Kgf.cm, 10.15 lbf.in / Tolerance: 1 Kgf.cm, or 0.868 lbf.in
- Back Cover: 18 Kgf.cm, 15.62 lbf.in / Tolerance: 1 Kgf.cm, or 0.868 lbf.in
- Top Cover: 15 Kgf.cm, 13.02 lbf.in / Tolerance: 1 Kgf.cm, or 0.868 lbf.in

Vacuum Test Measurements

Use the IP Tester from Chauvet Professional to ensure the product has been reassembled correctly by following the information below:

- Method: Positive
- Test Pressure (kPa): 40
- Test Duration (seconds): 30
- PASS State leak pressure (kPa): <0.5

6. Technical Specifications

Dimensions and Weight

Length	Width	Height	Weight
18.58 in (472 mm)	15.09 in (308 mm)	15.09 in (308 mm)	28.7 lb (13 kg)

Note: Dimensions in inches are rounded.

Power

Power Supply Type	Range	Voltage Selection
Switching (internal)	100 to 240 VAC, 50/60 Hz	Auto-ranging

Parameter	100 V, 60 Hz	120 V, 60 Hz	208 V, 60 Hz	230 V, 50 Hz	240 V, 50 Hz
Consumption	243 W	241 W	244 W	245 W	247 W
Operating Current	2.44 A	2.01 A	1.18 A	1.07 A	1.03 A
Power linking current (products)	13.6 A (5 products)	13.6 A (6 products)	13.6 A (11 products)	13.6 A (12 products)	13.6 A (12 products)

Power I/O	U.S./Worldwide	UK/Europe
Power Input Connector	Seetronic Powerkon IP65	Seetronic Powerkon IP65
Power Output Connector	Seetronic Powerkon IP65	Seetronic Powerkon IP65
Power Cord plug	Edison (U.S.)	Local Plug

Light Source

Type	Color	Quantity	Power	Current	Lifespan
LED	Warm white	192	1.33 W	0.709 A	50,000 hours
LED	Amber	20	1.92 W	0.758 A	50,000 hours

Photometrics

Beam Angle	Field Angle	Illuminance @ 5 m
61.5°	100.5°	684 lux

Thermal

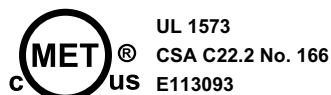
Ambient Temperature Range	Cooling System
-4 °F to 113 °F (-20 °C to 45 °C)	Convection

DMX

I/O Connector	Channel Range
5-pin XLR	1, 3, 4, 5, 6, 10, or 13

Ordering

Product Name	Item Name	Item Code	UPC Number
Strike Array 4	STRIKEARRAY4	03051714	781462220624



RoHS



Contact Us

General Information	Technical Support
Chauvet World Headquarters	
Address: 3360 Davie Rd., Suite 509 Davie, FL 33314 Voice: (954) 577-4455 Fax: (954) 929-5560 Toll Free: (800) 762-1084	Voice: (844) 393-7575 Fax: (954) 756-8015 Email: chauvetcs@chauvetlighting.com Website: www.chauvetdj.com
Chauvet U.K.	
Address: Pod 1 EVO Park Little Oak Drive, Sherwood Park Nottinghamshire, NG15 0EB UK Voice: +44 (0) 1773 511115 Fax: +44 (0) 1773 511110	Email: UKtech@chauvetlighting.eu Website: www.chauvetprofessional.eu
Chauvet Benelux	
Address: Vaartlaan 9 9800 Deinze Belgium Voice: +32 9 388 93 97	Email: BNLtech@chauvetlighting.eu Website: www.chauvetdj.eu
Chauvet France	
Address: 3, Rue Ampère 91380 Chilly-Mazarin France Voice: +33 1 78 85 33 59	Email: FRtech@chauvetlighting.fr Website: www.chauvetdj.eu
Chauvet Germany	
Address: Bruno-Bürgel-Str. 11 28759 Bremen Germany Voice: +49 421 62 60 20	Email: DEtech@chauvetlighting.de Website: www.chauvetdj.eu
Chauvet Mexico	
Address: Av. de las Partidas 34 - 3B (Entrance by Calle 2) Zona Industrial Lerma Lerma, Edo. de México, CP 52000 Voice: +52 (728) 690-2010	Email: servicio@chauvet.com.mx Website: www.chauvetdj.mx

Warranty & Returns

For warranty terms and conditions and return information, please visit our website.

For customers in the United States and Mexico: www.chauvetlighting.com/warranty-registration.

For customers in the United Kingdom, Republic of Ireland, Belgium, the Netherlands, Luxembourg, France, and Germany: www.chauvetlighting.eu/warranty-registration.