

MAVERICK FORCE 2 PROFILE

User Manual



Model ID: MAVERICKFORCE2PROFILE

CHAUVET
PROFESSIONAL

Edition Notes

The Maverick Force 2 Profile User Manual includes a description, safety precautions, installation, programming, operation and maintenance instructions for the Maverick Force 2 Profile as of the release date of this edition.

Trademarks

Chauvet, Chauvet Professional, the Chauvet logo, and Maverick are registered trademarks or trademarks of Chauvet & Sons, LLC (d/b/a Chauvet and Chauvet Lighting) in the United States and other countries. Other company and product names and logos referred to herein may be trademarks of their respective companies.

Copyright Notice

The works of authorship contained in this manual, including, but not limited to, all designs, text, and images are owned by Chauvet.

© Copyright 2024 Chauvet & Sons, LLC. All rights reserved.

Electronically published by Chauvet in the United States of America.

Manual Use

Chauvet authorizes its customers to download and print this manual for professional information purposes only. Chauvet expressly prohibits the usage, copy, storage, distribution, modification, or printing of this manual or its content for any other purpose without written consent from Chauvet.

Document Printing

For best results, print this document in color, on letter size paper (8.5 x 11 in), double-sided. If using A4 paper (210 x 297 mm), configure the printer to scale the content accordingly.

Intended Audience

Any person installing, operating, and/or maintaining this product should completely read through the guide that shipped with the product, as well as this manual, before installing, operating, or maintaining this product.

Disclaimer

Chauvet believes that the information contained in this manual is accurate in all respects. However, Chauvet assumes no responsibility and specifically disclaims any and all liability to any party for any loss, damage or disruption caused by any errors or omissions in this document, whether such errors or omissions result from negligence, accident or any other cause. Chauvet reserves the right to revise the content of this document without any obligation to notify any person or company of such revision, however, Chauvet has no obligation to make, and does not commit to make, any such revisions.

Document Revision

Go to www.chauvetprofessional.com for the latest version.

Revision	Date	Description
8	09/2024	Added acoustic info and error codes

TABLE OF CONTENTS

1. Before You Begin	1
What Is Included.....	1
Claims.....	1
Text Conventions.....	1
Symbols.....	1
Safety Notes	2
FCC Statement of Compliance.....	3
RF Exposure Warning for North America, and Australia.....	3
Expected LED Lifespan	3
2. Introduction	4
Description.....	4
Features	4
Product Overview	5
Product Dimensions	6
3. Setup	7
AC Power	7
AC Plug.....	7
Fuse Replacement.....	7
Remote Device Management.....	7
USB Software Update	8
Mounting.....	9
Orientation	9
Rigging.....	9
Procedure	9
Signal Connections.....	10
Control Personalities.....	10
DMX Linking	10
Art-Net™ Connection.....	10
sACN Connection	10
Connection Diagram	10
4. Operation	11
Touchscreen Control Panel	11
Control Panel Description.....	11
Battery Powered Display	11
Home Screen.....	11
Control Panel Lock	11
Passcode.....	11
Technician Mode	11
Menu Map.....	12
Control Configuration.....	17
Control Mode	17
Control Personalities.....	17
Starting Address	17

Network Setup	17
IP Mode	17
Universe	17
Manual IP Address	17
Subnet Mask	17
Control Channel Assignments and Values	18
Settings Configuration	22
Pan Reverse	22
Tilt Reverse.....	22
Screen Reverse	22
Pan Angle	22
Tilt Angle.....	22
Blackout on Movement	22
Touchscreen Calibration.....	22
Touchscreen Lock	22
Swap Pan and Tilt.....	22
WDMX Reset.....	23
Display Backlight Timer	23
Loss of Data.....	23
Fan Mode.....	23
Dimmer Curve.....	23
Pulse Width Modulation	23
LED Power.....	23
Minimum Zoom Focus	23
Preset Selection.....	24
Preset Synchronization.....	24
USB Update.....	24
Reset Function.....	24
Factory Reset	24
Test Mode.....	25
Auto Test	25
Manual Test.....	25
System Information.....	25
Zero Adjust Mode	25
Web Server.....	26
Gobo Wheels.....	27
Gobo Dimensions	27
Gobo Replacement.....	28
Error Codes	29
5. Maintenance.....	32
Product Maintenance.....	32
Gobo Maintenance	32
Transporting on Truss or Racks	33
6. Technical Specifications	34
Contact Us	36
Warranty & Returns	36

Before You Begin

1. Before You Begin

What Is Included

- Maverick Force 2 Profile
- Seetronic Powerkon IP65 power cable
- 2 Omega Brackets with mounting hardware
- Quick Reference Guide

Claims

Carefully unpack the product immediately and check the container to make sure all the parts are in the package and are in good condition.




If the box or the contents (the product and included accessories) appear damaged from shipping, or show signs of mishandling, notify the carrier immediately, not Chauvet. Failure to report damage to the carrier immediately may invalidate the claim. In addition, keep the box and contents for inspection.

For other issues, such as missing components or parts, damage not related to shipping, or concealed damage, file a claim with Chauvet within 7 days of delivery.

Text Conventions

Convention	Meaning
1–512	A range of values
50/60	A set of values of which only one can be chosen
Settings	A menu option not to be modified
<ENTER>	A key to be pressed on the product's control panel

Symbols

Symbol	Meaning
	Critical installation, configuration, or operation information. Not following these instructions may make the product not work, cause damage to the product, or cause harm to the operator.
	Important installation or configuration information. The product may not function correctly if this information is not used.
	Useful information.

The term “DMX” used throughout this manual refers to the USITT DMX512-A digital data transmission protocol.

Connection of the control signal: DMX line

- The product has XLR sockets for DMX input and output.
- **Notice: This control circuit is isolated and belongs to the Class 2 data port.**

The control circuit has a cumulative leakage current of less than 3.5 mA.



Safety Notes

Read all the following safety notes before working with this product. These notes contain important information about the installation, usage, and maintenance of this product.



This product contains no user-serviceable parts. Any reference to servicing in this User Manual will only apply to properly trained, certified technicians. Do not open the housing or attempt any repairs.



All applicable local codes and regulations apply to proper installation of this product.

- The luminaire is intended for professional use only.
- The luminaire should be positioned so that prolonged staring into the luminaire at a distance closer than 25.59 ft (7.8 m) is not expected.
- If the external flexible cable or cord of this luminaire is damaged, it shall be replaced by a special cord or cord exclusively available from the manufacturer or its service agent.
- The light source contained in this luminaire shall only be replaced by the manufacturer or its service agent or a similar qualified person.
- **CAUTION:**
 - This product's housing may be hot when operating. Mount this product in a location with adequate ventilation, at least 20 in (50 cm) from adjacent surfaces.
 - When transferring the product from extreme temperature environments, (e.g., cold truck to warm humid ballroom) condensation may form on the internal electronics of the product. To avoid causing a failure, allow the product to fully acclimate to the surrounding environment before connecting it to power.
 - Flashing light is known to trigger epileptic seizures. User must comply with local laws regarding notification of strobe use.
- **ALWAYS:**
 - Disconnect from power before cleaning the product or replacing the fuse.
 - Replace the fuse with the same type and rating.
 - Use a safety cable when mounting this product overhead.
 - Connect this product to a grounded and protected circuit.
- **DO NOT:**
 - Open this product. It contains no user-serviceable parts.
 - Look at the light source when the product is on.
 - Leave any flammable material within 50 cm of this product while operating or connected to power.
 - Connect this product to a dimmer or rheostat.
 - Operate this product if the housing, lenses, or cables appear damaged.
 - Operate this product outdoors or in any location where dust, excessive heat, water, or humidity may affect it (adhere to standards for the published IP rating).
- **ONLY** use the handles or the hanging/mounting brackets to carry this product.
- The maximum ambient temperature is 113 °F (45 °C). Do not operate this product at higher temperatures.
- The minimum startup temperature is -4°F (-20°C). Do not start the product at lower temperatures.
- The minimum ambient temperature is -22°F (-30°C). Do not operate the product at lower temperatures.
- To eliminate unnecessary wear and improve its lifespan, during periods of non-use completely disconnect the product from power via breaker or by unplugging it.
- In the event of a serious operating problem, stop using immediately.



If a Chauvet product requires service, contact Chauvet Technical Support.

Before You Begin

FCC Statement of Compliance

This device complies with Part 15 Part B of the FCC rules. Operation is subject to the following two conditions:

1. This device may not cause harmful interference, and
2. This device must accept any interference received, including interference that may cause undesired operation.

This equipment has been tested and found to comply with the limits for a Class B digital device, pursuant to Part 15 of the FCC Rules. These limits are designed to provide reasonable protection against harmful interference in a residential installation. This equipment generates uses and can radiate radio frequency energy and, if not installed and used in accordance with the instructions, may cause harmful interference to radio communications. However, there is no guarantee that interference will not occur in a particular installation. If this equipment does cause harmful interference to radio or television reception, which can be determined by turning the equipment off and on, the user is encouraged to try to correct the interference by one or more of the following measures:

- Reorient or relocate the receiving antenna.
- Increase the separation between the equipment and receiver.
- Connect the equipment into an outlet on a circuit different from that to which the receiver is connected.
- Consult the dealer or an experienced radio/TV technician for help.

Any changes or modifications not expressly approved by the party responsible for compliance could void the user's authority to operate the equipment.

RF Exposure Warning for North America, and Australia

Warning! This equipment complies with FCC radiation exposure limits set forth for an uncontrolled environment. This equipment should be installed and operated with a minimum distance of 20cm between the radiator and the user. This transmitter must not be co-located or operating in conjunction with any other antenna or transmitter.

Expected LED Lifespan

Over time, use and heat will gradually reduce LED brightness. Clustered LEDs produce more heat than single LEDs, contributing to shorter lifespans if always used at full intensity. The average LED lifespan is 40,000 to 50,000 hours. To extend LED lifespan, maintain proper ventilation around the product, and limit the overall intensity.

2. Introduction

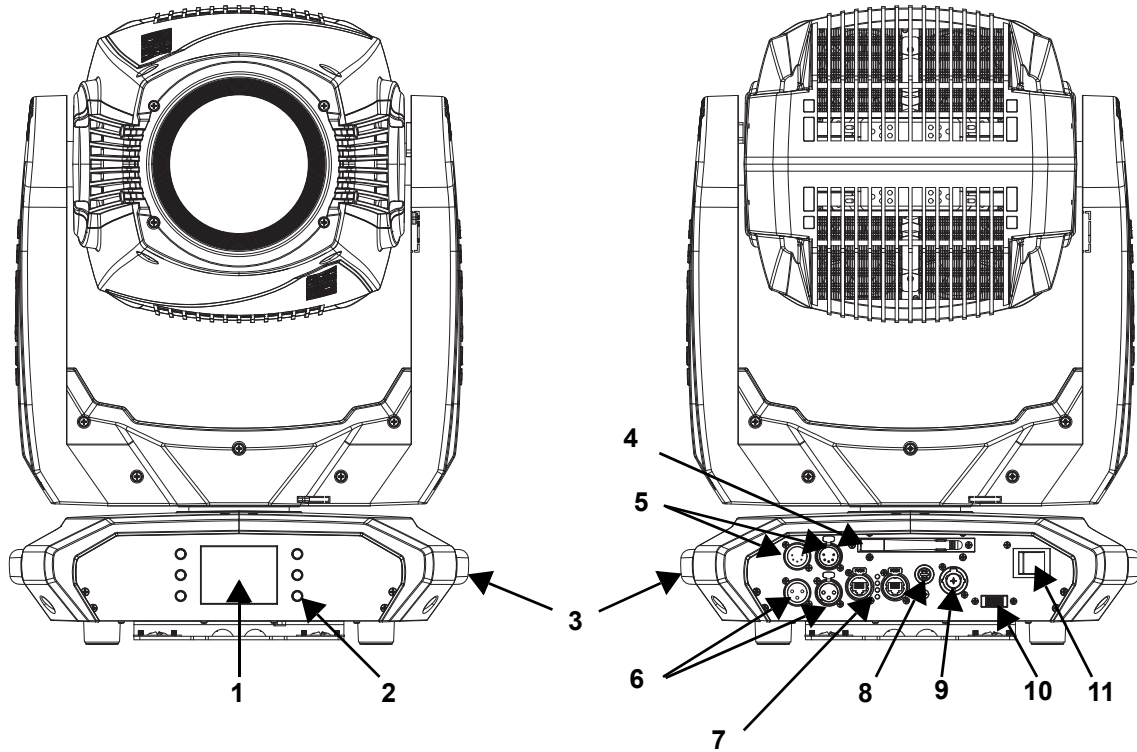
Description

The Maverick Force 2 Profile is a lightweight, tour-grade moving head with a big presence. The powerful product features an output of over 20,000 lumens and an artillery of speedy effects housed in a deceptively compact frame, under 60lbs. The Maverick Force 2 Profile features CMY + CTO color-mixing, a color wheel with a CTB and CRI option, and an extensive zoom range of 7° to over 50° that maintains a flat field of focus even when fully wide. A custom-built framing system containing 4 dual axis shutters with a 120-degree field of rotation, motorized iris, focus, zoom, and frost capabilities, alongside a 5-facet rotating prism give an abundance of tools for beam shaping. Two rotating glass gobo wheels featuring gobos created in collaboration with leading designers can be stacked on top of one another for dynamic effects. Control as desired with DMX, sACN, Art-Net, or WDMX.

Features

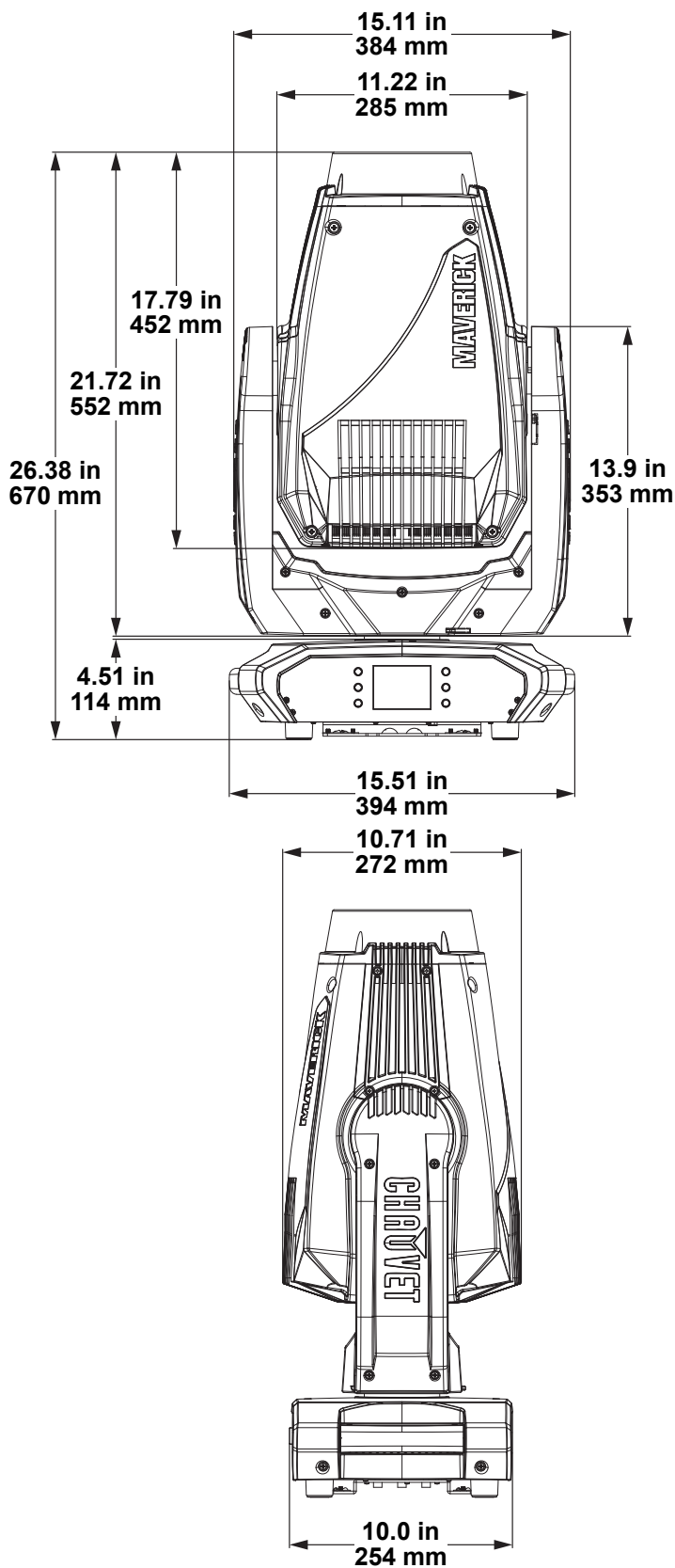
- Fully featured, compact and lightweight 580 W LED yoke profile fixture including CMY + CTO color mixing, a 4-blade framing shutter system with rotation, a color wheel, 8:1 zoom, a 5-facet prism wheel, and 2 rotating gobo wheels
- 16-bit dimming of master dimmer for smooth control of fades
- Variable CMY + CTO color mixing system to create a wide pallet of colors
- CRI and CTB filters on color wheel for added flexibility
- Two rotating, indexing and interchangeable slot and lock gobo wheels
- DMX, WDMX, sACN, and Art-Net for full flexibility of control options
- RDM control over DMX for fixture reporting
- 6.3° to 55.9° zoom range for variable beam sizes
- Iris, 5-facet prism and frost for beam control
- TRUE1-compatible power input
- Three setup menu presets and preset sync for cross loading to multiple like fixtures for easy shop setup
- USB slot for software uploads
- Battery backup display with auto-rotate depending on fixture orientation
- Fail-safe Ethernet connectivity allows for data to pass even if fixture power is lost

Product Overview



#	Name	#	Name
1	LCD display	7	Ethernet ports
2	Menu buttons	8	Fuse holder
3	Carry handle	9	Power in
4	WDMX antenna	10	USB-A port
5	5-pin DMX in/out	11	Power switch
6	3-pin DMX in/out		

Product Dimensions



3. Setup

AC Power

The Maverick Force 2 Profile has an auto-ranging power supply and it can work with an input voltage range of 100 to 240 VAC, 50/60 Hz.

To determine the product's power requirements (circuit breaker, power outlet, and wiring), use the current value listed on the label affixed to the product's back panel, or refer to the product's specifications chart. The listed current rating indicates the product's average current draw under normal conditions.



- **Always connect the product to a protected circuit (a circuit breaker or fuse). Make sure the product has an appropriate electrical ground to avoid the risk of electrocution or fire.**
- **To eliminate unnecessary wear and improve its lifespan, during periods of non-use completely disconnect the product from power via breaker or by unplugging it.**



Never connect the product to a rheostat (variable resistor) or dimmer circuit, even if the rheostat or dimmer channel serves only as a 0 to 100% switch.

AC Plug

The Maverick Force 2 Profile comes with a power input cable terminated with a Seetronic Powerkon A connector on one end and an Edison plug on the other end (U.S. market). If the power input cable that came with the product has no plug, or if it is necessary to change the plug, use the table below to wire the new plug.

Connection	Wire (U.S.)	Wire (Europe)	Screw Color
AC Live	Black	Brown	Yellow or Brass
AC Neutral	White	Blue	Silver
AC Ground	Green/Yellow	Green/Yellow	Green

Fuse Replacement

1. Disconnect this product from the power outlet.
2. Using a flat-head screwdriver, unscrew the fuse holder cap from the housing.
3. Remove the blown fuse and replace with another fuse of the same type and rating (F 13 A, 250 V).
4. Screw the fuse holder cap back in place and reconnect power.

Remote Device Management

Remote Device Management, or RDM, is a standard for allowing DMX-enabled devices to communicate bi-directionally along existing DMX cabling. Check the DMX controller's User Manual or with the manufacturer as not all DMX controllers have this capability. The Maverick Force 2 Profile supports RDM protocol that allows feedback to make changes to menu map options.

USB Software Update

The Maverick Force 2 Profile allows for software updates with a USB device using the built-in USB port. To update the software using a USB flash drive, do the following:

1. Power on the product, and plug the flash drive into the USB port.
2. Once the flash drive has been detected, the message **"USB UPDATE"** will be displayed. Select **YES**.
3. The next screen will show the software versions available for this fixture on the USB drive. For multiple versions of the software for the same fixture, use **<UP>** or **<DOWN>** to select the desired version. Press **<ENTER>**.
4. The **"USB UPDATE"** screen will re-appear. Select **YES**.



It is possible to update multiple units with the USB if they are daisy chained via DMX.

5. The upgrade will start. **DO NOT** turn off the power or disconnect the USB while the USB LED is still blinking during the process. The screen display will read: **"USB Update Wait"**. The update can take several minutes to complete.
 - When the USB firmware is done uploading, in some fixtures, the display will change to: **"DO NOT UNPLUG, UPDATING"**.
6. When the update is completed, the fixture will automatically reboot.
7. Go to **Fixture Information** on the product's menu map and confirm the firmware revision.
8. When the boot-up process is finished, restart the product.
 - **Place the .chl file in the root directory of the USB drive.**
 - **The product's USB port supports up to 32GB capacity and only works with FAT32 file format.**



Turning off the power or removing the USB while the USB LED is still blinking during the update will cause partial or total firmware failure in the targeted fixture(s). If this occurs, the user will need the UPLOAD 08 device to fix this. Please contact Chauvet regarding this device.

Setup

Mounting

Before mounting the product, read and follow the safety recommendations indicated in the Safety Notes.

Orientation

Always mount this product in a safe position, making sure there is adequate room for ventilation, configuration, and maintenance.

Rigging

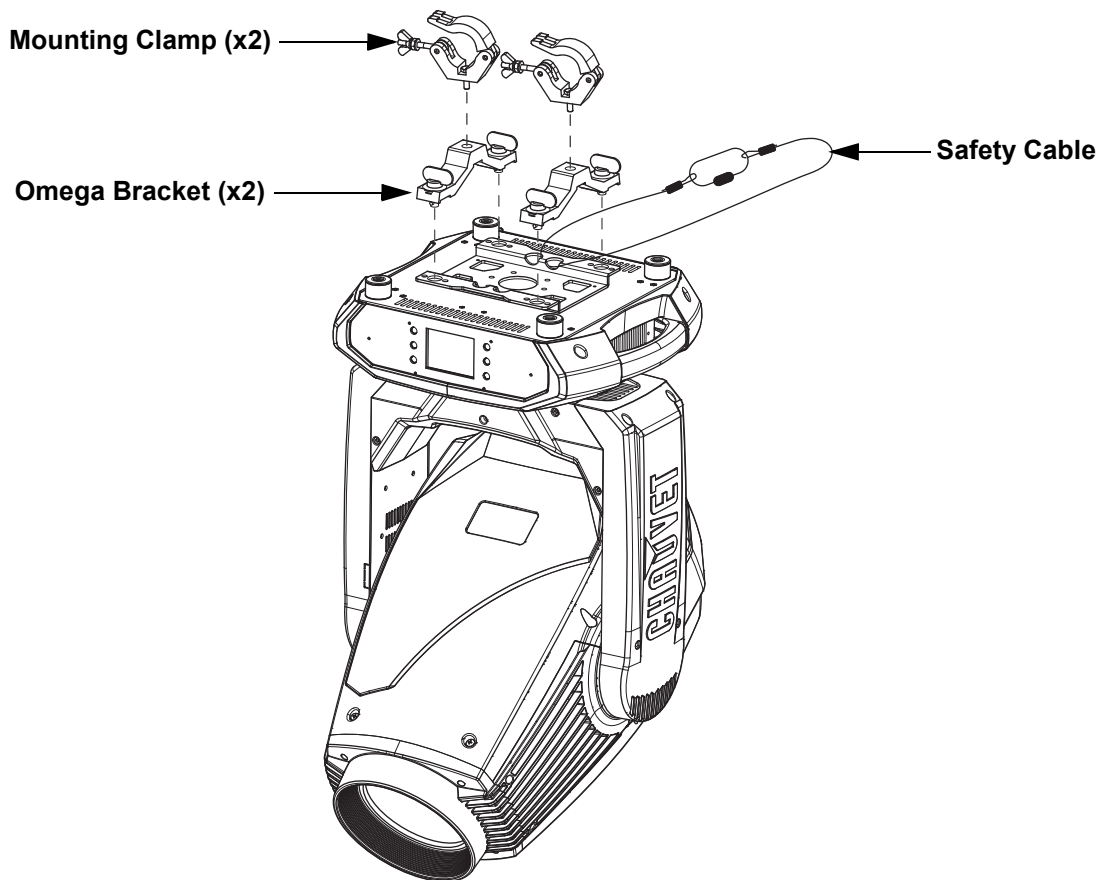
Chauvet recommends using the following general guidelines when mounting this product.

- Before deciding on a location, always make sure there is easy access to the product for maintenance and programming.
- Make sure adequate ventilation is provided around the product.
- Make sure that the structure and attachment points can support the weight before hanging the product (see the [Technical Specifications](#)).
- When mounting the product overhead, always use a safety cable. Mount the product securely to a rigging point, whether an elevated platform or a truss.
- When rigging the product onto a truss, use a mounting clamp of appropriate weight capacity.

Procedure

The Maverick Force 2 Profile comes with 2 Omega brackets to which the user can directly attach mounting clamps (sold separately). Make sure the clamps are capable of supporting the weight of this product. Use at least two mounting points per product. For the Chauvet Professional line of mounting clamps, go to <http://www.trusst.com/products>.

Mounting Diagram



Signal Connections

The Maverick Force 2 Profile can receive a DMX, Art-Net™, or sACN, signal. The Maverick Force 2 Profile has 2 Amphenol XLRnet through ports, and 3-pin / 5-pin DMX in and out ports. If using other compatible products with this product, it is possible to control each individually with a single controller.

Control Personalities

The Maverick Force 2 Profile uses a 3 or 5-pin DMX data connection, WDMX, Art-Net™, or sACN for its 2 control personalities: **Dmx Mode 33 CH** and **Dmx Mode 50 CH**.

- Refer to the [Operation](#) chapter to learn how to configure the Maverick Force 2 Profile to work in these personalities.
- The [Control Channel Assignments and Values](#) section provides detailed information regarding the control personalities.



For more information about DMX standards or the DMX cables needed to link this product to a DMX controller, download the DMX Primer from the Chauvet website: www.chauvetprofessional.com.

DMX Linking

It is possible to link the Maverick Force 2 Profile to a DMX controller using a 3 or 5-pin DMX connection or a WDMX connection. For more information about DMX, read the DMX primer at: https://www.chauvetprofessional.com/wp-content/uploads/2016/06/DMX_Primer.pdf.

Art-Net™ Connection

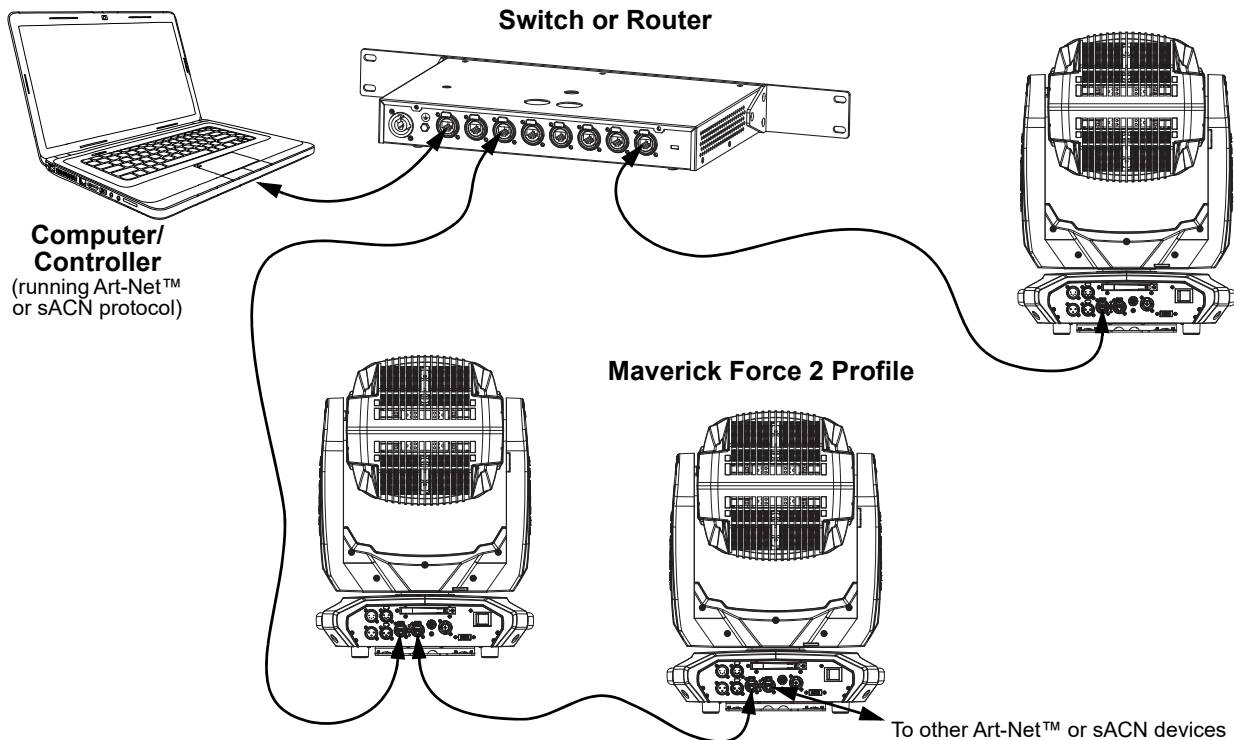
Art-Net™ is an Ethernet protocol that uses TCP/IP which transfers a large amount of DMX512 data using an Amphenol XLRnet RJ45 connection over a large network. An Art-Net™ protocol document is available from www.chauvetprofessional.com.

Art-Net™ designed by and copyright Artistic Licence Holdings Ltd.

sACN Connection

Also known as ANSI E1.31, streaming ACN is an Ethernet protocol that uses the layering and formatting of Architecture for Control Networks to transport DMX512 data over IP or any other ACN-compatible network.

Connection Diagram



The three LED indicators in between the ethernet through ports indicate a connection to a network and activity on that network. They do not indicate whether or not the Maverick Force 2 Profile is receiving a signal from a controller.

4. Operation

Touchscreen Control Panel

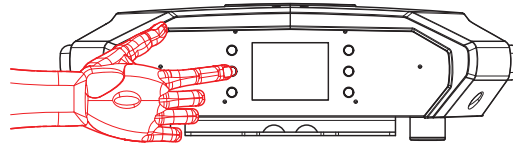
The Maverick Force 2 Profile has a touchscreen display as well as 6 control buttons. Navigate the menu structure by pressing the buttons, touching the images of the buttons on the sides of the display, or touching the desired menu option on the display directly. The touchscreen can be locked and calibrated through the Setup options in the menu. (See [Touchscreen Calibration](#) and [Touchscreen Lock](#).)

Control Panel Description

Button	Name	Function
	<UP>	Navigates upwards through the menu list or increases the numeric value when in a function
	<MENU>	Exits from the current menu or function
	<DOWN>	Navigates downwards through the menu list or decreases the numeric value when in a function
	<LEFT>	Navigates leftwards through the menu list
	<ENTER>	Enables the currently displayed menu or sets the currently selected value into the selected function
	<RIGHT>	Navigates rightwards through the menu list

Battery Powered Display

The Maverick Force 2 Profile has a battery powered display which enables access to the menu when the product is powered off. Press and hold <MENU> until the display activates (approximately 15 seconds).



Home Screen

The Maverick Force 2 Profile has a home screen that shows the current control protocols, personalities, starting addresses, IP addresses, and universes. To see the home screen, press <MENU> repeatedly until it shows on the display. From the home screen, touch any of the displayed control settings to immediately jump to that part of the menu, such as the personality, starting address, or universe, or press <ENTER> to reach the main menu.

Control Panel Lock

The setting locks or unlocks the control panel.

1. Go to the **Settings** main level.
2. Select the **Lock Screen** option.
3. Select **NO** (control panel stays unlocked) or **YES** (locks control panel).



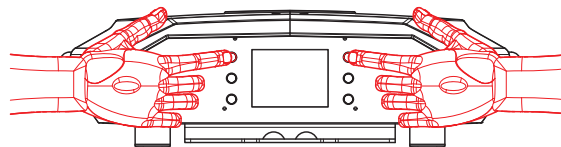
When the control panel lock is activated, the product will prompt for the passcode in order to access the menu. Enter the passcode as described below.

Passcode

After being prompted to enter the passcode, press <UP>, <DOWN>, <UP>, <DOWN>, <ENTER>.

Technician Mode

The technician mode disables the pan and tilt motors, allowing the output of the product to be aimed by hand. To enable the technician mode of the Maverick Force 2 Profile, hold <UP> and <LEFT> while the product is powering on. When the product is turned off and back on, the pan and tilt will return to normal function.



Menu Map

Refer to the Maverick Force 2 Profile product page on www.chauvetprofessional.com for the latest software and menu map.

Main Level	Programming Levels		Description
Address	001–480		Sets the starting address
Network Setup	IP Mode	Manual	Manually set IP address
		DHCP	Network sets IP address
		Static	Product sets IP address
	Universe	000–255 (Art-Net™) 001–256 (sACN)	Sets the universe
	Ip	---'----'----'----	Sets the IP address in Manual mode
	SubMask	---'----'----'----	Sets the Subnet Mask in Manual mode
Personality	Dmx Mode 33 CH	NO	Selects the 33-channel mode
		YES	
	Dmx Mode 50 CH	NO	Selects the 50-channel mode
		YES	
Settings	ControlMode	DMX	Sets the control protocol
		WDMX	
		ArtNet	
		sACN	
	Pan Reverse	NO	Normal pan
		YES	Reversed pan
	Tilt Reverse	NO	Normal tilt
		YES	Reversed tilt
	Screen Reverse	NO	Normal display
		YES	Inverted display
		AUTO	Automatic display orientation
	Pan Angle	540	540° pan range
		360	360° pan range
		180	180° pan range
	Tilt Angle	270	270° tilt range
		180	180° tilt range
		90	90° tilt range
	BL. O. P/T Move	NO	Do not black out while panning/tilting
		YES	Blackout while panning/tilting
	BL. O. Color Move	NO	Do not black out while color wheel moving
YES		Blackout while color wheel moving	
BL. O. Gobo Move	NO	Do not black out while gobo wheels moving	
	YES	Blackout while gobo wheels moving	
Calibration	NO	Cancel calibration	
	YES	Calibrate touchscreen	
Touchscreen Lock	NO	Touch screen enabled	
	YES	Touch screen disabled	

Main Level	Programming Levels	Description	
Settings (cont.)	Lock Screen	NO	Lock the buttons and touch screen. Passcode: 0920
		YES	
	Swap XY	NO	Do not swap pan and tilt
		YES	Pan controls tilt, tilt controls pan
	WDMX Reset	NO	Do not reset WDMX
		YES	Reset WDMX
	Backlight Timer	30S	Display turns off after 30 seconds
		1M	Display turns off after 1 minute
		5M	Display turns off after 5 minutes
		ON	Display stays on
	Loss of Data	Hold	Holds last signal received
		Close	Blacks out fixture
	Fans	Auto	Fan speed according to product temperature
		Full	Fan speed set on high
		ECO	Quiet mode
		TV25	Maintains LED output up to an ambient temperature of 77 °F (25 °C) (TV25) or 95 °F (35 °C) (TV35).
		TV35	When using these fan modes, please set the PWM Options to 6000Hz or 15000Hz to prevent any possible harmonization noise.
	Dimmer Curve	Linear	Set the dimmer curve
		Square	
		I Squa	
SCurve			
Linear2			
PWM Option	600Hz	Sets the Pulse Width Modulation frequency	
	1200Hz		
	4000Hz		
	6000Hz		
	15000Hz		
LED POWER	064–255	Sets the maximum LED output	
Min Zoom Focus	NO	Enables/disables minimum zoom focus	
	YES		
Preset Select	PRESET A	Recorded preset menu options	
	PRESET B		
	PRESET C		
Preset Sync	NO	Allows recorded preset menu options to be transferred to other Maverick Force 2 Profile fixtures in the DMX daisy chain	
	YES		

Main Level	Programming Levels		Description	
Settings (cont.)	USB Update	NO	Enables/disables updating by USB	
		YES		
	Reset Function	Pan/Tilt	NO/YES	Reset individual functions or all functions from start-up
		Iris/Prism		
		Color/CMY/Blade		
Gobo/Gobo Rotate				
Frost				
All				
Factory Settings	NO	Reset to factory default settings		
	YES			
Test	Auto Test		Auto test all functions	
	Manual Test	Pan	000-255	Manually control and test all settings through the control panel
		Pan Fine		
		Tilt		
		Tilt Fine		
		P/T Speed		
		Dimmer		
		Dimmer Fine		
		Shutter		
		Virtual Shaking		
		Cyan		
		Magenta		
		Yellow		
		CTO		
		Color		
		Gobo		
		Gobo Rotate		
		Gobo Index		
		Gobo2		
		Gobo2 Rotate		
		Gobo2 Index		
		Blade1- 1		
		Blade1- 1 Fine		
		Blade1- 2		
		Blade1- 2 Fine		
		Blade2- 1		
		Blade2- 1 Fine		
		Blade2- 2		
		Blade2- 2 Fine		
		Blade3- 1		
		Blade3- 1 Fine		
		Blade3- 2		
		Blade3- 2 Fine		
Blade4- 1				
Blade4- 1 Fine				
Blade4- 2				
Blade4- 2 Fine				

Main Level	Programming Levels		Description	
Test (cont.)	Manual Test (cont.)	Blade Rotate	000–255	Manually control and test all settings through the control panel
		Blade. Rota Fine		
		Focus		
		Focus Fine		
		Focus Auto		
		Zoom		
		Zoom Fine		
		Prism		
		Prism Rotate		
		Iris		
		Frost		
		CMY Macro		
		CMY Macro Speed		
		Special Function		
Information	Fixture Information	Ver	V_	Shows firmware version
		Running Mode	---	Shows current running mode
		DMX Address	---	Shows current starting address
		Temperature	---	Shows current product temperature in °C
		Fixture Hours	-----	Shows number of hours product has been powered on
		Ip	-----	Shows current IP address
		SubMask	-----	Shows current Subnet Mask
		MAC	-----	Shows current MAC address
	Fan Information	head Fan1 Speed	----	Shows speed of head fans in rpm
		head Fan2 Speed	----	
		head Fan3 Speed	----	
		head Fan4 Speed	----	
		Base Fan1 Speed	----	
		Base Fan2 Speed	----	
		Base Fan3 Speed	----	
	Base Fan4 Speed	----		
	Error Information		-----	Shows any errors, or No Error!
	Channel Information	Frequency	---	Shows all current values from input signals, 000–255
		Pan		
		Pan Fine		
		Tilt		
		Tilt Fine		
P/T Speed				
Dimmer				
Dimmer Fine				
Shutter				
Virtual Shaking				
Cyan				
Magenta				

Main Level	Programming Levels		Description
Information (cont.)	Channel Information (cont.)	Yellow	--- Shows all current values from input signals, 000–255
		CTO	
		Color	
		Gobo	
		Gobo Rotate	
		Gobo Index	
		Gobo2	
		Gobo2 Rotate	
		Gobo2 Index	
		Blade1- 1	
		Blade1- 1 Fine	
		Blade1- 2	
		Blade1- 2 Fine	
		Blade2- 1	
		Blade2- 1 Fine	
		Blade2- 2	
		Blade2- 2 Fine	
		Blade3- 1	
		Blade3- 1 Fine	
		Blade3- 2	
		Blade3- 2 Fine	
		Blade4- 1	
		Blade4- 1 Fine	
		Blade4- 2	
		Blade4- 2 Fine	
		Blade Rotate	
		Blade. Rota Fine	
		Focus	
		Focus Fine	
		Focus Auto	
		Zoom	
		Zoom Fine	
		Prism	
Prism Rotate			
Iris			
Frost			
CMY Macro			
CMY Macro Speed			
Special Function			

Operation

Control Configuration

Use control configurations to operate the product with a DMX, Art-Net™, or sACN controller.

Control Mode

The Maverick Force 2 Profile works with wired DMX, WDMX, Art-Net™, and sACN control signals. To select which protocol to use:

1. Go to the **Settings** main level.
2. Select the **ControlMode** option.
3. Select the desired protocol, from **DMX**, **WDMX**, **ArtNet**, or **sACN**.



- See the [WDMX Reset](#) section for further setup of WDMX.
- See the [Network Setup](#) section for further setup of ethernet protocols (Art-Net™ or sACN).

Control Personalities

To set the control personality:

1. Go to the **Personality** main level.
2. Select the desired personality, from **Dmx Mode 33 CH** or **Dmx Mode 50 CH**.



- See the [Starting Address](#) section for the highest selectable starting address for each personality.
- Make sure that the starting addresses on the various products do not overlap due to the new personality setting.

Starting Address

Each product will respond to a unique starting address from the controller. All products with the same starting address will respond in unison. To set the starting address:

1. Go to the **Address** main level.
2. Select the starting address (**001–480**).
 - The highest recommended starting address for **Dmx Mode 33 CH** is **480**.
 - The highest recommended starting address for **Dmx Mode 50 CH** is **463**.

Network Setup

The Network Setup settings control the IP address, subnet mask, and universe of the product.

IP Mode

To choose how the IP address is set:

1. Go to the **Network Setup** main level.
2. Select the **IP Mode** option.
3. Select the desired IP mode, from **Manual** (to set a custom IP address), **DHCP** (the IP address is assigned by the connected network), or **Static** (the product uses a default, preset IP address).

Universe

To assign an Art-Net™ or sACN universe to the Maverick Force 2 Profile:

1. Go to the **Network Setup** main level.
2. Select the **Universe** option.
3. Set the universe, from **000–255** (for Art-Net™) or from **001–256** (for sACN).

Manual IP Address

To set the IP address when the **IP Mode** is set to **Manual**:

1. Go to the **Network Setup** main level.
2. Select the **Ip** option.
3. Set the 4 values of the IP address from **000–255**.

Subnet Mask

To set the subnet mask:

1. Go to the **Network Setup** main level.
2. Select the **SubMask** option.
3. Set the 4 values of the subnet mask from **000–255**.

Control Channel Assignments and Values

33 CH	50 CH	Function	Value	Percent/Setting
1	1	Pan	000 ⇔ 255	0–100%
2	2	Fine Pan	000 ⇔ 255	Fine control (16-bit)
3	3	Tilt	000 ⇔ 255	0–100%
4	4	Fine Tilt	000 ⇔ 255	Fine control (16-bit)
5	5	Pan/Tilt Speed	000 ⇔ 255	Fast to slow
6	6	Dimmer	000 ⇔ 255	0–100%
–	7	Fine Dimmer	000 ⇔ 255	Fine control (16-bit)
7	8	Shutter	000 ⇔ 003	Closed
			004 ⇔ 007	Open
			008 ⇔ 076	Strobe, slow to fast
			077 ⇔ 145	Pulse strobe, slow to fast
			146 ⇔ 215	Random strobe, slow to fast
			216 ⇔ 255	Open
8	9	Virtual Strobe	000 ⇔ 001	No function
			002 ⇔ 128	Shaking strobe, slow to fast
			129 ⇔ 255	Fading shake, slow to fast
9	10	Cyan	000 ⇔ 255	0–100%
10	11	Magenta	000 ⇔ 255	0–100%
11	12	Yellow	000 ⇔ 255	0–100%
12	13	CTO	000 ⇔ 255	0–100%
13	14	Color Wheel	000 ⇔ 006	Open
			007 ⇔ 013	Red
			014 ⇔ 020	Orange
			021 ⇔ 027	Green
			028 ⇔ 034	Magenta
			035 ⇔ 041	Ultraviolet
			042 ⇔ 048	CRI
			049 ⇔ 059	CTB
			060 ⇔ 187	Color wheel indexing
			188 ⇔ 219	Color scroll, fast to slow
			220 ⇔ 223	Stop
224 ⇔ 255	Reverse color scroll, slow to fast			

33 CH	50 CH	Function	Value	Percent/Setting
14	15	Gobo Wheel 1	000 ⇔ 007	Open
			008 ⇔ 015	Gobo 1 (Sail Boats)
			016 ⇔ 023	Gobo 2 (Radial Dot)
			024 ⇔ 031	Gobo 3 (Dots)
			032 ⇔ 039	Gobo 4 (Bolts)
			040 ⇔ 047	Gobo 5 (Shower Glass)
			048 ⇔ 055	Gobo 6 (Ballistic Clouds)
			056 ⇔ 063	Gobo 7 (Four Eyes)
			064 ⇔ 071	Gobo 7 shaking
			072 ⇔ 079	Gobo 6 shaking
			080 ⇔ 087	Gobo 5 shaking
			088 ⇔ 095	Gobo 4 shaking
			096 ⇔ 103	Gobo 3 shaking
			104 ⇔ 111	Gobo 2 shaking
			112 ⇔ 119	Gobo 1 shaking
120 ⇔ 127	Open			
128 ⇔ 191	Gobo scroll, slow to fast			
192 ⇔ 255	Reverse gobo scroll, slow to fast			
15	16	Gobo 1 Rotate	000 ⇔ 063	Rotating gobo index
			064 ⇔ 145	Gobo rotation, fast to slow
			146 ⇔ 149	Stop
			150 ⇔ 231	Reverse gobo rotation, slow to fast
			232 ⇔ 255	Bounce effect, short to long
-	17	Gobo Wheel 1 Indexing	000 ⇔ 255	Fine control (16-bit)
16	18	Gobo Wheel 2	000 ⇔ 007	Open
			008 ⇔ 015	Gobo 1 (Spiral)
			016 ⇔ 023	Gobo 2 (Abstracts)
			024 ⇔ 031	Gobo 3 (Brick Wall)
			032 ⇔ 039	Gobo 4 (Chess)
			040 ⇔ 047	Gobo 5 (Granny Sue)
			048 ⇔ 055	Gobo 6 (Color Weave)
			056 ⇔ 063	Gobo 7 (Indigo Square Breakup)
			064 ⇔ 071	Gobo 7 shaking
			072 ⇔ 079	Gobo 6 shaking
			080 ⇔ 087	Gobo 5 shaking
			088 ⇔ 095	Gobo 4 shaking
			096 ⇔ 103	Gobo 3 shaking
			104 ⇔ 111	Gobo 2 shaking
			112 ⇔ 119	Gobo 1 shaking
120 ⇔ 127	Open			
128 ⇔ 191	Gobo scroll, slow to fast			
192 ⇔ 255	Reverse gobo scroll, slow to fast			
17	19	Gobo 2 Rotate	000 ⇔ 063	Rotating gobo index
			064 ⇔ 145	Gobo rotation, fast to slow
			146 ⇔ 149	Stop
			150 ⇔ 231	Reverse gobo rotation, slow to fast
			232 ⇔ 255	Bounce effect, short to long

33 CH	50 CH	Function	Value	Percent/Setting
-	20	Gobo Wheel 2 Indexing	000 ⇔ 255	Fine control (16-bit)
18	21	Blade 1-1	000 ⇔ 255	0–100%
-	22	Blade 1-1 Fine	000 ⇔ 255	Fine control (16-bit)
19	23	Blade 1-2	000 ⇔ 255	0–100%
-	24	Blade 1-2 Fine	000 ⇔ 255	Fine control (16-bit)
20	25	Blade 2-1	000 ⇔ 255	0–100%
-	26	Blade 2-1 Fine	000 ⇔ 255	Fine control (16-bit)
21	27	Blade 2-2	000 ⇔ 255	0–100%
-	28	Blade 2-2 Fine	000 ⇔ 255	Fine control (16-bit)
22	29	Blade 3-1	000 ⇔ 255	0–100%
-	30	Blade 3-1 Fine	000 ⇔ 255	Fine control (16-bit)
23	31	Blade 3-2	000 ⇔ 255	0–100%
-	32	Blade 3-2 Fine	000 ⇔ 255	Fine control (16-bit)
24	33	Blade 4-1	000 ⇔ 255	0–100%
-	34	Blade 4-1 Fine	000 ⇔ 255	Fine control (16-bit)
25	35	Blade 4-2	000 ⇔ 255	0–100%
-	36	Blade 4-2 Fine	000 ⇔ 255	Fine control (16-bit)
26	37	Frame Rotate	000 ⇔ 255	0–100%
-	38	Frame Fine Rotate	000 ⇔ 255	Fine control (16-bit)
27	39	Focus	000 ⇔ 255	0–100%
-	40	Fine Focus	000 ⇔ 255	Fine control (16-bit)
-	41	Auto Focus	000 ⇔ 010 No function 011 ⇔ 030 0–5 m 031 ⇔ 050 6 m 051 ⇔ 070 7 m 071 ⇔ 090 8 m 091 ⇔ 110 9 m 111 ⇔ 130 10 m 131 ⇔ 150 12.5 m 151 ⇔ 170 15 m 171 ⇔ 190 17.5 m 191 ⇔ 210 20–60 m 211 ⇔ 255 Auto-detect distance	
28	42	Zoom	000 ⇔ 255	0–100%
-	43	Fine Zoom	000 ⇔ 255	Fine control (16-bit)
29	44	Prism	000 ⇔ 004 No function 005 ⇔ 255 Prism effect	
30	45	Prism Rotate	000 ⇔ 127 Rotating prism index 128 ⇔ 189 Prism rotation, fast to slow 190 ⇔ 193 Stop 194 ⇔ 255 Reverse prism rotation, slow to fast	
31	46	Iris	000 ⇔ 063 Big to small 064 ⇔ 127 Auto change, slow to fast 128 ⇔ 191 Slow open, fast close (slow to fast) 192 ⇔ 255 Slow close, fast open (slow to fast)	
32	47	Frost	000 ⇔ 255	0–100%

33 CH	50 CH	Function	Value	Percent/Setting
-	48	CMY Macro	000 ⇔ 009 010 ⇔ 255	No function CMY macro
-	49	CMY Macro Speed	000 ⇔ 255	CMY macro speed, fast to slow
33	50	Control	000 ⇔ 007 008 ⇔ 015 016 ⇔ 023 024 ⇔ 031 032 ⇔ 039 040 ⇔ 047 048 ⇔ 055 056 ⇔ 095 096 ⇔ 103 104 ⇔ 111 112 ⇔ 119 120 ⇔ 127 128 ⇔ 131 132 ⇔ 135 136 ⇔ 143 144 ⇔ 151 152 ⇔ 159 160 ⇔ 167 168 ⇔ 175 176 ⇔ 183 184 ⇔ 191 192 ⇔ 199 200 ⇔ 207 208 ⇔ 215 216 ⇔ 217 218 ⇔ 220 221 ⇔ 225 226 ⇔ 230 231 ⇔ 235 236 ⇔ 240 241 ⇔ 245 246 ⇔ 250 251 ⇔ 255	No function XY blackout C blackout G blackout XY/C blackout XY/G blackout XY/C/G blackout No function X reset Y reset Color reset Gobo wheels and rotation reset High color temperature gobo on High color temperature gobo off Prism reset Framing shutter reset All reset Iris reset Frost reset Zoom reset CMY reset Fan ECO mode Fan full speed Fan auto Fan TV25 mode Fan TV35 mode Iris fast mode Iris smooth mode XY swap on XY swap off Minimum zoom focus on Minimum zoom focus off No function

Settings Configuration

Pan Reverse

To set the orientation of the pan:

1. Go to the **Settings** main level.
2. Select the **Pan Reverse** option.
3. Select from **NO** (normal pan motion), or **YES** (reversed pan motion).

Tilt Reverse

To set the orientation of the tilt:

1. Go to the **Settings** main level.
2. Select the **Tilt Reverse** option.
3. Select from **NO** (normal tilt motion), or **YES** (reversed tilt motion).

Screen Reverse

To set the orientation of the display:

1. Go to the **Settings** main level.
2. Select the **Screen Reverse** option.
3. Select from **NO** (right-side up), **YES** (upside-down), or **AUTO** (changes depending on the orientation of the product).

Pan Angle

To set the maximum angle of the pan:

1. Go to the **Settings** main level.
2. Select the **Pan Angle** option.
3. Select from **540** (540°), **360** (360°), or **180** (180°).

Tilt Angle

To set the maximum angle of the tilt:

1. Go to the **Settings** main level.
2. Select the **Tilt Angle** option.
3. Select from **270** (270°), **180** (180°), or **90** (90°).

Blackout on Movement

To set the Maverick Force 2 Profile to blackout on pan or tilt movement, color wheel movement, or gobo wheel movement:

1. Go to the **Settings** main level.
2. Select the **BL. O. P/T Move** (blackout on pan or tilt movement), **BL. O. Color Move** (blackout on color wheel movement), or **BL. O. Gobo Move** (blackout on gobo wheel movement) option.
3. Select from **NO** (no blackout on selected movement), or **YES** (blackout during the selected movement).

Touchscreen Calibration

To calibrate the touchscreen:

1. Go to the **Settings** main level.
2. Select the **Calibration** option.
3. Select from **NO** (cancel), or **YES** (calibrate).
4. Follow the instructions on the display.

Touchscreen Lock

To lock the touchscreen and limit the display to operation by the menu buttons:

1. Go to the **Settings** main level.
2. Select the **Touchscreen Lock** option.
3. Select from **NO** (do not lock the touchscreen), or **YES** (lock the touchscreen).

Swap Pan and Tilt

To swap the pan and tilt controls for each other:

1. Go to the **Settings** main level.
2. Select the **Swap XY** option.
3. Select from **NO** (do not swap), or **YES** (swap so pan controls tilt and tilt controls pan).

Operation

WDMX Reset

To reset the WDMX connection and allow the Maverick Force 2 Profile to connect to a WDMX transmitter:

1. Go to the **Settings** main level.
2. Select the **WDMX Reset** option.
3. Select from **NO** (do not reset), or **YES** (reset the WDMX connection).



Follow instructions in the manual or guide for the WDMX controller being used to connect it to the receiver in the Maverick Force 2 Profile.

Display Backlight Timer

To set the length of time before an inactive display will turn off:

1. Go to the **Settings** main level.
2. Select the **Backlight Timer** option.
3. Select the length of the backlight timer, from **30S** (30 seconds), **1M** (1 minute), **5M** (5 minutes), or **ON** (always on).

Loss of Data

To set how the product reacts to a loss in control signal data:

1. Go to the **Settings** main level.
2. Select the **Los of Data** option.
3. Select from **Hold** (holds the last values received before signal loss), or **Close** (blacks out the product).

Fan Mode

To set the fan speed mode:

1. Go to the **Settings** main level.
2. Select the **Fans** option.
3. Select the fan mode, from **Auto** (fan speed adjusts to product temperature), **Full** (fan speed at maximum), **ECO** (quiet mode), **TV25** (maintains a consistent LED output up to an ambient temperature of 77 °F [25 °C]), or **TV35** (maintains a consistent LED output up to an ambient temperature of 95 °F [35 °C]).



When using the fan modes TV25 or TV35, please set the PWM Options to 6000Hz or 15000Hz to prevent any possible harmonization noise.

Dimmer Curve

To set the dimmer curve:

1. Go to the **Settings** main level.
2. Select the **Dimmer Curve** option.
3. Select the dimmer curve, from **Linear**, **Square**, **I Squa**, **SCurve** or **Linear2**.

Pulse Width Modulation

To adjust the frequency of the pulse width modulation:

1. Go to the **Settings** main level.
2. Select the **PWM Option** option.
3. Select the frequency, from **600Hz**, **1200Hz**, **4000Hz**, **6000Hz**, or **15000Hz**.

LED Power

To set the maximum power of the LED output:

1. Go to the **Settings** main level.
2. Select the **LED POWER** option.
3. Set the power from **064–255**.

Minimum Zoom Focus

To enable or disable the minimum zoom focus function:

1. Go to the **Settings** main level.
2. Select the **Min Zoom Focus** option.
3. Select from **NO** (disable), or **YES** (enable).

Preset Selection

To select a preset configuration of menu options:

1. Go to the **Settings** main level.
2. Select the **Preset Select** option.
3. Select from **PRESET A** (default), **PRESET B**, or **PRESET C**.



- **Changes to settings automatically save to the currently selected Preset.**
- **If no Preset has been selected, changes to settings save to PRESET A.**
- **After selecting a Preset, the product will restart.**

Preset Synchronization

To transfer saved Presets from one Maverick Force 2 Profile to another:

1. Connect the Maverick Force 2 Profile products to receive the Presets by a DMX daisy chain.
2. Make the Maverick Force 2 Profile with the Presets to transfer the first in the DMX daisy chain.
3. Power on all of the products.
4. Set all of the products to a [Control Mode](#) other than **WDMX**. (**DMX**, **ArtNet**, or **sACN**)
5. On the Maverick Force 2 Profile with the Presets, go to the **Settings** main level.
6. Select the **Preset Sync** option.
7. Select **NO** (to cancel) or **YES** (to transfer the Presets to the connected products).



- **All menu configurations are transferred except for the IP address.**
- **ONLY connect Maverick Force 2 Profile products for this function!**

USB Update

To enable or disable updating the firmware via the USB A port:

1. Go to the **Settings** main level.
2. Select the **USB Update** option.
3. Select from **NO** (disable), or **YES** (enable).



See the [USB Software Update](#) section for the detailed instructions on how to update the Maverick Force 2 Profile software using the USB flash drive.

Reset Function

To reset specific functions or the entire product:

1. Go to the **Settings** main level.
2. Select the **Reset Function** option.
3. Select the functions to reset, from:
 - **Pan/Tilt**
 - **Iris/Prism**
 - **Color/CMY/Blade**
 - **Gobo/Gobo Rotate**
 - **Frost**
 - or
 - **All**
4. Select **NO** (to cancel) or **YES** (to reset the selected functions).

Factory Reset

To reset the product to factory settings:

1. Go to the **Settings** main level.
2. Select the **Factory Reset** option.
3. Select **NO** (to cancel) or **YES** (to reset the product configuration).

Operation

Test Mode

Auto Test

To have the Maverick Force 2 Profile automatically test all functions one after the other:

1. Go to the **Test** main level.
2. Select the **Auto Test** option.

Manual Test

To manually test an individual function of the Maverick Force 2 Profile:

1. Go to the **Test** main level.
2. Select the **Manual Test** option.
3. Select a function to test, from **Pan, Pan Fine, Tilt, Tilt Fine, P/T Speed, Dimmer, Dimmer Fine, Shutter, Virtual Shaking, Cyan, Magenta, Yellow, CTO, Color, Gobo, Gobo Rotate, Gobo Index, Gobo2, Gobo2 Rotate, Gobo2 Index, Blade1- 1, Blade1- 1 Fine, Blade1- 2, Blade1- 2 Fine, Blade2- 1, Blade2- 1 Fine, Blade2- 2, Blade2- 2 Fine, Blade3- 1, Blade3- 1 Fine, Blade3- 2, Blade3- 2 Fine, Blade4- 1, Blade4- 1 Fine, Blade4- 2, Blade4- 2 Fine, Blade Rotate, Blade Rota Fine, Focus, Focus Fine, Focus Auto, Zoom, Zoom Fine, Prism, Prism Rotate, Iris, Frost, CMY Macro, CMY Macro Speed, or Special Function.**
4. Increase or decrease the value of the selected function from **000–255** to test it.

System Information

The information section of the menu displays statistics and the current status of the product's various functions. To view these information sections:

1. Go to the **Information** main level.
2. Select which information to view, from **Fixture Information** (shows the firmware version, running mode, addresses, temperature, and running time), **Fan Information** (shows the speed of the fans in rotations per minute (rpm)), **Error Information** (shows any error or No Error!), or **Channel Information** (shows the current values of all signal input channels).
3. If necessary, scroll up and down to view all information available in the selected option.

Zero Adjust Mode

The Zero Adjust Mode provides fine adjustments for the home position of every moving part in the optical path as well as the pan and tilt movements. To adjust these options and prevent borders showing or reduction of the light output:

1. From the main level screen, press and hold **<MENU>** until the passcode screen appears.
2. Enter the passcode: **0920** and press **<ENTER>**.
3. Select the "zero" position to adjust, from **PAN, TILT, COLOR, GOBO, GOBO ROTATE, GOBO2, GOBO2 ROTATE, FOCUS-GOBO, FOCUS-GOBO2, ZOOM, PRISM, PRISM ROT, IRIS, FROST, CYAN, MAGENTA, YELLOW, CTO, BLADE1- 1, BLADE1- 2, BLADE2- 1, BLADE2- 2, BLADE3- 1, BLADE3- 2, BLADE4- 1, BLADE4- 2, BLADE ROTATE, DIMMER1, DIMMER2, DIMMER3, MAC4, MAC5, or MAC6.**
4. Adjust the "zero" position for the selected function from **000–255**.

Web Server

The Maverick Force 2 Profile Web Server can be accessed by any computer on the same network as the product. It allows network access to system information, settings such as control setup, manual testing of all functions, firmware updates, and the ability to change the Web Server password.

1. Connect the product to power, and set the [Control Mode](#) to **ArtNet** and the [IP Mode](#) to **Static**.
2. Connect the product to a Windows computer with a network cable.
3. On the computer, set the first value of the IP address of the new network to match the first value of the IP address of the product. The IP address of the product is displayed on the [Home Screen](#).
4. Enter the IP address of the product into the URL bar of a web browser on the computer.
5. Enter both the User Name and Password as **admin** to log in.

Information

The Information page on the Web Server displays the current settings and the system information of the Maverick Force 2 Profile.

Setup

The Setup page on the Web Server provides options for control, similar to the **Setup** menu on the product. Click **Save Settings** to send the new configuration to the product.

Manual Test

The Manual Test page on the Web Server allows all output functions of the product to be controlled through the browser. To set all functions back to default, click **Reset**.

Firmware Update

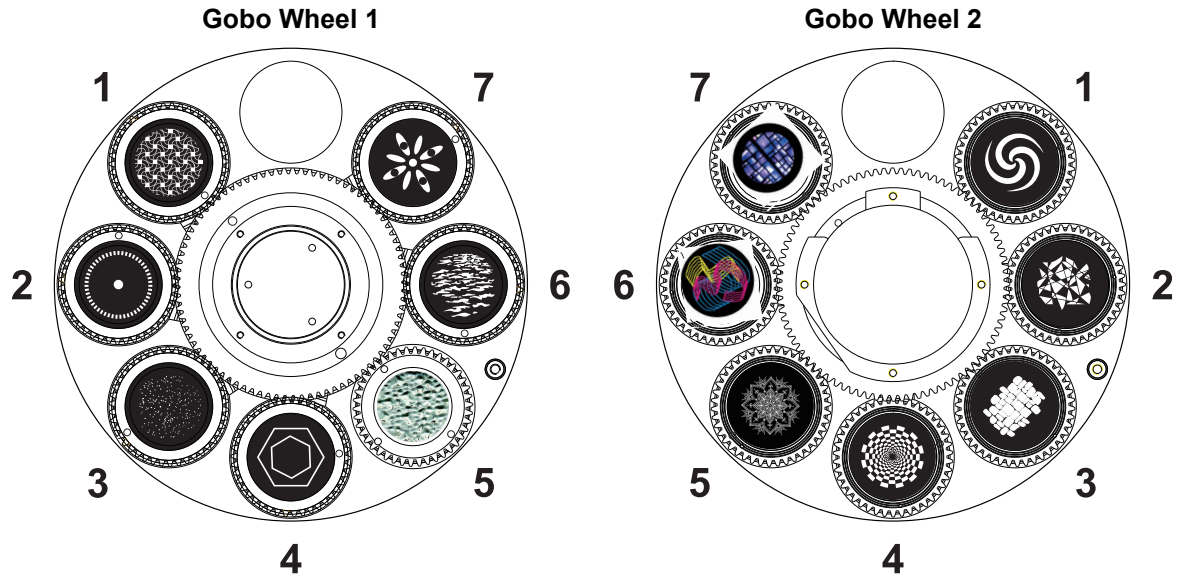
The Upgrade page on the Web Server allows the product to be updated with the latest firmware. Go to <https://www.chauvetprofessional.com> to download firmware updates.

Security

The Security page on the Web Server gives the option to change the password to the connected product's web server. Enter the old password (**admin**, by default) and the new password twice, then click **Save Settings** to change the password.

Operation

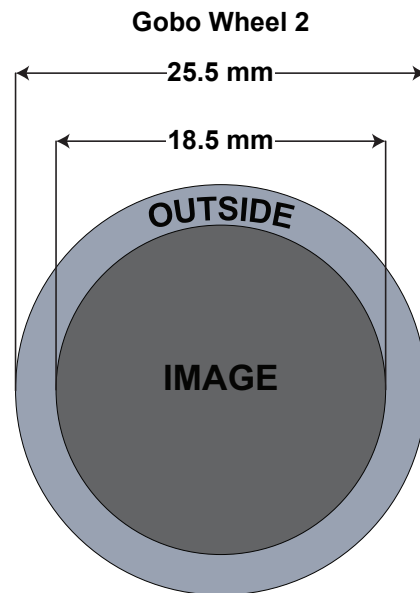
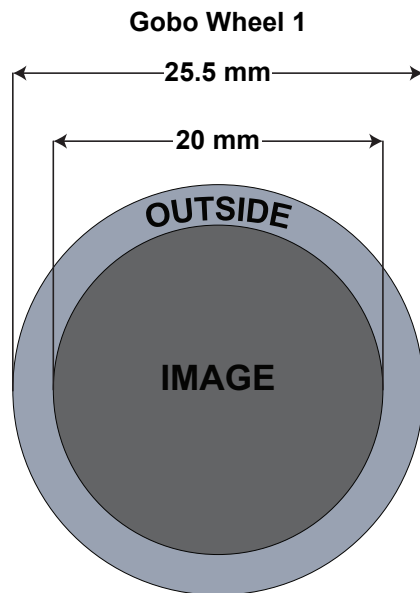
Gobo Wheels



Gobo Wheel	Gobo #	Description
1	1	Sail Boats
	2	Radial Dot
	3	Dots
	4	Bolts
	5	Shower Glass
	6	Ballistic Glass
	7	Four Eyes

Gobo Wheel	Gobo #	Description
2	1	Spiral
	2	Abstracts
	3	Brick Wall
	4	Chess
	5	Granny Sue
	6	Color Weave
	7	Indigo Square Breakup

Gobo Dimensions



Gobo Replacement

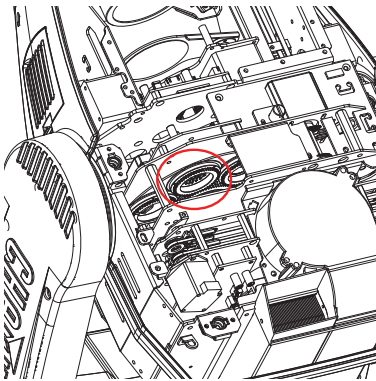
The gobos in gobo wheel 1 are removable from their gobo holders. This operation is quite simple, although it requires the technician to carefully follow the recommended procedure.

- **Make sure to disconnect the product's power cable before replacing a gobo.**
- **Always replace a gobo with a gobo of the same dimensions.**
- **When inserting a glass gobo, always make sure that the shiny side of the gobo (glass base) faces the lamp. This provides a layer of protection against the high temperature from the lamp.**

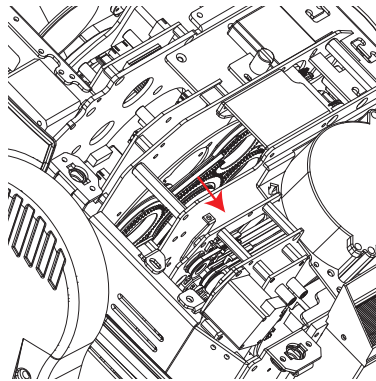
Procedure

1. Turn the product off and disconnect it from the power outlet.
2. Open the head cover by loosening the screws on the top cover.
3. Separate the gobo holder away from the gobo wheel by pushing it toward the front of the moving head (direction 1 in the diagram). Be careful not to push the gobo out of the gobo holder.
4. Extract the gobo holder by pulling it outward (direction 2 in the diagram).
5. On a flat surface, remove the expansion ring that holds the gobo in place and remove the gobo from the gobo holder.
6. Insert a new gobo and hold it in place with the expansion ring.
7. Slide the tip of the gobo holder under the pressure plate near the center of the gobo wheel.
8. Push the gobo holder inwards. **DO NOT** force the gobo holder into the gobo wheel slot. If correctly installed, the gobo holder should easily slide into the gobo wheel slot.

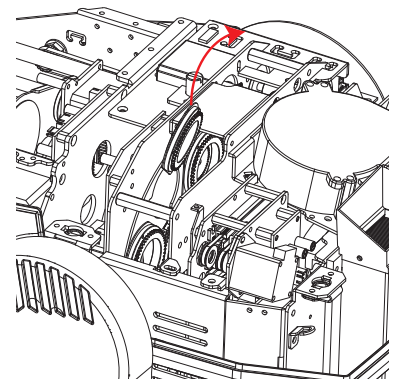
Diagram



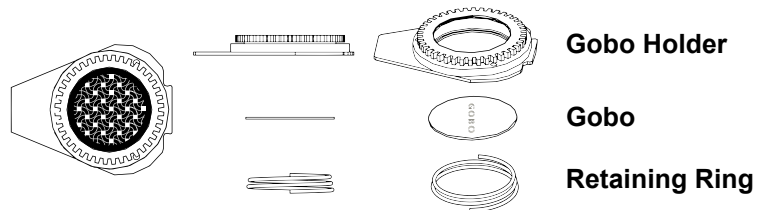
Locate



Pull Back



Remove



- Gobo illustrations are for reference purposes only. Gobo designs may differ from those installed in the product.
- See [Gobo Maintenance](#) for instructions on how to clean the gobos and gobo holder.

Operation

Error Codes

See the table below for error codes and recommended solutions:

Error Code	Possible Reason	Potential Solution
Base Fan1	Base fan 1 error	Check fan connection
		Replace fan
Base Fan2	Base fan 2 error	Check fan connection
		Replace fan
Base Fan3	Base fan 3 error	Check fan connection
		Replace fan
Base Fan4	Base fan 4 error	Check fan connection
		Replace fan
BladeR	Framing shutter error'	Check module connection
		Make sure nothing is blocking the movement of the shutters/blade
		Do a factory reset
		Update software
Color	Color error	Check module connection
		Make sure nothing is blocking the movement
		Do a factory reset
		Update software
CPU-A	Display CPU	Do a factory reset
		Update software
CPU-B	Pan/tilt CPU	Do a factory reset
		Update software
CPU-C	Gobo/Color CPU error	Do a factory reset
		Update software
CPU-D	Zoom/Focus CPU error	Do a factory reset
		Update software
CPU-E	CMY CPU error	Do a factory reset
		Update software
CPU-F	Framing shutter CPU error	Do a factory reset
		Update software
CTO	CTO/CMY error	Check module connection
		Make sure nothing is blocking the movement of the shutters/blade
		Do a factory reset
		Update software
CYAN	Cyan error	Check module connection
		Make sure nothing is blocking the movement of the shutters/blade
		Do a factory reset
		Update software
FAN1	Fan 1 error	Check fan connection
		Replace fan
FAN2	Fan 2 error	Check fan connection
		Replace fan
FAN3	Fan 3 error	Check fan connection
		Replace fan
FAN4	Fan 4 error	Check fan connection
		Replace fan

Error Code	Possible Reason	Potential Solution
Focus	Focus error	Check module connection
		Make sure nothing is blocking the movement
		Check sensors for +/- 5V when open and closed
		Do a factory reset
		Update software
Gobo	Gobo error	Check module connection
		Make sure nothing is blocking the movement
		Check sensors for +/- 5V when open and closed
		Do a factory reset
		Update software
Gobo2	Gobo 2 error	Check module connection
		Make sure nothing is blocking the movement
		Check sensors for +/- 5V when open and closed
		Do a factory reset
		Update software
Gobo.R	Gobo rotation error	Check module connection
		Make sure nothing is blocking the movement
		Check sensors for +/- 5V when open and closed
		Do a factory reset
		Update software
head Fan1	Head fan 1 error	Check fan connection Replace fan
head Fan2	Head fan 2 error	Check fan connection Replace fan
LED_HOT	Overheated LED	Do a factory reset
		Update software
		Check connections
		Check fan functions
MAGENTA	Magenta error	Check module connection
		Make sure nothing is blocking the movement
		Check sensors for +/- 5V when open and closed
		Do a factory reset
		Update software
YELLOW	Yellow error	Check module connection
		Make sure nothing is blocking the movement
		Check sensors for +/- 5V when open and closed
		Do a factory reset
		Update software

Error Code	Possible Reason	Potential Solution
Prism	Prism error	Check module connection
		Make sure nothing is blocking the movement
		Check sensors for +/- 5V when open and closed
		Do a factory reset
		Update software
Zoom	Zoom error	Check module connection
		Make sure nothing is blocking the movement
		Check sensors for +/- 5V when open and closed
		Do a factory reset
		Update software
R-OPEN	Thermistor open	Do a factory reset
		Update software
		Check connection
		Replace thermistor
R-SHORT	Thermistor short	Do a factory reset
		Update software
		Check connection
		Replace thermistor
X_cm	Pan magnetic sensor error	Do a factory reset
		Update software
		Check connection
		Replace sensor
X_da	Pan data error	Do a factory reset
		Update software
		Check connection to motors and PCB
		Replace motor
X_op	Pan optocouple error	Do a factory reset
		Update software
		Check connection
		Replace sensor
Y_cm	Tilt magnetic sensor error	Do a factory reset
		Update software
		Check connection
		Replace sensor
Y_da	Tilt data error	Do a factory reset
		Update software
		Check connection to motors and PCB
		Replace motor
Y_op	Tilt optocouple error	Do a factory reset
		Update software
		Check connection

5. Maintenance

Product Maintenance

Dust build-up reduces light output performance and can cause overheating. This can lead to reduction of the light source's life and/or mechanical wear. To maintain optimum performance and minimize wear, clean all lighting products at least twice a month. However, be aware that usage and environmental conditions could be contributing factors to increase the cleaning frequency.

To clean the product, follow the instructions below:

1. Unplug the product from power.
2. Wait until the product is at room temperature.
3. Use a vacuum (or dry compressed air) and a soft brush to remove dust collected on the external surface/vents.
4. Clean all transparent surfaces with a mild soap solution, ammonia-free glass cleaner, or isopropyl alcohol.
5. Apply the solution directly to a soft, lint free cotton cloth or a lens cleaning tissue.
6. Softly drag any dirt or grime to the outside of the transparent surface.
7. Gently polish the transparent surfaces until they are free of haze and lint.



Always dry the transparent surfaces carefully after cleaning them.



Do not spin the cooling fans with compressed air. Damage may result.

Gobo Maintenance

To ensure optimal operation: 1) inspect, and 2) clean gobos every four months. More frequent maintenance may be necessary if usage is higher.

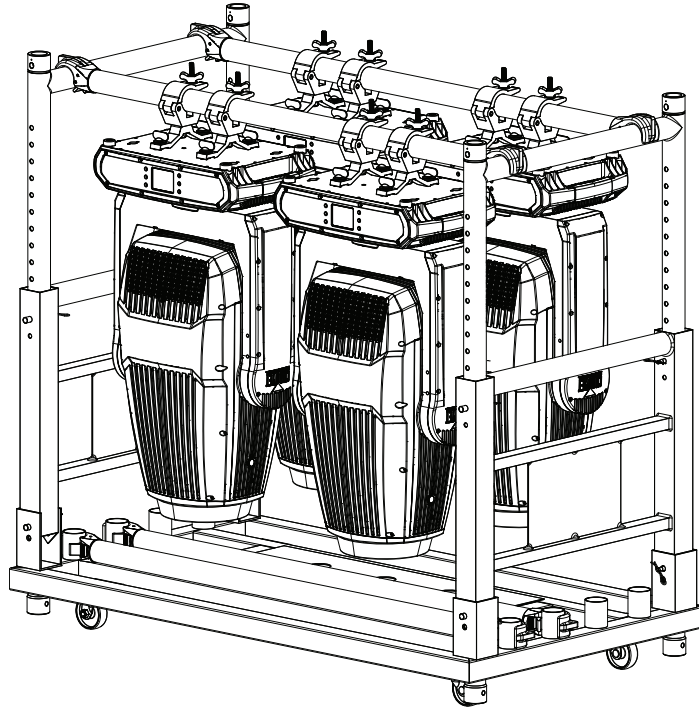
To inspect, remove each gobo holder and check if:

- the holders are clean (free of dirt, grime, or gunk).
- the gobos are properly installed in the holders.
- all the bearings are in place.
- the holders are rotating freely.

To clean the gobos and the gobo holder, follow the instructions below:

1. Remove the gobos from the holder.
2. Clean the gobos with a soft, lint-free cotton cloth. Use an ammonia-free glass cleaner sprayed to a piece of lint-free cotton cloth to clean glass gobos.
3. Submerge the gobo holder (without the gobo installed) in a container with a liquid lubricant (i.e., WD40) and let it rest for a couple of minutes.
4. Shake the container with the gobo holder inside to help release/loosen any gunk/grime/dirt.
5. Take the gobo holder out of the container and clean it using a small nylon brush.
6. Wipe off all the lubricant from the gobo holder using a piece of lint-free cotton cloth.
7. Apply a small coat of synthetic oil (i.e., Liquid Bearings) to the bearings and rotate it thoroughly in both directions (needle tip applicator recommended). Make sure the gobo holder is rotating freely and is not making any abnormal noise.
8. Reinstall the gobos in the gobo holder. Make sure the gobos are in the correct positions.
9. Reinstall the gobo holder in the unit.

Transporting on Truss or Racks



When transporting fixtures in pre-rigged truss and transportation racks, mount fixtures in the vertical position with the lenses facing down and the pan and tilt locks engaged. This is to prevent undue stress on the tilt locks and limit the amount of off-axis bounce on internal components.

6. Technical Specifications

Dimensions and Weight

Length	Width	Height	Weight
15.51 in (394 mm)	10.71 in (272 mm)	26.38 in (670 mm)	57.3 lb (26 kg)

Note: Dimensions in inches are rounded.

Power

Power Supply Type	Range	Voltage Selection
Switching (internal)	100 to 240 VAC, 50/60 Hz	Auto-ranging

Parameter	100 V, 60 Hz	120 V, 60 Hz	208 V, 60 Hz	230 V, 50 Hz	240 V, 50 Hz
Consumption	800 W	780 W	764 W	754 W	762 W
Operating Current	8.01 A	6.41 A	3.68 A	3.31 A	3.19 A
Fuse/Breaker	F 13 A, 250 V	F 13 A, 250 V	F 13 A, 250 V	F 13 A, 250 V	F 13 A, 250 V

Power I/O	U.S./Worldwide	UK/Europe
Power Input Connector	Seetronic Powerkon A	Seetronic Powerkon A
Power cable plug	Edison (U.S.)	Local Plug

Light Source

Type	Color	Quantity	Power	Current	Lifespan
LED	Cool white (7500K)	1	580 W	4.2 A	50,000 hours

Photometrics

Front Lens Diameter	Beam Angle	Field Angle	Cutoff Angle	Zoom Range
127 mm	6.3° to 48.1°	7.2° to 54.9°	7.4° to 55.9°	6.8 to 55.9°
Color Temperature (at Full)	CRI (without CRI Filter)	CRI (with CRI Filter)	Illuminance @ 5 m (6.3°)	Illuminance @ 5 m (55.9°)
7570K	70.8	89.3	54,026 lux	1,648 lux

Technical Specifications

Acoustic

Parameter	Idle	Max	ECO	Auto	Full	TV25	TV35
Sound pressure level @1m	25.1 dBA	39.8 dBA	35.7 dBA	43.1 dBA	46.3 dBA	43.8 dBA	43.8 dBA

Thermal

Startup Temperature Range	Operating Temperature Range	Cooling System
-4 °F–113 °F (-20 °C–45 °C)	-22 °F–113 °F (-30 °C–45 °C)	Fan-assisted Convection

DMX

I/O Connector	Channel Range
3 and 5-pin XLR	33 or 50

Art-Net™/sACN

I/O Connector	Channel Range
Amphenol XLR Net RJ45 in/out	33 or 50

Ordering

Product Name	Item Name	Item Code	UPC Number
Maverick Force 2 Profile	MAVERICKFORCE2PROFILE	08011698	781462220464



UL 1573
CSA C22.2 No. 166
E113093



Contact Us

General Information	Technical Support
Chauvet World Headquarters	
Address: 3360 Davie Rd., Suite 509 Davie, FL 33314 Voice: (954) 577-4455 Fax: (954) 929-5560 Toll Free: (800) 762-1084	Voice: (844) 393-7575 Fax: (954) 756-8015 Email: chauvetcs@chauvetlighting.com Website: www.chauvetprofessional.com
Chauvet U.K.	
Address: Pod 1 EVO Park Little Oak Drive, Sherwood Park Nottinghamshire, NG15 0EB UK Voice: +44 (0) 1773 511115 Fax: +44 (0) 1773 511110	Email: UKtech@chauvetlighting.eu Website: www.chauvetprofessional.eu
Chauvet Benelux	
Address: Stokstraat 18 9770 Kruishoutem Belgium Voice: +32 9 388 93 97	Email: BNLtech@chauvetlighting.eu Website: www.chauvetprofessional.eu
Chauvet France	
Address: 3, Rue Ampère 91380 Chilly-Mazarin France Voice: +33 1 78 85 33 59	Email: FRtech@chauvetlighting.fr Website: www.chauvetprofessional.eu
Chauvet Germany	
Address: Bruno-Bürgel-Str. 11 28759 Bremen Germany Voice: +49 421 62 60 20	Email: DEtech@chauvetlighting.de Website: www.chauvetprofessional.eu
Chauvet Mexico	
Address: Av. de las Partidas 34 - 3B (Entrance by Calle 2) Zona Industrial Lerma Lerma, Edo. de México, CP 52000 Voice: +52 (728) 690-2010	Email: servicio@chauvet.com.mx Website: www.chauvetprofessional.mx

Warranty & Returns

For warranty terms and conditions and return information, please visit our website.

For customers in the United States and Mexico: www.chauvetlighting.com/warranty-registration.

For customers in the United Kingdom, Republic of Ireland, Belgium, the Netherlands, Luxembourg, France, and Germany: www.chauvetlighting.eu/warranty-registration.