

USER MANUAL

ROGUE



Edition Notes

The WELL Panel User Manual includes a description, safety precautions, installation, programming, operation and maintenance instructions for the WELL Panel as of the release date of this edition.

Trademarks

CHAUVET, the Chauvet logo and WELL Panel are registered trademarks or trademarks of Chauvet & Sons, LLC (d/b/a Chauvet and Chauvet Lighting) in the United States and other countries. Other company and product names and logos referred to herein may be trademarks of their respective companies.

Copyright Notice

The works of authorship contained in this manual, including, but not limited to, all design, text and images are owned by Chauvet.

© Copyright 2021 Chauvet & Sons, LLC. All rights reserved.

Electronically published by Chauvet in the United States of America.

Manual Use

Chauvet authorizes its customers to download and print this manual for professional information purposes only. Chauvet expressly prohibits the usage, copy, storage, distribution, modification, or printing of this manual or its content for any other purpose without written consent from Chauvet.

Document Printing

For best results, print this document in color, on letter size paper (8.5 x 11 in), double-sided. If using A4 paper (210 x 297 mm), configure the printer to scale the content accordingly.

Intended Audience

Any person installing, operating, and/or maintaining this product should completely read through the guide that shipped with the product, as well as this manual, before installing, operating, or maintaining this product.

Disclaimer

Chauvet believes that the information contained in this manual is accurate in all respects. However, Chauvet assumes no responsibility and specifically disclaims any and all liability to any party for any loss, damage or disruption caused by any errors or omissions in this document, whether such errors or omissions result from negligence, accident or any other cause. Chauvet reserves the right to revise the content of this document without any obligation to notify any person or company of such revision, however, Chauvet has no obligation to make, and does not commit to make, any such revisions. Download the latest version from www.chauvetprofessional.com.

Document Revision

This WELL Panel User Manual is the 2nd edition of this document. Go to www.chauvetprofessional.com for the latest version.

TABLE OF CONTENTS

1. Before You Begin	1
What Is Included	1
Claims	1
Manual Conventions	1
Symbols	1
FCC Compliance.....	1
RF Exposure Warning for North America and Australia.....	1
Safety Notes.....	2
Personal Safety.....	2
Mounting and Rigging	2
Power and Wiring.....	2
Operation	2
Expected LED Lifespan.....	2
2. Introduction	3
Description	3
Features.....	3
Product Overview.....	4
Product Dimensions.....	4
3. Setup	5
AC Power	5
AC Plug.....	5
Power Linking.....	5
Battery Charge Notes.....	5
Storage Notes	5
DMX Linking.....	6
DMX Personalities.....	6
Wireless Operation.....	6
Color Blending Filter Lens.....	6
Master/Slave Connectivity.....	7
Mounting	7
Orientation.....	7
Rigging	7
Procedure.....	7
4. Operation	8
Control Panel Operation.....	8
Control Options	8
Programming.....	8
Control Panel Lock.....	8
Menu Map	8
Configuration (DMX)	11
Control Personalities	11
Starting Address.....	11
Color Temperature Chart	11
DMX Values	12
21Ch.....	12
13Ch.....	13
12Ch.....	15
8Ch.....	15
4Ch.....	15
Configuration (Standalone)	16
Auto Programs	16

Static Mode	16
Red Shift	16
Dimmer Profiles.....	16
White Balance	16
LED Frequency	16
Line Voltage Power Loss Mode	17
Run Time.....	17
Back Light	17
System Information	17
Factory Reset.....	17
Master/Slave	17
Infrared Remote Control.....	18
IR Remote Operation	18
5. Technical Information	19
Product Maintenance	19
6. Technical Specifications	20
7. Returns.....	21
8. Contact Us	22

Before You Begin

1. Before You Begin

What Is Included

- WELL Panel
- Seetronic Powerkon IP65 power cord
- Color-blending filter lens
- Omega bracket with mounting hardware
- Quick Reference Guide

Claims

Carefully unpack the product immediately and check the container to make sure all the parts are in the package and are in good condition.





If the box or the contents (the product and included accessories) appear damaged from shipping, or show signs of mishandling, notify the carrier immediately, not Chauvet. Failure to report damage to the carrier immediately may invalidate your claim. In addition, keep the box and contents for inspection.

For other issues, such as missing components or parts, damage not related to shipping, or concealed damage, file a claim with Chauvet within 7 days of delivery.

Manual Conventions

Convention	Meaning
1–512	A range of values
50/60	A set of values of which only one can be chosen
<SET>	A button on the product's control panel
Settings	A product function or a menu option

Symbols

Symbol	Meaning
	Electrical warning. Not following these instructions may cause electrical damage to the product, accessories, or the user.
	Critical installation, configuration, or operation information. Not following these instructions may make the product not work, cause damage to the product, or cause harm to the operator.
	Important installation or configuration information. The product may not function correctly if this information is not used.
	Useful information.



Any reference to data or power connections in this manual assumes the use of Seetronic IP-rated cables.



The term “DMX” used throughout this manual refers to the USITT DMX512-A digital data transmission protocol.

FCC Compliance

This device complies with Part 15 Part B of the FCC rules. Operation is subject to the following two conditions:

1. This device may not cause harmful interference, and
2. This device must accept any interference received, including interference that may cause undesired operation.

Any changes or modifications not expressly approved by the party responsible for compliance could void the user's authority to operate the equipment.

RF Exposure Warning for North America and Australia

Warning! This equipment complies with FCC radiation exposure limits set forth for an uncontrolled environment. This equipment should be installed and operated with a minimum distance of 20 cm between the radiator and your body. This transmitter must not be co-located or operating in conjunction with any other antenna or transmitter.

Safety Notes

Read all the following safety notes before working with this product. These notes contain important information about the installation, usage, and maintenance of this product.



This product contains no user-serviceable parts. Any reference to servicing in this User Manual will only apply to properly trained, certified technicians. Do not open the housing or attempt any repairs.



All applicable local codes and regulations apply to proper installation of this product.

Personal Safety

- Avoid direct eye exposure to the light source while the product is on.
- Always disconnect the product from the power source before cleaning or replacing the fuse.
- Always connect the product to a grounded circuit to avoid the risk of electrocution.
- Do not touch the product's housing when operating because it may be very hot.

Mounting and Rigging

- Do not submerge this product (IP65). Temporary outdoor operation is fine.
- When using this product in an outdoor environment, use IP65 (or higher) rated power and data cables. Secure unused power and data ports with attached IP65 covers.
- CAUTION: When transferring product from extreme temperature environments, (e.g., cold truck to warm, humid ballroom) condensation may form on the internal electronics of the product. To avoid causing a failure, allow product to fully acclimate to the surrounding environment before connecting it to power.
- Not for permanent outdoor installation in locations with extreme environmental conditions. This includes, but is not limited to:
 - Exposure to a marine/saline environment (within 3 miles of a saltwater body of water).
 - Locations where the normal high or low temperatures exceed the temperature ranges in this manual.
 - Locations that are prone to flooding or being buried in snow.
 - Areas where the product will be subjected to extreme radiation or caustic substances.
- Mount this product in a location with adequate ventilation, at least 20 in (50 cm) from adjacent surfaces.
- Make sure there are no flammable materials close to the product when operating.
- When hanging this product, always secure to a fastening device using a safety cable.

Power and Wiring

- Always make sure you are connecting the product to the proper voltage in accordance with the specifications in this manual or on the product's specification label.
- Never connect the product to a dimmer pack or rheostat.
- Never disconnect this product by pulling or tugging on the power cable.

Operation

- Do not operate this product if there is damage on the housing, lenses, or cables. Have the damaged parts replaced by an authorized technician at once.
- Do not cover the ventilation slots when operating to avoid internal overheating.
- The maximum ambient temperature is 113 °F (45 °C). Do not operate the product at higher temperatures.
- The minimum startup temperature is -4°F (-20°C). Do not start the product at lower temperatures.
- The minimum ambient temperature is -22°F (-30°C). Do not operate the product at lower temperatures.
- In the event of a serious operation problem, stop using this product immediately!



If your Chauvet product requires service, contact Chauvet Technical Support.

Expected LED Lifespan

LEDs gradually decline in brightness over time, primarily because of heat. LEDs that are arranged in clusters experience higher operating temperatures than single LEDs. For this reason, operating clustered LEDs at their fullest intensity significantly reduces the LEDs' lifespan. Under normal conditions, this lifespan is 40,000 to 50,000 hours. If extending this lifespan is vital, lower the operating temperature by improving the ventilation around the product, thus reducing the ambient temperature. In addition, limiting the overall projection intensity may extend the LEDs' lifespan.

2. Introduction

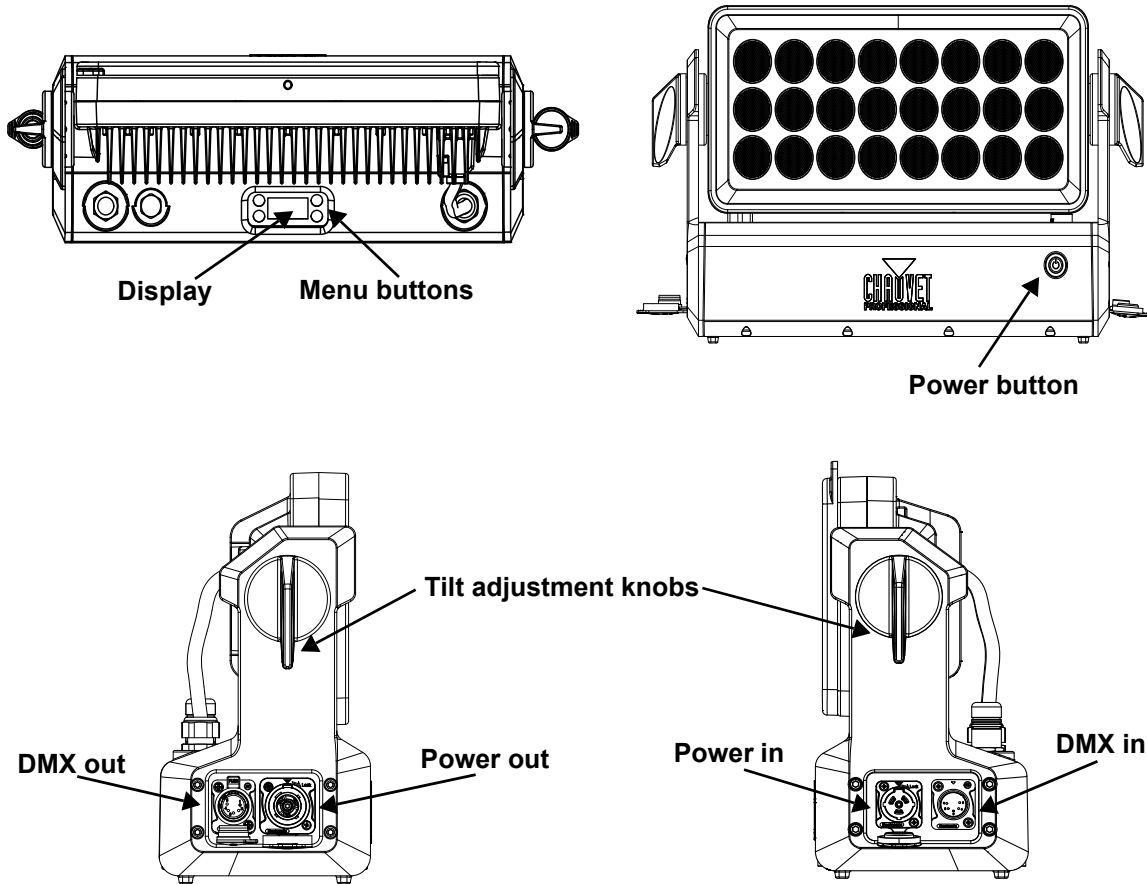
Description

The WELL Panel is a completely wireless, IP65-rated, battery-powered RGBW LED fixture that can be controlled via W-DMX, DMX, IR remote (not included), or manually from the control panel. The WELL Panel comes with color-blending filter lens for an even diffused light and Omega brackets for easy mounting. Its 170° rotation of the panel from the base allows for easy control of direction of light. Selectable PWM, red shift, and dimmer settings ensure the WELL Panel is always camera-ready.

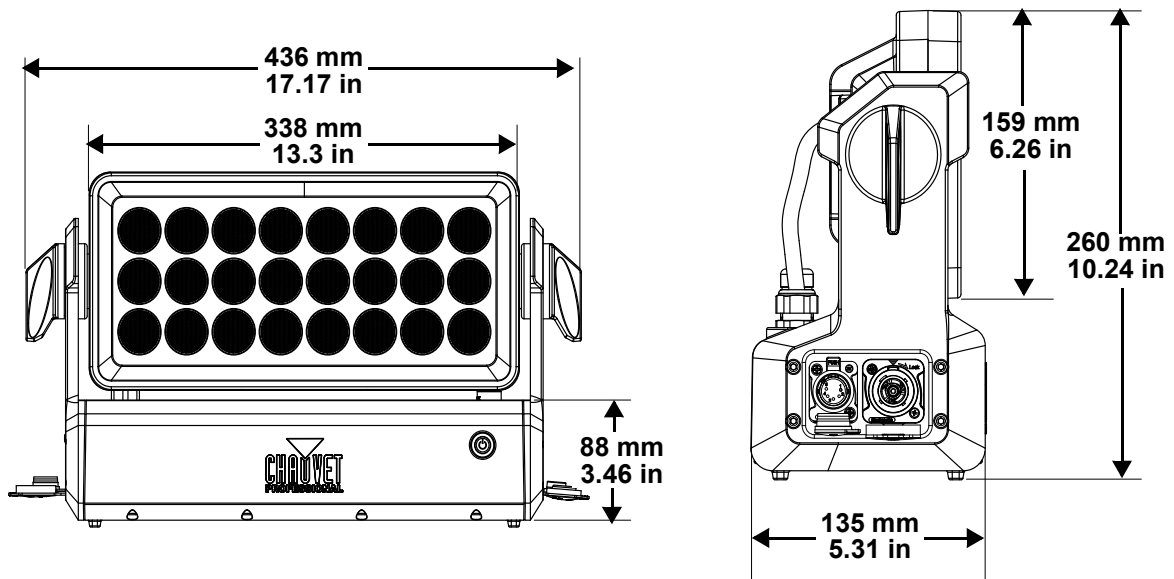
Features

- Operating modes:
 - 4Ch: RGBW control
 - 8Ch: dimmer, RGBW control, strobe, red shift
 - 12Ch: 3-zone RGBW
 - 13Ch: dimmer, RGBW control, strobe, color macros, color temperature, auto programs, auto speed, dimmer speed mode, red shift
 - 21Ch: 16-bit dimmer, 3-zone RGBW, strobe, color macros, color temperature, auto programs, auto speed, dimmer speed mode, red shift
- A completely wireless, IP65-rated, battery powered fixture with 24-quad color (red, green, blue, and warm white) LED that is controlled by W-DMX, IR, DMX, or control panel
- High CRI value of 90+ across different color temperatures of white
- Selectable Red Shift emulation over DMX and from the fixture display
- Selectable PWM settings
- Selectable dimming speed and curves
- Built-in color temperature presets
- RDM control over DMX for fixture setup and reporting
- Line voltage input allows fixture to operate while being charged
- Built-in power loss detection when operating under line voltage
- Wireless operation with W-DMX or IR remote (sold separately) and wired DMX operation
- Magnetic color-blending diffuser filter lens included for wider light coverage
- Omega bracket included for easy hanging options
- User-selectable hours of operation (3, 5, 8, or 12 hours) at full output with a recharge time of 4 hours
- Built-in automated programs recallable manually, or by W-DMX or DMX
- 170° rotation of the panel from the base for easy direction of light
- IP65 rating for temporary outdoor stage

Product Overview



Product Dimensions



3. Setup

AC Power

Each WELL Panel has an auto-ranging battery charger inside the fixture that works with an input voltage range of 100 to 240 VAC, 50/60 Hz. To determine the power requirements for the WELL Panel, refer to the label affixed to the product. You can also refer to the [Technical Specifications](#) chart in this manual.

The listed current rating indicates the maximum current draw during normal operation. For more information, download Sizing Circuit Breakers from the Chauvet website: www.chauvetprofessional.com.



- **Always connect the product to a protected circuit (a circuit breaker or fuse). Make sure the product has an appropriate electrical ground to avoid the risk of electrocution or fire.**
- **To eliminate unnecessary wear and improve its lifespan, during periods of non-use completely disconnect the product from power via breaker or by unplugging it.**



Never connect the product to a rheostat (variable resistor) or dimmer circuit, even if the rheostat or dimmer channel serves only as a 0 to 100% switch.

AC Plug

The WELL Panel charging case comes with a power input cord terminated with a Seetronic Powerkon connector on one end and an Edison plug on the other end (U.S. market). If the power input cord that came with your product has no plug, or if you need to change the plug, use the table below to wire the new plug.

Connection	Wire (U.S.)	Wire (Europe)	Screw Color
AC Live	Black	Brown	Yellow or Brass
AC Neutral	White	Blue	Silver
AC Ground	Green/Yellow	Green/Yellow	Green

Power Linking

You can link up to 11 WELL Panel products at 120 V, 19 products at 208 V, or 21 products at 230 V. Never exceed this number. Power linking cords can be purchased separately.

Battery Charge Notes

This product is equipped with a built-in rechargeable lithium ion battery.

- Avoid depleting the battery below 10%.
- For best results, charge the battery in a temperature between 32 °F (0 °C), and 95 °F (35 °C).
- When charging the battery, keep the product at least 1 m from any open flame or hot plate.
- If the battery is completely discharged, the device cannot be turned on immediately when the charger is connected. Allow a depleted battery to charge for a few minutes before turning on the device.
- While charging, the device may heat up. This is normal and should not affect the device's lifespan or performance. If the battery gets hotter than usual, the charger may stop charging.
- When charging the battery, keep the road case's cover open.
- Always charge the battery with the product in an upright position.
- Do not charge the battery for more than 24 hours.

Storage Notes

- Store charged product(s) in a dry environment, away from direct sunlight.
- Charge or discharge the battery to approximately 50% of capacity before storage.
- Lithium-Ion batteries continue to slowly discharge (self-discharge) when not in use or while in storage. Routinely check the battery's charge status.
- Store the battery at temperatures between 41 °F and 68 °F (5 °C and 20 °C).

DMX Linking

You can link the WELL Panel to a DMX controller using a wireless DMX connection. If using other DMX-compatible products with this product, you can control each individually with a single DMX controller.

DMX Personalities

The WELL Panel uses a wireless DMX data connection for the **4Ch**, **8Ch**, **12Ch**, **13Ch**, and **21Ch** DMX personalities.

- Refer to the [Introduction](#) chapter for a brief description of each DMX personality.
- Refer to the [Operation](#) chapter to learn how to configure the WELL Panel to work in these personalities.
- The [DMX Values](#) section provides detailed information regarding the control personalities.



If you are not familiar with or need more information about DMX standards, Master/Slave connectivity, or the DMX cables needed to link this product to a DMX controller, download the DMX Primer from the Chauvet website: www.chauvetprofessional.com.

Wireless Operation

In optimal conditions, the WELL Panel can operate up to 300 m (900 ft) away from the W-DMX TRX transmitter. The W-DMX receiver in the WELL Panel must be paired with the W-DMX TRX transmitter for wireless operation.



Once a WDMX receiver has been linked to a specific WDMX TRX transmitter, it will remain linked to that specific transmitter until it is linked to a different one.

Initial Setup

1. Turn the W-DMX TRX transmitter on.
2. Connect the W-DMX TRX transmitter to a DMX controller.
3. Place the WELL Panel within 300 m from the W-DMX TRX transmitter.
4. Turn the WELL Panel on.

Configuration

1. From the WELL Panel control panel, go to **DMX Address**.
2. Select the start address, as with any other DMX compatible product.
3. Go to **Wireless Setting > Operating Mode**.
4. Select **Receive**.
5. Go to **Wireless Setting > W-DMX On/Off**.
6. Select **On**. (The Signal Strength Indicator will show a ? in front of the bars).
7. Press the reset button on the W-DMX transmitter. (The Signal Strength Indicator on the WELL Panel will show a ⚡ in front of the bars for 3 seconds while a connection is established.)

Product Pairing

If the WELL Panel has already been paired with the W-DMX TRX transmitter, the Signal Strength Indicator in the middle of the LCD screen will show the strength of the signal. In this case, the WELL Panel is ready to work in Wireless mode.

Pairing the WELL Panel and a new W-DMX transmitter:

1. From the WELL Panel control panel, go to **Wireless Setting > Receive Reset**.
2. Select **Yes**. The Signal Strength Indicator on the WELL Panel will show a ? in front of the bars.
3. From the W-DMX transmitter, press **<RESET>** (the Signal Indicator on the transmitter will flash).
4. Once the transmitter has found the WELL Panel, the Signal indicator on the W-DMX transmitter will illuminate solid.
5. The Signal Strength Indicator in the middle of the LCD screen on the WELL Panel will show the strength of the signal.



W-DMX operation can be interrupted or inhibited by liquid masses between the transmitter and receiver such as water, snow, or people. For best results, keep the area between the transmitter and receiver clear of any liquid mass.

Color Blending Filter Lens

The color-blending filter lens produces a very even light that is soft at the edges. Attach the color-blending filter lens easily with the built-in magnets.

Master/Slave Connectivity

The Master/Slave mode allows an WELL Panel (the master) to control one or more WELL Panel products (the slaves) without a DMX controller. One WELL Panel becomes the master when running an auto program, or by being in Static mode.

You must configure each slave's control panel to operate in Slave mode. During Master/Slave operation, the slaves will operate in unison with the master.



DO NOT connect a DMX controller to products operating in Master/Slave mode. The DMX controller signals may interfere with the signals from the master.



- The [Operation](#) section of this manual provides detailed instructions on how to configure the master and slaves.
- If you are not familiar with or need more information about DMX standards, or the DMX cables needed to link this product to a DMX controller, download the DMX Primer from the Chauvet website: www.chauvetprofessional.com.

Mounting

Before mounting the product, read and follow the safety recommendations indicated in the [Safety Notes](#). For our CHAUVET Professional line of mounting clamps, go to <http://trusst.com/products/>.

Orientation

Always mount this product in a safe position, making sure there is adequate room for ventilation, configuration, and maintenance.

Rigging

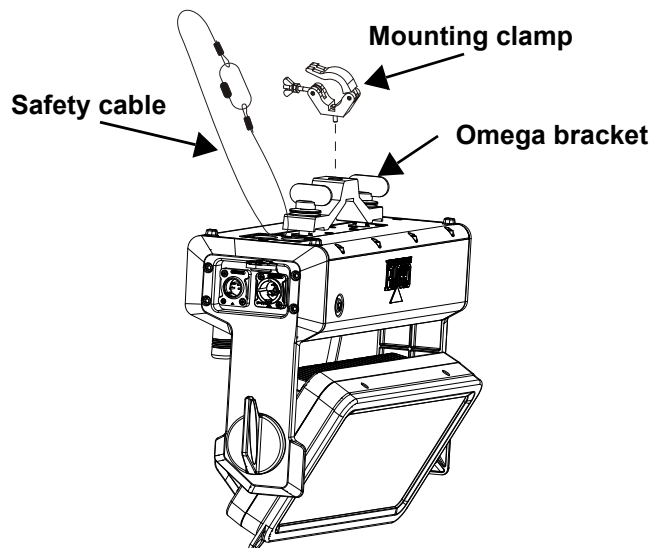
Chauvet recommends using the following general guidelines when mounting this product.

- Before deciding on a location for the product, make sure there is easy access to the product for maintenance and programming purposes.
- Make sure that the structure onto which you are mounting the product can support the product's weight. See the [Technical Specifications](#) for weight information.
- When mounting the product overhead, always use a safety cable. Mount the product securely to a rigging point, whether an elevated platform or a truss.
- When rigging the product onto a truss, use a mounting clamp of appropriate weight capacity.
- When power linking multiple products, mount the products close enough for power linking cables to reach.
- The bracket adjustment knobs allow for directional adjustment when aiming the product to the desired angle. Only loosen or tighten the bracket knobs manually. Using tools could damage the knobs.

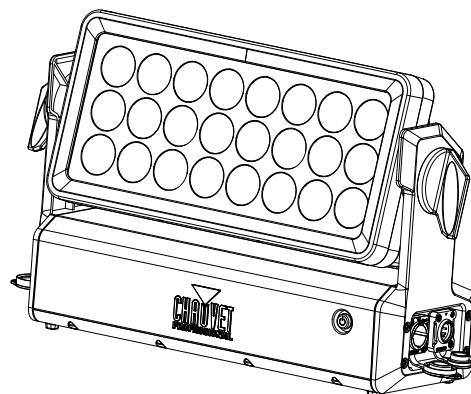
Procedure

The WELL Panel comes with a bracket to which you can attach a mounting clamp directly. Mounting clamps are sold separately. Make sure the clamps are capable of supporting the weight of this product. Use at least one mounting point per product. For the CHAUVET Professional line of mounting clamps, go to <http://www.trusst.com/products>.

Mounting Diagram



Overhead Mounting



Floor Mounting

4. Operation

Control Panel Operation

Button	Function
<MENU>	Exits from the current menu or function
<ENTER>	Enables the currently displayed menu or sets the currently selected value in to the current function
<UP>	Navigates upward through the menu list or increases the numeric value when in a function
<DOWN>	Navigates downward through the menu list or decreases the numeric value when in a function

Control Options

Set the WELL Panel starting address in the 001–512 DMX range. This enables control of up to 21 products in the 21-channel personality.

Programming

Refer to the Menu Map to understand the menu options. The menu map shows the main level and a variable number of programming levels for each option.

- To go to the desired main level, press <MENU> repeatedly until the option shows on the display. Press <ENTER> to select. This will take you to the first programming level for that option.
- To select an option or value within the current programming level, press <UP> or <DOWN> until the option shows on the display. Press <ENTER> to select. In this case, if there is another programming level, you will see that first option, or you will see the selected value.
- Press <MENU> repeatedly to exit to the previous main level.

Control Panel Lock

The setting locks or unlocks the control panel.

1. Go to the **Key Lock** main level.
2. Select **On** (locks control panel) or **Off** (control panel stays unlocked).



When the control panel lock is activated, the product will prompt for the passcode in order to access the menu. To enter the passcode, press: <UP>, <DOWN>, <UP>, <DOWN>, <ENTER>.

Menu Map

Main Level	Programming Levels	Description
DMX Address	001–509	Selects DMX address (highest channel restricted to personality chosen)
	4 Ch	4-channel: RGBW
DMX Channel	8 Ch	8-channel: 16-bit dimmer, RGBW, strobe, red shift
	12 Ch	12-channel: 3-zone RGBW
	13 Ch	13-channel: 16-bit dimmer, RGBW, strobe, color macro, color temperature, auto program, auto speed, dimmer speed, red shift
	21 Ch	21-channel: 16-bit dimmer, 3-zone RGBW, strobe, color macro, color temperature, auto program, auto speed, dimmer speed, red shift

Main Level	Programming Levels		Description	
Static	Fixed Color	R	Red	
		G	Green	
		B	Blue	
		W	White	
		GB	Green and blue	
		RB	Red and blue	
		RG	Red and green	
		RGB	Red, green, and blue	
		RW	Red and white	
		GW	Green and white	
		BW	Blue and white	
		RGW	Red, green, and white	
		RBW	Red, blue, and white	
		GBW	Green, blue, and white	
	RGBW	Red, green, blue, and white		
	Color Temperature		2800K	Preset white color temperatures. Emulates a tungsten lamp at the specified color temperature.
			3200K	
			3500K	
			4000K	
			4500K	
			5000K	
			5600K	
			6000K	
	6500K			
	Manual Color Mixer		Red	Combine red, green, blue, and white to make a custom color temperature
			Green	
			Blue	
White				
Auto Show	Auto 1–9	001–100	Selects automatic programs and program speed	
Red Shift	On		Turns on or off Red Shift (amber LEDs imitate lamp when dimming)	
	Off			
Master/Slave	Master		DMX mode (Master)	
	Slave		Slave mode	
Dimmer Mode	Off		Linear dimmer	
	Dimmer 1–3		Dimming curves Dimmer 1 (fast) to Dimmer 3 (slow)	
Dimmer Curve	Linear		Liner dimmer	
	Square		Square curve dimmer	
	I Squa		Reverse square curve dimmer	
	Scurve		S curve dimmer	
White Balance	Off		Uses factory default white setting	
	Manual	Red	125–255	Sets red LED maximum value
		Green		Sets green LED maximum value
		Blue		Sets blue LED maximum value
		White		Sets white LED maximum value

Main Level	Programming Levels		Description
LED Frequency	600Hz		Sets the PWM frequency
	1200Hz		
	2000Hz		
	4000Hz		
	6000Hz		
	25KHz		
Wireless Setting	Receive On/Off	On	Enables/disables wireless DMX
		Off	
	Receive Reset	No	Resets wireless receiver
		Yes	
Line Voltage Power Loss Mode	Stay In State		If line power is lost, the fixture will continue to function as programmed under battery power (default)
	All At Full		After 5 seconds of line power loss, all LEDs will go to full power (returns to normal operation when line power is restored)
	Dim Out		After 5 seconds of line power loss, the LEDs will dim in a 10 second fade to black (returns to normal operation when line power is restored)
Run Time	Off		Maximum intensity for all LEDs
	3 Hours		Reduced intensity, limiting battery run time to 3 hours
	5 Hours		Reduced intensity, limiting battery run time to 5 hours
	8 Hours		Reduced intensity, limiting battery run time to 8 hours
	12 Hours		Extends battery to the maximum run time of 12 hours
Back Light	10S		Turns off display backlight after 10 seconds of inactivity
	30S		Turns off display backlight after 30 seconds of inactivity
	2Min		Turns off display backlight after 2 minutes of inactivity
	Always On		Display backlight always on
Key Lock	On		Locks display (password is <UP>, <DOWN>, <UP>, <DOWN>, <ENTER>)
	Off		
Information	Fixture Hours	<_ _ _ _ H>	Shows total hours the product has been powered on
	Version	<V _ _ >	Shows current firmware version
	UID	<_ _ _ _ _ >	Shows product UID
Factory Reset	No		Resets the product to factory default settings
	Yes		

Operation

Configuration (DMX)

Use control configurations to operate the product with a DMX controller. For information on how to configure wireless DMX, see [Wireless Operation](#).

Control Personalities

This setting allows you to choose a particular control personality.

1. Go to the **DMX Channel** main level.
2. Select the desired personality (see table below).

Personality	Channels
21Ch	21
13Ch	13
12Ch	12
8Ch	8
4Ch	4



- See the [Starting Address](#) section for the highest starting address you can select for each personality.
- Make sure that the starting addresses on the various products do not overlap due to the new personality setting.

Starting Address

Each product will respond to a unique starting address from the DMX controller. All products with the same starting address will respond in unison.

1. Go to the **DMX Address** main level.
2. Select the starting address (**001–510**).

The highest recommended starting address for each DMX mode is as follows:

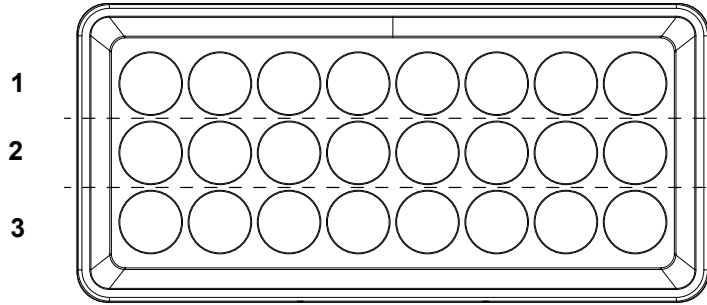
Personality	Address
21Ch	492
13Ch	500
12Ch	501
8Ch	505
4Ch	509

Color Temperature Chart

DMX Value	Display Readout
000 ⇔ 005	--
006 ⇔ 025	2800K
026 ⇔ 050	3200K
051 ⇔ 075	3500K
076 ⇔ 100	4000K
101 ⇔ 125	4500K
126 ⇔ 150	5000K
151 ⇔ 175	5600K
176 ⇔ 200	6000K
201 ⇔ 225	6500K
226 ⇔ 255	--

DMX Values

Zones for DMX Control



21Ch

Channel	Function	Value	Percent/Setting
1	Dimmer	000 ⇔ 255	0–100%
2	Fine dimmer	000 ⇔ 255	0–100%
3	Red 1	000 ⇔ 255	0–100%
4	Green 1	000 ⇔ 255	0–100%
5	Blue 1	000 ⇔ 255	0–100%
6	White 1	000 ⇔ 255	0–100%
7	Red 2	000 ⇔ 255	0–100%
8	Green 2	000 ⇔ 255	0–100%
9	Blue 2	000 ⇔ 255	0–100%
10	White 2	000 ⇔ 255	0–100%
11	Red 3	000 ⇔ 255	0–100%
12	Green 3	000 ⇔ 255	0–100%
13	Blue 3	000 ⇔ 255	0–100%
14	White 3	000 ⇔ 255	0–100%
15	Strobe	000 ⇔ 010 011 ⇔ 255	No function Strobe, slow to fast
16	Color macro	000 ⇔ 010 011 ⇔ 030 031 ⇔ 050 051 ⇔ 070 071 ⇔ 090 091 ⇔ 110 111 ⇔ 130 131 ⇔ 150 151 ⇔ 170 171 ⇔ 200 201 ⇔ 205 206 ⇔ 210 211 ⇔ 215 216 ⇔ 220 221 ⇔ 225 226 ⇔ 230 231 ⇔ 235 236 ⇔ 240 241 ⇔ 245 246 ⇔ 250 251 ⇔ 255	No function R: 100% G: 0–100% B: 0% R: 100–0% G: 100% B: 0% R: 0% G: 100% B: 0–100% R: 0% G: 100–0% B: 100% R: 0–100% G: 0% B: 100% R: 100% G: 0% B: 100–0% R: 100% G: 0–100% B: 0–100% R: 100% G: 100–0% B: 100% R: 100% G: 100% B: 100% Dark amber Amber Light amber Dark pink Pink Light pink No color pink No color blue Light blue Cornflower blue Light pale blue

Channel	Function	Value	Percent/Setting
17	Color temperature	000 ⇔ 005	No function
		006 ⇔ 025	2800K
		026 ⇔ 050	3200K
		051 ⇔ 075	3500K
		076 ⇔ 100	4000K
		101 ⇔ 125	4500K
		126 ⇔ 150	5000K
		151 ⇔ 175	5600K
		176 ⇔ 200	6000K
		201 ⇔ 225	6500K
		226 ⇔ 255	No function
18	Auto programs	000 ⇔ 010	No function
		011 ⇔ 037	Auto program 1
		038 ⇔ 064	Auto program 2
		065 ⇔ 091	Auto program 3
		092 ⇔ 118	Auto program 4
		119 ⇔ 145	Auto program 5 (Auto program 1–4)
		146 ⇔ 172	Auto program 6
		173 ⇔ 199	Auto program 7
		200 ⇔ 226	Auto program 8
		227 ⇔ 255	Auto program 9 (Auto program 6–8)
19	Auto program speed	000 ⇔ 255	Auto speed, slow to fast
20	Dimmer speed mode	000 ⇔ 051	Preset dimmer speed from display menu
		052 ⇔ 101	Dimmer speed mode off
		102 ⇔ 152	Dimmer speed mode 1 (fastest)
		153 ⇔ 203	Dimmer speed mode 2
		204 ⇔ 255	Dimmer speed mode 3 (slowest)
21	Red shift	000 ⇔ 010	No function
		011 ⇔ 127	On
		128 ⇔ 255	Off

13Ch

Channel	Function	Value	Percent/Setting
1	Dimmer	000 ⇔ 255	0–100%
2	Fine dimmer	000 ⇔ 255	0–100%
3	Red	000 ⇔ 255	0–100%
4	Green	000 ⇔ 255	0–100%
5	Blue	000 ⇔ 255	0–100%
6	White	000 ⇔ 255	0–100%
7	Strobe	000 ⇔ 010	No function
		011 ⇔ 255	Strobe, slow to fast

Channel	Function	Value	Percent/Setting
8	Color macro	000 ⇔ 010	No function
		011 ⇔ 030	R: 100% G: 0–100% B: 0%
		031 ⇔ 050	R: 100–0% G: 100% B: 0%
		051 ⇔ 070	R: 0% G: 100% B: 0–100%
		071 ⇔ 090	R: 0% G: 100–0% B: 100%
		091 ⇔ 110	R: 0–100% G: 0% B: 100%
		111 ⇔ 130	R: 100% G: 0% B: 100–0%
		131 ⇔ 150	R: 100% G: 0–100% B: 0–100%
		151 ⇔ 170	R: 100% G: 100–0% B: 100%
		171 ⇔ 200	R: 100% G: 100% B: 100%
		201 ⇔ 205	Dark amber
		206 ⇔ 210	Amber
		211 ⇔ 215	Light amber
		216 ⇔ 220	Dark pink
		221 ⇔ 225	Pink
		226 ⇔ 230	Light pink
		231 ⇔ 235	No color pink
		236 ⇔ 240	No color blue
		241 ⇔ 245	Light blue
		246 ⇔ 250	Cornflower blue
251 ⇔ 255	Light pale blue		
9	Color temperature	000 ⇔ 005	No function
		006 ⇔ 025	2800K
		026 ⇔ 050	3200K
		051 ⇔ 075	3500K
		076 ⇔ 100	4000K
		101 ⇔ 125	4500K
		126 ⇔ 150	5000K
		151 ⇔ 175	5600K
		176 ⇔ 200	6000K
		201 ⇔ 225	6500K
226 ⇔ 255	No function		
10	Auto programs	000 ⇔ 010	No function
		011 ⇔ 037	Auto program 1
		038 ⇔ 064	Auto program 2
		065 ⇔ 091	Auto program 3
		092 ⇔ 118	Auto program 4
		119 ⇔ 145	Auto program 5 (Auto program 1–4)
		146 ⇔ 172	Auto program 6
		173 ⇔ 199	Auto program 7
		200 ⇔ 226	Auto program 8
		227 ⇔ 255	Auto program 9 (Auto program 6–8)
11	Auto program speed	000 ⇔ 255	Auto speed, slow to fast
12	Dimmer speed mode	000 ⇔ 051	Preset dimmer speed from display menu
		052 ⇔ 101	Dimmer speed mode off
		102 ⇔ 152	Dimmer speed mode 1 (fastest)
		153 ⇔ 203	Dimmer speed mode 2
		204 ⇔ 255	Dimmer speed mode 3 (slowest)

Operation

Channel	Function	Value	Percent/Setting
13	Red shift	000 ⇔ 010 011 ⇔ 127 128 ⇔ 255	No function On Off

12Ch

Channel	Function	Value	Percent/Setting
1	Red 1	000 ⇔ 255	0–100%
2	Green 1	000 ⇔ 255	0–100%
3	Blue 1	000 ⇔ 255	0–100%
4	White 1	000 ⇔ 255	0–100%
5	Red 2	000 ⇔ 255	0–100%
6	Green 2	000 ⇔ 255	0–100%
7	Blue 2	000 ⇔ 255	0–100%
8	White 2	000 ⇔ 255	0–100%
9	Red 3	000 ⇔ 255	0–100%
10	Green 3	000 ⇔ 255	0–100%
11	Blue 3	000 ⇔ 255	0–100%
12	White 3	000 ⇔ 255	0–100%

8Ch

Channel	Function	Value	Percent/Setting
1	Dimmer	000 ⇔ 255	0–100%
2	Dimmer fine	000 ⇔ 255	0–100%
3	Red	000 ⇔ 255	0–100%
4	Green	000 ⇔ 255	0–100%
5	Blue	000 ⇔ 255	0–100%
6	White	000 ⇔ 255	0–100%
7	Strobe	000 ⇔ 010 011 ⇔ 255	No function Strobe, slow to fast
8	Red shift	000 ⇔ 010 011 ⇔ 127 128 ⇔ 255	No function On Off

4Ch

Channel	Function	Value	Percent/Setting
1	Red	000 ⇔ 255	0–100%
2	Green	000 ⇔ 255	0–100%
3	Blue	000 ⇔ 255	0–100%
4	White	000 ⇔ 255	0–100%

Configuration (Standalone)

Use standalone configuration to operate the product without a DMX controller.

Auto Programs

Auto programs allow for dynamic blinder effects without a DMX controller.

1. Go to the **Auto Show** main level.
2. Select the desired auto (**Auto 1–5**).
3. Select the desired speed (**1–100**).



The auto programs cannot be edited.

Static Mode

The Static mode allows for permanent dimmer and strobe presets without a DMX controller.

1. Go to the **Static** main level.
2. Select **Fixed Color**, **Color Temperature**, or **Manual Color Mixer**.
3. For **Fixed Color**:
 - Select the desired fixed color (**R, G, B, W, GB, RB, RG, RGB, RW, GW, BW, RGW, RBW, GBW**, or **RGBW**).For **Color Temperature**:
 - a. Select the desired color temperature (refer to the [Color Temperature Chart](#)).
 - b. Set the desired output value (**Dimmer <000–255>**).For **Manual Color Mixer**:
 - a. Select the desired color (**Red, Green, Blue**, or **White**).
 - b. Set the desired value for the selected color (**000–255**).
 - c. Repeat steps a-b until the static color is set as desired.

Red Shift

The Red Shift function allows the light in the fixture to mimic halogen lamp dimming.

1. Go to the **Settings** main level.
2. Select the **Red Shift** option.
3. Select from **No** (disables Red Shift function) or **Yes** (enables Red Shift function).

Dimmer Profiles

This setting determines how fast the output of the WELL Panel changes when you modify the output value. This setting provides four different options to simulate the dimming curve of an incandescent lighting product.

1. Go to the **Dimmer Mode** main level.
2. Select a dimmer curve (**Off, Dimmer 1, Dimmer 2, or Dimmer 3**).



Off: The output is proportional (linear) to the dimmer channel value.

Dimmer 1-3: The output follows the dimmer value based on the corresponding dimmer curve, DIM1 being the fastest.

White Balance

This setting controls the maximum values for each LED color.

1. Go to the **White Balance** main level.
2. Select **Off** (uses factory default white setting) or **Manual** (sets a custom white balance).
 - a. For **Manual**, select a color to edit (**Red, Green, Blue**, or **White**).
 - b. Set the maximum value of the selected color (**125–255**).
 - c. Repeat steps a-b until the white balance is set as desired.

LED Frequency

This option changes the Pulse Width Modulation (PWM) frequency of the LEDs on the WELL Panel.

1. Go to the **LED Frequency** main level.
2. Select PWM Frequency (**600Hz, 1200Hz, 2000Hz, 4000Hz, 6000Hz, or 25Khz**).

Operation

Line Voltage Power Loss Mode

This option sets the action that the fixture will during a line power loss.

1. Go to the **Line Voltage Power Loss Mode** main level.
2. Select among **Stay in State** (the fixture will continue to function as programmed under battery power), **All at Full** (all LEDs will go to full power after 5 seconds of line power loss, and returns to normal operation when line power is restored), and **Dim Out** (all LEDs will dim in a 10 second fade to black and returns to normal operation when line power is restored).

Run Time

This option sets the fixture's intensity and adjusts its battery run time.

1. Go to the Run Time main level.
2. Select among **3 Hours**, **5 Hours**, **8 Hours** (reduces intensity, limiting battery run time to 3, 5, or 8 hours) and **12 Hours** (extends battery to the maximum run time of 12 hours)

Back Light

This setting allows for selection of the amount of time the back light on the WELL Panel's display stays on after the last button is pressed on the control panel.

1. Go to the **Back Light** main level.
2. Select **On** (remains on), **10S** (10 seconds), **20S** (20 seconds), or **30S** (seconds).

System Information

This option displays the total number of hours the product has run, the installed software version, and the product's UID.

1. Go to the **Information** main level.
2. Select **Fixture Hours**, **Version**, or **UID**.

Factory Reset

This option restores the WELL Panel to factory default settings.

1. Go to the **Reset Factory** main level.
2. Select **No** or **Yes**.

Master/Slave

The Master/Slave mode allows a group of WELL Panel products (the slaves) to simultaneously duplicate the output of another WELL Panel (the master) without a DMX controller. To set each of the slaves:

1. Go to the **Master/Slave** main level.
2. Select **Slave**.
3. Go to **Wireless Setting > W-DMX On/Off**.
4. Select **On**.
5. Go to **Wireless Setting > Operating Mode**.
6. Select **Receive**.
7. Go to **Wireless Setting > Receive Reset**.
8. Select **Yes**.

To set the master:

1. Go to the **Master/Slave** main level.
2. Select **Master**.
3. Go to **Wireless Setting > W-DMX On/Off**.
4. Select **On**.
5. Go to **Wireless Setting > Operating Mode**.
6. Select **Transmit**.
7. Go to **Wireless Setting > Link**.
8. Select **Link** to link to the slave products.
9. Select a standalone setting, or control with the IR remote.



- The master is the one that runs a program whether in Auto, Static, or IR mode.
- Do not connect a DMX controller to the products configured for Master/Slave operation. The DMX controller may interfere with signals from the master.
- Do not connect a WDMX transmitter to the products configured for Master/Slave operation. The WDMX transmitter may interfere with signals from the master.

Infrared Remote Control

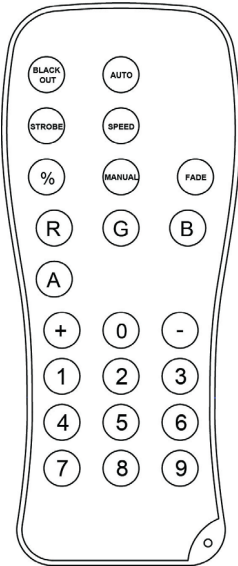
Infrared (IR) mode allows the product to be controlled with an infrared remote controller. The IR remote can remotely set the product to various modes; adjust the color, speed, and sensitivity; and set the strobe. The WELL Panel is compatible with the IR remote (sold separately) from Chauvet.



It may be necessary to turn the product off and on again when switching from W-DMX to IRC and vice-versa.

IR Remote Operation

Be sure the IR remote is pointing directly at the product and there is nothing in between the remote and the product.



Automatic Mode

Automatic mode will enable the automatic programs on the product.

To turn on Automatic mode:

1. Press **<AUTO>** or **<FADE>** on the IR remote.
2. Press **<+>** or **<->** to choose between the 5 auto programs.

To adjust the speed of the automatic program:

1. Press **<SPEED>** on the IR remote.
2. Press **<+>** or **<->** to increase or decrease the speed.

Manual Color Control

To choose a specific color with the IR remote, press any number between **<0>** and **<9>**. To manually control the RGBA percentage:

1. Press **<MANUAL>** on the IR remote.
2. Press **<R>**, **<G>**, ****, or **<A>** (red, green, blue, or white) to choose a color.
3. Press **<+>** or **<->** to increase or decrease the value of the selected color.

Miscellaneous Operation

To adjust the strobe rate of the program:

1. Press **<STROBE>** on the IR remote.
2. Press **<+>** or **<->** to increase or decrease the strobe rate.
3. Press **<STROBE>** again to turn off the strobe.

To black out the lights:

- Press **<BLACKOUT>** on the IR remote. This will turn off all the lights until the button is pressed again.

To adjust the output level:

1. Press **<%>** on the IR remote.
2. Press **<+>** or **<->** to increase or decrease the output level.

Note: The IR remote will not respond to any inputs when the Black Out mode is activated. If the remote does not respond when a button is pressed, try pressing <BLACK OUT>. You may have inadvertently activated the Black Out mode.

5. Technical Information

Product Maintenance

To maintain optimum performance and minimize wear, clean this product frequently. Usage and environment are contributing factors in determining the cleaning frequency.

Clean this product at least twice a month. Dust build-up reduces light output performance and can cause overheating. This can lead to reduced light source life and increased mechanical wear.

To clean the product:

1. Unplug the product from power and switch off.
2. Wait until the product is at room temperature.
3. Use a vacuum (or dry compressed air) and a soft brush to remove dust collected on the external vents.
4. Clean all transparent surfaces with a mild soap solution, ammonia-free glass cleaner, or isopropyl alcohol.
5. Apply the solution directly to a soft, lint free cotton cloth or a lens cleaning tissue.
6. Softly drag any dirt or grime to the outside of the transparent surface.
7. Gently polish the transparent surfaces until they are free of haze and lint.



Always dry the transparent surfaces carefully after cleaning them.

6. Technical Specifications

Dimensions and Weight

Length	Width	Height	Weight
17.17 in (436 mm)	5.31 in (135 mm)	10.24 in (260 mm)	22.6 lb (10.3 kg)

Note: Dimensions in inches are rounded.

Power

Power Supply Type	Range	Voltage Selection
Switching (internal)	100 to 240 VAC, 50/60 Hz	Auto-ranging

Parameter	120 V, 60 Hz	208 V, 60 Hz	230 V, 50 Hz
Consumption (single)	123 W	124 W	123 W
Operating Current (single)	1.029 A	0.587 A	0.532 A

Power I/O	U.S./Worldwide	UK/Europe
Power input connector	Seetronik Powerkon	Seetronik Powerkon
Power output connector	Seetronik Powerkon	Seetronik Powerkon
Power cord plug	Edison (U.S.)	Local Plug

Light Source

Type	Color	Quantity	Power	Current	Lifespan
LED	Red	24	1 to 3 W	500 mA	50,000 hours
	Green	24			
	Blue	24			
	Warm white	24			

Photometrics

	Beam Angle	Field Angle	Illuminance @ 5 m
Without Filter	14°	25.6°	2,761 lux
With Filter	32.3°	58.6°	544 lux

Thermal

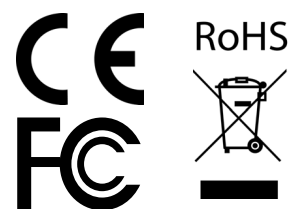
Maximum External Temperature	Cooling System
113 °F (45 °C)	Convection

DMX

I/O Connector	Channel Range
Wireless	4, 8, 12, 13, or 21 channels

Ordering

Product Name	Item Name	Item Code	UPC Number
WELL Panel	WELLPANEL		781462220471



Returns

Returns

Send the product prepaid, in the original box, and with the original packing and accessories. Chauvet will not issue call tags.

Call Chauvet and request a Return Merchandise Authorization (RMA) number before shipping the product. Be prepared to provide the model number, serial number, and a brief description of the cause(s) for the return.

To submit a service request online, go to www.chauvetprofessional.com/service-request.

Clearly label the package with an RMA number. Chauvet will refuse any product returned without an RMA number.



Write the RMA number on a properly affixed label. DO NOT write the RMA number directly on the box.

Once you have the RMA number, provide the following information on a piece of paper and place it inside the box:

- Your name
- Your address
- Your phone number
- RMA number
- A brief description of the problem

Be sure to pack the product properly. Any shipping damage resulting from inadequate packaging will be your responsibility. FedEx packing or double-boxing are recommended.



Chauvet reserves the right to use its own discretion to repair or replace returned product(s).

Contact Us

General Information	Technical Support
Chauvet World Headquarters	
Address: 5200 NW 108th Ave. Sunrise, FL 33351 Voice: (954) 577-4455 Fax: (954) 929-5560 Toll Free: (800) 762-1084	Voice: (844) 393-7575 Fax: (954) 756-8015 Email: chauvetcs@chauvetlighting.com Website: www.chauvetprofessional.com
Chauvet Europe Ltd	
Address: Unit 1C Brookhill Road Industrial Estate Pinxton, Nottingham, UK NG16 6NT Voice: +44 (0) 1773 511115 Fax: +44 (0) 1773 511110	Email: UKtech@chauvetlighting.eu Website: www.chauvetprofessional.eu
Chauvet Europe BVBA	
Address: Stokstraat 18 9770 Kruishoutem Belgium Voice: +32 9 388 93 97	Email: BNLtech@chauvetlighting.eu Website: www.chauvetprofessional.eu
Chauvet France	
Address: 3, Rue Ampère 91380 Chilly-Mazarin France Voice: +33 1 78 85 33 59	Email: FRtech@chauvetlighting.fr Website: www.chauvetprofessional.eu
Chauvet Germany	
Address: Bruno-Bürgerl-Str. 11 28759 Bremen Germany Voice: +49 421 62 60 20	Email: DEtech@chauvetlighting.de Website: www.chauvetprofessional.eu
Chauvet Mexico	
Address: Av. de las Partidas 34 - 3B (Entrance by Calle 2) Zona Industrial Lerma Lerma, Edo. de México, CP 52000 Voice: +52 (728) 690-2010	Email: servicio@chauvet.com.mx Website: www.chauvetprofessional.mx

Visit the applicable website above to verify our contact information and instructions to request support. Outside the U.S., U.K., Ireland, France, Germany, Benelux, or Mexico, contact the dealer of record.