

OVATION

H-55WW

User Manual



Model ID: OVATIONH55WWBLK, OVATIONH55WWWHT

Edition Notes

The Ovation H-55WW User Manual includes a description, safety precautions, installation, programming, operation and maintenance instructions for the Ovation H-55WW as of the release date of this edition.

Trademarks

Chauvet, Chauvet Professional, the Chauvet logo, and Ovation are registered trademarks or trademarks of Chauvet & Sons, LLC (d/b/a Chauvet and Chauvet Lighting) in the United States and other countries. Other company and product names and logos referred to herein may be trademarks of their respective companies.

Copyright Notice

The works of authorship contained in this manual, including, but not limited to, all designs, text, and images are owned by Chauvet.

© **Copyright 2024 Chauvet & Sons, LLC. All rights reserved.**

Electronically published by Chauvet in the United States of America.

Manual Use

Chauvet authorizes its customers to download and print this manual for professional information purposes only. Chauvet expressly prohibits the usage, copy, storage, distribution, modification, or printing of this manual or its content for any other purpose without written consent from Chauvet.

Document Printing

For best results, print this document in color, on letter size paper (8.5 x 11 in), double-sided. If using A4 paper (210 x 297 mm), configure the printer to scale the content accordingly.

Intended Audience

Any person installing, operating, and/or maintaining this product should completely read through the guide that shipped with the product, as well as this manual, before installing, operating, or maintaining this product.

Disclaimer

Chauvet believes that the information contained in this manual is accurate in all respects. However, Chauvet assumes no responsibility and specifically disclaims any and all liability to any party for any loss, damage or disruption caused by any errors or omissions in this document, whether such errors or omissions result from negligence, accident or any other cause. Chauvet reserves the right to revise the content of this document without any obligation to notify any person or company of such revision, however, Chauvet has no obligation to make, and does not commit to make, any such revisions.

Document Revision

Go to www.chauvetprofessional.com for the latest version.

Revision	Date	Description
1	8/2024	Initial release.

TABLE OF CONTENTS

1. Before You Begin	1
What Is Included	1
Claims	1
Text Conventions	1
Symbols	1
Safety Notes.....	2
FCC Statement of Compliance	3
RF Exposure Warning for North America and Australia.....	3
Expected LED Lifespan.....	3
2. Introduction	4
Description	4
Features	4
Product Overview.....	4
Product Dimensions	5
3. Setup	6
AC Power	6
AC Plug	6
Fuse Replacement	6
DMX Linking.....	6
Alternate DMX Access Diagram.....	6
Master/Slave Connectivity.....	7
Remote Device Management.....	7
Wireless Operation.....	7
Initial Setup	7
Wireless Configuration.....	7
Configuration with RDM2go.....	7
Product Pairing with RDM2go.....	8
Mounting	8
Orientation.....	8
Rigging	8
Procedure.....	8
Sconce Mounting	9
Recess Kit Installation	10
Lenses and Filter.....	12
Egg Crate	12
4. Operation	13
RDM2go Programming	13
Menu Map	13
Control Configuration	14
DMX Personalities.....	14
Starting Address.....	14
Control Channel Assignments and Values.....	14
Standalone Configuration.....	15
Static Dimmer.....	15
Static Strobe.....	15
Automatic Program	15
Automatic Program Speed.....	15

Settings Configuration	16
Master Slave	16
Dimmer Curve	16
Dimmer Speed Mode	16
Pulse Width Modulation	16
Emergency Mode	16
Reset Device Hours	16
Factory Reset.....	16
5. Maintenance.....	17
Product Maintenance	17
6. Technical Specifications	18
Contact Us	19
Warranty & Returns.....	19

Before You Begin

1. Before You Begin

What Is Included

- Ovation H-55WW
- 65°, 40°, and 25° lens
- 80° filter
- Egg crate
- Recess and scone mounting kits
- Quick Reference Guide

Claims

Carefully unpack the product immediately and check the container to make sure all the parts are in the package and are in good condition.




If the box or the contents (the product and included accessories) appear damaged from shipping, or show signs of mishandling, notify the carrier immediately, not Chauvet. Failure to report damage to the carrier immediately may invalidate the claim. In addition, keep the box and contents for inspection.

For other issues, such as missing components or parts, damage not related to shipping, or concealed damage, file a claim with Chauvet within 7 days of delivery.

Text Conventions

Convention	Meaning
1–512	A range of values
50/60	A set of values of which only one can be chosen
Settings	A menu option not to be modified
<ENTER>	A key to be pressed on the product's control panel

Symbols

Symbol	Meaning
	Critical installation, configuration, or operation information. Not following these instructions may make the product not work, cause damage to the product, or cause harm to the operator.
	Important installation or configuration information. The product may not function correctly if this information is not used.
	Useful information.

The term “DMX” used throughout this manual refers to the USITT DMX512-A digital data transmission protocol.

Connection of the control signal: DMX line

- The product has XLR sockets for DMX input and output.
- **Notice:** This control circuit is isolated and belongs to the Class 2 data port.
- The control circuit has a cumulative leakage current of less than 3.5 mA.



Safety Notes

Read all the following safety notes before working with this product. These notes contain important information about the installation, usage, and maintenance of this product.



This product contains no user-serviceable parts. Any reference to servicing in this User Manual will only apply to properly trained, certified technicians. Do not open the housing or attempt any repairs.



All applicable local codes and regulations apply to proper installation of this product.

- The luminaire is intended for professional use only.
- The luminaire should be positioned so that prolonged staring into the luminaire at a distance closer than 23.6 ft (7.2 m) is not expected.
- If the external flexible cable or cord of this luminaire is damaged, it shall be replaced by a special cord or cord exclusively available from the manufacturer or its service agent.
- The light source contained in this luminaire shall only be replaced by the manufacturer or its service agent or a similar qualified person.
- **CAUTION:**
 - This product's housing may be hot when operating. Mount this product in a location with adequate ventilation, at least 20 in (50 cm) from adjacent surfaces.
 - When transferring the product from extreme temperature environments, (e.g., cold truck to warm humid ballroom) condensation may form on the internal electronics of the product. To avoid causing a failure, allow the product to fully acclimate to the surrounding environment before connecting it to power.
 - Flashing light is known to trigger epileptic seizures. User must comply with local laws regarding notification of strobe use.
- **ALWAYS:**
 - Disconnect from power before cleaning the product or replacing the fuse.
 - Replace the fuse with the same type and rating.
 - Use a safety cable when mounting this product overhead.
 - Connect this product to a grounded and protected circuit.
- **DO NOT:**
 - Open this product. It contains no user-serviceable parts.
 - Look at the light source when the product is on.
 - Leave any flammable material within 20 cm of this product while operating or connected to power.
 - Connect this product to a dimmer or rheostat.
 - Operate this product if the housing, lenses, or cables appear damaged.
 - Operate this product outdoors or in any location where dust, excessive heat, water, or humidity may affect it (adhere to standards for the published IP rating).
- **ONLY** use the handles or the hanging/mounting brackets to carry this product.
- The maximum ambient temperature is 113 °F (45 °C). Do not operate this product at higher temperatures.
- The minimum startup temperature is -4°F (-20°C). Do not start the product at lower temperatures.
- The minimum ambient temperature is -22°F (-30°C). Do not operate the product at lower temperatures.
- To eliminate unnecessary wear and improve its lifespan, during periods of non-use completely disconnect the product from power via breaker or by unplugging it.
- In the event of a serious operating problem, stop using immediately.



If a Chauvet product requires service, contact Chauvet Technical Support.

Before You Begin

FCC Statement of Compliance

This device complies with Part 15 Part B of the FCC rules. Operation is subject to the following two conditions:

1. This device may not cause harmful interference, and
2. This device must accept any interference received, including interference that may cause undesired operation.

This equipment has been tested and found to comply with the limits for a Class B digital device, pursuant to Part 15 of the FCC Rules. These limits are designed to provide reasonable protection against harmful interference in a residential installation. This equipment generates uses and can radiate radio frequency energy and, if not installed and used in accordance with the instructions, may cause harmful interference to radio communications. However, there is no guarantee that interference will not occur in a particular installation. If this equipment does cause harmful interference to radio or television reception, which can be determined by turning the equipment off and on, the user is encouraged to try to correct the interference by one or more of the following measures:

- Reorient or relocate the receiving antenna.
- Increase the separation between the equipment and receiver.
- Connect the equipment into an outlet on a circuit different from that to which the receiver is connected.
- Consult the dealer or an experienced radio/TV technician for help.

Any changes or modifications not expressly approved by the party responsible for compliance could void the user's authority to operate the equipment.

RF Exposure Warning for North America and Australia

Warning! This equipment complies with FCC radiation exposure limits set forth for an uncontrolled environment. This equipment should be installed and operated with a minimum distance of 20 cm between the radiator and the user. This transmitter must not be co-located or operating in conjunction with any other antenna or transmitter.

Expected LED Lifespan

Over time, use and heat will gradually reduce LED brightness. Clustered LEDs produce more heat than single LEDs, contributing to shorter lifespans if always used at full intensity. The average LED lifespan is 40,000 to 50,000 hours. To extend LED lifespan, maintain proper ventilation around the product, and limit the overall intensity.

2. Introduction

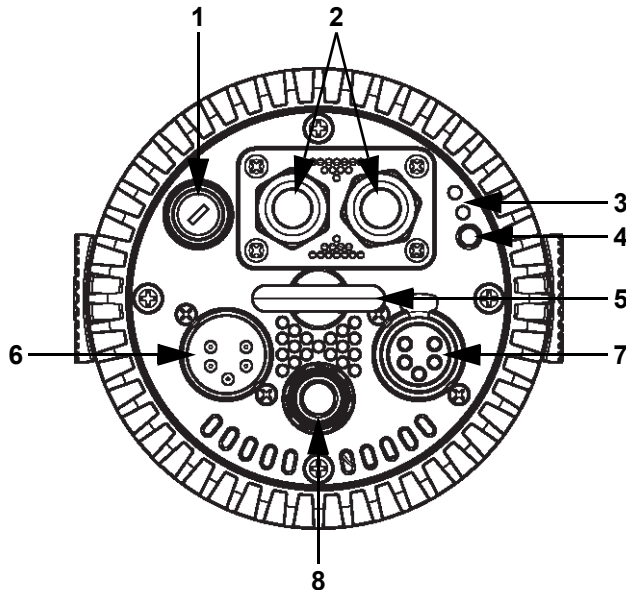
Description

The Ovation H-55WW is a small, silent, convection cooled LED house light with warm white output and high CRI, ideal for theaters, worship venues, recital halls, or any application with a small trim height. The Ovation H-55WW features 16-bit dimming, RDM and W-DMX control, adjustable PWM to prevent flickering on televised performances, and interchangeable lenses for height adjustment. For even more versatility, the yoke can be completely removed and the fixture suspended pendant style from a loop on the back plate.

Features

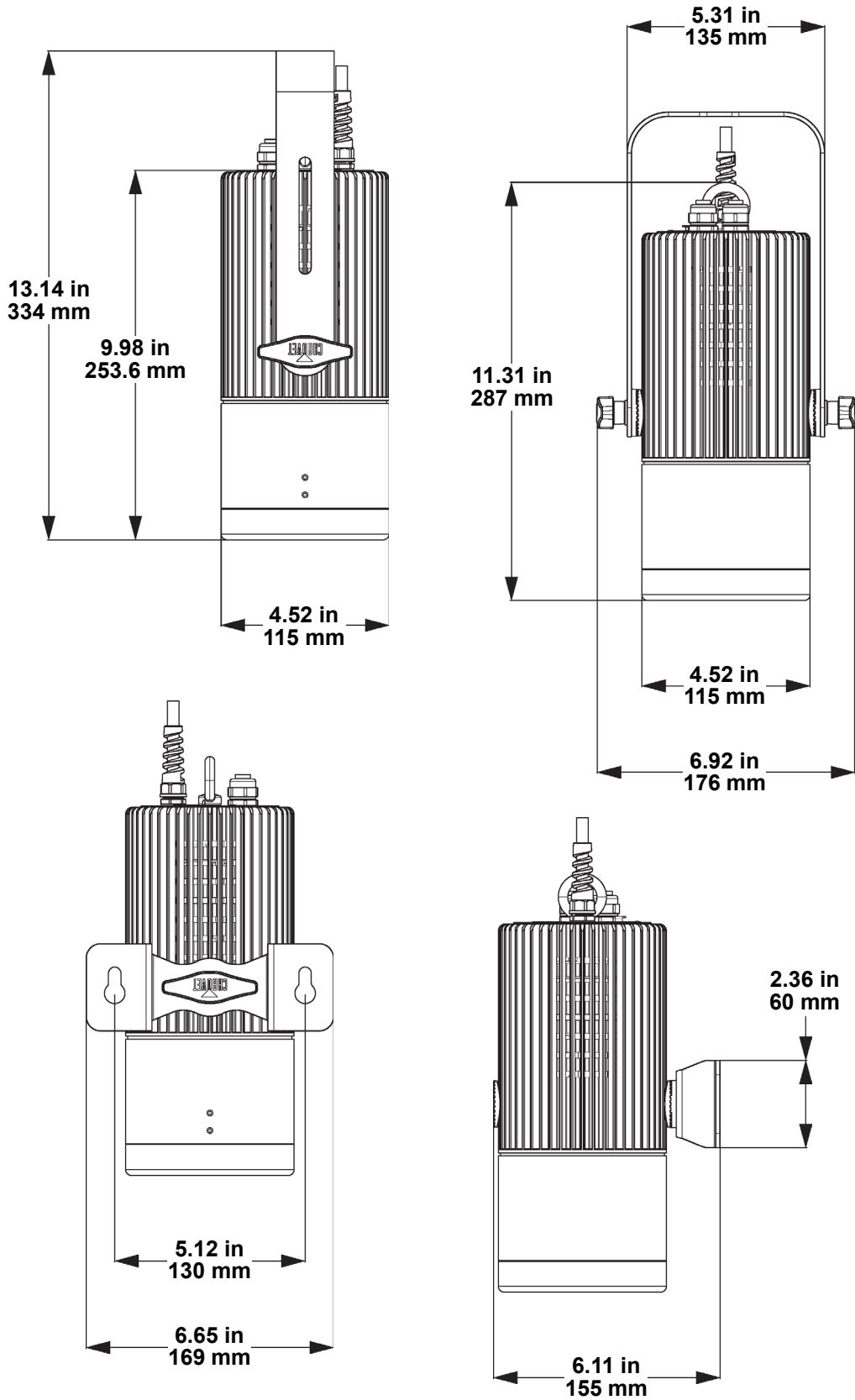
- Compact, warm white, convection cooled house light
- Interchangeable lens plates to adapt to different mounting heights
- 5-pin XLR and terminal blocks for DMX connections
- Use included yoke for mounting, or suspend from integrated loop-eye
- Included recess and sconce mounting kits
- 16-bit dimming for ultra-smooth fades
- DMX, WDMX and RDM (Remote Device Management) for added programming flexibility
- Adjustable PWM (Pulse Width Modulation) to avoid flickering on camera

Product Overview



#	Name
1	Fuse holder
2	Hard-wired DMX in/out
3	Indicator LEDs
4	W-DMX button
5	Safety loop
6	DMX in
7	DMX out
8	Fixed power cable

Product Dimensions



3. Setup

AC Power

The Ovation H-55WW has an auto-ranging power supply and it can work with an input voltage range of 100 to 240 VAC, 50/60 Hz.

To determine the product's power requirements (circuit breaker, power outlet, and wiring), use the current value listed on the label affixed to the product's back panel, or refer to the product's specifications chart. The listed current rating indicates the product's average current draw under normal conditions.



- **Always connect the product to a protected circuit (a circuit breaker or fuse). Make sure the product has an appropriate electrical ground to avoid the risk of electrocution or fire.**
- **To eliminate unnecessary wear and improve its lifespan, during periods of non-use completely disconnect the product from power via breaker or by unplugging it.**



Never connect the product to a rheostat (variable resistor) or dimmer circuit, even if the rheostat or dimmer channel serves only as a 0 to 100% switch.

AC Plug

The Ovation H-55WW comes with a bare ended power input cable. The product side of this power cable enters the product through a strain reliever (rubber boot) and it cannot be disconnected from the product. Use the table below to wire a plug to the power cable.

Connection	Wire (U.S.)	Wire (Europe)	Screw Color
AC Live	Black	Brown	Yellow or Brass
AC Neutral	White	Blue	Silver
AC Ground	Green/Yellow	Green/Yellow	Green

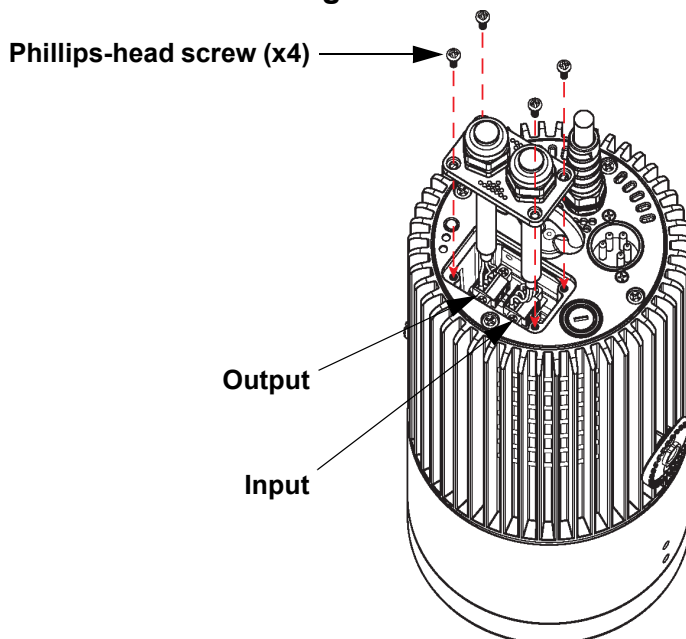
Fuse Replacement

1. Disconnect this product from the power outlet.
2. Using a flat-head screwdriver, unscrew the fuse holder cap from the housing.
3. Remove the blown fuse and replace with another fuse of the same type and rating (T2 A, 250 V).
4. Screw the fuse holder cap back in place and reconnect power.

DMX Linking

The Ovation H-55WW can link to a DMX controller using a 5-pin DMX connection, hard wiring with the Phoenix connectors, or a wireless W-DMX connection. For more information about DMX, read the DMX primer at: https://www.chauvetprofessional.com/wp-content/uploads/2016/06/DMX_Primer.pdf.

Alternate DMX Access Diagram



Master/Slave Connectivity

The Master/Slave mode allows a Ovation H-55WW (the master) to control one or more Ovation H-55WW products (the slaves) without a DMX controller. One Ovation H-55WW becomes the master when running an automatic program or static mode.

Each slave's control panel must be configured to operate in Slave mode. During Master/Slave operation, the slaves will operate in unison with the master.



DO NOT connect a DMX controller to products operating in Master/Slave mode. The DMX controller signals may interfere with the signals from the master.



The [Operation](#) section of this manual provides detailed instructions on how to configure the master and slaves.

Remote Device Management

Remote Device Management, or RDM, is a standard for allowing DMX-enabled devices to communicate bi-directionally along existing DMX cabling. Check the DMX controller's User Manual or with the manufacturer as not all DMX controllers have this capability. The Ovation H-55WW supports RDM protocol that allows feedback to make changes to menu map options.

Wireless Operation

In optimal conditions, the Ovation H-55WW can operate up to 300 m (900 ft) away from a W-DMX transmitter. It is necessary to pair the W-DMX receiver in this product with a W-DMX transmitter for wireless operation.

Initial Setup

1. Turn the W-DMX transmitter on.
2. Connect the W-DMX transmitter to a DMX controller.
3. Place the Ovation H-55WW within 300 m from the W-DMX transmitter.
4. Disconnect any DMX cable from the Ovation H-55WW.
5. Turn the Ovation H-55WW on.

Wireless Configuration

To configure the wireless mode, press and hold the button next to the indicator lights.

Mode	Wireless Indicator Light	Description
Off	Green/red off	Fixture is off
Receive mode	Green on, flashing slowly	In receiving mode
	Red off	Waiting for wireless connection
	Red on, solid	Connected with W-DMX Control, DMX input signal detected
	Red on, flashing slowly	Connected with W-DMX Control, no DMX input signal detected
	Red on, flashing quickly	Connected to W-DMX Control, signal is weak



W-DMX operation can be interrupted or inhibited by liquid masses between the transmitter and receiver such as water, snow, or people. For best results, keep the area between the transmitter and receiver clear of any liquid mass.



The RDM2go from Chauvet Professional, or another RDM-capable interface, is required to setup the product.

Configuration with RDM2go

To enable the Ovation H-55WW to receive W-DMX with an RDM interface:

1. Connect an RDM2go from Chauvet Professional (or another RMD-capable interface) to the DMX input of the Ovation H-55WW.
2. From the main menu, go to **Specific PIDS**.
3. Go to **7 > 8212 > W-DMX On/Off** and set the value to **1**.
4. Press the reset button on the W-DMX transmitter. (The red LED indicator on the Ovation H-55WW will be off until a connection is established. The green LED indicator will flash slowly while W-DMX is enabled)

Product Pairing with RDM2go

If the Ovation H-55WW has already been paired with the W-DMX transmitter, the red LED indicator will show the strength of the signal. In this case, the Ovation H-55WW is ready to work in wireless mode. To pair the Ovation H-55WW to a new W-DMX transmitter with an RDM interface:

1. Connect an RDM2go from Chauvet Professional (or another RMD-capable interface) to the DMX input of the Ovation H-55WW.
2. From the main menu, go to **Specific PIDS**.
3. Go to **8 > 8215 > Receive Reset** and set the value to **1**.
4. From the W-DMX transmitter, press **<RESET>** (the signal indicator on the transmitter will flash).
5. Once the transmitter has found the Ovation H-55WW, the signal indicator on the transmitter will illuminate solid.

Mounting

Before mounting the product, read and follow the safety recommendations indicated in the Safety Notes. For our Chauvet Professional line of mounting clamps, go to <http://trusst.com/products/>.

Orientation

Always mount this product in a safe position, making sure there is adequate room for ventilation, configuration, and maintenance.

Rigging

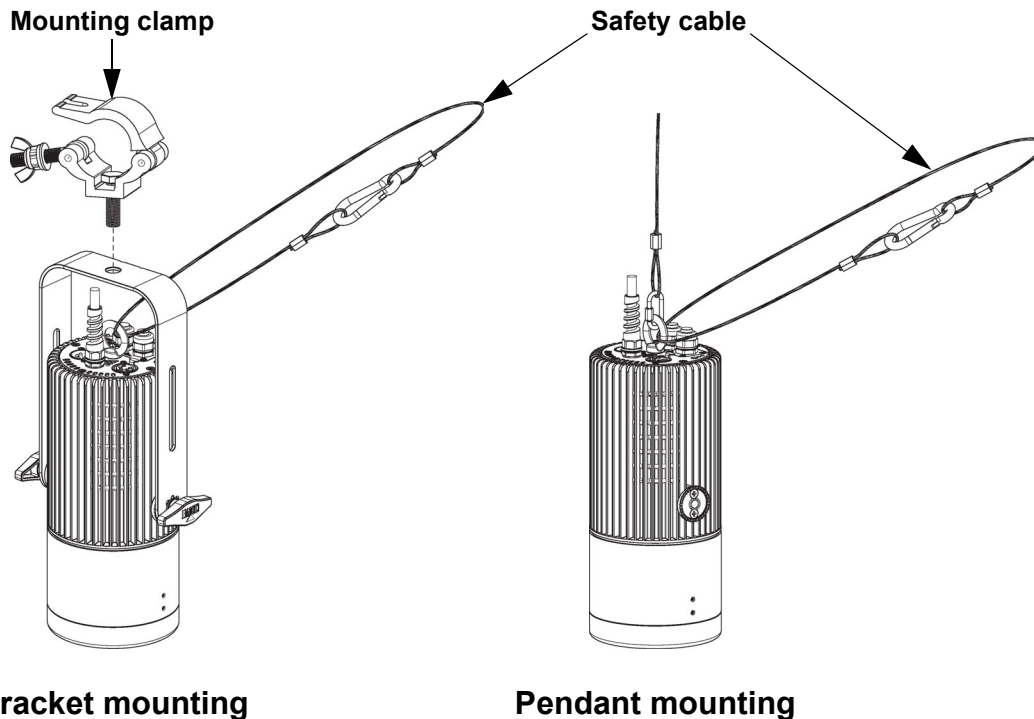
Chauvet recommends using the following general guidelines when mounting this product.

- Before deciding on a location for the product, make sure there is easy access to the product for maintenance and programming purposes.
- Make sure that the structure and attachment points can support the weight before hanging the product (see the [Technical Specifications](#) for weight information).
- When mounting the product overhead, always use a safety cable. Mount the product securely to a rigging point, whether an elevated platform or a truss.
- When rigging the product onto a truss, use a mounting clamp of appropriate weight capacity.

Procedure

The Ovation H-55WW comes with a mounting bracket to which the user can directly attach a mounting clamp (sold separately). It is also possible to remove the bracket and mount the product as a pendant from the safety loop. Make sure the mounting hardware is capable of supporting the weight of this product. For the Chauvet Professional line of mounting clamps, go to <http://www.trusst.com/products>.

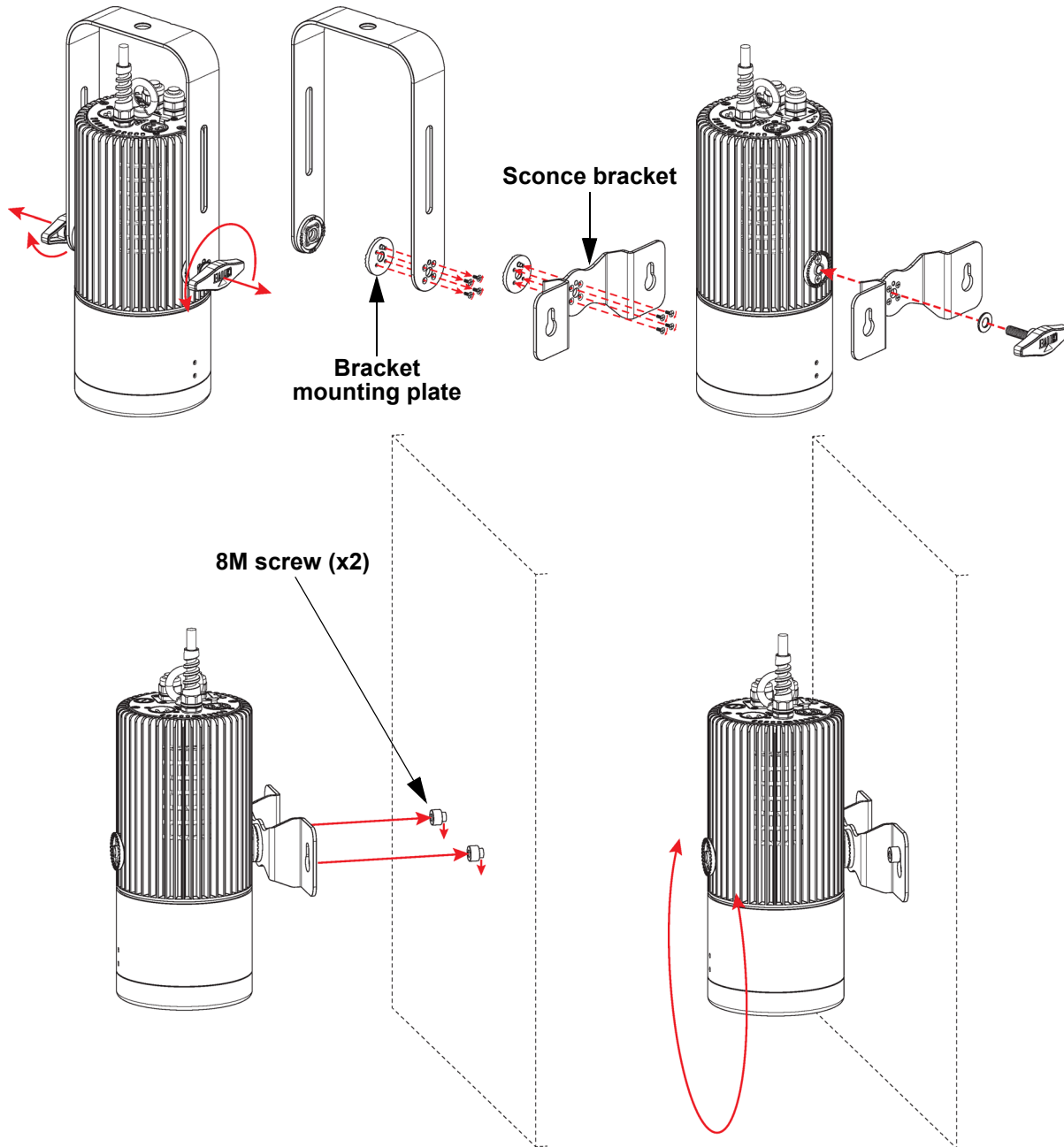
Mounting Diagram



Sconce Mounting

The Ovation H-55WW comes with a sconce kit for mounting the product to a wall. To install the sconce kit to the product and mount it to a wall:

1. Remove the mounting bracket by removing the bracket adjustment knobs.
2. Remove one of the bracket mounting plates from the bracket with a Phillips-head screwdriver.
3. Install the bracket mounting plate to the sconce bracket.
4. Install the sconce bracket to the product with one of the bracket adjustment knobs.
5. Install 2 M8 screws or bolts in the desired wall at the desired position, spaced so their centers are 5.12 in (130 mm) apart horizontally.
6. Place the tear-drop holes of the sconce bracket over the screws / bolts and slide down to secure.
7. Rotate to the desired angle and secure with the bracket adjustment knob.



Make sure the wall and hardware are capable of supporting the weight of the product.

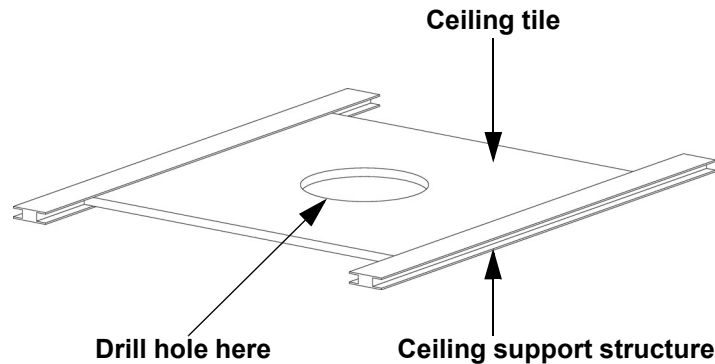
Recess Kit Installation

The Ovation H-55WW comes with a recess kit. Follow the instructions below to install the product to a ceiling tile.

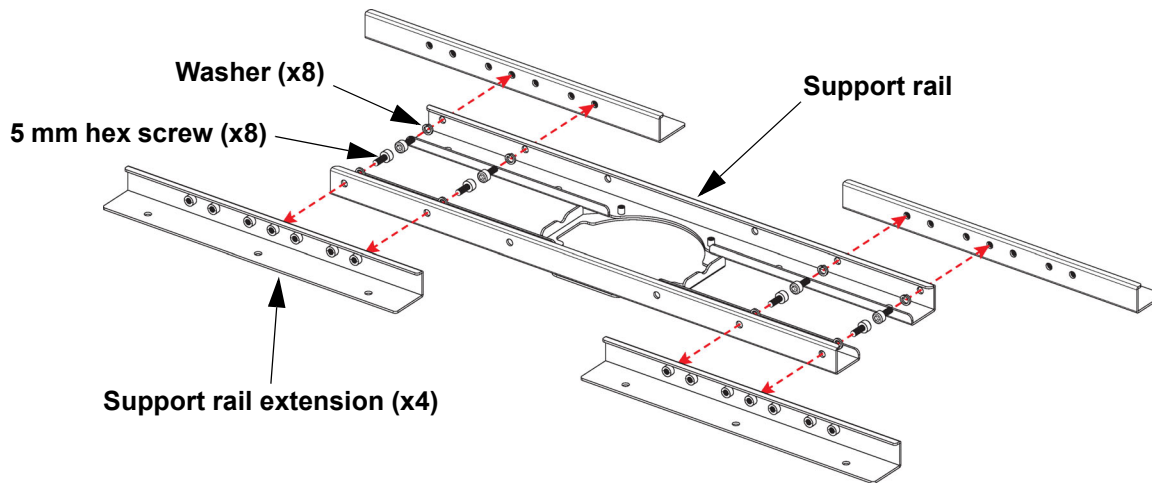


- **Make sure the ceiling can support the weight of the product and recess kit prior to installation.**
- **It is necessary to install the product and recess kit into a plenum space with adequate room for ventilation. Do not install into a confined space without airflow.**
- **The recess kit requires a distance of at least 20 in (508 mm) from wall to ceiling in all directions.**

1. Drill a 145–160 mm hole in the center of the ceiling tile.

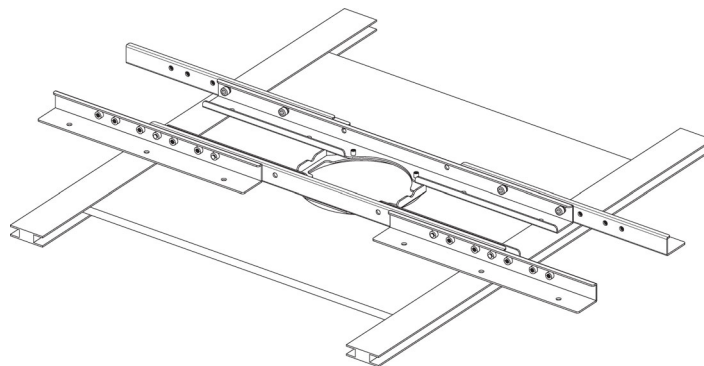


2. Attach the support rail extensions to the support rail using the included 5 mm hex screws and washers.

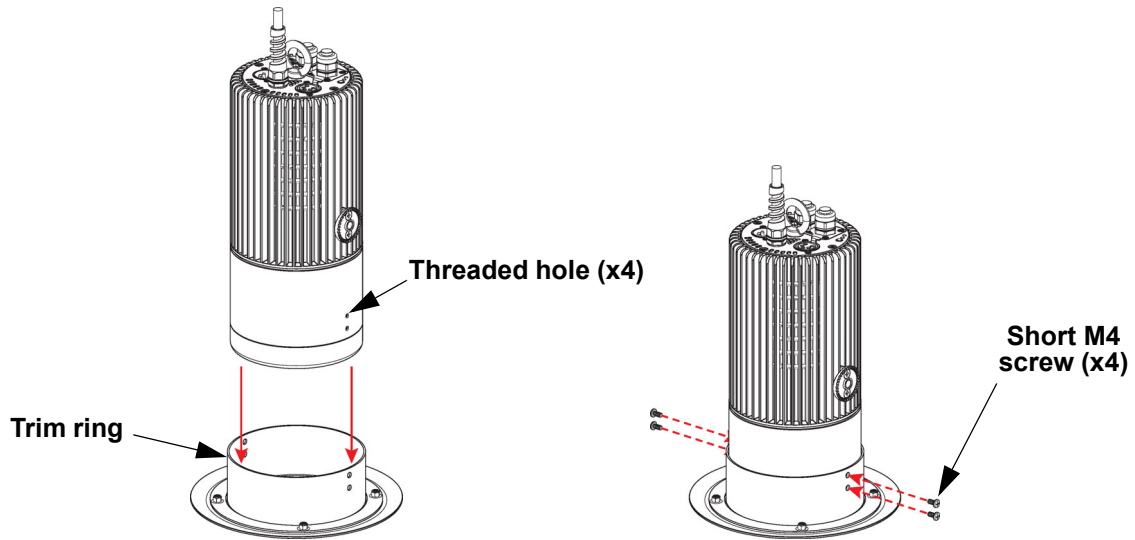


The support rail extensions provide 4 rail length options, up to a maximum of 33 in (838 mm).

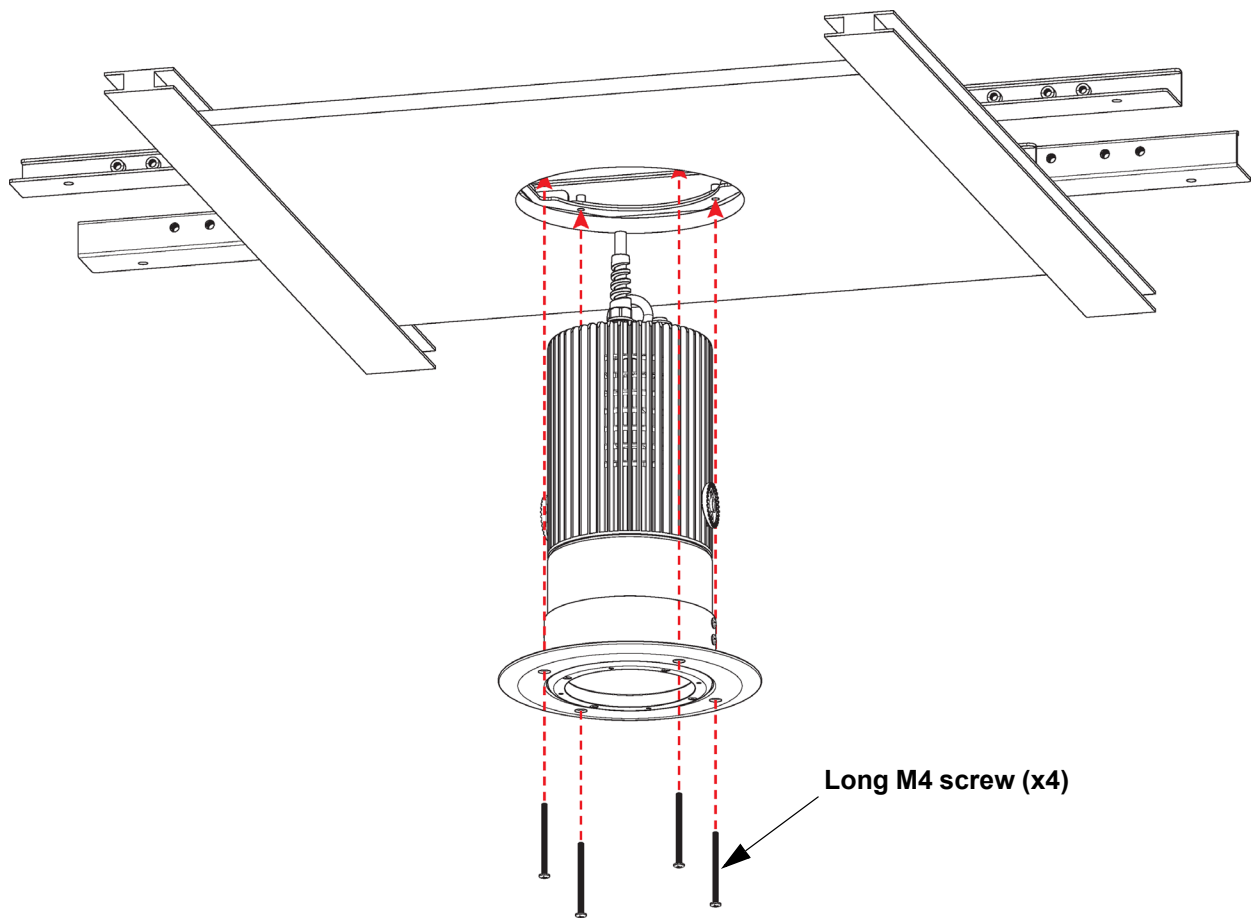
3. Place the assembled support rail and extensions over the ceiling support structure and hole.



4. Insert the product into the trim ring and secure with the included short M4 screws.

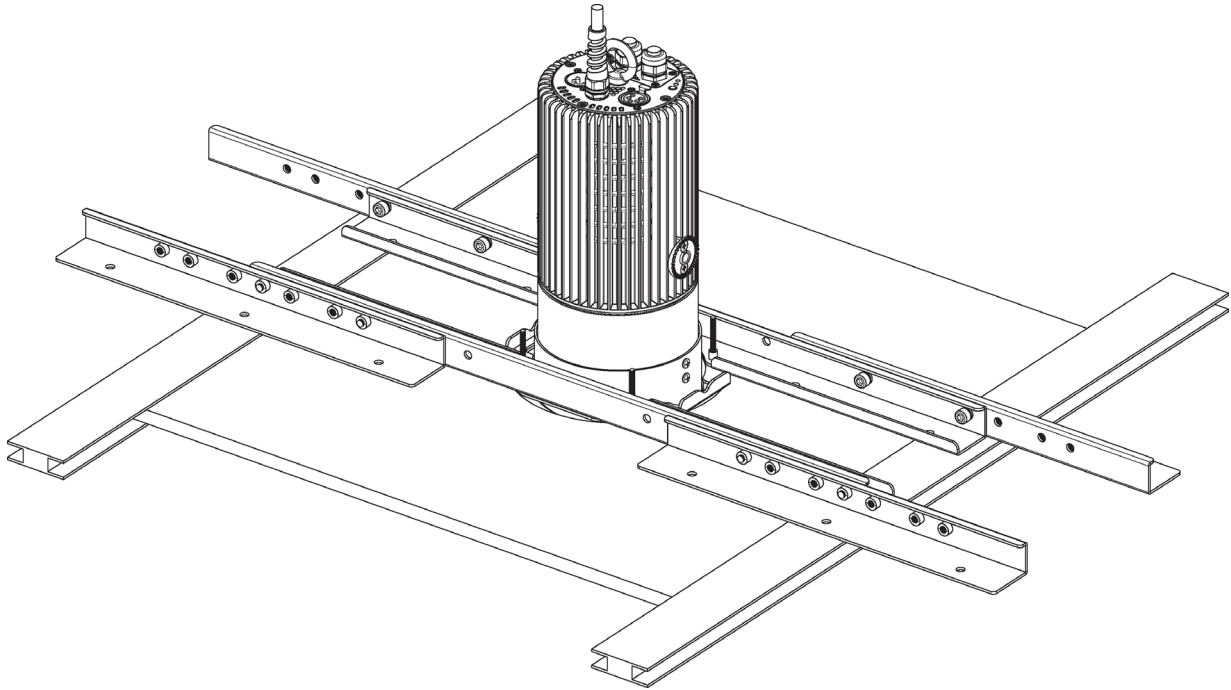


5. Install the trim ring to the support rail with the 4 included long M4 screws.



Make sure the trim ring is flush against the ceiling.

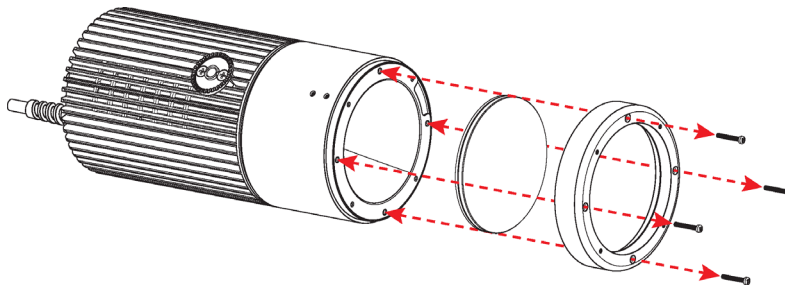
6. Installation is complete.



Lenses and Filter

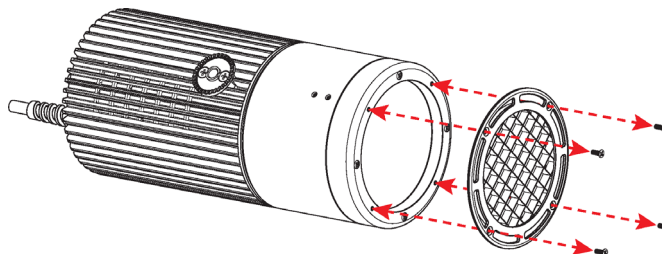
The Ovation H-55WW comes with multiple lenses and a filter for different applications and mounting heights. To change the lens or filter:

1. Remove the front cover of the product by removing 4 hex screws.
2. Swap out the lens or filter.
3. Re-install the front cover of the product with the 4 hex screws.



Egg Crate

The Ovation H-55WW comes with an optional egg crate which installs to the front of the product with 4 Phillips-head screws.



4. Operation

RDM2go Programming

The RDM2go from Chauvet Professional, or another RDM-capable interface, is required to setup and program the Ovation H-55WW. Plug the interface into the DMX input of the product to access the menu map.

Menu Map

Refer to the Ovation H-55WW product page on www.chauvetprofessional.com for the latest menu map and software.

Main Level	Programming Levels			Description	
DMX Address	Address	001–512		Selects starting address (*highest channel restricted to personality chosen)	
DMX Channel	1CH			1-channel: dimmer	
	2CH			2-channel: dimmer, 16-bit dimmer	
	3CH			3-channel: dimmer, 16-bit dimmer, strobe	
	6CH			6-channel: dimmer, 16-bit dimmer, strobe, auto programs, auto speed, control	
Dimmer Curve	SCurve			Sets the dimmer curve	
	Linear				
	Square				
	I Square				
Dimmer Mode	Off			Linear dimmer	
	Dimmer 1			Fast dimmer curve	
	Dimmer 2			Medium dimmer curve	
	Dimmer 3			Slow dimmer curve	
LED Frequency	600Hz			Selects the PWM output frequency	
	1200Hz				
	2000Hz				
	4000Hz				
	6000Hz				
	25KHz				
Factory Reset	No			Reset to factory defaults	
	Yes				
Specific PIDS	1	8206	Clean Device Hours	0	Do not reset device hours
				1	Reset device hours
	2	8207	Static-Dimmer	0–255	Dimmer (0–100%)
	3	8208	Static-Strobe	0–255	Strobe (0–100%)
	4	8209	Auto Show	1–4	Selects automatic programs
	5	8210	Auto Speed	1–100	Sets program speed
	6	8211	Master/Slave	0	Master mode
				1	Slave mode
	7	8212	W-DMX On/Off	0	W-DMX off
				1	W-DMX on
	8	8215	Receive Reset	0	Do not reset receiver
				1	Reset receiver
9	8216	Emergency Mode	0	Emergency mode off	
			1	Emergency mode on	

Control Configuration

Use an RDM2go from Chauvet Professional (or another RDM-capable interface) to set the control configurations and operate the product with a DMX controller.

DMX Personalities

To set the DMX personality:

1. Go to the **DMX Channel** main level.
2. Select the desired personality, from **1CH**, **2CH**, **3CH**, or **6CH**.



- See the [Starting Address](#) section for the highest selectable starting address for each personality.
- Make sure that the starting addresses on the various products do not overlap due to the new personality setting.

Starting Address

Each product will respond to a unique starting address from the controller. All products with the same starting address will respond in unison. To set the starting address:

1. Go to the **DMX Address** main level.
2. Select the starting address (**001–512**).
 - The highest recommended starting address for **1CH** is **512**.
 - The highest recommended starting address for **2CH** is **511**.
 - The highest recommended starting address for **3CH** is **510**.
 - The highest recommended starting address for **6CH** is **507**.

Control Channel Assignments and Values

1CH	2CH	3CH	6CH	Function	Value	Percent/Setting
1	1	1	1	Dimmer	000 ⇔ 255	0–100%
–	2	2	2	Dimmer Fine	000 ⇔ 255	0–100%
–	–	3	3	Strobe	000 ⇔ 010 011 ⇔ 255	No function Strobe, slow to fast
–	–	–	4	Auto Programs	000 ⇔ 010 011 ⇔ 070 071 ⇔ 130 131 ⇔ 190 191 ⇔ 255	No function Auto program 1 Auto program 2 Auto program 3 Auto program 4
–	–	–	5	Auto Speed	000 ⇔ 255	0–100%
–	–	–	6	Control (hold for 3 seconds)	000 ⇔ 007 008 ⇔ 015 016 ⇔ 023 024 ⇔ 031 032 ⇔ 039 040 ⇔ 047 048 ⇔ 055 056 ⇔ 063 064 ⇔ 071 072 ⇔ 079 080 ⇔ 255	No function Dimmer reset S-curve dimmer Linear dimmer Square dimmer curve Inverse square dimmer curve Dimmer speed mode OFF Dimmer speed 1 (fastest) Dimmer speed 2 Dimmer speed 3 (slowest) Reserved for future use

Operation

Standalone Configuration

Use an RDM2go from Chauvet Professional (or another RDM-capable interface) to set the product to run in a standalone mode.

Static Dimmer

To set the standalone dimmer of the product:

1. Go to the **Specific PIDS** main level.
2. Go to **2 > 8207 > Static-Dimmer**.
3. Set the dimmer value from **0–255**.

Static Strobe

To set the standalone strobe speed of the product:

1. Go to the **Specific PIDS** main level.
2. Go to **3 > 8208 > Static-Strobe**.
3. Set the strobe value from **0–255**.

Automatic Program

To set the product to run a standalone automatic program:

1. Go to the **Specific PIDS** main level.
2. Go to **4 > 8209 > Auto Show**.
3. Select an automatic program from **1–4**.

Automatic Program Speed

To set the standalone automatic program speed of the product:

1. Go to the **Specific PIDS** main level.
2. Go to **5 > 8210 > Auto Speed**.
3. Set the speed value from **1–100**.

Settings Configuration

Use an RDM2go from Chauvet Professional (or another RDM-capable interface) to configure the settings of the product.

Master Slave

To configure the product to act as a master or slave:

1. Go to the **Specific PIDS** main level.
2. Go to **6 > 8211 > Master/Slave**.
3. Select **0** (master) or **1** (slave).

Dimmer Curve

To set the dimmer curve:

1. Go to the **Dimmer Curve** main level.
2. Select the dimmer curve, from **SCurve**, **Linear**, **Square**, or **I Squa**.

Dimmer Speed Mode

To set the dimmer speed mode:

1. Go to the **Dimmer Mode** main level.
2. Select the dimmer curve, from **Off**, **Dimmer 1**, **Dimmer 2**, or **Dimmer 3**.

Pulse Width Modulation

To adjust the frequency of the pulse width modulation:

1. Go to the **LED Frequency** main level.
2. Select the frequency, from **600Hz**, **1200Hz**, **2000Hz**, **4000Hz**, **6000Hz**, or **25KHz**.

Emergency Mode

To enable the emergency mode of the product to activate in the event of DMX signal loss:

1. Go to the **Specific PIDS** main level.
2. Go to **9 > 8216 > Emergency Mode**.
3. Select **0** (disable) or **1** (enable).

Reset Device Hours

To reset the device hours counter of the product:

1. Go to the **Specific PIDS** main level.
2. Go to **1 > 8206 > Clean Device Hours**.
3. Select **0** (to cancel) or **1** (to reset the device hours counter).

Factory Reset

To reset the product to factory settings:

1. Go to the **Factory Reset** main level.
2. Select **No** (to cancel) or **Yes** (to reset the product configuration).

5. Maintenance

Product Maintenance

Dust build-up reduces light output performance and can cause overheating. This can lead to reduction of the light source's life and/or mechanical wear. To maintain optimum performance and minimize wear, clean each lighting product at least twice a month. However, be aware that usage and environmental conditions could be contributing factors to increase the cleaning frequency.

To clean the product, follow the instructions below:

1. Unplug the product from power.
2. Wait until the product is at room temperature.
3. Use a vacuum (or dry compressed air) and a soft brush to remove dust collected on the external surface/vents.
4. Clean all transparent surfaces with a mild soap solution, ammonia-free glass cleaner, or isopropyl alcohol.
5. Apply the solution directly to a soft, lint free cotton cloth or a lens cleaning tissue.
6. Softly drag any dirt or grime to the outside of the transparent surface.
7. Gently polish the transparent surfaces until they are free of haze and lint.



Always dry the transparent surfaces carefully after cleaning them.

6. Technical Specifications

Dimensions and Weight

Length	Width	Height	Weight
13.14 in (334 mm)	6.92 in (176 mm)	4.52 in (115 mm)	7.4 lb (3.4 kg)

Note: Dimensions in inches are rounded.

Power

Power Supply Type	Range	Voltage Selection
Switching (internal)	100–240 VAC, 50/60 Hz	Auto-ranging

Parameter	100 V, 60 Hz	120 V, 60 Hz	208 V, 60 Hz	230 V, 50 Hz	240 V, 50 Hz
Consumption	61 W	60 W	61 W	63 W	66 W
Operating current	0.613 A	0.497 A	0.297 A	0.269 A	0.270 A
Fuse	T2 A, 250 V	T2 A, 250 V	T2 A, 250 V	T2 A, 250 V	T2 A, 250 V

Power I/O	US/Canada	UK/Worldwide
Fixed power cord	Bare-wired	Bare-wired

Light Source

Type	Color	Quantity	Power	Current	Lifespan
LED	Warm white	1	129.5 W	1.45 A	50,000 hours

Photometrics

Lens / Filter	Beam Angle	Field Angle	Illuminance @ 5 m
80° filter	41°	126°	131 lux
65° lens	39°	73°	212 lux
40° lens	30°	58°	400 lux
25° lens	24°	39°	728 lux
25° egg crate	22.4°	38.3°	299 lux

Thermal

Minimum External Temp.	Maximum External Temp.	Cooling
-4 °F (-20 °C)	113 °F (45 °C)	Convection

DMX

I/O Connector	Channel Range
5-pin XLR, W-DMX	1, 2, 3, or 6

Ordering

Product	Item Name	Item Code	UPC Number
Ovation H-55WW (black)	OVATIONH55WWBLK	03031628	781462219765
Ovation H-55WW (white)	OVATIONH55WWWHT	03031627	781462219758



Contact Us

General Information	Technical Support
Chauvet World Headquarters	
Address: 3360 Davie Rd., Suite 509 Davie, FL 33314 Voice: (954) 577-4455 Fax: (954) 929-5560 Toll Free: (800) 762-1084	Voice: (844) 393-7575 Fax: (954) 756-8015 Email: chauvetcs@chauvetlighting.com Website: www.chauvetprofessional.com
Chauvet U.K.	
Address: Pod 1 EVO Park Little Oak Drive, Sherwood Park Nottinghamshire, NG15 0EB UK Voice: +44 (0) 1773 511115 Fax: +44 (0) 1773 511110	Email: UKtech@chauvetlighting.eu Website: www.chauvetprofessional.eu
Chauvet Benelux	
Address: Stokstraat 18 9770 Kruishoutem Belgium Voice: +32 9 388 93 97	Email: BNLtech@chauvetlighting.eu Website: www.chauvetprofessional.eu
Chauvet France	
Address: 3, Rue Ampère 91380 Chilly-Mazarin France Voice: +33 1 78 85 33 59	Email: FRtech@chauvetlighting.fr Website: www.chauvetprofessional.eu
Chauvet Germany	
Address: Bruno-Bürgel-Str. 11 28759 Bremen Germany Voice: +49 421 62 60 20	Email: DEtech@chauvetlighting.de Website: www.chauvetprofessional.eu
Chauvet Mexico	
Address: Av. de las Partidas 34 - 3B (Entrance by Calle 2) Zona Industrial Lerma Lerma, Edo. de México, CP 52000 Voice: +52 (728) 690-2010	Email: servicio@chauvet.com.mx Website: www.chauvetprofessional.mx

Warranty & Returns

For warranty terms and conditions and return information, please visit our website.

For customers in the United States and Mexico: www.chauvetlighting.com/warranty-registration.

For customers in the United Kingdom, Republic of Ireland, Belgium, the Netherlands, Luxembourg, France, and Germany: www.chauvetlighting.eu/warranty-registration.