

USER MANUAL

OVATION

CYC 1 FC



Edition Notes

The Ovation CYC 1 FC User Manual includes a description, safety precautions, installation, programming, operation and maintenance instructions for the Ovation CYC 1 FC as of the release date of this edition.

Trademarks

CHAUVET, the Chauvet logo and Ovation CYC 1 FC are registered trademarks or trademarks of Chauvet & Sons, LLC (d/b/a Chauvet and Chauvet Lighting) in the United States and other countries. Other company and product names and logos referred to herein may be trademarks of their respective companies.

Copyright Notice

The works of authorship contained in this manual, including, but not limited to, all design, text and images are owned by Chauvet.

© **Copyright 2020 Chauvet & Sons, LLC. All rights reserved.**

Electronically published by Chauvet in the United States of America.

Manual Use

Chauvet authorizes its customers to download and print this manual for professional information purposes only. Chauvet expressly prohibits the usage, copy, storage, distribution, modification, or printing of this manual or its content for any other purpose without written consent from Chauvet.

Document Printing

For best results, print this document in color, on letter size paper (8.5 x 11 in), double-sided. If using A4 paper (210 x 297 mm), configure the printer to scale the content accordingly.

Intended Audience

Any person installing, operating, and/or maintaining this product should completely read through the guide that shipped with the product, as well as this manual, before installing, operating, or maintaining this product.

Disclaimer

Chauvet believes that the information contained in this manual is accurate in all respects. However, Chauvet assumes no responsibility and specifically disclaims any and all liability to any party for any loss, damage or disruption caused by any errors or omissions in this document, whether such errors or omissions result from negligence, accident or any other cause. Chauvet reserves the right to revise the content of this document without any obligation to notify any person or company of such revision, however, Chauvet has no obligation to make, and does not commit to make, any such revisions. Download the latest version from www.chauvetprofessional.com.

Document Revision

This Ovation CYC 1 FC User Manual is the 1st edition of this document. Go to www.chauvetprofessional.com for the latest version.

TABLE OF CONTENTS

1. Before You Begin	1
What Is Included	1
Claims	1
Manual Conventions	1
Symbols	1
Safety Notes.....	2
Personal Safety.....	2
Mounting and Rigging	2
Power and Wiring.....	2
Operation	2
Expected LED Lifespan.....	2
2. Introduction	3
Description	3
Features.....	3
Product Overview.....	3
Product Dimensions.....	4
3. Setup	5
AC Power.....	5
AC Plug.....	5
Power Linking.....	5
DMX Linking.....	6
DMX Personalities.....	6
Master/Slave Connectivity.....	6
Remote Device Management (RDM).....	6
Mounting	7
Orientation.....	7
Rigging.....	7
Procedure.....	7
4. Operation	8
Control Panel Operation.....	8
Control Options	8
Programming.....	8
Menu Map	8
Configuration (DMX)	11
DMX Personalities.....	11
DMX Control.....	11
DMX Values	12
16Ch.....	12
14Ch.....	13
13Ch.....	13
11Ch.....	14
8Ch.....	14
5Ch.....	15
4Ch.....	15
2Ch.....	15
HSV.....	15
Virtual Color Wheel	16
Virtual Color Wheel Chart	16
Color Temperature Chart	17

Configuration (Standalone)	17
Auto Programs	17
Red Shift	17
Master/Slave	17
White Balance	18
Virtual Color Wheel	18
Color Temperature	18
Manual Color Mixer	18
Dimmer Curve	18
Dimmer Profiles	18
White Balance	18
LED Frequency	19
Back Light	19
System Information	19
Factory Reset	19
5. Technical Information	20
Product Maintenance	20
6. Technical Specifications	21
Returns	22
Contact Us	23

Before You Begin

1. Before You Begin

What Is Included

- Ovation CYC 1 FC
- Neutrik® powerCON® power cord
- Omega brackets with mounting hardware
- Quick Reference Guide

Claims

Carefully unpack the product immediately and check the container to make sure all the parts are in the package and are in good condition.





If the box or the contents (the product and included accessories) appear damaged from shipping, or show signs of mishandling, notify the carrier immediately, not Chauvet. Failure to report damage to the carrier immediately may invalidate your claim. In addition, keep the box and contents for inspection.

For other issues, such as missing components or parts, damage not related to shipping, or concealed damage, file a claim with Chauvet within 7 days of delivery.

Manual Conventions

Convention	Meaning
1–512	A range of values
50/60	A set of values of which only one can be chosen
<SET>	A button on the product's control panel
Settings	A product function or a menu option

Symbols

Symbol	Meaning
	Electrical warning. Not following these instructions may cause electrical damage to the product, accessories, or the user.
	Critical installation, configuration, or operation information. Not following these instructions may make the product not work, cause damage to the product, or cause harm to the operator.
	Important installation or configuration information. The product may not function correctly if this information is not used.
	Useful information.



Any reference to data or power connections in this manual assumes the use of Neutrik® powerCON® cables.



The term “DMX” used throughout this manual refers to the USITT DMX512-A digital data transmission protocol.

FCC Compliance

This device complies with Part 15 Part B of the FCC Rules. Operation is subject to the following two conditions:

1. This device may not cause harmful interference, and
2. This device must accept any interference received, including interference that may cause undesired operation.

Any changes or modifications not expressly approved by the party responsible for compliance could void the user's authority to operate the equipment.

Safety Notes

Read all the following safety notes before working with this product. These notes contain important information about the installation, usage, and maintenance of this product.



This product contains no user-serviceable parts. Any reference to servicing in this User Manual will only apply to properly trained, certified technicians. Do not open the housing or attempt any repairs.



All applicable local codes and regulations apply to proper installation of this product.

Personal Safety

- Avoid direct eye exposure to the light source while the product is on.
- Always disconnect the product from the power source before cleaning or replacing the fuse.
- Always connect the product to a grounded circuit to avoid the risk of electrocution.
- Do not touch the product's housing when operating because it may be very hot.

Mounting and Rigging

- This product is not intended for permanent installation.
- This product is for indoor use only! To prevent risk of fire or shock, do not expose this product to rain or moisture. (IP20)
- CAUTION: When transferring product from extreme temperature environments, (e.g. cold truck to warm humid ballroom) condensation may form on the internal electronics of the product. To avoid causing a failure, allow product to fully acclimate to the surrounding environment before connecting it to power.
- Mount this product in a location with adequate ventilation, at least 20 in (50 cm) from adjacent surfaces.
- Make sure there are no flammable materials close to this product while it is operating.
- When hanging this product, always secure to a fastening device using a safety cable.
- Never carry the product by the power cord.

Power and Wiring

- Make sure the power cord is not crimped or damaged.
- Always make sure you are connecting this product to the proper voltage in accordance with the specifications in this manual or on the product's specification label.
- To eliminate unnecessary wear and improve its lifespan, during periods of non-use completely disconnect the product from power via breaker or by unplugging it.
- Never connect this product to a dimmer pack or rheostat.
- Make sure to replace the fuse with another of the same type and rating.
- Never disconnect this product by pulling or tugging on the power cable.

Operation

- Do not operate this product if there is damage on the housing, lenses, or cables. Have the damaged parts replaced by an authorized technician at once.
- Do not cover the ventilation slots when operating to avoid internal overheating.
- The maximum ambient temperature is 113 °F (45 °C). Do not operate the product at higher temperatures.
- In the event of a serious operation problem, stop using this product immediately!



If your Chauvet product requires service, contact Chauvet Technical Support.

Expected LED Lifespan

Over time, use and heat will gradually reduce LED brightness. Clustered LEDs produce more heat than single LEDs, contributing to shorter lifespans if always used at full intensity. The average LED lifespan is 40,000 to 50,000 hours. To extend LED lifespan, maintain proper ventilation around the product, and limit the overall intensity.

2. Introduction

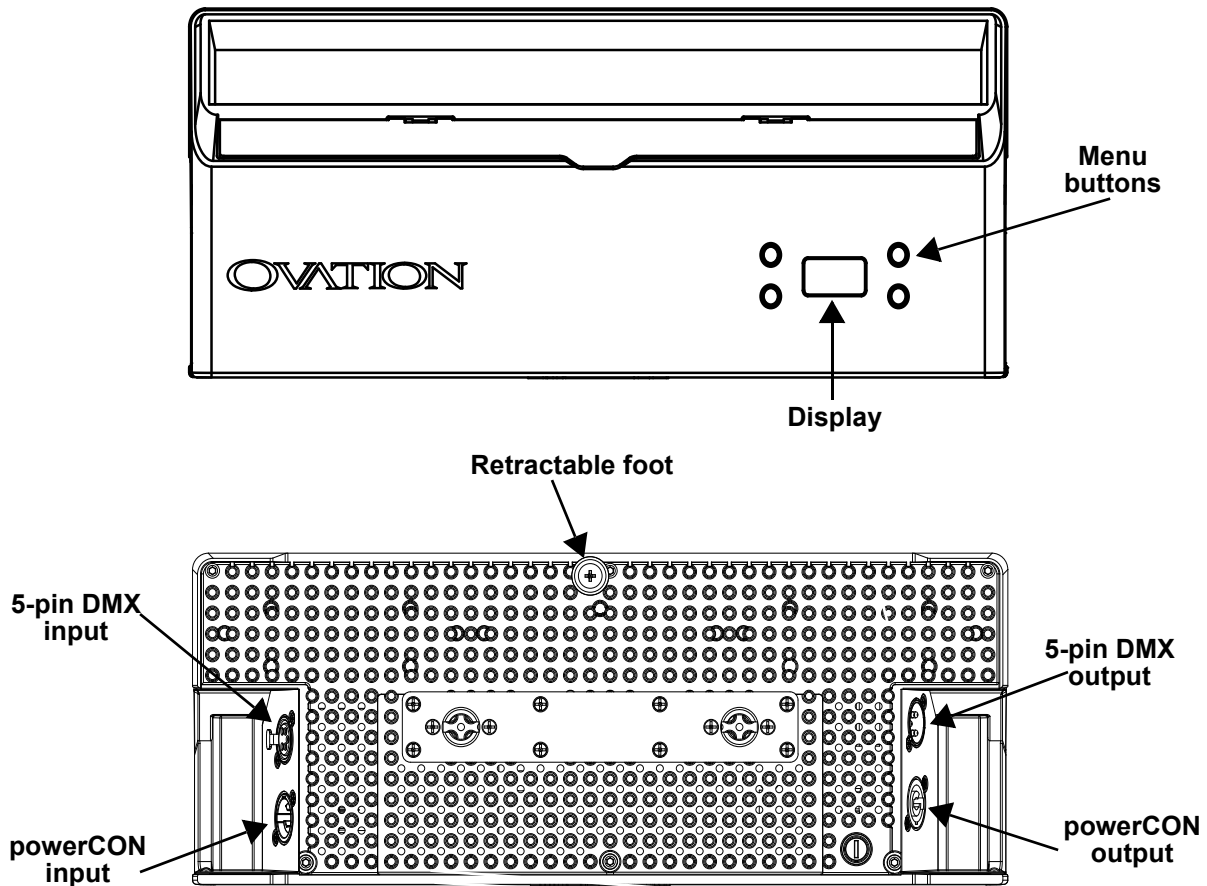
Description

The Ovation CYC 1 FC is an incredibly sleek, discreet, and lightweight CYC that delivers a wide, smooth field of light with significant reach. The unit is completely convection cooled, making it ideal for applications where silent operation is critical. The Ovation CYC 1 FC features the advanced RGBAL color-mixing system found in other Chauvet full-color Ovation units to render nearly any color with hyper-realism and saturation. Its low profile makes it perfect for use as a footlight. The versatile fixture has an integrated kickstand and a glare shield that can adjust and shape its throw.

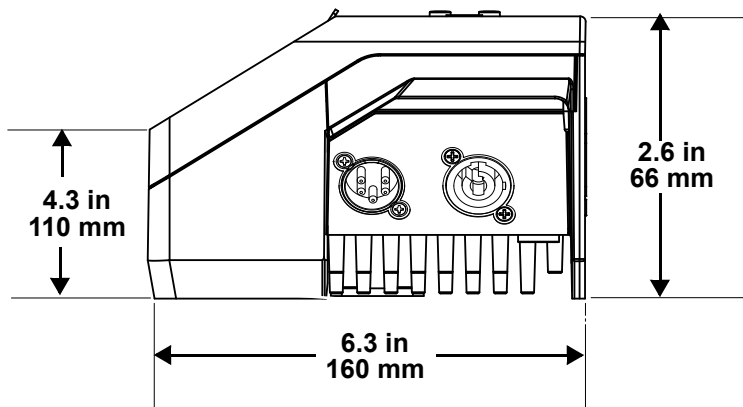
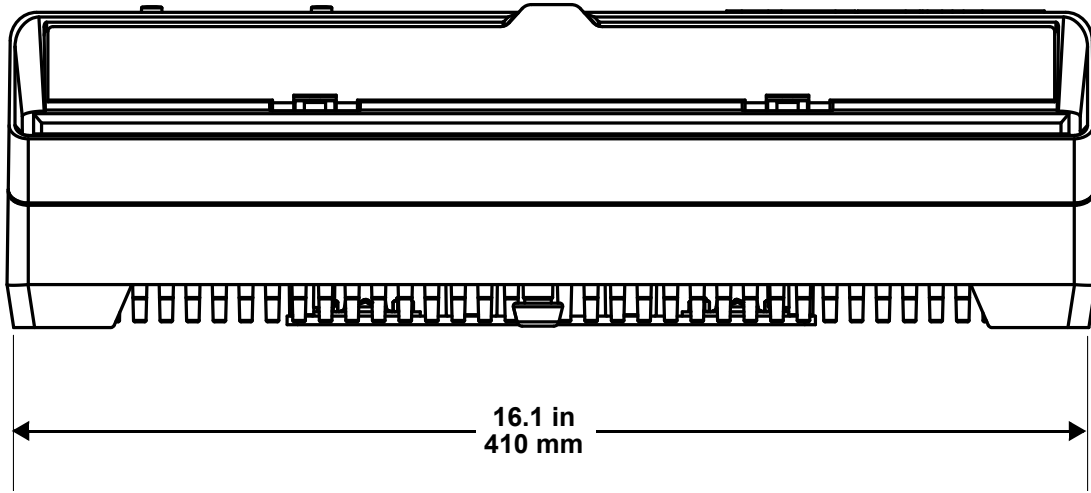
Features

- Low-profile and lightweight cyclorama wash or footlight fixture
- Display a full spectrum of hues with RGBAL LEDs for theater, film, and production
- Theater-ready with 16-bit dimming of master dimmer and individual colors
- Beam modification with built-in kickstand and adjustable glare shield
- Flat, even field of light with superior color mixing
- Virtual color wheel with color matched to popular gel colors and color temperature presets
- RDM (Remote Device Management) for added flexibility
- Adjustable PWM (Pulse Width Modulation) to avoid flickering on camera
- Silent operation for use in studio and theater applications

Product Overview



Product Dimensions



3. Setup

AC Power

Each Ovation CYC 1 FC has an auto-ranging power supply that works with an input voltage range of 100 to 240 VAC, 50/60 Hz. To determine the power requirements for each Ovation CYC 1 FC, refer to the label affixed to the product or to the [Technical Specifications](#) chart in this manual.

The listed current rating indicates the maximum current draw during normal operation. For more information, download Sizing Circuit Breakers from the Chauvet website: www.chauvetprofessional.com.



- **Always connect the product to a protected circuit (fuse or circuit breaker). Make sure the product has an appropriate electrical ground to avoid the risk of electrocution or fire.**
- **To eliminate unnecessary wear and improve its lifespan, during periods of non-use completely disconnect the product from power via breaker or by unplugging it.**



Never connect the product to a rheostat (variable resistor) or dimmer circuit, even if the rheostat or dimmer channel serves only as a 0 to 100% switch.

AC Plug

The Ovation CYC 1 FC comes with a power input cord terminated with a Neutrik® powerCON® A connector on one end and an Edison plug on the other end (U.S. market). If the power input cord that came with the product has no plug or if the plug needs to be changed, use the table below to wire the new plug.

Connection	Wire (U.S.)	Wire (Europe)	Screw Color
AC Live	Black	Brown	Yellow or Brass
AC Neutral	White	Blue	Silver
AC Ground	Green/Yellow	Green/Yellow	Green

Power Linking

The product supports power linking. You can power link up to 12 Ovation CYC 1 FC products at 120 V, up to 21 products at 208 V, or up to 23 products at 230 V. The Ovation CYC 1 FC comes with a power input cord. Power-linking cables are available for purchase from Chauvet.

DMX Linking

The Ovation CYC 1 FC can be linked to a DMX controller using a 5-pin DMX connection. If using other DMX-compatible products with this product, each can be controlled individually with a single DMX controller.

DMX Personalities

The Ovation CYC 1 FC uses a 5-pin DMX data connection for its nine DMX personalities **2Ch, 4Ch, 5Ch, 8Ch, 11Ch, 13Ch, 14Ch, 16Ch**, and **HSV**:

- Refer to the [Introduction](#) for a brief description of each DMX personality.
- Refer to the [Operation](#) chapter to learn how to configure the Ovation CYC 1 FC to work in these personalities.
- The [DMX Values](#) section provides detailed information regarding the DMX personalities.



If you are not familiar with or need more information about DMX standards, Master/Slave connectivity, or the DMX cables needed to link this product to a DMX controller, download the DMX Primer from the Chauvet website: www.chauvetprofessional.com.

Master/Slave Connectivity

The Master/Slave mode allows a Ovation CYC 1 FC (the master) to control one or more Ovation CYC 1 FC products (the slaves) without a DMX controller. One Ovation CYC 1 FC becomes the master when running in auto show or VCW modes.

Each slave's control panel must be configured to operate in Slave mode. During Master/Slave operation, the slaves will operate in unison with the master.



DO NOT connect a DMX controller to products operating in Master/Slave mode. The DMX controller signals may interfere with the signals from the master.



- The [Operation](#) section of this manual provides detailed instructions on how to configure the master and slaves.
- For more information about DMX standards or the DMX cables needed to link this product to a DMX controller, download the DMX Primer from the Chauvet website: www.chauvetprofessional.com.

Remote Device Management (RDM)

Remote Device Management, or RDM, is a standard for allowing DMX-enabled devices to communicate bi-directionally along existing DMX cabling. Check the DMX controller's User Manual or with the manufacturer, as not all DMX controllers have this capability. The Ovation CYC 1 FC supports RDM protocol that allows feedback to make changes to menu map options.

Setup

Mounting

Before mounting the product, read and follow the safety recommendations indicated in the Safety Notes. For CHAUVET Professional line of mounting clamps, go to www.trusst.com/products.

Orientation

Always mount this product in a safe position, making sure there is adequate room for ventilation, configuration, and maintenance.

Rigging

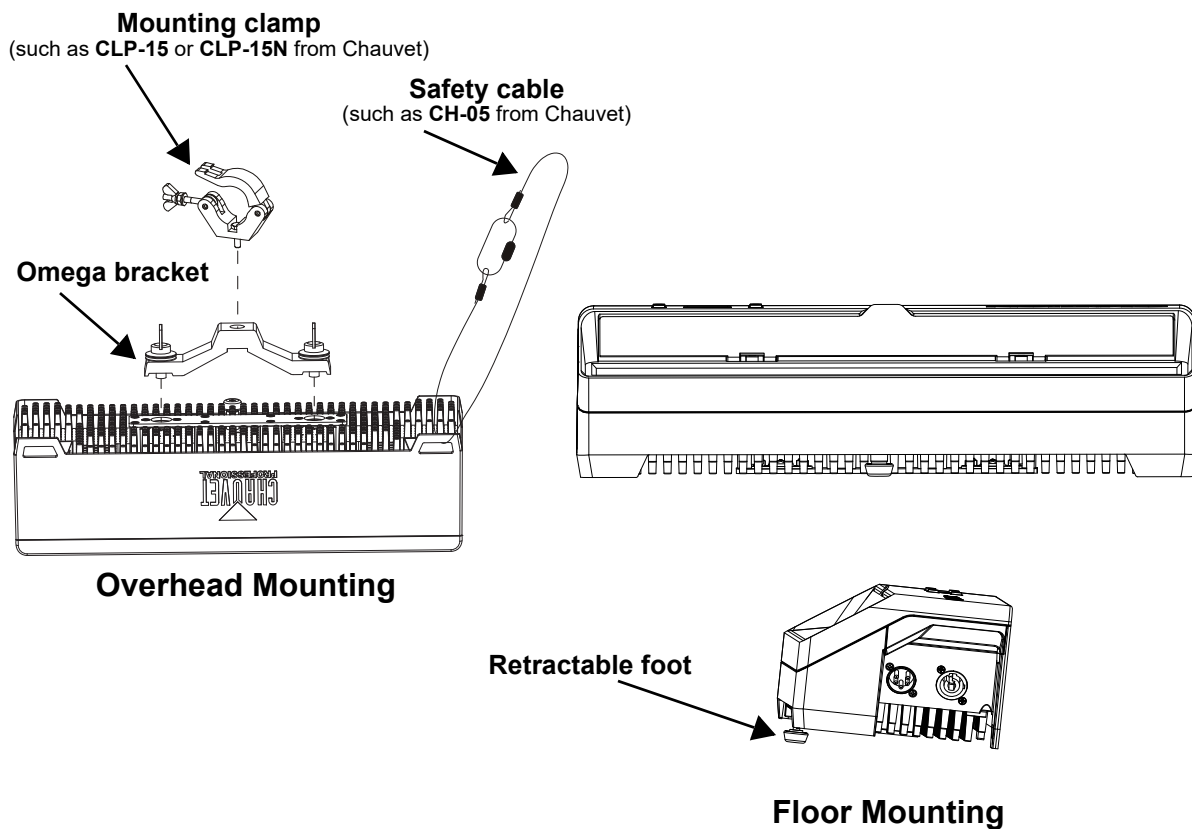
Chauvet recommends using the following general guidelines when mounting this product:

- Before deciding on a location for the product, make sure there is easy access to the product for maintenance and programming purposes.
- Make sure that the structure onto which you are mounting the product can support the product's weight. See the [Technical Specifications](#) for weight information.
- When mounting the product overhead, always use a safety cable. Mount the product securely to a rigging point, whether an elevated platform or a truss.
- When rigging the product onto a truss, use a mounting clamp of appropriate weight capacity.
- When power linking multiple products, mount the products close enough for power-linking cables to reach.
- The bracket adjustment knobs allow for directional adjustment when aiming the product to the desired angle. Only loosen or tighten the bracket knobs manually. Using tools could damage the knobs.

Procedure

The Ovation CYC 1 FC comes with a double-bracketed yoke to which mounting clamps can be attached for hanging or simply use as a floor stand. Mounting clamps are sold separately. Make sure the clamps are capable of supporting the weight of this product. Use at least one mounting point per product. For the CHAUVET Professional line of mounting clamps, go to www.trusst.com/products.

Mounting Diagram



4. Operation

Control Panel Operation

Button	Function
<MENU>	Exits from the current menu or function
<ENTER>	Enables the currently displayed menu or sets the currently selected value in to the current function
<UP>	Navigates upward through the menu list or increases the numeric value when in a function
<DOWN>	Navigates downward through the menu list or decreases the numeric value when in a function

Control Options

Set the Ovation CYC 1 FC starting address in the 001-512 DMX range. This enables control of up to 23 products in the 16-channel personality.

Programming

Refer to the Menu Map to understand the menu options. The menu map shows the main level and a variable number of programming levels for each option.

- To go to the desired main level, press <MENU> repeatedly until the option shows on the display. Press <ENTER> to select. This will take you to the first programming level for that option.
- To select an option or value within the current programming level, press <UP> or <DOWN> until the option shows on the display. Press <ENTER> to select. In this case, if there is another programming level, you will see that first option, or you will see the selected value.
- Press <MENU> repeatedly to exit to the previous main level.

Menu Map

Main Level	Programming Levels	Description
Start Address	001–512*	Selects starting address (*highest channel restricted to personality chosen)
DMX Channel	2 Ch	2-channel: Dimmer, red shift
	4 Ch	4-channel: Dimmer, virtual color wheel, color temperature, red shift
	5 Ch	5-channel: RGBAL
	8 Ch	8-channel: Dimmer, RGBAL, strobe, red shift
	11 Ch	11-channel: 16-bit dimmer, RGBAL, strobe, virtual color wheel, color temperature, red shift
	13 Ch	13-channel: Dimmer, RGBAL, strobe, virtual color wheel, color temperature, auto programs, auto speed, dimmer speed mode, red shift
	14 Ch	14-channel: 16-bit dimmer, 16-bit RGBAL, strobe, red shift
	16 Ch	16-channel: 16-bit dimmer, 16-bit RGBAL, strobe, virtual color wheel, color temperature, red shift
	HSV	HSV control

Main Level	Programming Levels		Description	
Virtual Color Wheel	Virtual Color Wheel	C3050 - Md Yellow	Virtual Color Wheel simulates the output of each gel color. Refer to the Virtual Color Wheel Chart for specific values.	
		C3040 - Lt Yellow		
		C3240 - Amb Yellow		
		C2340 - VLt Amber		
		C2040 - Lt Amber		
		C2050 - Md Amber		
		C2060 - Dk Amber		
		C1050 - Lt Red		
		C1080 - Md Red		
		C1020 - NC Pink		
		C1030 - Md Pink		
		C1630 - Dk Pink		
		C1250 - Md Red Amber		
		C1060 - Dk Red Amber		
		C1650 - Magenta		
		C6170 - Dk Magenta		
		C6020 - Lt Lavender		
		C5030 - Lt Blue		
		C5020 - VLt Blue		
		C5430 - Lt Blue 2		
		C5070 - Blue		
		C5050 - Md Blue		
		C5060 - Dk Blue		
		C5690 - Indigo		
		C5080 - VDk Blue		
	C5081 - VDk Blue 2			
	C4370 - Yel Green			
	C4070 - Green			
	C4550 - Turquoise			
	C4560 - Aqua			
	C4570 - Blue Green			
	Color Temperature	2800K		Preset white color temperatures. Emulates a tungsten lamp at the specified color temperature. Refer to the Color Temperature Chart section for specific values.
		3000K		
		3200K		
		3500K		
4000K				
4500K				
5000K				
5600K				
6000K				
6500K				
Manual Color Mixer	Red	Combine red, green, blue, amber, and lime to make a custom color (0–100%)		
	Green			
	Blue			
	Amber			
	Lime			

Main Level	Programming Levels		Description	
Auto Show	Auto 1		Selects automatic programs and auto program speed	
	Auto 2			
	Auto 3			
	Auto 4			
	Auto 5			
Red Shift	On		Turns on or off Red Shift (amber LEDs imitate lamp when dimming)	
	Off			
Master/ Slave	Master		Master mode	
	Slave		Slave mode	
Dimmer Curve	S Curve		Set the dimmer curve	
	Linear			
	Index Curve			
	Log Curve			
Dimmer Mode	Off		Linear dimmer	
	Dimmer 1		Fast dimmer curve	
	Dimmer 2		Medium dimmer curve	
	Dimmer 3		Slow dimmer curve	
White Balance	Manual	Off	Uses factory default white setting	
		Red	125–255	Sets red LED maximum value
		Green		Sets green LED maximum value
		Blue		Sets blue LED maximum value
		Amber		Sets amber LED maximum value
		Lime		Sets lime LED maximum value
LED Frequency	600Hz		Selects the PWM output frequency	
	1200Hz			
	2000Hz			
	4000Hz			
	6000Hz			
	25KHz			
Back Light	10S		Turns off display backlight after 10 seconds of inactivity	
	30S		Turns off display backlight after 30 seconds of inactivity	
	2Min		Turns off display backlight after 2 minutes of inactivity	
	Always On		Display backlight always on	
Information	Fixture Hours	___ H	Shows total product hours	
	Version	V_._	Shows installed software version	
	UID	-----	Shows product UID	
Factory Reset	No		Reset to factory defaults	
	Yes			

Operation

Configuration (DMX)

Use DMX configurations to operate the product with a DMX controller.

DMX Personalities

This setting allows you to choose a particular DMX personality.

1. Go to the **DMX Channel** main level.
2. Select the desired personality (**HSV, 2Ch, 4Ch, 5Ch, 8Ch, 11Ch, 13Ch, 14Ch, or 16Ch**).



- See the [DMX Control](#) section for the highest starting address you can select for each personality.
- Make sure that the starting addresses on the various products do not overlap due to the new personality setting.

DMX Control

In this mode, each product will respond to a unique starting address from the DMX controller. All products with the same starting address will respond in unison.

1. Select a DMX personality as shown in [DMX Personalities](#).
2. Set the running mode:
 - a. Go to the **Master/Slave** main level
 - b. Select the **Master** programming level
3. Set the starting address:
 - a. Go to **Start Address** main level.
 - b. Select the starting address (**001–512**).

The highest recommended starting address for each DMX personality is as follows:

DMX Personality	Starting Address
16Ch	497
14Ch	499
13Ch	500
11Ch	502
8Ch	505
5Ch	508
4Ch	509
2Ch	511
HSV	510

DMX Values
16Ch

Channel	Function	Value	Percent/Setting
1	Dimmer	000 ⇔ 255	0–100%
2	Dimmer fine	000 ⇔ 255	0–100%
3	Red	000 ⇔ 255	0–100%
4	Red fine	000 ⇔ 255	0–100%
5	Green	000 ⇔ 255	0–100%
6	Green fine	000 ⇔ 255	0–100%
7	Blue	000 ⇔ 255	0–100%
8	Blue fine	000 ⇔ 255	0–100%
9	Amber	000 ⇔ 255	0–100%
10	Amber fine	000 ⇔ 255	0–100%
11	Lime	000 ⇔ 255	0–100%
12	Lime fine	000 ⇔ 255	0–100%
13	Strobe	000 ⇔ 010 011 ⇔ 255	No function Strobe, slow to fast
14	Virtual color wheel	000 ⇔ 255	See Virtual Color Wheel Chart
15	Color temperature	000 ⇔ 005	No function
		006 ⇔ 025	2800K
		026 ⇔ 050	3000K
		051 ⇔ 075	3200K
		076 ⇔ 100	3500K
		101 ⇔ 125	4000K
		126 ⇔ 150	4500K
		151 ⇔ 175	5000K
		176 ⇔ 200	5600K
		201 ⇔ 225	6000K
226 ⇔ 250	6500K		
251 ⇔ 255	No function		
16	Red shift	000 ⇔ 010	No function
		011 ⇔ 127	On
		128 ⇔ 255	Off

14Ch

Channel	Function	Value	Percent/Setting
1	Dimmer	000 ⇔ 255	0–100%
2	Dimmer fine	000 ⇔ 255	0–100%
3	Red	000 ⇔ 255	0–100%
4	Red fine	000 ⇔ 255	0–100%
5	Green	000 ⇔ 255	0–100%
6	Green fine	000 ⇔ 255	0–100%
7	Blue	000 ⇔ 255	0–100%
8	Blue fine	000 ⇔ 255	0–100%
9	Amber	000 ⇔ 255	0–100%
10	Amber fine	000 ⇔ 255	0–100%
11	Lime	000 ⇔ 255	0–100%
12	Lime fine	000 ⇔ 255	0–100%
13	Strobe	000 ⇔ 010	No function
		011 ⇔ 255	Strobe, slow to fast
14	Red shift	000 ⇔ 010	No function
		011 ⇔ 127	On
		128 ⇔ 255	Off

13Ch

Channel	Function	Value	Percent/Setting
1	Dimmer	000 ⇔ 255	0–100%
2	Red	000 ⇔ 255	0–100%
3	Green	000 ⇔ 255	0–100%
4	Blue	000 ⇔ 255	0–100%
5	Amber	000 ⇔ 255	0–100%
6	Lime	000 ⇔ 255	0–100%
7	Strobe	000 ⇔ 010	No function
		011 ⇔ 255	Strobe, slow to fast
8	Virtual color wheel	000 ⇔ 255	See Virtual Color Wheel Chart
9	Color temperature	000 ⇔ 005	No function
		006 ⇔ 025	2800K
		026 ⇔ 050	3000K
		051 ⇔ 075	3200K
		076 ⇔ 100	3500K
		101 ⇔ 125	4000K
		126 ⇔ 150	4500K
		151 ⇔ 175	5000K
		176 ⇔ 200	5600K
		201 ⇔ 225	6000K
226 ⇔ 250	6500K		
251 ⇔ 255	No function		
10	Auto program	000 ⇔ 010	No function
		011 ⇔ 060	Auto 1
		061 ⇔ 110	Auto 2
		111 ⇔ 160	Auto 3
		161 ⇔ 210	Auto 4
211 ⇔ 255	Auto 5 (Auto 1–4)		
11	Auto speed	000 ⇔ 255	Auto speed, slow to fast

Channel	Function	Value	Percent/Setting
12	Dimmer speed mode	000 ⇔ 051	Preset dimmer speed from display menu
		052 ⇔ 101	Dimmer speed mode off (linear dimmer)
		102 ⇔ 152	Dimmer speed mode 1 (fastest)
		153 ⇔ 203	Dimmer speed mode 2
		204 ⇔ 255	Dimmer speed mode 3 (slowest)
13	Red shift	000 ⇔ 010	No function
		011 ⇔ 127	On
		128 ⇔ 255	Off

11Ch

Channel	Function	Value	Percent/Setting
1	Dimmer	000 ⇔ 255	0–100%
2	Dimmer fine	000 ⇔ 255	0–100%
3	Red	000 ⇔ 255	0–100%
4	Green	000 ⇔ 255	0–100%
5	Blue	000 ⇔ 255	0–100%
6	Amber	000 ⇔ 255	0–100%
7	Lime	000 ⇔ 255	0–100%
8	Strobe	000 ⇔ 010	No function
		011 ⇔ 255	Strobe, slow to fast
9	Virtual color wheel	000 ⇔ 255	See Virtual Color Wheel Chart
10	Color temperature	000 ⇔ 005	No function
		006 ⇔ 025	2800K
		026 ⇔ 050	3000K
		051 ⇔ 075	3200K
		076 ⇔ 100	3500K
		101 ⇔ 125	4000K
		126 ⇔ 150	4500K
		151 ⇔ 175	5000K
		176 ⇔ 200	5600K
		201 ⇔ 225	6000K
		226 ⇔ 250	6500K
251 ⇔ 255	No function		
11	Red shift	000 ⇔ 010	No function
		011 ⇔ 127	On
		128 ⇔ 255	Off

8Ch

Channel	Function	Value	Percent/Setting
1	Dimmer	000 ⇔ 255	0–100%
2	Red	000 ⇔ 255	0–100%
3	Green	000 ⇔ 255	0–100%
4	Blue	000 ⇔ 255	0–100%
5	Amber	000 ⇔ 255	0–100%
6	Lime	000 ⇔ 255	0–100%
7	Strobe	000 ⇔ 010	No function
		011 ⇔ 255	Strobe, slow to fast
8	Red shift	000 ⇔ 010	No function
		011 ⇔ 127	On
		128 ⇔ 255	Off

Operation

5Ch

Channel	Function	Value	Percent/Setting
1	Red	000 ⇔ 255	0–100%
2	Green	000 ⇔ 255	0–100%
3	Blue	000 ⇔ 255	0–100%
4	Amber	000 ⇔ 255	0–100%
5	Lime	000 ⇔ 255	0–100%

4Ch

Channel	Function	Value	Percent/Setting
1	Dimmer	000 ⇔ 255	0–100%
2	Virtual color wheel	000 ⇔ 255	See Virtual Color Wheel Chart section
3	Color temperature	000 ⇔ 005	No function
		006 ⇔ 025	2800K
		026 ⇔ 050	3000K
		051 ⇔ 075	3200K
		076 ⇔ 100	3500K
		101 ⇔ 125	4000K
		126 ⇔ 150	4500K
		151 ⇔ 175	5000K
		176 ⇔ 200	5600K
		201 ⇔ 225	6000K
4	Red shift	226 ⇔ 250	6500K
		251 ⇔ 255	No function
		000 ⇔ 010	No function
		011 ⇔ 127	On
		128 ⇔ 255	Off

2Ch

Channel	Function	Value	Percent/Setting
1	Dimmer	000 ⇔ 255	0–100%
4	Red shift	000 ⇔ 010	No function
		011 ⇔ 127	On
		128 ⇔ 255	Off

HSV

Channel	Function	Value	Percent/Setting
1	Hue	000 ⇔ 255	0–100%
2	Saturation	000 ⇔ 255	0–100%
3	Value	000 ⇔ 255	0–100%

Virtual Color Wheel

The Ovation CYC 1 FC includes a feature called the Virtual Color Wheel (VCW). This feature is available as a standalone control mode for manual use and as a control channel in select DMX personalities. More than 30 premixed colors, custom blended by Chauvet engineers, are available to call up for easier programming. The DMX values used to mix these colors are provided below. The overall intensity of the Ovation fixture can be adjusted to more closely replicate familiar colors. A chart is available on Chauvet website www.chauvetprofessional.com to compare Chauvet's pre-mixed colors with popular gel colors.

This chart is for comparison purposes only and is not a representation that Chauvetpre-mixed colors match any of the gel colors listed.

Virtual Color Wheel Chart

DMX Value	Display Readout	Red Value	Green Value	Blue Value	Amber Value	Lime Value
000 ⇄ 005	--	000	000	000	000	000
006 ⇄ 013	C3050 - Md Yellow	246	195	028	176	212
014 ⇄ 021	C3040 - Lt Yellow	251	175	043	203	203
022 ⇄ 028	C3240 - Amb Yellow	227	185	002	235	191
029 ⇄ 035	C2340 - V Lt Amber	255	143	064	085	175
036 ⇄ 043	C2040 - Lt Amber	255	169	063	219	070
044 ⇄ 051	C2050 - Md Amber	255	162	006	244	136
052 ⇄ 059	C2060 - Dk Amber	250	126	031	243	119
060 ⇄ 067	C1050 - Lt Red	255	080	038	050	029
068 ⇄ 075	C1080 - Md Red	215	005	033	002	002
076 ⇄ 083	C1020 - NC Pink	255	129	105	250	222
084 ⇄ 091	C1030 - Md Pink	255	064	104	217	238
092 ⇄ 099	C1630 - Dk Pink	255	068	106	245	252
100 ⇄ 107	C1250 - Md Red Amber	255	049	046	164	108
108 ⇄ 115	C1060 - Dk Red Amber	255	015	058	167	000
116 ⇄ 121	C1650 - Magenta	255	020	105	255	132
122 ⇄ 130	C6170 - Dk Magenta	255	000	106	009	101
131 ⇄ 138	C6020 - Lt Lavender	255	202	117	017	227
139 ⇄ 146	C5030 - Lt Blue	177	255	169	219	230
147 ⇄ 154	C5020 - V Lt Blue	190	225	152	238	235
155 ⇄ 162	C5430 - Lt Blue 2	101	255	153	218	137
163 ⇄ 170	C5070 - Blue	048	175	155	000	124
171 ⇄ 178	C5050 - Md Blue	127	187	138	081	136
179 ⇄ 186	C5060 - Dk Blue	082	217	218	154	219
187 ⇄ 194	C5690 - Indigo	100	000	160	000	000
195 ⇄ 202	C5080 - V Dk Blue	055	150	150	000	020
203 ⇄ 210	C5081 - V Dk Blue 2	015	100	092	035	030
211 ⇄ 218	C4370 - Yel Green	020	123	025	049	051
219 ⇄ 226	C4070 - Green	047	094	032	043	039
227 ⇄ 234	C4550 - Turquoise	091	180	084	123	175
235 ⇄ 242	C4560 - Aqua	063	147	075	094	133
243 ⇄ 250	C4570 - Blue Green	043	170	073	043	087
251 ⇄ 255	--	000	000	000	000	000



The colors above are simulated renditions of the color output produced compared with other similar incandescent products. Chauvet makes no guarantee of the color output accuracy.

Operation

Color Temperature Chart

DMX Value	Display Readout	Red Value	Green Value	Blue Value	Amber Value	Lime Value
000 ⇔ 005	--	000	000	000	000	000
006 ⇔ 025	2800K	185	160	90	248	180
026 ⇔ 050	3200K	190	180	102	148	180
051 ⇔ 075	3500K	200	194	111	249	180
076 ⇔ 100	4000K	195	204	122	249	180
101 ⇔ 125	4500K	195	212	132	249	187
126 ⇔ 150	5000K	195	219	140	249	187
151 ⇔ 175	5600K	200	229	148	251	181
176 ⇔ 200	6000K	181	230	152	252	182
201 ⇔ 225	6500K	180	233	157	252	182
226 ⇔ 255	--	000	000	000	000	000



The color temperatures above are simulated renditions of the color output produced compared with a tungsten lamp at the specified color temperature. Chauvet makes no guarantee of the color output accuracy.

Configuration (Standalone)

Use standalone configuration to operate the product without a DMX controller.

Auto Programs

Auto programs allow for dynamic RGBAL color mixing without a DMX controller.

1. Go to the **Auto Show** main level.
2. Select the desired auto (**Auto 1–5**).
3. Select the desired speed (**Speed 001–100**).



The auto programs cannot be edited.

Red Shift

The Red Shift function allows the light in the fixture to mimic halogen lamp dimming. To enable or disable the Red Shift function:

1. Go to the **Red Shift** main level.
2. Select from **On** (enables Red Shift) or **Off** (disables Red Shift).

Master/Slave

The Master/Slave mode allows a group of Ovation CYC 1 FC products (the slaves) to simultaneously duplicate the output of another Ovation CYC 1 FC (the master) without a DMX controller.

To set each of the slaves:

1. Go to the **Master/Slave** main level.
2. Select **Slave**.

To set the master:

1. Go to the **Master/Slave** main level.
2. Select **Master**.
3. Select an auto program (see [Auto Programs](#) or [Virtual Color Wheel Chart](#)).



- The master is the one that runs a program whether in Auto Program or VCW modes.
- Do not connect a DMX controller to the products configured for Master/Slave operation. The DMX controller may interfere with signals from the master.
- The master should be the first product in the daisy chain.

White Balance

This setting allows for selection of the white balance shown by the Ovation CYC 1 FC when the color setting is **RGBAL** and the DMX controller's red, green, blue, amber, and lime faders are set to **255**.

1. Go to the **White Balance** main level.
2. Select **Manual** to continue to adjust the white balance or **Off** to default to the original factory setting.
3. Select a color (**Red, Green, Blue, Amber** or **Lime**).
4. Select a color value (**125–255**).
5. Repeat for the other colors.



The values of **Red, Green, Blue, Amber** and **Lime** configured will define the color temperature shown when the **RGBAL** faders are set to **255**.

Virtual Color Wheel

The Virtual Color Wheel mode allows for preset popular colors RGBAL color mixing without a DMX controller.

1. Go to the **Virtual Color Wheel** main level.
2. Select **Virtual Color Wheel**.
3. Select the desired color from the [Virtual Color Wheel Chart](#).
4. Press **<ENTER>** twice.
5. Select the **Dimmer** value (**000–255**).
6. Press **<ENTER>**.

Color Temperature

The color temperature mode allows for permanent white color temperature presets without a DMX controller.

1. Go to the **Virtual Color Wheel** main level.
2. Select **Color Temperature**.
3. Select the **Dimmer** value (**000–255**).
4. Select the desired color temperature.

Manual Color Mixer

The Manual Color Mixer mode allows for permanent RGBAL color mixing without a DMX controller.

1. Go to the **Virtual Color Wheel** main level.
2. Select **Manual Color Mixer**.
3. Select the desired color (**Red, Green, Blue, Amber**, or **Lime**).
4. Select the color value (**000–255**).
5. Repeat for the other colors.

Dimmer Curve

To set the dimmer curve on the Ovation CYC 1 FC:

1. Go to the **Dimmer Curve** main level.
2. Select the dimmer curve (**S Curve, Linear, Index Curve**, or **Log Curve**).

Dimmer Profiles

This setting determines how fast the output of the Ovation CYC 1 FC changes when you modify the values of the red, green, blue, amber, lime, and dimmer faders. This setting provides four different options to simulate the dimming curve of an incandescent lighting product.

- Go to the **Dimmer Mode** main level.
- Select a dimmer curve (**OFF, Dimmer 1, Dimmer 2**, or **Dimmer 3**).



OFF: The output is proportional (linear) to the dimmer and RGBAL channel values.

Dimmer 1-3: The output follows the dimmer and RGBAL channel values based on the corresponding dimmer curve, DIM1 being the fastest.

White Balance

This function allows users to manually configure the white balance settings

1. Go to the **White Balance** main level.
2. Select **Off** (factory-default white setting) or **Manual** (manually adjust RGBAL settings).
3. For **Manual** settings, select the desired color (**Red, Green, Blue, Amber**, or **Lime**).
4. Select the color value (**125–255**).
5. Repeat for the other colors.

Operation

LED Frequency

This option changes the Pulse Width Modulation (PWM) frequency of the LEDs on the Ovation CYC 1 FC.

1. Go to the **LED Frequency** main level.
2. Select PWM Frequency (**600Hz**, **1200Hz**, **2000Hz**, **4000Hz**, **6000Hz**, or **25Khz**).

Back Light

This setting allows for the selection of the amount of time the backlight on the Ovation CYC 1 FC's display stays on after the last button is pressed on the control panel.

1. Go to the **Back Light** main level.
2. Select **10S** (10 seconds), **30S** (seconds), **2Min** (2 minutes), or **On** (remains on).

System Information

The information section of the menu displays statistics and the current status of the product's various functions. To view these information sections:

1. Go to the **Information** main level.
2. Select which information to view, from **Fixture Hours** (displays the total number of hours the product has been turned on), **Version** (displays the installed software version), or **UID** (displays the product's UID number).

Factory Reset

This option restores the Ovation CYC 1 FC to the original factory settings.

1. Go to the **Factory Setting** main level.
2. Select **Yes** (resets the product configuration to default factory settings) or **No** (cancel).

5. Technical Information

Product Maintenance

To maintain optimum performance and minimize wear, clean this product frequently. Usage and environment are contributing factors in determining the cleaning frequency.

Clean this product at least twice a month. Dust build-up reduces light output performance and can cause overheating. This can lead to reduced light source life and increased mechanical wear.

To clean the product:

1. Unplug the product from power.
2. Wait until the product is at room temperature.
3. Use a vacuum (or dry compressed air) and a soft brush to remove dust collected on the external vents.
4. Clean all transparent surfaces with a mild soap solution, ammonia-free glass cleaner, or isopropyl alcohol.
5. Apply the solution directly to a soft, lint-free cotton cloth or a lens-cleaning tissue.
6. Softly drag any dirt or grime to the outside of the transparent surface.
7. Gently polish the transparent surfaces until they are free of haze and lint.



Always dry the transparent surfaces carefully after cleaning them.

Technical Specifications

6. Technical Specifications

Dimensions and Weight

Length	Width	Height	Weight
16.14in (410 mm)	6.29 in (160 mm)	4.33 in (110 mm)	9 lb (4.2 kg)

Note: Dimensions in inches are rounded.

Power

Power Supply Type	Range	Voltage Selection
Switching (internal)	100 to 240 VAC, 50/60 Hz	Auto-ranging

Parameter	120 V, 60 Hz	208 V, 60 Hz	230 V, 50 Hz
Consumption	138 W	135 W	137 W
Operating current	1.13 A	0.65 A	0.58 A
Power-linking current (products)	13.6 A (12 products)	13.6 A (21 products)	13.6 A (23 products)
Fuse	T 2 A, 250 V	T 2 A, 250 V	T 2 A, 250 V

Power I/O	U.S./Worldwide	UK/Europe
Power input connector	Neutrik® powerCON® A	Neutrik® powerCON® A
Power output connector	Neutrik® powerCON® B	Neutrik® powerCON® B
Power cord plug	Edison (U.S.)	Local plug

Light Source

Type	Color	Quantity	Power	Current	Lifespan
LED	Red	12	1.75 to 4.57 W	1.4 A	50,000 hours
LED	Green	12	1.75 to 4.57 W	1.4 A	50,000 hours
LED	Blue	12	1.75 to 4.57 W	1.4 A	50,000 hours
LED	Amber	12	1.75 to 4.57 W	1.4 A	50,000 hours
LED	Lime	12	1.75 to 4.57 W	1.4 A	50,000 hours

Photometrics

Color Temperature	Beam Angle	Field Angle	Illuminance @ 5 m
2800K to 6500K	85° x 81°	128° x 142°	200 lux

Thermal

Maximum External Temperature	Cooling System
113 °F (45 °C)	Convection

DMX

I/O Connector	Channel Range
5-pin XLR	2, 4, 5, 8, 11, 13, 14, 16, or HSV

Ordering

Product Name	Item Code	UPC Number
Ovation CYC 1 FC	03031583	781462219314



Returns

Send the product prepaid, in the original box, and with the original packing and accessories. Chauvet will not issue call tags.

Call Chauvet and request a Return Merchandise Authorization (RMA) number before shipping the product. Be prepared to provide the model number, serial number, and a brief description of the cause(s) for the return.

To submit a service request online, go to www.chauvetprofessional.com/service-request.

Clearly label the package with an RMA number. Chauvet will refuse any product returned without an RMA number.



Write the RMA number on a properly affixed label. DO NOT write the RMA number directly on the box.

Once you have the RMA number, provide the following information on a piece of paper and place it inside the box:

- Your name
- Your address
- Your phone number
- RMA number
- A brief description of the problem

Be sure to pack the product properly. Any shipping damage resulting from inadequate packaging will be your responsibility. FedEx packing or double-boxing are recommended.



Chauvet reserves the right to use its own discretion to repair or replace returned product(s).

Contact Us

General Information	Technical Support
Chauvet World Headquarters	
Address: 5200 NW 108th Ave. Sunrise, FL 33351 Voice: (954) 577-4455 Fax: (954) 929-5560 Toll Free: (800) 762-1084	Voice: (844) 393-7575 Fax: (954) 756-8015 Email: chauvetcs@chauvetlighting.com Website: www.chauvetprofessional.com
Chauvet Europe Ltd	
Address: Unit 1C Brookhill Road Industrial Estate Pinxton, Nottingham, UK NG16 6NT Voice: +44 (0) 1773 511115 Fax: +44 (0) 1773 511110	Email: UKtech@chauvetlighting.eu Website: www.chauvetprofessional.eu
Chauvet Europe BVBA	
Address: Stokstraat 18 9770 Kruishoutem Belgium Voice: +32 9 388 93 97	Email: BNLtech@chauvetlighting.eu Website: www.chauvetprofessional.eu
Chauvet France	
Address: 3, Rue Ampère 91380 Chilly-Mazarin France Voice: +33 1 78 85 33 59	Email: FRtech@chauvetlighting.fr Website: www.chauvetprofessional.eu
Chauvet Germany	
Address: Bruno-Bürgel-Str. 11 28759 Bremen Germany Voice: +49 421 62 60 20	Email: DEtech@chauvetlighting.de Website: www.chauvetprofessional.eu
Chauvet Mexico	
Address: Av. de las Partidas 34 - 3B (Entrance by Calle 2) Zona Industrial Lerma Lerma, Edo. de México, CP 52000 Voice: +52 (728) 690-2010	Email: servicio@chauvet.com.mx Website: www.chauvetprofessional.mx

Visit the applicable website above to verify our contact information and instructions to request support. Outside the U.S., U.K., Ireland, Benelux, France, Germany, or Mexico, contact the dealer of record.