

# OVATION

## P-56UV

### User Manual



Model ID: OVATIONP56UV

## Edition Notes

The Ovation P-56UV User Manual includes a description, safety precautions, installation, programming, operation, and maintenance instructions for the Ovation P-56UV as of the release date of this edition.

## Trademarks

Chauvet, Chauvet Professional, the Chauvet logo, and Ovation are registered trademarks or trademarks of Chauvet & Sons, LLC (d/b/a Chauvet and Chauvet Lighting) in the United States and other countries. Other company and product names and logos referred to herein may be trademarks of their respective companies.

## Copyright Notice

The works of authorship contained in this manual, including, but not limited to, all designs, text, and images are owned by Chauvet.

© Copyright 2024 Chauvet & Sons, LLC. All rights reserved.

Electronically published by Chauvet in the United States of America.

## Manual Use

Chauvet authorizes its customers to download and print this manual for professional information purposes only. Chauvet expressly prohibits the usage, copy, storage, distribution, modification, or printing of this manual or its content for any other purpose without written consent from Chauvet.

## Document Printing

For best results, print this document in color, on letter size paper (8.5 x 11 in), double-sided. If using A4 paper (210 x 297 mm), configure the printer to scale the content accordingly.

## Intended Audience

Any person installing, operating, and/or maintaining this product should completely read through the guide that shipped with the product, as well as this manual, before installing, operating, or maintaining this product.

## Disclaimer

Chauvet believes that the information contained in this manual is accurate in all respects. However, Chauvet assumes no responsibility and specifically disclaims any and all liability to any party for any loss, damage, or disruption caused by any errors or omissions in this document, whether such errors or omissions result from negligence, accident, or any other cause. Chauvet reserves the right to revise the content of this document without any obligation to notify any person or company of such revision, however, Chauvet has no obligation to make, and does not commit to make, any such revisions.

## Document Revision

Go to [www.chauvetprofessional.com](http://www.chauvetprofessional.com) for the latest version.

| Revision | Date    | Description   |
|----------|---------|---|
| 6        | 10/2024 | Updated format; corrected the What's Included section |

TABLE OF CONTENTS

- 1. Before You Begin** ..... 1
  - What Is Included ..... 1
  - Claims ..... 1
  - Manual Conventions ..... 1
  - Symbols ..... 1
  - Safety Notes..... 2
  - FCC Statement of Compliance ..... 3
  - Expected LED Lifespan..... 3
- 2. Introduction** ..... 4
  - Description ..... 4
  - Features ..... 4
  - Product Overview ..... 5
  - Product Dimensions ..... 6
- 3. Setup** ..... 7
  - AC Power ..... 7
    - AC Plug ..... 7
    - Power Linking..... 7
    - Fuse Replacement..... 7
  - Signal Connections ..... 7
    - DMX Linking..... 7
  - Master/Slave Connectivity..... 9
  - Mounting ..... 9
    - Orientation..... 9
    - Rigging ..... 9
    - Procedure..... 10
- 4. Operation** ..... 11
  - Control Panel Operation..... 11
  - Control Options ..... 11
  - Programming..... 11
  - DMX Configuration..... 11
    - Control Personalities ..... 11
    - Starting Address..... 11
  - Menu Map ..... 12
  - DMX Values ..... 13
  - Standalone Configuration..... 14
    - Static Mode ..... 14
    - Auto Programs ..... 14
    - Master/Slave ..... 14
    - Dimmer Curve ..... 14
    - Dimmer Profiles..... 14
    - LED Frequency ..... 14
    - Fan Mode ..... 15
    - Back Light ..... 15
    - System Information ..... 15
    - Factory Reset..... 15
- 5. Maintenance**..... 16
  - Product Maintenance ..... 16
- 6. Technical Specifications** ..... 17
- Contact Us** ..... 18
  - Warranty & Returns..... 18

# 1. Before You Begin

## What Is Included

- Ovation P-56UV
- Gel frame (7.5 in/191 mm accessories)
- Neutrik® powerCON® power cord
- Wide lens
- Quick Reference Guide

## Claims

Carefully unpack the product immediately and check the container to make sure all the parts are in the package and are in good condition.





If the box or the contents (the product and included accessories) appear damaged from shipping, or show signs of mishandling, notify the carrier immediately, not Chauvet. Failure to report damage to the carrier immediately may invalidate the claim. In addition, keep the box and contents for inspection.

For other issues, such as missing components or parts, damage not related to shipping, or concealed damage, file a claim with Chauvet within 7 days of delivery.

## Manual Conventions

| Convention | Meaning   |
|------------|---|
| 1–512      | A range of values                               |
| 50/60      | A set of values of which only one can be chosen |
| <SET>      | A button on the product's control panel         |
| Settings   | A product function or a menu option             |

## Symbols

| Symbol  | Meaning   |
|---|---|
|   | Electrical warning. Not following these instructions may cause electrical damage to the product, accessories, or the user.  |
|  | Critical installation, configuration, or operation information. Not following these instructions may make the product not work, cause damage to the product, or cause harm to the operator. |
|  | Important installation or configuration information. The product may not function correctly if this information is not used.  |
|  | Useful information.   |

The term “DMX” used throughout this manual refers to the USITT DMX512-A digital data transmission protocol.

Connection of the control signal: DMX line

- The product has XLR sockets for DMX input and output.
- **Notice:** This control circuit is isolated and belongs to the Class 2 data port.

The control circuit has a cumulative leakage current of less than 3.5 mA.

### Safety Notes

Read all the following safety notes before working with this product. These notes contain important information about the installation, usage, and maintenance of this product.



**This product contains no user-serviceable parts. Any reference to servicing in this User Manual will only apply to properly trained, certified technicians. Do not open the housing or attempt any repairs.**



**All applicable local codes and regulations apply to proper installation of this product.**

- The luminaire is intended for professional use only.
- The luminaire should be positioned so that prolonged staring into the luminaire at a distance closer than 10 ft (3.0 m) is not expected.
- If the external flexible cable or cord of this luminaire is damaged, it shall be replaced by a special cord or cord exclusively available from the manufacturer or its service agent.
- The light source contained in this luminaire shall only be replaced by the manufacturer or its service agent or a similar qualified person.
- **CAUTION:**
  - This product's housing may be hot when operating. Mount this product in a location with adequate ventilation, at least 20 in (50 cm) from adjacent surfaces.
  - When transferring the product from extreme temperature environments, (e.g., cold truck to warm humid ballroom) condensation may form on the internal electronics of the product. To avoid causing a failure, allow the product to fully acclimate to the surrounding environment before connecting it to power.
  - Flashing light is known to trigger epileptic seizures. User must comply with local laws regarding notification of strobe use.
- **ALWAYS:**
  - Use a safety cable when mounting this product overhead.
  - Connect this product to a grounded and protected circuit.
- **DO NOT:**
  - Open this product. It contains no user-serviceable parts.
  - Look at the light source when the product is on.
  - Leave any flammable material within 50 cm of this product while operating or connected to power.
  - Connect this product to a dimmer or rheostat.
  - Operate this product if the housing, lenses, or cables appear damaged.
  - **ONLY** use the hanging/mounting bracket to carry this product.
  - The maximum ambient temperature is 113 °F (45 °C). Do not operate this product at higher temperatures.
  - The minimum startup temperature is -4°F (-20°C). Do not start the product at lower temperatures.
  - The minimum ambient temperature is -22°F (-30°C). Do not operate the product at lower temperatures.
  - To eliminate unnecessary wear and improve its lifespan, during periods of non-use completely disconnect the product from power via breaker or by unplugging it.
  - In the event of a serious operating problem, stop using immediately.



**If a Chauvet product requires service, contact Chauvet Technical Support.**

## **FCC Statement of Compliance**

This device complies with Part 15 Part B of the FCC rules. Operation is subject to the following two conditions:

1. This device may not cause harmful interference, and
2. This device must accept any interference received, including interference that may cause undesired operation.

This equipment has been tested and found to comply with the limits for a Class B digital device, pursuant to Part 15 of the FCC Rules. These limits are designed to provide reasonable protection against harmful interference in a residential installation. This equipment generates uses and can radiate radio frequency energy and, if not installed and used in accordance with the instructions, may cause harmful interference to radio communications. However, there is no guarantee that interference will not occur in a particular installation. If this equipment does cause harmful interference to radio or television reception, which can be determined by turning the equipment off and on, the user is encouraged to try to correct the interference by one or more of the following measures:

- Reorient or relocate the receiving antenna.
- Increase the separation between the equipment and receiver.
- Connect the equipment into an outlet on a circuit different from that to which the receiver is connected.
- Consult the dealer or an experienced radio/TV technician for help.

Any changes or modifications not expressly approved by the party responsible for compliance could void the user's authority to operate the equipment.

## **Expected LED Lifespan**

Over time, use and heat will gradually reduce LED brightness. Clustered LEDs produce more heat than single LEDs, contributing to shorter lifespans if always used at full intensity. The average LED lifespan is 40,000 to 50,000 hours. To extend LED lifespan, maintain proper ventilation around the product, and limit the overall intensity.

## **2. Introduction**

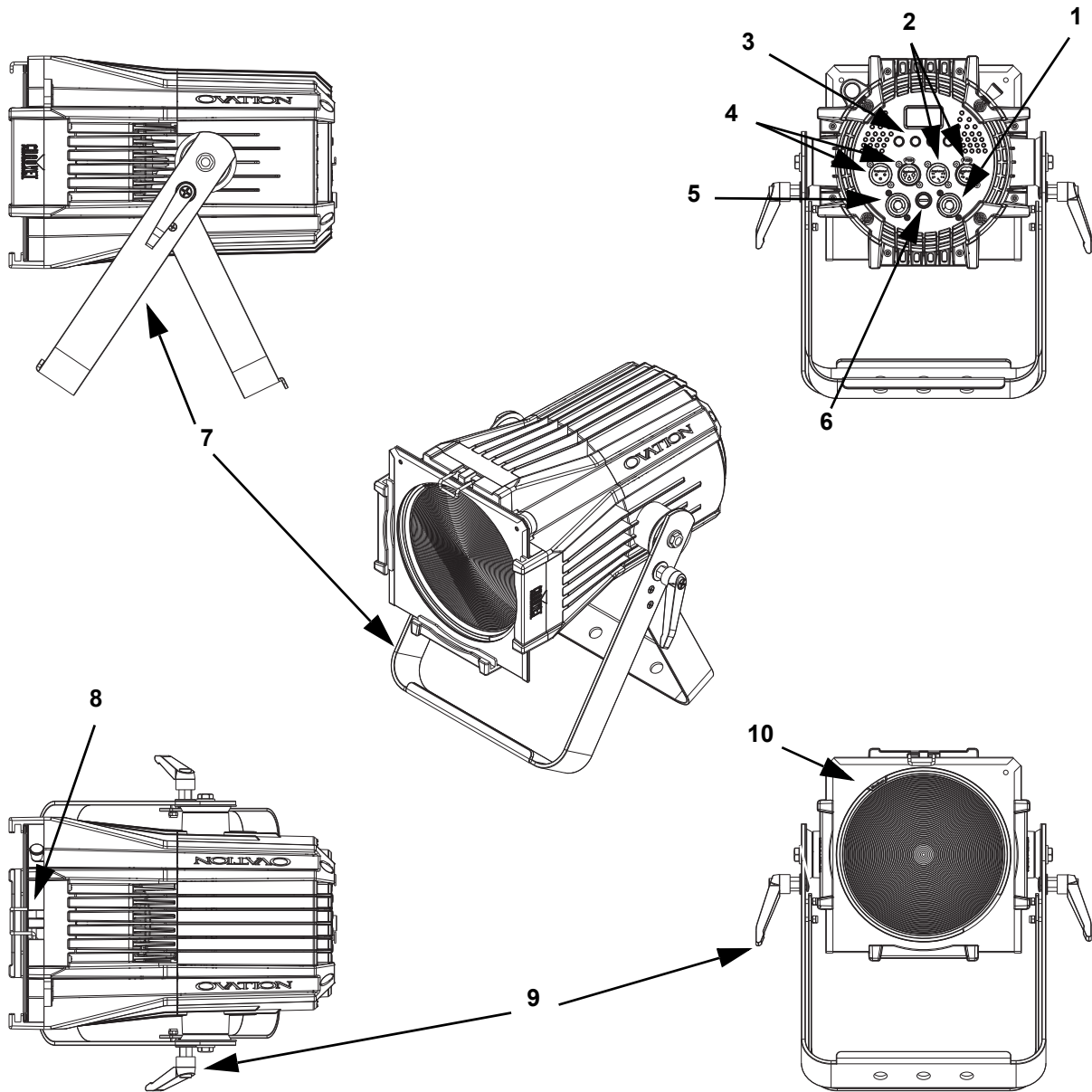
### **Description**

Ovation P-56UV is a compact, virtually silent par and the first of its kind to produce a flat and even field of true UV light with minimal projected visibility via a homogenized, single-source LED. Interchangeable lens plates are included for wide beam angles and the unit accepts standard 7.5" beam shaping accessories. Ideally suited for theatrical and studio applications, the virtually silent and bright par also features extremely smooth 16-bit dimming, as well as RDM and PWM for set-up ease.

### **Features**

- Operating modes:
  - 1 Ch: dimmer
  - 2 Ch: 16-bit dimmer
  - 3 Ch: 16-bit dimmer, strobe
  - 6 Ch: 16-bit dimmer, strobe, auto programs, auto speed, and control
- True (365 nM) UV light with homogenized single source
- Minimal projected visible light
- Quiet operation for use in any situation with fan speed control
- RDM and variable Pulse Width Modulation for setup ease
- Accepts standard 7.5" beam shaping accessories
- Selectable dimming curves for smooth fades or snap-on use
- 16-bit dimming resolution for smooth fades
- Compact design with homogeneous single source of blacklight

**Product Overview**

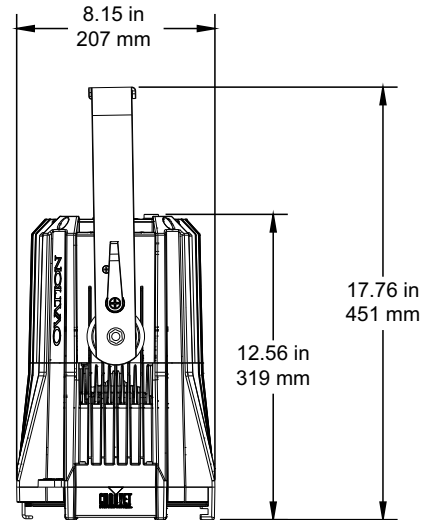
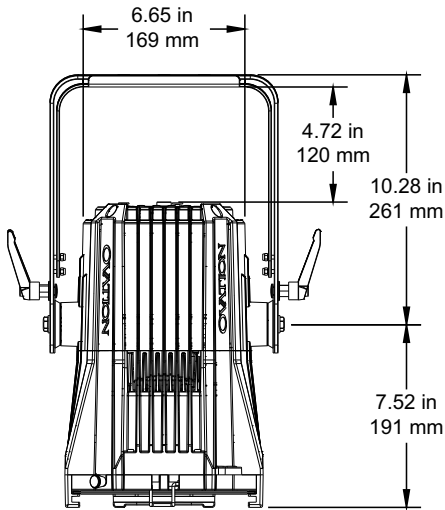
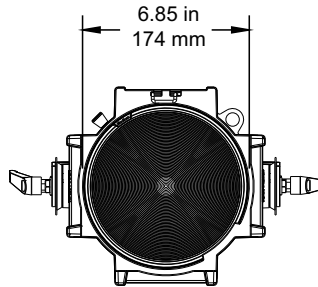
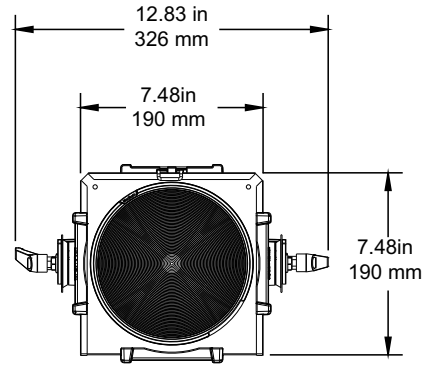
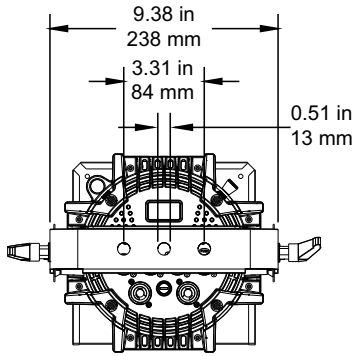


| # | Name             | #  | Name                   |
|---|------------------|----|------------------------|
| 1 | Power out        | 6  | Fuse holder            |
| 2 | 5-pin DMX in/out | 7  | Bracket                |
| 3 | Menu buttons     | 8  | Gel frame holder clip  |
| 4 | 3-pin DMX in/out | 9  | Tilt adjustment handle |
| 5 | Power in         | 10 | Gel frame              |



# Introduction

## Product Dimensions



### 3. Setup

#### AC Power

Each Ovation P-56UV has an auto-ranging power supply that works with an input voltage range of 100 to 240 VAC, 50/60 Hz. To determine the power requirements for each Ovation P-56UV, refer to the label affixed to the product or refer to the Technical Specifications chart in this manual. The listed current rating indicates the maximum current draw during normal operation. For more information, download Sizing Circuit Breakers from the Chauvet website: [www.chauvetprofessional.com](http://www.chauvetprofessional.com).



- **Always connect the product to a protected circuit (a circuit breaker or fuse). Make sure the product has an appropriate electrical ground to avoid the risk of electrocution or fire.**
- **To eliminate unnecessary wear and improve its lifespan, during periods of non-use completely disconnect the product from power via breaker or by unplugging it.**



**Never connect the product to a rheostat (variable resistor) or dimmer circuit, even if the rheostat or dimmer channel serves only as a 0 to 100% switch.**

#### AC Plug

The Ovation P-56UV comes with a power input cord terminated with a Neutrik powerCON A connector on one end and an Edison plug on the other end (U.S. market). If the power input cord that came with the product has no plug or the plug needs to be changed, use the table below to wire the new plug.

| Connection | Wire (U.S.)  | Wire (Europe) | Screw Color     |
|------------|--------------|---------------|-----------------|
| AC Live    | Black        | Brown         | Yellow or Brass |
| AC Neutral | White        | Blue          | Silver          |
| AC Ground  | Green/Yellow | Green/Yellow  | Green           |

#### Power Linking

It is possible to power link Ovation P-56UV products. See the table below for the current draw at each voltage and frequency:

|              | 120 V, 60 Hz | 208 V, 60 Hz | 230 V, 50 Hz |
|--------------|--------------|--------------|--------------|
| Current Draw | 1.03 A       | 0.62 A       | 0.58 A       |

Never exceed 12 A on a single circuit. Power-linking cables can be purchased separately.

#### Fuse Replacement

1. Disconnect this product from the power outlet.
2. Using a flat-head screwdriver, unscrew the fuse holder cap from the housing.
3. Remove the blown fuse and replace with another fuse of the same type and rating (T 3.15 A, 250 V).
4. Screw the fuse holder cap back in place and reconnect power.

#### Signal Connections

The Ovation P-56UV can receive a DMX, Art-Net™, sACN, or a wireless Lumenradio CRMX™ signal. The product has 2 Seetronic Etherkon-compatible through ports and 5-pin DMX in and out ports. If using other compatible products with this product, it is possible to control each individually with a single controller.

#### DMX Linking

It is possible to link the Ovation P-56UV to a DMX controller using a 3- or 5-pin DMX connection. If using other DMX-compatible products with this product, each can be controlled individually with a single DMX controller.

#### DMX Personalities

The Ovation P-56UV uses a 3- or 5-pin DMX data connection for the **1 Ch**, **2 Ch**, **3 Ch**, and **6 Ch** DMX personalities.

- Refer to the [Introduction](#) for a brief description of each DMX personality.
- Refer to the [Operation](#) chapter to learn how to configure the Ovation P-56UV to work in these personalities.
- The [DMX Values](#) section provides detailed information regarding the DMX personalities.

## Setup

---

### **Remote Device Management**

Remote Device Management, or RDM, is a standard for allowing DMX-enabled devices to communicate bi-directionally along existing DMX cabling. Check the DMX controller's User Manual or with the manufacturer as not all DMX controllers have this capability. The Ovation P-56UV supports RDM protocol that allows feedback to make changes to menu map options.

## Master/Slave Connectivity

The Master/Slave mode allows a Ovation P-56UV (the master) to control one or more Ovation P-56UV products (the slaves) without a DMX controller. One Ovation P-56UV becomes the master when running an auto or custom program, or by being in a Static mode.

Each slave's control panel must be configured to operate in Slave mode. During Master/Slave operation, the slaves will operate in unison with the master.



**DO NOT connect a DMX controller to products operating in Master/Slave mode. The DMX controller signals may interfere with the signals from the master.**



- The [Operation](#) section of this manual provides detailed instructions on how to configure the master and slaves.
- For more information about DMX standards or the DMX cables needed to link this product to a DMX controller, download the DMX primer from the Chauvet website: [www.chauvetprofessional.com](http://www.chauvetprofessional.com).

## Mounting

Before mounting the product, read and follow the safety recommendations indicated in the Safety Notes. For the Chauvet Professional line of mounting clamps, go to <http://trusst.com/products/>.

### Orientation

Always mount this product in a safe position, making sure there is adequate room for ventilation, configuration, and maintenance.

### Rigging

Chauvet recommends using the following general guidelines when mounting this product.

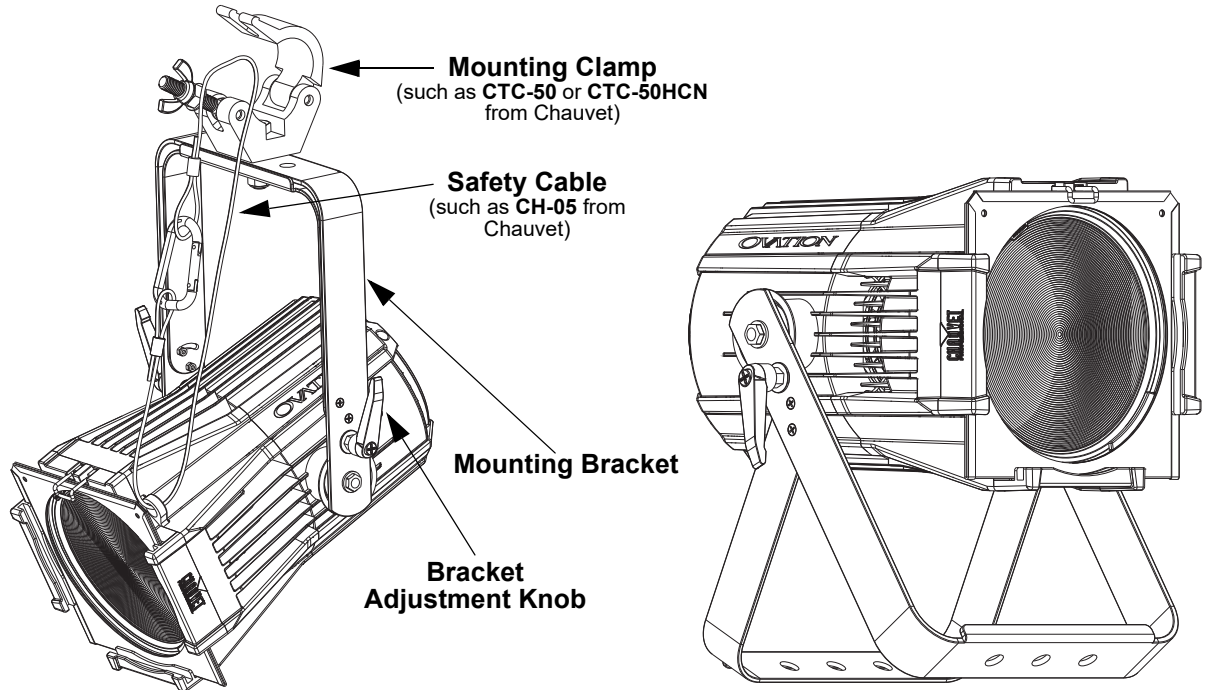
- Before deciding on a location for the product, make sure there is easy access to the product for maintenance and programming purposes.
- Make sure that the structure and attachment points can support the weight before hanging the product (see the [Technical Specifications](#) for weight information).
- When mounting the product overhead, always use a safety cable. Mount the product securely to a rigging point, whether an elevated platform or a truss.
- When rigging the product onto a truss, use a mounting clamp of appropriate weight capacity.
- When power linking multiple products, mount the products close enough for power linking cables to reach.
- The bracket adjustment knobs allow for directional adjustment when aiming the product to the desired angle. Only loosen or tighten the bracket knobs manually. Using tools could damage the knobs.

## Setup

### Procedure

The Ovation P-56UV comes with a double-bracketed yoke to which mounting clamps (sold separately) can be attached for hanging or simply used as a floor stand. Make sure the clamps are capable of supporting the weight of this product. Use at least one mounting point per product. For the Chauvet Professional line of mounting clamps, go to <http://www.trusst.com/products>.

### Mounting Diagram



## 4. Operation

### Control Panel Operation

| Button  | Function   |
|---------|--|
| <MENU>  | Exits from the current menu or function  |
| <ENTER> | Enables the currently displayed menu or sets the currently selected value in to the current function |
| <UP>    | Navigates upward through the menu list or increases the numeric value when in a function             |
| <DOWN>  | Navigates downward through the menu list or decreases the numeric value when in a function           |

### Control Options

Set the Ovation P-56UV starting address in the 001–512 DMX range. This enables control of up to 23 products in the 6-channel **6 Ch** personality.

### Programming

Refer to the Menu Map to understand the menu options. The menu map shows the main level and a variable number of programming levels for each option.

- To go to the desired main level, press <MENU> repeatedly until the option shows on the display. Press <ENTER> to select. The first programming level for that option will appear.
- To select an option or value within the current programming level, press <UP> or <DOWN> until the option shows on the display. Press <ENTER> to select. This will display the selected value or the first option if there is another programming level.
- Press <MENU> repeatedly to exit to the previous main level.

### DMX Configuration

Use control configurations to operate the product with a DMX controller.

#### Control Personalities

This setting allows the user to choose a particular control personality.

1. Go to the **DMX Channel** main level.
2. Select the desired personality (**1 Ch**, **2 Ch**, **3 Ch**, or **6 Ch**).



- See the [Starting Address](#) section for the highest starting address available for each personality.
- Make sure that the starting addresses on the various products do not overlap due to the new personality setting.

#### Starting Address

Each product will respond to a unique starting address from the DMX controller. All products with the same starting address will respond in unison.

1. Go to the **DMX Address** main level.
2. Select the starting address (**001–512**).

The highest recommended starting address for each DMX mode is as follows:

| Personality | Address    |
|-------------|------------|
| <b>1 Ch</b> | <b>512</b> |
| <b>2 Ch</b> | <b>511</b> |
| <b>3 Ch</b> | <b>510</b> |
| <b>6 Ch</b> | <b>507</b> |

## Menu Map

| Main Level           | Programming Levels   |                | Description  |
|----------------------|--|----------------|--|
| <b>DMX Address</b>   | <b>001–512*</b>  |                | Selects DMX address (highest channel restricted to personality chosen) |
| <b>DMX Channel</b>   | <b>1 Ch</b>  |                | 1-channel: dimmer  |
|                      | <b>2 Ch</b>  |                | 2-channel: 16-bit dimmer   |
|                      | <b>3 Ch</b>  |                | 3-channel: 16-bit dimmer, strobe                                       |
|                      | <b>6 Ch</b>  |                | 6-channel: 16-bit dimmer, strobe, auto programs, auto speed, control   |
| <b>Static</b>        | <b>Dimmer</b>  | <b>000–255</b> | Controls intensity   |
|                      | <b>Strobe</b>  |                | Controls strobe rate   |
| <b>Auto Show</b>     | <b>Auto 1</b>  | <b>001–100</b> | Selects automatic programs and auto program speed                      |
|                      | <b>Auto 2</b>  |                |  |
|                      | <b>Auto 3</b>  |                |  |
| <b>Master/Slave</b>  | <b>Master</b>  |                | DMX mode (Master)  |
|                      | <b>Slave</b>   |                | Slave mode   |
| <b>Dimmer Curve</b>  | <b>S-Curve</b><br><b>Linear</b><br><b>Square</b><br><b>Inverse Square</b>                        |                | Sets the dimmer curve  |
| <b>Dimmer Mode</b>   | <b>Off</b>   |                | Linear dimmer  |
|                      | <b>Dimmer 1–3</b>  |                | Dimming curves <b>Dimmer 1</b> (fast) to <b>Dimmer 3</b> (slow)        |
| <b>LED Frequency</b> | <b>600Hz</b><br><b>1200Hz</b><br><b>2000Hz</b><br><b>4000Hz</b><br><b>6000Hz</b><br><b>25KHz</b> |                | Sets the PWM frequency   |
| <b>Fan Mode</b>      | <b>Auto</b>  |                | Sets the fan to auto mode  |
|                      | <b>On</b>  |                | Sets the fan to always on  |
|                      | <b>Off</b>   |                | Sets the fan to always off   |
|                      | <b>Silent</b>  |                | Sets the fan to silent   |
| <b>Back Light</b>    | <b>10S</b>   |                | Turns off display backlight after 10 seconds of inactivity             |
|                      | <b>30S</b>   |                | Turns off display backlight after 30 seconds of inactivity             |
|                      | <b>2min</b>  |                | Turns off display backlight after 2 minutes of inactivity              |
|                      | <b>Always On</b>   |                | Display backlight always on  |
| <b>Information</b>   | <b>Fixture Hours</b>   | ____H          | Shows total hours the product has been powered on                      |
|                      | <b>LED Hours</b>   | ____H          | Shows total LED hours  |
|                      | <b>Version</b>   | V__            | Shows current firmware version   |
|                      | <b>UID</b>   | -----          | Shows product UID  |
| <b>Factory Reset</b> | <b>No</b>  |                | Resets the product to factory default settings                         |
|                      | <b>Yes</b>   |                |  |

**DMX Values**

| 1 Ch | 2 Ch | 3 Ch | 6 Ch | Function  | Value   | Percent/Setting  |
|------|------|------|------|---|---|--|
| 1    | 1    | 1    | 1    | <b>Dimmer</b>   | 000 ⇔ 255   | 0–100%   |
| –    | 2    | 2    | 2    | <b>Dimmer fine</b>                                      | 000 ⇔ 255   | 0–100%   |
| –    | –    | 3    | 3    | <b>Strobe</b>   | 000 ⇔ 010<br>011 ⇔ 255  | No function<br>Strobe, slow to fast  |
| –    | –    | –    | 4    | <b>Auto programs</b>                                    | 000 ⇔ 010<br>011 ⇔ 085<br>086 ⇔ 170<br>171 ⇔ 255  | No function<br>Auto program 1<br>Auto program 2<br>Auto program 3  |
| –    | –    | –    | 5    | <b>Auto speed</b>                                       | 000 ⇔ 255   | 0–100%   |
| –    | –    | –    | 6    | <b>Control</b><br>(hold for 3 seconds,<br>then release) | 000 ⇔ 007<br>008 ⇔ 015<br>016 ⇔ 023<br>024 ⇔ 031<br>032 ⇔ 039<br>040 ⇔ 047<br>048 ⇔ 055<br>056 ⇔ 063<br>064 ⇔ 071<br>072 ⇔ 079<br>080 ⇔ 087<br>088 ⇔ 095<br>096 ⇔ 103<br>104 ⇔ 111<br>112 ⇔ 255 | No function<br>Dimmer reset<br>Dimmer: S-Curve<br>Dimmer: linear<br>Dimmer: square<br>Dimmer: inverted square<br>Dimmer speed mode off<br>Dimmer speed mode 1<br>Dimmer speed mode 2<br>Dimmer speed mode 3<br>Fan auto<br>Fan on<br>Fan off<br>Fan silent<br>No function (reserved) |



## Operation

---

### Standalone Configuration

Use standalone configuration to operate the product without a DMX controller.

#### Static Mode

The Static mode allows for permanent dimmer and strobe presets without a DMX controller.

1. Go to the **Static** main level.
2. Select **Dimmer** or **Strobe**.
3. Select the desired value (**0–255**).

#### Auto Programs

Auto programs allow for dynamic blinder effects without a DMX controller.

1. Go to the **Auto Show** main level
2. Select the desired auto program (**Auto 1–3**).
3. Select the desired speed (**1–100**).



**The auto programs cannot be edited.**

#### Master/Slave

The Master/Slave mode allows a group of Ovation P-56UV products (the slaves) to simultaneously duplicate the output of another Ovation P-56UV (the master) without a DMX controller.

To set each of the slaves:

1. Go to the **Master/Slave** main level
2. Select **Slave**.

To set the master:

1. Go to the **Master/Slave** main level
2. Select **Master**.
3. Select a static setting.



- **The master is the one that runs a program.**
- **Do not connect a DMX controller to the products configured for Master/Slave operation. The DMX controller may interfere with signals from the master.**
- **The master should be the first product in the daisy chain.**

#### Dimmer Curve

To set the dimmer curve:

1. Go to the Dimmer Curve main level.
2. Select the desired option (**Linear, Square, Inverse Square, or S-Curve**).

#### Dimmer Profiles

This setting determines how fast the output of the Ovation P-56UV changes when the output value is modified.

1. Go to the **Dimmer Mode** main level.
2. Select a dimmer curve (**Off, Dimmer 1, Dimmer 2, or Dimmer 3**).



**Off:** The output is proportional (linear) to the dimmer channel value.  
**Dimmer 1-3:** The output follows the dimmer value based on the corresponding dimmer curve, **Dimmer 1** being the fastest.

#### LED Frequency

This option changes the Pulse Width Modulation (PWM) frequency of the LEDs on the Ovation P-56UV.

1. Go to the **LED Frequency** main level.
2. Select PWM Frequency (**600Hz, 1200Hz, 2000Hz, 4000Hz, 6000Hz, or 25Khz**).

## Fan Mode

This setting determines how the fan speed on the Ovation P-56UV is set.

1. Go to the **Fan Mode** main level
2. Select **Auto** (fan speed will increase or decrease based on product temperature), **Off** (fan will stay off. Product output will decrease based on product temperature), **Silent** (fan will maintain a constant silent speed), or **On** (fan speed will always be at maximum).



**WARNING: When operating in Fan Mode: Off, the fixture will become hotter to the touch than when using other fan modes. Use proper protective equipment to prevent burns. Keep a safe distance from flammable objects.**



**NOTICE: When operating in Fan Mode: Off, output of the fixture will be reduced and will not reach the same levels as when using other fan modes.**

## Back Light

This setting allows for selection of the amount of time the backlight on the Ovation P-56UV's display stays on after the last button is pressed on the control panel.

1. Go to the **Back Light** main level.
2. Select **10S** (10 seconds), **30S** (30 seconds), **2min** (2 minutes), or **Always On** (remains on).

## System Information

This option displays the total number of hours the product has run, the installed software version, and the product's UID.

1. Go to the **Information** main level.
2. Select **Fixture Hours**, **LED Hours**, **Version**, or **UID**.

## Factory Reset

This option restores the Ovation P-56UV to factory default settings.

1. Go to the **Factory Reset** main level.
2. Select **No** or **Yes**.

## 5. Maintenance

### Product Maintenance

To maintain optimum performance and minimize wear, clean this product frequently. Usage and environment are contributing factors in determining the cleaning frequency.

Clean this product at least twice a month. Dust build-up reduces light output performance and can cause overheating. This can lead to reduced light source life and increased mechanical wear.

To clean the product:

1. Unplug the product from power.
2. Wait until the product is at room temperature.
3. Use a vacuum (or dry compressed air) and a soft brush to remove dust collected on the external vents.
4. Clean all transparent surfaces with a mild soap solution, ammonia-free glass cleaner, or isopropyl alcohol.
5. Apply the solution directly to a soft, lint-free cotton cloth or a lens-cleaning tissue.
6. Softly drag any dirt or grime to the outside of the transparent surface.
7. Gently polish the transparent surfaces until they are free of haze and lint.



**Always dry the transparent surfaces carefully after cleaning them.**

## 6. Technical Specifications

### Dimensions and Weight

| Length            | Width             | Height           | Weight           |
|-------------------|-------------------|------------------|------------------|
| 12.48 in (317 mm) | 12.83 in (326 mm) | 14.0 in (363 mm) | 12.0 lb (5.4 kg) |

**Note:** Dimensions in inches rounded to the nearest hundredth.

### Power

| Power Supply Type    | Range                    | Voltage Selection |
|----------------------|--------------------------|-------------------|
| Switching (internal) | 100 to 240 VAC, 50/60 Hz | Auto-ranging      |

| Parameter                        | 120 V, 60 Hz       | 208 V, 60 Hz       | 230 V, 50 Hz       |
|----------------------------------|--------------------|--------------------|--------------------|
| Consumption                      | 125 W              | 130 W              | 136 W              |
| Operating Current                | 1.03 A             | 0.62 A             | 0.58 A             |
| Power-linking current (products) | 12 A (13 products) | 12 A (21 products) | 12 A (23 products) |
| Fuse                             | T 3.15 A, 250 V    | T 3.15 A, 250 V    | T 3.15 A, 250 V    |

| Power I/O              | U.S./Canada          | Worldwide            |
|------------------------|----------------------|----------------------|
| Power input connector  | Neutrik® powerCON® A | Neutrik® powerCON® A |
| Power output connector | Neutrik® powerCON® B | Neutrik® powerCON® B |
| Power cord plug        | Edison (U.S.)        | Local plug           |

### Light Source

| Type | Power | Lifespan     |
|------|-------|--------------|
| LED  | 114 W | 50,000 hours |

| Color | Quantity | Current |
|-------|----------|---------|
| UV    | 1        | 3.0 A   |

### Photometrics

| Parameter      | Wide Lens |
|----------------|-----------|
| Coverage Angle | 56°       |
| Radiant Power  | 33,022 mW |

### Thermal

| Maximum External Temperature | Cooling System |
|------------------------------|----------------|
| 113 °F (45 °C)               | Convection     |

### DMX

| I/O Connector    | Channel Range          |
|------------------|------------------------|
| 3- and 5-pin XLR | 1, 2, 3, or 6 channels |

### Ordering

| Product Name   | Item Code | UPC Number   |
|----------------|-----------|--------------|
| Ovation P-56UV | 03031499  | 781462218478 |



RoHS



## Contact Us

| General Information   | Technical Support  |
|---|--|
| <b>Chauvet World Headquarters</b>   |  |
| Address: 3360 Davie Rd., Suite 509<br>Davie, FL 33314<br>Voice: (954) 577-4455<br>Fax: (954) 929-5560<br>Toll Free: (800) 762-1084                      | Voice: (844) 393-7575<br>Fax: (954) 756-8015<br>Email: <a href="mailto:chauvetcs@chauvetlighting.com">chauvetcs@chauvetlighting.com</a><br>Website: <a href="http://www.chauvetprofessional.com">www.chauvetprofessional.com</a> |
| <b>Chauvet U.K.</b>   |  |
| Address: Pod 1 EVO Park<br>Little Oak Drive, Sherwood Park<br>Nottinghamshire, NG15 0EB<br>UK<br>Voice: +44 (0) 1773 511115<br>Fax: +44 (0) 1773 511110 | Email: <a href="mailto:UKtech@chauvetlighting.eu">UKtech@chauvetlighting.eu</a><br>Website: <a href="http://www.chauvetprofessional.eu">www.chauvetprofessional.eu</a>   |
| <b>Chauvet Benelux</b>  |  |
| Address: Stokstraat 18<br>9770 Kruishoutem<br>Belgium<br>Voice: +32 9 388 93 97   | Email: <a href="mailto:BNLtech@chauvetlighting.eu">BNLtech@chauvetlighting.eu</a><br>Website: <a href="http://www.chauvetprofessional.eu">www.chauvetprofessional.eu</a>   |
| <b>Chauvet France</b>   |  |
| Address: 3, Rue Ampère<br>91380 Chilly-Mazarin<br>France<br>Voice: +33 1 78 85 33 59  | Email: <a href="mailto:FRtech@chauvetlighting.fr">FRtech@chauvetlighting.fr</a><br>Website: <a href="http://www.chauvetprofessional.eu">www.chauvetprofessional.eu</a>   |
| <b>Chauvet Germany</b>  |  |
| Address: Bruno-Bürgel-Str. 11<br>28759 Bremen<br>Germany<br>Voice: +49 421 62 60 20   | Email: <a href="mailto:DEtech@chauvetlighting.de">DEtech@chauvetlighting.de</a><br>Website: <a href="http://www.chauvetprofessional.eu">www.chauvetprofessional.eu</a>   |
| <b>Chauvet Mexico</b>   |  |
| Address: Av. de las Partidas 34 - 3B<br>(Entrance by Calle 2)<br>Zona Industrial Lerma<br>Lerma, Edo. de México, CP 52000<br>Voice: +52 (728) 690-2010  | Email: <a href="mailto:servicio@chauvet.com.mx">servicio@chauvet.com.mx</a><br>Website: <a href="http://www.chauvetprofessional.mx">www.chauvetprofessional.mx</a>   |

## Warranty & Returns

For warranty terms and conditions and return information, please visit our website.

For customers in the United States and Mexico: [www.chauvetlighting.com/warranty-registration](http://www.chauvetlighting.com/warranty-registration).

For customers in the United Kingdom, Republic of Ireland, Belgium, the Netherlands, Luxembourg, France, and Germany: [www.chauvetlighting.eu/warranty-registration](http://www.chauvetlighting.eu/warranty-registration).