

OVATION

P-56FC

User Manual



Model ID: OVATIONP56-2

Edition Notes

The Ovation P-56FC User Manual includes a description, safety precautions, installation, programming, operation, and maintenance instructions for the Ovation P-56FC as of the release date of this edition.

Trademarks

Chauvet, Chauvet Professional, the Chauvet logo, and Ovation are registered trademarks or trademarks of Chauvet & Sons, LLC (d/b/a Chauvet and Chauvet Lighting) in the United States and other countries. Other company and product names and logos referred to herein may be trademarks of their respective companies.

Copyright Notice

The works of authorship contained in this manual, including, but not limited to, all designs, text, and images are owned by Chauvet.

© Copyright 2025 Chauvet & Sons, LLC. All rights reserved.

Electronically published by Chauvet in the United States of America.

Manual Use

Chauvet authorizes its customers to download and print this manual for professional information purposes only. Chauvet expressly prohibits the usage, copy, storage, distribution, modification, or printing of this manual or its content for any other purpose without written consent from Chauvet.

Document Printing

For best results, print this document in color, on letter size paper (8.5 x 11 in), double-sided. If using A4 paper (210 x 297 mm), configure the printer to scale the content accordingly.

Intended Audience

Any person installing, operating, and/or maintaining this product should completely read through the guide that shipped with the product, as well as this manual, before installing, operating, or maintaining this product.

Disclaimer

Chauvet believes that the information contained in this manual is accurate in all respects. However, Chauvet assumes no responsibility and specifically disclaims any and all liability to any party for any loss, damage, or disruption caused by any errors or omissions in this document, whether such errors or omissions result from negligence, accident, or any other cause. Chauvet reserves the right to revise the content of this document without any obligation to notify any person or company of such revision. However, Chauvet has no obligation to make, and does not commit to make, any such revisions.

Document Revision

Go to www.chauvetprofessional.com for the latest version.

Revision	Date	Description
2	06/2024	Added error codes, updated What's Included and Technical Specifications sections

TABLE OF CONTENTS

- 1. Before You Begin** 1
 - What Is Included 1
 - Claims 1
 - Manual Conventions 1
 - Symbols 1
 - Safety Notes..... 2
 - FCC Statement of Compliance 3
 - Expected LED Lifespan..... 3
- 2. Introduction** 4
 - Description 4
 - Features 4
 - Product Overview 5
 - Product Dimensions 6
- 3. Setup** 7
 - AC Power 7
 - AC Plug 7
 - Fuse Replacement..... 7
 - Power Linking..... 7
 - DMX Linking..... 8
 - DMX Personalities..... 8
 - Remote Device Management..... 8
 - Master/Slave Connectivity..... 8
 - Mounting 9
 - Orientation..... 9
 - Rigging 9
 - Procedure..... 9
 - Alternate Lens Changing Procedure 10
- 4. Operation** 11
 - Control Panel Operation..... 11
 - Control Options 11
 - Programming..... 11
 - DMX Configuration 11
 - DMX Personalities..... 11
 - Starting Address..... 11
 - Menu Map 12
 - Virtual Color Wheel 15
 - Virtual Color Wheel Chart 15
 - Color Temperature Chart 16
 - DMX Values 17
 - 16Ch / 13Ch / 12Ch / 10Ch..... 17
 - 7Ch / 5Ch / 3Ch / 1Ch..... 18
 - HSV 18
 - Standalone Configuration..... 19
 - Static Mode 19
 - Auto Programs 19
 - Red Shift 19
 - Master/Slave 19

Dimmer Curve	19
Dimmer Profiles.....	20
White Balance	20
LED Frequency	20
Fan Mode	20
Back Light	20
System Information	20
Factory Reset.....	20
Error Codes.....	21
5. Maintenance.....	22
Product Maintenance	22
6. Technical Specifications	23
Contact Us	24
Warranty & Returns.....	24

Before You Begin

1. Before You Begin

What Is Included

- Ovation P-56FC
- Seetronic powerkon IP65 power cable
- Gel frame (7.5 in/191 mm accessories)
- Narrow, medium, and wide lenses
- Quick Reference Guide

Claims

Carefully unpack the product immediately and check the container to make sure all the parts are in the package and are in good condition.





If the box or the contents (the product and included accessories) appear damaged from shipping, or show signs of mishandling, notify the carrier immediately, not Chauvet. Failure to report damage to the carrier immediately may invalidate customer's claim. In addition, keep the box and contents for inspection.

For other issues, such as missing components or parts, damage not related to shipping, or concealed damage, file a claim with Chauvet within 7 days of delivery.

Manual Conventions

Convention	Meaning
1–512	A range of values
50/60	A set of values of which only one can be chosen
<SET>	A button on the product's control panel
Settings	A product function or a menu option

Symbols

Symbol	Meaning
	Electrical warning. Not following these instructions may cause electrical damage to the product, accessories, or the user.
	Critical installation, configuration, or operation information. Not following these instructions may make the product not work, cause damage to the product, or cause harm to the operator.
	Important installation or configuration information. The product may not function correctly if this information is not used.
	Useful information.

The term “DMX” used throughout this manual refers to the USITT DMX512-A digital data transmission protocol.

Connection of the control signal: DMX line

- The product has XLR sockets for DMX input and output.
- **Notice:** This control circuit is isolated and belongs to the Class 2 data port.

The control circuit has a cumulative leakage current of less than 3.5 mA.

Safety Notes

Read all the following safety notes before working with this product. These notes contain important information about the installation, usage, and maintenance of this product.



This product contains no user-serviceable parts. Any reference to servicing in this User Manual will only apply to properly trained, certified technicians. Do not open the housing or attempt any repairs.



All applicable local codes and regulations apply to proper installation of this product.

- The luminaire is intended for professional use only.
- If the external flexible cable or cord of this luminaire is damaged, it shall be replaced by a special cord or cord exclusively available from the manufacturer or its service agent.
- The light source contained in this luminaire shall only be replaced by the manufacturer or its service agent or a similar qualified person.
- **CAUTION:**
 - This product's housing may be hot when operating. Mount this product in a location with adequate ventilation, at least 20 in (50 cm) from adjacent surfaces.
 - When transferring the product from extreme temperature environments, (e.g., cold truck to warm humid ballroom) condensation may form on the internal electronics of the product. To avoid causing a failure, allow the product to fully acclimate to the surrounding environment before connecting it to power.
 - Flashing light is known to trigger epileptic seizures. User must comply with local laws regarding notification of strobe use.
- **ALWAYS:**
 - Disconnect from power before cleaning the product or replacing the fuse.
 - Replace the fuse with the same type and rating.
 - Use a safety cable when mounting this product overhead.
 - Connect this product to a grounded and protected circuit.
- **DO NOT:**
 - Open this product. It contains no user-serviceable parts.
 - Look at the light source when the product is on.
 - Leave any flammable material within 50 cm of this product while operating or connected to power.
 - Connect this product to a dimmer or rheostat.
 - Operate this product if the housing, lenses, or cables appear damaged.
 - Operate this product outdoors or in any location where dust, excessive heat, water, or humidity may affect it (adhere to standards for the published IP rating).
- **ONLY** use the hanging/mounting bracket to carry this product.
- The maximum ambient temperature is 113 °F (45 °C). Do not operate this product at higher temperatures.
- The minimum startup temperature is -4°F (-20°C). Do not start the product at lower temperatures.
- The minimum ambient temperature is -22°F (-30°C). Do not operate the product at lower temperatures.
- To eliminate unnecessary wear and improve its lifespan, during periods of non-use completely disconnect the product from power via breaker or by unplugging it.
- In the event of a serious operating problem, stop using immediately.



If this Chauvet product requires service, contact Chauvet Technical Support.

Before You Begin

FCC Statement of Compliance

This device complies with Part 15 Part B of the FCC rules. Operation is subject to the following two conditions:

1. This device may not cause harmful interference, and
2. This device must accept any interference received, including interference that may cause undesired operation.

This equipment has been tested and found to comply with the limits for a Class B digital device, pursuant to Part 15 of the FCC Rules. These limits are designed to provide reasonable protection against harmful interference in a residential installation. This equipment generates uses and can radiate radio frequency energy and, if not installed and used in accordance with the instructions, may cause harmful interference to radio communications. However, there is no guarantee that interference will not occur in a particular installation. If this equipment does cause harmful interference to radio or television reception, which can be determined by turning the equipment off and on, the user is encouraged to try to correct the interference by one or more of the following measures:

- Reorient or relocate the receiving antenna.
- Increase the separation between the equipment and receiver.
- Connect the equipment into an outlet on a circuit different from that to which the receiver is connected.
- Consult the dealer or an experienced radio/TV technician for help.

Any changes or modifications not expressly approved by the party responsible for compliance could void the user's authority to operate the equipment.

Expected LED Lifespan

Over time, use and heat will gradually reduce LED brightness. Clustered LEDs produce more heat than single LEDs, contributing to shorter lifespans if always used at full intensity. The average LED lifespan is 40,000 to 50,000 hours. To extend LED lifespan, maintain proper ventilation around the product, and limit the overall intensity.

2. Introduction

Description

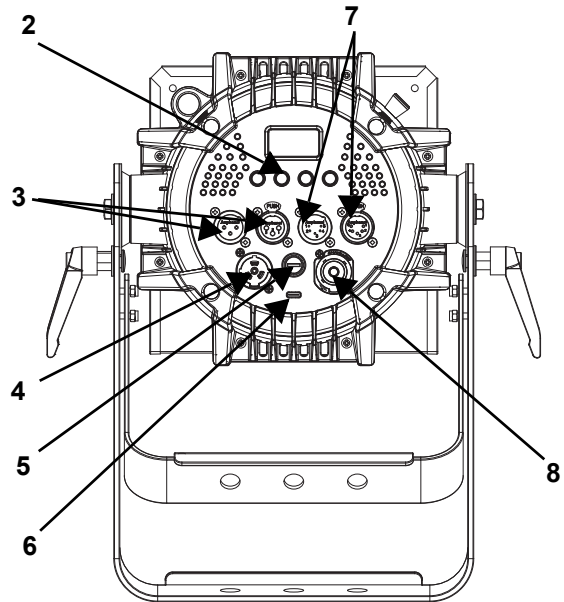
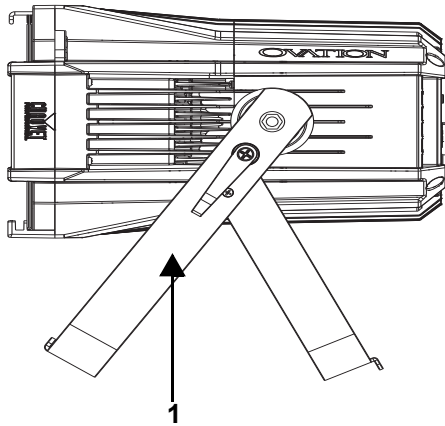
The Ovation P-56FC is a compact, virtually silent par that produces a homogenized, single-source, flat, and even field of light with high CRI. The bright unit uses an advanced full color-mixing RGBAL LED system to produce subtle pastels to punchy saturates, and nearly any temperature of white. The unit accepts standard 7.5" beam-shaping accessories, and interchangeable lens plates are included for medium and wide beam angles. Ideal for theatrical and studio applications, the virtually silent par features extremely smooth 16-bit dimming, and RDM and PWM for ease of setup.

Features

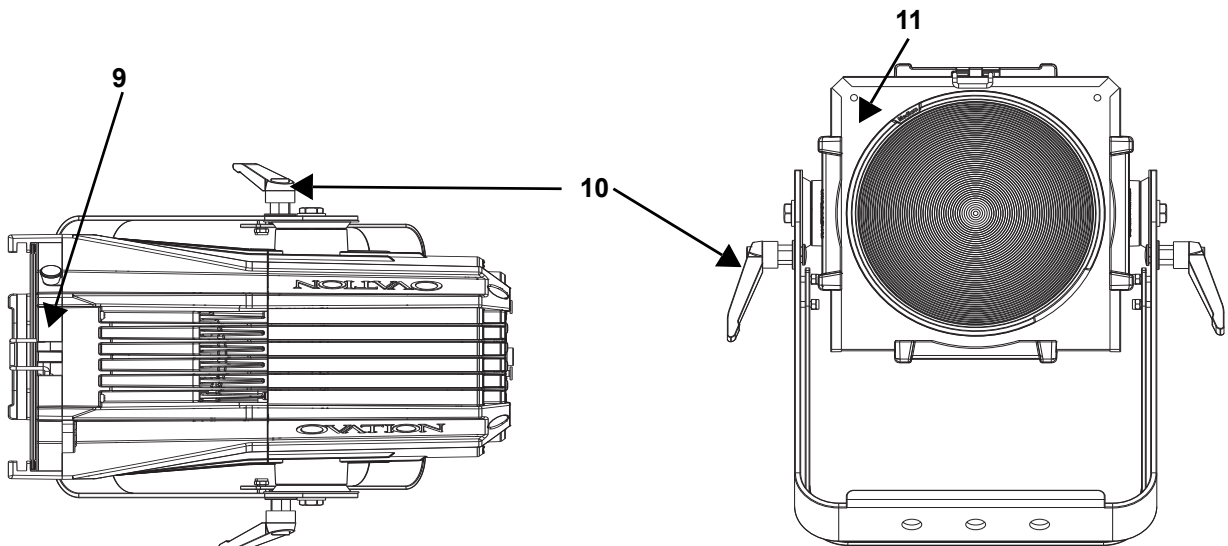
- Operating modes:
 - HSV: hue, saturation, value
 - 1-channel: dimmer
 - 3-channel: dimmer, virtual color wheel, color temperature
 - 5-channel: RGBAL
 - 7-channel: dimmer, RGBAL, strobe
 - 10-channel: 16-bit dimmer, RGBAL, strobe, virtual color wheel, color temperature
 - 12-channel: dimmer, RGBAL, strobe, virtual color wheel, color temperature, auto programs, auto speed, dimmer speed mode, control
 - 13-channel: 16-bit dimmer, 16-bit RGBAL, strobe
 - 16-channel: 16-bit dimmer, 16-bit RGBAL, strobe, virtual color wheel, color temperature, control
- Full color PAR style fixture with homogenized single source of light
- Interchangeable lens plates included for medium and wide beam angles
- Flat, even field of light
- Quiet operation for use in any situation with fan speed control
- RDM and variable PWM (Pulse Width Modulation) for setup ease
- Accepts standard 7.5" beam-shaping accessories
- 16-bit dimming resolution for smooth fades

Introduction

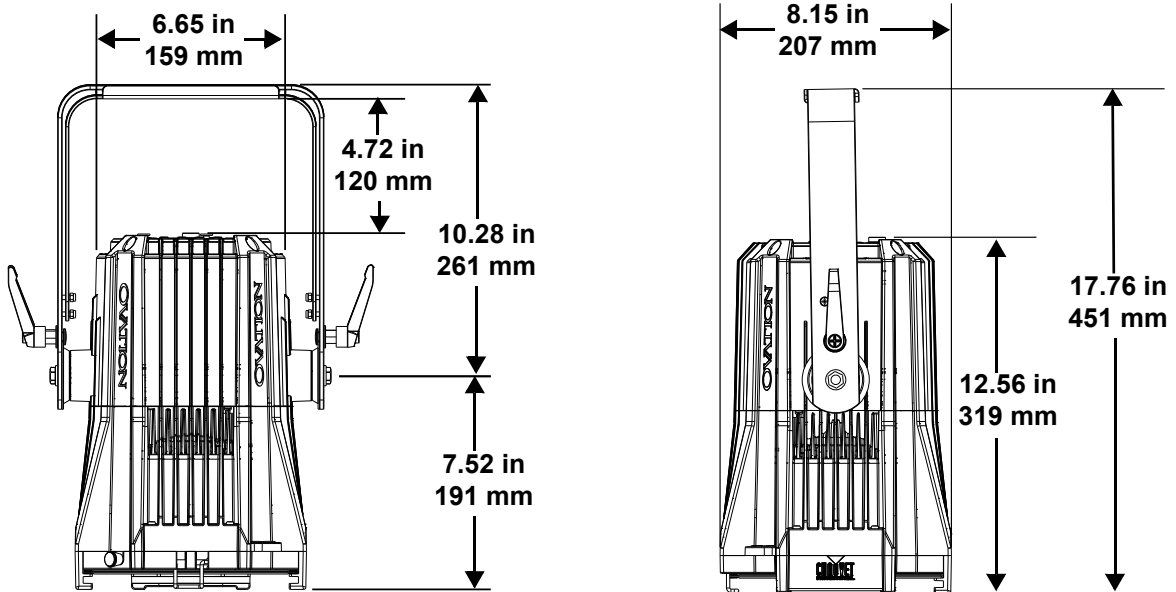
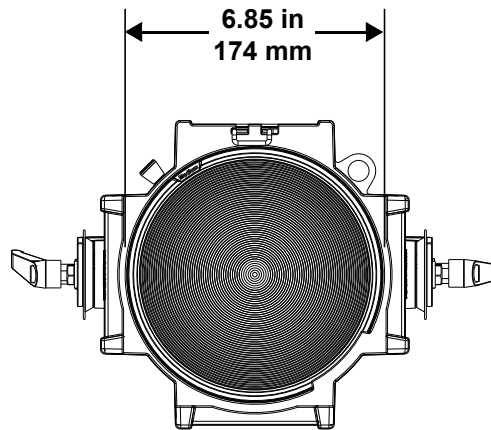
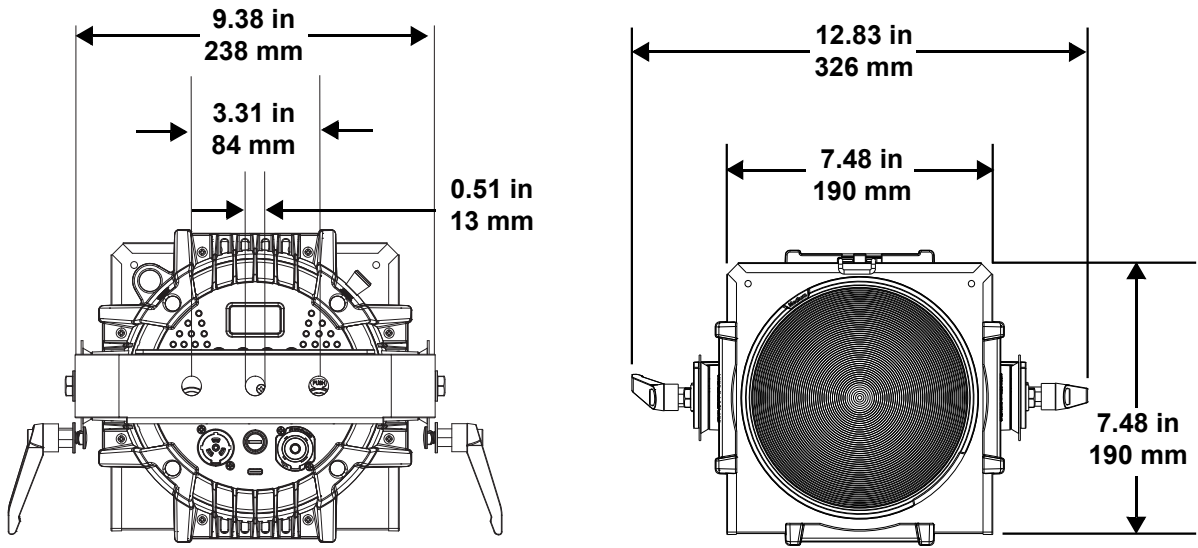
Product Overview



#	Name
1	Bracket
2	Menu buttons
3	3-pin DMX in/out
4	Power in
5	Fuse
6	USB port
7	5-pin DMX in/out
8	Power out
9	Gel frame holder clip
10	Tilt adjustment frames
11	Gel frame



Product Dimensions



Setup

3. Setup

AC Power

Each Ovation P-56FC has an auto-ranging power supply that works with an input voltage range of 100 to 240 VAC, 50/60 Hz.

To determine the product's power requirements (circuit breaker, power outlet, and wiring), use the current value listed on the label affixed to the product's back panel, or refer to the product's specifications chart. The listed current rating indicates the product's average current draw under normal conditions.



- **Always connect the product to a protected circuit (a circuit breaker or fuse). Ensure the product has an appropriate electrical ground to avoid the risk of electrocution or fire.**
- **To eliminate unnecessary wear and improve its lifespan, during periods of non-use completely disconnect the product from power via breaker or by unplugging it.**



Never connect the product to a rheostat (variable resistor) or dimmer circuit, even if the rheostat or dimmer channel serves only as a 0 to 100% switch.

AC Plug

The Ovation P-56FC comes with a power input cord terminated with a Seetronic Powerkon IP65 power cable connector on one end and an Edison plug on the other end (U.S. market). If the power input cord that came with the product has no plug, or if the plug needs to be changed, use the table below to wire the new plug.

Connection	Wire (U.S.)	Wire (Europe)	Screw Color
AC Live	Black	Brown	Yellow or Brass
AC Neutral	White	Blue	Silver
AC Ground	Green/Yellow	Green/Yellow	Green

Fuse Replacement

1. Disconnect this product from the power outlet.
2. Using a flathead screwdriver, unscrew the fuse holder cap from the housing.
3. Remove the blown fuse and replace with another fuse of the same type and rating (T 3.15 A, 250 V).
4. Screw the fuse holder cap back in place and reconnect power.



Make sure to disconnect the product's power cord before replacing a blown fuse. Always replace the blown fuse with another of the same type and rating.

Power Linking

It is possible to power link Ovation P-56FC products. See the table below for the current draw at each voltage and frequency:

	100 V, 60 Hz	120 V, 60 Hz	208 V, 60 Hz	230 V, 50 Hz	240 V, 50 Hz
Current Draw	1.68 A	1.36 A	0.80 A	0.75 A	0.73 A

Never exceed 12 A on a single circuit. Power-linking cables can be purchased separately.

DMX Linking

The Ovation P-56FC can be linked to a DMX controller using a 3-pin and 5-pin DMX connection. If using other DMX-compatible products with this product, it is possible to control each individually with a single DMX controller.

DMX Personalities

The Ovation P-56FC uses a 3-pin and 5-pin DMX data connection for the **HSV, 1Ch, 3Ch, 5Ch, 7Ch, 10Ch, 12Ch, 13Ch, and 16Ch** DMX personalities.

- Refer to the [Operation](#) chapter to learn how to configure the Ovation P-56FC to work in these personalities.
- The [DMX Personalities](#) section provides detailed information regarding the DMX personalities.



For information about DMX standards, Master/Slave connectivity, or the DMX cables needed to link this product to a DMX controller, download the DMX Primer from the Chauvet website: www.chauvetprofessional.com.

Remote Device Management

Remote Device Management, or RDM, is a standard for allowing DMX-enabled devices to communicate bi-directionally along existing DMX cabling. Check the DMX controller's User Manual or with the manufacturer as not all DMX controllers have this capability. The Ovation P-56FC supports RDM protocol that allows feedback to make changes to menu map options.

Master/Slave Connectivity

The Master/Slave mode allows an Ovation P-56FC (the master) to control one or more Ovation P-56FC products (the slaves) without a DMX controller. One Ovation P-56FC becomes the master when running an auto program or in Static mode.

Each slave's control panel must be configured to operate in Slave mode. During Master/Slave operation, the slaves will operate in unison with the master.



DO NOT connect a DMX controller to products operating in Master/Slave mode. The DMX controller signals may interfere with the signals from the master.



- The [Operation](#) section of this manual provides detailed instructions on how to configure the master and slaves.
- For more information about DMX standards or the DMX cables needed to link this product to a DMX controller, download the DMX primer from the Chauvet website: www.chauvetprofessional.com.

Setup

Mounting

Before mounting the product, read and follow the safety recommendations indicated in the [Safety Notes](#).

Orientation

Always mount this product in a safe position, ensuring that there is adequate room for ventilation, configuration, and maintenance.

Rigging

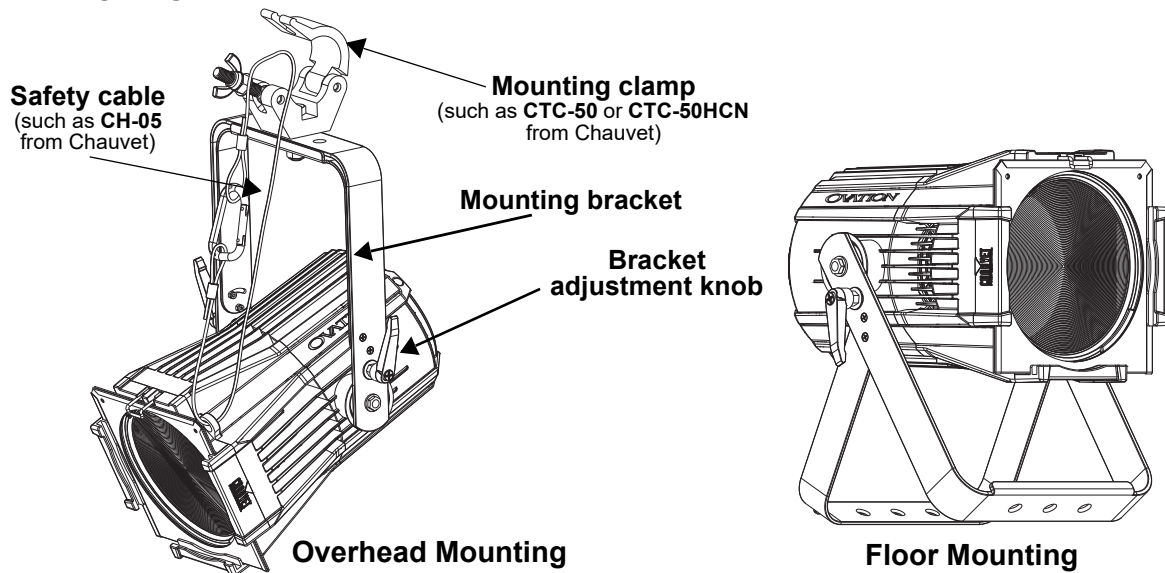
Chauvet recommends using the following general guidelines when mounting this product:

- Before deciding on a location for the product, make sure there is easy access to the product for maintenance and programming purposes.
- Make sure that the structure and attachment points can support the weight before hanging the product (see the [Technical Specifications](#) for weight information).
- When mounting the product overhead, always use a safety cable. Mount the product securely to a rigging point, whether an elevated platform or a truss.
- When rigging the product onto a truss, use a mounting clamp of appropriate weight capacity.

Procedure

The Ovation P-56FC comes with an Omega/adjustable bracket. The user can directly attach a mounting clamp (sold separately) to this Omega bracket. Make sure the clamp is capable of supporting the weight of this product. For the Chauvet Professional line of mounting clamps, go to <http://www.trusst.com/products>.

Mounting Diagram



Alternate Lens Changing Procedure

The Ovation P-56FC has the ability to have different types of lenses installed. The interchangeable lenses allow the product to have alternate beam angles.

To remove the lens

1. Pull knob up.
2. Grab the tab on the lens, and pull it out of the fixture.



DO NOT connect a DMX controller to products operating in Master/Slave mode. The DMX controller signals may interfere with the signals from the master.

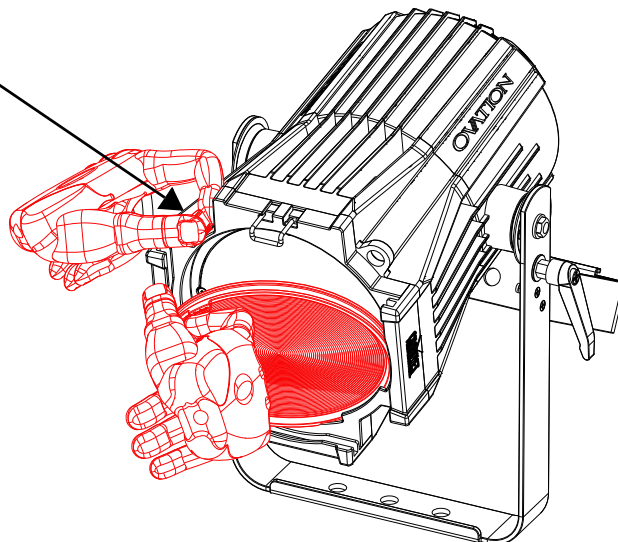
To install a lens

1. Pull knob up.
2. Insert the bottom of the lens at approximately the 5 o'clock position with the lens tab located at the 11 o'clock position.
3. Push the top of the lens in and release the knob.



The lens type is molded into the tab.

**Pull knob up to release
and change the lens**



4. Operation

Control Panel Operation

Button	Function
<MENU>	Exits from the current menu or function
<ENTER>	Enables the currently displayed menu or sets the currently selected value in to the current function
<UP>	Navigates upward through the menu list or increases the numeric value when in a function
<DOWN>	Navigates downward through the menu list or decreases the numeric value when in a function

Control Options

Set the Ovation P-56FC starting address in the 001-512 DMX range. This enables control of up to 17 products in the 16-channel personality.

Programming

Refer to the [Menu Map](#) to understand the menu options. The menu map shows the main level and a variable number of programming levels for each option.

- To go to the desired main level, press <MENU> repeatedly until the option shows on the display. Press <ENTER> to select. This will show the first programming level for that option.
- To select an option or value within the current programming level, press <UP> or <DOWN> until the option shows on the display. Press <ENTER> to select. This will show either the first option if there is another programming level, or the selected value.
- Press <MENU> repeatedly to exit to the previous main level.

DMX Configuration

Use DMX configurations to operate the product with a DMX controller.

DMX Personalities

This setting allows the user to choose a particular DMX personality.

1. Go to the **DMX Channel** main level.
2. Select the desired personality (**1Ch, 3Ch, 5Ch, 7Ch, 10Ch, 12Ch, 13Ch, 16Ch, and HSV**).



- See the [Starting Address](#) section for the highest starting address suggested for each personality.
- Make sure that the starting addresses on the various products do not overlap due to the new personality setting.

Starting Address

In this mode, each product will respond to a unique starting address from the DMX controller. All products with the same starting address will respond in unison.

1. Go to the **DMX Address** main level.
2. Select **Address**.
3. Set the starting address (**001–512**).

The highest recommended starting address for each DMX mode is as follows:

DMX Personality	DMX Address
1Ch	512
3Ch	510
5Ch	508
7Ch	506
10Ch	503
12Ch	501
13Ch	500
16Ch	497

Menu Map

Refer to the Ovation P-56FC product page on www.chauvetprofessional.com for the latest software and menu map.

Main Level	Programming Levels			Description
DMX Address	Address	001–512*		Selects DMX address (*highest channel restricted to personality chosen)
DMX Channel	1Ch	Virtual Color Wheel		1-channel: dimmer, red shift See Virtual Color Wheel Chart
		Color Temperature		See Color Temperature Chart
		Manual Color Mixer	Red	0–255
	Green			
	Blue			
	Amber			
	Lime			
	3Ch		3-channel: dimmer, virtual color wheel, color temperature	
	5Ch		5-channel: RGBAL	
	7Ch		7-channel: RGBAL, dimmer, strobe	
10Ch		10-channel: 16-bit dimmer, RGBAL, virtual color wheel, color temperature, strobe		
12Ch		12-channel: RGBAL, dimmer, virtual color wheel, color temperature, strobe, auto program, auto speed, dimmer speed, control		
13Ch		13-channel: 16-bit RGBAL and dimmer, strobe		
16Ch		16-channel: 16-bit RGBAL and dimmer, virtual color wheel, color temperature, strobe, control		
HSV		3-channel: hue, saturation, value		

Main Level	Programming Levels		Description			
Virtual Color Wheel	Virtual Color Wheel	C3050 - Md Yellow	Dimmer 0–255 Virtual Color Wheel simulates the output of each gel color. Refer to the Virtual Color Wheel Chart for specific values.			
		C3040 - Lt Yellow				
		C3240 - Amb Yellow				
		C2340 - VLt Amber				
		C2040 - Lt Amber				
		C2050 - Md Amber				
		C2060 - Dk Amber				
		C1050 - Lt Red				
		C1080 - Md Red				
		C1020 - NC Pink				
		C1030 - Md Pink				
		C1630 - Dk Pink				
		C1250 - Md Red Amber				
		C1060 - Dk Red Amber				
		C1650 - Magenta				
		C6170 - Dk Magenta				
		C6020 - Lt Lavender				
		C5030 - Lt Blue				
		C5020 - VLt Blue				
		C5430 - Lt Blue 2				
		C5070 - Blue				
		C5050 - Md Blue				
		C5060 - Dk Blue				
		C5690 - Indigo				
		C5080 - VDk Blue				
		C5081 - VDk Blue 2				
		C4370 - Yel Green				
		C4070 - Green				
		C4550 - Turquoise				
		C4560 - Aqua				
		C4570 - Blue Green				
		Color Temperature		Color Temperature	2800K	Dimmer 0–255 Preset white color temperatures. Emulates a tungsten lamp at the specified color temperature. Refer to the Color Temperature Chart for specific values.
					3000K	
3200K						
3500K						
4000K						
4500K						
5000K						
5600K						
6000K						
6500K						
Manual Color Mixer	Manual Color Mixer	Red	0–255 Combines red, green, blue, amber, and lime to make a custom color (0–100%)			
		Green				
		Blue				
		Amber				
		Lime				
Auto Show	Auto 1–5	1–100	Selects automatic programs and auto program speed			
Red Shift	On		Mimics halogen lamp dimming			
	Off					

Main Level	Programming Levels		Description	
Master/ Slave	Master		Receives DMX signal from the DMX controller (master)	
	Slave		Receives DMX signal from the master unit	
Dimmer Curve	Linear		Sets the dimmer curve	
	Square			
	I Square			
	SCurve			
Dimmer Mode	Off		Linear dimmer	
	Dimmer 1–3		Dimming curves, from fast (Dimmer 1) to slow (Dimmer 3)	
White Balance	Off		Uses factory default white setting	
	Manual	Red	125–255	Sets red LED maximum value
		Green		Sets green LED maximum value
		Blue		Sets blue LED maximum value
		Amber		Sets amber LED maximum value
		Lime		Sets lime LED maximum value
LED Frequency	600Hz		Sets the PWM frequency	
	1200Hz			
	2000Hz			
	4000Hz			
	6000Hz			
	25KHz			
Fan Mode	Auto		Sets the fan to auto mode	
	On		Sets the fan to always on	
	Off		Sets the fan to always off	
	Silent		Sets the fan to silent	
Back Light	10S		Turns off display backlight after 10 seconds of inactivity	
	30S		Turns off display backlight after 30 seconds of inactivity	
	2Min		Turns off display backlight after 2 minutes of inactivity	
	Always On		Display backlight always on	
Information	Fixture Hours	----_H	Shows total hours the product has been powered on	
	LED Hours	----_H	Shows total LED hours	
	Version	V_._	Shows current firmware version	
	UID	-----	Shows product UID	
Reset Factory	No		Resets the product to factory default settings	
	Yes			

Virtual Color Wheel

The Ovation P-56FC includes a feature called the Virtual Color Wheel (VCW). This feature is available as a standalone control mode for manual use and as a control channel in select DMX personalities. More than 30 premixed colors, custom blended by Chauvet engineers, are available to call up for easier programming.

The DMX values used to mix these colors are provided below. The overall intensity of the Ovation fixture can be adjusted to more closely replicate familiar industry-standard colors. A chart is available at www.chauvetprofessional.com to compare Chauvet's premixed colors with popular gel colors. This chart is for comparison purposes only and is not an assertion that Chauvet's premixed colors match any of the gel colors listed.

Virtual Color Wheel Chart

DMX Values	Display Readout	Red	Green	Blue	Amber	Lime
000 ⇔ 005	C3050-Md Yellow	255	241	1	255	225
006 ⇔ 013	C3040-Lt Yellow	255	147	13	255	255
014 ⇔ 021	C3240-Amb Yellow	255	141	0	255	219
022 ⇔ 028	C2340-VLt Amber	255	169	32	255	51
029 ⇔ 035	C2040-Lt Amber	255	122	21	179	99
036 ⇔ 043	C2050-Md Amber	255	67	2	255	116
044 ⇔ 051	C2060-Dk Amber	255	15	3	255	124
052 ⇔ 059	C1050-Lt Red	255	6	5	51	0
060 ⇔ 067	C1080-Md Red	255	0	2	34	2
068 ⇔ 075	C1020-NC Pink	255	182	86	255	141
076 ⇔ 083	C1030-Md Pink	255	126	86	255	141
084 ⇔ 091	C1630-Dk Pink	255	187	83	255	148
092 ⇔ 099	C1250-Md Red Amber	255	0	12	246	32
100 ⇔ 107	C1060-Dk Red Amber	255	0	18	206	0
108 ⇔ 115	C1650-Magenta	255	14	88	255	110
116 ⇔ 121	C6170-Dk Magenta	255	0	111	77	0
122 ⇔ 130	C6020-Lt Lavender	255	255	147	255	255
131 ⇔ 138	C5030-Lt Blue	15	255	223	30	255
139 ⇔ 146	C5020-VLt Blue	12	255	221	229	255
147 ⇔ 154	C5430-Lt Blue2	0	255	201	19	255
155 ⇔ 162	C5070-Blue	0	255	255	23	32
163 ⇔ 170	C5050-Md Blue	0	255	253	17	126
171 ⇔ 178	C5060-Dk Blue	12	255	255	43	11
179 ⇔ 186	C5690-Indigo	38	58	255	0	0
187 ⇔ 194	C5080-VDk Blue	0	167	255	0	11
195 ⇔ 202	C5081-VdK Blue2	0	155	255	4	12
203 ⇔ 210	C4370-Yel Green	0	255	6	0	67
211 ⇔ 218	C4070-Green	0	255	20	124	30
219 ⇔ 226	C4550-Turquoise	0	255	50	194	7
227 ⇔ 234	C4560-Aqua	0	255	82	105	148
235 ⇔ 242	C4570-Blue Green	0	255	46	0	46



The color temperatures above are simulated renditions of the color output produced compared with a tungsten lamp at the specified color temperature. Chauvet makes no guarantee of the color output accuracy.

Color Temperature Chart

DMX Values	Temperature	Red Value	Green Value	Blue Value	Amber Value	Lime Value
000 ⇔ 005	No function	–	–	–	–	–
006 ⇔ 025	2800K	134	58	44	255	255
026 ⇔ 050	3000K	124	72	52	255	255
051 ⇔ 075	3200K	115	86	60	255	255
076 ⇔ 100	3500K	106	104	71	255	255
101 ⇔ 125	4000K	94	136	92	255	255
126 ⇔ 150	4500K	86	162	113	255	255
151 ⇔ 175	5000K	79	185	133	255	255
176 ⇔ 200	5600K	73	208	156	255	255
201 ⇔ 225	6000K	68	220	170	255	255
226 ⇔ 250	6500K	64	232	186	255	255
251 ⇔ 255	No function	–	–	–	–	–



The color temperatures above are simulated renditions of the color output produced compared with a tungsten lamp at the specified color temperature. Chauvet makes no guarantee of the color output accuracy.

DMX Values

16Ch / 13Ch / 12Ch / 10Ch

10	12	13	16	Function	Value	Percent/Setting
1	1	1	1	Dimmer	000 ⇄ 255	0–100%
2	–	2	2	Dimmer fine	000 ⇄ 255	0–100%
3	2	3	3	Red	000 ⇄ 255	0–100%
–	–	4	4	Red fine	000 ⇄ 255	0–100%
4	3	5	5	Green	000 ⇄ 255	0–100%
–	–	6	6	Green fine	000 ⇄ 255	0–100%
5	4	7	7	Blue	000 ⇄ 255	0–100%
–	–	8	8	Blue fine	000 ⇄ 255	0–100%
6	5	9	9	Amber	000 ⇄ 255	0–100%
–	–	10	10	Amber fine	000 ⇄ 255	0–100%
7	6	11	11	Lime	000 ⇄ 255	0–100%
–	–	12	12	Lime fine	000 ⇄ 255	0–100%
8	7	13	13	Strobe	000 ⇄ 010 011 ⇄ 255	No function Strobe, slow to fast
9	8	–	14	Virtual color wheel	000 ⇄ 255	See Virtual Color Wheel Chart
10	9	–	15	Color temperature	000 ⇄ 255	See Color Temperature Chart
–	10	–	–	Auto programs	000 ⇄ 010 011 ⇄ 060 061 ⇄ 110 111 ⇄ 160 161 ⇄ 210 211 ⇄ 255	No function Auto program 1 Auto program 2 Auto program 3 Auto program 4 Auto program 5
–	11	–	–	Auto speed	000 ⇄ 255	0–100%
–	12	–	16	Control (hold for 3 seconds)	000 ⇄ 007 008 ⇄ 015 016 ⇄ 023 024 ⇄ 031 032 ⇄ 039 040 ⇄ 047 048 ⇄ 055 056 ⇄ 063 064 ⇄ 071 072 ⇄ 079 080 ⇄ 087 088 ⇄ 095 096 ⇄ 103 104 ⇄ 111 112 ⇄ 119 120 ⇄ 127 128 ⇄ 255	No function Dimmer reset Red shift on Red shift off S-curve dimmer Linear dimmer Square dimmer curve Inverse square dimmer curve Dimmer speed mode OFF Dimmer speed 1 (fastest) Dimmer speed 2 Dimmer speed 3 (slowest) Fan auto Fan on Fan off Fan silent Reserved for future use

7Ch / 5Ch / 3Ch / 1Ch

1	3	5	7	Function	Value	Percent/Setting
1	1	–	1	Dimmer	000 ⇔ 255	0–100%
–	–	1	2	Red	000 ⇔ 255	0–100%
–	–	2	3	Green	000 ⇔ 255	0–100%
–	–	3	4	Blue	000 ⇔ 255	0–100%
–	–	4	5	Amber	000 ⇔ 255	0–100%
–	–	5	6	Lime	000 ⇔ 255	0–100%
–	2	–	–	Virtual color wheel	000 ⇔ 255	See Virtual Color Wheel Chart
–	3	–	–	Color temperature	000 ⇔ 255	See Color Temperature Chart
–	–	–	7	Strobe	000 ⇔ 010 011 ⇔ 255	No function Strobe, slow to fast

HSV

Channel	Function	Value	Percent/Setting
1	Hue	000 ⇔ 255	0–100%
2	Saturation	000 ⇔ 255	0–100%
3	Value	000 ⇔ 255	0–100%

Operation

Standalone Configuration

Use standalone configuration to operate the product without a DMX controller.

Static Mode

The Static mode allows for an unchanging color without a DMX controller.

Virtual Color Wheel

1. Go to the **Virtual Color Wheel** main level.
2. Select **Virtual Color Wheel**.
3. Select the desired gel color (see [Virtual Color Wheel Chart](#)).
4. Select the desired output level (**000–255**).

Color Temperature

To select a color temperature, do the following:

1. Go to the **Virtual Color Wheel** main level.
2. Select **Color Temperature**.
3. Select the desired color temperature (see [Color Temperature Chart](#)).
4. Select the desired output level (**000–255**).

Manual Color Mixer

To do color mixing without a DMX controller, follow the instructions below:

1. Go to the **Static** main level.
2. Select **Manual Color Mixer**.
3. Select the color to edit (**Red, Green, Blue, Amber, or Lime Green**).
4. Select the desired output level for that color (**000–255**).
5. Repeat steps 3 and 4 until product outputs as desired.

Auto Programs

Auto programs allow for dynamic blinder effects without a DMX controller.

1. Go to Auto Show main level.
2. Select the desired auto program (**Auto 1–5**).
3. Select the desired speed (**1–100**).



NOTICE: When operating in Fan Mode: Off, output of the fixture will be reduced and will not reach the same levels as when using other fan modes.

Red Shift

The Red Shift function causes the amber LEDs to imitate the appearance of a halogen lamp when dimming.

To adjust the Red Shift function, do the following:

1. Go to the **Red Shift** main level.
2. Select **On** or **Off**.

Master/Slave

The Master/Slave mode allows a group of Ovation P-56FC products (the slaves) to simultaneously duplicate the output of another Ovation P-56FC (the master) without a DMX controller.

To set each of the slaves:

1. Go to the **Master/Slave** main level
2. Select **Slave**.

To set the master:

1. Go to the **Master/Slave** main level
2. Select **Master**.
3. Select a static setting.



- **The master is the one that runs a program whether in Auto or Static mode.**
- **Do not connect a DMX controller to the products configured for Master/Slave operation. The DMX controller may interfere with signals from the master.**
- **The master should be the first product in the daisy chain.**

Dimmer Curve

To set the dimmer curve, follow the instructions below:

1. Go to the Dimmer Curve main level.
2. Select the desired option (**Linear, Square, I Squa, or SCurve**).

Dimmer Profiles

This setting determines how fast the output of the Ovation P-56FC changes when the output value is modified. It provides four different options to simulate the dimming curve of an incandescent lighting product. To select a specific dimmer profile, do the following:

1. Go to the **Dimmer Mode** main level.
2. Select a dimmer curve (**Off**, **Dimmer 1**, **Dimmer 2**, or **Dimmer 3**).



Off: The output is proportional (linear) to the dimmer channel value.

Dimmer 1-3: The output follows the dimmer value based on the corresponding dimmer curve, **Dimmer 1** being the fastest.

White Balance

This setting determines the maximum output values for each color, which affects the appearance of a full output white.

1. Go to the **White Balance** main level.
2. Select **Off** (the product will use a default setting) or **Manual**.
3. For **Manual** mode, select the color value to edit (**Red**, **Green**, **Blue**, **Amber**, or **Lime Green**).
4. Set the maximum value for the selected color (**125–255**).
5. Repeat steps 3 and 4 until the product outputs as desired.

LED Frequency

This option changes the Pulse Width Modulation (PWM) frequency of the LEDs on the Ovation P-56FC. To do so, follow the instructions below:

1. Go to the **LED Frequency** main level.
2. Select PWM Frequency (**600Hz**, **1200Hz**, **2000Hz**, **4000Hz**, **6000Hz**, or **25KHz**).

Fan Mode

This setting determines how the fan speed on the Ovation P-56FC is set.

1. Go to the **Fan Mode** main level
2. Select **Auto** (fan speed will increase or decrease based on product temperature), **Off** (fan will stay off. Product output will decrease based on product temperature), **Silent** (fan will maintain a constant silent speed), or **On** (fan speed will always be at maximum).



NOTICE: When operating in Fan Mode: Off, the output of the fixture will be reduced and will not reach the same levels as when using other fan modes.



WARNING: When operating in Fan Mode: Off, the fixture will become hotter to the touch than when using other fan modes. Use proper protective equipment to prevent burns. Keep a safe distance from flammable objects.

Back Light

This setting allows for selection of the amount of time the backlight on the Ovation P-56FC's display stays on after the last button is pressed on the control panel.

1. Go to the **Back Light** main level.
2. Select **10S** (10 seconds), **30S** (30 seconds), **2Min** (2 minutes), or **Always On** (remains on).

System Information

This option displays the total number of hours the product has run, the installed software version, and the product's UID.

1. Go to the **Information** main level.
2. Select **Fixture Hours**, **LED Hours**, **Version**, or **UID**.

Factory Reset

This option restores the Ovation P-56FC to factory default settings.

1. Go to the **Reset Factory** main level.
2. Select **No** or **Yes**.

Operation

Error Codes

See the table below for error codes and recommended solutions:

Error Code	Possible Reason	Potential Solution
Temperature shows -40 °C	The thermistor is not welded properly.	Replace the board or weld the thermistor.
	The temperature control wire is not connected or has poor connection.	Check the wire connection.
Temperature shows 125 °C	The thermistor is not welded properly.	Replace the board or weld the thermistor.
	The temperature control connector shortcuted.	Check the temperature control wire connector.
No such file !	USB has poor connection.	Replug the USB.
	USB internal wires have poor connection.	Change the USB.
	There is no upgrade file in the USB.	Check the files in the USB.
Model error !	There is error reading the file contents.	Check if the file content is correct.

5. Maintenance

Product Maintenance

Dust build-up reduces light output performance and can cause overheating. This can lead to reduction of the light source's life and/or mechanical wear. To maintain optimum performance and minimize wear, clean each lighting product at least twice a month. However, be aware that usage and environmental conditions could be contributing factors to increase the cleaning frequency.

To clean the product, follow the instructions below:

1. Unplug the product from power.
2. Wait until the product is at room temperature.
3. Use a vacuum (or dry compressed air) and a soft brush to remove dust collected on the external surface/vents.
4. Clean all transparent surfaces with a mild soap solution, ammonia-free glass cleaner, or isopropyl alcohol.
5. Apply the solution directly to a soft, lint free cotton cloth or a lens cleaning tissue.
6. Softly drag any dirt or grime to the outside of the transparent surface.
7. Gently polish the transparent surfaces until they are free of haze and lint.



Always dry the transparent surfaces carefully after cleaning them.

Technical Specifications

6. Technical Specifications

Dimensions and Weight

Length	Width	Height	Weight
12.48 in (317 mm)	12.83 in (326 mm)	14 in (363 mm)	12.2 lb (5.6 kg)

Note: Dimensions in inches rounded to the nearest hundredth.

Power

Power Supply Type	Range	Voltage Selection
Switching (internal)	100 to 240 VAC, 50/60 Hz	Auto-ranging

Parameter	100 V, 60 Hz	120 V, 60 Hz	208 V, 60 Hz	230 V, 50 Hz	240 V, 50 Hz
Consumption	167 W	161 W	160 W	159 W	158 W
Operating Current	1.68 A	1.36 A	0.80 A	0.75 A	0.73
Power-linking current (products)	12 A (7 products)	12 A (8 products)	12 A (15 products)	12 A (16 products)	12 A (16 products)
Fuse	T3.15 A, 250 V	T3.15 A, 250 V	T3.15 A, 250 V	T3.15 A, 250 V	T3.15 A, 250 V

Power I/O	U.S./Canada	Worldwide
Power input connector	Seetronic Powerkon IP65	Seetronic Powerkon IP65
Power output connector	Seetronic Powerkon IP65	Seetronic Powerkon IP65
Power cord plug	Edison (U.S.)	Local plug

Light Source

Type	Color	Quantity	Power	Current	Lifespan
LED	Red	12	6–8 W	1 A	50,000 hours
	Green	11			
	Blue	11			
	Amber	14			
	Lime green	14			

Photometrics

Parameter	Narrow Lens	Medium Lens	Wide Lens
Beam Angle	13.4°	22.6°	73.8°
Field Angle	28°	42.4°	100.9°
Lumens	7,517	8,187	7,470
Illuminance @ 5 m	2,892	1,237	226

Color Temperature (at full)	Color Temperature (range)	CRI
6247K	2800K–6500K	88.2

Thermal

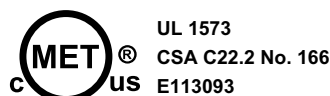
Maximum External Temperature	Cooling System
113 °F (45 °C)	Convection

DMX

I/O Connector	Channel Range
3-pin and 5-pin XLR	1, 3, 5, 7, 10, 12, 13, 16, and HSV

Ordering

Product Name	Item Code	UPC Number
Ovation P-56FC-2	03031500	781462218485



RoHS



Contact Us

General Information	Technical Support
Chauvet World Headquarters	
Address: 3360 Davie Rd., Suite 509 Davie, FL 33314 Voice: (954) 577-4455 Fax: (954) 929-5560 Toll Free: (800) 762-1084	Voice: (844) 393-7575 Fax: (954) 756-8015 Email: chauvetcs@chauvetlighting.com Website: www.chauvetprofessional.com
Chauvet U.K.	
Address: Pod 1 EVO Park Little Oak Drive, Sherwood Park Nottinghamshire, NG15 0EB UK Voice: +44 (0) 1773 511115 Fax: +44 (0) 1773 511110	Email: UKtech@chauvetlighting.eu Website: www.chauvetprofessional.eu
Chauvet Benelux	
Address: Vaartlaan 9 9800 Deinze Belgium Voice: +32 9 388 93 97	Email: BNLtech@chauvetlighting.eu Website: www.chauvetprofessional.eu
Chauvet France	
Address: 3, Rue Ampère 91380 Chilly-Mazarin France Voice: +33 1 78 85 33 59	Email: FRtech@chauvetlighting.fr Website: www.chauvetprofessional.eu
Chauvet Germany	
Address: Bruno-Bürgel-Str. 11 28759 Bremen Germany Voice: +49 421 62 60 20	Email: DEtech@chauvetlighting.de Website: www.chauvetprofessional.eu
Chauvet Mexico	
Address: Av. de las Partidas 34 - 3B (Entrance by Calle 2) Zona Industrial Lerma Lerma, Edo. de México, CP 52000 Voice: +52 (728) 690-2010	Email: servicio@chauvet.com.mx Website: www.chauvetprofessional.mx

Warranty & Returns

For warranty terms and conditions and return information, please visit our website.

For customers in the United States and Mexico: www.chauvetlighting.com/warranty-registration.

For customers in the United Kingdom, Republic of Ireland, Belgium, the Netherlands, Luxembourg, France, and Germany: www.chauvetlighting.eu/warranty-registration.