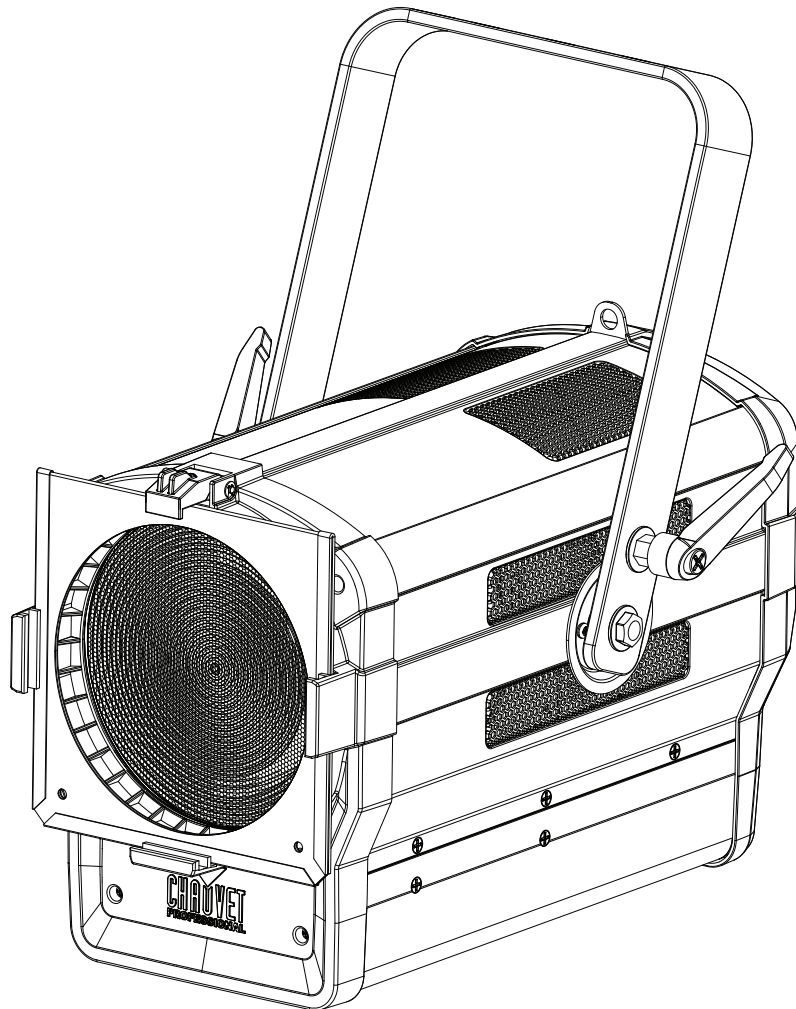


Ovation

F-915FC

Quick Reference Guide

| | |
|------------|----|
| English | EN |
| Español | ES |
| Français | FR |
| Deutsch | DE |
| Nederlands | NL |



About This Guide

The Ovation F-915FC Quick Reference Guide (QRG) has basic product information such as connection, mounting, menu options, and DMX values. Download the User Manual from www.chauvetprofessional.com for more details.

Disclaimer

The information and specifications contained in this QRG are subject to change without notice.

LIMITED WARRANTY

FOR WARRANTY REGISTRATION AND COMPLETE TERMS AND CONDITIONS PLEASE VISIT OUR WEBSITE.

For Customers in the United States and Mexico: www.chauvetlighting.com/warranty-registration.

For Customers in the United Kingdom, Republic of Ireland, Belgium, the Netherlands, Luxembourg, France, and Germany: www.chauvetlighting.eu/warranty-registration/.

Chauvet warrants that this product shall be free from defects in material and workmanship under normal use, for the period specified in and subject to the exclusions and limitations set forth in, the full limited warranty on our website. This warranty extends only to the original purchaser of the product and is not transferable. To exercise rights under this warranty, the customer must provide proof of purchase in the form of an original sales receipt from an authorized dealer that shows the product name and date of purchase. THERE ARE NO OTHER EXPRESS OR IMPLIED WARRANTIES. This warranty gives the customer specific legal rights. The customer may also have other rights that vary from state to state and country to country. This warranty is valid only in the United States, United Kingdom, Republic of Ireland, Belgium, the Netherlands, Luxembourg, France, Germany and Mexico. For warranty terms in other countries, please consult a local distributor.

Safety Notes

- DO NOT open this product. It contains no user-serviceable parts.
- DO NOT look at the light source when the product is on.
- DO NOT operate this product outdoors or in any location where dust, excessive heat, water, or humidity may affect it (IP20).
- DO NOT leave any flammable material within 50 cm of this product while operating or connected to power.
- DO NOT operate this product if the housing, lenses, or cables appear damaged.
- DO NOT connect this product to a dimmer or rheostat.
- CAUTION: This product's housing may be hot when lights are operating.
- CAUTION: When transferring product from extreme temperature environments, (e.g., cold truck to warm humid ballroom) condensation may form on the internal electronics of the product. To avoid causing a failure, allow product to fully acclimate to the surrounding environment before connecting it to power.
- USE a safety cable when mounting this product overhead.
- ONLY connect this product to a grounded and protected circuit.
- ONLY use the hanging/mounting bracket to carry this product.
- Mount this product in a location with adequate ventilation, at least 20 in (50 cm) from adjacent surfaces.
- To eliminate unnecessary wear and improve its lifespan, during periods of non-use completely disconnect the product from power via breaker or by unplugging it.
- In the event of a serious operating problem, stop using immediately.
- The maximum ambient temperature is 113 °F (45 °C). Do not operate this product at higher temperatures.

FCC Compliance

This device complies with Part 15 Part B of the FCC Rules. Operation is subject to the following two conditions:

1. This device may not cause harmful interference, and
2. This device must accept any interference received, including interference that may cause undesired operation.

Any changes or modifications not expressly approved by the party responsible for compliance could void the user's authority to operate the equipment.

Contact

Outside the U.S., U.K., Ireland, Benelux, France, Germany, or Mexico, contact a distributor to request support or return a product. Refer to [Contact Us](#) at the end of this QRG for contact information.

What is Included

- Ovation F-915FC
- Neutrik® powerCON® power cord
- Gel frame holder (7.5 in/191 mm accessories)
- Quick Reference Guide

AC Power

This product has an auto-ranging power supply that can work with an input voltage range of 100–240 VAC, 50/60 Hz.

Power Linking

It is possible to link up to 6 Ovation F-915FC products at 120 VAC, 10 products at 208 V, or 12 products at 230 VAC. Never exceed this number. Power-linking cords can be purchased separately.

AC Plug

| Connection | Wire (U.S.) | Wire (Europe) | Screw Color |
|------------|--------------|---------------|--------------|
| AC Live | Black | Brown | Yellow/Brass |
| AC Neutral | White | Blue | Silver |
| AC Ground | Green/Yellow | Green/Yellow | Green |



To eliminate unnecessary wear and improve its lifespan, during periods of non-use completely disconnect the product from power via breaker or by unplugging it.

Replacing the Fuse

1. Disconnect this product from power.
2. Using a Phillips #2 head screwdriver, unscrew the fuse holder cap from the housing.
3. Remove blown fuse and replace with a good fuse of the same type and rating.
4. Screw the fuse holder cap back in place and reconnect power.

DMX Linking

The Ovation F-915FC will work with a DMX controller using a 3- and 5-pin DMX serial connection. A DMX Primer is available from www.chauvetprofessional.com.

DMX Connection

The Ovation F-915FC uses a 3- and 5-pin DMX data connection for its DMX personalities: **1Ch, 3Ch, 5Ch, 7Ch, 11Ch, 13Ch, 14Ch, 18Ch**, and **HSV**. See the User Manual for information about connecting and configuring the product for DMX operation.

Master/Slave Connection

The Ovation F-915FC uses the DMX data connection for its master/slave mode. See the User Manual for information about how to connect and configure the product for master/slave operation.

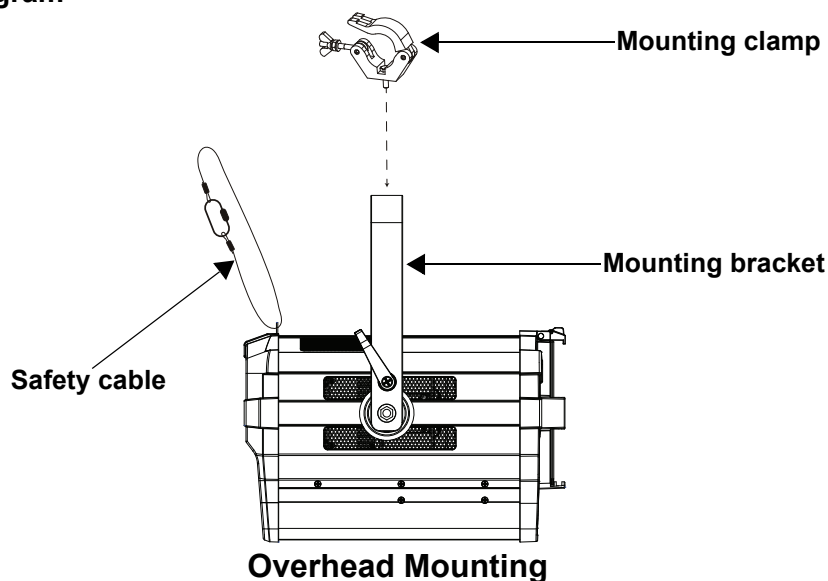
RDM (Remote Device Management)

Remote Device Management, or RDM, is a standard for allowing DMX-enabled devices to communicate bi-directionally along existing DMX cabling. Check with the manufacturer or the DMX controller's User Manual, as not all DMX controllers have this capability. The Ovation F-915FC supports RDM protocol that allows feedback to make changes to menu map options. Download the User Manual from www.chauvetprofessional.com for more details.

Mounting

Before mounting this product, read the [Safety Notes](#). Use at least one mounting point per product. Make sure the mounting clamps can support the weight of the product. For the Chauvet line of mounting clamps, go to: <http://trusst.com/productcategory/truss-clamps/>.

Product Mounting Diagram



Virtual Color Wheel (VCW)

The Ovation F-915FC includes a feature called the Virtual Color Wheel (VCW). This feature is available as a standalone control mode for manual use and as a control channel in select DMX personalities. More than 30 premixed colors, custom blended by Chauvet engineers, are available to call up for easier programming.

The DMX values used to mix these colors are provided below. The overall intensity of the Ovation fixture can be adjusted to more closely replicate familiar industry-standard colors. A chart is available on www.chauvetprofessional.com to compare Chauvet's premixed colors with popular gel colors. This chart is for comparison purposes only and is not an assertion that Chauvet's premixed colors match any of the gel colors listed.

Virtual Color Wheel Chart

| DMX Channel Value | Display Readout | Red Value | Green Value | Blue Value | Amber Value | Lime Value |
|-------------------|-----------------------------|-----------|-------------|------------|-------------|------------|
| 000 ⇄ 005 | -- | 000 | 000 | 000 | 000 | 000 |
| 006 ⇄ 013 | C3050 - Md Yellow | 233 | 163 | 020 | 123 | 255 |
| 014 ⇄ 021 | C3040 - Lt Yellow | 224 | 158 | 047 | 255 | 231 |
| 022 ⇄ 028 | C3240 - Amb Yellow | 180 | 060 | 000 | 245 | 255 |
| 029 ⇄ 035 | C2340 - VLt Amber | 245 | 107 | 081 | 255 | 213 |
| 036 ⇄ 043 | C2040 - Lt Amber | 230 | 130 | 062 | 255 | 155 |
| 044 ⇄ 051 | C2050 - Md Amber | 255 | 000 | 025 | 255 | 194 |
| 052 ⇄ 059 | C2060 - Dk Amber | 255 | 000 | 024 | 255 | 150 |
| 060 ⇄ 067 | C1050 - Lt Red | 255 | 037 | 027 | 030 | 038 |
| 068 ⇄ 075 | C1080 - Md Red | 255 | 004 | 017 | 000 | 000 |
| 076 ⇄ 083 | C1020 - NC Pink | 238 | 135 | 129 | 255 | 255 |
| 084 ⇄ 091 | C1030 - Md Pink | 255 | 131 | 120 | 255 | 195 |
| 092 ⇄ 099 | C1630 - Dk Pink | 255 | 165 | 123 | 255 | 210 |
| 100 ⇄ 107 | C1250 - Md Red Amber | 255 | 000 | 041 | 195 | 055 |
| 108 ⇄ 115 | C1060 - Dk Red Amber | 255 | 000 | 045 | 120 | 030 |
| 116 ⇄ 121 | C1650 - Magenta | 255 | 050 | 115 | 255 | 115 |
| 122 ⇄ 130 | C6170 - Dk Magenta | 255 | 035 | 117 | 000 | 000 |
| 131 ⇄ 138 | C6020 - Lt Lavender | 127 | 122 | 142 | 251 | 255 |
| 139 ⇄ 146 | C5030 - Lt Blue | 000 | 255 | 197 | 100 | 255 |
| 147 ⇄ 154 | C5020 - VLt Blue | 158 | 255 | 189 | 000 | 255 |
| 155 ⇄ 162 | C5430 - Lt Blue 2 | 000 | 255 | 180 | 000 | 243 |
| 163 ⇄ 170 | C5070 - Blue | 043 | 255 | 210 | 043 | 036 |
| 171 ⇄ 178 | C5050 - Md Blue | 000 | 255 | 218 | 000 | 181 |
| 179 ⇄ 186 | C5060 - Dk Blue | 000 | 210 | 206 | 000 | 118 |
| 187 ⇄ 194 | C5690 - Indigo | 065 | 000 | 210 | 040 | 055 |
| 195 ⇄ 202 | C5080 - VDk Blue | 000 | 203 | 230 | 000 | 040 |
| 203 ⇄ 210 | C5081 - VDk Blue2 | 040 | 199 | 240 | 000 | 045 |
| 211 ⇄ 218 | C4370 - Yel Green | 027 | 255 | 028 | 016 | 104 |
| 219 ⇄ 226 | C4070 - Green | 049 | 255 | 055 | 120 | 090 |
| 227 ⇄ 234 | C4550 - Turquoise | 060 | 230 | 109 | 000 | 245 |
| 235 ⇄ 242 | C4560 - Aqua | 020 | 240 | 126 | 036 | 255 |
| 243 ⇄ 250 | C4570 - Blue Green | 000 | 255 | 079 | 030 | 053 |
| 251 ⇄ 255 | -- | 000 | 000 | 000 | 000 | 000 |



Note: The colors above are simulated renditions of the color output produced compared with other similar incandescent products. Chauvet makes no guarantee of the color output accuracy.

Color Temperature Chart

| DMX Channel Value | Display Readout | Red Value | Green Value | Blue Value | Amber Value | Lime Value |
|-------------------|-----------------|-----------|-------------|------------|-------------|------------|
| 000 ⇄ 005 | -- | 000 | 000 | 000 | 000 | 000 |
| 006 ⇄ 025 | 2800K | 237 | 120 | 036 | 255 | 255 |
| 026 ⇄ 050 | 3000K | 220 | 128 | 050 | 255 | 255 |
| 051 ⇄ 075 | 3200K | 176 | 128 | 057 | 255 | 255 |
| 076 ⇄ 100 | 3500K | 154 | 128 | 080 | 255 | 255 |
| 101 ⇄ 125 | 4000K | 128 | 128 | 112 | 255 | 255 |
| 126 ⇄ 150 | 4500K | 108 | 128 | 133 | 255 | 255 |
| 151 ⇄ 175 | 5000K | 097 | 128 | 152 | 255 | 255 |
| 176 ⇄ 200 | 5600K | 087 | 128 | 170 | 255 | 255 |
| 201 ⇄ 225 | 6000K | 075 | 128 | 177 | 255 | 255 |
| 226 ⇄ 250 | 6500K | 066 | 128 | 187 | 255 | 255 |
| 251 ⇄ 255 | -- | 000 | 000 | 000 | 000 | 000 |



Note: The color temperatures above are simulated renditions of the color output produced compared with a tungsten lamp at the specified color temperature. Chauvet makes no guarantee of the color output accuracy.

Control Panel Description

| Button | Function |
|---------------------|--|
| <MENU> | Exits from the current menu or function |
| <ENTER> | Enables the currently displayed menu or sets the currently selected value into the selected function |
| <UP> | Navigates upwards through the menu list or increases the numeric value when in a function |
| <DOWN> | Navigates downwards through the menu list or decreases the numeric value when in a function |
| <Color Temperature> | Push twice, then turn to select the color temperature |
| <Dimmer> | Push twice, then turn to increase or decrease the dimmer |
| <Zoom> | Push twice, then turn to increase or decrease the zoom |

Menu Map

| Main Level | Programming Levels | | Description |
|-------------|--------------------|----------|---|
| DMX Address | Address | 001–512* | Selects DMX address (*highest channel restricted to personality chosen) |
| | | 1Ch | Virtual Color Wheel Color Temperature Manual Color Mixer 1-channel: dimmer |
| DMX Channel | 3Ch | | 3-channel: dimmer, virtual color wheel, color temperature |
| | 5Ch | | 5-channel: RGBAL |
| | 7Ch | | 7-channel: dimmer, RGBAL, strobe |
| | 11Ch | | 11-channel: 16-bit dimmer, RGBAL, virtual color wheel, color temperature, strobe |
| | 13Ch | | 14-channel: 16-bit dimmer, 16-bit RGBAL, strobe |
| | 14Ch | | 14-channel: dimmer, RGBAL, strobe, virtual color wheel, color temperature, auto show, auto speed, control, zoom, motor reset, red shift |
| | 18Ch | | 18-channel: 16-bit RGBAL and dimmer, strobe, virtual color wheel, color temperature, zoom, motor reset, control |
| | HSV | | 3-channel: hue, saturation, value |

| Main Level | Programming Levels | | Description | |
|---------------------|---------------------|---|--|---|
| Virtual Color Wheel | Virtual Color Wheel | C3050 - Md Yellow C3040 - Lt Yellow C3240 - Amb Yellow C2340 - VLt Amber C2040 - Lt Amber C2050 - Md Amber C2060 - Dk Amber C1050 - Lt Red C1080 - Md Red C1020 - NC Pink C1030 - Md Pink C1630 - Dk Pink C1250 - Md Red Amber C1060 - Dk Red Amber C1650 - Magenta C6170 - Dk Magenta C6020 - Lt Lavender C5030 - Lt Blue C5020 - VLt Blue C5430 - Lt Blue 2 C5070 - Blue C5050 - Md Blue C5060 - Dk Blue C5690 - Indigo C5080 - Vdk Blue C5081 - Vdk Blue 2 C4370 - Yel Green C4070 - Green C4550 - Turquoise C4560 - Aqua C4570 - Blue Green | Dimmer 0–255 | Virtual Color Wheel simulates the output of each gel color. Refer to the Virtual Color Wheel Chart for specific values. |
| | Color Temperature | 2800K 3000K 3200K 3500K 4000K 4500K 5000K 5600K 6000K 6500K | Dimmer 0–255 | Preset white color temperatures. Emulates a tungsten lamp at the specified color temperature. Refer to the Color Temperature Chart for specific values. |
| | Manual Color Mixer | Red Green Blue Amber Lime | 0–255 | Combines red, green, blue, amber, and lime to make a custom color (0–100%) |
| Auto Show | Auto 1–5 | 1–100 | Selects automatic programs and auto program speed | |
| Zoom | 0–255 | | Controls zoom | |
| Red Shift | On | | Mimics halogen lamp dimming | |
| | Off | | | |
| Master/Slave | Master | | Receives DMX signal from the DMX controller (master) | |
| | Slave | | Receives DMX signal from the master unit | |

| Main Level | Programming Levels | | Description |
|---------------------|--------------------|------------------------------|--|
| Dimmer Curve | S-Curve | | Sets the dimmer curve |
| | Linear | | |
| Dimmer Mode | Square | | Linear dimmer |
| | Inverse Square | | |
| White Balance | Off | | Uses factory default white setting |
| | Manual | Dimmer 1–3 | |
| 125–255 | | Off | Uses factory default white setting |
| | | Red | Sets red LED maximum value |
| | | Green | Sets green LED maximum value |
| | | Blue | Sets blue LED maximum value |
| | Amber | Sets amber LED maximum value | |
| | Lime | Sets lime LED maximum value | |
| LED Frequency | 600Hz | | Sets the PWM output frequency |
| | 1200Hz | | |
| Fan Mode | 2000Hz | | Sets the fan to auto mode |
| | 4000Hz | | |
| Back Light | 6000Hz | | Sets the fan to always on |
| | 25KHz | | |
| Information | Auto | | Sets the fan to always off |
| | On | | Sets the fan to silent |
| Reset Zoom w/ Power | Off | | Turns off display backlight after 10 seconds of inactivity |
| | Silent | | |
| Factory Reset | 10S | | Turns off display backlight after 30 seconds of inactivity |
| | 30S | | |
| Information | 2Min | | Turns off display backlight after 2 minutes of inactivity |
| | Always On | | |
| Factory Reset | No | | Display backlight always on |
| | Yes | | |
| Information | Fixture Hours | ----_H | Shows total hours the product has been powered on |
| | LED Hours | ----_H | Shows total LED hours |
| Information | Version | V_._ | Shows current firmware version |
| | UID | ----- | Shows product UID |
| Factory Reset | No | | Keeps zoom in last position when powered on |
| | Yes | | |
| Factory Reset | No | | Resets the zoom to home position when powered on |
| | Yes | | |



WARNING: When operating in Fan Mode: Off, the fixture will become hotter to the touch than when using other fan modes. Use proper protective equipment to prevent burns. Keep a safe distance from flammable objects.



NOTICE: When operating in Fan Mode: Off, output of the fixture will be reduced and will not reach the same levels as when using other fan modes.

EN

DMX Values

18Ch

| Channel | Function | Value | Percent/Setting |
|---------|--|---|--|
| 1 | Dimmer | 000 ⇔ 255 | 0–100% |
| 2 | Dimmer fine | 000 ⇔ 255 | 0–100% |
| 3 | Red | 000 ⇔ 255 | 0–100% |
| 4 | Red fine | 000 ⇔ 255 | 0–100% |
| 5 | Green | 000 ⇔ 255 | 0–100% |
| 6 | Green fine | 000 ⇔ 255 | 0–100% |
| 7 | Blue | 000 ⇔ 255 | 0–100% |
| 8 | Blue fine | 000 ⇔ 255 | 0–100% |
| 9 | Amber | 000 ⇔ 255 | 0–100% |
| 10 | Amber fine | 000 ⇔ 255 | 0–100% |
| 11 | Lime | 000 ⇔ 255 | 0–100% |
| 12 | Lime fine | 000 ⇔ 255 | 0–100% |
| 13 | Strobe | 000 ⇔ 010 011 ⇔ 255 | No function Strobe, slow to fast |
| 14 | Virtual color wheel | 000 ⇔ 255 | Refer to Virtual Color Wheel Chart |
| 15 | Color temperature | 000 ⇔ 255 | Refer to Color Temperature Chart |
| 16 | Zoom | 000 ⇔ 255 | Narrow to wide |
| 17 | Motor reset | 000 ⇔ 200 201 ⇔ 220 221 ⇔ 255 | No function Motor reset No function |
| 18 | Control (Hold for 3 seconds, then release) | 000 ⇔ 007 008 ⇔ 015 016 ⇔ 023 024 ⇔ 031 032 ⇔ 039 040 ⇔ 047 048 ⇔ 055 056 ⇔ 063 064 ⇔ 071 072 ⇔ 079 080 ⇔ 087 088 ⇔ 095 096 ⇔ 103 104 ⇔ 111 112 ⇔ 119 120 ⇔ 127 128 ⇔ 255 | No function Dimmer reset Red shift on Red shift off Dimmer: S-Curve Dimmer: linear Dimmer: square Dimmer: inverse square Dimmer speed mode off Dimmer speed mode 1 Dimmer speed mode 2 Dimmer speed mode 3 Fan auto Fan on Fan off Fan silent No function (reserved) |

14Ch

| Channel | Function | Value | Percent/Setting |
|---------|---------------------|------------------------|--|
| 1 | Dimmer | 000 ⇔ 255 | 0–100% |
| 2 | Red | 000 ⇔ 255 | 0–100% |
| 3 | Green | 000 ⇔ 255 | 0–100% |
| 4 | Blue | 000 ⇔ 255 | 0–100% |
| 5 | Amber | 000 ⇔ 255 | 0–100% |
| 6 | Lime | 000 ⇔ 255 | 0–100% |
| 7 | Strobe | 000 ⇔ 010 011 ⇔ 255 | No function Strobe, slow to fast |
| 8 | Virtual color wheel | 000 ⇔ 255 | Refer to Virtual Color Wheel Chart |
| 9 | Color temperature | 000 ⇔ 255 | Refer to Color Temperature Chart |

| Channel | Function | Value | Percent/Setting |
|-----------|--|-----------|--------------------------|
| 10 | Auto programs | 000 ⇔ 010 | No function |
| | | 011 ⇔ 060 | Auto program 1 |
| | | 061 ⇔ 110 | Auto program 2 |
| | | 111 ⇔ 160 | Auto program 3 |
| | | 161 ⇔ 210 | Auto program 4 |
| | | 211 ⇔ 255 | Auto program 5 |
| 11 | Auto speed | 000 ⇔ 255 | Auto speed, slow to fast |
| 12 | Control (Hold for 3 seconds, then release) | 000 ⇔ 007 | No function |
| | | 008 ⇔ 015 | Dimmer reset |
| | | 016 ⇔ 023 | Red shift on |
| | | 024 ⇔ 031 | Red shift off |
| | | 032 ⇔ 039 | Dimmer: S-Curve |
| | | 040 ⇔ 047 | Dimmer: linear |
| | | 048 ⇔ 055 | Dimmer: square |
| | | 056 ⇔ 063 | Dimmer: inverse square |
| | | 064 ⇔ 071 | Dimmer speed mode off |
| | | 072 ⇔ 079 | Dimmer speed mode 1 |
| | | 080 ⇔ 087 | Dimmer speed mode 2 |
| | | 088 ⇔ 095 | Dimmer speed mode 3 |
| | | 096 ⇔ 103 | Fan auto |
| | | 104 ⇔ 111 | Fan on |
| | | 112 ⇔ 119 | Fan off |
| 120 ⇔ 127 | Fan silent | | |
| 128 ⇔ 255 | No function (reserved) | | |
| 13 | Zoom | 000 ⇔ 255 | Narrow to wide |
| 14 | Motor reset | 000 ⇔ 200 | No function |
| | | 201 ⇔ 220 | Motor reset |
| | | 221 ⇔ 255 | No function |

13Ch

| Channel | Function | Value | Percent/Setting |
|---------|-------------|-----------|----------------------|
| 1 | Dimmer | 000 ⇔ 255 | 0–100% |
| 2 | Dimmer fine | 000 ⇔ 255 | 0–100% |
| 3 | Red | 000 ⇔ 255 | 0–100% |
| 4 | Red fine | 000 ⇔ 255 | 0–100% |
| 5 | Green | 000 ⇔ 255 | 0–100% |
| 6 | Green fine | 000 ⇔ 255 | 0–100% |
| 7 | Blue | 000 ⇔ 255 | 0–100% |
| 8 | Blue fine | 000 ⇔ 255 | 0–100% |
| 9 | Amber | 000 ⇔ 255 | 0–100% |
| 10 | Amber fine | 000 ⇔ 255 | 0–100% |
| 11 | Lime | 000 ⇔ 255 | 0–100% |
| 12 | Lime fine | 000 ⇔ 255 | 0–100% |
| 13 | Strobe | 000 ⇔ 010 | No function |
| | | 011 ⇔ 255 | Strobe, slow to fast |

EN

11Ch

| Channel | Function | Value | Percent/Setting |
|---------|---------------------|------------------------|--|
| 1 | Dimmer | 000 ⇄ 255 | 0–100% |
| 2 | Dimmer fine | 000 ⇄ 255 | 0–100% |
| 3 | Red | 000 ⇄ 255 | 0–100% |
| 4 | Green | 000 ⇄ 255 | 0–100% |
| 5 | Blue | 000 ⇄ 255 | 0–100% |
| 6 | Amber | 000 ⇄ 255 | 0–100% |
| 7 | Lime | 000 ⇄ 255 | 0–100% |
| 8 | Strobe | 000 ⇄ 010 011 ⇄ 255 | No function Strobe, slow to fast |
| 9 | Virtual color wheel | 000 ⇄ 255 | Refer to Virtual Color Wheel Chart |
| 10 | Color temperature | 000 ⇄ 255 | Refer to Color Temperature Chart |
| 11 | Zoom | 000 ⇄ 255 | Narrow to wide |

7Ch

| Channel | Function | Value | Percent/Setting |
|---------|----------|------------------------|-------------------------------------|
| 1 | Dimmer | 000 ⇄ 255 | 0–100% |
| 2 | Red | 000 ⇄ 255 | 0–100% |
| 3 | Green | 000 ⇄ 255 | 0–100% |
| 4 | Blue | 000 ⇄ 255 | 0–100% |
| 5 | Amber | 000 ⇄ 255 | 0–100% |
| 6 | Lime | 000 ⇄ 255 | 0–100% |
| 7 | Strobe | 000 ⇄ 010 011 ⇄ 255 | No function Strobe, slow to fast |

5Ch

| Channel | Function | Value | Percent/Setting |
|---------|----------|-----------|-----------------|
| 1 | Red | 000 ⇄ 255 | 0–100% |
| 2 | Green | 000 ⇄ 255 | 0–100% |
| 3 | Blue | 000 ⇄ 255 | 0–100% |
| 4 | Amber | 000 ⇄ 255 | 0–100% |
| 5 | Lime | 000 ⇄ 255 | 0–100% |

3Ch

| Channel | Function | Value | Percent/Setting |
|---------|---------------------|-----------|--|
| 1 | Dimmer | 000 ⇄ 255 | 0–100% |
| 2 | Virtual color wheel | 000 ⇄ 255 | Refer to Virtual Color Wheel Chart |
| 3 | Color temperature | 000 ⇄ 255 | Refer to Color Temperature Chart |

1Ch

| Channel | Function | Value | Percent/Setting |
|---------|----------|-----------|---------------------------------|
| 1 | Dimmer | 000 ⇄ 255 | 0–100% (color set through menu) |

HSV

| Channel | Function | Value | Percent/Setting |
|---------|------------|-----------|-----------------|
| 1 | Hue | 000 ⇄ 255 | 0–100% |
| 2 | Saturation | 000 ⇄ 255 | 0–100% |
| 3 | Value | 000 ⇄ 255 | 0–100% |

Acerca de Esta Guía

La Guía de Referencia Rápida (GRR) del Ovation F-915FC contiene información básica sobre el producto, como montaje, opciones de menú y valores DMX. Descargue el Manual de Usuario de www.chauvetprofessional.com para información más detallada.

Exención de Responsabilidad

La información y especificaciones contenidas en esta GRR están sujetas a cambio sin previo aviso.

GARANTÍA LIMITADA

PARA VER EL REGISTRO DE GARANTÍA Y LOS TÉRMINOS Y CONDICIONES COMPLETOS, VISITE NUESTRO SITIO WEB.

Para clientes en los Estados Unidos y México: www.chauvetlighting.com/warranty-registration.

Para clientes en Reino Unido, República de Irlanda, Bélgica, Países Bajos, Luxemburgo, Francia y Alemania: www.chauvetlighting.eu/warranty-registration/.

Chauvet garantiza que este producto estará libre de defectos de material y mano de obra en condiciones de uso normales, durante el periodo especificado, sujeto siempre a las exclusiones y limitaciones establecidas en la garantía limitada completa de nuestro sitio web. Esta garantía se concede únicamente al comprador original del producto y no es transferible. Para ejercer los derechos que otorga esta garantía, usted debe proporcionar una prueba de compra en forma de un recibo de compra original, expedido por un distribuidor autorizado, donde figure el nombre del producto y la fecha de compra. NO EXISTEN OTRAS GARANTÍAS EXPRESAS NI IMPLÍCITAS. Esta garantía le otorga derechos legales específicos. Es posible que a usted le asistan otros derechos, que variarán dependiendo del estado o del país. Esta garantía solamente es válida en los Estados Unidos, Reino Unido, República de Irlanda, Bélgica, Países Bajos, Luxemburgo, Francia, Alemania y México. Para conocer los términos de garantía en otros países, consulte a su distribuidor local.

Notas de Seguridad

- NO abra este producto. No contiene piezas reparables por el usuario.
- NO mire a la fuente de luz cuando el producto esté encendido.
- NO ponga en funcionamiento este producto en el exterior o en cualquier ubicación en la que el polvo, calor excesivo, agua o humedad puedan afectarlo (IP20).
- NO deje ningún material inflamable a menos de 50 cm de este producto mientras esté funcionando o conectado a la alimentación.
- NO ponga en funcionamiento este producto si sospecha que la carcasa, lentes o cables están dañados.
- NO conecte este producto a un atenuador o reostato.
- CUIDADO: La carcasa de este producto está caliente cuando las luces están en funcionamiento.
- CUIDADO: Cuando transfiera el producto desde ambientes con temperatura extrema (p. ej., del remolque frío de un camión a una sala de baile con calor y humedad), puede formarse condensación en la electrónica interna del producto. Para evitar que se produzca una avería, deje que el producto se aclimate completamente al ambiente antes de conectar la alimentación.
- USE un cable de seguridad cuando monte este producto en lo alto.
- Conecte este producto SOLO a un circuito con toma de tierra y protegido.
- Use SOLAMENTE los soportes de colgar/montar para mover este producto.
- Monte este producto en una ubicación con ventilación adecuada, al menos a 20" (50 cm) de superficies adyacentes.
- Para evitar un desgaste innecesario y alargar su vida útil, desconecte complementemente el producto de la alimentación, mediante el interruptor o desenchufándolo, durante los periodos en los que no se use.
- En caso de un problema grave de funcionamiento, deje de usarlo inmediatamente.
- La máxima temperatura ambiente es de 113 °F (45 °C). No haga funcionar este producto a temperaturas más altas.

Cumplimiento de la FCC

Este dispositivo cumple la parte 15, parte B de las normas FCC. El funcionamiento está supeditado al cumplimiento de estas dos condiciones:

1. Este dispositivo no puede causar interferencias perjudiciales; y
2. Este dispositivo debe aceptar cualquier interferencia recibida, incluyendo las interferencias que puedan causar un funcionamiento no deseado.

Cualquier cambio o modificación que no haya sido expresamente autorizado por la parte responsable de conformidad puede anular la potestad del usuario para hacer funcionar el equipo.

Contacto

Fuera de EE. UU., Reino Unido, Irlanda, Benelux, Francia, Alemania o México, póngase en contacto con su distribuidor para solicitar asistencia o devolver el producto. Visite [Contact Us](#) para información de contacto.

Qué va Incluido

- Ovation F-915FC
- Cable de alimentación Neutrik® powerCON®
- Marco de gel (Accesorios de 191 mm/7,5 in)
- Guía de Referencia Rápida

Corriente Alterna

Este producto tiene una fuente de alimentación con detección automática que puede funcionar con un rango de tensión de entrada de 100 a 240 VCA, 50/60 Hz.

Alimentación en Cadena

Puede enlazar hasta 6 productos Ovation F-915FC a 120 V, 10 productos a 208 V o 12 productos a 230 V. Nunca sobrepase este número. Los cables de alimentación en cadena se pueden adquirir por separado.

Enchufe CA

| Conexión | Cable (EE.UU.) | Cable (Europa) | Color del tornillo |
|------------|----------------|----------------|--------------------|
| CA Cargado | Negro | Marrón | Amarillo/Latón |
| CA Neutro | Blanco | Azul | Plata |
| CA Tierra | Verde/Amarillo | Verde/Amarillo | Verde |



Para evitar un desgaste innecesario y alargar su vida útil, desconecte completamente el producto de la alimentación, mediante el interruptor o desenchufándolo, durante los periodos en los que no se use.

Sustitución del Fusible

1. Desconecte el producto de la toma de corriente.
2. Con un destornillador de estrella N°2, desatornille la tapa del portafusibles.
3. Quite el fusible fundido del portafusibles y sustitúyalo con otro del mismo tipo y categoría.
4. Vuelva a atornillar la tapa del portafusibles en su sitio y conecte de nuevo la alimentación.

Enlace DMX

El Ovation F-915FC funcionará con un controlador DMX usando una conexión serial DMX de 3- y 5-pines. Hay un manual DMX disponible en www.chauvetprofessional.com.

Conexión DMX

El Ovation F-915FC usa una conexión de datos DMX de 3 y 5 pines para sus personalidades: **1Ch, 3Ch, 5Ch, 7Ch, 11Ch, 13Ch, 14Ch, 18Ch** y **HSV**. Vea el Manual de Usuario para conectar y configurar para funcionamiento DMX.

Conexión Maestro/Esclavo

El Ovation F-915FC usa la conexión de datos DMX para su modo Maestro/Esclavo. Vea el Manual de Usuario para conectar y configurar para funcionamiento Maestro/Esclavo.

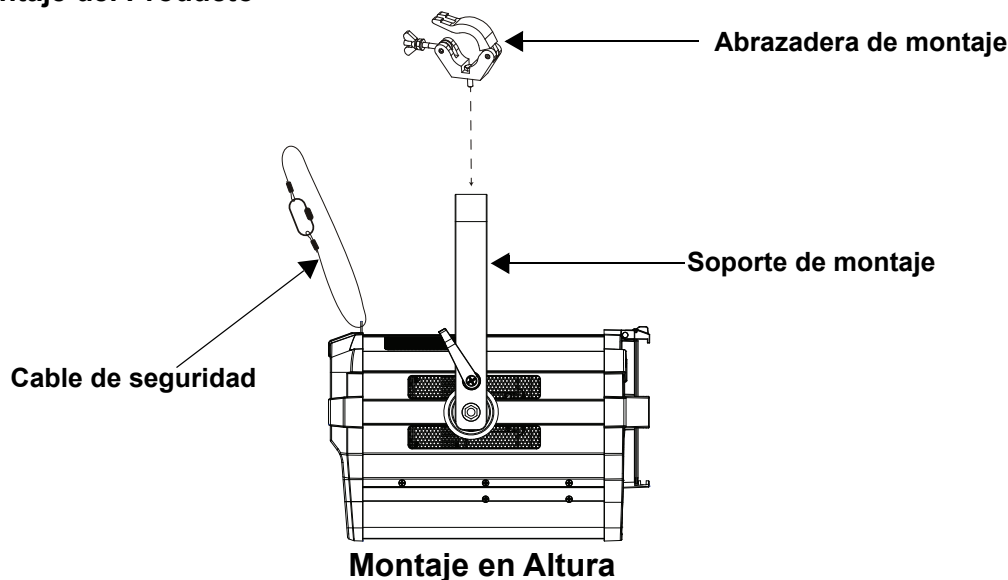
RDM (gestión remota del dispositivo)

Remote Device Management (gestión remota del dispositivo) o RDM, es un estándar que permite a los dispositivos con capacidad DMX una comunicación bidireccional por un cableado DMX existente. El Ovation F-915FC admite protocolo RDM, que posibilita información para supervisar cambiar las opciones del mapa de menú. Descargue el manual de usuario de www.chauvetprofessional.com para una información más detallada.

Montaje

Antes de montar este producto, lea las [Notas de Seguridad](#). Asegúrese de que las abrazaderas de montaje son capaces de soportar el peso del producto. Para nuestra línea Chauvet de abrazaderas de montaje, visite: <http://trusst.com/productcategory/truss-clamps/>.

Diagrama de Montaje del Producto



Rueda de Color Virtual (VCW)

El Ovation F-915FC incluye una función de rueda de color virtual llamada Virtual Color Wheel (VCW). Esta función está disponible como modo de control independiente para uso manual y también como canal de control en algunas personalidades DMX del dispositivo. Más de 30 colores premezclados, elaborados por nuestros ingenieros, están disponibles para facilitarle la programación.

Los valores DMX utilizados para mezclar estos colores se indican más abajo. Puede ajustar la intensidad general del dispositivo Ovation para reproducir más fielmente los colores a los que esté habituado. Hay un gráfico a su disposición en nuestro sitio web www.chauvetprofessional.com para comparar nuestros colores premezclados con los colores de gel más populares. Este gráfico sirve solamente para comparar y no implica que nuestros colores premezclados coincidan exactamente con los colores de gel listados.

Tabla de colores VCW

| Valor del Canal DMX | Lectura en Pantalla | Valor Rojo | Valor Verde | Valor Azul | Valor Ámbar | Valor Limón |
|---------------------|-----------------------------|------------|-------------|------------|-------------|-------------|
| 000 ⇔ 005 | -- | 000 | 000 | 000 | 000 | 000 |
| 006 ⇔ 013 | C3050 - Md Yellow | 233 | 163 | 020 | 123 | 255 |
| 014 ⇔ 021 | C3040 - Lt Yellow | 224 | 158 | 047 | 255 | 231 |
| 022 ⇔ 028 | C3240 - Amb Yellow | 180 | 060 | 000 | 245 | 255 |
| 029 ⇔ 035 | C2340 - V Lt Amber | 245 | 107 | 081 | 255 | 213 |
| 036 ⇔ 043 | C2040 - Lt Amber | 230 | 130 | 062 | 255 | 155 |
| 044 ⇔ 051 | C2050 - Md Amber | 255 | 000 | 025 | 255 | 194 |
| 052 ⇔ 059 | C2060 - Dk Amber | 255 | 000 | 024 | 255 | 150 |
| 060 ⇔ 067 | C1050 - Lt Red | 255 | 037 | 027 | 030 | 038 |
| 068 ⇔ 075 | C1080 - Md Red | 255 | 004 | 017 | 000 | 000 |
| 076 ⇔ 083 | C1020 - NC Pink | 238 | 135 | 129 | 255 | 255 |
| 084 ⇔ 091 | C1030 - Md Pink | 255 | 131 | 120 | 255 | 195 |
| 092 ⇔ 099 | C1630 - Dk Pink | 255 | 165 | 123 | 255 | 210 |
| 100 ⇔ 107 | C1250 - Md Red Amber | 255 | 000 | 041 | 195 | 055 |
| 108 ⇔ 115 | C1060 - Dk Red Amber | 255 | 000 | 045 | 120 | 030 |
| 116 ⇔ 121 | C1650 - Magenta | 255 | 050 | 115 | 255 | 115 |
| 122 ⇔ 130 | C6170 - Dk Magenta | 255 | 035 | 117 | 000 | 000 |
| 131 ⇔ 138 | C6020 - Lt Lavender | 127 | 122 | 142 | 251 | 255 |
| 139 ⇔ 146 | C5030 - Lt Blue | 000 | 255 | 197 | 100 | 255 |
| 147 ⇔ 154 | C5020 - V Lt Blue | 158 | 255 | 189 | 000 | 255 |
| 155 ⇔ 162 | C5430 - Lt Blue 2 | 000 | 255 | 180 | 000 | 243 |
| 163 ⇔ 170 | C5070 - Blue | 043 | 255 | 210 | 043 | 036 |
| 171 ⇔ 178 | C5050 - Md Blue | 000 | 255 | 218 | 000 | 181 |
| 179 ⇔ 186 | C5060 - Dk Blue | 000 | 210 | 206 | 000 | 118 |
| 187 ⇔ 194 | C5690 - Indigo | 065 | 000 | 210 | 040 | 055 |
| 195 ⇔ 202 | C5080 - VDk Blue | 000 | 203 | 230 | 000 | 040 |
| 203 ⇔ 210 | C5081 - VDk Blue2 | 040 | 199 | 240 | 000 | 045 |
| 211 ⇔ 218 | C4370 - Yel Green | 027 | 255 | 028 | 016 | 104 |
| 219 ⇔ 226 | C4070 - Green | 049 | 255 | 055 | 120 | 090 |
| 227 ⇔ 234 | C4550 - Turquoise | 060 | 230 | 109 | 000 | 245 |
| 235 ⇔ 242 | C4560 - Aqua | 020 | 240 | 126 | 036 | 255 |
| 243 ⇔ 250 | C4570 - Blue Green | 000 | 255 | 079 | 030 | 053 |
| 251 ⇔ 255 | -- | 000 | 000 | 000 | 000 | 000 |



Nota: Los colores listados son interpretaciones simuladas de la emisión de color generada en comparación con otros productos incandescentes similares. Chauvet no garantiza la exactitud del color emitido.

Gráfico de temperaturas de color

| Valor del Canal DMX | Lectura en Pantalla | Valor Rojo | Valor Verde | Valor Azul | Valor Ámbar | Valor Limón |
|---------------------|---------------------|------------|-------------|------------|-------------|-------------|
| 000 ⇔ 005 | -- | 000 | 000 | 000 | 000 | 000 |
| 006 ⇔ 025 | 2800K | 237 | 120 | 036 | 255 | 255 |
| 026 ⇔ 050 | 3000K | 220 | 128 | 050 | 255 | 255 |
| 051 ⇔ 075 | 3200K | 176 | 128 | 057 | 255 | 255 |
| 076 ⇔ 100 | 3500K | 154 | 128 | 080 | 255 | 255 |
| 101 ⇔ 125 | 4000K | 128 | 128 | 112 | 255 | 255 |
| 126 ⇔ 150 | 4500K | 108 | 128 | 133 | 255 | 255 |
| 151 ⇔ 175 | 5000K | 097 | 128 | 152 | 255 | 255 |
| 176 ⇔ 200 | 5600K | 087 | 128 | 170 | 255 | 255 |
| 201 ⇔ 225 | 6000K | 075 | 128 | 177 | 255 | 255 |
| 226 ⇔ 250 | 6500K | 066 | 128 | 187 | 255 | 255 |
| 251 ⇔ 255 | -- | 000 | 000 | 000 | 000 | 000 |



Nota: Las temperaturas de color que aparecen arriba son interpretaciones simuladas de la emisión de color producida cuando se compara con una lámpara de tungsteno a la temperatura de color especificada. Chauvet no garantiza la exactitud del color emitido.

Descripción del Panel de Control

| Botón | Función |
|---------------------|--|
| <MENU> | Salir del menú o función actual |
| <ENTER> | Habilita el menú actualmente en pantalla o configura el valor seleccionado actualmente dentro de la función seleccionada |
| <UP> | Navega hacia arriba por la lista de menú o aumenta el valor numérico cuando está en una función |
| <DOWN> | Navega hacia abajo por la lista de menú o disminuye el valor numérico cuando está en una función |
| <Color Temperature> | Empuje y después gire para seleccionar la temperatura de color |
| <Dimmer> | Empuje y después gire para aumentar o reducir el atenuador |
| <Zoom> | Empuje y después gire para aumentar o reducir el zoom |

Mapa de Menú

| Nivel Principal | Niveles de Programación | | Descripción |
|-----------------|-------------------------|---|--|
| DMX Address | Address | 001–512* | Selecciona la dirección de inicio (*canal más alto restringido a la elección de personalidad) |
| DMX Channel | 1Ch | Virtual Color Wheel | 1 canal: atenuador |
| | | Color Temperature | |
| | | Manual Color Mixer | |
| | | 3Ch | 3 canales: atenuador, VCW, temperatura de color |
| | | 5Ch | 5 canales: control RVAAL |
| | | 7Ch | 7 canales: control RVAAL, atenuador, estroboscopio |
| | | 11Ch | 11 canales: control RVAAL, atenuador, fino atenuador, estroboscopio, VCW, temperatura de color |
| | | 13Ch | 13 canales: 16-bit control RVAAL y atenuador, estroboscopio |
| | 14Ch | 14 canales: atenuador, RVAAL, estroboscopio, VCW, temperatura de color, programas automática, velocidad automática, control, zoom, reinicio del motor | |
| | 18Ch | 18 canales: 16-bit control RVAAL, atenuador, fino atenuador, estroboscopio, VCW, temperatura de color, zoom, reinicio del motor, control | |
| | HSV | 3 canales: tono, saturación, valor | |

| Nivel Principal | Niveles de Programación | | Descripción | |
|---------------------|-------------------------|---|---|--|
| Virtual Color Wheel | Virtual Color Wheel | C3050 - Md Yellow C3040 - Lt Yellow C3240 - Amb Yellow C2340 - VLt Amber C2040 - Lt Amber C2050 - Md Amber C2060 - Dk Amber C1050 - Lt Red C1080 - Md Red C1020 - NC Pink C1030 - Md Pink C1630 - Dk Pink C1250 - Md Red Amber C1060 - Dk Red Amber C1650 - Magenta C6170 - Dk Magenta C6020 - Lt Lavender C5030 - Lt Blue C5020 - VLt Blue C5430 - Lt Blue 2 C5070 - Blue C5050 - Md Blue C5060 - Dk Blue C5690 - Indigo C5080 - VDk Blue C5081 - VDk Blue 2 C4370 - Yel Green C4070 - Green C4550 - Turquoise C4560 - Aqua C4570 - Blue Green | Dimmer 0–255 | Rueda de Color Virtual simula la emisión de cada gel de color. Consulte la sección Tabla de colores VCW para ver los valores específicos. |
| | Color Temperature | 2800K 3000K 3200K 3500K 4000K 4500K 5000K 5600K 6000K 6500K | Dimmer 0–255 | Temperaturas de color blanco. Emula una lámpara de tungsteno a la temperatura de color especificada. Consulte el apartado Gráfico de temperaturas de color para ver valores concretos. |
| | Manual Color Mixer | Red Green Blue Amber Lime | 0–255 | Combina rojo, verde, azul, ámbar y lime para generar un color personalizado (0–100%) |
| Auto Show | Auto 1–5 | 1–100 | Selecciona programas automáticos y velocidad de programas automáticos | |
| Zoom | 0–255 | | Controla el zoom | |
| Red Shift | On Off | | Imita la atenuación de una lámpara halógena | |
| Master/ Slave | Master | | Recibe señales DMX del controlador DMX (maestro) | |
| | Slave | | Recibe señales del maestro | |

| Nivel Principal | Niveles de Programación | | Descripción | |
|---------------------|--|---------------------------------------|---|--|
| Dimmer Curve | S-Curve Linear Square Inverse Square | | Configura la curva del atenuador | |
| | Off | | | |
| Dimmer Mode | Dimmer 1–3 | | Atenuador lineal | |
| | Off | | Curvas de atenuador, rápido (Dimmer 1) a lento (Dimmer 3) | |
| White Balance | Manual | 125–255 | Utiliza la configuración de blanco predeterminada de fábrica | |
| | | | Red | Establece el valor máximo de LED rojo |
| | | | Green | Establece el valor máximo de LED verde |
| | | | Blue | Establece el valor máximo de LED azul |
| | | | Amber | Establece el valor máximo de LED ámbar |
| | Lime | Establece el valor máximo de LED lime | | |
| LED Frequency | 600Hz 1200Hz 2000Hz 4000Hz 6000Hz 25KHz | | Selecciona la frecuencia de emisión PWM | |
| | Auto | | | |
| | On | | | |
| | Off | | | |
| | Silent | | | |
| | 10S | | | |
| Back Light | 30S | | Retro-iluminación de la pantalla se apaga después de 10 segundos de inactividad | |
| | 2Min | | Retro-iluminación de la pantalla se apaga después de 30 segundos de inactividad | |
| | Always On | | Retro-iluminación de la pantalla se apaga después de 2 minutos de inactividad | |
| | | | Retro-iluminación de la pantalla siempre activa | |
| Information | Fixture Hours | ----H | Muestra el nombre total de las horas del producto | |
| | LED Hours | ----H | Muestra el total de horas de LED | |
| | Version | V_._ | Muestra instalada la versión de firmware | |
| | UID | ----- | Muestra el UID # del producto | |
| Reset Zoom w/ Power | No | | Mantiene el zoom en la última posición cuando se enciende | |
| | Yes | | Restablece el zoom a la posición inicial cuando se enciende | |
| Factory Reset | No | | Reinicia a la configuración de fábrica | |
| | Yes | | | |



ADVERTENCIA: Cuando funcione en modo ventilador: apagado, el aparato estará más caliente al tacto que si se usan otros modos de ventilador. Utilice un equipo de protección adecuado para evitar quemaduras. Mantenga una distancia de seguridad con objetos inflamable.



AVISO: Cuando funcione en modo ventilador: apagado, bajará el rendimiento del aparato y no alcanzará los mismos niveles que cuando use otros modos de ventilador.

DMX Values
18Ch

| Canal | Función | Valor | Porcentaje/Configuración |
|-------|---|---|---|
| 1 | Atenuador | 000 ⇔ 255 | 0–100% |
| 2 | Atenuador fino | 000 ⇔ 255 | 0–100% |
| 3 | Rojo | 000 ⇔ 255 | 0–100% |
| 4 | Rojo fino | 000 ⇔ 255 | 0–100% |
| 5 | Verde | 000 ⇔ 255 | 0–100% |
| 6 | Verde fino | 000 ⇔ 255 | 0–100% |
| 7 | Azul real | 000 ⇔ 255 | 0–100% |
| 8 | Azul real fino | 000 ⇔ 255 | 0–100% |
| 9 | Ámbar | 000 ⇔ 255 | 0–100% |
| 10 | Ámbar fino | 000 ⇔ 255 | 0–100% |
| 11 | Lima | 000 ⇔ 255 | 0–100% |
| 12 | Lima fino | 000 ⇔ 255 | 0–100% |
| 13 | Estroboscopio | 000 ⇔ 010 011 ⇔ 255 | Sin función Estroboscopio, lento a rápido |
| 14 | Rueda de color virtual | 000 ⇔ 255 | Referirse a Tabla de colores VCW |
| 15 | Temperatura del color | 000 ⇔ 255 | Referirse a Gráfico de temperaturas de color |
| 16 | Zoom | 000 ⇔ 255 | Estrecho a ancho |
| 17 | Reinicio del motor | 000 ⇔ 200 201 ⇔ 220 221 ⇔ 255 | Sin función Reinicio del motor Sin función |
| 18 | Control (mantenga por 3 segundos, luego suelte) | 000 ⇔ 007 008 ⇔ 015 016 ⇔ 023 024 ⇔ 031 032 ⇔ 039 040 ⇔ 047 048 ⇔ 055 056 ⇔ 063 064 ⇔ 071 072 ⇔ 079 080 ⇔ 087 088 ⇔ 095 096 ⇔ 103 104 ⇔ 111 112 ⇔ 119 120 ⇔ 127 128 ⇔ 255 | Sin función Reinicia a el atenuador Cambio de rojo: encendido Cambio de rojo: apagado Curva de atenuador curva-S Curva de atenuador lineal Curva de atenuador cuadrado Curva de atenuador cuadrado inverso Modo atenuador apagado Modo atenuador 1 Modo atenuador 2 Modo atenuador 3 Establece el ventilador a modo auto Establece el ventilador a modo siempre encendido Establece el ventilador siempre apagado Establece el ventilador en silencio Sin función (reservado) |

14Ch

| Canal | Función | Valor | Porcentaje/Configuración |
|-------|------------------------|------------------------|--|
| 1 | Atenuador | 000 ⇔ 255 | 0–100% |
| 2 | Rojo | 000 ⇔ 255 | 0–100% |
| 3 | Verde | 000 ⇔ 255 | 0–100% |
| 4 | Azul | 000 ⇔ 255 | 0–100% |
| 5 | Ámbar | 000 ⇔ 255 | 0–100% |
| 6 | Lima | 000 ⇔ 255 | 0–100% |
| 7 | Estroboscopio | 000 ⇔ 010 011 ⇔ 255 | Sin función Estroboscopico, lento a rápido |
| 8 | Rueda de color virtual | 000 ⇔ 255 | Referirse a Tabla de colores VCW |
| 9 | Temperatura del color | 000 ⇔ 255 | Referirse a Gráfico de temperaturas de color |

| Canal | Función | Valor | Porcentaje/Configuración |
|-----------|--|-----------|--|
| 10 | Programas automática | 000 ⇔ 010 | Sin función |
| | | 011 ⇔ 060 | Auto programas 1 |
| | | 061 ⇔ 110 | Auto programas 2 |
| | | 111 ⇔ 160 | Auto programas 3 |
| | | 161 ⇔ 210 | Auto programas 4 |
| | | 211 ⇔ 255 | Auto programas 5 |
| 11 | Velocidad automática | 000 ⇔ 255 | 0–100% |
| 12 | Control (mantenga por 3 segundos, luego suelte) | 000 ⇔ 007 | Sin función |
| | | 008 ⇔ 015 | Reinicia a el atenuador |
| | | 016 ⇔ 023 | Cambio de rojo: encendido |
| | | 024 ⇔ 031 | Cambio de rojo: apagado |
| | | 032 ⇔ 039 | Curva de atenuador curva-S |
| | | 040 ⇔ 047 | Curva de atenuador lineal |
| | | 048 ⇔ 055 | Curva de atenuador cuadrado |
| | | 056 ⇔ 063 | Curva de atenuador cuadrado inverso |
| | | 064 ⇔ 071 | Modo atenuador apagado |
| | | 072 ⇔ 079 | Modo atenuador 1 |
| | | 080 ⇔ 087 | Modo atenuador 2 |
| | | 088 ⇔ 095 | Modo atenuador 3 |
| | | 096 ⇔ 103 | Establece el ventilador a modo auto |
| | | 104 ⇔ 111 | Establece el ventilador a modo siempre encendido |
| 112 ⇔ 119 | Establece el ventilador siempre apagado | | |
| 120 ⇔ 127 | Establece el ventilador en silencio | | |
| 128 ⇔ 255 | Sin función (reservado) | | |
| 13 | Zoom | 000 ⇔ 255 | Estrecho a ancho |
| 14 | Reinicio del motor | 000 ⇔ 200 | Sin función |
| | | 201 ⇔ 220 | Reinicio del motor |
| | | 221 ⇔ 255 | Sin función |

13Ch

| Canal | Función | Valor | Porcentaje/Configuración |
|-------|----------------|-----------|-------------------------------|
| 1 | Atenuador | 000 ⇔ 255 | 0–100% |
| 2 | Atenuador fino | 000 ⇔ 255 | 0–100% |
| 3 | Rojo | 000 ⇔ 255 | 0–100% |
| 4 | Rojo fino | 000 ⇔ 255 | 0–100% |
| 5 | Verde | 000 ⇔ 255 | 0–100% |
| 6 | Verde fino | 000 ⇔ 255 | 0–100% |
| 7 | Azul real | 000 ⇔ 255 | 0–100% |
| 8 | Azul real fino | 000 ⇔ 255 | 0–100% |
| 9 | Ámbar | 000 ⇔ 255 | 0–100% |
| 10 | Ámbar fino | 000 ⇔ 255 | 0–100% |
| 11 | Lima | 000 ⇔ 255 | 0–100% |
| 12 | Lima fino | 000 ⇔ 255 | 0–100% |
| 13 | Estroboscopio | 000 ⇔ 010 | Sin función |
| | | 011 ⇔ 255 | Estroboscopio, lento a rápido |

11Ch

| Canal | Función | Valor | Porcentaje/Configuración |
|-------|------------------------|------------------------|--|
| 1 | Atenuador | 000 ⇔ 255 | 0–100% |
| 2 | Atenuador fino | 000 ⇔ 255 | 0–100% |
| 3 | Rojo | 000 ⇔ 255 | 0–100% |
| 4 | Verde | 000 ⇔ 255 | 0–100% |
| 5 | Azul | 000 ⇔ 255 | 0–100% |
| 6 | Ámbar | 000 ⇔ 255 | 0–100% |
| 7 | Lima | 000 ⇔ 255 | 0–100% |
| 8 | Estroboscopio | 000 ⇔ 010 011 ⇔ 255 | Sin función Estroboscopico, lento a rápido |
| 9 | Rueda de color virtual | 000 ⇔ 255 | Referirse a Tabla de colores VCW |
| 10 | Temperatura del color | 000 ⇔ 255 | Referirse a Gráfico de temperaturas de color |
| 11 | Zoom | 000 ⇔ 255 | Estrecho a ancho |

7Ch

| Canal | Función | Valor | Porcentaje/Configuración |
|-------|---------------|------------------------|---|
| 1 | Atenuador | 000 ⇔ 255 | 0–100% |
| 2 | Rojo | 000 ⇔ 255 | 0–100% |
| 3 | Verde | 000 ⇔ 255 | 0–100% |
| 4 | Azul | 000 ⇔ 255 | 0–100% |
| 5 | Ámbar | 000 ⇔ 255 | 0–100% |
| 6 | Lima | 000 ⇔ 255 | 0–100% |
| 7 | Estroboscopio | 000 ⇔ 010 011 ⇔ 255 | Sin función Estroboscopico, lento a rápido |

5Ch

| Canal | Función | Valor | Porcentaje/Configuración |
|-------|---------|-----------|--------------------------|
| 1 | Rojo | 000 ⇔ 255 | 0–100% |
| 2 | Verde | 000 ⇔ 255 | 0–100% |
| 3 | Azul | 000 ⇔ 255 | 0–100% |
| 4 | Ámbar | 000 ⇔ 255 | 0–100% |
| 5 | Lima | 000 ⇔ 255 | 0–100% |

3Ch

| Canal | Función | Valor | Porcentaje/Configuración |
|-------|------------------------|-----------|--|
| 1 | Atenuador | 000 ⇔ 255 | 0–100% |
| 2 | Temperatura del color | 000 ⇔ 255 | Referirse a Rueda de Color Virtual (VCW) |
| 3 | Rueda de color virtual | 000 ⇔ 255 | Referirse a Tabla de colores VCW |

1Ch

| Canal | Función | Valor | Porcentaje/Configuración |
|-------|-----------|-----------|--------------------------|
| 1 | Atenuador | 000 ⇔ 255 | 0–100% |

HSV

| Canal | Función | Valor | Porcentaje/Configuración |
|-------|------------|-----------|--------------------------|
| 1 | Tono | 000 ⇔ 255 | 0–100% |
| 2 | Saturación | 000 ⇔ 255 | 0–100% |
| 3 | Valor | 000 ⇔ 255 | 0–100% |

À Propos de ce Manuel

Le Manuel de Référence du Ovation F-915FC (MR) reprend des informations de base sur cet appareil notamment en matière de connexions, montage, options de menu et valeurs DMX. Télécharger le Manuel d'Utilisation sur www.chauvetprofessional.com pour de plus amples informations.

Clause de Non-Responsabilité

Les informations et caractéristiques contenues dans ce manuel sont sujettes à changement sans préavis.

GARANTIE LIMITÉE

VEUILLEZ VISITER NOTRE SITE INTERNET POUR CONSULTER LES MODALITÉS D'ENREGISTREMENT DE LA GARANTIE ET LES CONDITIONS GÉNÉRALES COMPLÈTES.

Pour les clients aux États-Unis et au Mexique: www.chauvetlighting.com/warranty-registration.

Pour les clients du Royaume-Uni, de la République d'Irlande, de la Belgique, des Pays-Bas, du Luxembourg, de la France et de l'Allemagne: www.chauvetlighting.eu/warranty-registration/.

Chauvet garantit que cet appareil est exempt de défauts de matériaux et de fabrication dans des conditions normales d'utilisation, pendant la période spécifiée dans la garantie limitée complète consultable sur notre site Internet et sous réserve des exclusions et limitations qui y sont énoncées. Cette garantie ne s'applique qu'à l'acheteur initial du produit et n'est pas transférable. Pour exercer les droits prévus par cette garantie, vous devez fournir une preuve d'achat sous la forme d'un reçu de vente original d'un revendeur autorisé qui indique le nom du produit et la date d'achat. IL N'EXISTE AUCUNE AUTRE GARANTIE EXPRESSE OU IMPLICITE. Cette garantie vous confère des droits légaux spécifique. Vous pouvez également bénéficier d'autres droits qui varient selon les états et les pays. Cette garantie n'est valable qu'aux États-Unis, au Royaume-Uni, en République d'Irlande, en Belgique, aux Pays-Bas, au Luxembourg, en France, en Allemagne et au Mexique. Pour connaître les conditions de garantie dans d'autres pays, veuillez consulter votre revendeur local.

Consignes de Sécurité

- N'ouvrez PAS cet appareil. Il ne contient aucun composant susceptible d'être réparé par l'utilisateur.
- Ne regardez PAS la source lumineuse lorsque l'appareil fonctionne.
- N'utilisez PAS ce produit en extérieur ou tout autre endroit où de la poussière, une chaleur excessive, de l'eau ou de l'humidité pour en affecter le fonctionnement (IP20).
- Ne laissez AUCUNE source inflammable dans un rayon de 50 cm de l'appareil lorsque celui-ci fonctionne.
- N'utilisez PAS cet appareil si le boîtier, les lentilles ou les câbles vous semblent endommagés.
- Ne connectez PAS cet appareil ni à un gradateur ni à un rhéostat.
- ATTENTION : le boîtier de cet appareil est brûlant lors du fonctionnement.
- ATTENTION : Lorsque l'appareil est transféré d'un environnement à température extrême à un autre (par exemple d'un camion froid vers une salle de bal chaude et humide), de la condensation peut se former sur les composants électriques internes. Pour éviter de causer des dommages, laissez l'appareil s'acclimater entièrement au milieu environnant avant de le mettre sous tension.
- Utilisez TOUJOURS un câble de sécurité lorsque vous montez cet appareil en hauteur.
- Connectez UNIQUEMENT cet appareil à un circuit protégé et relié à la terre.
- Transportez/Suspendez cet appareil UNIQUEMENT par le support de montage dont il est doté.
- Montez toujours cet appareil dans un endroit bien ventilé, à au moins, 20 pouces (50 cm) des surfaces adjacentes.
- Durant les périodes de non-utilisation, pour éviter toute usure inutile et pour prolonger la durée de vie, déconnectez entièrement l'appareil en le débranchant de l'alimentation électrique ou en coupant le disjoncteur.
- En cas de sérieux problèmes de fonctionnement, arrêtez le système immédiatement.
- La température ambiante maximale supportée par cet appareil est de 113 °F (45 °C). Ne le faites pas fonctionner à des températures plus élevées.

Conformité FCC

Cet appareil est conforme à la partie 15, sous-partie B du règlement de la FCC. L'utilisation est soumise aux deux conditions suivantes :

1. Cet appareil ne doit pas causer d'interférences nuisibles, et
2. Cet appareil doit accepter toutes les interférences reçues, y compris celles pouvant entraîner un fonctionnement indésirable.

Tout changement ou modification non expressément approuvé par l'autorité responsable de la conformité pourrait annuler le droit de l'utilisateur à utiliser l'équipement.

Contact

En dehors des États-Unis, du Royaume-Uni, de l'Irlande, du Benelux, de la France, de l'Allemagne, ou du Mexique, contactez votre fournisseur si vous avez besoin d'assistance ou de retourner votre appareil. Consultez le site [Contact Us](#) pour trouver nos coordonnées.

Ce Qui est Inclus

- Ovation F-915FC
- Un cordon d'alimentation Neutrik® powerCON®
- Cadre pour gélatine (191 mm/7,5 in accessoires)
- Un Manuel de Référence

Alimentation CA

Cet appareil est doté d'une alimentation universelle prenant en charge toute tension d'entrée comprise entre 100 et 240 VCA, 50/60 Hz.

Connexion Électrique

Vous pouvez connecter jusqu'à 6 Ovation F-915FC à 120 V, 10 unités à 208 V ou 12 unités à 230 V. Ne dépassez jamais cette limite. Vous pouvez vous procurer séparément des cordons d'alimentation.

Prise CA

| Connexion | Câble (États-Unis) | Câble (Europe) | Couleur de la vis |
|---------------|--------------------|----------------|-------------------|
| Conducteur CA | Noir | Marron | Jaune/Cuivré |
| Neutre CA | Blanc | Bleu | Argenté |
| Terre CA | Vert/Jaune | Vert/Jaune | Vert |



Durant les périodes de non-utilisation, pour éviter toute usure inutile et pour prolonger la durée de vie, déconnectez-entièrement l'appareil en le débranchant de l'alimentation électrique ou en coupant le disjoncteur.

Remplacement du Fusible

1. Débranchez l'appareil de la prise.
2. À l'aide d'un tournevis à tête n°2, dévissez le couvercle du porte-fusible.
3. Remplacez le fusible obsolète par un fusible neuf équivalent.
4. Revissez le couvercle du porte-fusible et rebranchez l'unité.

Raccordement DMX

Le Ovation F-915FC fonctionnera avec un jeu d'orgues DMX au moyen de connexions série DMX à 3 et 5 broches. Une introduction au DMX est à votre disposition sur www.chauvetprofessional.com.

Connexion DMX

Le Ovation F-915FC utilise une connexion de données DMX à 3 et 5 broches pour ses personnalités DMX: **1Ch, 3Ch, 5Ch, 7Ch, 11Ch, 13Ch, 14Ch, 18Ch** et **HSV**. Consultez le Manuel d'Utilisation pour connecter et configurer le système DMX.

Connexion Maître/ Esclave

Le Ovation F-915FC utilise une connexion de données DMX pour son mode Maître/Esclave. Consultez le Manuel d'Utilisation pour connecter et configurer le mode de fonctionnement Maître/Esclave.

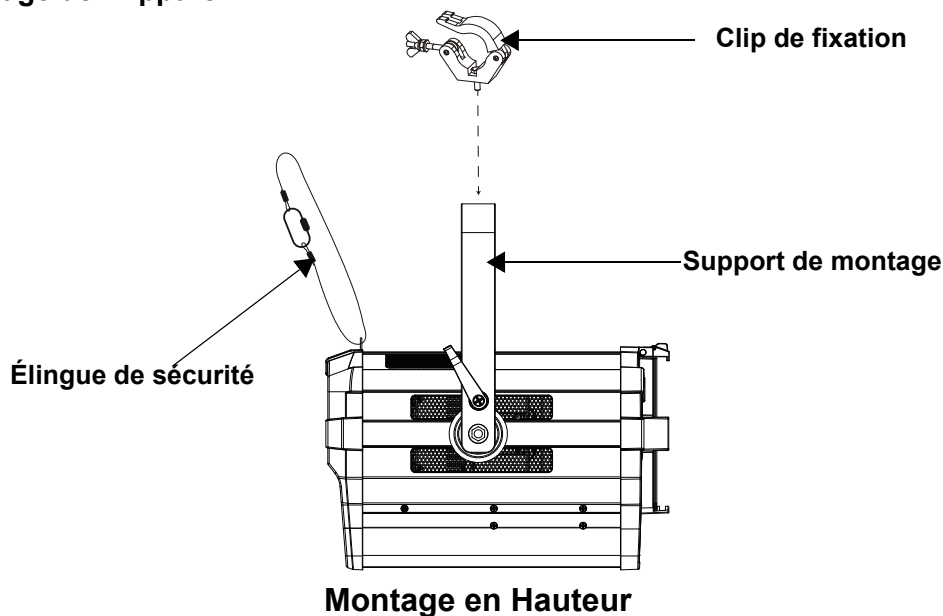
RDM (Gestion des périphériques à distance)

Le protocole RDM (gestion des périphériques à distance) est un standard pour la communication bidirectionnelle des appareils dotés de fonctions DMX dans un câblage DMX existant. Le Ovation F-915FC supporte le protocole RDM permettant un retour d'information pour la surveillance et des changements des options de menu. Veuillez télécharger le manuel de l'utilisateur à partir du site internet www.chauvetprofessional.com pour plus de détails.

Installation

Avant de monter cet appareil, lisez et assimilez les [Consignes de Sécurité](#). Veillez à ce que les fixations sont capables de supporter le poids de l'unité. Découvrez notre gamme de fixations Chauvet sur <http://trusst.com/productcategory/truss-clamps/>.

Schéma de Montage de l'Appareil



Roue de Couleurs Virtuelles (VCW)

Le Ovation F-915FC dispose d'une fonction appelée Roue de Couleur Virtuelle (VCW - Virtual Color Wheel). Cette fonction est disponible en mode de contrôle autonome pour une utilisation manuelle mais également en tant que canal de contrôle dans certaines personnalités DMX. Plus de 30 couleurs pré-mélangées, personnalisées par nos ingénieurs, sont disponibles pour faciliter la programmation.

Les valeurs DMX utilisées pour mélanger ces couleurs sont indiquées ci-dessous. Vous pouvez ajuster l'intensité globale du Ovation afin de reproduire plus fidèlement les couleurs que vous avez l'habitude d'utiliser. Un graphique est disponible sur notre site Web à l'adresse www.chauvetprofessional.com pour comparer nos couleurs pré-mélangées avec des couleurs de gel populaires. Ce tableau est fourni uniquement à des fins de comparaison et ne certifie pas que nos couleurs pré-mélangées correspondent aux couleurs de gel énumérées.

Gamme de couleurs

| Valeurs des Canaux DMX | Affichage à l'Écran | Valeur Rouge | Valeur Vert | Valeur Bleu | Valeur Ambre | Valeur Lime |
|------------------------|-----------------------------|--------------|-------------|-------------|--------------|-------------|
| 000 ⇔ 005 | -- | 000 | 000 | 000 | 000 | 000 |
| 006 ⇔ 013 | C3050 - Md Yellow | 233 | 163 | 020 | 123 | 255 |
| 014 ⇔ 021 | C3040 - Lt Yellow | 224 | 158 | 047 | 255 | 231 |
| 022 ⇔ 028 | C3240 - Amb Yellow | 180 | 060 | 000 | 245 | 255 |
| 029 ⇔ 035 | C2340 - VLt Amber | 245 | 107 | 081 | 255 | 213 |
| 036 ⇔ 043 | C2040 - Lt Amber | 230 | 130 | 062 | 255 | 155 |
| 044 ⇔ 051 | C2050 - Md Amber | 255 | 000 | 025 | 255 | 194 |
| 052 ⇔ 059 | C2060 - Dk Amber | 255 | 000 | 024 | 255 | 150 |
| 060 ⇔ 067 | C1050 - Lt Red | 255 | 037 | 027 | 030 | 038 |
| 068 ⇔ 075 | C1080 - Md Red | 255 | 004 | 017 | 000 | 000 |
| 076 ⇔ 083 | C1020 - NC Pink | 238 | 135 | 129 | 255 | 255 |
| 084 ⇔ 091 | C1030 - Md Pink | 255 | 131 | 120 | 255 | 195 |
| 092 ⇔ 099 | C1630 - Dk Pink | 255 | 165 | 123 | 255 | 210 |
| 100 ⇔ 107 | C1250 - Md Red Amber | 255 | 000 | 041 | 195 | 055 |
| 108 ⇔ 115 | C1060 - Dk Red Amber | 255 | 000 | 045 | 120 | 030 |
| 116 ⇔ 121 | C1650 - Magenta | 255 | 050 | 115 | 255 | 115 |
| 122 ⇔ 130 | C6170 - Dk Magenta | 255 | 035 | 117 | 000 | 000 |
| 131 ⇔ 138 | C6020 - Lt Lavender | 127 | 122 | 142 | 251 | 255 |
| 139 ⇔ 146 | C5030 - Lt Blue | 000 | 255 | 197 | 100 | 255 |
| 147 ⇔ 154 | C5020 - VLt Blue | 158 | 255 | 189 | 000 | 255 |
| 155 ⇔ 162 | C5430 - Lt Blue 2 | 000 | 255 | 180 | 000 | 243 |
| 163 ⇔ 170 | C5070 - Blue | 043 | 255 | 210 | 043 | 036 |
| 171 ⇔ 178 | C5050 - Md Blue | 000 | 255 | 218 | 000 | 181 |
| 179 ⇔ 186 | C5060 - Dk Blue | 000 | 210 | 206 | 000 | 118 |
| 187 ⇔ 194 | C5690 - Indigo | 065 | 000 | 210 | 040 | 055 |
| 195 ⇔ 202 | C5080 - VDK Blue | 000 | 203 | 230 | 000 | 040 |
| 203 ⇔ 210 | C5081 - VDK Blue2 | 040 | 199 | 240 | 000 | 045 |
| 211 ⇔ 218 | C4370 - Yel Green | 027 | 255 | 028 | 016 | 104 |
| 219 ⇔ 226 | C4070 - Green | 049 | 255 | 055 | 120 | 090 |
| 227 ⇔ 234 | C4550 - Turquoise | 060 | 230 | 109 | 000 | 245 |
| 235 ⇔ 242 | C4560 - Aqua | 020 | 240 | 126 | 036 | 255 |
| 243 ⇔ 250 | C4570 - Blue Green | 000 | 255 | 079 | 030 | 053 |
| 251 ⇔ 255 | -- | 000 | 000 | 000 | 000 | 000 |



Remarque: Les couleurs ci-dessus sont des rendus simulés de couleurs produits sur base des couleurs émises par les appareils à incandescence. Chauvet ne peut garantir l'exactitude du rendu d'une couleur.

Gamme des températures de couleur

| Valeurs des Canaux DMX | Affichage à l'Écran | Valeur Rouge | Valeur Vert | Valeur Bleu | Valeur Ambre | Valeur Lime |
|------------------------|---------------------|--------------|-------------|-------------|--------------|-------------|
| 000 ⇔ 005 | -- | 000 | 000 | 000 | 000 | 000 |
| 006 ⇔ 025 | 2800K | 237 | 120 | 036 | 255 | 255 |
| 026 ⇔ 050 | 3000K | 220 | 128 | 050 | 255 | 255 |
| 051 ⇔ 075 | 3200K | 176 | 128 | 057 | 255 | 255 |
| 076 ⇔ 100 | 3500K | 154 | 128 | 080 | 255 | 255 |
| 101 ⇔ 125 | 4000K | 128 | 128 | 112 | 255 | 255 |
| 126 ⇔ 150 | 4500K | 108 | 128 | 133 | 255 | 255 |
| 151 ⇔ 175 | 5000K | 097 | 128 | 152 | 255 | 255 |
| 176 ⇔ 200 | 5600K | 087 | 128 | 170 | 255 | 255 |
| 201 ⇔ 225 | 6000K | 075 | 128 | 177 | 255 | 255 |
| 226 ⇔ 250 | 6500K | 066 | 128 | 187 | 255 | 255 |
| 251 ⇔ 255 | -- | 000 | 000 | 000 | 000 | 000 |



Remarque: Les températures de couleur ci-dessus sont des rendus simulés de la sortie de couleur effectivement générée par comparaison avec une lampe tungstène à la température de couleur spécifiée. Chauvet ne donne aucune garantie sur la précision de la sortie de couleur.

Description du Tableau de Commandes

| Bouton | Fonction |
|---------------------|---|
| <MENU> | Permet la sortie du menu ou de la fonction en cours |
| <ENTER> | Permet l'affichage du menu en cours ou permet de configurer la valeur en cours dans la fonction sélectionnée |
| <UP> | Permet de parcourir les listes ou les menus vers le haut, dans une fonction permet d'augmenter les valeurs numériques |
| <DOWN> | Permet de parcourir les listes ou les menus vers le bas, dans une fonction permet de diminuer les valeurs numériques |
| <Color Temperature> | Appuyez puis tournez pour sélectionner la température de couleur |
| <Dimmer> | Appuyez puis tournez pour augmenter ou diminuer le gradateur |
| <Zoom> | Appuyez puis tournez pour augmenter ou diminuer le zoom |

Tableau de Menu

| Niveau Principal | Niveaux de Programmation | | Description |
|------------------|--------------------------|---|---|
| DMX Address | Address | 001–512* | Permet de sélectionner l'adresse de démarrage (*le canal le plus élevé est restreint à la personnalité choisie) |
| DMX Channel | 1Ch | Virtual Color Wheel | 1 canal: gradateur, décalage rouge |
| | | Color Temperature | |
| | | Manual Color Mixer | |
| | | 3Ch | 3 canaux: gradateur, VCW, température de la couleur |
| | | 5Ch | 5 canaux: RVBAL control |
| | | 7Ch | 7 canaux: RVBAL control, gradateur, stroboscope |
| | | 11Ch | 11 canaux: RVBAL control, gradateur 16 bits, stroboscope, VCW, température de la couleur |
| | | 13Ch | 13 canaux: 16-bit RVBAL control, gradateur 16 bits, stroboscope |
| | | 14Ch | 14 canaux: gradateur, RVBAL, stroboscope, VCW, température de couleur, programmes automatique, vitesse automatique, control, zoom, réinitialisation du moteur |
| | 18Ch | 18 canaux: RVBAL control, gradateur 16 bits, stroboscope, VCW, température de la couleur, zoom, réinitialisation du moteur, control | |
| | HSV | 3 canaux: hue, saturation, value | |

| Niveau Principal | Niveaux de Programmation | | Description | |
|---------------------|--------------------------|---|---|--|
| Virtual Color Wheel | Virtual Color Wheel | C3050 - Md Yellow C3040 - Lt Yellow C3240 - Amb Yellow C2340 - VLt Amber C2040 - Lt Amber C2050 - Md Amber C2060 - Dk Amber C1050 - Lt Red C1080 - Md Red C1020 - NC Pink C1030 - Md Pink C1630 - Dk Pink C1250 - Md Red Amber C1060 - Dk Red Amber C1650 - Magenta C6170 - Dk Magenta C6020 - Lt Lavender C5030 - Lt Blue C5020 - VLt Blue C5430 - Lt Blue 2 C5070 - Blue C5050 - Md Blue C5060 - Dk Blue C5690 - Indigo C5080 - VDk Blue C5081 - VDk Blue 2 C4370 - Yel Green C4070 - Green C4550 - Turquoise C4560 - Aqua C4570 - Blue Green | Dimmer 0–255 | Roue de Couleurs Virtuelles (VCW) simule le rendu des gélamines de couleur. Consultez la section Gamme de couleurs pour en connaître les valeurs spécifiques. |
| | | 2800K 3000K 3200K 3500K 4000K 4500K 5000K 5600K 6000K 6500K | Dimmer 0–255 | Températures de couleur de blanc prédéfinies. Simule une lampe tungstène à la température de couleur spécifiée. Référez vous à la section Gamme des températures de couleur pour les valeurs spécifiques |
| | | Red Green Blue Amber Lime | 0–255 | Combine les couleurs rouge, vert, bleu, ambre et lime pour un résultat personnalisé (0–100%) |
| Auto Show | Auto 1–5 | 1–100 | Sélectionne les programmes automatiques et vitesse auto | |
| Zoom | 0–255 | | Commande du zoom | |
| Red Shift | On Off | | Imite la gradation des lampes halogènes | |
| Master/Slave | Master | | Recevez le signal DMX du contrôleur DMX (maître) | |
| | Slave | | Recevoir le signal de l'unité maître (esclave) | |

| Niveau Principal | Niveaux de Programmation | | Description |
|---------------------|---|-------|--|
| Dimmer Curve | S-Curve Linear Square Inverse Square | | Définir la courbe de gradation |
| Dimmer Mode | Off | | Gradateur linéaire |
| | Dimmer 1–3 | | Courbes de gradation rapide (Dimmer 1) à lent (Dimmer 3) |
| White Balance | Manual | Off | Utilise le paramétrage de blanc défini en usine |
| | | Red | Définit la valeur maximale de LED rouge |
| | | Green | Définit la valeur maximale de LED vert |
| | | Blue | Définit la valeur maximale de LED bleu |
| | | Amber | Définit la valeur maximale de LED ambre |
| | | Lime | Définit la valeur maximale de LED lime |
| LED Frequency | 600Hz | | Permet de sélectionner la fréquence de sortie MLI |
| | 1200Hz | | |
| | 2000Hz | | |
| | 4000Hz | | |
| | 6000Hz | | |
| | 25KHz | | |
| Fan Mode | Auto | | Réglez le ventilateur en mode automatique |
| | On | | Réglez le mode de ventilateur toujours |
| | Off | | Règle le ventilateur sur toujours |
| | Silent | | Règle le ventilateur sur silencieux |
| Back Light | 10S | | Désactive l'affichage rétro-éclairage après 10 secondes d'inactivité |
| | 30S | | Désactive l'affichage rétro-éclairage après 30 secondes d'inactivité |
| | 2Min | | Désactive l'affichage rétro-éclairage après 2 minutes d'inactivité |
| | Always On | | Affichage rétro-éclairage toujours active |
| Information | Fixture Hours | ___H | Affiche le nombre total des heures du produit |
| | LED Hours | ___H | Affiche le nombre total d'heures de LED |
| | Version | V_._ | Affiche la version du logiciel installée |
| | UID | ----- | Affiche UID actuel |
| Reset Zoom w/ Power | No | | Conserve la dernière position de zoom à la mise sous tension |
| | Yes | | Réinitialise le zoom en position d'origine à la mise sous tension |
| Reset Factory | No | | Permet de réinitialiser aux valeurs par défaut d'usine |
| | Yes | | |



ATTENTION: Lors du fonctionnement en mode ventilateur: Lorsque le ventilateur est à l'arrêt, l'appareil devient plus chaud au toucher que lors de l'utilisation des autres modes de ventilateur. Utilisez un équipement de protection approprié pour prévenir des brûlures. Tenir à l'écart de tout objet inflammable.



REMARQUE: Lors du fonctionnement en mode ventilateur: Lorsque le ventilateur est à l'arrêt, le rendement de l'appareil est réduit et ne peut pas atteindre les mêmes niveaux que lors de l'utilisation des autres modes de ventilateur.

FR

DMX Values

18Ch

| Canal | Fonction | Valeur | Pourcentage/Configuration |
|-------|---|---|--|
| 1 | Gradateur | 000 ⇔ 255 | 0–100% |
| 2 | Gradateur fin | 000 ⇔ 255 | 0–100% |
| 3 | Rouge | 000 ⇔ 255 | 0–100% |
| 4 | Rouge fin | 000 ⇔ 255 | 0–100% |
| 5 | Vert | 000 ⇔ 255 | 0–100% |
| 6 | Vert fin | 000 ⇔ 255 | 0–100% |
| 7 | Bleu | 000 ⇔ 255 | 0–100% |
| 8 | Bleu fin | 000 ⇔ 255 | 0–100% |
| 9 | Ambre | 000 ⇔ 255 | 0–100% |
| 10 | Ambre fin | 000 ⇔ 255 | 0–100% |
| 11 | Lime | 000 ⇔ 255 | 0–100% |
| 12 | Lime fin | 000 ⇔ 255 | 0–100% |
| 13 | Stroboscope | 000 ⇔ 010 011 ⇔ 255 | Pas de fonction Stroboscope, lent à rapide |
| 14 | Roue de couleurs virtuelle | 000 ⇔ 255 | Consultez la section Gamme de couleurs |
| 15 | Température de couleur | 000 ⇔ 255 | Consultez la section Gamme des températures de couleur |
| 16 | Zoom | 000 ⇔ 255 | Étroit à large |
| 17 | Réinitialisation du moteur | 000 ⇔ 200 201 ⇔ 220 221 ⇔ 255 | Pas de fonction Réinitialisation du moteur Pas de fonction |
| 18 | Control (maintenez pendant 3 secondes, puis relâchez) | 000 ⇔ 007 008 ⇔ 015 016 ⇔ 023 024 ⇔ 031 032 ⇔ 039 040 ⇔ 047 048 ⇔ 055 056 ⇔ 063 064 ⇔ 071 072 ⇔ 079 080 ⇔ 087 088 ⇔ 095 096 ⇔ 103 104 ⇔ 111 112 ⇔ 119 120 ⇔ 127 128 ⇔ 255 | Pas de fonction Réinitialiser du gradateur Décalage rouge activé Décalage rouge désactivé Courbe de gradateur S-Curve Courbe de gradateur linéaire Courbe de gradateur carrée Courbe de gradateur carrée inverse Mode vitesse du gradateur désactivé Mode vitesse du gradateur 1 Mode vitesse du gradateur 2 Mode vitesse du gradateur 3 Mode ventilateur automatique Mode ventilateur activé Mode ventilateur désactivé Mode ventilateur silencieux Pas de fonction (réservé) |

14Ch

| Canal | Fonction | Valeur | Pourcentage/Configuration |
|-------|----------------------------|------------------------|--|
| 1 | Gradateur | 000 ⇔ 255 | 0–100% |
| 2 | Rouge | 000 ⇔ 255 | 0–100% |
| 3 | Vert | 000 ⇔ 255 | 0–100% |
| 4 | Bleu | 000 ⇔ 255 | 0–100% |
| 5 | Ambre | 000 ⇔ 255 | 0–100% |
| 6 | Lime | 000 ⇔ 255 | 0–100% |
| 7 | Stroboscope | 000 ⇔ 010 011 ⇔ 255 | Pas de fonction Stroboscope, lent à rapide |
| 8 | Roue de couleurs virtuelle | 000 ⇔ 255 | Consultez la section Gamme de couleurs |
| 9 | Température de couleur | 000 ⇔ 255 | Consultez la section Gamme des températures de couleur |

| Canal | Fonction | Valeur | Pourcentage/Configuration |
|-----------|---|-----------|-------------------------------------|
| 10 | Auto programmes | 000 ⇔ 010 | Pas de fonction |
| | | 011 ⇔ 060 | Auto programmes 1 |
| | | 061 ⇔ 110 | Auto programmes 2 |
| | | 111 ⇔ 160 | Auto programmes 3 |
| | | 161 ⇔ 210 | Auto programmes 4 |
| | | 211 ⇔ 255 | Auto programmes 5 |
| 11 | Vitesse auto | 000 ⇔ 255 | 0–100% |
| 12 | Control (maintenez pendant 3 secondes, puis relâchez) | 000 ⇔ 007 | Pas de fonction |
| | | 008 ⇔ 015 | Réinitialiser du gradateur |
| | | 016 ⇔ 023 | Décalage rouge activé |
| | | 024 ⇔ 031 | Décalage rouge désactivé |
| | | 032 ⇔ 039 | Courbe de gradateur S-Curve |
| | | 040 ⇔ 047 | Courbe de gradateur linéaire |
| | | 048 ⇔ 055 | Courbe de gradateur carrée |
| | | 056 ⇔ 063 | Courbe de gradateur carrée inverse |
| | | 064 ⇔ 071 | Mode vitesse du gradateur désactivé |
| | | 072 ⇔ 079 | Mode vitesse du gradateur 1 |
| | | 080 ⇔ 087 | Mode vitesse du gradateur 2 |
| | | 088 ⇔ 095 | Mode vitesse du gradateur 3 |
| | | 096 ⇔ 103 | Mode ventilateur automatique |
| | | 104 ⇔ 111 | Mode ventilateur activé |
| 112 ⇔ 119 | Mode ventilateur désactivé | | |
| 120 ⇔ 127 | Mode ventilateur silencieux | | |
| 128 ⇔ 255 | Pas de fonction (réservé) | | |
| 13 | Zoom | 000 ⇔ 255 | Étroit à large |
| 14 | Réinitialisation du moteur | 000 ⇔ 200 | Pas de fonction |
| | | 201 ⇔ 220 | Réinitialisation du moteur |
| | | 221 ⇔ 255 | Pas de fonction |

13Ch

| Canal | Fonction | Valeur | Pourcentage/Configuration |
|-------|---------------|-----------|----------------------------|
| 1 | Gradateur | 000 ⇔ 255 | 0–100% |
| 2 | Gradateur fin | 000 ⇔ 255 | 0–100% |
| 3 | Rouge | 000 ⇔ 255 | 0–100% |
| 4 | Rouge fin | 000 ⇔ 255 | 0–100% |
| 5 | Vert | 000 ⇔ 255 | 0–100% |
| 6 | Vert fin | 000 ⇔ 255 | 0–100% |
| 7 | Bleu | 000 ⇔ 255 | 0–100% |
| 8 | Bleu fin | 000 ⇔ 255 | 0–100% |
| 9 | Ambre | 000 ⇔ 255 | 0–100% |
| 10 | Ambre fin | 000 ⇔ 255 | 0–100% |
| 11 | Lime | 000 ⇔ 255 | 0–100% |
| 12 | Lime fin | 000 ⇔ 255 | 0–100% |
| 13 | Stroboscope | 000 ⇔ 010 | Pas de fonction |
| | | 011 ⇔ 255 | Stroboscope, lent à rapide |

FR

11Ch

| Canal | Fonction | Valeur | Pourcentage/Configuration |
|-------|----------------------------|------------------------|--|
| 1 | Gradateur | 000 ⇔ 255 | 0–100% |
| 2 | Gradateur fin | 000 ⇔ 255 | 0–100% |
| 3 | Rouge | 000 ⇔ 255 | 0–100% |
| 4 | Vert | 000 ⇔ 255 | 0–100% |
| 5 | Bleu | 000 ⇔ 255 | 0–100% |
| 6 | Ambre | 000 ⇔ 255 | 0–100% |
| 7 | Lime | 000 ⇔ 255 | 0–100% |
| 8 | Stroboscope | 000 ⇔ 010 011 ⇔ 255 | Pas de fonction Stroboscope, lent à rapide |
| 9 | Roue de couleurs virtuelle | 000 ⇔ 255 | Consultez la section Gamme de couleurs |
| 10 | Température de couleur | 000 ⇔ 255 | Consultez la section Gamme des températures de couleur |
| 11 | Zoom | 000 ⇔ 255 | Étroit à large |

7Ch

| Canal | Fonction | Valeur | Pourcentage/Configuration |
|-------|-------------|------------------------|---|
| 1 | Gradateur | 000 ⇔ 255 | 0–100% |
| 2 | Rouge | 000 ⇔ 255 | 0–100% |
| 3 | Vert | 000 ⇔ 255 | 0–100% |
| 4 | Bleu | 000 ⇔ 255 | 0–100% |
| 5 | Ambre | 000 ⇔ 255 | 0–100% |
| 6 | Lime | 000 ⇔ 255 | 0–100% |
| 7 | Stroboscope | 000 ⇔ 010 011 ⇔ 255 | Pas de fonction Stroboscope, lent à rapide |

5Ch

| Canal | Fonction | Valeur | Pourcentage/Configuration |
|-------|----------|-----------|---------------------------|
| 1 | Rouge | 000 ⇔ 255 | 0–100% |
| 2 | Vert | 000 ⇔ 255 | 0–100% |
| 3 | Bleu | 000 ⇔ 255 | 0–100% |
| 4 | Ambre | 000 ⇔ 255 | 0–100% |
| 5 | Lime | 000 ⇔ 255 | 0–100% |

3Ch

| Canal | Fonction | Valeur | Pourcentage/Configuration |
|-------|----------------------------|-----------|--|
| 1 | Gradateur | 000 ⇔ 255 | 0–100% |
| 2 | Roue de couleurs virtuelle | 000 ⇔ 255 | Consultez la section Gamme de couleurs |
| 3 | Température de couleur | 000 ⇔ 255 | Consultez la section Gamme des températures de couleur |

1Ch

| Canal | Fonction | Valeur | Pourcentage/Configuration |
|-------|-----------|-----------|---------------------------|
| 1 | Gradateur | 000 ⇔ 255 | 0–100% |

HSV

| Canal | Fonction | Valeur | Pourcentage/Configuration |
|-------|------------|-----------|---------------------------|
| 1 | Teint | 000 ⇔ 255 | 0–100% |
| 2 | Saturation | 000 ⇔ 255 | 0–100% |
| 3 | Valeur | 000 ⇔ 255 | 0–100% |

Über diese Schnellanleitung

In der Schnellanleitung des Ovation F-915FC finden Sie die wesentlichen Produktinformationen, wie etwa über den Anschluss, die Montage, Menüoptionen und DMX-Werte des Geräts. Laden Sie für weiterführende Informationen unter www.chauvetprofessional.com das Benutzerhandbuch herunter.

Haftungsausschluss

Die in dieser Anleitung aufgeführten Informationen und Spezifikationen können ohne vorherige Ankündigung geändert werden.

EINGESCHRÄNKTE GARANTIE

ZUR REGISTRIERUNG FÜR GARANTIEANSPRÜCHE UND ZUR EINSICHT IN DIE VOLLSTÄNDIGEN GESCHÄFTSBEDINGUNGEN BESUCHEN SIE BITTE UNSERE WEBSITE.

Für Kunden in den USA und in Mexiko: www.chauvetlighting.com/warranty-registration.

Für Kunden im Vereinigten Königreich, in Irland, Belgien, den Niederlanden, Luxemburg, Frankreich und Deutschland: www.chauvetlighting.eu/warranty-registration/.

Chauvet garantiert für die in der auf unserer Website veröffentlichten vollständigen eingeschränkten Garantie genannten Dauer und unter Vorbehalt der darin genannten Haftungsausschlüsse und -beschränkungen, dass dieses Produkt bei normalen Gebrauch frei von Material- und Verarbeitungsfehlern ist. Diese Garantie erstreckt sich nur auf den Erstkäufer des Produkts und ist nicht übertragbar. Zur Ausübung der unter dieser Garantie gewährten Rechte ist der Kaufbeleg in Form der Originalrechnung von einem autorisierten Händler vorzulegen, in der die Produktbezeichnung und das Kaufdatum vermerkt sein müssen. **ES BESTEHEN KEINE WEITEREN AUSDRÜCKLICHEN ODER STILLSCHWEIGENDEN GARANTIEN.** Diese Garantie gibt Ihnen besondere gesetzliche Rechte. Und Sie haben möglicherweise weitere Rechte, die von Land zu Land unterschiedlich sein können. Diese Garantie ist nur in den USA, im Vereinigten Königreich, in Irland, Belgien, den Niederlanden, Luxemburg, Frankreich, Deutschland und Mexiko gültig. Bezüglich der Garantiebestimmungen in anderen Ländern wenden Sie sich bitte an Ihren lokalen Händler.

Sicherheitshinweise

- Dieses Gerät NICHT öffnen. Die eingebauten Komponenten sind für den Kunden wartungsfrei.
- NIEMALS in die Lichtquelle schauen, während das Gerät eingeschaltet ist.
- Dieses Gerät darf NICHT in Wasser eingetaucht werden (IP20). Eine regelmäßige Verwendung dieses Geräts im Freien ist möglich.
- Belassen Sie KEINE entflammaren Materialien in einem Umkreis von 50 cm dieses Geräts, während es in Betrieb oder an der Stromversorgung angeschlossen ist.
- NIEMALS das Gerät in Betrieb nehmen, wenn Ihnen das Gehäuse, die Linsen oder das Kabel beschädigt erscheinen.
- Schließen Sie dieses Gerät NICHT an einen Dimmer oder Regelwiderstand an.
- VORSICHT: Das Gehäuse dieses Produkts kann während des Betriebs heiß werden.
- VORSICHT: Beim Transport des Geräts von einer Umgebung mit außergewöhnlichen Temperaturen in eine andere solche Umgebung (z. B. aus einem kalten Transporter in einen warm-feuchten Ballsaal) kann an der im Gerät enthaltenen Elektronik Wasser kondensieren. Um einen Defekt zu vermeiden, muss sich das Gerät erst in der neuen Umgebung akklimatisiert haben, bevor es an die Stromversorgung angeschlossen werden kann.
- VERWENDEN Sie bei Montage über Kopf immer ein Sicherheitsseil.
- Schließen Sie dieses Produkt NUR an einen mit der Erde verbundenen und geschützten Stromkreis an.
- Das Gerät NUR an den Hänge-/Befestigungsbügeln oder Griffen tragen.
- Installieren Sie das Gerät an einem Ort mit ausreichender Belüftung und mit einem Abstand von mindestens 50 cm zu den angrenzenden Flächen.
- Um unnötigen Verschleiß zu vermeiden und die Lebensdauer des Geräts zu verlängern, trennen Sie während längerer Perioden des Nichtgebrauchs das Gerät vom Stromnetz – entweder per Trennschalter oder durch Herausziehen des Steckers aus der Steckdose.
- Bei ernsthaften Betriebsproblemen stoppen Sie umgehend die Verwendung des Geräts.
- Die maximal zulässige Umgebungstemperatur beträgt 45 °C. Nehmen Sie das Gerät nicht bei höheren Temperaturen in Betrieb.

FCC-Konformität

Dieses Gerät erfüllt Teil 15, Teil B, der FCC-Bestimmungen. Der Betrieb ist an folgende zwei Bedingungen geknüpft:

1. Dieses Gerät darf keine schädlichen Interferenzen verursachen, und
2. Dieses Gerät muss empfangende Interferenzen aufnehmen können, auch Interferenzen, die eventuell einen unerwünschten Betrieb verursachen.

Jegliche Änderungen oder Modifikationen, die nicht ausdrücklich von der Partei genehmigt wurden, die für die Compliance zuständig ist, könnten die Berechtigung des Benutzers zum Betrieb dieses Geräts aufheben.

Kontakt

Kunden außerhalb der USA, GB, Irland, Mexiko, Frankreichs, Deutschlands oder der Benelux-Staaten wenden sich an ihren Lieferanten, um den Kundensupport in Anspruch zu nehmen oder ein Produkt zurückzuschicken.

Kontaktinformationen finden Sie unter [Contact Us](#) am Ende dieser Schnellanleitung.

Packungsinhalt

- Ovation F-915FC
- Gel-Rahmen (Zubehör für 7,5 Zoll/191 mm)
- Netzkabel Neutrik® powerCON®
- Schnellanleitung

Wechselstrom

Dieses Gerät verfügt über ein Vorschaltgerät, das automatisch die anliegende Spannung erkennt, sobald der Netzstecker in die Schukosteckdose gesteckt wird, und kann mit einer Eingangsspannung von 100~240 V AC, 50/60 Hz arbeiten.

Serienschaltung der Geräte

Sie können bis zu 6 Ovation F-915FC Geräte bei 120 V AC, 10 Geräte bei 208 V und 12 Geräte bei 230 V AC in Serie schalten. Diese Anzahl niemals überschreiten! Stromkabel für die Serienschaltung können separat erworben werden.

Wechselstromstecker

| Anschluss | Draht (USA) | Draht (Europa) | Schraubenfarbe |
|--------------------------|-------------|----------------|--------------------|
| Stromführender AC-Leiter | Schwarz | Braun | Gelb/Messingfarben |
| AC-Neutralleiter | Weiß | Blau | Silber |
| AC-Erdungsleiter | Grün/Gelb | Grün/Gelb | Grün |



Um Verschleiß zu vermeiden und die Lebensdauer des Geräts zu verlängern, trennen Sie während längerer Perioden des Nichtgebrauchs das Gerät vom Stromnetz – entweder per Trennschalter oder durch Herausziehen des Steckers aus der Steckdose.

Auswechseln der Sicherung

1. Trennen Sie das Gerät vom Stromnetz.
2. Mit einem Flachkopfschraubendreher lösen Sie die Abdeckung des Sicherungshalters vom Gehäuse.
3. Entfernen Sie die durchgebrannte Sicherung, und ersetzen Sie diese durch eine Sicherung des gleichen Typs und mit den gleichen Werten.
4. Schrauben Sie die Abdeckung der Sicherung wieder ein, und schließen Sie das Gerät wieder an das Stromnetz an.

DMX-Verbindung

Die Ovation F-915FC kann mit einem DMX-Controller betrieben werden, wenn eine 3- und 5-polige DMX-Datenverbindung zum Einsatz kommt. Sie können sich eine Einführung in DMX unter www.chauvetprofessional.com herunterladen.

DMX-Anschluss

Der Ovation F-915FC nutzt zur Steuerung seiner DMX-Eigenschaften eine eine 3- und 5-polige DMX-Datenverbindung: **1Ch, 3Ch, 5Ch, 7Ch, 11Ch, 13Ch, 14Ch, 18Ch** und **HSV**. Informationen zum Anschließen und Konfigurieren des Geräts für einen DMX-Betrieb finden Sie in der Bedienungsanleitung.

Master/Slave-Schaltung

Der Ovation F-915FC verwendet für seinen Master/Slave-Modus eine DMX-Datenverbindung. Informationen zum Anschließen und Konfigurieren des Geräts für einen Master/Slave-Betrieb finden Sie in der Bedienungsanleitung.

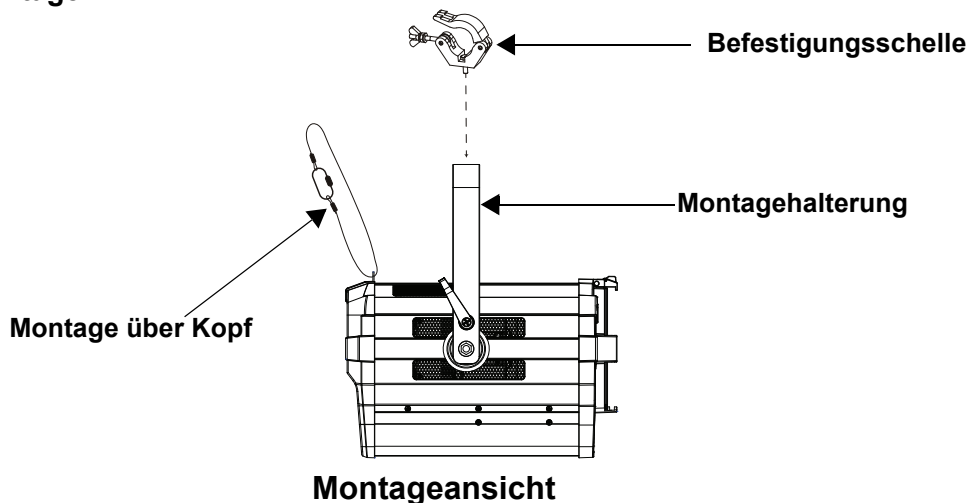
RDM (Remote Device Management)

Remote Device Management bzw. RDM ist ein Standard, mit dem DMX-aktivierte Geräte bidirektional entlang bestehender DMX-Kabel kommunizieren können. Der Ovation F-915FC unterstützt das RDM-Protokoll, über das Feedback zur Überwachung der Änderungen der Menüoptionen gegeben wird. Laden Sie für weiterführende Informationen unter www.chauvetprofessional.com das Benutzerhandbuch herunter.

Montage

Lesen Sie vor der Montage dieses Geräts die [Sicherheitshinweise](#). Mindestens einen Befestigungspunkt pro Gerät verwenden. Stellen Sie sicher, dass die Befestigungsklemmen dafür ausgelegt sind, das Produktgewicht tragen zu können. Informationen zu unserer CHAUVET-Produktlinie für Befestigungsklemmen finden Sie unter <http://trusst.com/productcategory/truss-clamps/>.

Ansicht Gerätemontage



Virtuelles Farbrad (VCW)

Der Ovation F-915FC verfügt über eine Funktion mit der Bezeichnung Virtuelles Farbrad (Virtual Color Wheel, VCW). Diese Funktion steht als Stand-alone-Steuerungsmodus für die manuelle Bedienung sowie als Steuerungskanal bei ausgewählten DMX-Eigenschaften zur Verfügung. Es sind mehr als 30 von unseren Technikern vorgemischte Farben verfügbar, um die Programmierung einfacher zu gestalten. Die zum Mischen dieser Farben verwendeten DMX-Werte sind nachstehend angegeben. Sie können die Gesamtintensität des Ovation anpassen, um die Farben, mit denen Sie vertraut sind, besser nachzubilden. Auf unserer Website www.chauvetprofessional.com finden Sie eine Tabelle, mit deren Hilfe Sie unsere vorgemischten Farben mit beliebigen Gel-Farben vergleichen können. Diese Tabelle dient einzig Vergleichszwecken und ist keine Gewähr dafür, dass unsere vorgemischten Farben mit einer der aufgeführten Gel-Farben übereinstimmen.

Tabelle: Virtuelles Farbrad

| DMX-Kanal-Wert | Anzeige auf Display | Roter Wert | Grüner Wert | Blauer Wert | Bernsteinfarbener Wert | Neongrüner Wert |
|----------------|-----------------------------|------------|-------------|-------------|------------------------|-----------------|
| 000 ⇄ 005 | -- | 000 | 000 | 000 | 000 | 000 |
| 006 ⇄ 013 | C3050 - Md Yellow | 233 | 163 | 020 | 123 | 255 |
| 014 ⇄ 021 | C3040 - Lt Yellow | 224 | 158 | 047 | 255 | 231 |
| 022 ⇄ 028 | C3240 - Amb Yellow | 180 | 060 | 000 | 245 | 255 |
| 029 ⇄ 035 | C2340 - V Lt Amber | 245 | 107 | 081 | 255 | 213 |
| 036 ⇄ 043 | C2040 - Lt Amber | 230 | 130 | 062 | 255 | 155 |
| 044 ⇄ 051 | C2050 - Md Amber | 255 | 000 | 025 | 255 | 194 |
| 052 ⇄ 059 | C2060 - Dk Amber | 255 | 000 | 024 | 255 | 150 |
| 060 ⇄ 067 | C1050 - Lt Red | 255 | 037 | 027 | 030 | 038 |
| 068 ⇄ 075 | C1080 - Md Red | 255 | 004 | 017 | 000 | 000 |
| 076 ⇄ 083 | C1020 - NC Pink | 238 | 135 | 129 | 255 | 255 |
| 084 ⇄ 091 | C1030 - Md Pink | 255 | 131 | 120 | 255 | 195 |
| 092 ⇄ 099 | C1630 - Dk Pink | 255 | 165 | 123 | 255 | 210 |
| 100 ⇄ 107 | C1250 - Md Red Amber | 255 | 000 | 041 | 195 | 055 |
| 108 ⇄ 115 | C1060 - Dk Red Amber | 255 | 000 | 045 | 120 | 030 |
| 116 ⇄ 121 | C1650 - Magenta | 255 | 050 | 115 | 255 | 115 |
| 122 ⇄ 130 | C6170 - Dk Magenta | 255 | 035 | 117 | 000 | 000 |
| 131 ⇄ 138 | C6020 - Lt Lavender | 127 | 122 | 142 | 251 | 255 |
| 139 ⇄ 146 | C5030 - Lt Blue | 000 | 255 | 197 | 100 | 255 |
| 147 ⇄ 154 | C5020 - V Lt Blue | 158 | 255 | 189 | 000 | 255 |
| 155 ⇄ 162 | C5430 - Lt Blue 2 | 000 | 255 | 180 | 000 | 243 |
| 163 ⇄ 170 | C5070 - Blue | 043 | 255 | 210 | 043 | 036 |
| 171 ⇄ 178 | C5050 - Md Blue | 000 | 255 | 218 | 000 | 181 |
| 179 ⇄ 186 | C5060 - Dk Blue | 000 | 210 | 206 | 000 | 118 |
| 187 ⇄ 194 | C5690 - Indigo | 065 | 000 | 210 | 040 | 055 |
| 195 ⇄ 202 | C5080 - V Dk Blue | 000 | 203 | 230 | 000 | 040 |
| 203 ⇄ 210 | C5081 - V Dk Blue2 | 040 | 199 | 240 | 000 | 045 |
| 211 ⇄ 218 | C4370 - Yel Green | 027 | 255 | 028 | 016 | 104 |
| 219 ⇄ 226 | C4070 - Green | 049 | 255 | 055 | 120 | 090 |
| 227 ⇄ 234 | C4550 - Turquoise | 060 | 230 | 109 | 000 | 245 |
| 235 ⇄ 242 | C4560 - Aqua | 020 | 240 | 126 | 036 | 255 |
| 243 ⇄ 250 | C4570 - Blue Green | 000 | 255 | 079 | 030 | 053 |
| 251 ⇄ 255 | -- | 000 | 000 | 000 | 000 | 000 |



Hinweis: Die oben genannten Farben sind simulierte Ähnlichkeiten der Farbausgabe im Vergleich zu anderen, ähnlich weißglühenden Produkten. Chauvet gibt keine Gewährleistung bezüglich der Genauigkeit der Farbausgabe.

Farbtemperatur-Tabelle

| DMX-Kanal-Wert | Anzeige auf Display | Roter Wert | Grüner Wert | Blauer Wert | Bernsteinfarbener Wert | Neongrüner Wert |
|----------------|---------------------|------------|-------------|-------------|------------------------|-----------------|
| 000 ⇄ 005 | -- | 000 | 000 | 000 | 000 | 000 |
| 006 ⇄ 025 | 2800K | 237 | 120 | 036 | 255 | 255 |
| 026 ⇄ 050 | 3000K | 220 | 128 | 050 | 255 | 255 |
| 051 ⇄ 075 | 3200K | 176 | 128 | 057 | 255 | 255 |
| 076 ⇄ 100 | 3500K | 154 | 128 | 080 | 255 | 255 |
| 101 ⇄ 125 | 4000K | 128 | 128 | 112 | 255 | 255 |
| 126 ⇄ 150 | 4500K | 108 | 128 | 133 | 255 | 255 |
| 151 ⇄ 175 | 5000K | 097 | 128 | 152 | 255 | 255 |
| 176 ⇄ 200 | 5600K | 087 | 128 | 170 | 255 | 255 |
| 201 ⇄ 225 | 6000K | 075 | 128 | 177 | 255 | 255 |
| 226 ⇄ 250 | 6500K | 066 | 128 | 187 | 255 | 255 |
| 251 ⇄ 255 | -- | 000 | 000 | 000 | 000 | 000 |



Hinweis: Die oben genannten Farbtemperaturen sind simulierte Ähnlichkeiten der Farbausgabe im Vergleich zu einer Wolframlampe mit spezifizierter Farbtemperatur. Chauvet gibt keine Gewährleistung bezüglich der Genauigkeit der Farbausgabe.

Descripción del Panel de Control

| Taste | Funktion |
|---------------------|--|
| <MENU> | Damit verlassen Sie das aktuelle Menü oder die Funktion. |
| <ENTER> | Damit wird das aktuell angezeigte Menü aktiviert oder der aktuell ausgewählte Wert einer Funktion eingestellt |
| <UP> | Damit navigieren Sie sich durch die Menüpunkte nach oben und erhöhen den numerischen Wert der entsprechenden Funktion. |
| <DOWN> | Damit navigieren Sie sich durch die Menüpunkte nach unten und verringern den numerischen Wert der entsprechenden Funktion. |
| <Color Temperature> | Drücken und drehen Sie dieses Bedienelement zur Auswahl der Farbtemperatur |
| <Dimmer> | Drücken und drehen Sie dieses Bedienelement zum Erhöhen oder Senken der Dimmung |
| <Zoom> | Drücken und drehen Sie dieses Bedienelement zum Vergrößern oder Verkleinern des Zoom |

Menüstruktur

| Hauptebene | Programmirebenen | | Beschreibung |
|--------------------|------------------|--|---|
| DMX Address | Address | 001–512* | Wählt die DMX-Adresse aus (*der höchste Kanal ist auf die gewählte Eigenschaft beschränkt) |
| DMX Channel | 1Ch | Virtual Color Wheel | 1 Kanal: Dimmer |
| | | Color Temperature | |
| | | Manual Color Mixer | |
| | | 3Ch | 3 Kanal: Dimmer, Virtuelles Farbrad, Farbtemperatur |
| | | 5Ch | 5 Kanal: RGBAL |
| | | 7Ch | 7 Kanal: RGBAL, Dimmer, Stroboskopeffekt |
| | | 11Ch | 11 Kanal: 16-bit Dimmer, RGBAL, Virtuelles Farbrad, Farbtemperatur, Stroboskopeffekt |
| | | 13Ch | 13 Kanal: 16-bit RGBAL und Dimmer, Stroboskopeffekt |
| | | 14Ch | 14 Kanal: Dimmer, RGBAL, Virtuelles Farbrad, Farbtemperatur, Stroboskopeffekt, Auto-programm, Auto-Geschwindigkeit, , Zoom, Motor zurücksetzen, Rotverschiebung |
| | 18Ch | 18 Kanal: 16-bit RGBAL und Dimmer, Stroboskopeffekt, Virtuelles Farbrad, Farbtemperatur, Zoom, Motor zurücksetzen, Steuerung | |
| | HSV | 3 Kanal: Farbton, Farbsättigung, Farbwert | |

| Hauptebene | Programmirebenen | | Beschreibung | |
|---------------------|---------------------|---|---|--|
| Virtual Color Wheel | Virtual Color Wheel | C3050 - Md Yellow C3040 - Lt Yellow C3240 - Amb Yellow C2340 - VLt Amber C2040 - Lt Amber C2050 - Md Amber C2060 - Dk Amber C1050 - Lt Red C1080 - Md Red C1020 - NC Pink C1030 - Md Pink C1630 - Dk Pink C1250 - Md Red Amber C1060 - Dk Red Amber C1650 - Magenta C6170 - Dk Magenta C6020 - Lt Lavender C5030 - Lt Blue C5020 - VLt Blue C5430 - Lt Blue 2 C5070 - Blue C5050 - Md Blue C5060 - Dk Blue C5690 - Indigo C5080 - VDk Blue C5081 - VDk Blue 2 C4370 - Yel Green C4070 - Green C4550 - Turquoise C4560 - Aqua C4570 - Blue Green | Dimmer 0–255 | Das Virtuelle Farbrad simuliert die Ausgabe jeder Gel-Farbe. Für spezifische Werte, siehe den Abschnitt Tabelle: Virtuelles Farbrad . |
| | Color Temperature | 2800K 3000K 3200K 3500K 4000K 4500K 5000K 5600K 6000K 6500K | Dimmer 0–255 | Voreinstellung der weißen Farbtemperaturen. Bildet eine Wolframlampe mit der spezifizierten Farbtemperatur ab. Für spezifische Werte, siehe den Abschnitt Farbtemperatur-Tabelle . |
| | Manual Color Mixer | Red Green Blue Amber Lime | 0–255 | Kombiniert rote, grün, blaue, bernsteinfarbene un neongrüne Farben zu einer benutzerdefinierten Farbe (0–100%) |
| Auto Show | Auto 1–5 | 1–100 | Wähl das Auto-Programm und die Programm-Geschwindigkeit aus | |
| Zoom | 0–255 | | Zur Steuerung des Zoom | |
| Red Shift | On | | Ahmt die Dimmung einer Halogenlampe nach | |
| | Off | | | |
| Master/ Slave | Master | | Empfängt DMX-Signal vom DMX-Controller (Master) | |
| | Slave | | Empfängt das DMX-Signal vom Master-Gerät | |

| Hauptebene | Programmirebenen | | Beschreibung |
|---------------------|------------------|--|--|
| Dimmer Curve | S-Curve | | Stellt die Dimmungskurve ein |
| | Linear | | |
| Dimmer Mode | Square | | Linearer Dimmer |
| | Inverse Square | | |
| White Balance | Off | | Verwendet die werksseitig voreingestellte Standardeinstellung "Weiß" |
| | Manual | Dimmer 1–3 | |
| 125–255 | | Red | Stellt den maximalen Wert der Roten LED ein |
| | | Green | Stellt den maximalen Wert der Grün LED ein |
| | | Blue | Stellt den maximalen Wert der Blau LED ein |
| | | Amber | Stellt den maximalen Wert der Bernsteinfarbenen LED ein |
| | Lime | Stellt den maximalen Wert der Neongrün LED ein | |
| LED Frequency | 600Hz | | Stellt die PWM-Frequenz ein |
| | 1200Hz | | |
| Fan Mode | 2000Hz | | Stellt den Lüfter auf den Auto-Modus ein |
| | 4000Hz | | |
| Back Light | 6000Hz | | Stellt den Lüfter auf den "immer eingeschaltet"-Modus ein |
| | 25KHz | | |
| Information | Auto | | Stellt den Lüfter auf den "immer eingeschaltet"-Modus ein |
| | On | | Setzt den Lüfter auf immer aus |
| Reset Zoom w/ Power | Off | | Stellt den Lüfter auf lautlos |
| | Silent | | Damit wird die Hintergrundbeleuchtung der Anzeige nach 10 Sekunden Inaktivität ausgeschaltet |
| Factory Reset | 10S | | Damit wird die Hintergrundbeleuchtung der Anzeige nach 30 Sekunden Inaktivität ausgeschaltet |
| | 30S | | Damit wird die Hintergrundbeleuchtung der Anzeige nach 2 Minuten Inaktivität ausgeschaltet |
| Information | 2Min | | Hintergrundbeleuchtung immer an |
| | Always On | | Zeigt an, wie lange das Gerät eingeschaltet gewesen ist |
| Factory Reset | Fixture Hours | | Zeigt die gesamten LED-Stunden an |
| | LED Hours | | Zeigt die aktuelle Firmware-Version an |
| Factory Reset | Version | | Zeigt die Geräte-UID an |
| | UID | | Hält den Zoom in der letzten Position, wenn das Gerät eingeschaltet wird |
| Factory Reset | No | | Setzt den Zoom auf die Startposition zurück, wenn das Gerät eingeschaltet wird |
| | Yes | | Damit stellen Sie das Gerät auf die Werkseinstellungen zurück |



WARNUNG: Wenn Sie im Lüftermodus arbeiten: Aus, wird das Gerät bei Berührung heißer als bei Verwendung anderer Lüftermodi. Verwenden Sie geeignete Schutzausrüstung, um Verbrennungen zu vermeiden. Halten Sie einen Sicherheitsabstand zu brennbaren Gegenständen ein.



HINWEIS: Im Lüftermodus: Aus wird der Ausgang des Geräts reduziert und erreicht nicht die gleichen Pegel wie bei Verwendung anderer Lüftermodi.

DMX-Werte
18Ch

| Kanal | Funktion | Wert | Prozent/Einstellung |
|-----------|---|-----------|---|
| 1 | Dimmer | 000 ⇔ 255 | 0–100% |
| 2 | Feine Dimmer | 000 ⇔ 255 | 0–100% |
| 3 | Rot | 000 ⇔ 255 | 0–100% |
| 4 | Feine rot | 000 ⇔ 255 | 0–100% |
| 5 | Grün | 000 ⇔ 255 | 0–100% |
| 6 | Feine grün | 000 ⇔ 255 | 0–100% |
| 7 | Blau | 000 ⇔ 255 | 0–100% |
| 8 | Fein blau | 000 ⇔ 255 | 0–100% |
| 9 | Bernsteinfarben | 000 ⇔ 255 | 0–100% |
| 10 | Feine bernsteinfarben | 000 ⇔ 255 | 0–100% |
| 11 | Neongrün | 000 ⇔ 255 | 0–100% |
| 12 | Feine neongrün | 000 ⇔ 255 | 0–100% |
| 13 | Stroboskop | 000 ⇔ 010 | Keine Funktion |
| | | 011 ⇔ 255 | Stroboskopeffekt, langsam bis schnell |
| 14 | Virtuelles Farbrad | 000 ⇔ 255 | Siehe Tabelle: Virtuelles Farbrad |
| 15 | Farbtemperatur | 000 ⇔ 255 | Siehe Farbtemperatur-Tabelle |
| 16 | Zoom | 000 ⇔ 255 | Eng bis weit |
| 17 | Motor zurücksetzen | 000 ⇔ 200 | Keine Funktion |
| | | 201 ⇔ 220 | Motorzurücksetzung |
| | | 221 ⇔ 255 | Keine Funktion |
| 18 | Steuerung (3 Sekunden gedrückt halten) | 000 ⇔ 007 | Keine Funktion |
| | | 008 ⇔ 015 | Dimmer reset |
| | | 016 ⇔ 023 | Rotverschiebung an |
| | | 024 ⇔ 031 | Rotverschiebung aus |
| | | 032 ⇔ 039 | S-Kurve Dimmerkurve |
| | | 040 ⇔ 047 | Lineare Dimmerkurve |
| | | 048 ⇔ 055 | Quadratische Dimmerkurve |
| | | 056 ⇔ 063 | Inverse quadratische Dimmerkurve |
| | | 064 ⇔ 071 | Dimmer-Geschwindigkeitsmodus aus |
| | | 072 ⇔ 079 | Dimmer-Geschwindigkeitsmodus 1 |
| | | 080 ⇔ 087 | Dimmer-Geschwindigkeitsmodus 2 |
| | | 088 ⇔ 095 | Dimmer-Geschwindigkeitsmodus 3 |
| | | 096 ⇔ 103 | Fan-Auto |
| 104 ⇔ 111 | Lüfter an | | |
| 112 ⇔ 119 | Lüfter aus | | |
| 120 ⇔ 127 | Lüfter leise | | |
| 128 ⇔ 255 | Keine Funktion (reserviert) | | |

14Ch

| Kanal | Funktion | Wert | Prozent/Einstellung |
|-------|--------------------|-----------|---|
| 1 | Dimmer | 000 ⇔ 255 | 0–100% |
| 2 | Rot | 000 ⇔ 255 | 0–100% |
| 3 | Grün | 000 ⇔ 255 | 0–100% |
| 4 | Blau | 000 ⇔ 255 | 0–100% |
| 5 | Bernsteinfarben | 000 ⇔ 255 | 0–100% |
| 6 | Neongrün | 000 ⇔ 255 | 0–100% |
| 7 | Stroboskop | 000 ⇔ 010 | Keine Funktion |
| | | 011 ⇔ 255 | Stroboskopeffekt, langsam bis schnell |
| 8 | Virtuelles Farbrad | 000 ⇔ 255 | Siehe Tabelle: Virtuelles Farbrad |
| 9 | Farbtemperatur | 000 ⇔ 255 | Siehe Farbtemperatur-Tabelle |

| Kanal | Funktion | Wert | Prozent/Einstellung |
|-----------|---|-----------|----------------------------------|
| 10 | Auto-Programme | 000 ⇔ 010 | Keine Funktion |
| | | 011 ⇔ 060 | Autoprogramm 1 |
| | | 061 ⇔ 110 | Autoprogramm 2 |
| | | 111 ⇔ 160 | Autoprogramm 3 |
| | | 161 ⇔ 210 | Autoprogramm 4 |
| | | 211 ⇔ 255 | Autoprogramm 5 |
| 11 | Auto-Geschwindigkeit | 000 ⇔ 255 | 0–100% |
| 12 | Steuerung (3 Sekunden gedrückt halten) | 000 ⇔ 007 | Keine Funktion |
| | | 008 ⇔ 015 | Dimmer reset |
| | | 016 ⇔ 023 | Rotverschiebung an |
| | | 024 ⇔ 031 | Rotverschiebung aus |
| | | 032 ⇔ 039 | S-Kurve Dimmerkurve |
| | | 040 ⇔ 047 | Lineare Dimmerkurve |
| | | 048 ⇔ 055 | Quadratische Dimmerkurve |
| | | 056 ⇔ 063 | Inverse quadratische Dimmerkurve |
| | | 064 ⇔ 071 | Dimmer-Geschwindigkeitsmodus aus |
| | | 072 ⇔ 079 | Dimmer-Geschwindigkeitsmodus 1 |
| | | 080 ⇔ 087 | Dimmer-Geschwindigkeitsmodus 2 |
| | | 088 ⇔ 095 | Dimmer-Geschwindigkeitsmodus 3 |
| | | 096 ⇔ 103 | Fan-Auto |
| | | 104 ⇔ 111 | Lüfter an |
| 112 ⇔ 119 | Lüfter aus | | |
| 120 ⇔ 127 | Lüfter leise | | |
| 128 ⇔ 255 | Keine Funktion (reserviert) | | |
| 13 | Zoom | 000 ⇔ 255 | Eng bis weit |
| 14 | Motor zurücksetzen | 000 ⇔ 200 | Keine Funktion |
| | | 201 ⇔ 220 | Motorzurücksetzung |
| | | 221 ⇔ 255 | Keine Funktion |

13Ch

| Kanal | Funktion | Wert | Prozent/Einstellung |
|-------|-----------------------|-----------|---------------------------------------|
| 1 | Dimmer | 000 ⇔ 255 | 0–100% |
| 2 | Feine Dimmer | 000 ⇔ 255 | 0–100% |
| 3 | Rot | 000 ⇔ 255 | 0–100% |
| 4 | Feine rot | 000 ⇔ 255 | 0–100% |
| 5 | Grün | 000 ⇔ 255 | 0–100% |
| 6 | Feine grün | 000 ⇔ 255 | 0–100% |
| 7 | Blau | 000 ⇔ 255 | 0–100% |
| 8 | Fein blau | 000 ⇔ 255 | 0–100% |
| 9 | Bernsteinfarben | 000 ⇔ 255 | 0–100% |
| 10 | Feine bernsteinfarben | 000 ⇔ 255 | 0–100% |
| 11 | Neongrün | 000 ⇔ 255 | 0–100% |
| 12 | Feine neongrün | 000 ⇔ 255 | 0–100% |
| 13 | Stroboskop | 000 ⇔ 010 | Keine Funktion |
| | | 011 ⇔ 255 | Stroboskopeffekt, langsam bis schnell |

11Ch

| Kanal | Funktion | Wert | Prozent/Einstellung |
|-------|--------------------|------------------------|---|
| 1 | Dimmer | 000 ⇔ 255 | 0–100% |
| 2 | Feine Dimmer | 000 ⇔ 255 | 0–100% |
| 3 | Rot | 000 ⇔ 255 | 0–100% |
| 4 | Grün | 000 ⇔ 255 | 0–100% |
| 5 | Blau | 000 ⇔ 255 | 0–100% |
| 6 | Bernsteinfarben | 000 ⇔ 255 | 0–100% |
| 7 | Neongrün | 000 ⇔ 255 | 0–100% |
| 8 | Stroboskop | 000 ⇔ 010 011 ⇔ 255 | Keine Funktion Stroboskopeffekt, langsam bis schnell |
| 9 | Virtuelles Farbrad | 000 ⇔ 255 | Siehe Tabelle: Virtuelles Farbrad |
| 10 | Farbtemperatur | 000 ⇔ 255 | Siehe Farbtemperatur-Tabelle |
| 11 | Zoom | 000 ⇔ 255 | Eng bis weit |

7Ch

| Kanal | Funktion | Wert | Prozent/Einstellung |
|-------|-----------------|------------------------|---|
| 1 | Dimmer | 000 ⇔ 255 | 0–100% |
| 2 | Rot | 000 ⇔ 255 | 0–100% |
| 3 | Grün | 000 ⇔ 255 | 0–100% |
| 4 | Blau | 000 ⇔ 255 | 0–100% |
| 5 | Bernsteinfarben | 000 ⇔ 255 | 0–100% |
| 6 | Neongrün | 000 ⇔ 255 | 0–100% |
| 7 | Stroboskop | 000 ⇔ 010 011 ⇔ 255 | Keine Funktion Stroboskopeffekt, langsam bis schnell |

5Ch

| Kanal | Funktion | Wert | Prozent/Einstellung |
|-------|-----------------|-----------|---------------------|
| 1 | Rot | 000 ⇔ 255 | 0–100% |
| 2 | Grün | 000 ⇔ 255 | 0–100% |
| 3 | Blau | 000 ⇔ 255 | 0–100% |
| 4 | Bernsteinfarben | 000 ⇔ 255 | 0–100% |
| 5 | Neongrün | 000 ⇔ 255 | 0–100% |

3Ch

| Kanal | Funktion | Wert | Prozent/Einstellung |
|-------|--------------------|-----------|---|
| 1 | Dimmer | 000 ⇔ 255 | 0–100% |
| 2 | Virtuelles Farbrad | 000 ⇔ 255 | Siehe Tabelle: Virtuelles Farbrad |
| 3 | Farbtemperatur | 000 ⇔ 255 | Siehe Farbtemperatur-Tabelle |

1Ch

| Kanal | Funktion | Wert | Prozent/Einstellung |
|-------|----------|-----------|---------------------|
| 1 | Dimmer | 000 ⇔ 255 | 0–100% |

HSV

| Kanal | Funktion | Wert | Prozent/Einstellung |
|-------|---------------|-----------|---------------------|
| 1 | Farbton | 000 ⇔ 255 | 0–100% |
| 2 | Farbsättigung | 000 ⇔ 255 | 0–100% |
| 3 | Farbwert | 000 ⇔ 255 | 0–100% |

Over deze handleiding

De Ovation F-915FC Beknopte Handleiding (BH) bevat basisinformatie over het product, zoals aansluiting, montage, menu-opties en DMX-waarden. Download de gebruikershandleiding op www.chauvetprofessional.com voor meer informatie.

Disclaimer

De informatie en specificaties in deze BH kunnen zonder voorafgaande kennisgeving worden gewijzigd.

BEPERKTE GARANTIE

GA NAAR ONZE WEBSITE VOOR REGISTRATIE VAN DE GARANTIE EN DE VOLLEDIGE ALGEMENE VOORWAARDEN.

Voor klanten in de Verenigde Staten en Mexico: www.chauvetlighting.com/warranty-registration.

Voor klanten in het Verenigd Koninkrijk, Ierland, België, Nederland, Luxemburg, Frankrijk en Duitsland: www.chauvetlighting.eu/warranty-registration/.

Chauvet garandeert dat dit product bij normaal gebruik vrij zal blijven van defecten in materiaal en vakmanschap, voor de opgegeven periode en onder voorbehoud van de uitzonderingen en beperkingen die zijn uiteengezet in de volledige beperkte garantie op onze website. Deze garantie geldt uitsluitend voor de oorspronkelijke koper van het product en is niet overdraagbaar. Om onder deze garantie rechten uit te oefenen, moet u een aankoopbewijs overleggen in de vorm van een origineel verkoopbewijs van een geautoriseerde dealer, waarop de naam van het product en de aankoopdatum zichtbaar zijn. ER ZIJN GEEN ANDERE EXPLICIETE OF IMPLICIETE GARANTIES. Deze garantie geeft u specifieke wettelijke rechten. Mogelijk heeft u ook andere rechten die van staat tot staat en van land tot land verschillen. Deze garantie is uitsluitend geldig in de Verenigde Staten, het Verenigd Koninkrijk, Ierland, België, Nederland, Luxemburg, Frankrijk, Duitsland en Mexico. Neem contact op met uw lokale verkoper voor garantievoorwaarden in andere landen.

Veiligheidsinstructies

- Open het product NIET. Het bevat geen te onderhouden onderdelen.
- KLIJK NIET in de lichtbron wanneer het apparaat is ingeschakeld.
- Gebruik dit product NIET buitenshuis of op een locatie waar stof, grote warmte, water of vochtigheid het kunnen beïnvloeden (IP20).
- Plaats geen ontvlambaar materiaal binnen 50 cm van dit product als het in gebruik is of is aangesloten op het stopcontact.
- Gebruik dit product NIET als de behuizing, lenzen of kabels beschadigd lijken.
- Sluit dit product NIET aan op een dimmer of een regelweerstand.
- LET OP: De behuizing van dit product kan heet zijn wanneer het in bedrijf is.
- LET OP: Bij het verplaatsen van het product uit extreme omgevingen, (bijv. koude vrachtwagen naar warme, vochtige balzaal) kan er condensvorming optreden op de elektronica van het product. Om storingen te vermijden moet het product volledig kunnen acclimatiseren aan de omgeving voordat het op stroom wordt aangesloten.
- GEBRUIK een veiligheidskabel bij het boven het hoofd plaatsen van dit product.
- Sluit dit product UITSLUITEND op een geaard en beveiligd stroomcircuit.
- Gebruik UITSLUITEND de ophang-/montagebeugel om dit product te dragen.
- Monteer dit product op een plek met voldoende ventilatie, ten minste 50 cm van de aangrenzende oppervlakken.
- Om onnodige slijtage te elimineren en zijn levensduur te verlengen, gedurende perioden wanneer het product niet wordt gebruikt, moet u het product van de stroom afsluiten door een aardlekschakelaar om te zetten of door het te ontkoppelen.
- Stop in het geval van ernstige operationele problemen onmiddellijk met het gebruik.
- De maximale omgevingstemperatuur bedraagt 45 °C. Gebruik dit product niet bij hogere temperaturen.

FCC-naleving

Dit apparaat voldoet aan Part 15 Part B van de FCC-regels. Het gebruik is onderworpen aan de volgende twee voorwaarden:

1. Dit apparaat mag geen schadelijke interferentie veroorzaken, en
2. Dit apparaat moet enige ontvangen interferentie accepteren, inclusief interferentie die een ongewenste werking kan veroorzaken.

Eventuele wijzigingen of aanpassingen die niet uitdrukkelijk door de voor naleving verantwoordelijke partij zijn goedgekeurd, kan de bevoegdheid van de gebruiker om de apparatuur te bedienen ongeldig verklaren.

Contact

Van buiten de VS, Verenigd Koninkrijk, Ierland, Benelux, Frankrijk, Duitsland of Mexico kunt u contact opnemen met de distributeur of om ondersteuning vragen dan wel het product retourneren. Ga naar [Contact Us](#) voor contactinformatie.

Wat is inbegrepen

- Ovation F-915FC
- Neutrik® powerCON® stroomsnoer
- Gelframe (191 mm/7,5 in accessoires)
- Beknopte handleiding

AC-stroom

Dit product heeft een voeding met automatisch bereik die werkt met een ingangsspanning van 100–240 VAC, 50/60 Hz.

Power Linking

U kunt tot 6 Ovation F-915FC-producten koppelen bij 120 V, 10 producten bij 230 V, 12 producten bij 230 V. Dit aantal niet overschrijden. Power Linking-snoeren kunnen apart aangeschaft worden.

AC-stekker

| Aansluiting | Snoer (VS) | Snoer (Europa) | Schroefkleur |
|-------------|------------|----------------|--------------|
| AC Live | Zwart | Bruin | Geel/messing |
| AC Neutraal | Wit | Blauw | Zilver |
| AC Aarde | Groen/geel | Groen/geel | Groen |



Om onnodige slijtage te elimineren en zijn levensduur te verlengen, gedurende perioden wanneer het product niet wordt gebruikt, moet u het product van de stroom afsluiten door een aardlekschakelaar om te zetten of door het te ontkoppelen.

De zekering vervangen

1. Ontkoppel dit product van de stroom.
2. Gebruik een kruiskopschroevendraaier nr. 2 en schroef de kap van de zekeringshouder los van de behuizing.
3. Verwijder de doorgebrande zekering en vervang het met een werkende zekering van hetzelfde type en met dezelfde waarde.
4. Schroef de kap van de zekeringhouder terug en steek de stekker er weer in.

DMX-koppeling

De Ovation F-915FC kan met een DMX-controller werken met een 3- and 5-pins DMX seriële verbinding. Op www.chauvetprofessional.com is een DMX basishandleiding verkrijgbaar.

DMX-aansluiting

De Ovation F-915FC gebruikt een 3- en 5-pins DMX-gegevensverbinding voor zijn DMX-persoonlijkheden: **1Ch, 3Ch, 5Ch, 7Ch, 11Ch, 13Ch, 14Ch, 18Ch** en **HSV**. Zie de gebruikershandleiding om te verbinden en te configureren voor DMX-werking.

Master/slave-verbinding

De Ovation F-915FC maakt gebruik van de DMX-dataverbinding voor haar Master-/Slave-modus. Zie de gebruikershandleiding om te verbinden en te configureren voor Master/Slave-werking.

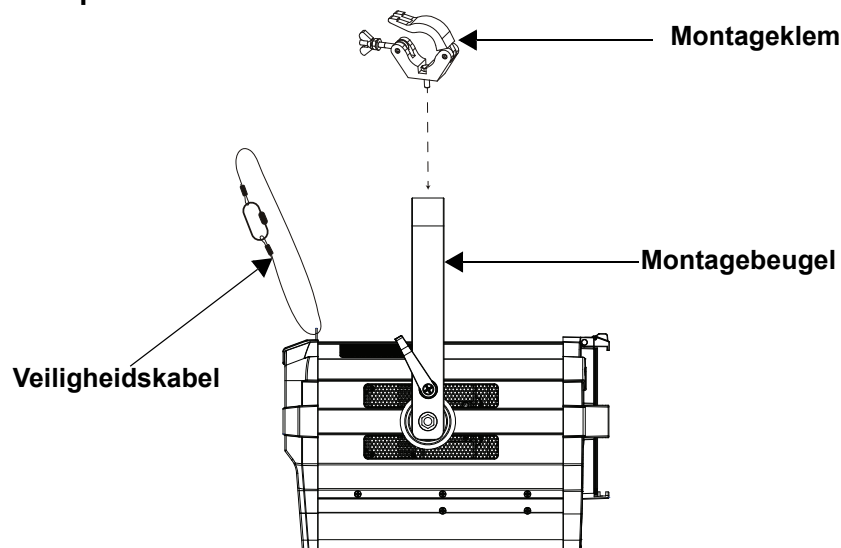
RDM (apparaatbeheer op afstand)

Remote Device Management of RDM (apparaatbeheer op afstand) is een standaard die het voor DMX-apparaten mogelijk maakt om in twee richtingen te communiceren over bestaande DMX-kabels. De Ovation F-915FC ondersteunt het RDM-protocol dat zorgt feedback toelaat bij de bewaking van wijzigingen aan de menu map-opties van. Download de gebruikershandleiding op www.chauvetprofessional.com voor meer informatie.

Montage

Lees alvorens dit product te monteren alle [Veiligheidsinstructies](#). Controleer of de montageklem het gewicht van het product kan dragen. Ga voor onze Chauvet-serie montageklemmen naar <http://trusst.com/productcategory/truss-clamps/>.

Montagediagram van het product



Montage boven het hoofd

Virtueel kleurenwiel

De Ovation F-915FC ibevat een functie, genaamd het virtuele kleurenwiel (Virtual Color Wheel, VCW). Deze functie is beschikbaar als een losstaande bedieningsmodus voor handmatig gebruik en ook als een bedieningskanaal in de geselecteerde DMX-persoonlijkheden van de producten. Voor eenvoudiger programmering zijn er meer dan 30 voorgemengde kleuren beschikbaar die speciaal door onze technici zijn samengesteld.

De DMX-waarden die worden gebruikt voor het mengen van deze kleuren staan hieronder vermeld. U kunt de algehele intensiteit van het Ovation-armatuur aanpassen om de kleuren waarmee u bekend bent beter na te bootsen. Op onze website www.chauvetprofessional.com is een tabel beschikbaar om onze voorgemengde kleuren te vergelijken met populaire gelkleuren. Deze grafiek is uitsluitend bedoeld voor vergelijkingsdoeleinden en vormt geen garantie dat onze voorgemengde kleuren overeenkomen met de vermelde gelkleuren.

Kleurenkaart

| DMX-kanaalwaarde | Weergave op het display | Rode waarde | Groene waarde | Blaauwe waarde | Gele waarde | Lime waarde |
|------------------|-----------------------------|-------------|---------------|----------------|-------------|-------------|
| 000 ⇔ 005 | -- | 000 | 000 | 000 | 000 | 000 |
| 006 ⇔ 013 | C3050 - Md Yellow | 233 | 163 | 020 | 123 | 255 |
| 014 ⇔ 021 | C3040 - Lt Yellow | 224 | 158 | 047 | 255 | 231 |
| 022 ⇔ 028 | C3240 - Amb Yellow | 180 | 060 | 000 | 245 | 255 |
| 029 ⇔ 035 | C2340 - V Lt Amber | 245 | 107 | 081 | 255 | 213 |
| 036 ⇔ 043 | C2040 - Lt Amber | 230 | 130 | 062 | 255 | 155 |
| 044 ⇔ 051 | C2050 - Md Amber | 255 | 000 | 025 | 255 | 194 |
| 052 ⇔ 059 | C2060 - Dk Amber | 255 | 000 | 024 | 255 | 150 |
| 060 ⇔ 067 | C1050 - Lt Red | 255 | 037 | 027 | 030 | 038 |
| 068 ⇔ 075 | C1080 - Md Red | 255 | 004 | 017 | 000 | 000 |
| 076 ⇔ 083 | C1020 - NC Pink | 238 | 135 | 129 | 255 | 255 |
| 084 ⇔ 091 | C1030 - Md Pink | 255 | 131 | 120 | 255 | 195 |
| 092 ⇔ 099 | C1630 - Dk Pink | 255 | 165 | 123 | 255 | 210 |
| 100 ⇔ 107 | C1250 - Md Red Amber | 255 | 000 | 041 | 195 | 055 |
| 108 ⇔ 115 | C1060 - Dk Red Amber | 255 | 000 | 045 | 120 | 030 |
| 116 ⇔ 121 | C1650 - Magenta | 255 | 050 | 115 | 255 | 115 |
| 122 ⇔ 130 | C6170 - Dk Magenta | 255 | 035 | 117 | 000 | 000 |
| 131 ⇔ 138 | C6020 - Lt Lavender | 127 | 122 | 142 | 251 | 255 |
| 139 ⇔ 146 | C5030 - Lt Blue | 000 | 255 | 197 | 100 | 255 |
| 147 ⇔ 154 | C5020 - V Lt Blue | 158 | 255 | 189 | 000 | 255 |
| 155 ⇔ 162 | C5430 - Lt Blue 2 | 000 | 255 | 180 | 000 | 243 |
| 163 ⇔ 170 | C5070 - Blue | 043 | 255 | 210 | 043 | 036 |
| 171 ⇔ 178 | C5050 - Md Blue | 000 | 255 | 218 | 000 | 181 |
| 179 ⇔ 186 | C5060 - Dk Blue | 000 | 210 | 206 | 000 | 118 |
| 187 ⇔ 194 | C5690 - Indigo | 065 | 000 | 210 | 040 | 055 |
| 195 ⇔ 202 | C5080 - V Dk Blue | 000 | 203 | 230 | 000 | 040 |
| 203 ⇔ 210 | C5081 - V Dk Blue2 | 040 | 199 | 240 | 000 | 045 |
| 211 ⇔ 218 | C4370 - Yel Green | 027 | 255 | 028 | 016 | 104 |
| 219 ⇔ 226 | C4070 - Green | 049 | 255 | 055 | 120 | 090 |
| 227 ⇔ 234 | C4550 - Turquoise | 060 | 230 | 109 | 000 | 245 |
| 235 ⇔ 242 | C4560 - Aqua | 020 | 240 | 126 | 036 | 255 |
| 243 ⇔ 250 | C4570 - Blue Green | 000 | 255 | 079 | 030 | 053 |
| 251 ⇔ 255 | -- | 000 | 000 | 000 | 000 | 000 |



Let op: De kleuren hierboven zijn gesimuleerde waargaven van de kleurenitvoer die zijn geproduceerd, in vergelijking met de andere gelijksoortige lichtproducten. Chauvet geeft geen garantie over de nauwkeurigheid van de kleuropbrengst.

Kleurtemperatuur-kaart

| DMX-kanaalwaarde | Weergave op het display | Rode waarde | Groene waarde | Blaauwe waarde | Gele waarde | Lime waarde |
|------------------|-------------------------|-------------|---------------|----------------|-------------|-------------|
| 000 ⇔ 005 | -- | 000 | 000 | 000 | 000 | 000 |
| 006 ⇔ 025 | 2800K | 237 | 120 | 036 | 255 | 255 |
| 026 ⇔ 050 | 3000K | 220 | 128 | 050 | 255 | 255 |
| 051 ⇔ 075 | 3200K | 176 | 128 | 057 | 255 | 255 |
| 076 ⇔ 100 | 3500K | 154 | 128 | 080 | 255 | 255 |
| 101 ⇔ 125 | 4000K | 128 | 128 | 112 | 255 | 255 |
| 126 ⇔ 150 | 4500K | 108 | 128 | 133 | 255 | 255 |
| 151 ⇔ 175 | 5000K | 097 | 128 | 152 | 255 | 255 |
| 176 ⇔ 200 | 5600K | 087 | 128 | 170 | 255 | 255 |
| 201 ⇔ 225 | 6000K | 075 | 128 | 177 | 255 | 255 |
| 226 ⇔ 250 | 6500K | 066 | 128 | 187 | 255 | 255 |
| 251 ⇔ 255 | -- | 000 | 000 | 000 | 000 | 000 |



Let op: De bovenstaande kleurtemperaturen zijn gesimuleerde weergaven van de geproduceerde kleuropbrengst, in vergelijking met een wolfram-lamp bij de opgegeven kleurtemperatuur. Chauvet geeft geen garantie over de nauwkeurigheid van de kleuropbrengst.

Beschrijving bedienings paneel

| Toets | Functie |
|---------------------|--|
| <MENU> | Sluit het huidige menu of functie af |
| <ENTER> | Activeert het huidige getoonde menu of plaatst de huidige geselecteerde waarde in de geselecteerde functie |
| <UP> | Navigeert omhoog via het menu of verhoogt de numerieke waarde wanneer in een functie |
| <DOWN> | Navigeert omlaag via het menu of verlaagt de numerieke waarde wanneer in een functie |
| <Color Temperature> | Eerst indrukken en daarna draaien om de selecteren de kleurtemperatuur |
| <Dimmer> | Eerst indrukken en daarna draaien om de dimmer te verhogen of te verlagen |
| <Zoom> | Eerst indrukken en daarna draaien om de zoom te verhogen of te verlagen |

Menu-map

| Hoofdniveau | Programmeerniveaus | | Beschrijving |
|--------------------|--|----------------------------|--|
| DMX Address | Address | 001-512* | Selecteert het start-adres (*hoogste kanaal beperkt tot de gekozen persoonlijkheid) |
| | | 1Ch | 1-kanaal: dimmer |
| DMX Channel | 1Ch | Virtual Color Wheel | 3-kanaal: dimmer, virtuele kleurenwiel, kleurtemperatuur |
| | | Color Temperature | |
| | | Manual Color Mixer | |
| | | 3Ch | 5-kanaal: RGBAL |
| | | 5Ch | 7-kanaal: dimmer, RGBAL, stroboscoop |
| | | 7Ch | 11-kanaal: 16-bit dimmer, RGBAL, virtuele kleurenwiel, kleurtemperatuur, stroboscoop |
| | | 11Ch | 13-kanaal: 16-bit RGBAL en dimmer, stroboscoop |
| | | 13Ch | 14-kanaal: RGBAL, dimmer, stroboscoop, virtuele kleurenwiel, kleurtemperatuur, automatische programma's, programmasnelheid, controle, zoom, motorreset |
| 14Ch | 18-kanaal: 16-bit RGBAL en dimmer, stroboscoop, virtuele kleurenwiel, kleurtemperatuur, zoom, motorreset, controle | | |
| 18Ch | 3-kanaal: tint, verzadiging, waarde | | |
| HSV | | | |

| Hoofdniveau | Programmeerniveaus | | Beschrijving | |
|---------------------|---------------------|---|---|---|
| Virtual Color Wheel | Virtual Color Wheel | C3050 - Md Yellow C3040 - Lt Yellow C3240 - Amb Yellow C2340 - VLt Amber C2040 - Lt Amber C2050 - Md Amber C2060 - Dk Amber C1050 - Lt Red C1080 - Md Red C1020 - NC Pink C1030 - Md Pink C1630 - Dk Pink C1250 - Md Red Amber C1060 - Dk Red Amber C1650 - Magenta C6170 - Dk Magenta C6020 - Lt Lavender C5030 - Lt Blue C5020 - VLt Blue C5430 - Lt Blue 2 C5070 - Blue C5050 - Md Blue C5060 - Dk Blue C5690 - Indigo C5080 - Vdk Blue C5081 - Vdk Blue 2 C4370 - Yel Green C4070 - Green C4550 - Turquoise C4560 - Aqua C4570 - Blue Green | Dimmer 0–255 | Het virtuele kleurenwiel simuleert de opbrengst van elke gelkleur. Raadpleeg de sectie Kleurenkaart voor specifieke waarden. |
| | Color Temperature | 2800K 3000K 3200K 3500K 4000K 4500K 5000K 5600K 6000K 6500K | Dimmer 0–255 | Vooringselste witte kleurtemperaturen. Emuleert een wolfram-lamp bij de opgegeven kleurtemperatuur. Raadpleeg de sectie Kleurtemperatuur-kaart voor specifieke waarden. |
| | Manual Color Mixer | Red Green Blue Amber Lime | 0–255 | Combineert rood, groen, blauw, amber en lime om een aangepaste kleur te genereren (0–100%) |
| Auto Show | Auto 1–5 | 1–100 | Selecteert automatische programma's en automatische programmasnelheid | |
| Zoom | 0–255 | | Controleert de zoom | |
| Red Shift | On | | Bootst halogeenlamp dimmen na | |
| | Off | | | |
| Master/ Slave | Master | | Ontvangt DMX-signalen van de DMX-controller | |
| | Slave | | Ontvangt DMX-signalen van de master | |

| Hoofdniveau | Programmeerniveaus | | Beschrijving | |
|---------------------|--|-------|---|--|
| Dimmer Curve | S-Curve Linear Square Inverse Square | | Stelt de dimcurve in | |
| | Off | | Lineaire dimmer | |
| Dimmer Mode | Dimmer 1–3 | | Selecteert dimprofielen van snel (Dimmer 1) tot langzaam (Dimmer 3) | |
| | Off | | Gebruikt standaard witte instelling | |
| White Balance | Manual | Red | Stelt de maximum waarde van de rood LED in | |
| | | Green | Stelt de maximum waarde van de groen LED in | |
| | | Blue | Stelt de maximum waarde van de blauw LED in | |
| | | Amber | Stelt de maximum waarde van de amber LED in | |
| | | Lime | Stelt de maximum waarde van de lime LED in | |
| LED Frequency | 600Hz 1200Hz 2000Hz 4000Hz 6000Hz 25KHz | | Selecteert de PWM-uitgangsfrequentie | |
| | Auto | | | Ingesteld de ventilator automatische modus |
| | On | | | Ingesteld de ventilator altijd aan modus |
| | Off | | | Ingesteld de ventilator altijd uit |
| | Silent | | | Ingesteld de ventilator stil |
| | 10S | | | Schakelt de backlight van de display uit na 10s van inactiviteit |
| Back Light | 30S | | Schakelt de backlight van de display uit na 30s van inactiviteit | |
| | 2Min | | Schakelt de backlight van de display uit na 2 min van inactiviteit | |
| | Always On | | De backlight van de display is altijd aan | |
| Information | Fixture Hours | ----H | Toont het totale aantal producturen | |
| | LED Hours | ----H | Toont het totaal aantal LED-uren | |
| | Version | V_._ | Toont de geïnstalleerde softwareversie | |
| | UID | ----- | Geeft de huidige UID | |
| Reset Zoom w/ Power | No | | Behoudt zoom in de laatste stand wanneer ingeschakeld | |
| | Yes | | Herstelt de zoom naar de beginpositie wanneer ingeschakeld | |
| Factory Reset | No | | Herstellen naar de fabrieksstandaard | |
| | Yes | | | |



WAARSCHUWING: Bij werking in de ventilatormodus: Uit, de armatuur wordt voelt warmer aan dan bij gebruik van andere ventilatormodi. Gebruik de juiste beschermende uitrusting om brandwonden te voorkomen. Houd een veilige afstand van brandbare voorwerpen.



LET OP: Bij werking in de ventilatormodus: Uit, uitvoer van de armatuur wordt verminderd en zal niet dezelfde niveaus bereiken als bij andere ventilatormodi.

NL

DMX-waarden

18Ch

| Kanaal | Functie | Waarde | Percentage/Instelling |
|--------|---|---|--|
| 1 | Dimmer | 000 ⇔ 255 | 0–100% |
| 2 | Fijn dimmer | 000 ⇔ 255 | 0–100% |
| 3 | Rood | 000 ⇔ 255 | 0–100% |
| 4 | Fijn rood | 000 ⇔ 255 | 0–100% |
| 5 | Groen | 000 ⇔ 255 | 0–100% |
| 6 | Fijn groen | 000 ⇔ 255 | 0–100% |
| 7 | Blauw | 000 ⇔ 255 | 0–100% |
| 8 | Fijn blauw | 000 ⇔ 255 | 0–100% |
| 9 | Amber | 000 ⇔ 255 | 0–100% |
| 10 | Fijn amber | 000 ⇔ 255 | 0–100% |
| 11 | Lime | 000 ⇔ 255 | 0–100% |
| 12 | Fijn lime | 000 ⇔ 255 | 0–100% |
| 13 | Stroboscoop | 000 ⇔ 010 011 ⇔ 255 | Geen functie Stroboscoop, langzaam tot snel |
| 14 | Virtueel kleurenwiel | 000 ⇔ 255 | Raadpleeg de sectie Kleurenkaart |
| 15 | Kleurtemperatuur | 000 ⇔ 255 | Raadpleeg de sectie Kleurtemperatuur-kaart |
| 16 | Zoom | 000 ⇔ 255 | Smal tot breed |
| 17 | Motorreset | 000 ⇔ 200 201 ⇔ 220 221 ⇔ 255 | Geen functie Motorreset Geen functie |
| 18 | Controle (houd 3 seconden ingedrukt) | 000 ⇔ 007 008 ⇔ 015 016 ⇔ 023 024 ⇔ 031 032 ⇔ 039 040 ⇔ 047 048 ⇔ 055 056 ⇔ 063 064 ⇔ 071 072 ⇔ 079 080 ⇔ 087 088 ⇔ 095 096 ⇔ 103 104 ⇔ 111 112 ⇔ 119 120 ⇔ 127 128 ⇔ 255 | Geen functie Dimmer reset Rode shift aan Rode shift uit S-Curve dimcurve Lineaire dimcurve Vierkante dimcurve Omgekeerde vierkante dimcurve Dimmer snelheid modus uit Dimmersnelheidsmodus 1 Dimmersnelheidsmodus 2 Dimmersnelheidsmodus 3 Automatische ventilator Ventilator aan Ventilator uit Stille ventilator Geen functie (gereserveerd) |

14Ch

| Kanaal | Functie | Waarde | Percentage/Instelling |
|--------|--|---|--|
| 1 | Dimmer | 000 ⇄ 255 | 0–100% |
| 2 | Rood | 000 ⇄ 255 | 0–100% |
| 3 | Groen | 000 ⇄ 255 | 0–100% |
| 4 | Blauw | 000 ⇄ 255 | 0–100% |
| 5 | Amber | 000 ⇄ 255 | 0–100% |
| 6 | Lime | 000 ⇄ 255 | 0–100% |
| 7 | Stroboscoop | 000 ⇄ 010 011 ⇄ 255 | Geen functie Stroboscoop, langzaam tot snel |
| 8 | Virtueel kleurenwiel | 000 ⇄ 255 | Raadpleeg de sectie Kleurenkaart |
| 9 | Kleurtemperatuur | 000 ⇄ 255 | Raadpleeg de sectie Kleurtemperatuur-kaart |
| 10 | Programmes auto | 000 ⇄ 010 011 ⇄ 060 061 ⇄ 110 111 ⇄ 160 161 ⇄ 210 211 ⇄ 255 | Geen functie Auto 1 Auto 2 Auto 3 Auto 4 Auto 5 |
| 11 | Autosnelheid | 000 ⇄ 255 | 0–100% |
| 12 | Controle (houd 3 seconden ingedrukt) | 000 ⇄ 007 008 ⇄ 015 016 ⇄ 023 024 ⇄ 031 032 ⇄ 039 040 ⇄ 047 048 ⇄ 055 056 ⇄ 063 064 ⇄ 071 072 ⇄ 079 080 ⇄ 087 088 ⇄ 095 096 ⇄ 103 104 ⇄ 111 112 ⇄ 119 120 ⇄ 127 128 ⇄ 255 | Geen functie Dimmer reset Rode shift aan Rode shift uit S-Curve dimcurve Lineaire dimcurve Vierkante dimcurve Omgekeerde vierkante dimcurve Dimmer snelheid modus uit Dimmersnelheidsmodus 1 Dimmersnelheidsmodus 2 Dimmersnelheidsmodus 3 Automatische ventilator Ventilator aan Ventilator uit Stille ventilator Geen functie (gereserveerd) |
| 13 | Zoom | 000 ⇄ 255 | Smal tot breed |
| 14 | Motorreset | 000 ⇄ 200 201 ⇄ 220 221 ⇄ 255 | Geen functie Motorreset Geen functie |

NL

13Ch

| Kanaal | Functie | Waarde | Percentage/Instelling |
|--------|-------------|------------------------|--|
| 1 | Dimmer | 000 ⇔ 255 | 0–100% |
| 2 | Fijn dimmer | 000 ⇔ 255 | 0–100% |
| 3 | Rood | 000 ⇔ 255 | 0–100% |
| 4 | Fijn rood | 000 ⇔ 255 | 0–100% |
| 5 | Groen | 000 ⇔ 255 | 0–100% |
| 6 | Fijn groen | 000 ⇔ 255 | 0–100% |
| 7 | Blauw | 000 ⇔ 255 | 0–100% |
| 8 | Fijn blauw | 000 ⇔ 255 | 0–100% |
| 9 | Amber | 000 ⇔ 255 | 0–100% |
| 10 | Fijn amber | 000 ⇔ 255 | 0–100% |
| 11 | Lime | 000 ⇔ 255 | 0–100% |
| 12 | Fijn lime | 000 ⇔ 255 | 0–100% |
| 13 | Stroboscoop | 000 ⇔ 010 011 ⇔ 255 | Geen functie Stroboscoop, langzaam tot snel |

11Ch

| Kanaal | Functie | Waarde | Percentage/Instelling |
|--------|----------------------|------------------------|--|
| 1 | Dimmer | 000 ⇔ 255 | 0–100% |
| 2 | Fijne dimmer | 000 ⇔ 255 | 0–100% |
| 3 | Rood | 000 ⇔ 255 | 0–100% |
| 4 | Groen | 000 ⇔ 255 | 0–100% |
| 5 | Blauw | 000 ⇔ 255 | 0–100% |
| 6 | Amber | 000 ⇔ 255 | 0–100% |
| 7 | Lime | 000 ⇔ 255 | 0–100% |
| 8 | Stroboscoop | 000 ⇔ 010 011 ⇔ 255 | Geen functie Stroboscoop, langzaam tot snel |
| 9 | Virtueel kleurenwiel | 000 ⇔ 255 | Raadpleeg de sectie Kleurenkaart |
| 10 | Kleurtemperatuur | 000 ⇔ 255 | Raadpleeg de sectie Kleurtemperatuur-kaart |
| 11 | Zoom | 000 ⇔ 255 | Smal tot breed |

7Ch

| Kanaal | Functie | Waarde | Percentage/Instelling |
|--------|-------------|------------------------|--|
| 1 | Dimmer | 000 ⇔ 255 | 0–100% |
| 2 | Rood | 000 ⇔ 255 | 0–100% |
| 3 | Groen | 000 ⇔ 255 | 0–100% |
| 4 | Blauw | 000 ⇔ 255 | 0–100% |
| 5 | Amber | 000 ⇔ 255 | 0–100% |
| 6 | Lime | 000 ⇔ 255 | 0–100% |
| 7 | Stroboscoop | 000 ⇔ 010 011 ⇔ 255 | Geen functie Stroboscoop, langzaam tot snel |

5Ch

| Kanaal | Functie | Waarde | Percentage/Instelling |
|--------|---------|-----------|-----------------------|
| 1 | Rood | 000 ⇔ 255 | 0–100% |
| 2 | Groen | 000 ⇔ 255 | 0–100% |
| 3 | Blauw | 000 ⇔ 255 | 0–100% |
| 4 | Amber | 000 ⇔ 255 | 0–100% |
| 5 | Lime | 000 ⇔ 255 | 0–100% |

3Ch

| Kanaal | Functie | Waarde | Percentage/Instelling |
|--------|----------------------|-----------|--|
| 1 | Dimmer | 000 ⇔ 255 | 0–100% |
| 2 | Virtueel kleurenwiel | 000 ⇔ 255 | Raadpleeg de sectie Kleurenkaart |
| 3 | Kleurtemperatuur | 000 ⇔ 255 | Raadpleeg de sectie Kleurtemperatuur-kaart |

1Ch

| Kanaal | Functie | Waarde | Percentage/Instelling |
|--------|---------|-----------|-----------------------|
| 1 | Dimmer | 000 ⇔ 255 | 0–100% |

HSV

| Kanaal | Functie | Waarde | Percentage/Instelling |
|--------|-------------|-----------|-----------------------|
| 1 | Tint | 000 ⇔ 255 | 0–100% |
| 2 | Verzadiging | 000 ⇔ 255 | 0–100% |
| 3 | Waarde | 000 ⇔ 255 | 0–100% |

Contact Us

| General Information | Technical Support |
|--|--|
| Chauvet World Headquarters | |
| Address: 5200 NW 108th Ave. Sunrise, FL 33351 Voice: (954) 577-4455 Fax: (954) 929-5560 Toll Free: (800) 762-1084 | Voice: (844) 393-7575 Fax: (954) 756-8015 Email: chauvetcs@chauvetlighting.com Website: www.chauvetprofessional.com |
| Chauvet Europe Ltd | |
| Address: Unit 1C Brookhill Road Industrial Estate Pinxton, Nottingham, UK NG16 6NT Voice: +44 (0) 1773 511115 Fax: +44 (0) 1773 511110 | Email: UKtech@chauvetlighting.eu Website: www.chauvetprofessional.eu |
| Chauvet Europe BVBA | |
| Address: Stokstraat 18 9770 Kruishoutem Belgium Voice: +32 9 388 93 97 | Email: BNLtech@chauvetlighting.eu Website: www.chauvetprofessional.eu |
| Chauvet France | |
| Address: 3, Rue Ampère 91380 Chilly-Mazarin France Voice: +33 1 78 85 33 59 | Email: FRtech@chauvetlighting.fr Website: www.chauvetprofessional.eu |
| Chauvet Germany | |
| Address: Bruno-Bürgel-Str. 11 28759 Bremen Germany Voice: +49 421 62 60 20 | Email: DEtech@chauvetlighting.de Website: www.chauvetprofessional.eu |
| Chauvet Mexico | |
| Address: Av. de las Partidas 34 - 3B (Entrance by Calle 2) Zona Industrial Lerma Lerma, Edo. de México, CP 52000 Voice: +52 (728) 690-2010 | Email: servicio@chauvet.com.mx Website: www.chauvetprofessional.mx |

Visit the applicable website above to verify our contact information and instructions to request support. Outside the U.S., U.K., Ireland, Benelux, France, Germany, or Mexico, contact the dealer of record.



UL 1573
CSA C22.2 No. 166
E113093

