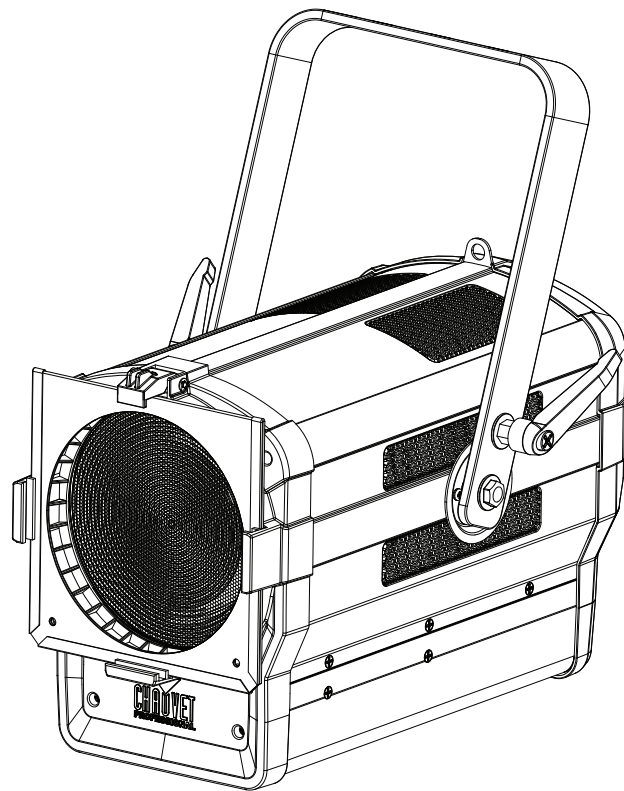


# Ovation

## F-415VW

### User Manual



**CHAUVET**  
PROFESSIONAL

## EDITION NOTES

The Ovation F-415VW User Manual includes a description, safety precautions, installation, programming, operation and maintenance instructions for the Ovation F-415VW.

### Trademarks

CHAUVET, the Chauvet logo and Ovation F-415VW are registered trademarks or trademarks of Chauvet & Sons, LLC (d/b/a Chauvet and Chauvet Lighting) in the United States and other countries. Other company and product names and logos referred to herein may be trademarks of their respective companies.

### Copyright Notice

The works of authorship contained in this manual, including, but not limited to, all design, text and images are owned by Chauvet.

© Copyright 2019 Chauvet & Sons, LLC. All rights reserved.

Electronically published by Chauvet in the United States of America.

### Manual Use

Chauvet authorizes its customers to download and print this manual for professional information purposes only. Chauvet expressly prohibits the usage, copy, storage, distribution, modification, or printing of this manual or its content for any other purpose without written consent from Chauvet.

### Document Printing

For best results, print this document in color, on letter size paper (8.5 x 11 in), double-sided. If using A4 paper (210 x 297 mm), configure the printer to scale the content accordingly.

### Intended Audience

Any person installing, operating, and/or maintaining this product should completely read through the guide that shipped with the product, as well as this manual, before installing, operating, or maintaining this product.

### Disclaimer

Chauvet believes that the information contained in this manual is accurate in all respects. However, Chauvet assumes no responsibility and specifically disclaims any and all liability to any party for any loss, damage or disruption caused by any errors or omissions in this document, whether such errors or omissions result from negligence, accident or any other cause. Chauvet reserves the right to revise the content of this document without any obligation to notify any person or company of such revision, however, Chauvet has no obligation to make, and does not commit to make, any such revisions. Download the latest version from [www.chauvetprofessional.com](http://www.chauvetprofessional.com)

### Document Revision

This Ovation F-415VW User Manual is the 2nd edition of this document. Go to [www.chauvetprofessional.com](http://www.chauvetprofessional.com) for the latest version.

**TABLE OF CONTENTS**

<b>1. Before You Begin .....</b>	<b>3</b>
What Is Included .....	3
Claims .....	3
Manual Conventions .....	3
Symbols .....	3
Safety Notes.....	4
Personal Safety.....	4
Mounting and Rigging .....	4
Power and Wiring.....	4
Operation .....	4
Expected LED Lifespan.....	4
<b>2. Introduction .....</b>	<b>5</b>
Description .....	5
Features.....	5
Product Overview.....	6
Product Dimensions.....	7
<b>3. Setup .....</b>	<b>8</b>
AC/DC Power.....	8
AC Plug.....	8
Power Linking.....	8
DMX Linking.....	9
DMX Personalities.....	9
Remote Device Management (RDM).....	9
Master/Slave Connectivity.....	9
Mounting .....	10
Orientation.....	10
Rigging .....	10
Procedure.....	10
<b>4. Operation .....</b>	<b>11</b>
Control Panel Operation.....	11
Control Options .....	11
Programming.....	11
Menu Map .....	11
Configuration (DMX) .....	13
Control Personalities .....	13
Starting Address.....	14
DMX Values .....	14
18 Ch.....	14
16 Ch.....	14
13 Ch.....	15
9 Ch.....	15
7 Ch.....	16
6 Ch.....	16
4 Ch.....	16
Preset Color Temperature Chart.....	16
Configuration (Standalone) .....	17
Static Mode .....	17
Zoom.....	17
Master/Slave .....	17
Dimmer Profiles.....	17
LED Frequency .....	17
Fan Mode.....	18

Back Light .....	18
System Information .....	18
Factory Reset.....	18
<b>5. Technical Information .....</b>	<b>19</b>
Product Maintenance .....	19
<b>6. Technical Specifications .....</b>	<b>20</b>
Photometrics Chart .....	22
<b>7. Returns .....</b>	<b>23</b>
<b>8. Contact Us .....</b>	<b>24</b>

# 1. BEFORE YOU BEGIN

## What Is Included

- Ovation F-415VW
- Neutrik® powerCON® power cord
- Gel Frame (6.25 in/159 mm accessories)
- Quick Reference Guide

## Claims

Carefully unpack the product immediately and check the container to make sure all the parts are in the package and are in good condition.





If the box or the contents (the product and included accessories) appear damaged from shipping, or show signs of mishandling, notify the carrier immediately, not Chauvet. Failure to report damage to the carrier immediately may invalidate your claim. In addition, keep the box and contents for inspection.

For other issues, such as missing components or parts, damage not related to shipping, or concealed damage, file a claim with Chauvet within 7 days of delivery.

## Manual Conventions

Convention	Meaning
1–512	A range of values
50/60	A set of values of which only one can be chosen
<SET>	A button on the product’s control panel
Settings	A product function or a menu option

## Symbols

Symbol	Meaning
	Electrical warning. Not following these instructions may cause electrical damage to the product, accessories, or the user.
	Critical installation, configuration, or operation information. Not following these instructions may make the product not work, cause damage to the product, or cause harm to the operator.
	Important installation or configuration information. The product may not function correctly if this information is not used.
	Useful information.



**Any reference to power connections in this manual assumes the use of Neutrik® powerCON® cables.**



**The term “DMX” used throughout this manual refers to the USITT DMX512-A digital data transmission protocol.**

## Safety Notes

Read all the following safety notes before working with this product. These notes contain important information about the installation, usage, and maintenance of this product.



**This product contains no user-serviceable parts. Any reference to servicing in this User Manual will only apply to properly trained, certified technicians. Do not open the housing or attempt any repairs.**



**All applicable local codes and regulations apply to proper installation of this product.**

## Personal Safety

- Avoid direct eye exposure to the light source while the product is on.
- Always disconnect the product from the power source before cleaning or replacing the fuse.
- Always connect the product to a grounded circuit to avoid the risk of electrocution.
- Do not touch the product's housing when operating because it may be very hot.

## Mounting and Rigging

- This product is not intended for permanent installation.
- This product is for indoor use only! To prevent risk of fire or shock, do not expose this product to rain or moisture. (IP20)
- CAUTION: When transferring product from extreme temperature environments, (e.g. cold truck to warm humid ballroom) condensation may form on the internal electronics of the product. To avoid causing a failure, allow product to fully acclimate to the surrounding environment before connecting it to power.
- Mount this product in a location with adequate ventilation, at least 20 in (50 cm) from adjacent surfaces.
- Make sure there are no flammable materials close to this product while it is operating.
- When hanging this product, always secure to a fastening device using a safety cable.
- Never carry the product by the power cord.

## Power and Wiring

- Make sure the power cord is not crimped or damaged.
- Always make sure you are connecting this product to the proper voltage in accordance with the specifications in this manual or on the product's specification label.
- To eliminate unnecessary wear and improve its lifespan, during periods of non-use completely disconnect the product from power via breaker or by unplugging it.
- Never connect this product to a dimmer pack or rheostat.
- Make sure to replace the fuse with another of the same type and rating.
- Never disconnect this product by pulling or tugging on the power cable.

## Operation

- Do not operate this product if there is damage on the housing, lenses, or cables. Have the damaged parts replaced by an authorized technician at once.
- Do not cover the ventilation slots when operating to avoid internal overheating.
- The maximum ambient temperature is 113 °F (45 °C). Do not operate the product at higher temperatures.
- In the event of a serious operation problem, stop using this product immediately!



**If your Chauvet product requires service, contact Chauvet Technical Support.**

## Expected LED Lifespan

LEDs gradually decline in brightness over time, primarily because of heat. LEDs that are arranged in clusters experience higher operating temperatures than single LEDs. For this reason, operating clustered LEDs at their fullest intensity significantly reduces the LEDs' lifespan. Under normal conditions, this lifespan is 40,000 to 50,000 hours. If extending this lifespan is vital, lower the operating temperature by improving the ventilation around the product, thus reducing the ambient temperature. In addition, limiting the overall projection intensity may extend the LEDs' lifespan.

## 2. INTRODUCTION

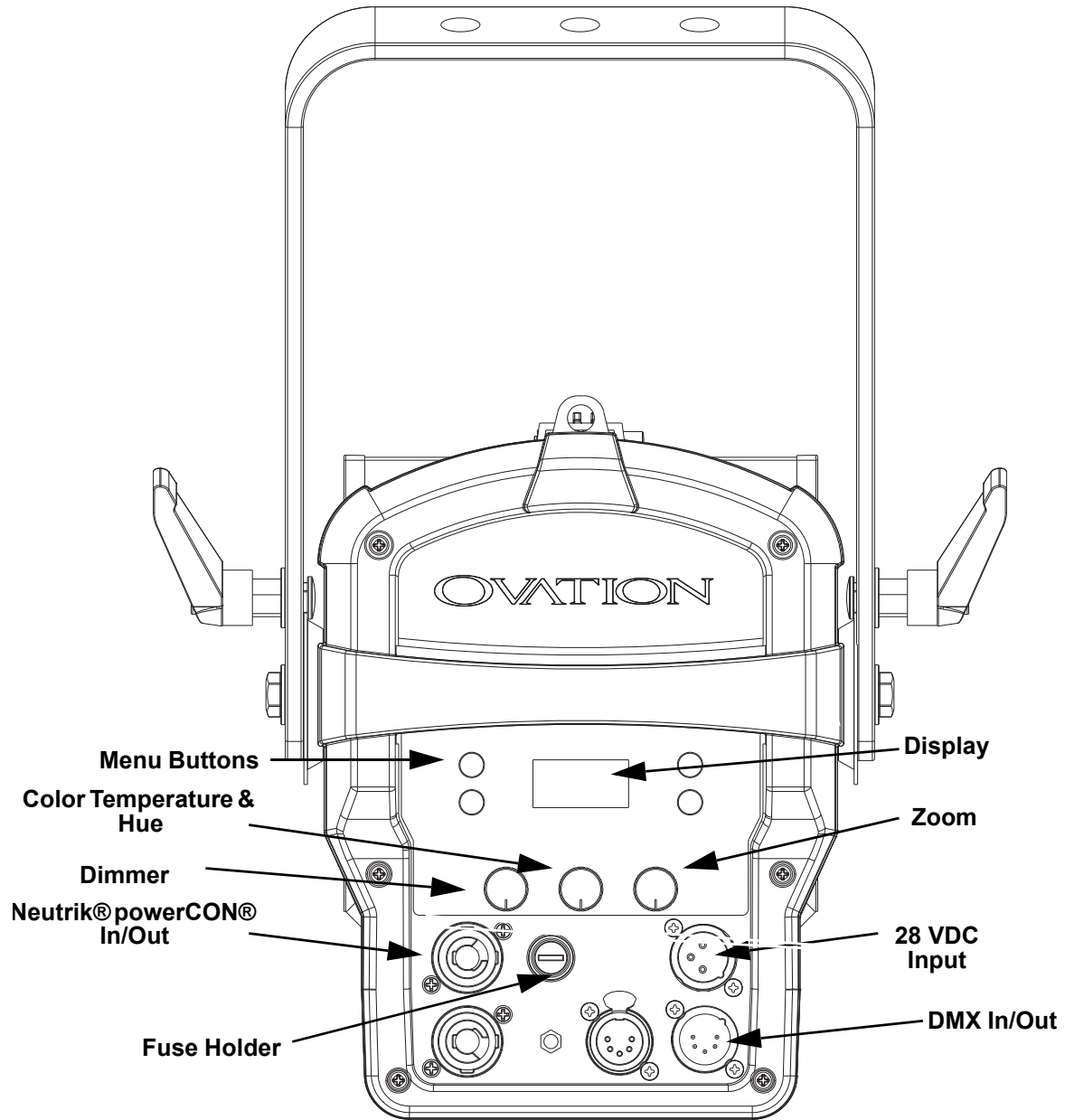
### Description

The Ovation F-415VW is a variable white Fresnel-style LED lighting fixture with 16-bit dimming resolution for smooth fades. It delivers a beautiful flat, even field of light. Its motorized zoom, with a range between 27° to 68°, is controlled either manually or via DMX. Simple and complex DMX channel profiles offer programming versatility. Virtually silent operation makes it ideal for use in any situation.

### Features

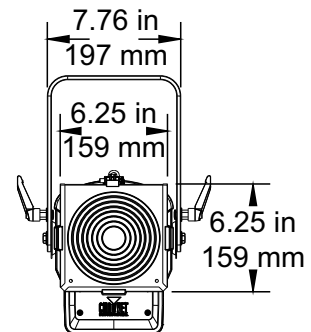
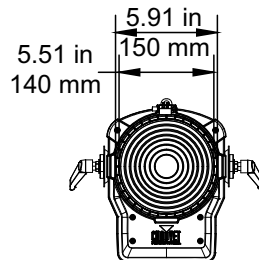
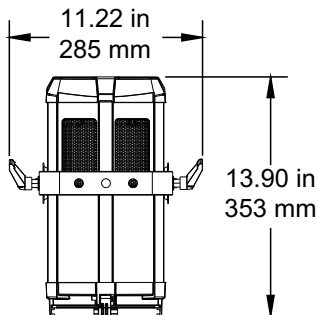
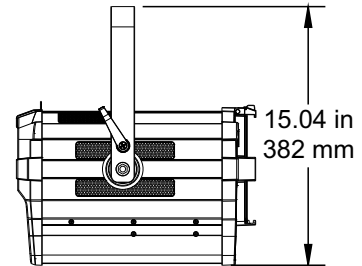
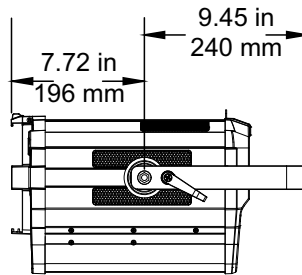
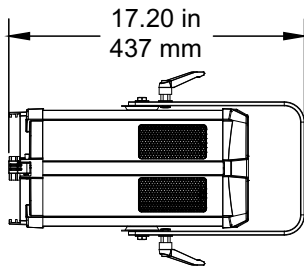
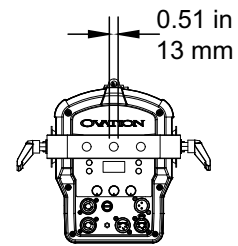
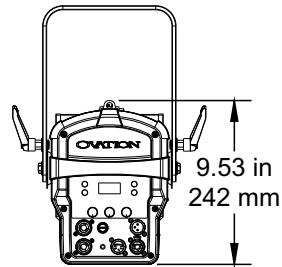
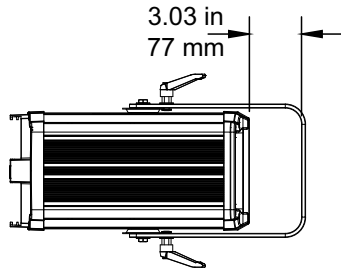
- Operating modes:
  - 4 Ch: Dimmer, color temperature, hue, zoom
  - 6 Ch: 16-bit dimmer, color temperature, hue, zoom, strobe
  - 7 Ch: Red, orange, green, royal blue, blue, lime, zoom
  - 9 Ch: Dimmer, red, orange, green, royal blue, blue, lime, strobe, zoom
  - 13 Ch: Dimmer, red, orange, green, royal blue, blue, lime, strobe, color temperature, hue, dimmer speed mode, zoom, motor reset
  - 16 Ch: 16-bit dimmer, 16-bit red, orange, green, royal blue, blue, and lime, strobe, zoom
  - 18 Ch: 16-bit dimmer, 16-bit red, orange, green, royal blue, blue, and lime, strobe, color temperature, hue, zoom
- Variable white LED Fresnel lighting fixture for theatre, film and production
- Soft and even field of light
- Smooth, motorized zoom from 27° to 68°
- Color Temperature Presets from 2800 K to 8000 K with high CRI and CQS
- 28 VDC power input via 3-pin XLR to power the fixture from an external battery pack
- Beautiful 16-bit dimming
- Proprietary LED engine delivers tremendous, equal output at all color temperatures
- Easy to use on board control of color temperature, zoom and dimming
- +/- Green adjustment via DMX or on-board control
- Independent color control over the 6-color engine when a splash of color is needed
- RDM (Remote Device Management) for added flexibility
- Adjustable PWM (Pulse Width Modulation) to avoid flickering on camera
- Virtually silent operation for use in studio and theatre applications

**Product Overview**





# Product Dimensions



### 3. SETUP

#### AC/DC Power

This product has an auto-ranging power supply that can work with an input voltage range of 100–240 VAC, 50/60 Hz or 28 VDC power from a conditioned professional regulated battery (for example, Anton Bauer or Block Battery). Never connect both power sources at the same time. To determine the power requirements for each Ovation F-415VW, refer to the label affixed to the product. You can also refer to the Technical Specifications chart in this manual.

The listed current rating indicates the maximum current draw during normal operation. For more information, download Sizing Circuit Breakers from the Chauvet website: [www.chauvetprofessional.com](http://www.chauvetprofessional.com).



- **Always connect the product to a protected circuit (circuit breaker or fuse). Make sure the product has an appropriate electrical ground to avoid the risk of electrocution or fire.**
- **Never connect this product to AC and DC power sources at the same time.**
- **To eliminate unnecessary wear and improve its lifespan, during periods of non-use completely disconnect the product from power via breaker or by unplugging it.**



**Never connect the product to a rheostat (variable resistor) or dimmer circuit, even if the rheostat or dimmer channel serves only as a 0 to 100% switch.**

#### AC Plug

The Ovation F-415VW comes with a power input cord terminated with a Seetronic Powerkon A connector on one end and an Edison plug on the other end (U.S. market). If the power input cord that came with your product has no plug, or if you need to change the plug, use the table below to wire the new plug.

Connection	Wire (U.S.)	Wire (Europe)	Screw Color
AC Live	Black	Brown	Yellow or Brass
AC Neutral	White	Blue	Silver
AC Ground	Green/Yellow	Green/Yellow	Green

#### Power Linking

The product supports power linking. You can power link up to 12 products at 120 V; up to 21 at 208 V; or up to 23 at 230 V. This product comes with a power input cord. Power linking cables are available from Chauvet for purchase.

## DMX Linking

You can link the Ovation F-415VW to a DMX controller using a 5-pin DMX connection. If using other DMX-compatible products with this product, you can control each individually with a single DMX controller.

### DMX Personalities

The Ovation F-415VW uses a 5-pin DMX data connection for the **4 Ch**, **6 Ch**, **7 Ch**, **9 Ch**, **13 Ch**, **16 Ch**, and **18 Ch** DMX personalities.

- Refer to the [Introduction](#) chapter for a brief description of each DMX personality.
- Refer to the [Operation](#) chapter to learn how to configure the Ovation F-415VW to work in these personalities.
- The [DMX Values](#) section provides detailed information regarding the control personalities.

### Remote Device Management (RDM)

Remote Device Management, or RDM, is a standard for allowing DMX-enabled devices to communicate bi-directionally along existing DMX cabling. Check the DMX controller's User Manual or with the manufacturer as not all DMX controllers have this capability. The Ovation F-415VW supports RDM protocol that allows feedback to make changes to menu map options.

### Master/Slave Connectivity

The Master/Slave mode allows a Ovation F-415VW (the master) to control one or more Ovation F-415VW products (the slaves) without a DMX controller. One Ovation F-415VW becomes the master when running an auto or custom program, or by being in a Static mode.

You must configure each slave's control panel to operate in Slave mode. During Master/Slave operation, the slaves will operate in unison with the master.



**DO NOT connect a DMX controller to products operating in Master/Slave mode. The DMX controller signals may interfere with the signals from the master.**



- The [Operation](#) section of this manual provides detailed instructions on how to configure the master and slaves.
- If you are not familiar with DMX standards or Master/Slave connectivity, download the DMX Primer from the Chauvet website [www.chauvetprofessional.com](http://www.chauvetprofessional.com) for more information.

## Mounting

Before mounting the product, read and follow the safety recommendations indicated in the Safety Notes. For our CHAUVET Professional line of mounting clamps, go to <http://trusst.com/products/>.

## Orientation

Always mount this product in a safe position, making sure there is adequate room for ventilation, configuration, and maintenance.

## Rigging

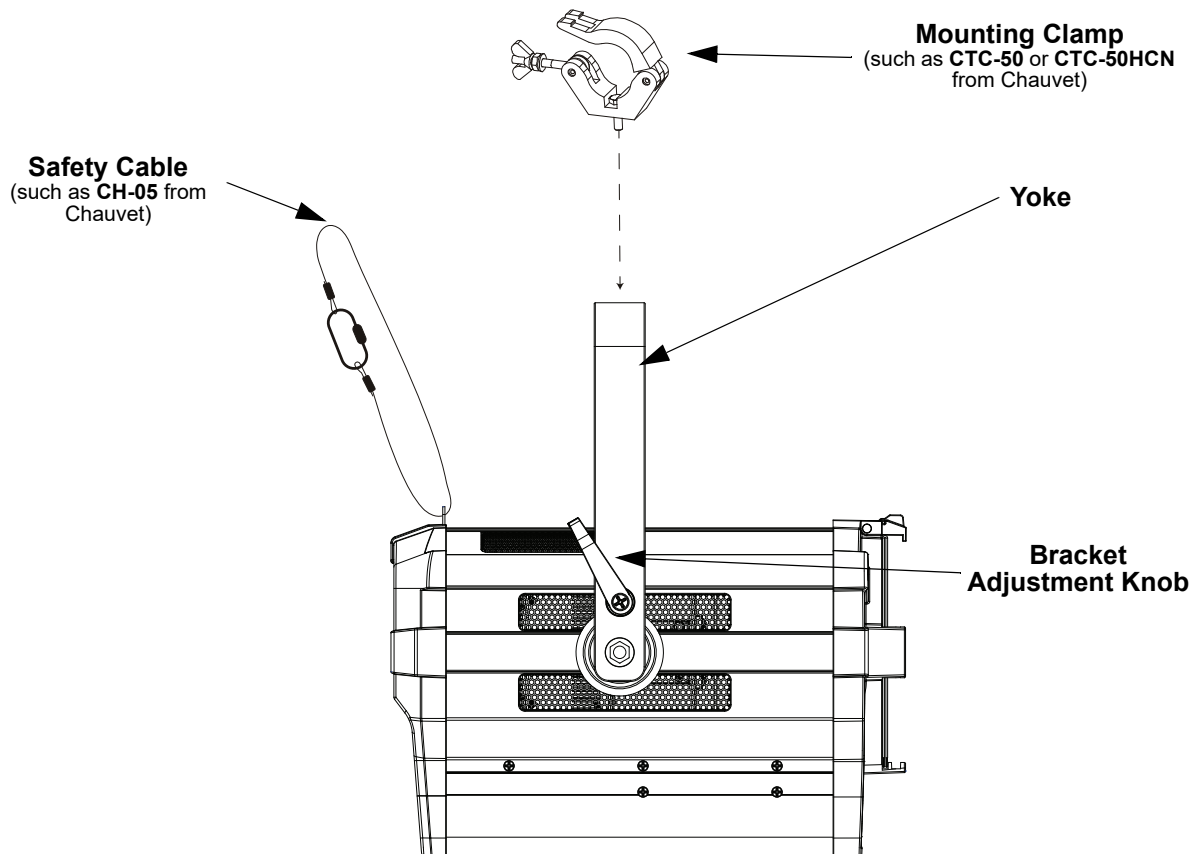
Chauvet recommends using the following general guidelines when mounting this product.

- Before deciding on a location for the product, make sure there is easy access to the product for maintenance and programming purposes.
- Make sure that the structure onto which you are mounting the product can support the product's weight. See the [Technical Specifications](#) for weight information.
- When mounting the product overhead, always use a safety cable. Mount the product securely to a rigging point, whether an elevated platform or a truss.
- When rigging the product onto a truss, use a mounting clamp of appropriate weight capacity.
- When power linking multiple products, mount the products close enough for power linking cables to reach.
- The bracket adjustment knobs allow for directional adjustment when aiming the product to the desired angle. Only loosen or tighten the bracket knobs manually. Using tools could damage the knobs.

## Procedure

The Ovation F-415VW comes with a double-bracketed yoke to which you can either attach mounting clamps for hanging or simply use as a floor stand. You must supply the mounting clamps. Make sure the clamps are capable of supporting the weight of this product. Use at least one mounting point per product. For the CHAUVET Professional line of mounting clamps, go to <http://www.trusst.com/products>.

## Mounting Diagram



## 4. Operation

### Control Panel Operation

Button/Knob	Function
<MENU>	Exits from the current menu or function
<ENTER>	Enables the currently displayed menu or sets the currently selected value in to the current function
<UP>	Navigates upward through the menu list or increases the numeric value when in a function
<DOWN>	Navigates downward through the menu list or decreases the numeric value when in a function
<Color Temperature & Hue	Push twice, then turn to select the color temperature. Push again, then turn to set the hue.
<Dimmer>	Push twice, then turn to increase or decrease the dimmer
<Zoom>	Push twice, then turn to increase or decrease the zoom

### Control Options

Set the Ovation F-415VW starting address in the 001–512 DMX range. This enables control of up to 28 products in the 18-channel **18 Ch** personality.

### Programming

Refer to the Menu Map to understand the menu options. The menu map shows the main level and a variable number of programming levels for each option.

- To go to the desired main level, press <MENU> repeatedly until the option shows on the display. Press <ENTER> to select. This will take you to the first programming level for that option.
- To select an option or value within the current programming level, press <UP> or <DOWN> until the option shows on the display. Press <ENTER> to select. In this case, if there is another programming level, you will see that first option, or you will see the selected value.
- Press <MENU> repeatedly to exit to the previous main level.

### Menu Map

Main Level	Programming Levels	Description
DMX Address	001–509*	Selects DMX address (*highest channel restricted to personality chosen)
DMX Personality	4 Ch	4-channel: dimmer, color temperature, hue, zoom
	6 Ch	6-channel: 16-bit dimmer, color temperature, hue, zoom, strobe
	7 Ch	7-channel: red, orange, green, royal blue, blue, lime, zoom
	9 Ch	9-channel: dimmer, red, orange, green, royal blue, blue, lime, strobe, zoom
	13 Ch	13-channel: dimmer, red, orange, green, royal blue, blue, lime, strobe, color temperature, hue, dimmer speed mode, zoom, motor reset
	16 Ch	16-channel: 16-bit dimmer, 16-bit red, orange, green, royal blue, blue, and lime, strobe, zoom
	18 Ch	18-channel: 16-bit dimmer, 16-bit red, orange, green, royal blue, blue, and lime, strobe, color temperature, hue, zoom

Main Level	Programming Levels			Description			
Static	Color Temperature	2800K	Dimmer	000–255	Sets the color temperature, dimmer, and hue (green/magenta) levels. Emulates a tungsten lamp at the specified color temperature.		
		2900K					
		3000K					
		3100K					
		3200K					
		3300K					
		3400K					
		3500K					
		3600K					
		3700K					
		3800K					
		3900K					
		4000K					
		4100K					
		4200K					
		4300K					
		4400K					
		4500K					
		4600K					
		4700K					
		4800K					
		4900K					
		5000K					
		5100K					
		5200K					
		5300K				Hue	-25–25
		5400K					
		5500K					
	5600K						
	5700K						
	6000K						
	6500K						
	7000K						
	7500K						
8000K							
Manual Color Mixer	Red	<000–255>	Combine red, orange, green, royal blue, blue, and lime to make a custom color (0–100%)				
	Orange						
	Green						
	Royal Blue						
	Blue						
	Lime						
Zoom	0–255			Controls zoom			
Master/ Slave	Master			DMX mode (Master)			
	Slave			Slave mode			
Dimmer Mode	Off			Linear dimmer			
	Dimmer 1–3			Dimming curves <b>Dimmer 1</b> (fast) to <b>Dimmer 3</b> (slow)			

Main Level	Programming Levels		Description
White Balance	Manual	Off	Uses factory default white setting
		Red	Sets red LED maximum value
		Orange	Sets orange LED maximum value
		Green	Sets green LED maximum value
		Royal Blue	Sets royal blue LED maximum value
		Blue	Sets blue LED maximum value
		Lime	Sets lime LED maximum value
LED Frequency	<125–255>		Sets the PWM frequency
	600Hz		
	1200Hz		
	2000Hz		
	4000Hz		
	6000Hz		
Fan Mode	25KHz		Sets the fan to auto mode
	Auto		
Back Light	On		Sets the fan to always on
	On		Display backlight always on
	10S		Turns off display backlight after 10 seconds of inactivity
	20S		Turns off display backlight after 20 seconds of inactivity
Information	30S		Turns off display backlight after 30 seconds of inactivity
	Fixture Hours	<_ _ _ _ H>	Shows total hours the product has been powered on
	Version	<V _ _>	Shows current firmware version
Reset Factory	UID		Shows product UID
	No		Resets the product to factory default settings
Yes			

## Configuration (DMX)

Use control configurations to operate the product with a DMX controller.

### Control Personalities

This setting allows you to choose a particular control personality.

1. Go to the **DMX Personality** main level.
2. Select the desired personality, from **4 Ch**, **6 Ch**, **7 Ch**, **9 Ch**, **13 Ch**, **16 Ch**, or **18 Ch**.



- See the [Starting Address](#) section for the highest starting address you can select for each personality.
- Make sure that the starting addresses on the various products do not overlap due to the new personality setting.

## Starting Address

Each product will respond to a unique starting address from the DMX controller. All products with the same starting address will respond in unison.

1. Go to the **DMX Address** main level.
2. Select the starting address (**001–512**).

The highest recommended starting address for each DMX mode is as follows:

Personality	Address
18 Ch	495
16 Ch	497
13 Ch	500
9 Ch	504
7 Ch	506
6 Ch	507
4 Ch	509

## DMX Values

### 18 Ch

Channel	Function	Value	Percent/Setting
1	Dimmer	000 ⇔ 255	0–100%
2	Dimmer Fine	000 ⇔ 255	0–100%
3	Red	000 ⇔ 255	0–100%
4	Red Fine	000 ⇔ 255	0–100%
5	Orange	000 ⇔ 255	0–100%
6	Orange Fine	000 ⇔ 255	0–100%
7	Green	000 ⇔ 255	0–100%
8	Green Fine	000 ⇔ 255	0–100%
9	Royal Blue	000 ⇔ 255	0–100%
10	Royal Blue Fine	000 ⇔ 255	0–100%
11	Blue	000 ⇔ 255	0–100%
12	Blue fine	000 ⇔ 255	0–100%
13	Lime	000 ⇔ 255	0–100%
14	Lime Fine	000 ⇔ 255	0–100%
15	Strobe	000 ⇔ 010 011 ⇔ 255	No function Strobe, slow to fast
16	Color Temperature	000 ⇔ 255	See <a href="#">Preset Color Temperature Chart</a>
17	Hue	000 ⇔ 255	-25–25
18	Zoom	000 ⇔ 255	Narrow to wide

### 16 Ch

Channel	Function	Value	Percent/Setting
1	Dimmer	000 ⇔ 255	0–100%
2	Dimmer Fine	000 ⇔ 255	0–100%
3	Red	000 ⇔ 255	0–100%
4	Red Fine	000 ⇔ 255	0–100%
5	Orange	000 ⇔ 255	0–100%
6	Orange Fine	000 ⇔ 255	0–100%
7	Green	000 ⇔ 255	0–100%
8	Green Fine	000 ⇔ 255	0–100%



## OPERATION

Channel	Function	Value	Percent/Setting
9	Royal Blue	000 ⇔ 255	0–100%
10	Royal Blue Fine	000 ⇔ 255	0–100%
11	Blue	000 ⇔ 255	0–100%
12	Blue fine	000 ⇔ 255	0–100%
13	Lime	000 ⇔ 255	0–100%
14	Lime Fine	000 ⇔ 255	0–100%
15	Strobe	000 ⇔ 010	No function
		011 ⇔ 255	Strobe, slow to fast
16	Zoom	000 ⇔ 255	Narrow to wide

### 13 Ch

Channel	Function	Value	Percent/Setting
1	Dimmer	000 ⇔ 255	0–100%
2	Red	000 ⇔ 255	0–100%
3	Orange	000 ⇔ 255	0–100%
4	Green	000 ⇔ 255	0–100%
5	Royal Blue	000 ⇔ 255	0–100%
6	Blue	000 ⇔ 255	0–100%
7	Lime	000 ⇔ 255	0–100%
8	Strobe	000 ⇔ 010	No function
		011 ⇔ 255	Strobe, slow to fast
9	Color Temperature	000 ⇔ 255	See <a href="#">Preset Color Temperature Chart</a>
10	Hue	000 ⇔ 255	-25–25
11	Dimmer Speed Mode	000 ⇔ 051	No function
		052 ⇔ 101	Dimmer speed mode off
		102 ⇔ 152	Dimmer speed mode 1
		153 ⇔ 203	Dimmer speed mode 2
		204 ⇔ 255	Dimmer speed mode 3
			Hold for 3 seconds: Overrides and changes menu selection
12	Zoom	000 ⇔ 255	Narrow to wide
13	Motor Reset	000 ⇔ 200	No function
		201 ⇔ 220	Motor reset
		221 ⇔ 255	No function

### 9 Ch

Channel	Function	Value	Percent/Setting
1	Dimmer	<b>000</b> ⇔ <b>255</b>	0–100%
2	Red	000 ⇔ 255	0–100%
3	Orange	000 ⇔ 255	0–100%
4	Green	000 ⇔ 255	0–100%
5	Royal Blue	000 ⇔ 255	0–100%
6	Blue	000 ⇔ 255	0–100%
7	Lime	000 ⇔ 255	0–100%
8	Strobe	000 ⇔ 010	No function
		011 ⇔ 255	Strobe, slow to fast
9	Zoom	000 ⇔ 255	Narrow to wide

**7 Ch**

Channel	Function	Value	Percent/Setting
1	Red	000 ⇔ 255	0–100%
2	Orange	000 ⇔ 255	0–100%
3	Green	000 ⇔ 255	0–100%
4	Royal Blue	000 ⇔ 255	0–100%
5	Blue	000 ⇔ 255	0–100%
6	Lime	000 ⇔ 255	0–100%
7	Zoom	000 ⇔ 255	Narrow to wide

**6 Ch**

Channel	Function	Value	Percent/Setting
1	Dimmer	000 ⇔ 255	0–100%
2	Dimmer Fine	000 ⇔ 255	0–100%
3	Color Temperature	000 ⇔ 255	See <a href="#">Preset Color Temperature Chart</a>
4	Hue	000 ⇔ 255	-25–25
5	Zoom	000 ⇔ 255	Narrow to wide
6	Strobe	000 ⇔ 010 011 ⇔ 255	No function Strobe, slow to fast

**4 Ch**

Channel	Function	Value	Percent/Setting
1	Dimmer	000 ⇔ 255	0–100%
2	Color Temperature	000 ⇔ 255	See <a href="#">Preset Color Temperature Chart</a>
3	Hue	000 ⇔ 255	-25–25
4	Zoom	000 ⇔ 255	Narrow to wide

**Preset Color Temperature Chart**

DMX Channel Value	Color Temperature	DMX Channel Value	Color Temperature	DMX Channel Value	Color Temperature
000 ⇔ 005	No function	084 ⇔ 090	3900–4000K	168 ⇔ 174	5100–5200K
006 ⇔ 013	2800–2900K	091 ⇔ 097	4000–4100K	175 ⇔ 181	5200–5300K
014 ⇔ 020	2900–3000K	098 ⇔ 104	4100–4200K	182 ⇔ 188	5300–5400K
021 ⇔ 027	3000–3100K	105 ⇔ 111	4200–4300K	189 ⇔ 195	5400–5500K
028 ⇔ 034	3100–3200K	112 ⇔ 118	4300–4400K	196 ⇔ 202	5500–5600K
035 ⇔ 041	3200–3300K	119 ⇔ 125	4400–4500K	203 ⇔ 209	5600–5700K
042 ⇔ 048	3300–3400K	126 ⇔ 132	4500–4600K	210 ⇔ 216	5700–6000K
049 ⇔ 055	3400–3500K	133 ⇔ 139	4600–4700K	217 ⇔ 223	6000–6500K
056 ⇔ 062	3500–3600K	140 ⇔ 146	4700–4800K	224 ⇔ 230	6500–7000K
063 ⇔ 069	3600–3700K	147 ⇔ 153	4800–4900K	231 ⇔ 237	7000–7500K
070 ⇔ 076	3700–3800K	154 ⇔ 160	4900–5000K	238 ⇔ 244	7500–8000K
077 ⇔ 083	3800–3900K	161 ⇔ 167	5000–5100K	245 ⇔ 255	8000K



**Note:** The color temperatures above are simulated renditions of the color output produced as compared to a tungsten lamp at the specified color temperature. Chauvet makes no guarantee of the color output accuracy.

### Configuration (Standalone)

Use standalone configuration to operate the product without a DMX controller.

#### Static Mode

The Static mode allows for an unchanging color without a DMX controller.

#### Color Temperature

1. Go to the **Static** main level.
2. Select **Color Temperature**.
3. Select the desired color temperature (see [Preset Color Temperature Chart](#)).
4. Select the desired output level (<000–255>).

#### Manual Color Mixer

1. Go to the **Static** main level.
2. Select **Manual Color Mixer**.
3. Select the color to edit (**Red, Orange, Green, Royal Blue, Blue, or Lime**).
4. Select the desired output level for that color (<000–255>).
5. Repeat steps 3 and 4 until product outputs as desired.

#### Zoom

The zoom setting allows standalone control of the motorized zoom.

1. Go to the **Zoom** main level.
2. Select the desired zoom level (**0–255**).

#### Master/Slave

The Master/Slave mode allows a group of Ovation F-415VW products (the slaves) to simultaneously duplicate the output of another Ovation F-415VW (the master) without a DMX controller.

To set each of the slaves:

1. Go to the **Master/Slave** main level
2. Select **Slave**.

To set the master:

1. Go to the **Master/Slave** main level
2. Select **Master**.
3. Select a static setting.



- The master is the one that runs a program whether in Auto or Static mode.
- Do not connect a DMX controller to the products configured for Master/Slave operation. The DMX controller may interfere with signals from the master.
- The master should be the first product in the daisy chain.

#### Dimmer Profiles

This setting determines how fast the output of the Ovation F-415VW changes when you modify the output value. This setting provides four different options to simulate the dimming curve of an incandescent lighting product.

1. Go to the **Dimmer Mode** main level.
2. Select a dimmer curve (**Off, Dimmer 1, Dimmer 2, or Dimmer 3**).



- Off:** The output is proportional (linear) to the dimmer channel value.
- Dimmer 1-3:** The output follows the dimmer value based on the corresponding dimmer curve, **Dimmer 1** being the fastest.

#### White Balance

This setting determines the maximum output values for each color, which affects the appearance of a full output white.

1. Go to the **White Balance** main level.
2. Select **Off** (the product will use a default setting) or **Manual**.
3. For **Manual** mode, select the color value to edit (**Red, Orange, Green, Royal Blue, Blue, or Lime**).
4. Set the maximum value for the selected color (**125–255**).
5. Repeat steps 3 and 4 until the product outputs as desired.

#### LED Frequency

This option changes the Pulse Width Modulation (PWM) frequency of the LEDs on the Ovation F-415VW.

1. Go to the **LED Frequency** main level.
2. Select PWM Frequency (**600Hz, 1200Hz, 2000Hz, 4000Hz, 6000Hz, or 25Khz**).

### **Fan Mode**

This setting determines how the fan speed on the Ovation F-415VW is set.

1. Go to the **Fan Mode** main level.
2. Select **Auto** (fan speed will increase or decrease based on product temperature) or **On** (fan speed will always be at maximum).

### **Back Light**

This setting allows for selection of the amount of time the backlight on the Ovation F-415VW's display stays on after the last button is pressed on the control panel.

1. Go to the **Back Light** main level.
2. Select **On** (remains on), **10S** (10 seconds), **20S** (20 seconds), or **30S** (seconds).

### **System Information**

This option displays the total number of hours the product has run, the installed software version, and the product's UID.

1. Go to the **Information** main level.
2. Select **Fixture Hours**, **Version**, or **UID**.

### **Factory Reset**

This option restores the Ovation F-415VW to factory default settings.

1. Go to the **Reset Factory** main level.
2. Select **No** or **Yes**.

## 5. TECHNICAL INFORMATION

### Product Maintenance

To maintain optimum performance and minimize wear, clean this product frequently. Usage and environment are contributing factors in determining the cleaning frequency.

Clean this product at least twice a month. Dust build-up reduces light output performance and can cause overheating. This can lead to reduced light source life and increased mechanical wear.

To clean the product:

1. Unplug the product from power.
2. Wait until the product is at room temperature.
3. Use a vacuum (or dry compressed air) and a soft brush to remove dust collected on the external vents.
4. Clean all transparent surfaces with a mild soap solution, ammonia-free glass cleaner, or isopropyl alcohol.
5. Apply the solution directly to a soft, lint free cotton cloth or a lens cleaning tissue.
6. Softly drag any dirt or grime to the outside of the transparent surface.
7. Gently polish the transparent surfaces until they are free of haze and lint.



**Always dry the transparent surfaces carefully after cleaning them.**

## 6. TECHNICAL SPECIFICATIONS

### Dimensions and Weight

Length	Width	Height	Weight
15.80 in (401 mm)	11.22 in (285 mm)	9.51 in (242 mm)	12.79 lb (5.8 kg)

**Note:** Dimensions in inches rounded to the nearest hundredth.

### Power

Power Supply Type	Range	Voltage Selection
Switching (internal)	100 to 240 VAC, 50/60 Hz	Auto-ranging

Parameter	120 V, 60 Hz	230 V, 50 Hz
Consumption	129 W	132 W
Operating Current	1.056 A	0.568 A
Power linking current (products)	13.6 A (12 products)	13.6 A (23 products)
Fuse	T 2 A, 250 V	T 2 A, 250 V

Power I/O	U.S./Canada	Worldwide
DC Power input connector	3-pin XLR	3-pin XLR
AC Power input connector	Neutrik® powerCON® A	Neutrik® powerCON® A
Power output connector	Neutrik® powerCON® B	Neutrik® powerCON® B
Power Cord plug	Edison (U.S.)	Local Plug

### Light Source

Type	Color	Quantity	Power	Current	Lifespan
LED	Red	4	3-4 W	1 A	50,000 hours
LED	Orange-red	10	3-4 W	1 A	50,000 hours
LED	Green	4	3-4 W	1 A	50,000 hours
LED	Blue	6	3-4 W	1 A	50,000 hours
LED	Royal blue	6	3-4 W	1 A	50,000 hours
LED	Lime	16	3-4 W	1 A	50,000 hours

### Photometrics

Parameter	Narrow Zoom	Wide Zoom
Beam Angle	14°	43°
Field Angle	27°	68°
Illuminance @ 5 m	939 lux	183 lux

## TECHNICAL SPECIFICATIONS

---

### Thermal

Maximum External Temperature	Cooling System
113 °F (45 °C)	Convection

### DMX

I/O Connector	Channel Range
5-pin XLR	4, 6, 7, 9, 13, 16 or 18

### Ordering

Product Name	Item Code	UPC Number
Ovation F-415VW	03031481	781462218294



UL 1573  
 CSA C22.2 No. 166  
 E113093

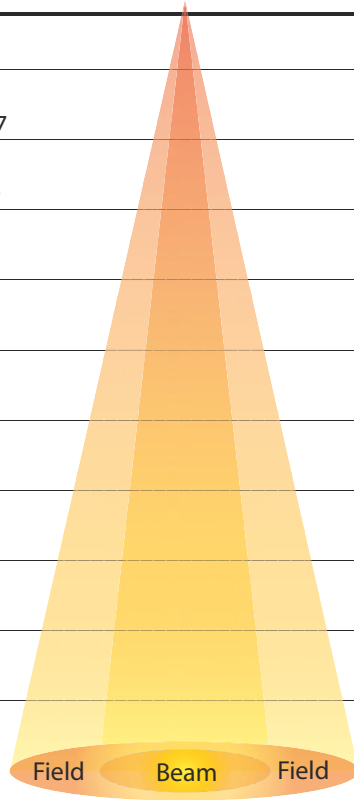


RoHS

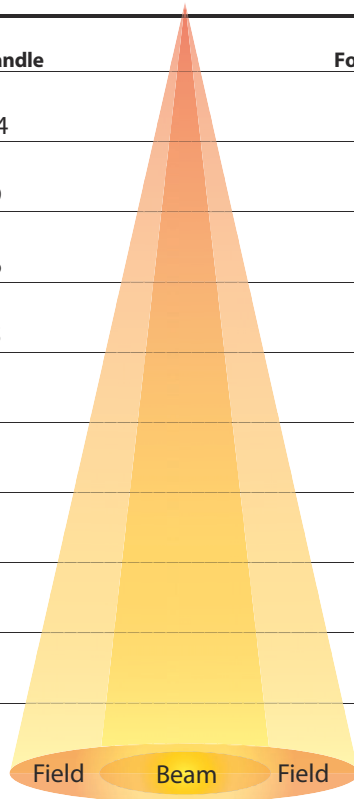


Photometrics Chart

Distance	Narrow		Zoomable Light Source 27°~68°		Wide	
	14° Beam Diameter	27° Field Diameter	Lux	Lux	43° Beam Diameter	68° Field Diameter
1 m	0.25 m	0.48 m	23,457	4575	0.79 m	1.35 m
2 m	0.49 m	0.96 m	5,869	1,144	1.58 m	2.70 m
5 m	1.23 m	2.40 m	939	183	3.94 m	6.75 m
8 m	1.96 m	3.84 m	367	71	6.30 m	10.79 m
10 m	2.46 m	4.80 m	235	46	7.88 m	13.49 m
15 m	3.68 m	7.20 m	104	20	11.82 m	20.24 m
20 m	4.91 m	9.60 m	59	11	15.76 m	26.98 m
25 m	6.14 m	12.00 m	38	7	19.70 m	33.73 m
30 m	7.37 m	14.40 m	26	5	23.63 m	40.47 m



Distance	Narrow		Zoomable Light Source 27°~68°		Wide	
	14° Beam Diameter	27° Field Diameter	Footcandle	Footcandle	43° Beam Diameter	68° Field Diameter
15 ft	3.68 ft	7.20 ft	104	20	11.82 ft	20.24 ft
20 ft	4.91 ft	9.60 ft	59	11	15.76 ft	26.98 ft
30 ft	7.37 ft	14.40 ft	26	5	23.63 ft	40.47 ft
40 ft	9.82 ft	19.21 ft	15	3	31.51 ft	53.96 ft
50 ft	12.28 ft	24.01 ft	9	2	39.39 ft	67.45 ft
75 ft	18.42 ft	36.01 ft	4	1	59.09 ft	101.18 ft
100 ft	24.56 ft	48.02 ft	2	0	78.78 ft	134.90 ft
125 ft	30.70 ft	60.02 ft	2	0	98.48 ft	168.63 ft
150 ft	36.84 ft	72.02 ft	1	0	118.17 ft	202.35 ft





## RETURNS

---

### RETURNS

Send the product prepaid, in the original box, and with the original packing and accessories. Chauvet will not issue call tags.

Call Chauvet and request a Return Merchandise Authorization (RMA) number before shipping the product. Be prepared to provide the model number, serial number, and a brief description of the cause(s) for the return.

Clearly label the package with an RMA number. Chauvet will refuse any product returned without an RMA number.



**Write the RMA number on a properly affixed label. DO NOT write the RMA number directly on the box.**

Once you have the RMA number, provide the following information on a piece of paper and place it inside the box:

- Your name
- Your address
- Your phone number
- RMA number
- A brief description of the problem

Be sure to pack the product properly. Any shipping damage resulting from inadequate packaging will be your responsibility. FedEx packing or double-boxing are recommended.



**Chauvet reserves the right to use its own discretion to repair or replace returned product(s).**

## CONTACT US

General Information	Technical Support
<b>Chauvet World Headquarters</b>	
Address: 5200 NW 108th Ave. Sunrise, FL 33351 Voice: (954) 577-4455 Fax: (954) 929-5560 Toll Free: (800) 762-1084	Voice: (844) 393-7575 Fax: (954) 756-8015 Email: <a href="mailto:chauvetcs@chauvetlighting.com">chauvetcs@chauvetlighting.com</a>  Website: <a href="http://www.chauvetprofessional.com">www.chauvetprofessional.com</a>
<b>Chauvet Europe Ltd</b>	
Address: Unit 1C Brookhill Road Industrial Estate Pinxton, Nottingham, UK NG16 6NT Voice: +44 (0) 1773 511115 Fax: +44 (0) 1773 511110	Email: <a href="mailto:UKtech@chauvetlighting.eu">UKtech@chauvetlighting.eu</a>  Website: <a href="http://www.chauvetprofessional.eu">www.chauvetprofessional.eu</a>
<b>Chauvet Europe BVBA</b>	
Address: Stokstraat 18 9770 Kruishoutem Belgium Voice: +32 9 388 93 97	Email: <a href="mailto:BNLtech@chauvetlighting.eu">BNLtech@chauvetlighting.eu</a>  Website: <a href="http://www.chauvetprofessional.eu">www.chauvetprofessional.eu</a>
<b>Chauvet France</b>	
Address: 3, Rue Ampère 91380 Chilly-Mazarin France Voice: +33 1 78 85 33 59	Email: <a href="mailto:FRtech@chauvetlighting.fr">FRtech@chauvetlighting.fr</a>  Website: <a href="http://www.chauvetprofessional.eu">www.chauvetprofessional.eu</a>
<b>Chauvet Germany</b>	
Address: Bruno-Bürgel-Str. 11 28759 Bremen Germany Voice: +49 421 62 60 20	Email: <a href="mailto:DEtech@chauvetlighting.de">DEtech@chauvetlighting.de</a>  Website: <a href="http://www.chauvetprofessional.eu">www.chauvetprofessional.eu</a>
<b>Chauvet Mexico</b>	
Address: Av. de las Partidas 34 - 3B (Entrance by Calle 2) Zona Industrial Lerma Lerma, Edo. de México, CP 52000 Voice: +52 (728) 690-2010	Email: <a href="mailto:servicio@chauvet.com.mx">servicio@chauvet.com.mx</a>  Website: <a href="http://www.chauvetprofessional.mx">www.chauvetprofessional.mx</a>

Visit the applicable website above to verify our contact information and instructions to request support. Outside the U.S., United Kingdom, Ireland, Mexico, France, Germany, or Benelux, contact the dealer of record.