

OVATION

F-415FC

Quick Reference Guide

English	EN
Español	ES
Français	FR
Deutsch	DE
Nederlands	NL



Model ID: OVATIONF415FC-2

CHAUVET
PROFESSIONAL

About This Guide

The Ovation F-415FC Quick Reference Guide (QRG) has basic product information such as connection, mounting, menu options, and DMX values. Download the User Manual from www.chauvetprofessional.com for more details.

Disclaimer

The information and specifications contained in this QRG are subject to change without notice.

LIMITED WARRANTY

FOR WARRANTY REGISTRATION AND COMPLETE TERMS AND CONDITIONS PLEASE VISIT OUR WEBSITE.

For Customers in the United States and Mexico: www.chauvetlighting.com/warranty-registration/.

For Customers in the United Kingdom, Republic of Ireland, Belgium, the Netherlands, Luxembourg, France, and Germany: www.chauvetlighting.eu/warranty-registration/.

Chauvet warrants that this product shall be free from defects in material and workmanship under normal use, for the period specified in and subject to the exclusions and limitations set forth in, the full limited warranty on our website. This warranty extends only to the original purchaser of the product and is not transferable. To exercise rights under this warranty, the customer must provide proof of purchase in the form of an original sales receipt from an authorized dealer that shows the product name and date of purchase. **THERE ARE NO OTHER EXPRESS OR IMPLIED WARRANTIES.** This warranty gives the customer specific legal rights. The customer may also have other rights that vary from state to state and country to country. This warranty is valid only in the United States, United Kingdom, Republic of Ireland, Belgium, the Netherlands, Luxembourg, France, Germany and Mexico. For warranty terms in other countries, please consult a local distributor.

Safety Notes

- DO NOT open this product. It contains no user-serviceable parts.
- DO NOT look at the light source when the product is on.
- DO NOT operate this product outdoors or in any location where dust, excessive heat, water, or humidity may affect it (IP20).
- DO NOT leave any flammable material within 50 cm of this product while operating or connected to power.
- DO NOT operate this product if the housing, lenses, or cables appear damaged.
- DO NOT connect this product to a dimmer or rheostat.
- CAUTION: This product's housing may be hot when lights are operating.
- CAUTION: When transferring product from extreme temperature environments, (e.g., cold truck to warm humid ballroom) condensation may form on the internal electronics of the product. To avoid causing a failure, allow product to fully acclimate to the surrounding environment before connecting it to power.
- USE a safety cable when mounting this product overhead.
- ONLY connect this product to a grounded and protected circuit.
- ONLY use the hanging/mounting bracket to carry this product.
- Mount this product in a location with adequate ventilation, at least 20 in (50 cm) from adjacent surfaces.
- To eliminate unnecessary wear and improve its lifespan, during periods of non-use completely disconnect the product from power via breaker or by unplugging it.
- In the event of a serious operating problem, stop using immediately.
- The maximum ambient temperature is 113 °F (45 °C). Do not operate this product at higher temperatures.

FCC Compliance

This device complies with Part 15 Part B of the FCC Rules. Operation is subject to the following two conditions:

1. This device may not cause harmful interference, and
2. This device must accept any interference received, including interference that may cause undesired operation.

Any changes or modifications not expressly approved by the party responsible for compliance could void the user's authority to operate the equipment.

Contact

Outside the U.S., U.K., Ireland, Benelux, France, Germany, or Mexico, contact a distributor to request support or return a product. Refer to [Contact Us](#) at the end of this QRG for contact information.

What is Included

- Ovation F-415FC
- Seetronic Powerkon IP65 Power cable
- Gel frame
- Quick Reference Guide

AC Power

This product has an auto-ranging power supply that can work with an input voltage range of 100–240 VAC, 50/60 Hz.

Power Linking

It is possible to link up to 8 Ovation F-415FC products at 100 VAC, 10 products at 120 VAC, 18 products at 208 V, 20 products at 230 VAC, or 21 products at 240 VAC. Never exceed this number. Power-linking cords can be purchased separately.

AC Plug

Connection	Wire (U.S.)	Wire (Europe)	Screw Color
AC Live	Black	Brown	Yellow/Brass
AC Neutral	White	Blue	Silver
AC Ground	Green/Yellow	Green/Yellow	Green



To eliminate unnecessary wear and improve its lifespan, during periods of non-use completely disconnect the product from power via breaker or by unplugging it.

Replacing the Fuse

1. Disconnect this product from power.
2. Using a Phillips #2 head screwdriver, unscrew the fuse holder cap from the housing.
3. Remove blown fuse and replace with a good fuse of the same type and rating.
4. Screw the fuse holder cap back in place and reconnect power.

DMX Linking

The Ovation F-415FC will work with a DMX controller using a 3- and 5-pin DMX serial connection. A DMX Primer is available from www.chauvetprofessional.com.

DMX Connection

The Ovation F-415FC uses a 3- and 5-pin DMX data connection for its DMX personalities: **1Ch, 3Ch, 5Ch, 7Ch, 11Ch, 13Ch, 14Ch, 18Ch**, and **HSV**. See the User Manual for information about connecting and configuring the product for DMX operation.

Master/Slave Connection

The Ovation F-415FC uses the DMX data connection for its master/slave mode. See the User Manual for information about how to connect and configure the product for master/slave operation.

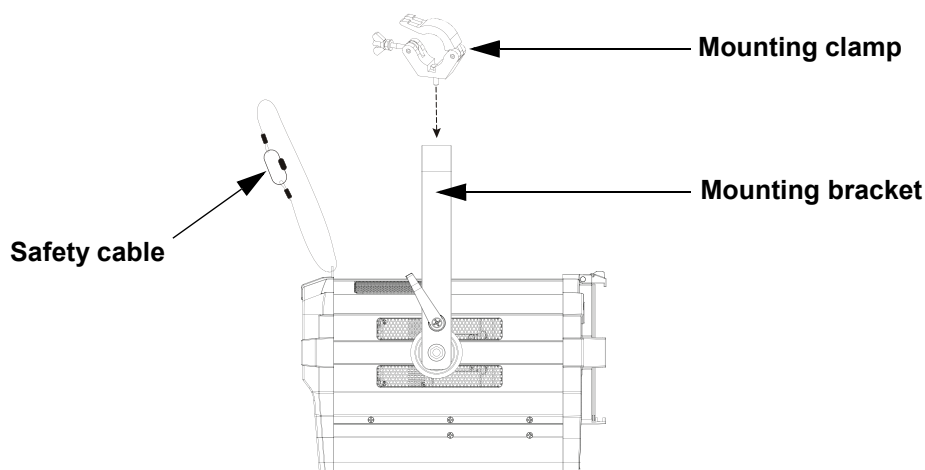
RDM (Remote Device Management)

Remote Device Management, or RDM, is a standard for allowing DMX-enabled devices to communicate bi-directionally along existing DMX cabling. Check with the manufacturer or the DMX controller's User Manual, as not all DMX controllers have this capability. The Ovation F-415FC supports RDM protocol that allows feedback to make changes to menu map options. Download the User Manual from www.chauvetprofessional.com for more details.

Mounting

Before mounting this product, read the [Safety Notes](#). Use at least one mounting point per product. Make sure the mounting clamps can support the weight of the product. For the Chauvet line of mounting clamps, go to: <http://trusst.com/productcategory/truss-clamps/>.

Product Mounting Diagram



EN


Virtual Color Wheel (VCW)

The Ovation F-415FC includes a feature called the Virtual Color Wheel (VCW). This feature is available as a standalone control mode for manual use and as a control channel in select DMX personalities. More than 30 premixed colors, custom blended by Chauvet engineers, are available to call up for easier programming.

The DMX values used to mix these colors are provided below. The overall intensity of the Ovation fixture can be adjusted to more closely replicate familiar industry-standard colors. A chart is available on www.chauvetprofessional.com to compare Chauvet's premixed colors with popular gel colors. This chart is for comparison purposes only and is not an assertion that Chauvet's premixed colors match any of the gel colors listed.


Virtual Color Wheel Chart

DMX Value	Display Readout	Red Value	Green	Blue	Amber	Lime
000 ⇄ 005	--	000	000	000	000	000
006 ⇄ 013	C3050 - Md Yellow	233	163	020	123	255
014 ⇄ 021	C3040 - Lt Yellow	224	158	047	255	231
022 ⇄ 028	C3240 - Amb Yellow	180	060	000	245	255
029 ⇄ 035	C2340 - VLt Amber	245	107	081	255	213
036 ⇄ 043	C2040 - Lt Amber	230	130	062	255	155
044 ⇄ 051	C2050 - Md Amber	255	000	025	255	194
052 ⇄ 059	C2060 - Dk Amber	255	000	024	255	150
060 ⇄ 067	C1050 - Lt Red	255	037	027	030	038
068 ⇄ 075	C1080 - Md Red	255	004	017	000	000
076 ⇄ 083	C1020 - NC Pink	238	135	129	255	255
084 ⇄ 091	C1030 - Md Pink	255	131	120	255	195
092 ⇄ 099	C1630 - Dk Pink	255	165	123	255	210
100 ⇄ 107	C1250 - Md Red Amber	255	000	041	195	055
108 ⇄ 115	C1060 - Dk Red Amber	255	000	045	120	030
116 ⇄ 121	C1650 - Magenta	255	050	115	255	115
122 ⇄ 130	C6170 - Dk Magenta	255	035	117	000	000
131 ⇄ 138	C6020 - Lt Lavender	127	122	142	251	255
139 ⇄ 146	C5030 - Lt Blue	000	255	197	100	255
147 ⇄ 154	C5020 - VLt Blue	158	255	189	000	255
155 ⇄ 162	C5430 - Lt Blue 2	000	255	180	000	243
163 ⇄ 170	C5070 - Blue	043	255	210	043	036
171 ⇄ 178	C5050 - Md Blue	000	255	218	000	181
179 ⇄ 186	C5060 - Dk Blue	000	210	206	000	118
187 ⇄ 194	C5690 - Indigo	065	000	210	040	055
195 ⇄ 202	C5080 - VDK Blue	000	203	230	000	040
203 ⇄ 210	C5081 - VDK Blue2	040	199	240	000	045
211 ⇄ 218	C4370 - Yel Green	027	255	028	016	104
219 ⇄ 226	C4070 - Green	049	255	055	120	090
227 ⇄ 234	C4550 - Turquoise	060	230	109	000	245
235 ⇄ 242	C4560 - Aqua	020	240	126	036	255
243 ⇄ 250	C4570 - Blue Green	000	255	079	030	053
251 ⇄ 255	--	000	000	000	000	000

 The colors above are simulated renditions of the color output produced compared with other similar incandescent products. Chauvet makes no guarantee of the color output accuracy.

Color Temperature Chart

DMX Value	Display Readout	Red Value	Green	Blue	Amber	Lime
000 ⇄ 005	--	000	000	000	000	000
006 ⇄ 025	2800K	198	065	056	220	230
026 ⇄ 050	3000K	181	078	074	220	230
051 ⇄ 075	3200K	165	092	093	220	230
076 ⇄ 100	3500K	153	128	111	220	230
101 ⇄ 125	4000K	127	128	163	220	230
126 ⇄ 150	4500K	106	128	200	220	230
151 ⇄ 175	5000K	092	128	230	220	230
176 ⇄ 200	5600K	073	128	255	220	230
201 ⇄ 225	6000K	048	128	255	220	230
226 ⇄ 250	6500K	019	128	255	220	230
251 ⇄ 255	--	000	000	000	000	000

 The color temperatures above are simulated renditions of the color output produced compared with a tungsten lamp at the specified color temperature. Chauvet makes no guarantee of the color output accuracy.

Control Panel Description

Button	Function
<MENU>	Exits from the current menu or function
<ENTER>	Enables the currently displayed menu or sets the currently selected value into the selected function
<UP>	Navigates upwards through the menu list or increases the numeric value when in a function
<DOWN>	Navigates downwards through the menu list or decreases the numeric value when in a function
<Color Temperature>	Push twice, then turn to select the color temperature
<Dimmer>	Push twice, then turn to increase or decrease the dimmer
<Zoom>	Push twice, then turn to increase or decrease the zoom

Menu Map

Refer to the Ovation F-415FC product page on www.chauvetprofessional.com for the latest menu map.

Main Level	Programming Levels		Description	
DMX Address	001–512*		Selects DMX address (*highest channel restricted to personality chosen)	
DMX Channel	1Ch		1-channel: dimmer	
	3Ch		3-channel: dimmer, virtual color wheel, color temperature	
	5Ch		5-channel: RGBAL	
	7Ch		7-channel: dimmer, RGBAL, strobe	
	11Ch		11-channel: 16-bit dimmer, RGBAL, virtual color wheel, color temperature, strobe, zoom	
	13Ch		13-channel: 16-bit dimmer, 16-bit RGBAL, strobe	
	14Ch		14-channel: dimmer, RGBAL, strobe, virtual color wheel, color temperature, auto show, auto speed, control, zoom, motor reset	
	18Ch		18-channel: 16-bit RGBAL and dimmer, strobe, virtual color wheel, color temperature, zoom, motor reset, control	
	HSV		3-channel: hue, saturation, value	
Virtual Color Wheel	Virtual Color Wheel	C3050 - Md Yellow	Dimmer 0–255	Virtual Color Wheel simulates the output of each gel color. Refer to the Virtual Color Wheel Chart for specific values.
		C3040 - Lt Yellow		
		C3240 - Amb Yellow		
		C2340 - VLt Amber		
		C2040 - Lt Amber		
		C2050 - Md Amber		
		C2060 - Dk Amber		
		C1050 - Lt Red		
		C1080 - Md Red		
		C1020 - NC Pink		
		C1030 - Md Pink		
		C1630 - Dk Pink		
		C1250 - Md Red Amber		
		C1060 - Dk Red Amber		
		C1650 - Magenta		
		C6170 - Dk Magenta		
		C6020 - Lt Lavender		
		C5030 - Lt Blue		
C5020 - VLt Blue				
C5430 - Lt Blue 2				

QUICK REFERENCE GUIDE



EN

Main Level	Programming Levels		Description	
	Virtual Color Wheel (cont.)	C5070 - Blue	Dimmer 0–255	Virtual Color Wheel simulates the output of each gel color. Refer to the Virtual Color Wheel Chart for specific values.
		C5050 - Md Blue		
		C5060 - Dk Blue		
		C5690 - Indigo		
		C5080 - VDK Blue		
		C5081 - VDK Blue 2		
		C4370 - Yel Green		
		C4070 - Green		
		C4550 - Turquoise		
		C4560 - Aqua		
C4570 - Blue Green				
Virtual Color Wheel (cont.)	Color Temperature	2800K	Dimmer 0–255	Preset white color temperatures. Emulates a tungsten lamp at the specified color temperature. Refer to the Color Temperature Chart for specific values.
		3000K		
		3200K		
		3500K		
		4000K		
		4500K		
		5000K		
		5600K		
		6000K		
		6500K		
Manual Color Mixer	Manual Color Mixer	Red	0–255	Combines red, green, blue, amber, and lime to make a custom color (0–100%)
		Green		
		Blue		
		Amber		
		Lime		
Color X-Fade Speed	Color X-Fade Speed	Off	0–255	Turns off the fade transition between colors Creates fade transition between colors when using colors in the Virtual Color Wheel or Color Temperature chart, from fast (X-Fade Speed 1) to slow (X-Fade Speed 4)
		X-Fade Speed 1		
		X-Fade Speed 2		
		X-Fade Speed 3		
		X-Fade Speed 4		
Auto Show	Auto 1–5	1–100	Selects automatic programs and auto program speed	
Zoom	0–255		Controls zoom	
Red Shift	On		Mimics halogen lamp dimming	
	Off			
Master/ Slave	Master		Receives DMX signal from the DMX controller (master)	
	Slave		Receives DMX signal from the master unit	
Dimmer Curve	S-Curve		Sets the dimmer curve	
	Linear			
	Square			
	Inverse Square			
Dimmer Mode	Off		Linear dimmer	
	Dimmer 1–3		Dimming curves, from fast (Dimmer 1) to slow (Dimmer 3)	

Main Level	Programming Levels		Description
White Balance	Manual	Off	Uses factory default white setting
		Red	Sets red LED maximum value
		Green	Sets green LED maximum value
		Blue	Sets blue LED maximum value
		Amber	Sets amber LED maximum value
		Lime	Sets lime LED maximum value
LED Frequency	600Hz		Sets the PWM output frequency
	1200Hz		
	2000Hz		
	4000Hz		
	6000Hz		
	25KHz		
Fan Mode	Auto		Sets the fan to auto mode
	On		Sets the fan to always on
	Off		Sets the fan to always off
	Silent		Sets the fan to silent
Back Light	10S		Turns off display backlight after 10 seconds of inactivity
	30S		Turns off display backlight after 30 seconds of inactivity
	2Min		Turns off display backlight after 2 minutes of inactivity
	Always On		Display backlight always on
Information	Fixture Hours	----_H	Shows total hours the product has been powered on
	LED Hours	----_H	Shows total LED hours
	Version	V._.	Shows current firmware version
	UID	-----	Shows product UID
Reset Zoom w/ Power	No		Keeps zoom in last position when powered on
	Yes		Resets the zoom to home position when powered on
Factory Reset	No		Resets the product to factory default settings
	Yes		



WARNING: When operating in Fan Mode: Off, the fixture will become hotter to the touch than when using other fan modes. Use proper protective equipment to prevent burns. Keep a safe distance from flammable objects.



When operating in Fan Mode: Off, output of the fixture will be reduced and will not reach the same levels as when using other fan modes.

QUICK REFERENCE GUIDE



EN

DMX Values

18Ch / 14Ch / 13Ch / 11Ch / 7Ch / 5Ch / 3Ch

3Ch	5Ch	7Ch	11Ch	13Ch	14Ch	18Ch	Function	Value	Percent/Setting
1	-	1	1	1	1	1	Dimmer	000 ⇔ 255	0-100%
-	-	-	2	2	-	2	Dimmer fine	000 ⇔ 255	0-100%
-	1	2	3	3	2	3	Red	000 ⇔ 255	0-100%
-	-	-	-	4	-	4	Red fine	000 ⇔ 255	0-100%
-	2	3	4	5	3	5	Green	000 ⇔ 255	0-100%
-	-	-	-	6	-	6	Green fine	000 ⇔ 255	0-100%
-	3	4	5	7	4	7	Blue	000 ⇔ 255	0-100%
-	-	-	-	8	-	8	Blue fine	000 ⇔ 255	0-100%
-	4	5	6	9	5	9	Amber	000 ⇔ 255	0-100%
-	-	-	-	10	-	10	Amber fine	000 ⇔ 255	0-100%
-	5	6	7	11	6	11	Lime	000 ⇔ 255	0-100%
-	-	-	-	12	-	12	Lime fine	000 ⇔ 255	0-100%
-	-	7	8	13	7	13	Strobe	000 ⇔ 010 011 ⇔ 255	No function Strobe, slow to fast
2	-	-	9	-	8	14	Virtual color wheel	000 ⇔ 255	See the Virtual Color Wheel Chart
3	-	-	10	-	9	15	Color temperature	000 ⇔ 255	See the Color Temperature Chart
-	-	-	-	-	10	-	Auto programs	000 ⇔ 010 011 ⇔ 060 061 ⇔ 110 111 ⇔ 160 161 ⇔ 210 211 ⇔ 255	No function Auto program 1 Auto program 2 Auto program 3 Auto program 4 Auto program 5
-	-	-	-	-	11	-	Auto speed	000 ⇔ 255	Auto speed, slow to fast
-	-	-	11	-	-	16	Zoom	000 ⇔ 255	Narrow to wide
-	-	-	-	-	-	17	Motor reset	000 ⇔ 200 201 ⇔ 220 221 ⇔ 255	No function Motor reset No function

3Ch	5Ch	7Ch	11Ch	13Ch	14Ch	18Ch	Function	Value	Percent/Setting
-	-	-	-	-	12	18	Control (Hold for 3 seconds, then release)	000 ⇔ 007	No function
								008 ⇔ 015	Dimmer reset
								016 ⇔ 023	Red shift on
								024 ⇔ 031	Red shift off
								032 ⇔ 039	Dimmer: S-Curve
								040 ⇔ 047	Dimmer: linear
								048 ⇔ 055	Dimmer: square
								056 ⇔ 063	Dimmer: inverse square
								064 ⇔ 071	Dimmer speed mode off
								072 ⇔ 079	Dimmer speed mode 1
								080 ⇔ 087	Dimmer speed mode 2
								088 ⇔ 095	Dimmer speed mode 3
								096 ⇔ 103	Fan auto
								104 ⇔ 111	Fan on
								112 ⇔ 119	Fan off
								120 ⇔ 127	Fan silent
								128 ⇔ 135	X-Fade Speed: OFF
							136 ⇔ 143	X-Fade Speed: 1 (fastest)	
							144 ⇔ 151	X-Fade Speed: 2	
							152 ⇔ 159	X-Fade Speed: 3	
							160 ⇔ 167	X-Fade Speed: 4 (slowest)	
							168 ⇔ 225	No Function	
-	-	-	-	-	13	-	Zoom	000 ⇔ 255	Narrow to wide
-	-	-	-	-	14	-	Motor reset	000 ⇔ 200	No function
								201 ⇔ 220	Motor reset
								221 ⇔ 255	No function

1Ch

Channel	Function	Value	Percent/Setting
1	Dimmer	000 ⇔ 255	0–100% (color set through menu)

HSV

Channel	Function	Value	Percent/Setting
1	Hue	000 ⇔ 255	0–100%
2	Saturation	000 ⇔ 255	0–100%
3	Value	000 ⇔ 255	0–100%

Acerca de Esta Guía

La Guía de Referencia Rápida (GRR) del Ovation F-415FC contiene información básica sobre el producto, como montaje, opciones de menú y valores DMX. Descargue el Manual de Usuario de www.chauvetprofessional.com para información más detallada.

Exención de Responsabilidad

La información y especificaciones contenidas en esta GRR están sujetas a cambio sin previo aviso.

GARANTÍA LIMITADA

PARA VER EL REGISTRO DE GARANTÍA Y LOS TÉRMINOS Y CONDICIONES COMPLETOS, VISITE NUESTRO SITIO WEB.

Para clientes en los Estados Unidos y México: www.chauvetlighting.com/warranty-registration.

Para clientes en Reino Unido, República de Irlanda, Bélgica, Países Bajos, Luxemburgo, Francia y Alemania: www.chauvetlighting.eu/warranty-registration/.

Chauvet garantiza que este producto estará libre de defectos de material y mano de obra en condiciones de uso normales, durante el periodo especificado, sujeto siempre a las exclusiones y limitaciones establecidas en la garantía limitada completa de nuestro sitio web. Esta garantía se concede únicamente al comprador original del producto y no es transferible. Para ejercer los derechos que otorga esta garantía, usted debe proporcionar una prueba de compra en forma de un recibo de compra original, expedido por un distribuidor autorizado, donde figure el nombre del producto y la fecha de compra. **NO EXISTEN OTRAS GARANTÍAS EXPRESAS NI IMPLÍCITAS.** Esta garantía le otorga derechos legales específicos. Es posible que a usted le asistan otros derechos, que variarán dependiendo del estado o del país. Esta garantía solamente es válida en los Estados Unidos, Reino Unido, República de Irlanda, Bélgica, Países Bajos, Luxemburgo, Francia, Alemania y México. Para conocer los términos de garantía en otros países, consulte a su distribuidor local.

Notas de Seguridad

- NO abra este producto. No contiene piezas reparables por el usuario.
- NO mire a la fuente de luz cuando el producto esté encendido.
- NO ponga en funcionamiento este producto en el exterior o en cualquier ubicación en la que el polvo, calor excesivo, agua o humedad puedan afectarlo (IP20).
- NO deje ningún material inflamable a menos de 50 cm de este producto mientras esté funcionando o conectado a la alimentación.
- NO ponga en funcionamiento este producto si sospecha que la carcasa, lentes o cables están dañados.
- NO conecte este producto a un atenuador o reostato.
- CUIDADO: La carcasa de este producto está caliente cuando las luces están en funcionamiento.
- CUIDADO: Cuando transfiera el producto desde ambientes con temperatura extrema (p. ej., del remolque frío de un camión a una sala de baile con calor y humedad), puede formarse condensación en la electrónica interna del producto. Para evitar que se produzca una avería, deje que el producto se aclimate completamente al ambiente antes de conectar la alimentación.
- USE un cable de seguridad cuando monte este producto en lo alto.
- Conecte este producto SOLO a un circuito con toma de tierra y protegido.
- Use SOLAMENTE los soportes de colgar/montar para mover este producto.
- Monte este producto en una ubicación con ventilación adecuada, al menos a 20" (50 cm) de superficies adyacentes.
- Para evitar un desgaste innecesario y alargar su vida útil, desconecte completamente el producto de la alimentación, mediante el interruptor o desenchufándolo, durante los periodos en los que no se use.
- En caso de un problema grave de funcionamiento, deje de usarlo inmediatamente.
- La máxima temperatura ambiente es de 113 °F (45 °C). No haga funcionar este producto a temperaturas más altas.

Cumplimiento de la FCC

Este dispositivo cumple la parte 15, parte B de las normas FCC. El funcionamiento está supeditado al cumplimiento de estas dos condiciones:

1. Este dispositivo no puede causar interferencias perjudiciales; y
2. Este dispositivo debe aceptar cualquier interferencia recibida, incluyendo las interferencias que puedan causar un funcionamiento no deseado.

Cualquier cambio o modificación que no haya sido expresamente autorizado por la parte responsable de conformidad puede anular la potestad del usuario para hacer funcionar el equipo.

Contacto

Fuera de EE. UU., Reino Unido, Irlanda, Benelux, Francia, Alemania o México, póngase en contacto con su distribuidor para solicitar asistencia o devolver el producto. Visite [Contact Us](#) para información de contacto.

Qué va Incluido

- Ovation F-415FC
- Cable de alimentación seetronic powerkon IP65
- Marco de gel
- Guía de Referencia Rápida

Corriente Alterna

Este producto tiene una fuente de alimentación con detección automática que puede funcionar con un rango de tensión de entrada de 100 a 240 VCA, 50/60 Hz.

Alimentación en Cadena

Puede enlazar hasta 8 productos Ovation F-415FC a 100 V, 10 productos a 120 V, 18 productos a 208 V, 20 productos a 230 V, o 21 productos a 240 V. Nunca sobrepase este número. Los cables de alimentación en cadena se pueden adquirir por separado.

Enchufe CA

Conexión	Cable (EE.UU.)	Cable (Europa)	Color del tornillo
CA Cargado	Negro	Marrón	Amarillo/Latón
CA Neutro	Blanco	Azul	Plata
CA Tierra	Verde/Amarillo	Verde/Amarillo	Verde



Para evitar un desgaste innecesario y alargar su vida útil, desconecte complemente el producto de la alimentación, mediante el interruptor o desenchufándolo, durante los periodos en los que no se use.

Sustitución del Fusible

1. Desconecte el producto de la toma de corriente.
2. Con un destornillador de estrella N°2, desatornille la tapa del portafusibles.
3. Quite el fusible fundido del portafusibles y sustitúyalo con otro del mismo tipo y categoría.
4. Vuelva a atornillar la tapa del portafusibles en su sitio y conecte de nuevo la alimentación.

Enlace DMX

El Ovation F-415FC funcionará con un controlador DMX usando una conexión serial DMX de 3- y 5-pines. Hay un manual DMX disponible en www.chauvetprofessional.com.

Conexión DMX

El Ovation F-415FC usa una conexión de datos DMX de 3 y 5 pines para sus personalidades: **1Ch, 3Ch, 5Ch, 7Ch, 11Ch, 13Ch, 14Ch, 18Ch** y **HSV**. Vea el Manual de Usuario para conectar y configurar para funcionamiento DMX.

Conexión Maestro/Esclavo

El Ovation F-415FC usa la conexión de datos DMX para su modo Maestro/Esclavo. Vea el Manual de Usuario para conectar y configurar para funcionamiento Maestro/Esclavo.

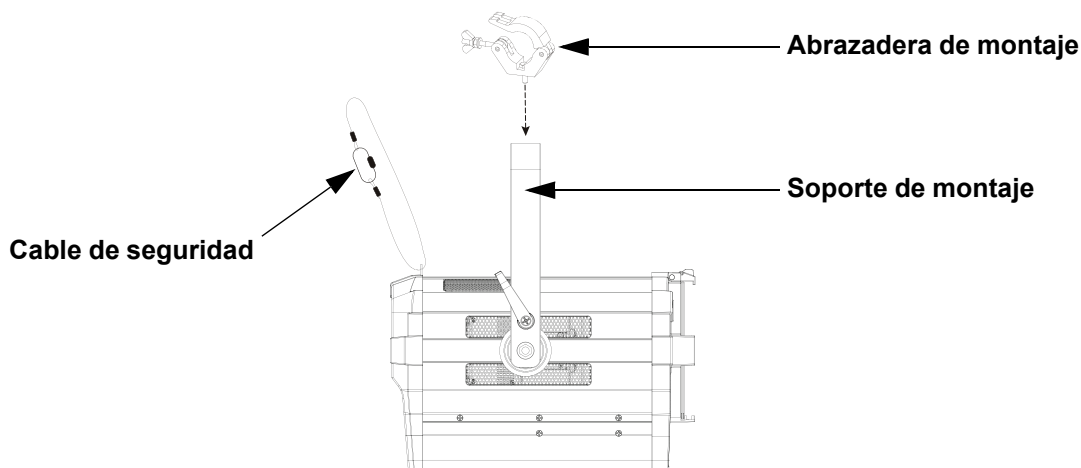
RDM (gestión remota del dispositivo)

Remote Device Management (gestión remota del dispositivo) o RDM, es un estándar que permite a los dispositivos con capacidad DMX una comunicación bidireccional por un cableado DMX existente. El Ovation F-415FC admite protocolo RDM, que posibilita información para supervisar cambiar las opciones del mapa de menú. Descargue el manual de usuario de www.chauvetprofessional.com para una información más detallada.

Montaje

Antes de montar este producto, lea las [Notas de Seguridad](#). Asegúrese de que las abrazaderas de montaje son capaces de soportar el peso del producto. Para nuestra línea Chauvet de abrazaderas de montaje, visite: <http://trusst.com/productcategory/truss-clamps/>.

Diagrama de Montaje del Producto



Rueda de Color Virtual (VCW)

El Ovation F-415FC incluye una función de rueda de color virtual llamada Virtual Color Wheel (VCW). Esta función está disponible como modo de control independiente para uso manual y también como canal de control en algunas personalidades DMX del dispositivo. Más de 30 colores premezclados, elaborados por nuestros ingenieros, están disponibles para facilitar la programación. Los valores DMX utilizados para mezclar estos colores se indican más abajo. Puede ajustar la intensidad general del dispositivo Ovation para reproducir más fielmente los colores a los que esté habituado. Hay un gráfico a su disposición en nuestro sitio web www.chauvetprofessional.com para comparar nuestros colores premezclados con los colores de gel más populares. Este gráfico sirve solamente para comparar y no implica que nuestros colores premezclados coincidan exactamente con los colores de gel listados.

Tabla de colores VCW

Valor DMX	Lectura en Pantalla	Valor Rojo	Verde	Azul	Ámbar	Limón
000 ⇔ 005	--	000	000	000	000	000
006 ⇔ 013	C3050 - Md Yellow	233	163	020	123	255
014 ⇔ 021	C3040 - Lt Yellow	224	158	047	255	231
022 ⇔ 028	C3240 - Amb Yellow	180	060	000	245	255
029 ⇔ 035	C2340 - Vlt Amber	245	107	081	255	213
036 ⇔ 043	C2040 - Lt Amber	230	130	062	255	155
044 ⇔ 051	C2050 - Md Amber	255	000	025	255	194
052 ⇔ 059	C2060 - Dk Amber	255	000	024	255	150
060 ⇔ 067	C1050 - Lt Red	255	037	027	030	038
068 ⇔ 075	C1080 - Md Red	255	004	017	000	000
076 ⇔ 083	C1020 - NC Pink	238	135	129	255	255
084 ⇔ 091	C1030 - Md Pink	255	131	120	255	195
092 ⇔ 099	C1630 - Dk Pink	255	165	123	255	210
100 ⇔ 107	C1250 - Md Red Amber	255	000	041	195	055
108 ⇔ 115	C1060 - Dk Red Amber	255	000	045	120	030
116 ⇔ 121	C1650 - Magenta	255	050	115	255	115
122 ⇔ 130	C6170 - Dk Magenta	255	035	117	000	000
131 ⇔ 138	C6020 - Lt Lavender	127	122	142	251	255
139 ⇔ 146	C5030 - Lt Blue	000	255	197	100	255
147 ⇔ 154	C5020 - Vlt Blue	158	255	189	000	255
155 ⇔ 162	C5430 - Lt Blue 2	000	255	180	000	243
163 ⇔ 170	C5070 - Blue	043	255	210	043	036
171 ⇔ 178	C5050 - Md Blue	000	255	218	000	181
179 ⇔ 186	C5060 - Dk Blue	000	210	206	000	118
187 ⇔ 194	C5690 - Indigo	065	000	210	040	055
195 ⇔ 202	C5080 - Vdk Blue	000	203	230	000	040
203 ⇔ 210	C5081 - Vdk Blue2	040	199	240	000	045
211 ⇔ 218	C4370 - Yel Green	027	255	028	016	104
219 ⇔ 226	C4070 - Green	049	255	055	120	090
227 ⇔ 234	C4550 - Turquoise	060	230	109	000	245
235 ⇔ 242	C4560 - Aqua	020	240	126	036	255
243 ⇔ 250	C4570 - Blue Green	000	255	079	030	053
251 ⇔ 255	--	000	000	000	000	000



 Los colores listados son interpretaciones simuladas de la emisión de color generada en comparación con otros productos incandescentes similares. Chauvet no garantiza la exactitud del color emitido.

Gráfico de temperaturas de color

Valor DMX	Lectura en Pantalla	Valor Rojo	Verde	Azul	Ámbar	Limón
000 ⇔ 005	--	000	000	000	000	000
006 ⇔ 025	2800K	198	065	056	220	230
026 ⇔ 050	3000K	181	078	074	220	230
051 ⇔ 075	3200K	165	092	093	220	230
076 ⇔ 100	3500K	153	128	111	220	230
101 ⇔ 125	4000K	127	128	163	220	230
126 ⇔ 150	4500K	106	128	200	220	230
151 ⇔ 175	5000K	092	128	230	220	230
176 ⇔ 200	5600K	073	128	255	220	230
201 ⇔ 225	6000K	048	128	255	220	230
226 ⇔ 250	6500K	019	128	255	220	230
251 ⇔ 255	--	000	000	000	000	000

 Las temperaturas de color que aparecen arriba son interpretaciones simuladas de la emisión de color producida cuando se compara con una lámpara de tungsteno a la temperatura de color especificada. Chauvet no garantiza la exactitud del color emitido.

Descripción del Panel de Control

Botón	Función
<MENU>	Sale del menú o función actual
<ENTER>	Habilita el menú actualmente en pantalla o configura el valor seleccionado actualmente dentro de la función seleccionada
<UP>	Navega hacia arriba por la lista de menú o aumenta el valor numérico cuando está en una función
<DOWN>	Navega hacia abajo por la lista de menú o disminuye el valor numérico cuando está en una función
<Color Temperature>	Empuje y después gire para seleccionar la temperatura de color
<Dimmer>	Empuje y después gire para aumentar o reducir el atenuador
<Zoom>	Empuje y después gire para aumentar o reducir el zoom

Mapa de Menú

Consulte la página del producto Ovation F-415FC en www.chauvetprofessional.com para ver el último mapa de menú.

Nivel Principal	Niveles de Programación		Descripción	
DMX Address	001–512*		Selecciona la dirección de inicio (*canal más alto restringido a la elección de personalidad)	
DMX Channel	1Ch		1 canal: atenuador	
	3Ch		3 canales: atenuador, VCW, temperatura de color	
	5Ch		5 canales: control RVAAL	
	7Ch		7 canales: control RVAAL, atenuador, estroboscopio	
	11Ch		11 canales: atenuador, fino atenuador, control RVAAL, estroboscopio, VCW, temperatura de color, zoom	
	13Ch		13 canales: 16-bit control RVAAL y atenuador, estroboscopio	
	14Ch		14 canales: atenuador, RVAAL, estroboscopio, VCW, temperatura de color, programas automática, velocidad automática, control, zoom, reinicio del motor	
	18Ch		18 canales: atenuador, fino atenuador, 16-bit control RVAAL, estroboscopio, VCW, temperatura de color, zoom, reinicio del motor, control	
	HSV		3 canales: tono, saturación, valor	
Virtual Color Wheel	Virtual Color Wheel	C3050 - Md Yellow	Dimmer 0–255	Rueda de Color Virtual simula la emisión de cada gel de color. Consulte la sección Tabla de colores VCW para ver los valores específicos.
		C3040 - Lt Yellow		
		C3240 - Amb Yellow		
		C2340 - VLt Amber		
		C2040 - Lt Amber		
		C2050 - Md Amber		
		C2060 - Dk Amber		
		C1050 - Lt Red		
		C1080 - Md Red		
		C1020 - NC Pink		
		C1030 - Md Pink		
		C1630 - Dk Pink		
		C1250 - Md Red Amber		
		C1060 - Dk Red Amber		
		C1650 - Magenta		
		C6170 - Dk Magenta		
		C6020 - Lt Lavender		
		C5030 - Lt Blue		
C5020 - VLt Blue				
C5430 - Lt Blue 2				

Nivel Principal	Niveles de Programación		Descripción	
Virtual Color Wheel (cont.)	Virtual Color Wheel (cont.)	C5070 - Blue	Dimmer 0-255	Rueda de Color Virtual simula la emisión de cada gel de color. Consulte la sección Tabla de colores VCW para ver los valores específicos.
		C5050 - Md Blue		
		C5060 - Dk Blue		
		C5690 - Indigo		
		C5080 - VDk Blue		
		C5081 - VDk Blue 2		
		C4370 - Yel Green		
		C4070 - Green		
		C4550 - Turquoise		
		C4560 - Aqua		
C4570 - Blue Green				
Virtual Color Wheel (cont.)	Color Temperature	2800K	Dimmer 0-255	Temperaturas de color blanco. Emula una lámpara de tungsteno a la temperatura de color especificada. Consulte el apartado Gráfico de temperaturas de color para ver valores concretos.
		3000K		
		3200K		
		3500K		
		4000K		
		4500K		
		5000K		
		5600K		
		6000K		
		6500K		
Virtual Color Wheel (cont.)	Manual Color Mixer	Red	0-255	Combina rojo, verde, azul, ámbar y lime para generar un color personalizado (0-100%)
		Green		
		Blue		
		Amber		
		Lime		
Virtual Color Wheel (cont.)	Color X-Fade Speed	Off		Desactiva la transición de desvanecimiento entre colores
		X-Fade Speed 1		Crea una transición de desvanecimiento entre colores cuando se utilizan colores en la rueda de color virtual o en la tabla de temperatura de color, desde rápido (X-Fade Speed 1) hasta lento (X-Fade Speed 4)
		X-Fade Speed 2		
		X-Fade Speed 3		
X-Fade Speed 4				
Auto Show	Auto 1-5	1-100		Selecciona programas automáticos y velocidad de programas automáticos
Zoom	0-255			Controla el zoom
Red Shift	On			Imita la atenuación de una lámpara halógena
	Off			
Master/ Slave	Master			Recibe señales DMX del controlador DMX (maestro)
	Slave			Recibe señales del maestro
Dimmer Curve	S-Curve			Configura la curva del atenuador
	Linear			
	Square			
	Inverse Square			
Dimmer Mode	Off			Atenuador lineal
	Dimmer 1-3			Curvas de atenuador, rápido (Dimmer 1) a lento (Dimmer 3)

Nivel Principal	Niveles de Programación		Descripción
White Balance	Manual	Off	Utiliza la configuración de blanco predeterminada de fábrica
		Red	Establece el valor máximo de LED rojo
		Green	Establece el valor máximo de LED verde
		Blue	Establece el valor máximo de LED azul
		Amber	Establece el valor máximo de LED ámbar
		Lime	Establece el valor máximo de LED lime
LED Frequency	600Hz		Selecciona la frecuencia de emisión PWM
	1200Hz		
	2000Hz		
	4000Hz		
	6000Hz		
	25KHz		
Fan Mode	Auto		Establece el ventilador a modo auto
	On		Establece el ventilador a modo siempre encendido
	Off		Establece el ventilador siempre apagado
	Silent		Establece el ventilador en silencio
Back Light	10S		Retro-iluminación de la pantalla se apaga después de 10 segundos de inactividad
	30S		Retro-iluminación de la pantalla se apaga después de 30 segundos de inactividad
	2Min		Retro-iluminación de la pantalla se apaga después de 2 minutos de inactividad
	Always On		Retro-iluminación de la pantalla siempre activa
Information	Fixture Hours	___H	Muestra el nombre total de las horas del producto
	LED Hours	___H	Muestra el total de horas de LED
	Version	V_.	Muestra instalada la versión de firmware
	UID	_____	Muestra el UID # del producto
Reset Zoom w/ Power	No		Mantiene el zoom en la última posición cuando se enciende
	Yes		Restablece el zoom a la posición inicial cuando se enciende
Factory Reset	No		Reinicia a la configuración de fábrica
	Yes		



ADVERTENCIA: Cuando funcione en modo ventilador: apagado, el aparato estará más caliente al tacto que si se usan otros modos de ventilador. Utilice un equipo de protección adecuado para evitar quemaduras. Mantenga una distancia de seguridad con objetos inflamable.



Quando funcione en modo ventilador: apagado, bajará el rendimiento del aparato y no alcanzará los mismos niveles que cuando use otros modos de ventilador.

ES

Valores DMX

18Ch / 14Ch / 13Ch / 11Ch / 7Ch / 5Ch / 3Ch

3Ch	5Ch	7Ch	11Ch	13Ch	14Ch	18Ch	Función	Valor	Porcentaje/Configuración
1	-	1	1	1	1	1	Atenuador	000 ⇔ 255	0-100%
-	-	-	2	2	-	2	Atenuador fino	000 ⇔ 255	0-100%
-	1	2	3	3	2	3	Rojo	000 ⇔ 255	0-100%
-	-	-	-	4	-	4	Rojo fino	000 ⇔ 255	0-100%
-	2	3	4	5	3	5	Verde	000 ⇔ 255	0-100%
-	-	-	-	6	-	6	Verde fino	000 ⇔ 255	0-100%
-	3	4	5	7	4	7	Azul real	000 ⇔ 255	0-100%
-	-	-	-	8	-	8	Azul real fino	000 ⇔ 255	0-100%
-	4	5	6	9	5	9	Ámbar	000 ⇔ 255	0-100%
-	-	-	-	10	-	10	Ámbar fino	000 ⇔ 255	0-100%
-	5	6	7	11	6	11	Lima	000 ⇔ 255	0-100%
-	-	-	-	12	-	12	Lima fino	000 ⇔ 255	0-100%
-	-	7	8	13	7	13	Estroboscopio	000 ⇔ 010	Sin función
-	-	-	-	-	-	-		011 ⇔ 255	Estroboscopio, lento a rápido
2	-	-	9	-	8	14	Rueda de color virtual	000 ⇔ 255	Ver la Tabla de colores VCW
3	-	-	10	-	9	15	Temperatura del color	000 ⇔ 255	Ver la Gráfico de temperaturas de color
-	-	-	-	-	10	-	Programas automática	000 ⇔ 010	Sin función
-	-	-	-	-	-	-		011 ⇔ 060	Auto programas 1
-	-	-	-	-	-	-		061 ⇔ 110	Auto programas 2
-	-	-	-	-	-	-		111 ⇔ 160	Auto programas 3
-	-	-	-	-	-	-		161 ⇔ 210	Auto programas 4
-	-	-	-	-	-	-	211 ⇔ 255	Auto programas 5	
-	-	-	-	-	11	-	Velocidad automática	000 ⇔ 255	0-100%
-	-	-	11	-	-	16	Zoom	000 ⇔ 255	Estrecho a ancho
-	-	-	-	-	-	17	Reinicio del motor	000 ⇔ 200	Sin función
-	-	-	-	-	-	-		201 ⇔ 220	Reinicio del motor
-	-	-	-	-	-	-		221 ⇔ 255	Sin función

3Ch	5Ch	7Ch	11Ch	13Ch	14Ch	18Ch	Función	Valor	Porcentaje/Configuración
								000 ⇔ 007	Sin función
								008 ⇔ 015	Reinicia a el atenuador
								016 ⇔ 023	Cambio de rojo: encendido
								024 ⇔ 031	Cambio de rojo: apagado
								032 ⇔ 039	Curva de atenuador curva-S
								040 ⇔ 047	Curva de atenuador lineal
								048 ⇔ 055	Curva de atenuador cuadrado
								056 ⇔ 063	Curva de atenuador cuadrado inverso
								064 ⇔ 071	Modo atenuador apagado
								072 ⇔ 079	Modo atenuador 1
								080 ⇔ 087	Modo atenuador 2
								088 ⇔ 095	Modo atenuador 3
-	-	-	-	-	12	18	Control (mantenga por 3 segundos, luego suelte)	096 ⇔ 103	Establece el ventilador a modo auto
								104 ⇔ 111	Establece el ventilador a modo siempre encendido
								112 ⇔ 119	Establece el ventilador siempre apagado
								120 ⇔ 127	Establece el ventilador en silencio
								128 ⇔ 135	Velocidad X-Fade: desactiva
								136 ⇔ 143	Velocidad X-Fade 1 (más rápida)
								144 ⇔ 151	Velocidad X-Fade 2
								152 ⇔ 159	Velocidad X-Fade 3
								160 ⇔ 167	Velocidad X-Fade 4 (más lenta)
								168 ⇔ 225	Reservado para utilización futura
-	-	-	-	-	13	-	Zoom	000 ⇔ 255	Estrecho a ancho
								000 ⇔ 200	Sin función
-	-	-	-	-	14	-	Reinicio del motor	201 ⇔ 220	Reinicio del motor
								221 ⇔ 255	Sin función

1Ch

Canal	Función	Valor	Porcentaje/Configuración
1	Atenuador	000 ⇔ 255	0-100% (configura el color desde la pantalla de menú)

HSV

Canal	Función	Valor	Porcentaje/Configuración
1	Tono	000 ⇔ 255	0-100%
2	Saturación	000 ⇔ 255	0-100%
3	Valor	000 ⇔ 255	0-100%

À Propos de ce Manuel

Le Manuel de Référence du Ovation F-415FC (MR) reprend des informations de base sur cet appareil notamment en matière de connexions, montage, options de menu et valeurs DMX. Télécharger le Manuel d'Utilisation sur www.chauvetprofessional.com pour de plus amples informations.

Clause de Non-Responsabilité

Les informations et caractéristiques contenues dans ce manuel sont sujettes à changement sans préavis.

GARANTIE LIMITÉE

VEUILLEZ VISITER NOTRE SITE INTERNET POUR CONSULTER LES MODALITÉS D'ENREGISTREMENT DE LA GARANTIE ET LES CONDITIONS GÉNÉRALES COMPLÈTES.

Pour les clients aux États-Unis et au Mexique: www.chauvetlighting.com/warranty-registration.

Pour les clients du Royaume-Uni, de la République d'Irlande, de la Belgique, des Pays-Bas, du Luxembourg, de la France et de l'Allemagne: www.chauvetlighting.eu/warranty-registration/.

Chauvet garantit que cet appareil est exempt de défauts de matériaux et de fabrication dans des conditions normales d'utilisation, pendant la période spécifiée dans la garantie limitée complète consultable sur notre site Internet et sous réserve des exclusions et limitations qui y sont énoncées. Cette garantie ne s'applique qu'à l'acheteur initial du produit et n'est pas transférable. Pour exercer les droits prévus par cette garantie, vous devez fournir une preuve d'achat sous la forme d'un reçu de vente original d'un revendeur autorisé qui indique le nom du produit et la date d'achat. IL N'EXISTE AUCUNE AUTRE GARANTIE EXPRESSE OU IMPLICITE. Cette garantie vous confère des droits légaux spécifiques. Vous pouvez également bénéficier d'autres droits qui varient selon les états et les pays. Cette garantie n'est valable qu'aux États-Unis, au Royaume-Uni, en République d'Irlande, en Belgique, aux Pays-Bas, au Luxembourg, en France, en Allemagne et au Mexique. Pour connaître les conditions de garantie dans d'autres pays, veuillez consulter votre revendeur local.

Consignes de Sécurité

- N'ouvrez PAS cet appareil. Il ne contient aucun composant susceptible d'être réparé par l'utilisateur.
- Ne regardez PAS la source lumineuse lorsque l'appareil fonctionne.
- N'utilisez PAS ce produit en extérieur ou tout autre endroit où de la poussière, une chaleur excessive, de l'eau ou de l'humidité pour en affecter le fonctionnement (IP20).
- Ne laissez AUCUNE source inflammable dans un rayon de 50 cm de l'appareil lorsque celui-ci fonctionne.
- N'utilisez PAS cet appareil si le boîtier, les lentilles ou les câbles vous semblent endommagés.
- Ne connectez PAS cet appareil ni à un gradateur ni à un rhéostat.
- ATTENTION : le boîtier de cet appareil est brûlant lors du fonctionnement.
- ATTENTION : Lorsque l'appareil est transféré d'un environnement à température extrême à un autre (par exemple d'un camion froid vers une salle de bal chaude et humide), de la condensation peut se former sur les composants électriques internes. Pour éviter de causer des dommages, laissez l'appareil s'acclimater entièrement au milieu environnant avant de le mettre sous tension.
- Utilisez TOUJOURS un câble de sécurité lorsque vous montez cet appareil en hauteur.
- Connectez UNIQUEMENT cet appareil à un circuit protégé et relié à la terre.
- Transportez/Suspendez cet appareil UNIQUEMENT par le support de montage dont il est doté.
- Montez toujours cet appareil dans un endroit bien ventilé, à au moins, 20 pouces (50 cm) des surfaces adjacentes.
- Durant les périodes de non-utilisation, pour éviter toute usure inutile et pour prolonger la durée de vie, déconnectez-entièrement l'appareil en le débranchant de l'alimentation électrique ou en coupant le disjoncteur.
- En cas de sérieux problèmes de fonctionnement, arrêtez le système immédiatement.
- La température ambiante maximale supportée par cet appareil est de 113 °F (45 °C). Ne le faites pas fonctionner à des températures plus élevées.

Conformité FCC

Cet appareil est conforme à la partie 15, sous-partie B du règlement de la FCC. L'utilisation est soumise aux deux conditions suivantes :

1. Cet appareil ne doit pas causer d'interférences nuisibles, et
2. Cet appareil doit accepter toutes les interférences reçues, y compris celles pouvant entraîner un fonctionnement indésirable.

Tout changement ou modification non expressément approuvé par l'autorité responsable de la conformité pourrait annuler le droit de l'utilisateur à utiliser l'équipement.

Contact

En dehors des États-Unis, du Royaume-Uni, de l'Irlande, du Benelux, de la France, de l'Allemagne, ou du Mexique, contactez votre fournisseur si vous avez besoin d'assistance ou de retourner votre appareil. Consultez le site [Contact Us](#) pour trouver nos coordonnées.

Ce Qui est Inclus

- Ovation F-415FC
- Un cordon d'alimentation Seetronic powerkon IP65
- Cadre pour gélatine
- Un Manuel de Référence

Alimentation CA

Cet appareil est doté d'une alimentation universelle prenant en charge toute tension d'entrée comprise entre 100 et 240 VCA, 50/60 Hz.

Connexion Électrique

Vous pouvez connecter jusqu'à 8 Ovation F-415FC à 100 V, 10 unités à 120 V, 18 unités à 208 V, 20 unités à 230 V, ou 21 unités à 240 V. Ne dépassez jamais cette limite. Vous pouvez vous procurer séparément des cordons d'alimentation.

Prise CA

Connexion	Câble (États-Unis)	Câble (Europe)	Couleur de la vis
Conducteur CA	Noir	Marron	Jaune/Cuivré
Neutre CA	Blanc	Bleu	Argenté
Terre CA	Vert/Jaune	Vert/Jaune	Vert



Durant les périodes de non-utilisation, pour éviter toute usure inutile et pour prolonger la durée de vie, déconnectez-entièrement l'appareil en le débranchant de l'alimentation électrique ou en coupant le disjoncteur.

Remplacement du Fusible

1. Débranchez l'appareil de la prise.
2. À l'aide d'un tournevis à tête n°2, dévissez le couvercle du porte-fusible.
3. Remplacez le fusible obsolète par un fusible neuf équivalent.
4. Revissez le couvercle du porte-fusible et rebranchez l'unité.

Raccordement DMX

Le Ovation F-415FC fonctionnera avec un jeu d'orgues DMX au moyen de connexions série DMX à 3 et 5 broches. Une introduction au DMX est à votre disposition sur www.chauvetprofessional.com.

Connexion DMX

Le Ovation F-415FC utilise une connexion de données DMX à 3 et 5 broches pour ses personnalités DMX: **2Ch, 4Ch, 5Ch, 8Ch, 12Ch, 14Ch, 15Ch, 18Ch** et **HSV**. Consultez le Manuel d'Utilisation pour connecter et configurer le système DMX.

Connexion Maître/ Esclave

Le Ovation F-415FC utilise une connexion de données DMX pour son mode Maître/Esclave. Consultez le Manuel d'Utilisation pour connecter et configurer le mode de fonctionnement Maître/Esclave.

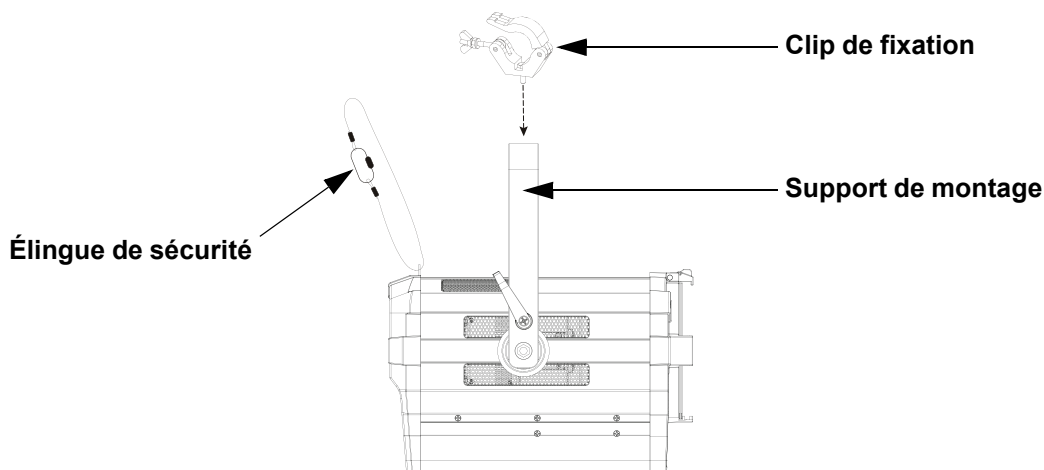
RDM (Gestion des périphériques à distance)

Le protocole RDM (gestion des périphériques à distance) est un standard pour la communication bidirectionnelle des appareils dotés de fonctions DMX dans un câblage DMX existant. Le Ovation F-415FC supporte le protocole RDM permettant un retour d'information pour la surveillance et des changements des options de menu. Veuillez télécharger le manuel de l'utilisateur à partir du site internet www.chauvetprofessional.com pour plus de détails.

Installation

Avant de monter cet appareil, lisez et assimilez les [Consignes de Sécurité](#). Veillez à ce que les fixations sont capables de supporter le poids de l'unité. Découvrez notre gamme de fixations Chauvet sur <http://trusst.com/productcategory/truss-clamps/>.

Schéma de Montage de l'Appareil



Roue de Couleurs Virtuelles (VCW)

Le Ovation F-415FC dispose d'une fonction appelée Roue de Couleur Virtuelle (VCW - Virtual Color Wheel). Cette fonction est disponible en mode de contrôle autonome pour une utilisation manuelle mais également en tant que canal de contrôle dans certaines personnalités DMX. Plus de 30 couleurs pré-mélangées, personnalisées par nos ingénieurs, sont disponibles pour faciliter la programmation. Les valeurs DMX utilisées pour mélanger ces couleurs sont indiquées ci-dessous. Vous pouvez ajuster l'intensité globale du Ovation afin de reproduire plus fidèlement les couleurs que vous avez l'habitude d'utiliser. Un graphique est disponible sur notre site Web à l'adresse www.chauvetprofessional.com pour comparer nos couleurs pré-mélangées avec des couleurs de gel populaires. Ce tableau est fourni uniquement à des fins de comparaison et ne certifie pas que nos couleurs pré-mélangées correspondent aux couleurs de gel énumérées.


Gamme de couleurs

Valeurs DMX	Affichage à l'Écran	Valeur Rouge	Vert	Bleu	Ambre	Lime
000 ⇔ 005	--	000	000	000	000	000
006 ⇔ 013	C3050 - Md Yellow	233	163	020	123	255
014 ⇔ 021	C3040 - Lt Yellow	224	158	047	255	231
022 ⇔ 028	C3240 - Amb Yellow	180	060	000	245	255
029 ⇔ 035	C2340 - VLt Amber	245	107	081	255	213
036 ⇔ 043	C2040 - Lt Amber	230	130	062	255	155
044 ⇔ 051	C2050 - Md Amber	255	000	025	255	194
052 ⇔ 059	C2060 - Dk Amber	255	000	024	255	150
060 ⇔ 067	C1050 - Lt Red	255	037	027	030	038
068 ⇔ 075	C1080 - Md Red	255	004	017	000	000
076 ⇔ 083	C1020 - NC Pink	238	135	129	255	255
084 ⇔ 091	C1030 - Md Pink	255	131	120	255	195
092 ⇔ 099	C1630 - Dk Pink	255	165	123	255	210
100 ⇔ 107	C1250 - Md Red Amber	255	000	041	195	055
108 ⇔ 115	C1060 - Dk Red Amber	255	000	045	120	030
116 ⇔ 121	C1650 - Magenta	255	050	115	255	115
122 ⇔ 130	C6170 - Dk Magenta	255	035	117	000	000
131 ⇔ 138	C6020 - Lt Lavender	127	122	142	251	255
139 ⇔ 146	C5030 - Lt Blue	000	255	197	100	255
147 ⇔ 154	C5020 - VLt Blue	158	255	189	000	255
155 ⇔ 162	C5430 - Lt Blue 2	000	255	180	000	243
163 ⇔ 170	C5070 - Blue	043	255	210	043	036
171 ⇔ 178	C5050 - Md Blue	000	255	218	000	181
179 ⇔ 186	C5060 - Dk Blue	000	210	206	000	118
187 ⇔ 194	C5690 - Indigo	065	000	210	040	055
195 ⇔ 202	C5080 - VDk Blue	000	203	230	000	040
203 ⇔ 210	C5081 - VDk Blue2	040	199	240	000	045
211 ⇔ 218	C4370 - Yel Green	027	255	028	016	104
219 ⇔ 226	C4070 - Green	049	255	055	120	090
227 ⇔ 234	C4550 - Turquoise	060	230	109	000	245
235 ⇔ 242	C4560 - Aqua	020	240	126	036	255
243 ⇔ 250	C4570 - Blue Green	000	255	079	030	053
251 ⇔ 255	--	000	000	000	000	000

 Les couleurs ci-dessus sont des rendus simulés de couleurs produits sur base des couleurs émises par les appareils à incandescence. Chauvet ne peut garantir l'exactitude du rendu d'une couleur.

Gamme des températures de couleur

Valeurs DMX	Affichage à l'Écran	Valeur Rouge	Vert	Bleu	Ambre	Lime
000 ⇔ 005	--	000	000	000	000	000
006 ⇔ 025	2800K	198	065	056	220	230
026 ⇔ 050	3000K	181	078	074	220	230
051 ⇔ 075	3200K	165	092	093	220	230
076 ⇔ 100	3500K	153	128	111	220	230
101 ⇔ 125	4000K	127	128	163	220	230
126 ⇔ 150	4500K	106	128	200	220	230
151 ⇔ 175	5000K	092	128	230	220	230
176 ⇔ 200	5600K	073	128	255	220	230
201 ⇔ 225	6000K	048	128	255	220	230
226 ⇔ 250	6500K	019	128	255	220	230
251 ⇔ 255	--	000	000	000	000	000

 Les températures de couleur ci-dessus sont des rendus simulés de la sortie de couleur effectivement générée par comparaison avec une lampe tungstène à la température de couleur spécifiée. Chauvet ne donne aucune garantie sur la précision de la sortie de couleur.

Description du Tableau de Commandes

Bouton	Fonction
<MENU>	Permet la sortie du menu ou de la fonction en cours
<ENTER>	Permet l'affichage du menu en cours ou permet de configurer la valeur en cours dans la fonction sélectionnée
<UP>	Permet de parcourir les listes ou les menus vers le haut, dans une fonction permet d'augmenter les valeurs numériques
<DOWN>	Permet de parcourir les listes ou les menus vers le bas, dans une fonction permet de diminuer les valeurs numériques
<Color Temperature>	Appuyez puis tournez pour sélectionner la température de couleur
<Dimmer>	Appuyez puis tournez pour augmenter ou diminuer le gradateur
<Zoom>	Appuyez puis tournez pour augmenter ou diminuer le zoom

Tableau de Menu

Reportez-vous à la page du produit Ovation F-415FC sur www.chauvetprofessional.com pour la dernière carte des menu.

Niveau Principal	Niveaux de Programmation		Description	
DMX Address	001–512*		Permet de sélectionner l'adresse de démarrage (*le canal le plus élevé est restreint à la personnalité choisie)	
DMX Channel	1Ch		1 canal: gradateur	
	3Ch		3 canaux: gradateur, VCW, température de la couleur	
	5Ch		5 canaux: RVBAL contrôle	
	7Ch		7 canaux: RVBAL, gradateur, stroboscope,	
	11Ch		11 canaux: gradateur 16-bit, RVBAL, stroboscope, VCW, température de la couleur, zoom,	
	13Ch		13 canaux: gradateur 16-bit, RVBAL 16-bit, stroboscope	
	14Ch		14 canaux: gradateur, RVBAL, stroboscope, VCW, température de couleur, programmes automatique, vitesse automatique, contrôle, zoom, réinitialisation du moteur	
	18Ch		18 canaux: gradateur 16-bit, RVBAL 16-bit, stroboscope, VCW, température de la couleur, zoom, réinitialisation du moteur, contrôle	
Virtual Color Wheel	Virtual Color Wheel	HSV	3 canaux: hue, saturation, valeur	
		C3050 - Md Yellow	Dimmer 0–255	Roue de Couleurs Virtuelles (VCW) simule le rendu des gélamines de couleur. Consultez la section Gamme de couleurs pour en connaître les valeurs spécifiques.
		C3040 - Lt Yellow		
		C3240 - Amb Yellow		
		C2340 - V Lt Amber		
		C2040 - Lt Amber		
		C2050 - Md Amber		
		C2060 - Dk Amber		
		C1050 - Lt Red		
		C1080 - Md Red		
		C1020 - NC Pink		
		C1030 - Md Pink		
		C1630 - Dk Pink		
		C1250 - Md Red Amber		
		C1060 - Dk Red Amber		
		C1650 - Magenta		
		C6170 - Dk Magenta		
		C6020 - Lt Lavender		
C5030 - Lt Blue				

Niveau Principal	Niveaux de Programmation		Description	
Virtual Color Wheel (suite)	Virtual Color Wheel (suite)	C5020 - VLt Blue	Dimmer 0–255	Roue de Couleurs Virtuelles (VCW) simule le rendu des gélamines de couleur. Consultez la section Gamme de couleurs pour en connaître les valeurs spécifiques.
		C5430 - Lt Blue 2		
		C5070 - Blue		
		C5050 - Md Blue		
		C5060 - Dk Blue		
		C5690 - Indigo		
		C5080 - VDk Blue		
		C5081 - VDk Blue 2		
		C4370 - Yel Green		
		C4070 - Green		
		C4550 - Turquoise		
		C4560 - Aqua		
		C4570 - Blue Green		
Virtual Color Wheel (suite)	Color Temperature	2800K	Dimmer 0–255	Températures de couleur de blanc prédéfinies. Simule une lampe tungstène à la température de couleur spécifiée. Référez vous à la section Gamme des températures de couleur pour les valeurs spécifiques
		3000K		
		3200K		
		3500K		
		4000K		
		4500K		
		5000K		
		5600K		
		6000K		
6500K				
Manual Color Mixer	Manual Color Mixer	Red	0–255	Combine les couleurs rouge, vert, bleu, ambre et lime pour un résultat personnalisé (0–100%)
		Green		
		Blue		
		Amber		
		Lime		
Color X-Fade Speed	Color X-Fade Speed	Off		Désactive la transition en fondu entre les couleurs
		X-Fade Speed 1		Crée une transition en fondu entre les couleurs lors de l'utilisation de couleurs dans le Virtual Color Wheel ou le tableau de température de couleur, de rapide (X-Fade Speed 1) à lent (X-Fade Speed 4)
		X-Fade Speed 2		
		X-Fade Speed 3		
		X-Fade Speed 4		
Auto Show	Auto 1–5	1–100	Sélectionne les programmes automatiques et vitesse auto	
Zoom	0–255		Commande du zoom	
Red Shift	On		Imite la gradation des lampes halogènes	
	Off			
Master/Slave	Master		Recevez le signal DMX du contrôleur DMX (maître)	
	Slave		Recevoir le signal de l'unité maître (esclave)	
Dimmer Curve	S-Curve		Définir la courbe de gradation	
	Linear			
	Square			
	Inverse Square			
Dimmer Mode	Off		Gradateur linéaire	
	Dimmer 1–3		Courbes de gradation rapide (Dimmer 1) à lent (Dimmer 3)	

Niveau Principal	Niveaux de Programmation		Description
White Balance	Manual	Off	Utilise le paramétrage de blanc défini en usine
		Red	Définit la valeur maximale de LED rouge
		Green	Définit la valeur maximale de LED vert
		Blue	Définit la valeur maximale de LED bleu
		Amber	Définit la valeur maximale de LED ambre
		Lime	Définit la valeur maximale de LED lime
LED Frequency	600Hz		Permet de sélectionner la fréquence de sortie MLI
	1200Hz		
	2000Hz		
	4000Hz		
	6000Hz		
	25KHz		
Fan Mode	Auto		Réglez le ventilateur en mode automatique
	On		Réglez le mode de ventilateur toujours
	Off		Règle le ventilateur sur toujours
	Silent		Règle le ventilateur sur silencieux
Back Light	10S		Désactive l'affichage rétro-éclairage après 10 secondes d'inactivité
	30S		Désactive l'affichage rétro-éclairage après 30 secondes d'inactivité
	2Min		Désactive l'affichage rétro-éclairage après 2 minutes d'inactivité
	Always On		Affichage rétro-éclairage toujours active
Information	Fixture Hours	____H	Affiche le nombre total des heures du produit
	LED Hours	<____H>	Affiche le nombre total d'heures de LED
	Version	V_._	Affiche la version du logiciel installée
	UID	_____	Affiche UID actuel
Reset Zoom w/ Power	No		Conserve la dernière position de zoom à la mise sous tension
	Yes		Réinitialise le zoom en position d'origine à la mise sous tension
Factory Reset	No		Permet de réinitialiser aux valeurs par défaut
	Yes		d'usine



ATTENTION: Lors du fonctionnement en mode ventilateur: Lorsque le ventilateur est à l'arrêt, l'appareil devient plus chaud au toucher que lors de l'utilisation des autres modes de ventilateur. Utilisez un équipement de protection approprié pour prévenir des brûlures. Tenir à l'écart de tout objet inflammable.



REMARQUE: Lors du fonctionnement en mode ventilateur: Lorsque le ventilateur est à l'arrêt, le rendement de l'appareil est réduit et ne peut pas atteindre les mêmes niveaux que lors de l'utilisation des autres modes de ventilateur.

Valeurs DMX

18Ch / 14Ch / 13Ch / 11Ch / 7Ch / 5Ch / 3Ch

3Ch	5Ch	7Ch	11Ch	13Ch	14Ch	18Ch	Fonction	Valeur	Pourcentage/Configuration
1	-	1	1	1	1	1	Gradateur	000 ⇔ 255	0-100%
-	-	-	2	2	-	2	Gradateur fin	000 ⇔ 255	0-100%
-	1	2	3	3	2	3	Rouge	000 ⇔ 255	0-100%
-	-	-	-	4	-	4	Rouge fin	000 ⇔ 255	0-100%
-	2	3	4	5	3	5	Vert	000 ⇔ 255	0-100%
-	-	-	-	6	-	6	Vert fin	000 ⇔ 255	0-100%
-	3	4	5	7	4	7	Bleu	000 ⇔ 255	0-100%
-	-	-	-	8	-	8	Bleu fin	000 ⇔ 255	0-100%
-	4	5	6	9	5	9	Ambre	000 ⇔ 255	0-100%
-	-	-	-	10	-	10	Ambre fin	000 ⇔ 255	0-100%
-	5	6	7	11	6	11	Lime	000 ⇔ 255	0-100%
-	-	-	-	12	-	12	Lime fin	000 ⇔ 255	0-100%
-	-	7	8	13	7	13	Stroboscope	000 ⇔ 010 011 ⇔ 255	Pas de fonction Stroboscope, lent à rapide
2	-	-	9	-	8	14	Roue de couleurs virtuelle	000 ⇔ 255	Voir la Gamme de couleurs
3	-	-	10	-	9	15	Température de couleur	000 ⇔ 255	Voir la Gamme des températures de couleur
-	-	-	-	-	10	-	Auto programmes	000 ⇔ 010 011 ⇔ 060 061 ⇔ 110 111 ⇔ 160 161 ⇔ 210 211 ⇔ 255	Pas de fonction Auto programmes 1 Auto programmes 2 Auto programmes 3 Auto programmes 4 Auto programmes 5
-	-	-	-	-	11	-	Vitesse auto	000 ⇔ 255	0-100%
-	-	-	11	-	-	16	Zoom	000 ⇔ 255	Étroit à large
-	-	-	-	-	-	17	Réinitialisation du moteur	000 ⇔ 200 201 ⇔ 220 221 ⇔ 255	Pas de fonction Réinitialisation du moteur Pas de fonction

3Ch	5Ch	7Ch	11Ch	13Ch	14Ch	18Ch	Fonction	Valeur	Pourcentage/Configuration
-	-	-	-	-	12	18	Contrôle (maintenez pendant 3 secondes, puis relâchez)	000 ⇔ 007	Pas de fonction
								008 ⇔ 015	Réinitialiser du gradateur
								016 ⇔ 023	Décalage rouge activé
								024 ⇔ 031	Décalage rouge désactivé
								032 ⇔ 039	Courbe de gradateur S-Curve
								040 ⇔ 047	Courbe de gradateur linéaire
								048 ⇔ 055	Courbe de gradateur carrée
								056 ⇔ 063	Courbe de gradateur carrée inverse
								064 ⇔ 071	Mode vitesse du gradateur désactivé
								072 ⇔ 079	Mode vitesse du gradateur 1
								080 ⇔ 087	Mode vitesse du gradateur 2
								088 ⇔ 095	Mode vitesse du gradateur 3
								096 ⇔ 103	Mode ventilateur automatique
								104 ⇔ 111	Mode ventilateur activé
								112 ⇔ 119	Mode ventilateur désactivé
								120 ⇔ 127	Mode ventilateur silencieux
								128 ⇔ 135	Vitesse du fondu en X désactive
							136 ⇔ 143	Vitesse du fondu en X 1 (le plus rapide)	
							144 ⇔ 151	Vitesse du fondu en X 2	
							152 ⇔ 159	Vitesse du fondu en X 3	
							160 ⇔ 167	Vitesse du fondu en X 4 (le plus lent)	
							168 ⇔ 225	Réservé pour une utilisation future	
-	-	-	-	-	13	-	Zoom	000 ⇔ 255	Étroit à large
-	-	-	-	-	14	-	Réinitialisation du moteur	000 ⇔ 200	Pas de fonction
								201 ⇔ 220	Réinitialisation du moteur
								221 ⇔ 255	Pas de fonction

1Ch

Canal	Fonction	Valeur	Pourcentage/Configuration
1	Gradateur	000 ⇔ 255	0–100% (couleur définie par le menu)

HSV

Canal	Fonction	Valeur	Pourcentage/Configuration
1	Teint	000 ⇔ 255	0–100%
2	Saturation	000 ⇔ 255	0–100%
3	Valeur	000 ⇔ 255	0–100%

Über diese Kurzanleitung

In der Kurzanleitung des Ovation F-415FC finden Sie die wesentlichen Produktinformationen, wie etwa über den Anschluss, die Montage, Menüoptionen und DMX-Werte des Geräts. Laden Sie für weiterführende Informationen unter www.chauvetprofessional.com das Benutzerhandbuch herunter.

Haftungsausschluss

Die in dieser Anleitung aufgeführten Informationen und Spezifikationen können ohne vorherige Ankündigung geändert werden.

EINGESCHRÄNKTE GARANTIE

ZUR REGISTRIERUNG FÜR GARANTIEANSPRÜCHE UND ZUR EINSICHT IN DIE VOLLSTÄNDIGEN GESCHÄFTSBEDINGUNGEN BESUCHEN SIE BITTE UNSERE WEBSITE.

Für Kunden in den USA und in Mexiko: www.chauvetlighting.com/warranty-registration.

Für Kunden im Vereinigten Königreich, in Irland, Belgien, den Niederlanden, Luxemburg, Frankreich und Deutschland: www.chauvetlighting.eu/warranty-registration/.

Chauvet garantiert für die in der auf unserer Website veröffentlichten vollständigen eingeschränkten Garantie genannten Dauer und unter Vorbehalt der darin genannten Haftungsausschlüsse und -beschränkungen, dass dieses Produkt bei normalen Gebrauch frei von Material- und Verarbeitungsfehlern ist. Diese Garantie erstreckt sich nur auf den Erstkäufer des Produkts und ist nicht übertragbar. Zur Ausübung der unter dieser Garantie gewährten Rechte ist der Kaufbeleg in Form der Originalrechnung von einem autorisierten Händler vorzulegen, in der die Produktbezeichnung und das Kaufdatum vermerkt sein müssen. ES BESTEHEN KEINE WEITEREN AUSDRÜCKLICHEN ODER STILLSCHWEIGENDEN GARANTIEN. Diese Garantie gibt Ihnen besondere gesetzliche Rechte. Und Sie haben möglicherweise weitere Rechte, die von Land zu Land unterschiedlich sein können. Diese Garantie ist nur in den USA, im Vereinigten Königreich, in Irland, Belgien, den Niederlanden, Luxemburg, Frankreich, Deutschland und Mexiko gültig. Bezüglich der Garantiebestimmungen in anderen Ländern wenden Sie sich bitte an Ihren lokalen Händler.

Sicherheitshinweise

- Dieses Gerät NICHT öffnen. Die eingebauten Komponenten sind für den Kunden wartungsfrei.
- NIEMALS in die Lichtquelle schauen, während das Gerät eingeschaltet ist.
- Dieses Gerät darf NICHT in Wasser eingetaucht werden (IP20). Eine regelmäßige Verwendung dieses Geräts im Freien ist möglich.
- Belassen Sie KEINE entflammaren Materialien in einem Umkreis von 50 cm dieses Geräts, während es in Betrieb oder an der Stromversorgung angeschlossen ist.
- NIEMALS das Gerät in Betrieb nehmen, wenn Ihnen das Gehäuse, die Linsen oder das Kabel beschädigt erscheinen.
- Schließen Sie dieses Gerät NICHT an einen Dimmer oder Regelwiderstand an.
- VORSICHT: Das Gehäuse dieses Produkts kann während des Betriebs heiß werden.
- VORSICHT: Beim Transport des Geräts von einer Umgebung mit außergewöhnlichen Temperaturen in eine andere solche Umgebung (z. B. aus einem kalten Transporter in einen warm-feuchten Ballsaal) kann an der im Gerät enthaltenen Elektronik Wasser kondensieren. Um einen Defekt zu vermeiden, muss sich das Gerät erst in der neuen Umgebung akklimatisiert haben, bevor es an die Stromversorgung angeschlossen werden kann.
- VERWENDEN Sie bei Montage über Kopf immer ein Sicherungsseil.
- Schließen Sie dieses Produkt NUR an einen mit der Erde verbundenen und geschützten Stromkreis an.
- Das Gerät NUR an den Hänge-/Befestigungsbügeln oder Griffen tragen.
- Installieren Sie das Gerät an einem Ort mit ausreichender Belüftung und mit einem Abstand von mindestens 50 cm zu den angrenzenden Flächen.
- Um unnötigen Verschleiß zu vermeiden und die Lebensdauer des Geräts zu verlängern, trennen Sie während längerer Perioden des Nichtgebrauchs das Gerät vom Stromnetz – entweder per Trennschalter oder durch Herausziehen des Steckers aus der Steckdose.
- Bei ernsthaften Betriebsproblemen stoppen Sie umgehend die Verwendung des Geräts.
- Die maximal zulässige Umgebungstemperatur beträgt 45 °C. Nehmen Sie das Gerät nicht bei höheren Temperaturen in Betrieb.

FCC-Konformität

Dieses Gerät erfüllt Teil 15, Teil B, der FCC-Bestimmungen. Der Betrieb ist an folgende zwei Bedingungen geknüpft:

1. Dieses Gerät darf keine schädlichen Interferenzen verursachen, und
2. Dieses Gerät muss empfangende Interferenzen aufnehmen können, auch Interferenzen, die eventuell einen unerwünschten Betrieb verursachen.

Jegliche Änderungen oder Modifikationen, die nicht ausdrücklich von der Partei genehmigt wurden, die für die Compliance zuständig ist, könnten die Berechtigung des Benutzers zum Betrieb dieses Geräts aufheben.

Kontakt

Kunden außerhalb der USA, GB, Irland, Mexiko, Frankreichs, Deutschlands oder der Benelux-Staaten wenden sich an ihren Lieferanten, um den Kundensupport in Anspruch zu nehmen oder ein Produkt zurückzuschicken.

Kontaktinformationen finden Sie unter [Contact Us](#) am Ende dieser Kurzanleitung.

Packungsinhalt

- Ovation F-415FC
- Netzkabel Seetronic powerkon IP65
- Gel-Rahmen
- Kurzanleitung

Wechselstrom

Dieses Gerät verfügt über ein Vorschaltgerät, das automatisch die anliegende Spannung erkennt, sobald der Netzstecker in die Schukosteckdose gesteckt wird, und kann mit einer Eingangsspannung von 100~240 V AC, 50/60 Hz arbeiten.

Serienschaltung der Geräte

Sie können bis zu 8 Ovation F-415FC Geräte bei 100 V AC, 10 Geräte bei 120V, 18 Geräte bei 208V, 20 Geräte bei 230V, und 21 Geräte bei 240 V AC in Serie schalten. Diese Anzahl niemals überschreiten! Stromkabel für die Serienschaltung können separat erworben werden.

Wechselstromstecker

Anschluss	Draht (USA)	Draht (Europa)	Schraubenfarbe
Stromführender AC-Leiter	Schwarz	Braun	Gelb/Messingfarben
AC-Neutralleiter	Weiß	Blau	Silber
AC-Erdungsleiter	Grün/Gelb	Grün/Gelb	Grün



Um Verschleiß zu vermeiden und die Lebensdauer des Geräts zu verlängern, trennen Sie während längerer Perioden des Nichtgebrauchs das Gerät vom Stromnetz – entweder per Trennschalter oder durch Herausziehen des Steckers aus der Steckdose.

Auswechseln der Sicherung

1. Trennen Sie das Gerät vom Stromnetz.
2. Mit einem Flachkopfschraubendreher lösen Sie die Abdeckung des Sicherungshalters vom Gehäuse.
3. Entfernen Sie die durchgebrannte Sicherung, und ersetzen Sie diese durch eine Sicherung des gleichen Typs und mit den gleichen Werten.
4. Schrauben Sie die Abdeckung der Sicherung wieder ein, und schließen Sie das Gerät wieder an das Stromnetz an.

DMX-Verbindung

De Ovation F-415FC kann mit einem DMX-Controller betrieben werden, wenn eine 3- und 5-polige DMX-Datenverbindung zum Einsatz kommt. Sie können sich eine Einführung in DMX unter www.chauvetprofessional.com herunterladen.

DMX-Anschluss

Der Ovation F-415FC nutzt zur Steuerung seiner DMX-Eigenschaften eine eine 3- und 5-polige DMX-Datenverbindung: **1Ch, 3Ch, 5Ch, 7Ch, 11Ch, 13Ch, 14Ch, 18Ch** und **HSV**. Informationen zum Anschließen und Konfigurieren des Geräts für einen DMX-Betrieb finden Sie in der Bedienungsanleitung.

Master/Slave-Schaltung

Der Ovation F-415FC verwendet für seinen Master/Slave-Modus eine DMX-Datenverbindung. Informationen zum Anschließen und Konfigurieren des Geräts für einen Master/Slave-Betrieb finden Sie in der Bedienungsanleitung.

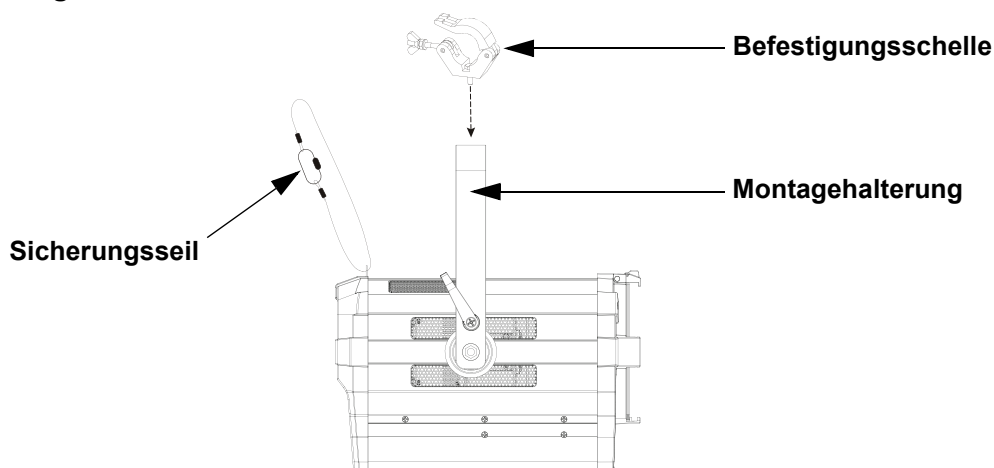
RDM (Remote Device Management)

Remote Device Management bzw. RDM ist ein Standard, mit dem DMX-aktivierte Geräte bidirektional entlang bestehender DMX-Kabel kommunizieren können. Der Ovation F-415FC unterstützt das RDM-Protokoll, über das Feedback zur Überwachung der Änderungen der Menüoptionen gegeben wird. Laden Sie für weiterführende Informationen unter www.chauvetprofessional.com das Benutzerhandbuch herunter.

Montage

Lesen Sie vor der Montage dieses Geräts die [Sicherheitshinweise](#). Mindestens einen Befestigungspunkt pro Gerät verwenden. Stellen Sie sicher, dass die Befestigungsklemmen dafür ausgelegt sind, das Produktgewicht tragen zu können. Informationen zu unserer CHAUVET-Produktlinie für Befestigungsklemmen finden Sie unter <http://trusst.com/productcategory/truss-clamps/>.

Ansicht Gerätemontage



Virtuelles Farbrad (VCW)

Der Ovation F-415FC verfügt über eine Funktion mit der Bezeichnung Virtuelles Farbrad (Virtual Color Wheel, VCW). Diese Funktion steht als Stand-alone-Steuerungsmodus für die manuelle Bedienung sowie als Steuerungskanal bei ausgewählten DMX-Eigenschaften zur Verfügung. Es sind mehr als 30 von unseren Technikern vorgemischte Farben verfügbar, um die Programmierung einfacher zu gestalten. Die zum Mischen dieser Farben verwendeten DMX-Werte sind nachstehend angegeben. Sie können die Gesamtintensität des Ovation anpassen, um die Farben, mit denen Sie vertraut sind, besser nachzubilden. Auf unserer Website www.chauvetprofessional.com finden Sie eine Tabelle, mit deren Hilfe Sie unsere vorgemischten Farben mit beliebigen Gel-Farben vergleichen können. Diese Tabelle dient einzig Vergleichszwecken und ist keine Gewähr dafür, dass unsere vorgemischten Farben mit einer der aufgeführten Gel-Farben übereinstimmen.

Tabelle: Virtuelles Farbrad

DMX-Wert	Anzeige auf Display	Roter Wert	Grün	Blau	Bernsteinfarben	Neongrün
000 ⇄ 005	--	000	000	000	000	000
006 ⇄ 013	C3050 - Md Yellow	233	163	020	123	255
014 ⇄ 021	C3040 - Lt Yellow	224	158	047	255	231
022 ⇄ 028	C3240 - Amb Yellow	180	060	000	245	255
029 ⇄ 035	C2340 - VLt Amber	245	107	081	255	213
036 ⇄ 043	C2040 - Lt Amber	230	130	062	255	155
044 ⇄ 051	C2050 - Md Amber	255	000	025	255	194
052 ⇄ 059	C2060 - Dk Amber	255	000	024	255	150
060 ⇄ 067	C1050 - Lt Red	255	037	027	030	038
068 ⇄ 075	C1080 - Md Red	255	004	017	000	000
076 ⇄ 083	C1020 - NC Pink	238	135	129	255	255
084 ⇄ 091	C1030 - Md Pink	255	131	120	255	195
092 ⇄ 099	C1630 - Dk Pink	255	165	123	255	210
100 ⇄ 107	C1250 - Md Red Amber	255	000	041	195	055
108 ⇄ 115	C1060 - Dk Red Amber	255	000	045	120	030
116 ⇄ 121	C1650 - Magenta	255	050	115	255	115
122 ⇄ 130	C6170 - Dk Magenta	255	035	117	000	000
131 ⇄ 138	C6020 - Lt Lavender	127	122	142	251	255
139 ⇄ 146	C5030 - Lt Blue	000	255	197	100	255
147 ⇄ 154	C5020 - VLt Blue	158	255	189	000	255
155 ⇄ 162	C5430 - Lt Blue 2	000	255	180	000	243
163 ⇄ 170	C5070 - Blue	043	255	210	043	036
171 ⇄ 178	C5050 - Md Blue	000	255	218	000	181
179 ⇄ 186	C5060 - Dk Blue	000	210	206	000	118
187 ⇄ 194	C5690 - Indigo	065	000	210	040	055
195 ⇄ 202	C5080 - VDK Blue	000	203	230	000	040
203 ⇄ 210	C5081 - VDK Blue2	040	199	240	000	045
211 ⇄ 218	C4370 - Yel Green	027	255	028	016	104
219 ⇄ 226	C4070 - Green	049	255	055	120	090
227 ⇄ 234	C4550 - Turquoise	060	230	109	000	245
235 ⇄ 242	C4560 - Aqua	020	240	126	036	255
243 ⇄ 250	C4570 - Blue Green	000	255	079	030	053
251 ⇄ 255	--	000	000	000	000	000

 Die oben genannten Farben sind simulierte Ähnlichkeiten der Farbausgabe im Vergleich zu anderen, ähnlich weiß glühenden Produkten. Chauvet gibt keine Gewährleistung bezüglich der Genauigkeit der Farbausgabe.

Farbtemperatur-Tabelle

DMX-Wert	Anzeige auf Display	Roter Wert	Grün	Blau	Bernsteinfarben	Neongrün
000 ⇄ 005	--	000	000	000	000	000
006 ⇄ 025	2800K	198	065	056	220	230
026 ⇄ 050	3000K	181	078	074	220	230
051 ⇄ 075	3200K	165	092	093	220	230
076 ⇄ 100	3500K	153	128	111	220	230
101 ⇄ 125	4000K	127	128	163	220	230
126 ⇄ 150	4500K	106	128	200	220	230
151 ⇄ 175	5000K	092	128	230	220	230
176 ⇄ 200	5600K	073	128	255	220	230
201 ⇄ 225	6000K	048	128	255	220	230
226 ⇄ 250	6500K	019	128	255	220	230
251 ⇄ 255	--	000	000	000	000	000



Die oben genannten Farbtemperaturen sind simulierte Ähnlichkeiten der Farbausgabe im Vergleich zu einer Wolframlampe mit spezifizierter Farbtemperatur. Chauvet gibt keine Gewährleistung bezüglich der Genauigkeit der Farbausgabe.

Beschreibung des Bedienfeldes

Taste	Funktion
<MENU>	Damit verlassen Sie das aktuelle Menü oder die Funktion.
<ENTER>	Damit wird das aktuell angezeigte Menü aktiviert oder der aktuell ausgewählte Wert einer Funktion eingestellt
<UP>	Damit navigieren Sie sich durch die Menüpunkte nach oben und erhöhen den numerischen Wert der entsprechenden Funktion.
<DOWN>	Damit navigieren Sie sich durch die Menüpunkte nach unten und verringern den numerischen Wert der entsprechenden Funktion.
<Color Temperature>	Drücken und drehen Sie dieses Bedienelement zur Auswahl der Farbtemperatur
<Dimmer>	Drücken und drehen Sie dieses Bedienelement zum Erhöhen oder Senken der Dimmung
<Zoom>	Drücken und drehen Sie dieses Bedienelement zum Vergrößern oder Verkleinern des Zoom

Menüstruktur

Die neueste Menükarte finden Sie auf der Ovation F-415FC-Produktseite unter www.chauvetprofessional.com.

Hauptebene	Programmirebenen	Beschreibung
DMX Address	001–512*	Wählt die DMX-Adresse aus (*der höchste Kanal ist auf die gewählte Eigenschaft beschränkt)
	1Ch	1 Kanal: Dimmer
	3Ch	3 Kanal: Dimmer, Virtuelles Farbrad, Farbtemperatur
	5Ch	5 Kanal: RGBAL
	7Ch	7 Kanal: Dimmer, RGBAL, Stroboskopeffekt
	11Ch	11 Kanal: 16-Bit-Dimmer, RGBAL, Stroboskopeffekt, Virtuelles Farbrad, Farbtemperatur, Zoom
	13Ch	13 Kanal: 16-Bit-RGBAL und -Dimmer, Stroboskopeffekt
	14Ch	14 Kanal: Dimmer, RGBAL, Stroboskopeffekt, Virtuelles Farbrad, Farbtemperatur, Auto-Programm, Auto-Geschwindigkeit, Steuerung, Zoom, Motor zurücksetzen, Rotverschiebung
	18Ch	18 Kanal: 16-Bit-RGBAL und -Dimmer, Stroboskopeffekt, Virtuelles Farbrad, Farbtemperatur, Zoom, Motor zurücksetzen, Rotverschiebung, Steuerung
DMX Channel	HSV	3 Kanal: Farbton, Farbsättigung, Farbwert

Hauptebene	Programmirebenen		Beschreibung	
Virtual Color Wheel	Virtual Color Wheel	C3050 - Md Yellow	Dimmer 0–255	Das Virtuelle Farbrad simuliert die Ausgabe jeder Gel-Farbe. Für spezifische Werte, siehe den Abschnitt Tabelle: Virtuelles Farbrad .
		C3040 - Lt Yellow		
		C3240 - Amb Yellow		
		C2340 - VLt Amber		
		C2040 - Lt Amber		
		C2050 - Md Amber		
		C2060 - Dk Amber		
		C1050 - Lt Red		
		C1080 - Md Red		
		C1020 - NC Pink		
		C1030 - Md Pink		
		C1630 - Dk Pink		
		C1250 - Md Red Amber		
		C1060 - Dk Red Amber		
		C1650 - Magenta		
		C6170 - Dk Magenta		
		C6020 - Lt Lavender		
C5030 - Lt Blue				

Hauptebene	Programmirebenen		Beschreibung	
Virtual Color Wheel (Fortsetzung)	Virtual Color Wheel (Fortsetzung)	C5020 - VLt Blue	Dimmer 0–255	Das Virtuelle Farbrad simuliert die Ausgabe jeder Gelb-Farbe. Für spezifische Werte, siehe den Abschnitt Tabelle: Virtuelles Farbrad .
		C5430 - Lt Blue 2		
		C5070 - Blue		
		C5050 - Md Blue		
		C5060 - Dk Blue		
		C5690 - Indigo		
		C5080 - VDK Blue		
		C5081 - VDK Blue 2		
		C4370 - Yel Green		
		C4070 - Green		
		C4550 - Turquoise		
		C4560 - Aqua		
		C4570 - Blue Green		
Virtual Color Wheel (Fortsetzung)	Color Temperature	2800K	Dimmer 0–255	Voreinstellung der weißen Farbtemperaturen. Bildet eine Wolframlampe mit der spezifizierten Farbtemperatur ab. Für spezifische Werte, siehe den Abschnitt Farbtemperatur-Tabelle .
		3000K		
		3200K		
		3500K		
		4000K		
		4500K		
		5000K		
		5600K		
		6000K		
6500K				
Manual Color Mixer	Manual Color Mixer	Red	0–255	Kombiniert rote, grün, blaue, bernsteinfarbene und neongrüne Farben zu einer benutzerdefinierten Farbe (0–100%)
		Green		
		Blue		
		Amber		
		Lime		
Color X-Fade Speed	Color X-Fade Speed	Off	0–255	Schaltet die Überblendung zwischen Farben aus
		X-Fade Speed 1		Erzeugt Überblendungen zwischen Farben bei Verwendung von Farben im virtuellen Farbrad oder in der Farbtemperaturtabelle, von schnell (X-Fade Speed 1) bis langsam (X-Fade Speed 4)
		X-Fade Speed 2		
		X-Fade Speed 3		
		X-Fade Speed 4		
Auto Show	Auto 1–5	1–100		Wählt das Auto-Programm und die Programm-Geschwindigkeit aus
Zoom	0–255			Zur Steuerung des Zoom
Red Shift	On			Ahmt die Dimmung einer Halogenlampe nach
	Off			
Master/ Slave	Master			Empfängt DMX-Signal vom DMX-Controller (Master)
	Slave			Empfängt das DMX-Signal vom Master-Gerät
Dimmer Curve	S-Curve			Stellt die Dimmungskurve ein
	Linear			
	Square			
	Inverse Square			
Dimmer Mode	Off			Linearer Dimmer
	Dimmer 1–3			Dimmkurven von schnell (Dimmer 1) bis langsam (Dimmer 3)

Hauptebene	Programmirebenen		Beschreibung	
White Balance	Off		Verwendet die werksseitig voreingestellte Standardeinstellung „Weiß“	
	Manual	Red	125–255	Stellt den maximalen Wert der Roten LED ein
		Green		Stellt den maximalen Wert der Grün LED ein
		Blue		Stellt den maximalen Wert der Blau LED ein
		Amber		Stellt den maximalen Wert der Bernsteinfarbenen LED ein
	Lime		Stellt den maximalen Wert der Neongrün LED ein	
LED Frequency	600Hz		Stellt die PWM-Frequenz ein	
	1200Hz			
	2000Hz			
	4000Hz			
	6000Hz			
Fan Mode	25KHz		Stellt den Lüfter auf den Auto-Modus ein	
	Auto			
	On			Stellt den Lüfter auf den "immer eingeschaltet"-Modus ein
	Off			Setzt den Lüfter auf immer aus
Back Light	Silent		Stellt den Lüfter auf lautlos	
	10S		Damit wird die Hintergrundbeleuchtung der Anzeige nach 10 Sekunden Inaktivität ausgeschaltet	
	30S		Damit wird die Hintergrundbeleuchtung der Anzeige nach 30 Sekunden Inaktivität ausgeschaltet	
	2Min		Damit wird die Hintergrundbeleuchtung der Anzeige nach 2 Minuten Inaktivität ausgeschaltet	
Information	Always On		Hintergrundbeleuchtung immer an	
	Fixture Hours	----_H	Zeigt an, wie lange das Gerät eingeschaltet gewesen ist	
	LED Hours	<----_H>	Zeigt die gesamten LED-Stunden an	
	Version	V_._	Zeigt die aktuelle Firmware-Version an	
	UID	-----	Zeigt die Geräte-UID an	
Reset Zoom w/ Power	No		Hält den Zoom in der letzten Position, wenn das Gerät eingeschaltet wird	
	Yes		Setzt den Zoom auf die Startposition zurück, wenn das Gerät eingeschaltet wird	
Factory Reset	No		Damit stellen Sie das Gerät auf die	
	Yes		Werkseinstellungen zurück	



WARNUNG: Wenn Sie im Lüftermodus arbeiten: Aus, wird das Gerät bei Berührung heißer als bei Verwendung anderer Lüftermodi. Verwenden Sie geeignete Schutzausrüstung, um Verbrennungen zu vermeiden. Halten Sie einen Sicherheitsabstand zu brennbaren Gegenständen ein.



Im Lüftermodus: Aus wird der Ausgang des Geräts reduziert und erreicht nicht die gleichen Pegel wie bei Verwendung anderer Lüftermodi.

DMX-Werte

18Ch / 14Ch / 13Ch / 11Ch / 7Ch / 5Ch / 3Ch

3Ch	5Ch	7Ch	11Ch	13Ch	14Ch	18Ch	Funktion	Wert	Prozent/Einstellung
1	-	1	1	1	1	1	Dimmer	000 ⇔ 255	0-100%
-	-	-	2	2	-	2	Feine Dimmer	000 ⇔ 255	0-100%
-	1	2	3	3	2	3	Rot	000 ⇔ 255	0-100%
-	-	-	-	4	-	4	Feine rot	000 ⇔ 255	0-100%
-	2	3	4	5	3	5	Grün	000 ⇔ 255	0-100%
-	-	-	-	6	-	6	Feine grün	000 ⇔ 255	0-100%
-	3	4	5	7	4	7	Blau	000 ⇔ 255	0-100%
-	-	-	-	8	-	8	Fein blau	000 ⇔ 255	0-100%
-	4	5	6	9	5	9	Bernsteinfarben	000 ⇔ 255	0-100%
-	-	-	-	10	-	10	Feine bernsteinfarben	000 ⇔ 255	0-100%
-	5	6	7	11	6	11	Neongrün	000 ⇔ 255	0-100%
-	-	-	-	12	-	12	Feine neongrün	000 ⇔ 255	0-100%
-	-	7	8	13	7	13	Stroboskop	000 ⇔ 010 011 ⇔ 255	Keine Funktion Stroboskopeffekt, langsam bis schnell
2	-	-	9	-	8	14	Virtuelles Farbrad	000 ⇔ 255	Siehe Tabelle: Virtuelles Farbrad
3	-	-	10	-	9	15	Farbtemperatur	000 ⇔ 255	Siehe Farbtemperatur-Tabelle
-	-	-	-	-	10	-	Auto-Programme	000 ⇔ 010 011 ⇔ 060 061 ⇔ 110 111 ⇔ 160 161 ⇔ 210 211 ⇔ 255	Keine Funktion Autoprogramm 1 Autoprogramm 2 Autoprogramm 3 Autoprogramm 4 Autoprogramm 5
-	-	-	-	-	11	-	Auto-Geschwindigkeit	000 ⇔ 255	0-100%
-	-	-	11	-	-	16	Zoom	000 ⇔ 255	Eng bis weit
-	-	-	-	-	-	17	Motor zurücksetzen	000 ⇔ 200 201 ⇔ 220 221 ⇔ 255	Keine Funktion Motorzurücksetzung Keine Funktion

KURZANLEITUNG



DE

3Ch	5Ch	7Ch	11Ch	13Ch	14Ch	18Ch	Funktion	Wert	Prozent/Einstellung
								000 ⇔ 007	Keine Funktion
								008 ⇔ 015	Dimmer reset
								016 ⇔ 023	Rotverschiebung an
								024 ⇔ 031	Rotverschiebung aus
								032 ⇔ 039	S-Kurve Dimmerkurve
								040 ⇔ 047	Lineare Dimmerkurve
								048 ⇔ 055	Quadratische Dimmerkurve
								056 ⇔ 063	Inverse quadratische Dimmerkurve
								064 ⇔ 071	Dimmer-Geschwindigkeitsmodus aus
								072 ⇔ 079	Dimmer-Geschwindigkeitsmodus 1
-	-	-	-	-	12	18	Steuerung (3 Sekunden gedrückt halten)	080 ⇔ 087	Dimmer-Geschwindigkeitsmodus 2
								088 ⇔ 095	Dimmer-Geschwindigkeitsmodus 3
								096 ⇔ 103	Fan-Auto
								104 ⇔ 111	Lüfter an
								112 ⇔ 119	Lüfter aus
								120 ⇔ 127	Lüfter leise
								128 ⇔ 135	X-Fade-Geschwindigkeit: AUS
								136 ⇔ 143	X-Fade-Geschwindigkeit: 1 (schnellste)
								144 ⇔ 151	X-Fade-Geschwindigkeit: 2
								152 ⇔ 159	X-Fade-Geschwindigkeit: 3
								160 ⇔ 167	X-Fade Geschwindigkeit: 4 (langsamste)
								168 ⇔ 225	Keine Funktion (reserviert)
-	-	-	-	-	13	-	Zoom	000 ⇔ 255	Eng bis weit
								000 ⇔ 200	Keine Funktion
-	-	-	-	-	14	-	Motor zurücksetzen	201 ⇔ 220	Motorzurücksetzung
								221 ⇔ 255	Keine Funktion

1Ch

Kanal	Funktion	Wert	Prozent/Einstellung
1	Dimmer	000 ⇔ 255	0–100%

HSV

Kanal	Funktion	Wert	Prozent/Einstellung
1	Farbton	000 ⇔ 255	0–100%
2	Farbsättigung	000 ⇔ 255	0–100%
3	Farbwert	000 ⇔ 255	0–100%

Over deze handleiding

De Ovation F-415FC Beknopte Handleiding bevat basisinformatie over het product, zoals aansluiting, montage, menu-opties en DMX-waarden. Download de gebruikershandleiding op www.chauvetprofessional.com voor meer informatie.

Disclaimer

De informatie en specificaties in deze beknopte handleiding kunnen zonder voorafgaande kennisgeving worden gewijzigd.

BEPERKTE GARANTIE

GA NAAR ONZE WEBSITE VOOR REGISTRATIE VAN DE GARANTIE EN DE VOLLEDIGE ALGEMENE VOORWAARDEN.

Voor klanten in de Verenigde Staten en Mexico: www.chauvetlighting.com/warranty-registration.

Voor klanten in het Verenigd Koninkrijk, Ierland, België, Nederland, Luxemburg, Frankrijk en Duitsland: www.chauvetlighting.eu/warranty-registration/.

Chauvet garandeert dat dit product bij normaal gebruik vrij zal blijven van defecten in materiaal en vakmanschap, voor de opgegeven periode en onder voorbehoud van de uitzonderingen en beperkingen die zijn uiteengezet in de volledige beperkte garantie op onze website. Deze garantie geldt uitsluitend voor de oorspronkelijke koper van het product en is niet overdraagbaar. Om onder deze garantie rechten uit te oefenen, moet u een aankoopbewijs overleggen in de vorm van een origineel verkoopbewijs van een geautoriseerde dealer, waarop de naam van het product en de aankoopdatum zichtbaar zijn. ER ZIJN GEEN ANDERE EXPLICIETE OF IMPLICIETE GARANTIES. Deze garantie geeft u specifieke wettelijke rechten. Mogelijk heeft u ook andere rechten die van staat tot staat en van land tot land verschillen. Deze garantie is uitsluitend geldig in de Verenigde Staten, het Verenigd Koninkrijk, Ierland, België, Nederland, Luxemburg, Frankrijk, Duitsland en Mexico. Neem contact op met uw lokale verkoper voor garantievoorwaarden in andere landen.

Veiligheidsinstructies

- Open het product NIET. Het bevat geen te onderhouden onderdelen.
- KIJK NIET in de lichtbron wanneer het apparaat is ingeschakeld.
- Gebruik dit product NIET buitenshuis of op een locatie waar stof, grote warmte, water of vochtigheid het kunnen beïnvloeden (IP20).
- Plaats geen ontvlambaar materiaal binnen 50 cm van dit product als het in gebruik is of is aangesloten op het stopcontact.
- Gebruik dit product NIET als de behuizing, lenzen of kabels beschadigd lijken.
- Sluit dit product NIET aan op een dimmer of een regelweerstand.
- LET OP: De behuizing van dit product kan heet zijn wanneer het in bedrijf is.
- LET OP: Bij het verplaatsen van het product uit extreme omgevingen, (bijv. koude vrachtwagen naar warme, vochtige balzaal) kan er condensvorming optreden op de elektronica van het product. Om storingen te vermijden moet het product volledig kunnen acclimatiseren aan de omgeving voordat het op stroom wordt aangesloten.
- GEBRUIK een veiligheidskabel bij het boven het hoofd plaatsen van dit product.
- Sluit dit product UITSLUITEND op een geaard en beveiligd stroomcircuit.
- Gebruik UITSLUITEND de ophang-/montagebeugel om dit product te dragen.
- Monteer dit product op een plek met voldoende ventilatie, ten minste 50 cm van de aangrenzende oppervlakken.
- Om onnodige slijtage te elimineren en zijn levensduur te verlengen, gedurende perioden wanneer het product niet wordt gebruikt, moet u het product van de stroom afsluiten door een aardlekschakelaar om te zetten of door het te ontkoppelen.
- Stop in het geval van ernstige operationele problemen onmiddellijk met het gebruik.
- De maximale omgevingstemperatuur bedraagt 45 °C. Gebruik dit product niet bij hogere temperaturen.

FCC-naleving

Dit apparaat voldoet aan Part 15 Part B van de FCC-regels. Het gebruik is onderworpen aan de volgende twee voorwaarden:

1. Dit apparaat mag geen schadelijke interferentie veroorzaken, en
2. Dit apparaat moet enige ontvangen interferentie accepteren, inclusief interferentie die een ongewenste werking kan veroorzaken.

Eventuele wijzigingen of aanpassingen die niet uitdrukkelijk door de voor naleving verantwoordelijke partij zijn goedgekeurd, kan de bevoegdheid van de gebruiker om de apparatuur te bedienen ongeldig verklaren.

Contact

Van buiten de VS, Verenigd Koninkrijk, Ierland, Benelux, Frankrijk, Duitsland of Mexico kunt u contact opnemen met de distributeur of om ondersteuning vragen dan wel het product retourneren. Ga naar [Contact Us](#) voor contactinformatie.

Wat is inbegrepen

- Ovation F-415FC
- Seetronic powerkon IP65 stroomsnoer
- Gelframe
- Beknopte handleiding

AC-stroom

Dit product heeft een voeding met automatisch bereik die werkt met een ingangsspanning van 100–240 VAC, 50/60 Hz.

Power Linking

U kunt tot 8 Ovation F-415FC-producten koppelen bij 100 V, 10 producten bij 120V, 18 producten bij 208 V, 20 producten bij 230 V, 21 producten bij 240 V. Dit aantal niet overschrijden. Power Linking-snoeren kunnen apart aangeschaft worden.

AC-stekker

Aansluiting	Snoer (VS)	Snoer (Europa)	Schroefkleur
AC Live	Zwart	Bruin	Geel/messing
AC Neutraal	Wit	Blauw	Zilver
AC Aarde	Groen/geel	Groen/geel	Groen



Om onnodige slijtage te elimineren en zijn levensduur te verlengen, gedurende perioden wanneer het product niet wordt gebruikt, moet u het product van de stroom afsluiten door een aardlekschakelaar om te zetten of door het te ontkoppelen.

De zekering vervangen

1. Ontkoppel dit product van de stroom.
2. Gebruik een kruiskopschroevendraaier nr. 2 en schroef de kap van de zekeringhouder los van de behuizing.
3. Verwijder de doorgebrande zekering en vervang het met een werkende zekering van hetzelfde type en met dezelfde waarde.
4. Schroef de kap van de zekeringhouder terug en steek de stekker er weer in.

DMX-koppeling

De Ovation F-415FC kan met een DMX-controller werken met een 3- en 5-pin DMX seriële verbinding. Op www.chauvetprofessional.com is een DMX basishandleiding verkrijgbaar.

DMX-aansluiting

De Ovation F-415FC gebruikt een 3- en 5-pin DMX-gegevensverbinding voor zijn DMX-persoonlijkheden: **1Ch, 3Ch, 5Ch, 7Ch, 11Ch, 13Ch, 14Ch, 18Ch** en **HSV**. Zie de gebruikershandleiding om te verbinden en te configureren voor DMX-werking.

Master/slave-verbinding

De Ovation F-415FC maakt gebruik van de DMX-dataverbinding voor haar Master-/Slave-modus. Zie de gebruikershandleiding om te verbinden en te configureren voor Master/Slave-werking.

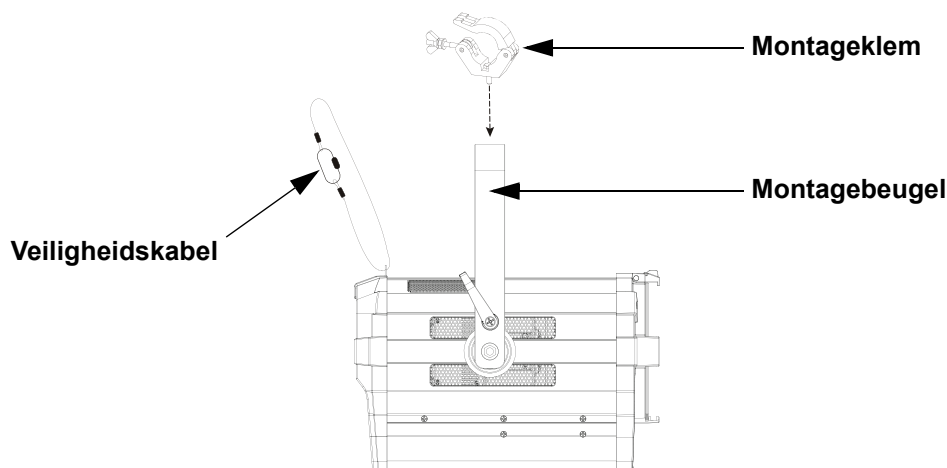
RDM (apparaatbeheer op afstand)

Remote Device Management of RDM (apparaatbeheer op afstand) is een standaard die het voor DMX-apparaten mogelijk maakt om in twee richtingen te communiceren over bestaande DMX-kabels. De Ovation F-415FC ondersteunt het RDM-protocol dat zorgt feedback toelaat bij de bewaking van wijzigingen aan de menu map-opties van. Download de gebruikershandleiding op www.chauvetprofessional.com voor meer informatie.

Montage

Lees alvorens dit product te monteren alle [Veiligheidsinstructies](#). Controleer of de montageklem het gewicht van het product kan dragen. Ga voor onze Chauvet-serie montageklemmen naar <http://trusst.com/productcategory/truss-clamps/>.

Montagediagram van het product



Virtueel kleurenwiel

De Ovation F-415FC bevat een functie, genaamd het virtuele kleurenwiel (Virtual Color Wheel, VCW). Deze functie is beschikbaar als een losstaande bedieningsmodus voor handmatig gebruik en ook als een bedieningskanaal in de geselecteerde DMX-persoonlijkheden van de producten. Voor eenvoudiger programmering zijn er meer dan 30 voorgemengde kleuren beschikbaar die speciaal door onze technici zijn samengesteld. De DMX-waarden die worden gebruikt voor het mengen van deze kleuren staan hieronder vermeld. U kunt de algehele intensiteit van het Ovation-armatuur aanpassen om de kleuren waarmee u bekend bent beter na te bootsen. Op onze website www.chauvetprofessional.com is een tabel beschikbaar om onze voorgemengde kleuren te vergelijken met populaire gelkleuren. Deze grafiek is uitsluitend bedoeld voor vergelijkingsdoeleinden en vormt geen garantie dat onze voorgemengde kleuren overeenkomen met de vermelde gelkleuren.

Kleurenkaart

DMX-waarde	Weergave op het display	Rode waarde	Groene	Blauwe	Amber	Lime
000 ⇔ 005	--	000	000	000	000	000
006 ⇔ 013	C3050 - Md Yellow	233	163	020	123	255
014 ⇔ 021	C3040 - Lt Yellow	224	158	047	255	231
022 ⇔ 028	C3240 - Amb Yellow	180	060	000	245	255
029 ⇔ 035	C2340 - VLt Amber	245	107	081	255	213
036 ⇔ 043	C2040 - Lt Amber	230	130	062	255	155
044 ⇔ 051	C2050 - Md Amber	255	000	025	255	194
052 ⇔ 059	C2060 - Dk Amber	255	000	024	255	150
060 ⇔ 067	C1050 - Lt Red	255	037	027	030	038
068 ⇔ 075	C1080 - Md Red	255	004	017	000	000
076 ⇔ 083	C1020 - NC Pink	238	135	129	255	255
084 ⇔ 091	C1030 - Md Pink	255	131	120	255	195
092 ⇔ 099	C1630 - Dk Pink	255	165	123	255	210
100 ⇔ 107	C1250 - Md Red Amber	255	000	041	195	055
108 ⇔ 115	C1060 - Dk Red Amber	255	000	045	120	030
116 ⇔ 121	C1650 - Magenta	255	050	115	255	115
122 ⇔ 130	C6170 - Dk Magenta	255	035	117	000	000
131 ⇔ 138	C6020 - Lt Lavender	127	122	142	251	255
139 ⇔ 146	C5030 - Lt Blue	000	255	197	100	255
147 ⇔ 154	C5020 - VLt Blue	158	255	189	000	255
155 ⇔ 162	C5430 - Lt Blue 2	000	255	180	000	243
163 ⇔ 170	C5070 - Blue	043	255	210	043	036
171 ⇔ 178	C5050 - Md Blue	000	255	218	000	181
179 ⇔ 186	C5060 - Dk Blue	000	210	206	000	118
187 ⇔ 194	C5690 - Indigo	065	000	210	040	055
195 ⇔ 202	C5080 - Vdk Blue	000	203	230	000	040
203 ⇔ 210	C5081 - Vdk Blue2	040	199	240	000	045
211 ⇔ 218	C4370 - Yel Green	027	255	028	016	104
219 ⇔ 226	C4070 - Green	049	255	055	120	090
227 ⇔ 234	C4550 - Turquoise	060	230	109	000	245
235 ⇔ 242	C4560 - Aqua	020	240	126	036	255
243 ⇔ 250	C4570 - Blue Green	000	255	079	030	053
251 ⇔ 255	--	000	000	000	000	000



De kleuren hierboven zijn gesimuleerde waargaven van de kleurenitvoer die zijn geproduceerd, in vergelijking met de andere gelijksoortige lichtproducten. Chauvet geeft geen garantie over de nauwkeurigheid van de kleuropbrengst.

Kleurtemperatuur-kaart

DMX-waarde	Weergave op het display	Rode waarde	Groene	Blauwe	Amber	Lime
000 ⇔ 005	--	000	000	000	000	000
006 ⇔ 025	2800K	198	065	056	220	230
026 ⇔ 050	3000K	181	078	074	220	230
051 ⇔ 075	3200K	165	092	093	220	230
076 ⇔ 100	3500K	153	128	111	220	230
101 ⇔ 125	4000K	127	128	163	220	230
126 ⇔ 150	4500K	106	128	200	220	230
151 ⇔ 175	5000K	092	128	230	220	230
176 ⇔ 200	5600K	073	128	255	220	230
201 ⇔ 225	6000K	048	128	255	220	230
226 ⇔ 250	6500K	019	128	255	220	230
251 ⇔ 255	--	000	000	000	000	000



De bovenstaande kleurtemperaturen zijn gesimuleerde weergaven van de geproduceerde kleuropbrengst, in vergelijking met een wolfram-lamp bij de opgegeven kleurtemperatuur. Chauvet geeft geen garantie over de nauwkeurigheid van de kleuropbrengst.

Beschrijving bedieningspaneel

Toets	Functie
<MENU>	Sluit het huidige menu of functie af
<ENTER>	Activeert het huidige getoonde menu of plaatst de huidige geselecteerde waarde in de geselecteerde functie
<UP>	Navigeert omhoog via het menu of verhoogt de numerieke waarde wanneer in een functie
<DOWN>	Navigeert omlaag via het menu of verlaagt de numerieke waarde wanneer in een functie
<Color Temperature>	Eerst indrukken en daarna draaien om de selecteren de kleurtemperatuur
<Dimmer>	Eerst indrukken en daarna draaien om de dimmer te verhogen of te verlagen
<Zoom>	Eerst indrukken en daarna draaien om de zoom te verhogen of te verlagen

Menumap

Raadpleeg de productpagina van Ovation F-415FC op www.chauvetprofessional.com voor de nieuwste menukaart.

Hoofdniveau	Programmeerniveaus	Beschrijving
DMX Address	001–512*	Selecteert het start-adres (*hoogste kanaal beperkt tot de gekozen persoonlijkheid)
DMX Channel	1Ch	1-kanaal: dimmer
	3Ch	3-kanaal: dimmer, virtuele kleurenwiel, kleurtemperatuur
	5Ch	5-kanaal: RGBAL
	7Ch	7-kanaal: dimmer, RGBAL, stroboscoop
	11Ch	11-kanaal: 16-bit dimmer, RGBAL, stroboscoop, virtuele kleurenwiel, kleurtemperatuur, zoom
	13Ch	13-kanaal: 16-bit RGBAL en dimmer, stroboscoop
	14Ch	14-kanaal: dimmer, RGBAL, stroboscoop, virtuele kleurenwiel, kleurtemperatuur, automatische programma's, programmasnelheid, controle, zoom, motor-reset
	18Ch	18-kanaal: 16-bit RGBAL en dimmer, stroboscoop, virtuele kleurenwiel, kleurtemperatuur, zoom, motor-reset, controle
	HSV	3-kanaal: tint, verzadiging, waarde
Virtual Color Wheel	Virtual Color Wheel C3050 - Md Yellow C3040 - Lt Yellow C3240 - Amb Yellow C2340 - VLt Amber C2040 - Lt Amber C2050 - Md Amber C2060 - Dk Amber C1050 - Lt Red C1080 - Md Red C1020 - NC Pink C1030 - Md Pink C1630 - Dk Pink C1250 - Md Red Amber C1060 - Dk Red Amber C1650 - Magenta C6170 - Dk Magenta C6020 - Lt Lavender C5030 - Lt Blue C5020 - VLt Blue C5430 - Lt Blue 2	Dimmer 000–255 Het virtuele kleurenwiel simuleert de opbrengst van elke gelkleur. Raadpleeg de sectie Kleurenkaart voor specifieke waarden.

Hoofdniveau	Programmeerniveaus		Beschrijving		
Virtual Color Wheel (vervolg)	Virtual Color Wheel (vervolg)	C5070 - Blue	Dimmer 000–255	Het virtuele kleurenwiel simuleert de opbrengst van elke gelkleur. Raadpleeg de sectie Kleurenkaart voor specifieke waarden.	
		C5050 - Md Blue			
		C5060 - Dk Blue			
		C5690 - Indigo			
		C5080 - VDk Blue			
		C5081 - VDk Blue 2			
		C4370 - Yel Green			
		C4070 - Green			
		C4550 - Turquoise			
		C4560 - Aqua			
	C4570 - Blue Green				
	Virtual Color Wheel (vervolg)	Color Temperature	2800K	Dimmer 000–255	Vooringestelde witte kleurtemperaturen. Emuleert een wolfram-lamp bij de opgegeven kleurtemperatuur. Raadpleeg de sectie Kleurtemperatuur-kaart voor specifieke waarden.
			3000K		
			3200K		
			3500K		
			4000K		
			4500K		
			5000K		
			5600K		
			6000K		
6500K					
Manual Color Mixer		Red	000–255	Combineert rood, groen, blauw, amber en lime om een aangepaste kleur te genereren (0–100%)	
		Green			
		Blue			
		Amber			
		Lime			
Color X-Fade Speed		Off		Schakelt de fade-overgang tussen kleuren uit	
		X-Fade Speed 1		Maakt een fade-overgang tussen kleuren bij gebruik van kleuren in het virtuele kleurenwiel of de kleurtemperatuurgrafiek, van snel (X-Fade Speed 1) tot langzaam (X-Fade Speed 4)	
		X-Fade Speed 2			
		X-Fade Speed 3			
		X-Fade Speed 4			
Auto Show	Auto 1–5	1–100	Selecteert automatische programma's en automatische programmasnelheid		
Zoom	0–255		Controleert de zoom		
Red Shift	On		Bootst halogeenlamp dimmen na		
	Off				
Master/Slave	Master		Ontvangt DMX-signalen van de DMX-controller		
	Slave		Ontvangt DMX-signalen van de master		
Dimmer Curve	S-Curve		Stelt de dimcurve in		
	Linear				
	Square				
	Inverse Square				
Dimmer Mode	Off		Lineaire dimmer		
	Dimmer 1–3		Selecteert dimprofielen van snel (Dimmer 1) tot langzaam (Dimmer 3)		

Hoofdniveau	Programmeerniveaus		Beschrijving
White Balance	Manual	Off	Gebruikt standaard witte instelling
		Red	Stelt de maximum waarde van de rood LED in
		Green	Stelt de maximum waarde van de groen LED in
		Blue	Stelt de maximum waarde van de blauw LED in
		Amber	Stelt de maximum waarde van de amber LED in
		Lime	Stelt de maximum waarde van de lime LED in
LED Frequency	600Hz		Selecteert de PWM-uitgangsfrequentie
	1200Hz		
	2000Hz		
	4000Hz		
	6000Hz		
	25KHz		
Fan Mode	Auto		Ingesteld de ventilator automatische modus
	On		Ingesteld de ventilator altijd aan modus
	Off		Ingesteld de ventilator altijd uit
	Silent		Ingesteld de ventilator stil
Back Light	10S		Schakelt de backlight van de display uit na 10s van inactiviteit
	30S		Schakelt de backlight van de display uit na 30s van inactiviteit
	2Min		Schakelt de backlight van de display uit na 2 min van inactiviteit
	Always On		De backlight van de display is altijd aan
Information	Fixture Hours	____H	Toont het totale aantal producturen
	LED Hours	<____H>	Toont het totaal aantal LED-uren
	Version	V_._	Toont de geïnstalleerde softwareversie
	UID	_____	Geeft de huidige UID
Reset Zoom w/ Power	No		Behoudt zoom in de laatste stand wanneer ingeschakeld
	Yes		Herstelt de zoom naar de beginpositie wanneer ingeschakeld
Factory Reset	No		Herstellen naar de fabrieksstandaard
	Yes		



WAARSCHUWING: Bij werking in de ventilatormodus: Uit, de armatuur wordt voel warmer aan dan bij gebruik van andere ventilatormodi. Gebruik de juiste beschermende uitrusting om brandwonden te voorkomen. Houd een veilige afstand van brandbare voorwerpen.



Bij werking in de ventilatormodus: Uit, uitvoer van de armatuur wordt verminderd en zal niet dezelfde niveaus bereiken als bij andere ventilatormodi.

DMX-waarden
18Ch / 14Ch / 13Ch / 11Ch / 7Ch / 5Ch / 3Ch

3Ch	5Ch	7Ch	11Ch	13Ch	14Ch	18Ch	Functie	Waarde	Percentage/Instelling
1	-	1	1	1	1	1	Dimmer	000 ⇔ 255	0-100%
-	-	-	2	2	-	2	Fijn dimmer	000 ⇔ 255	0-100%
-	1	2	3	3	2	3	Rood	000 ⇔ 255	0-100%
-	-	-	-	4	-	4	Fijn rood	000 ⇔ 255	0-100%
-	2	3	4	5	3	5	Groen	000 ⇔ 255	0-100%
-	-	-	-	6	-	6	Fijn groen	000 ⇔ 255	0-100%
-	3	4	5	7	4	7	Blauw	000 ⇔ 255	0-100%
-	-	-	-	8	-	8	Fijn blauw	000 ⇔ 255	0-100%
-	4	5	6	9	5	9	Amber	000 ⇔ 255	0-100%
-	-	-	-	10	-	10	Fijn amber	000 ⇔ 255	0-100%
-	5	6	7	11	6	11	Lime	000 ⇔ 255	0-100%
-	-	-	-	12	-	12	Fijn lime	000 ⇔ 255	0-100%
-	-	7	8	13	7	13	Stroboscoop	000 ⇔ 010 011 ⇔ 255	Geen functie Stroboscoop, langzaam tot snel
2	-	-	9	-	8	14	Virtueel kleurenwiel	000 ⇔ 255	Zie de Kleurenkaart
3	-	-	10	-	9	15	Kleurtemperatuur	000 ⇔ 255	Zie de Kleurtemperatuur-kaart
-	-	-	-	-	10	-	Programmes auto	000 ⇔ 010 011 ⇔ 060 061 ⇔ 110 111 ⇔ 160 161 ⇔ 210 211 ⇔ 255	Geen functie Auto 1 Auto 2 Auto 3 Auto 4 Auto 5
-	-	-	-	-	11	-	Autosnelheid	000 ⇔ 255	0-100%
-	-	-	11	-	-	16	Zoom	000 ⇔ 255	Smal tot breed
-	-	-	-	-	-	17	Motor-reset	000 ⇔ 200 201 ⇔ 220 221 ⇔ 255	Geen functie Motor-reset Geen functie

NL

3Ch	5Ch	7Ch	11Ch	13Ch	14Ch	18Ch	Functie	Waarde	Percentage/Instelling
-	-	-	-	-	12	18	Controle (houd 3 seconden ingedrukt)	000 ⇔ 007	Geen functie
								008 ⇔ 015	Dimmer reset
								016 ⇔ 023	Rode shift aan
								024 ⇔ 031	Rode shift uit
								032 ⇔ 039	S-Curve dimcurve
								040 ⇔ 047	Lineaire dimcurve
								048 ⇔ 055	Vierkante dimcurve
								056 ⇔ 063	Omgekeerde vierkante dimcurve
								064 ⇔ 071	Dimmer snelheid modus uit
								072 ⇔ 079	Dimmersnelheidsmodus 1
								080 ⇔ 087	Dimmersnelheidsmodus 2
								088 ⇔ 095	Dimmersnelheidsmodus 3
								096 ⇔ 103	Automatische ventilator
								104 ⇔ 111	Ventilator aan
								112 ⇔ 119	Ventilator uit
								120 ⇔ 127	Stille ventilator
							128 ⇔ 135	X-Fade Snelheid: OFF	
							136 ⇔ 143	X-Fade Snelheid: 1 (snelste)	
							144 ⇔ 151	X-Fade Snelheid: 2	
							152 ⇔ 159	X-Fade Snelheid: 3	
							160 ⇔ 167	X-Fade Snelheid: 4 (langzaamste)	
							168 ⇔ 225	Geen functie (gereserveerd)	
-	-	-	-	-	13	-	Zoom	000 ⇔ 255	Smal tot breed
-	-	-	-	-	14	-	Motor-reset	000 ⇔ 200	Geen functie
								201 ⇔ 220	Motor-reset
								221 ⇔ 255	Geen functie

1Ch

Kanaal	Functie	Waarde	Percentage/Instelling
1	Dimmer	000 ⇔ 255	0-100%

HSV

Kanaal	Functie	Waarde	Percentage/Instelling
1	Tint	000 ⇔ 255	0-100%
2	Verzadiging	000 ⇔ 255	0-100%
3	Waarde	000 ⇔ 255	0-100%

Intentionally Left Blank Page

Contact Us

General Information	Technical Support
Chauvet World Headquarters	
Address: 3360 Davie Rd., Suite 509 Davie, FL 33314 Voice: (954) 577-4455 Fax: (954) 929-5560 Toll Free: (800) 762-1084	Voice: (844) 393-7575 Fax: (954) 756-8015 Email: chauvetcs@chauvetlighting.com Website: www.chauvetdj.com
Chauvet U.K.	
Address: Pod 1 EVO Park Little Oak Drive, Sherwood Park Nottinghamshire, NG15 0EB UK Voice: +44 (0) 1773 511115 Fax: +44 (0) 1773 511110	Email: UKtech@chauvetlighting.eu Website: www.chauvetdj.eu
Chauvet Benelux	
Address: Stokstraat 18 9770 Kruishoutem Belgium Voice: +32 9 388 93 97	Email: BNLtech@chauvetlighting.eu Website: www.chauvetdj.eu
Chauvet France	
Address: 3, Rue Ampère 91380 Chilly-Mazarin France Voice: +33 1 78 85 33 59	Email: FRtech@chauvetlighting.fr Website: www.chauvetdj.eu
Chauvet Germany	
Address: Bruno-Bürgel-Str. 11 28759 Bremen Germany Voice: +49 421 62 60 20	Email: DEtech@chauvetlighting.de Website: www.chauvetdj.eu
Chauvet Mexico	
Address: Av. de las Partidas 34 - 3B (Entrance by Calle 2) Zona Industrial Lerma Lerma, Edo. de México, CP 52000 Voice: +52 (728) 690-2010	Email: servicio@chauvet.com.mx Website: www.chauvetdj.mx

Visit the applicable website above to verify our contact information and instructions to request support. Outside the U.S., U.K., Ireland, Benelux, France, Germany, or Mexico, contact the dealer of record.



RoHS

