

OVATION

E-910FC

User Manual



*Lens tube sold separately

Model ID: OVATIONE910FC-2

Edition Notes

The Ovation E-910FC User Manual includes a description, safety precautions, installation, programming, operation, and maintenance instructions for the Ovation E-910FC as of the release date of this edition.

Trademarks

Chauvet, Chauvet Professional, the Chauvet logo, and Ovation are registered trademarks or trademarks of Chauvet & Sons, LLC (d/b/a Chauvet and Chauvet Lighting) in the United States and other countries. Other company and product names and logos referred to herein may be trademarks of their respective companies.

Copyright Notice

The works of authorship contained in this manual, including, but not limited to, all designs, text, and images are owned by Chauvet.

© **Copyright 2025 Chauvet & Sons, LLC. All rights reserved.**

Electronically published by Chauvet in the United States of America.

Manual Use

Chauvet authorizes its customers to download and print this manual for professional information purposes only. Chauvet expressly prohibits the usage, copy, storage, distribution, modification, or printing of this manual or its content for any other purpose without written consent from Chauvet.

Document Printing

For best results, print this document in color, on letter size paper (8.5 x 11 in), double-sided. If using A4 paper (210 x 297 mm), configure the printer to scale the content accordingly.

Intended Audience

Any person installing, operating, and/or maintaining this product should completely read through the guide that shipped with the product, as well as this manual, before installing, operating, or maintaining this product.

Disclaimer

Chauvet believes that the information contained in this manual is accurate in all respects. However, Chauvet assumes no responsibility and specifically disclaims any and all liability to any party for any loss, damage, or disruption caused by any errors or omissions in this document, whether such errors or omissions result from negligence, accident, or any other cause. Chauvet reserves the right to revise the content of this document without any obligation to notify any person or company of such revision. However, Chauvet has no obligation to make, and does not commit to make, any such revisions.

Document Revision

Go to www.chauvetprofessional.com for the latest version.

Revision	Date	Description
18	03/2025	Initial release.

TABLE OF CONTENTS

1. Before You Begin	1
What Is Included	1
Claims	1
Text Conventions	1
Symbols	1
Safety Notes.....	2
FCC Statement of Compliance	3
RF Exposure Warning for North America and Australia.....	3
Expected LED Lifespan.....	3
2. Introduction	4
Features.....	4
Product Overview.....	4
Product Dimensions.....	5
3. Setup	6
AC Power.....	6
AC Plug.....	6
Fuse Replacement.....	6
Power Linking.....	6
DMX Linking.....	7
DMX Personalities.....	7
Remote Device Management.....	7
Master/Slave Connectivity.....	7
Mounting	8
Orientation.....	8
Rigging	8
Procedure.....	8
Adjustable Yoke	8
Manual Beam Focus Control.....	9
Rotating the Barrel Assembly.....	9
Accessory Slot	9
Soft Focus Filter	10
4. Operation	11
Control Panel Description	11
Control Options	11
Programming.....	11
Menu Map	11
DMX Configuration.....	14
DMX Personalities.....	14
Starting Address.....	14
Virtual Color Wheel	15
Virtual Color Wheel Chart	15
Color Temperature Chart	15

DMX Channel Assignments and Values	16
16Ch / 13Ch / 12Ch / 10Ch / 7Ch / 5Ch / 3Ch	16
1Ch.....	17
Hue.....	17
Standalone Configuration.....	17
Focus Mode	17
Static Mode	17
Virtual Color Wheel	17
Color Temperature.....	17
Manual Color Mixer.....	17
Color X-Fade Speed	17
Auto Show.....	17
Settings Configuration.....	18
Red Shift	18
Master/Slave	18
Dimmer Curve	18
Dimmer Speed Mode	18
White Balance	18
Pulse Width Modulation	18
Fan Mode	18
Display Backlight.....	18
Information	18
Error Codes.....	19
5. Maintenance.....	20
Product Maintenance	20
6. Technical Specifications	21
Contact Us	23
Warranty & Returns.....	23

1. Before You Begin

What Is Included

- Ovation E-910FC
- Seetronic Powerkon IP65 power cable
- Soft focus filter
- Quick Reference Guide

Claims

Carefully unpack the product immediately and check the container to make sure all the parts are in the package and are in good condition.






If the box or the contents (the product and included accessories) appear damaged from shipping, or show signs of mishandling, notify the carrier immediately, not Chauvet. Failure to report damage to the carrier immediately may invalidate a claim. In addition, keep the box and contents for inspection.

For other issues, such as missing components or parts, damage not related to shipping, or concealed damage, file a claim with Chauvet within 7 days of delivery.

Text Conventions

Convention	Meaning
1–512	A range of values
50/60	A set of values of which only one can be chosen
Settings	A menu option not to be modified
<ENTER>	A key to be pressed on the product's control panel

Symbols

Symbol	Meaning
	Electrical warning. Not following these instructions may cause electrical damage to the product, accessories, or the user.
	Critical installation, configuration, or operation information. Not following these instructions may make the product not work, cause damage to the product, or cause harm to the operator.
	Pinch point warning. Not following these instructions may result in damage to, or loss of, tools, digits, or limbs.
	Important installation or configuration information. The product may not function correctly if this information is not used.
	Useful information.

The term “DMX” used throughout this manual refers to the USITT DMX512-A digital data transmission protocol.



Connection of the control signal: DMX line

- The product has XLR sockets for DMX input and output.
- **Notice:** This control circuit is isolated and belongs to the Class 2 data port. The control circuit has a cumulative leakage current of less than 3.5 mA.

Safety Notes

Read all the following safety notes before working with this product. These notes contain important information about the installation, usage, and maintenance of this product.



This product contains no user-serviceable parts. Any reference to servicing in this User Manual will only apply to properly trained, certified technicians. Do not open the housing or attempt any repairs.



All applicable local codes and regulations apply to proper installation of this product.

- The luminaire is intended for professional use only.
- The luminaire should be positioned so that prolonged staring into the luminaire at a distance closer than 7.5 ft (2.5 m) is not expected.
- If the external flexible cable or cord of this luminaire is damaged, it shall be replaced by a special cord or cord exclusively available from the manufacturer or its service agent.
- The light source contained in this luminaire shall only be replaced by the manufacturer or its service agent or a similar qualified person.
- **CAUTION:**
 - This product's housing may be hot when operating. Mount this product in a location with adequate ventilation, at least 20 in (50 cm) from adjacent surfaces.
 - When transferring the product from extreme temperature environments, (e.g., cold truck to warm humid ballroom) condensation may form on the internal electronics of the product. To avoid causing a failure, allow the product to fully acclimate to the surrounding environment before connecting it to power.
 - Flashing light is known to trigger epileptic seizures. User must comply with local laws regarding notification of strobe use.
- **ALWAYS:**
 - Disconnect from power before cleaning the product or replacing the fuse.
 - Replace the fuse with the same type and rating.
 - Use a safety cable when mounting this product overhead.
 - Connect this product to a grounded and protected circuit.
- **DO NOT:**
 - Open this product. It contains no user-serviceable parts.
 - Look at the light source when the product is on.
 - Leave any flammable material within 50 cm of this product while operating or connected to power.
 - Connect this product to a dimmer or rheostat.
 - Operate this product if the housing, lenses, or cables appear damaged.
 - Operate this product outdoors or in any location where dust, excessive heat, water, or humidity may affect it (adhere to standards for the published IP rating).
- **ONLY** use the yoke or the carry handle to carry this product.
- The maximum ambient temperature is 113 °F (45 °C). Do not operate this product at higher temperatures.
- The minimum startup temperature is -4°F (-20°C). Do not start the product at lower temperatures.
- The minimum ambient temperature is -22°F (-30°C). Do not operate the product at lower temperatures.
- To eliminate unnecessary wear and improve its lifespan, during periods of non-use completely disconnect the product from power via breaker or by unplugging it.
- In the event of a serious operating problem, stop using immediately.



If this Chauvet product requires service, contact Chauvet Technical Support.

Before You Begin

FCC Statement of Compliance

This device complies with Part 15 Part B of the FCC rules. Operation is subject to the following two conditions:

1. This device may not cause harmful interference, and
2. This device must accept any interference received, including interference that may cause undesired operation.

This equipment has been tested and found to comply with the limits for a Class B digital device, pursuant to Part 15 of the FCC Rules. These limits are designed to provide reasonable protection against harmful interference in a residential installation. This equipment generates uses and can radiate radio frequency energy and, if not installed and used in accordance with the instructions, may cause harmful interference to radio communications. However, there is no guarantee that interference will not occur in a particular installation. If this equipment does cause harmful interference to radio or television reception, which can be determined by turning the equipment off and on, the user is encouraged to try to correct the interference by one or more of the following measures:

- Reorient or relocate the receiving antenna.
- Increase the separation between the equipment and receiver.
- Connect the equipment into an outlet on a circuit different from that to which the receiver is connected.
- Consult the dealer or an experienced radio/TV technician for help.

Any changes or modifications not expressly approved by the party responsible for compliance could void the user's authority to operate the equipment.

RF Exposure Warning for North America and Australia

Warning! This equipment complies with FCC radiation exposure limits set forth for an uncontrolled environment. This equipment should be installed and operated with a minimum distance of 20 cm between the radiator and the user. This transmitter must not be co-located or operating in conjunction with any other antenna or transmitter.

Expected LED Lifespan

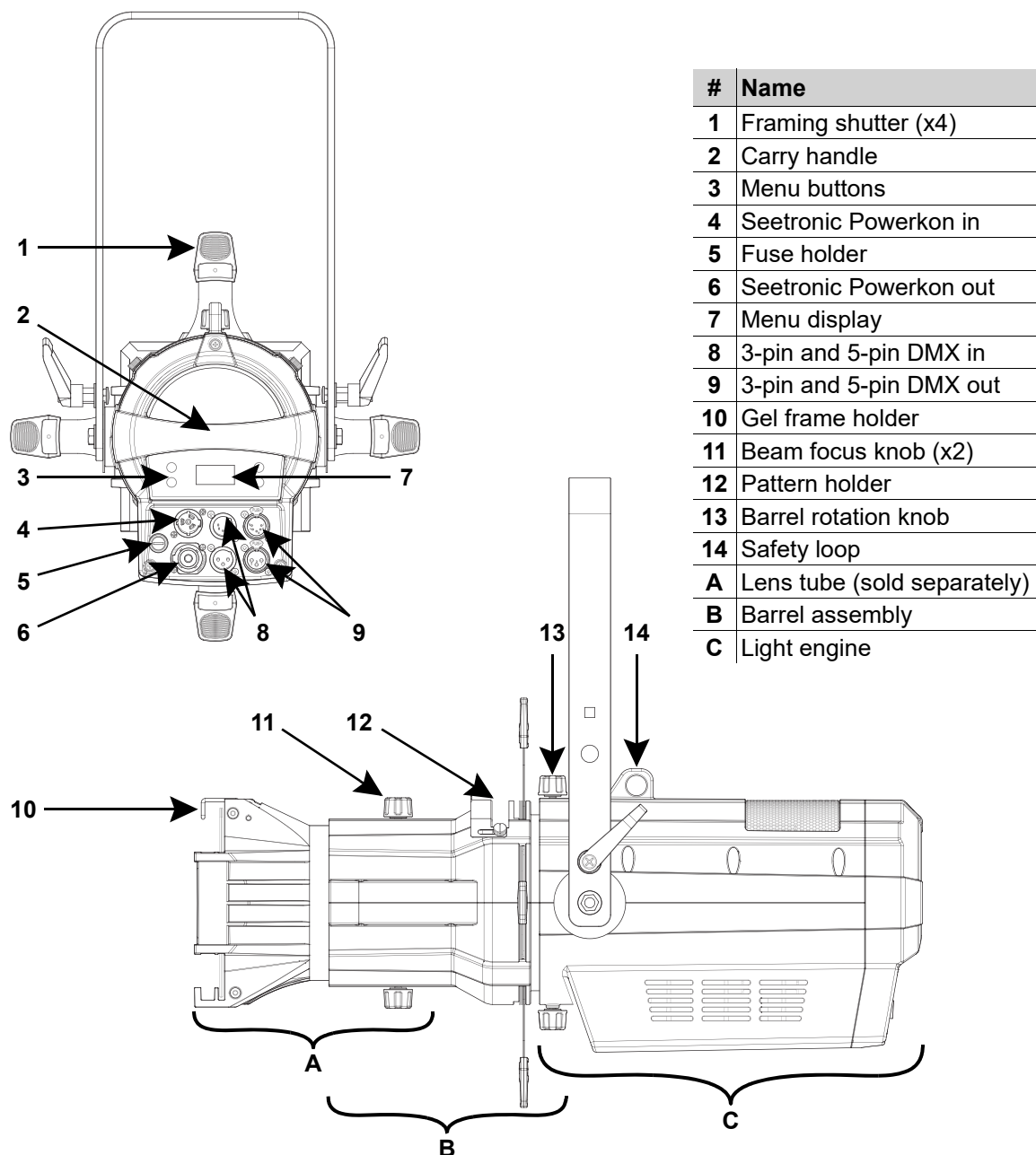
Over time, use and heat will gradually reduce LED brightness. Clustered LEDs produce more heat than single LEDs, contributing to shorter lifespans if always used at full intensity. The average LED lifespan is 40,000 to 50,000 hours. To extend LED lifespan, maintain proper ventilation around the product, and limit the overall intensity.

2. Introduction

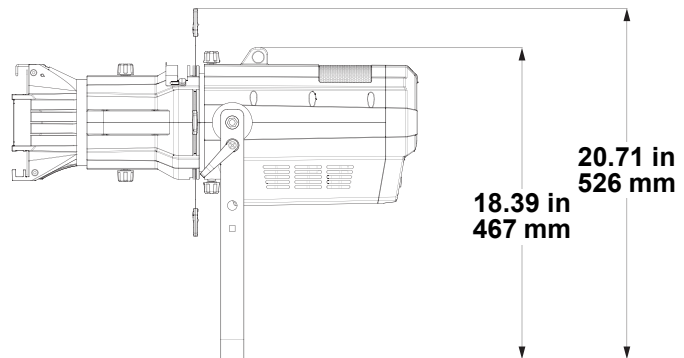
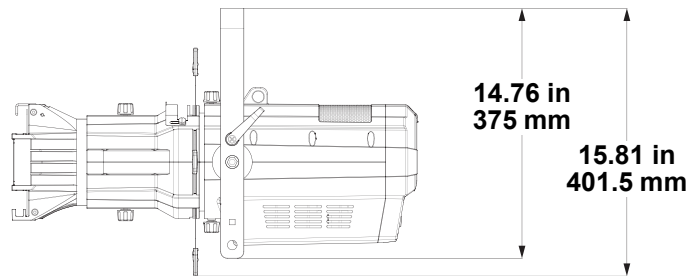
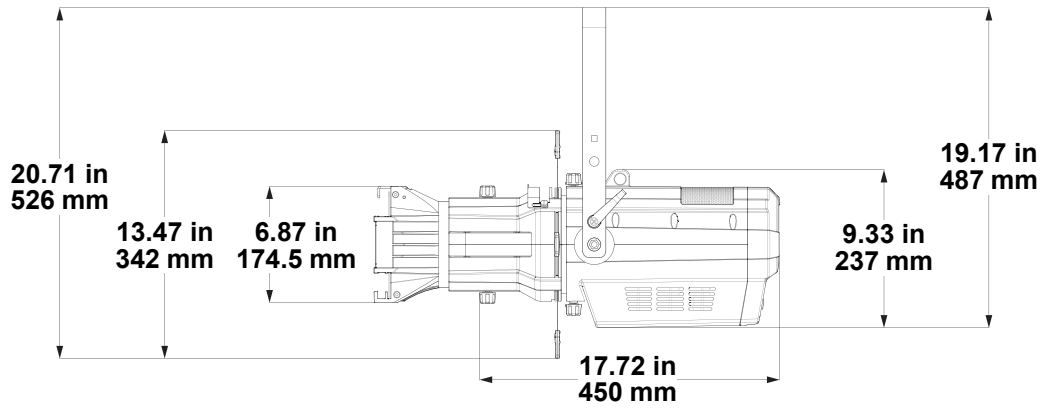
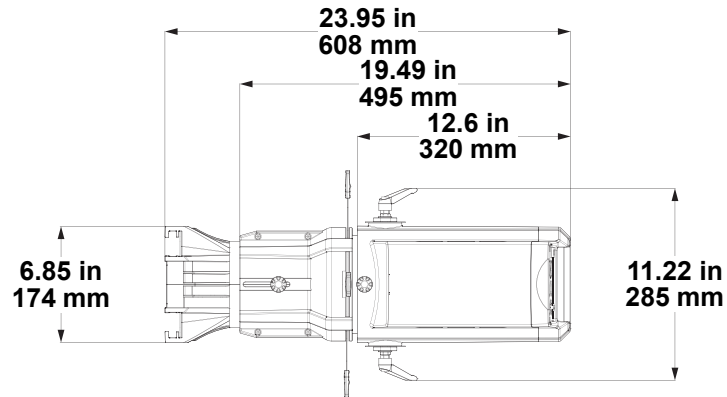
Features

- Full color LED (RGBAL) ERS-style lighting fixture for theatre, film and production
- Ultra smooth 16-bit dimming of master dimmer and individual colors
- Flat, even field of light with superior color mixing
- Virtual Color wheel with color matched to popular gel colors
- Color Temperature Presets from 2800 K to 6500 K with high CRI and CQS
- RDM (Remote Device Management) for added flexibility
- Adjustable PWM (Pulse Width Modulation) to avoid flickering on camera
- Virtually silent operation for use in studio and theatre applications
- Works perfectly with industry standard lens tubes and accessories

Product Overview



Product Dimensions



3. Setup

AC Power

The Ovation E-910FC has an auto-ranging power supply and it can work with an input voltage range of 100 to 240 VAC, 50/60 Hz.

To determine the product's power requirements (circuit breaker, power outlet, and wiring), use the current value listed on the label affixed to the product's back panel, or refer to the product's specifications chart. The listed current rating indicates the product's average current draw under normal conditions.



- **Always connect the product to a protected circuit (a circuit breaker or fuse). Ensure the product has an appropriate electrical ground to avoid the risk of electrocution or fire.**
- **To eliminate unnecessary wear and improve its lifespan, during periods of non-use completely disconnect the product from power via breaker or by unplugging it.**



Never connect the product to a rheostat (variable resistor) or dimmer circuit, even if the rheostat or dimmer channel serves only as a 0 to 100% switch.

AC Plug

The Ovation E-910FC comes with a power input cable terminated with a Seetronic Powerkon A connector on one end and an Edison plug on the other end (U.S. market). If the power cable which came with the product has no plug, or if it is necessary to change the plug, use the table below to wire a plug.

Connection	Wire (U.S.)	Wire (Europe)	Screw Color
AC Live	Black	Brown	Yellow or Brass
AC Neutral	White	Blue	Silver
AC Ground	Green/Yellow	Green/Yellow	Green

Fuse Replacement

1. Disconnect this product from the power outlet.
2. Using a flat-head screwdriver, unscrew the fuse holder cap from the housing.
3. Remove the blown fuse and replace with another fuse of the same type and rating (T 3.15 A, 250 V).
4. Screw the fuse holder cap back in place and reconnect power.

Power Linking

It is possible to power link Ovation E-910FC products. See the table below for the current draw at each voltage and frequency:

	100 V, 60 Hz	120 V, 60 Hz	208 V, 60 Hz	230 V, 50 Hz	240 V, 50 Hz
Current Draw	2.17 A	1.79 A	1.03 A	0.94 A	0.91 A

Never exceed 12 A on a single circuit. Power-linking cables can be purchased separately.

DMX Linking

The Ovation E-910FC can be linked to a DMX controller using a 3- or 5-pin DMX connection. If using other DMX-compatible products with this product, it's possible to control each individually with a single DMX controller.

DMX Personalities

The Ovation E-910FC uses a 3- or 5-pin DMX data connection for its 9 DMX personalities, ranging from **1Ch** to **16Ch**.

- Refer to the [Operation](#) chapter to learn how to configure the Ovation E-910FC to work in these personalities.
- The [DMX Channel Assignments and Values](#) section provides detailed information regarding the DMX personalities.



For information about DMX standards, Master/Slave connectivity, or the DMX cables needed to link this product to a DMX controller, download the DMX Primer from the Chauvet website: www.chauvetprofessional.com.

Remote Device Management

Remote Device Management, or RDM, is a standard for allowing DMX-enabled devices to communicate bi-directionally along existing DMX cabling. Check the DMX controller's User Manual or with the manufacturer as not all DMX controllers have this capability. The Ovation E-910FC supports RDM protocol that allows feedback to make changes to menu map options.

Master/Slave Connectivity

The Master/Slave mode allows an Ovation E-910FC (the master) to control one or more Ovation E-910FC products (the slaves) without a DMX controller. One Ovation E-910FC becomes the master when running an auto program or in Static mode.

Each slave's control panel must be configured to operate in Slave mode. During Master/Slave operation, the slaves will operate in unison with the master.



DO NOT connect a DMX controller to products operating in Master/Slave mode. The DMX controller signals may interfere with the signals from the master.



- The [Operation](#) section of this manual provides detailed instructions on how to configure the master and slaves.
- For more information about DMX standards or the DMX cables needed to link this product to a DMX controller, download the DMX primer from the Chauvet website: www.chauvetprofessional.com.

Mounting

Before mounting the product, read and follow the safety recommendations indicated in the [Safety Notes](#).

Orientation

Always mount this product in a safe position, making sure there is adequate room for ventilation, configuration, and maintenance.

Rigging

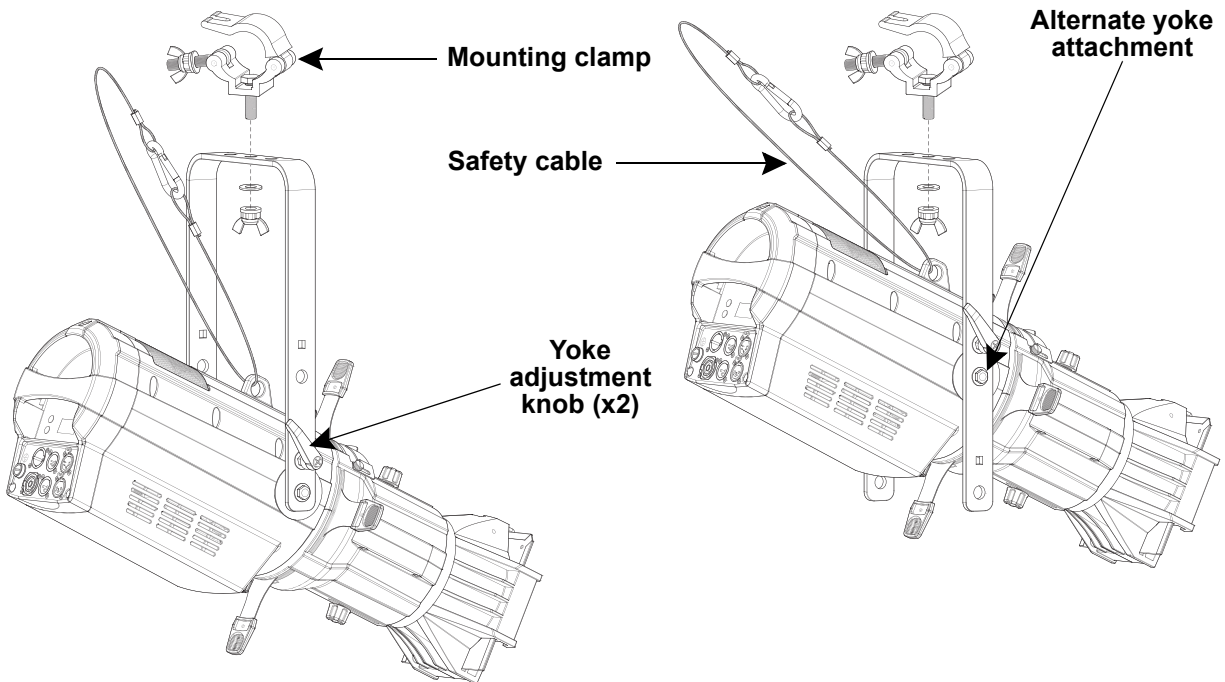
Chauvet recommends using the following general guidelines when mounting this product.

- Before deciding on a location for the product, make sure there is easy access to the product for maintenance and programming purposes.
- Make sure that the structure and attachment points can support the weight before hanging the product (see the [Technical Specifications](#) for weight information).
- When mounting the product overhead, always use a safety cable. Mount the product securely to a rigging point, whether an elevated platform or a truss.
- When rigging the product onto a truss, use a mounting clamp of appropriate weight capacity.
- When power linking multiple products, mount the products close enough for power-linking cables to reach.
- The bracket adjustment knobs allow for directional adjustment when aiming the product to the desired angle. Only loosen or tighten the bracket knobs manually. Using tools could damage the knobs.

Procedure

The Ovation E-910FC comes with an adjustable yoke. The user can directly attach a mounting clamp (sold separately) to this yoke. Make sure the clamp is capable of supporting the weight of this product. For the Chauvet Professional line of mounting clamps, go to <http://www.trusst.com/products>.

Mounting Diagram



Adjustable Yoke


The Ovation E-910FC comes with an adjustable yoke for mounting in low-clearance areas. To modify the height of the yoke, do the following:

1. Loosen the yoke adjustment knobs.
2. On each side of the product remove the 2 bolts attaching the plate to the yoke.
3. Adjust the position of the yoke to one of the 2 mounting points.
4. Put the bolts back in place, and tighten them and the yoke adjustment knobs.

Manual Beam Focus Control

The Ovation E-910FC has a manual focus, which is adjusted as follows:

1. Locate the beam focus knobs at the top and bottom of the barrel assembly.
2. Loosen the knobs by turning them counterclockwise.
3. Slide the lens tube forward or backward until the desired focus or beam edge is achieved.
4. Tighten the knobs by turning them clockwise, which locks the lens tube's position.

 **To avoid changing menu settings while focusing the Ovation E-910FC, press and hold the <ENTER> button for 3 seconds. This will put the product in Focus Mode, by increasing the intensity to 100%. To exit out of focus mode, press <MENU>.**

Rotating the Barrel Assembly

The Ovation E-910FC allows manual rotation of the barrel assembly, as follows:

1. Locate the barrel rotation knobs at the top and bottom of the light engine.
2. Loosen the knobs by turning them counterclockwise. (Note: Do not remove the knobs.)
3. Rotate the barrel to the desired position, up to 25° in either direction from the centered position.
4. Tighten the knobs by turning them clockwise, which locks the barrel's position.

 **Ensure that the barrel assembly is oriented with the pattern holder and accessory slots at the top of the product.**

Accessory Slot

The Ovation E-910FC has an accessory slot, which holds a drop-in iris, a motorized pattern device, or various other optional accessories (sold separately).

1. Loosen the thumbscrews on the slot cover.



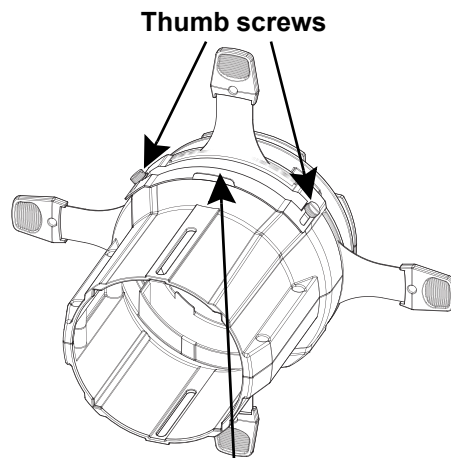
Do not remove the thumbscrews.

2. Slide the cover forward.
3. Insert an accessory.

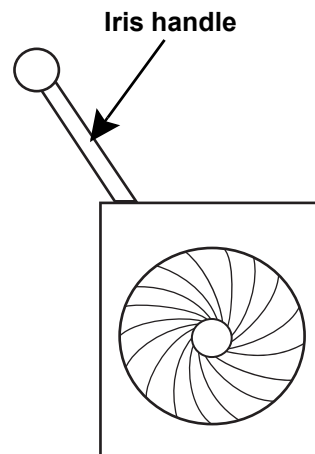


Make sure to insert the accessory correctly. i.e., the iris handle extends upward from the slot.

4. Slide the cover back. Make sure any handles or adjustment tools that stick out the top are able to function correctly.
5. Tighten the thumbscrews to secure the cover.



Accessory slot cover



Example drop-in iris

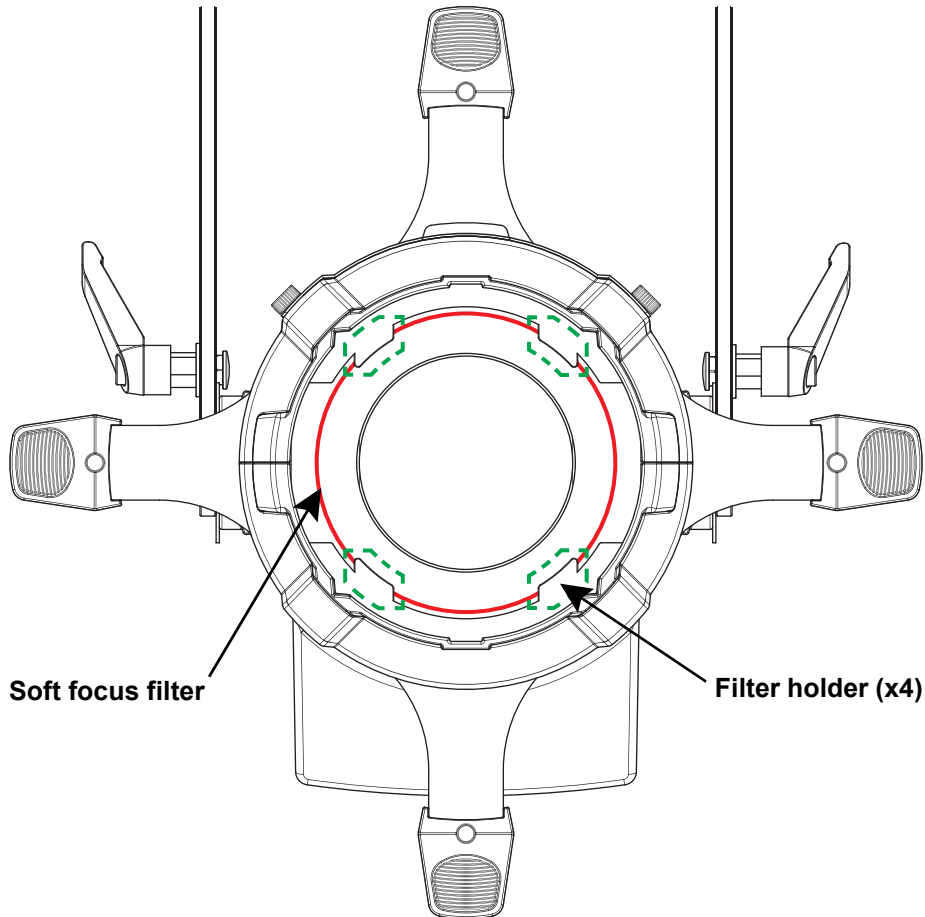


- **When not using the accessory slot, replace and secure the slot cover to prevent light leakage during operation.**
- **When obtaining any optional accessories, be sure the items are compatible with the Ovation E-910FC.**

Soft Focus Filter

The Ovation E-910FC comes with a soft-focus filter included in the box.

- To install the soft-focus filter into the fixture, gently squeeze the filter and carefully slide it under the filter holders. Make sure to follow the orientation direction printed on the filter.
- To remove the soft-focus filter, gently squeeze and slide the filter out from under the four filter holders.



To keep the soft focus filter in good condition:

- Ensure that no fingerprints are left on the filter, as this may cause the filter to heat unevenly and eventually warp.
- When inserting shutter blades into the light path, note that the heat is reflected back at the filter. The deeper the blades are inserted, and the longer the fixture runs, the more heat gets reflected on to the filter, causing it to warp and potentially adhere to the shutter blades.



If there is a protective film on the soft-focus filter, it must be removed before use.



- **The lifespan and effectiveness of the Soft Focus Filter accessory included with this product will be negatively impacted by excessive reflected heat caused by the extended use of gobos, shutters, irises, and other beam-shaping accessories. The filter is not covered by the limited warranty. Replacements are available for purchase.**
- **Do not use the soft-focus filter with gobos or large shutter cuts. Doing so will cause excessive heat reflection onto the filter, causing it to melt and warp. This filter is intended to eliminate LED imaging (skittles) when directly viewing the lens.**

4. Operation

Control Panel Description

Button	Function
<MENU>	Exits from the current menu or function
<ENTER>	Enables the currently displayed menu or sets the selected value into the selected function
<UP>	Navigates upwards through the menu list or increases the numeric value when in a function
<DOWN>	Navigates downwards through the menu list or decreases the value when in a function

Control Options

Set the Ovation E-910FC starting address in the **001–497** DMX range. This enables control of up to 32 products in the 16-channel **16Ch** personality.

Programming

Refer to the menu map to understand the menu options. The menu map shows the main menu and a variable number of programming levels for each option.

- To access the main menu, press **<MENU>**.
- To navigate to the desired option in the main menu, press **<MENU>** repeatedly until the option is indicated, or use **<UP>** or **<DOWN>** to navigate directly.
- Press **<ENTER>** to select the indicated option.
- Use **<UP>** or **<DOWN>** to navigate within a programming level until the desired option is indicated.
- To return to the main menu, press **<MENU>** repeatedly until it shows on the display.

Menu Map

Refer to the Ovation E-910FC product page on www.chauvetprofessional.com for the latest menu map.

Main Menu	Programming Levels		Description
DMX Address	001–512*		Selects DMX address (*highest channel restricted to personality chosen)
DMX Channel	1Ch		1-channel: dimmer
	3Ch		3-channel: dimmer, virtual color wheel, color temperature
	5Ch		5-channel: RGBAL
	7Ch		7-channel: dimmer, RGBAL, strobe
	10Ch		10-channel: 16-bit dimmer, RGBAL, strobe, virtual color wheel, color temperature
	12Ch		12-channel: dimmer, RGBAL, strobe, virtual color wheel, color temperature, auto program, auto speed, control
	13Ch		13-channel: 16-bit dimmer, 16-bit RGBAL, strobe
	16Ch		16-channel: 16-bit dimmer, 16-bit RGBAL control, strobe, virtual color wheel, color temperature, control
	HSV		3-channel: hue, saturation, value
Virtual Color Wheel	Virtual Color Wheel	C3050 - Md Yellow	Dimmer 000–255 Virtual Color Wheel simulates the output of each gel color. Refer to the Virtual Color Wheel Chart for specific values.
		C3040 - Lt Yellow	
		C3240 - Amb Yellow	
		C2340 - VLt Amber	
		C2040 - Lt Amber	
		C2050 - Md Amber	
		C2060 - Dk Amber	
		C1050 - Lt Red	
		C1080 - Md Red	

Main Menu	Programming Levels		Description	
Virtual Color Wheel (cont.)	Virtual Color Wheel (cont.)	C1020 - NC Pink	Dimmer 000–255	Virtual Color Wheel simulates the output of each gel color. Refer to the Virtual Color Wheel Chart for specific values.
		C1030 - Md Pink		
		C1630 - Dk Pink		
		C1250 - Md Red Amber		
		C1060 - Dk Red Amber		
		C1650 - Magenta		
		C6170 - Dk Magenta		
		C6020 - Lt Lavender		
		C5030 - Lt Blue		
		C5020 - VLt Blue		
		C5430 - Lt Blue 2		
		C5070 - Blue		
		C5050 - Md Blue		
		C5060 - Dk Blue		
		C5690 - Indigo		
		C5080 - VDk Blue		
		C5081 - VDk Blue 2		
	C4370 - Yel Green			
	C4070 - Green			
	C4550 - Turquoise			
C4560 - Aqua				
C4570 - Blue Green				
Color Temperature	Color Temperature	2800K	Dimmer 000–255	Preset white color temperatures. Emulates a tungsten lamp at the specified color temperature. Refer to the Color Temperature Chart for specific values.
		3000K		
		3200K		
		3500K		
		4000K		
		4500K		
		5000K		
		5600K		
		6000K		
		6500K		
Manual Color Mixer	Manual Color Mixer	Red	000–255	Combines red, green, blue, amber, and lime to make a custom color (0–100%)
		Green		
		Blue		
		Amber		
		Lime		
Color X-Fade Speed	Color X-Fade Speed	Off	000–255	Turns off the fade transition between colors
		X-Fade Speed 1		Creates fade transition between colors when using colors in the Virtual Color Wheel or Color Temperature chart, from fast (X-Fade Speed 1) to slow (X-Fade Speed 4)
		X-Fade Speed 2		
		X-Fade Speed 3		
		X-Fade Speed 4		
Auto Show	Auto 1–5	1–100		Selects automatic programs and auto program speed
Red Shift		On		Mimics halogen lamp dimming
		Off		

Operation

Main Menu	Programming Levels			Description
Master/ Slave	Master			Receives DMX signal from the DMX controller (master)
	Slave			Receives DMX signal from the master unit
Dimmer Curve	SCurve			Sets the dimmer curve
	Linear			
	Square			
	Inverse Square			
Dimmer Mode	Off			Linear dimmer
	Dimmer 1–3			Dimming curves, from fast (Dimmer 1) to slow (Dimmer 3)
White Balance	Off			Uses factory default white setting
	Manual	Red	125–255	Sets red LED maximum value
		Green		Sets green LED maximum value
		Blue		Sets blue LED maximum value
		Amber		Sets amber LED maximum value
		Lime		Sets lime LED maximum value
LED Frequency	600Hz			Sets the PWM frequency
	1200Hz			
	2000Hz			
	4000Hz			
	6000Hz			
	25KHz			
Fan Mode	Auto			Sets the fan to auto mode
	On			Sets the fan to always on
	Off			Sets the fan to always off
	Silent			Sets the fan to silent
Back Light	10S			Turns off display backlight after 10 seconds
	30S			Turns off display backlight after 30 seconds
	2Min			Turns off display backlight after 2 minutes
	Always On			Display backlight remains on
Information	Fixture Hours	---_H		Shows total hours the product has been powered on
	LED Hours	---_H		Shows total hours the LEDs have been powered on
	Version	V_._		Shows current firmware version
	UID	-----		Shows product UID



When operating in Fan Mode: Off, the output of the fixture will be reduced and will not reach the same levels as when using other fan modes.



When operating in Fan Mode: Off and Fan Mode: Silent, the product will become hotter to the touch than when using other fan modes. Use proper protective equipment to prevent burns. Keep a safe distance from flammable objects.

DMX Configuration

Use control configurations to operate the product with a DMX controller.

DMX Personalities

To set the DMX personality:

1. Go to the **DMX Channel** main level.
2. Select the desired personality, from **1Ch, 3Ch, 5Ch, 7Ch, 10Ch, 12Ch, 13Ch, 16Ch**, and **HSV**.



- See the [Starting Address](#) section for the highest selectable starting address for each personality.
- Make sure that the starting addresses on the various products do not overlap due to the new personality setting.

Starting Address

Each product will respond to a unique starting address from the controller. All products with the same starting address will respond in unison. To set the starting address in DMX mode:

1. Go to the **DMX Address** main level.
2. Select the starting address (**001–512**).

Personality	Highest Address	Products per Universe
1Ch	512	512
3Ch	510	170
5Ch	508	102
7Ch	506	73
10Ch	503	51
12Ch	501	42
13Ch	500	39
16Ch	497	32
HSV	510	170

Virtual Color Wheel

The Ovation E-910FC includes a feature called the Virtual Color Wheel (VCW). This feature is available as a standalone control mode for manual use and as a control channel in select DMX personalities. More than 30 colors, custom blended by Chauvet engineers, are available to call up for easier programming.

The DMX values used to mix these colors are provided below. The overall intensity of the Ovation fixture can be adjusted to more closely replicate familiar industry-standard colors. A chart is available at www.chauvetprofessional.com to compare Chauvet's premixed colors with popular gel colors. This chart is for comparison purposes only and is not an assertion that Chauvet's premixed colors match any of the gel colors listed.

Virtual Color Wheel Chart

Value	Display Readout	R	G	B	A	L	Value	Display Readout	R	G	B	A	L
000 ⇔ 005	--	--	--	--	--	--	131 ⇔ 138	C6020 - Lt Lavender	127	122	142	251	255
006 ⇔ 013	C3050 - Md Yellow	233	163	020	123	255	139 ⇔ 146	C5030 - Lt Blue	000	255	197	100	255
014 ⇔ 021	C3040 - Lt Yellow	224	158	047	255	231	147 ⇔ 154	C5020 - VLt Blue	158	255	189	000	255
022 ⇔ 028	C3240 - Amb Yellow	180	060	000	245	255	155 ⇔ 162	C5430 - Lt Blue2	000	255	180	000	243
029 ⇔ 035	C2340 - VLt Amber	245	107	081	255	213	163 ⇔ 170	C5070 - Blue	043	255	210	043	036
036 ⇔ 043	C2040 - Lt Amber	230	130	062	255	155	171 ⇔ 178	C5050 - Md Blue	000	255	218	000	181
044 ⇔ 051	C2050 - Md Amber	255	000	025	255	194	179 ⇔ 186	C5060 - Dk Blue	000	210	206	000	118
052 ⇔ 059	C2060 - Dk Amber	255	000	024	255	150	187 ⇔ 194	C5690 - Indigo	065	000	210	040	055
060 ⇔ 067	C1050 - Lt Red	255	037	027	030	038	195 ⇔ 202	C5080 - VDk Blue	000	203	230	000	040
068 ⇔ 075	C1080 - Md Red	255	004	017	000	000	203 ⇔ 210	C5081 - VDk Blue2	040	199	240	000	045
076 ⇔ 083	C1020 - NC Pink	238	135	129	255	255	211 ⇔ 218	C4370 - Yel Green	027	255	028	016	104
084 ⇔ 091	C1030 - Md Pink	255	131	120	255	195	219 ⇔ 226	C4070 - Green	049	255	055	120	090
092 ⇔ 099	C1630 - Dk Pink	250	165	123	255	210	227 ⇔ 234	C4550 - Turquoise	060	230	109	000	245
100 ⇔ 107	C1250 - Md Red Amber	255	000	041	195	055	235 ⇔ 242	C4560 - Aqua	020	240	126	036	255
108 ⇔ 115	C1060 - Dk Red Amber	255	000	045	120	030	243 ⇔ 250	C4570 - Blue Green	000	255	079	030	053
116 ⇔ 121	C1650 - Magenta	255	050	115	255	115	251 ⇔ 255	--	--	--	--	--	--
122 ⇔ 130	C6170 - Dk Magenta	255	035	117	000	000							



The colors above are simulated renditions of the color output produced compared with other similar incandescent products. Chauvet makes no guarantee of the color output accuracy.

Color Temperature Chart

Value	Color Temperature	Red	Green	Blue	Amber	Lime
000 ⇔ 005	No function	--	--	--	--	--
006 ⇔ 025	2800K	187	130	97	255	255
026 ⇔ 050	3000K	177	145	105	255	255
051 ⇔ 075	3200K	168	157	113	255	255
076 ⇔ 100	3500K	163	177	124	255	255
101 ⇔ 125	4000K	151	195	141	255	255
126 ⇔ 150	4500K	145	214	157	255	255
151 ⇔ 175	5000K	138	227	170	255	255
176 ⇔ 200	5600K	130	239	184	255	255
201 ⇔ 225	6000K	126	246	193	255	255
226 ⇔ 250	6500K	120	254	201	255	255
251 ⇔ 255	No function	--	--	--	--	--



The color temperatures above are simulated renditions of the color output produced compared with a tungsten lamp at the specified color temperature. Chauvet makes no guarantee of the color output accuracy.

DMX Channel Assignments and Values

16Ch / 13Ch / 12Ch / 10Ch / 7Ch / 5Ch / 3Ch

3	5	7	10	12	13	16	Function	Value	Percent/Setting
1	1	1	1	1	1	1	Dimmer	000 ⇄ 255	0–100%
–	–	2	2	–	2	2	Fine dimmer	000 ⇄ 255	0–100%
–	2	3	3	2	3	3	Red	000 ⇄ 255	0–100%
–	–	–	–	–	4	4	Fine red	000 ⇄ 255	0–100%
–	3	4	4	3	5	5	Green	000 ⇄ 255	0–100%
–	–	–	–	–	6	6	Fine green	000 ⇄ 255	0–100%
–	4	5	5	4	7	7	Blue	000 ⇄ 255	0–100%
–	–	–	–	–	8	8	Fine blue	000 ⇄ 255	0–100%
–	5	6	6	5	9	9	Amber	000 ⇄ 255	0–100%
–	–	–	–	–	10	10	Fine amber	000 ⇄ 255	0–100%
–	–	7	7	6	11	11	Lime	000 ⇄ 255	0–100%
–	–	–	–	–	12	12	Fine lime	000 ⇄ 255	0–100%
–	–	–	8	7	13	13	Strobe	000 ⇄ 010 011 ⇄ 255	No function Strobe, slow to fast
2	–	–	9	8	–	14	Virtual Color Wheel	000 ⇄ 255	See the Virtual Color Wheel Chart
3	–	–	10	9	–	15	Color temperature	000 ⇄ 255	See the Color Temperature Chart
–	–	–	–	10	–	–	Automatic program	000 ⇄ 010 011 ⇄ 060 061 ⇄ 110 111 ⇄ 160 161 ⇄ 210 211 ⇄ 255	No function Automatic program 1 Automatic program 2 Automatic program 3 Automatic program 4 Automatic program 5
–	–	–	–	11	–	–	Automatic speed	000 ⇄ 255	Program speed, slow to fast
–	–	–	–	12	–	16	Control (hold for 3 seconds)	000 ⇄ 007 008 ⇄ 015 016 ⇄ 023 024 ⇄ 031 032 ⇄ 039 040 ⇄ 047 048 ⇄ 055 056 ⇄ 063 064 ⇄ 071 072 ⇄ 079 080 ⇄ 087 088 ⇄ 095 096 ⇄ 103 104 ⇄ 111 112 ⇄ 119 120 ⇄ 127 128 ⇄ 135 136 ⇄ 255	No function Dimmer reset Red shift on Red shift off S-Curve dimmer curve Linear dimmer curve Square dimmer curve Inverse Square dimmer curve Dimmer mode off Dimmer mode 1 Dimmer mode 2 Dimmer mode 3 X-fade speed off X-fade speed 1 (fastest) X-fade speed 2 X-fade speed 3 X-fade speed 4 (slowest) Reserved for future use

Operation

1Ch

Channel	Function	Value	Percent/Setting
1	Dimmer	000 ⇄ 255	0–100%

Hue

Channel	Function	Value	Percent/Setting
1	Hue	000 ⇄ 255	0–100%
2	Saturation	000 ⇄ 255	0–100%
3	Value	000 ⇄ 255	0–100%

Standalone Configuration

Focus Mode

Focus mode allows for focusing of the Ovation E-910FC without changing any menu settings.

1. Press and hold **<ENTER>** for 3 seconds. The intensity will increase to 100%.
2. Press **<MENU>** to exit to previous settings.

Static Mode

The static mode options under **Virtual Color Wheel** also include preset color temperatures and a manual color mixer.

Virtual Color Wheel

To select from the Virtual Color Wheel:

1. Go to the **Virtual Color Wheel** main level.
2. Select the **Virtual Color Wheel** option.
3. Select the desired virtual gel color (see the [Virtual Color Wheel Chart](#)).
4. Set the **Dimmer** value (**000–255**).

Color Temperature

To select a preset color temperature via the menu map:

1. Go to the **Virtual Color Wheel** main level.
2. Select the **Color Temperature** option.
3. Select the desired color temperature (see the [Color Temperature Chart](#)).
4. Set the **Dimmer** value (**000–255**).

Manual Color Mixer

To manually mix a custom static color:

1. Go to the **Virtual Color Wheel** main level.
2. Select **Manual Color Mixer**.
3. Select the color to edit (**Red, Green, Blue, Amber, or Lime**).
4. Set the value for the selected color (**000–255**).
5. Repeat steps 3 and 4 until product outputs as desired.

Color X-Fade Speed

To select the Virtual Color Wheel cross-fade speed:

1. Go to the **Virtual Color Wheel** main level.
2. Select **Color X-Fade Speed**.
3. Select the speed, from **Off** (snap), **X-Fade Speed 1** (fastest), **X-Fade Speed 2**, **X-Fade Speed 3**, or **X-Fade Speed 4** (slowest).

Auto Show

To select an automatic program:

1. Go to the **Auto Show** main level.
2. Select the desired auto program (**Auto 1–5**).
3. Set the **Speed** value (**1–100**).

Settings Configuration

Red Shift

With red shift enabled, the color temperature will warm as the dimmer decreases in imitation of a lamp. To enable or disable the red shift function:

1. Go to the **Red Shift** main level.
2. Select from **On** or **Off**.

Master/Slave

To set the Ovation E-910FC product to master or slave mode:

1. Go to the **Master/Slave** main level.
2. Select from **Master** (sends control signal) or **Slave** (receives control signal).



- **Configure all the slave products before connecting the master to the daisy chain.**
- **Never connect a DMX controller to a DMX string configured for Master/Slave operation because the controller may interfere with the signals from the master.**
- **Do not connect more than 31 slaves to the master.**

Dimmer Curve

To set the dimmer curve:

1. Go to the **Dimmer Curve** main level.
2. Select from **S Curve**, **Linear**, **Square**, or **Inverse Square**.

Dimmer Speed Mode

To set the dimmer speed:

1. Go to the **Dimmer Mode** main level.
2. Select the dimmer speed mode from **Off** (instant), **Dimmer 1** (fastest), **Dimmer 2**, or **Dimmer 3** (slowest).

White Balance

This setting determines the maximum output values for each color, which affects the appearance of a full output white.

1. Go to the **White Balance** main level.
2. Select **Off** (the product will use a default setting) or **Manual**.
3. For **Manual** mode, select the color value to edit (**Red**, **Green**, **Blue**, **Amber**, or **Lime**).
4. Set the maximum value for the selected color (**125–255**).
5. Repeat steps 3 and 4 until the product outputs as desired.

Pulse Width Modulation

To set the frequency of the pulse width modulation:

1. Go to the **LED Frequency** main level.
2. Select the PWM frequency, from **600Hz**, **1200Hz**, **2000Hz**, **4000Hz**, **6000Hz**, or **25KHz**.

Fan Mode

To set the fan mode:

1. Go to the **Fan Mode** main level.
2. Select the fan mode, from **Auto** (adjusts to product temperature), **On** (always on), **Off** (always off), or **Silent** (silent mode).



When operating in Fan Mode: Off, the output of the fixture will be reduced and will not reach the same levels as when using other fan modes.



When operating in Fan Mode: Off and Fan Mode: Silent, the product will become hotter to the touch than when using other fan modes. Use proper protective equipment to prevent burns. Keep a safe distance from flammable objects.

Display Backlight

To set how long the display will stay lit without activity:

1. Go to the **Back Light** main level.
2. Select from **10S** (10 seconds), **30S** (30 seconds), **2Min** (2 minutes), or **Always On**.

Information

To view product information, such as the number of hours the product has been on, the driver firmware, etc., go to the **Information** main level.

Operation

Error Codes

See the table below for error codes and recommended solutions:

Error Code	Possible Reason	Potential Solution
Temperature shows -40°C	The thermistor is not welded properly	Replace the board or weld the thermistor
	The temperature wire is not connected or has poor connection	Check the wire connection
Temperature shows 125°C	The thermistor is not welded properly	Replace the board or weld the thermistor
	The temperature control connector short circuited	Check the temperature control wire connector

5. Maintenance

Product Maintenance

Dust build-up reduces light output performance and can cause overheating. This can lead to reduction of the light source's life and/or mechanical wear. To maintain optimum performance and minimize wear, clean each lighting product at least twice a month. However, be aware that usage and environmental conditions could be contributing factors to increase the cleaning frequency.

To clean the product, follow the instructions below:

1. Unplug the product from power.
2. Wait until the product is at room temperature.
3. Use a vacuum (or dry compressed air) and a soft brush to remove dust collected on the external surface/vents.
4. Clean all transparent surfaces with a mild soap solution, ammonia-free glass cleaner, or isopropyl alcohol.
5. Apply the solution directly to a soft, lint free cotton cloth or a lens cleaning tissue.
6. Softly drag any dirt or grime to the outside of the transparent surface.
7. Gently polish the transparent surfaces until they are free of haze and lint.



Always dry the transparent surfaces carefully after cleaning them.

6. Technical Specifications

Dimensions and Weight

Lens Tube	Length	Width	Height	Weight
Fixture only	19.49 in (495 mm)	11.22 in (285 mm)	19.17 in (487 mm)	15.4 lb (7.1 kg)
14° (extended)	28.74 in (730 mm)	11.22 in (285 mm)	19.17 in (487 mm)	20.8 lb (9.43 kg)
26° (extended)	25.91 in (658 mm)	11.22 in (285 mm)	19.17 in (487 mm)	19.8 lb (9 kg)
15°–30°	32.87 in (853 mm)	14.61 in (371 mm)	14.61 in (371 mm)	29.4 lb (13.3 kg)
25°–50°	27.17 in (690 mm)	14.61 in (371 mm)	14.61 in (371 mm)	27 lb (12.2 kg)

Note: Dimensions in inches are rounded.

Power

Power Supply Type	Range			Voltage Selection	
Switching (internal)	100 to 240 VAC, 50/60 Hz			Auto-ranging	
Parameter	100 V, 60 Hz	120 V, 60 Hz	208 V, 60 Hz	230 V, 50 Hz	240 V, 50 Hz
Consumption	220 W	215 W	214 W	216 W	217 W
Operating current	2.17 A	1.79 A	1.04 A	0.94 A	0.91 A
Power linking current (Products)	12 A (5 products)	12 A (6 products)	12 A (11 products)	12 A (12 products)	12 A (13 products)
Power I/O	U.S./Worldwide		UK/Europe		
Power Input Connector	Seetronic Powerkon IP65		Seetronic Powerkon IP65		
Power Output Connector	Seetronic Powerkon IP65		Seetronic Powerkon IP65		
Power Cable plug	Edison		Local plug		

Light Source

Type	Color	Quantity	Power	Current	Lifespan
LED	Red	18	3 W	722 mA	50,000 hours
	Green	18			
	Blue	19			
	Amber	18			
	Lime green	18			

Photometrics

Color Temperature Range	Color Temperature at Full	CRI (3200 K)		
2800 to 6500 K	6031 K	86		
Lens Tube	Beam Angle	Field Angle	Lumens	Illuminance @ 5 m
5°	7°	7°	1,807	16,300 lux
10°	10°	10°	3,961	7,430 lux
14°	11°	14°	2,827	4,420 lux
19°	19°	19°	3,236	2,530 lux
26°	24°	26°	4,316	1,720 lux
36°	28°	34°	3,918	1,020 lux
50°	41°	51°	3,813	457 lux
15°–30°	13° to 24°	15° to 29°	4,028 to 1,553	4,260 lux to 1,620 lux
25°–50°	23° to 36°	26° to 50°	5,261 to 7,263	1,790 lux to 825 lux

Acoustics

Settings	Idle	Auto	On	Off	Silent
Sound pressure level (dBA @ 1 m)	1.0	16.8	19.6	13.8	25.6

Thermal

Maximum External Temperature	Cooling System
113 °F (45 °C)	Fan-assisted Convection

Control

DMX I/O Connector	Channel Range
3- and 5-pin XLR	1, 3, 5, 7, 10, 12, 13, 16, or 3 (HSV)

Ordering

Product Name	Item Name	Item Code	UPC Number
Ovation E-910FC	OVATIONE910FC-2	03032177	781462225254



Contact Us

General Information	Technical Support
Chauvet World Headquarters	
Address: 3360 Davie Rd., Suite 509 Davie, FL 33314 Voice: (954) 577-4455 Fax: (954) 929-5560 Toll Free: (800) 762-1084	Voice: (844) 393-7575 Fax: (954) 756-8015 Email: chauvetcs@chauvetlighting.com Website: www.chauvetprofessional.com
Chauvet U.K.	
Address: Pod 1 EVO Park Little Oak Drive, Sherwood Park Nottinghamshire, NG15 0EB UK Voice: +44 (0) 1773 511115 Fax: +44 (0) 1773 511110	Email: UKtech@chauvetlighting.eu Website: www.chauvetprofessional.eu
Chauvet Benelux	
Address: Vaartlaan 9 9800 Deinze Belgium Voice: +32 9 388 93 97	Email: BNLtech@chauvetlighting.eu Website: www.chauvetprofessional.eu
Chauvet France	
Address: 3, Rue Ampère 91380 Chilly-Mazarin France Voice: +33 1 78 85 33 59	Email: FRtech@chauvetlighting.fr Website: www.chauvetprofessional.eu
Chauvet Germany	
Address: Bruno-Bürgel-Str. 11 28759 Bremen Germany Voice: +49 421 62 60 20	Email: DEtech@chauvetlighting.de Website: www.chauvetprofessional.eu
Chauvet Mexico	
Address: Av. de las Partidas 34 - 3B (Entrance by Calle 2) Zona Industrial Lerma Lerma, Edo. de México, CP 52000 Voice: +52 (728) 690-2010	Email: servicio@chauvet.com.mx Website: www.chauvetprofessional.mx

Warranty & Returns

For warranty terms and conditions and return information, please visit our website.

For customers in the United States and Mexico: www.chauvetlighting.com/warranty-registration.

For customers in the United Kingdom, Republic of Ireland, Belgium, the Netherlands, Luxembourg, France, and Germany: www.chauvetlighting.eu/warranty-registration.